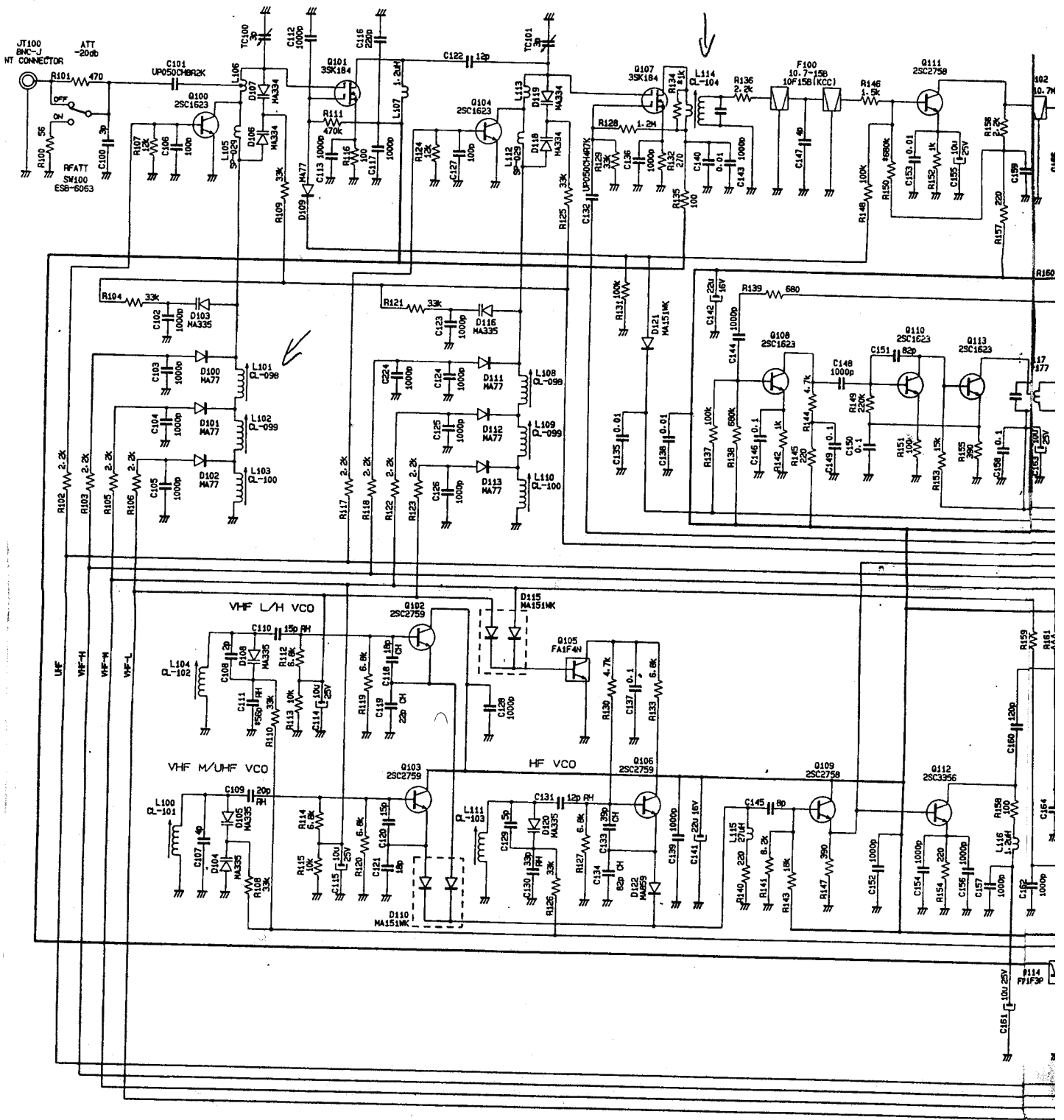
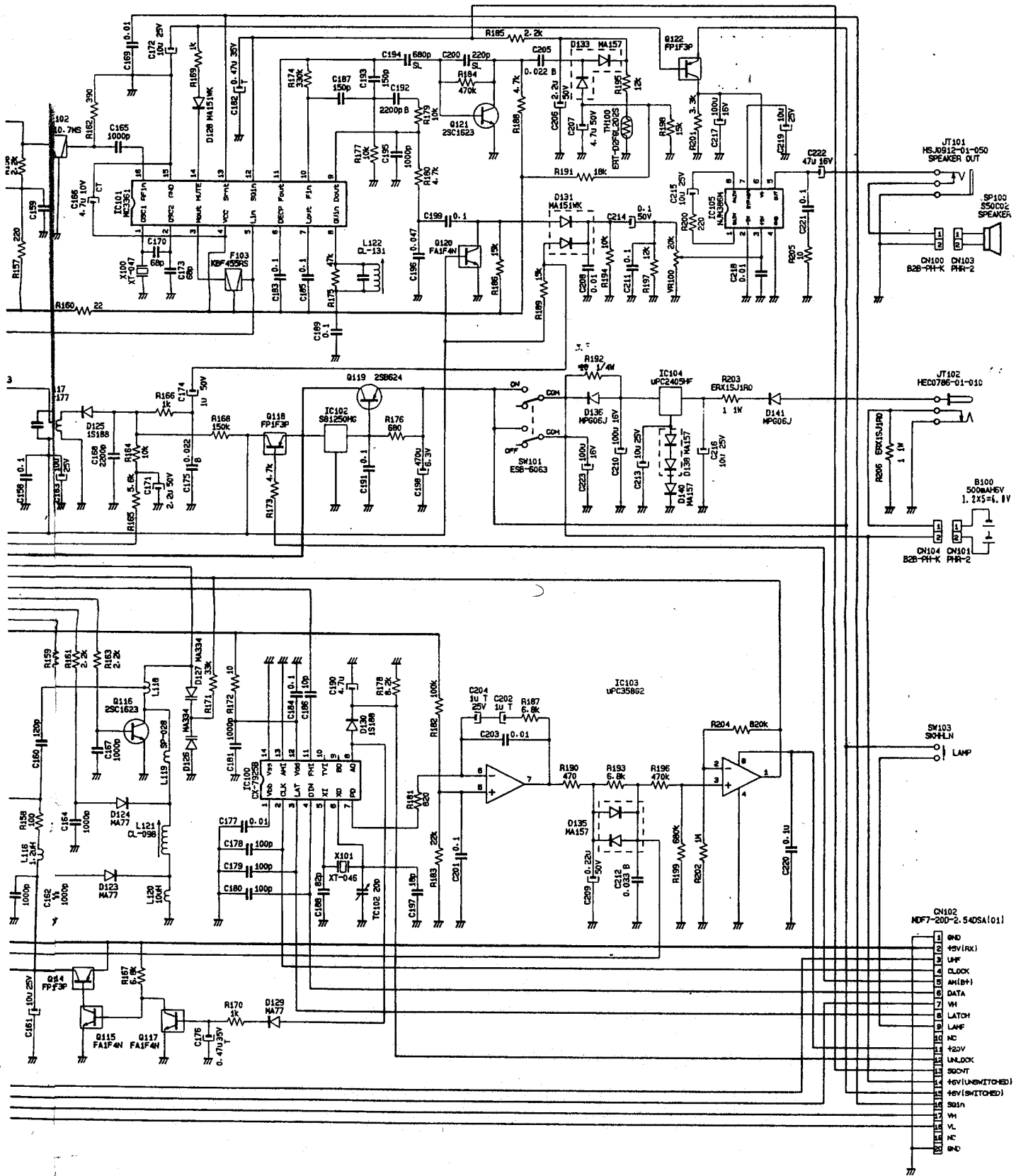


ICCS CORPORATION

Tolerance		Title	
		BJ-200mk4/Analog	
		SCHEMATIC DIAGRAM	
DATE		REVISION	
Checked by	Planned by	Drawn by	Material
92-01-27	古川	黒沢	Final
Drawn No.		Scale	
SD-0020			
Unit	mm	Angle	3/8"
P.3			

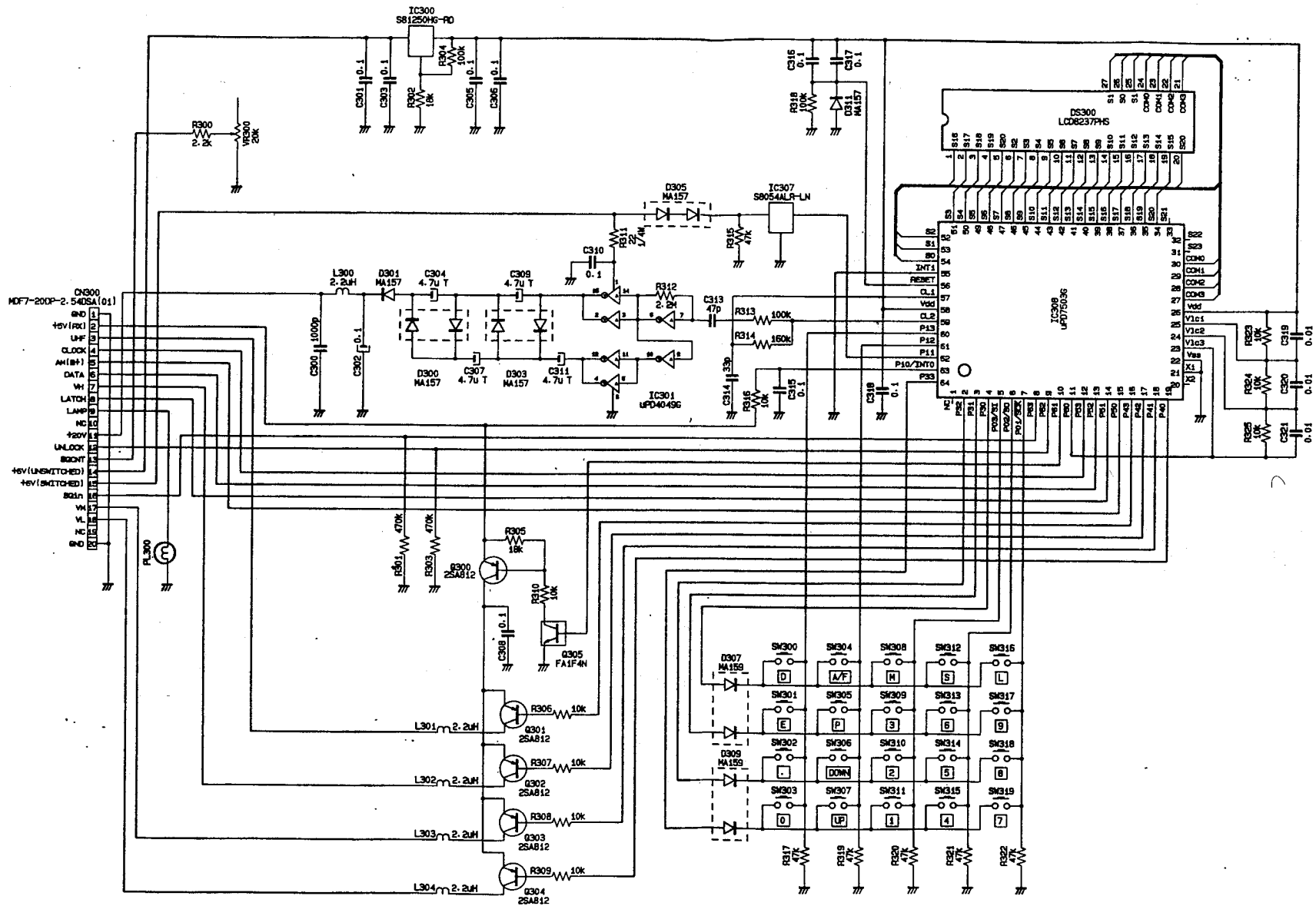


* 印ハ調整用



DATE	REVISION	SIGN	Drawn No.	Part No.	Scale	Unit	Angle
92-03-30			SD-0020			mm	3rd
Checked By	Planned By	Drawn By	Material	Finish			
吉川		黒天					

Tolerances
 Title **BJT-200mk4/Analog**
SCEMATIC DIAGRAM
 Drawn No. **SD-0020**
 Part No.
 Scale
 Unit mm
 Angle 3rd



Tolerance			
Title		BU-200mk4/Digital	
		SCHEMATIC DIAGRAM	
DATE	REVISION	DRWN	SD-0019
Checked By S.YOSHIDAMA	Flashed By S2-04-01	Drawn By A.KUROSAWA	Drawn Date
	Finish	Material	Sheet
			Scale
		Unit	Angle
		mm	3rd