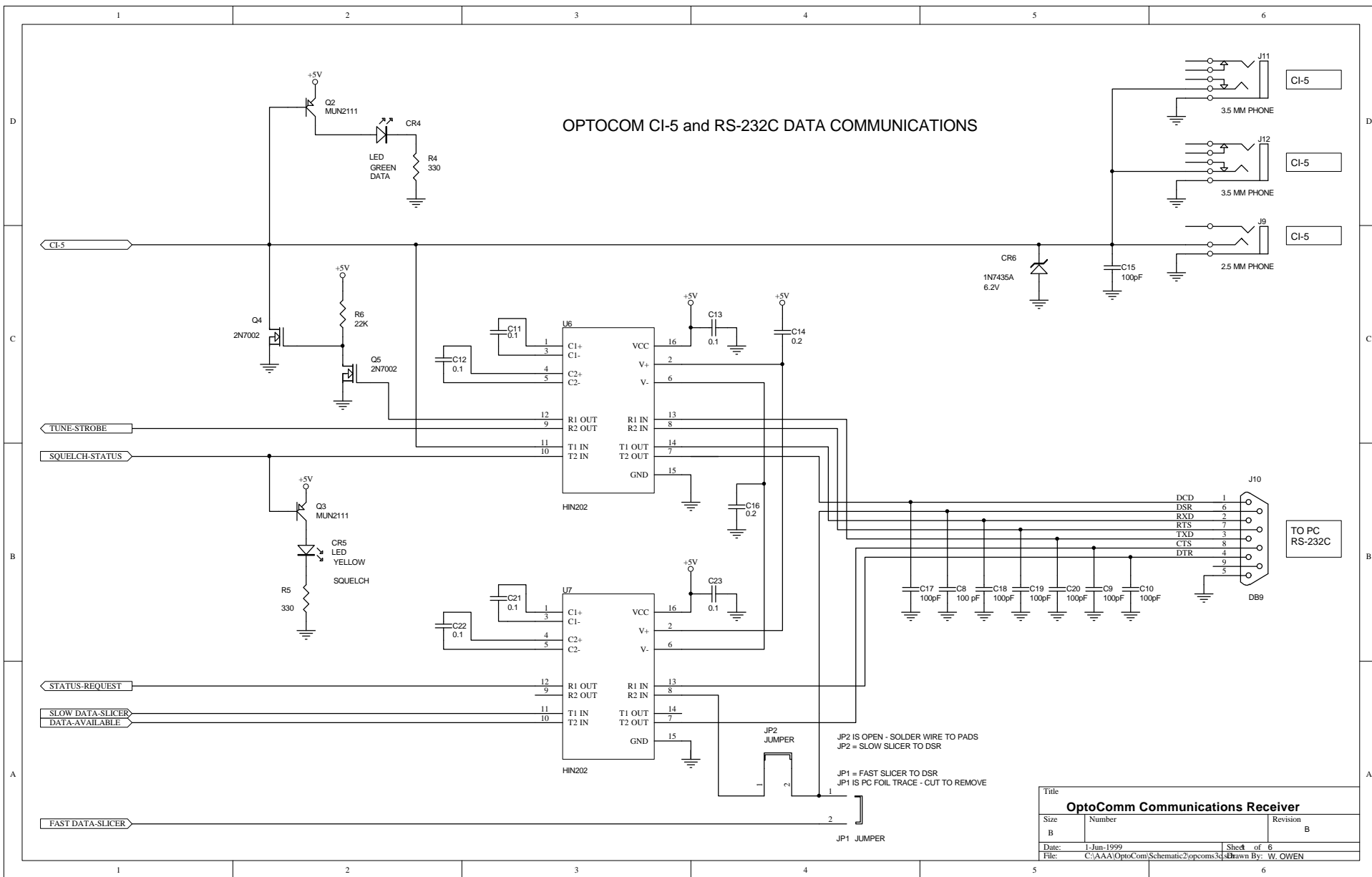


OPTOCOM CI-5 and RS-232C DATA COMMUNICATIONS



JP2 IS OPEN - SOLDER WIRE TO PADS
 JP2 = SLOW SLICER TO DSR

JP1 = FAST SLICER TO DSR
 JP1 IS PC FOIL TRACE - CUT TO REMOVE

Title		
OptoComm Communications Receiver		
Size	Number	Revision
B		B
Date:	1-Jun-1999	Sheet 4 of 6
File:	C:\AAA\OptoCom\Schematic2\opcsm3.sch Drawn By: W. OWEN	