

Service Manual

Radio

FM-LW-MW-SW ALL BAND RECEIVER

RF-B65DA

Color

(K) Black Type

• Please file and use this Service Manual together with the service manual for Model No. RF-B65D Order No. AD8902015C8.

• This Service Manual indicates the main differences between; Original RF-B65D (EG) and RF-B65DA (EG).

Area

Country Code	Area	Color
(EG)	F.R. Germany	(K)

CHANGES

■ SPECIFICATIONS

Frequency Range: SW: 1.615~26.1 kHz

RF-B65D (EG) (Original)



Frequency Range: SW: 1.615~29.999 kHz

RF-B65DA (EG)

■ REPLACEMENT PARTS LIST

Ref. No.	Description	Part Number		Remarks
		RF-B65D (EG) (Original)	RF-B65DA (EG)	
DIODES				
D17	DIODE	MA4051LRA	MA4047HRA	
COILS				
L27	ANT. COIL	RLF6019-0	RLF6D19-0	
TRANSFORMER				
T4	TRANSFORMER	RLI3A4-M	RLI3A001-M	
T5	TRANSFORMER	RLI3A4-M	RLI3A001-M	
RESISTOR				
R48	RESISTOR (1/10 W, 470)	RRJ6GCJ101TE	RRJ6GCJ471TE	
R87	RESISTOR (1/10 W, 220)	RRJ6GCJ471TE	RRJ6GCJ221TE	
R259	RESISTOR (1/10 W, 22 K)	—	RRJ6GCJ223TE	Added
R292	RESISTOR (1/10 W, 22 K)	RRJ6GCJ223TE	—	Deleted
CABINET AND CHASSIS				
3	REAR CABINET ASS'Y	RYFFB65DEG	RYFFB65DAEG	
4	STAND	RKL30ZA	RKL30ZA-0	
17	SCREW	XSHR17+2FZ	XSHR17+3	
19	TERMINAL	RJC3F0010ZC	RJC30010ZC	
41	SOCKET	RJSS4L4ZA-X	RJS4L4ZA-X	
83	FRONT CABINET ASS'Y	RYMFB65DEG	RYMFB65DAEG	
ACCESSORIES				
A4	INSTRUCTION MANUAL	RQT0046B	RQT0535-E	
A5	MEMORY CHANNEL SHEET	RQX9436YA	RQX9412ZA	
A6	SHORT WAVE GUIDE	RQX9454ZA	—	Deleted
PACKING MATERIAL				
P3	SLEEVE	RPK0032	RPK0163	

Panasonic

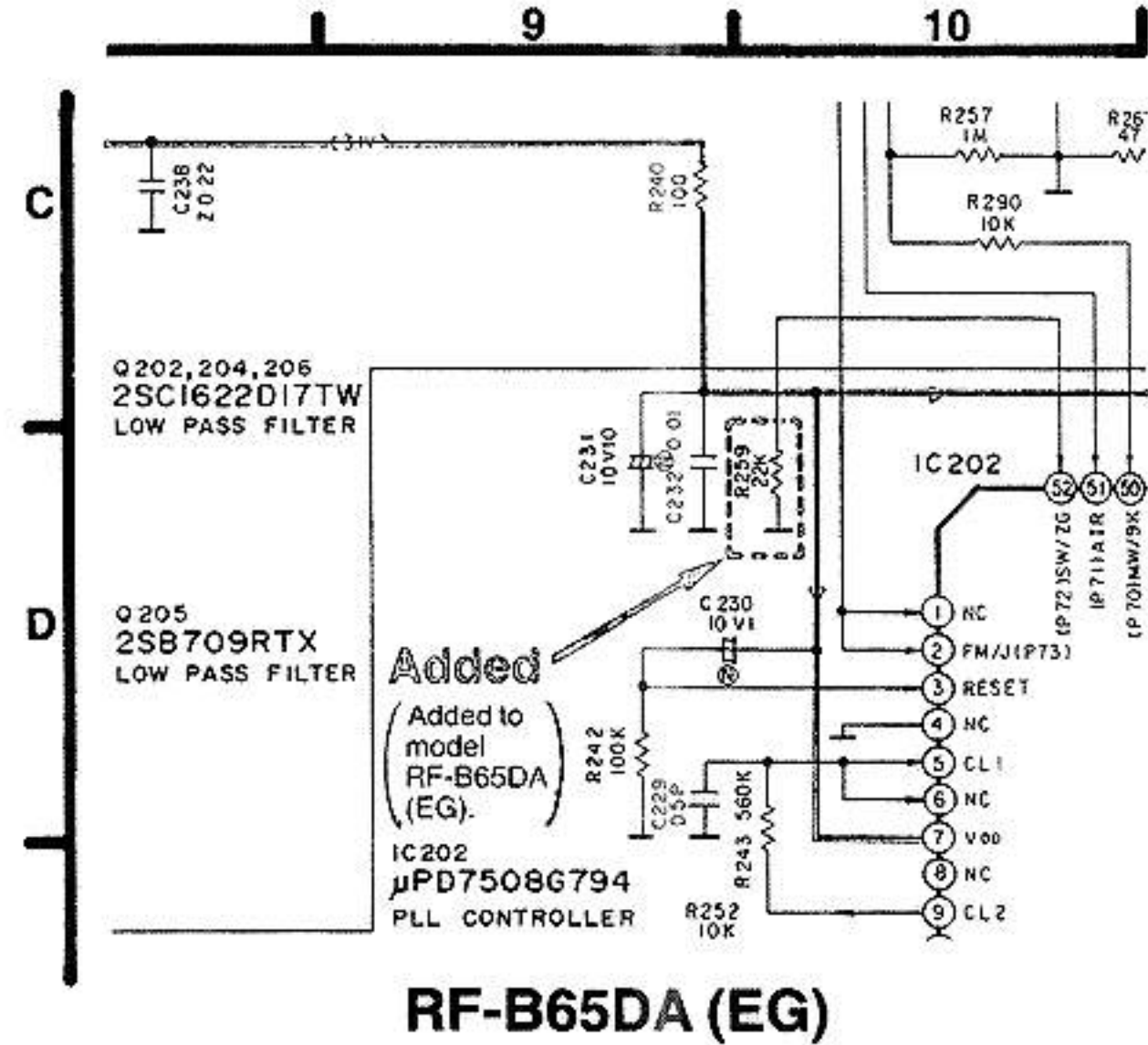
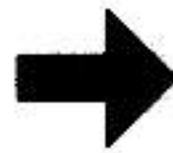
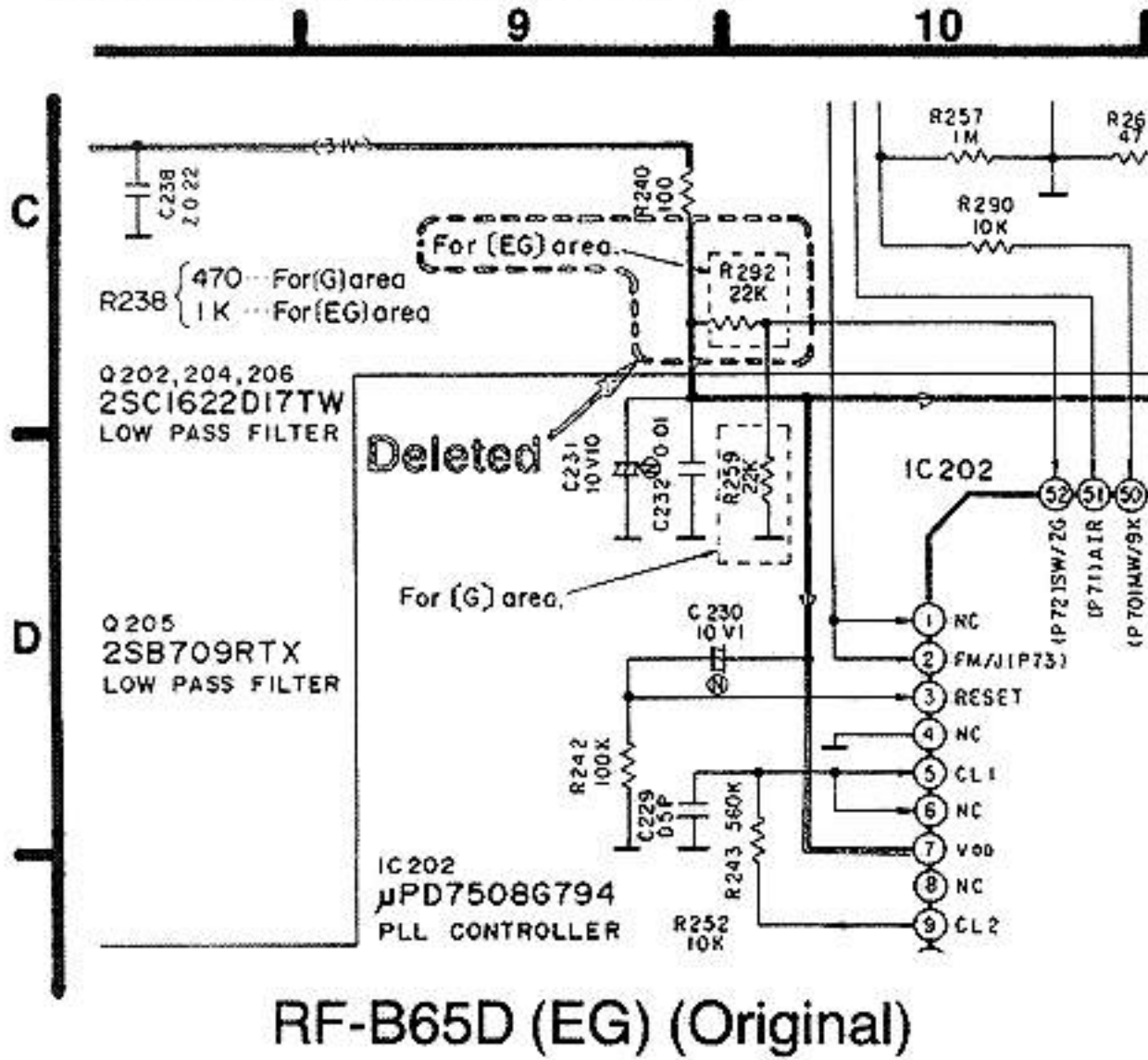
Matsushita Electric Industrial Co., Ltd.
Central P.O. Box 288, Osaka 530-91, Japan

●In the service manual for model RF-B65D, the part numbers of the resistor and capacitor below are wrong. They should be corrected as shown. The Schematic Diagram and Circuit Board and Wiring Connection Diagram are correct.

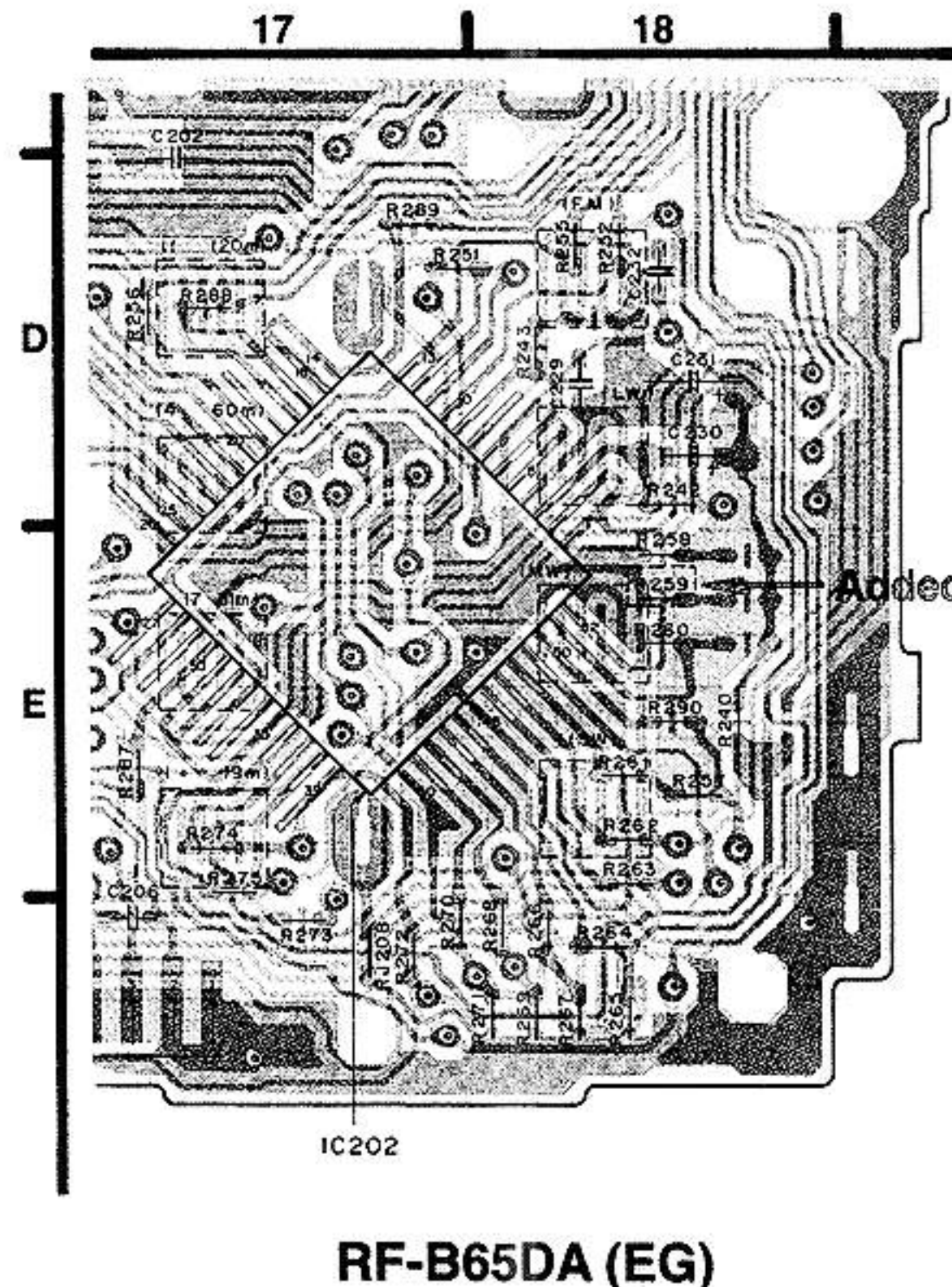
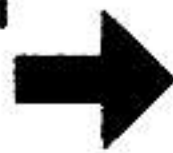
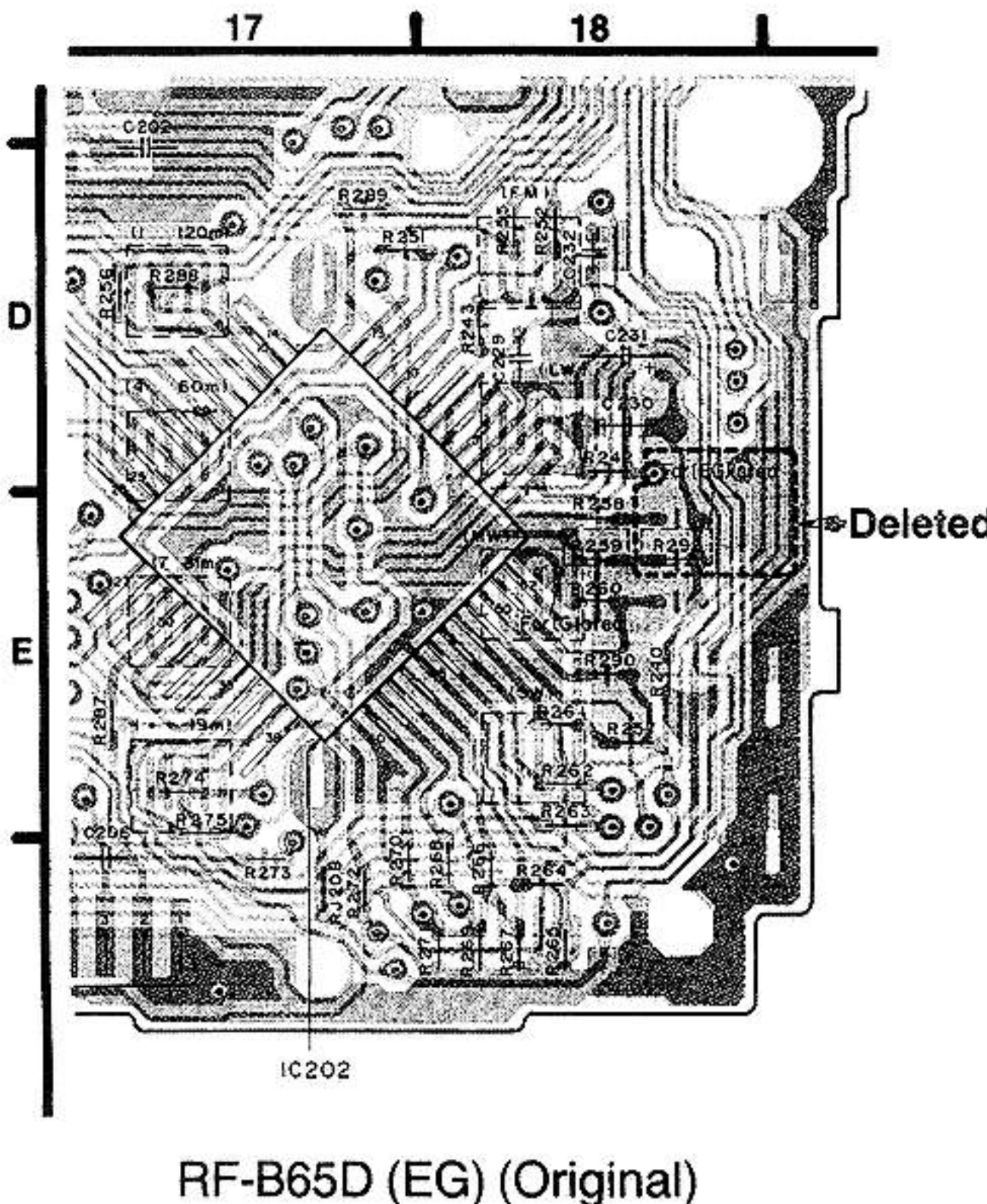
Ref. No.	Description	Part Number		Remarks
		RF-B65D (EG) (Original)	RF-B65DA (EG)	
RESISTOR				
R148	RESISTOR (1/10 W, 220)	—	RRJ6GCJ221TE	
CAPACITOR				
C208	CAPACITOR (50 V, 1)	ECEA1CKS100	ECEA1HKS010	

SCHEMATIC DIAGRAM

●for LCD circuit section (Page 7)



CIRCUIT BOARD AND WIRING CONNECTION DIAGRAM (Page 14)



MEASUREMENTS AND ADJUSTMENTS (Page 17)

■ CLOCK ALIGNMENT

BAND	FREQUENCY DISPLAY SETTING	FREQUENCY COUNTER	ADJUSTMENT (Refer to Fig. 5)	REMARKS																							
(16) SW	29,999 MHz...(G) 26,100 MHz...(EG) ↑ Changed	TP5 ...(+) TP6 ...(-)	CT201	Adjust the frequencies according to room temperature. <table border="1"> <thead> <tr> <th>Room Temperature</th> <th>Area</th> <th>Frequency</th> </tr> </thead> <tbody> <tr> <td rowspan="2">8°C ≤ t < 22°C</td> <td>(EG)</td> <td>81,945000 MHz ± 300 Hz</td> </tr> <tr> <td>(G)</td> <td>85,844000 MHz ± 300 Hz</td> </tr> <tr> <td rowspan="2">22°C ≤ t < 26°C</td> <td>(EG)</td> <td>81,944800 MHz ± 300 Hz</td> </tr> <tr> <td>(G)</td> <td>85,843800 MHz ± 300 Hz</td> </tr> <tr> <td rowspan="2">26°C ≤ t < 30°C</td> <td>(EG)</td> <td>81,944500 MHz ± 300 Hz</td> </tr> <tr> <td>(G)</td> <td>85,843500 MHz ± 300 Hz</td> </tr> <tr> <td rowspan="2">30°C ≤ t < 33°C</td> <td>(EG)</td> <td>81,944100 MHz ± 300 Hz</td> </tr> <tr> <td>(G)</td> <td>85,843100 MHz ± 300 Hz</td> </tr> </tbody> </table>	Room Temperature	Area	Frequency	8°C ≤ t < 22°C	(EG)	81,945000 MHz ± 300 Hz	(G)	85,844000 MHz ± 300 Hz	22°C ≤ t < 26°C	(EG)	81,944800 MHz ± 300 Hz	(G)	85,843800 MHz ± 300 Hz	26°C ≤ t < 30°C	(EG)	81,944500 MHz ± 300 Hz	(G)	85,843500 MHz ± 300 Hz	30°C ≤ t < 33°C	(EG)	81,944100 MHz ± 300 Hz	(G)	85,843100 MHz ± 300 Hz
Room Temperature	Area	Frequency																									
8°C ≤ t < 22°C	(EG)	81,945000 MHz ± 300 Hz																									
	(G)	85,844000 MHz ± 300 Hz																									
22°C ≤ t < 26°C	(EG)	81,944800 MHz ± 300 Hz																									
	(G)	85,843800 MHz ± 300 Hz																									
26°C ≤ t < 30°C	(EG)	81,944500 MHz ± 300 Hz																									
	(G)	85,843500 MHz ± 300 Hz																									
30°C ≤ t < 33°C	(EG)	81,944100 MHz ± 300 Hz																									
	(G)	85,843100 MHz ± 300 Hz																									

RF-B65D (EG) (Original)



■ CLOCK ALIGNMENT

BAND	FREQUENCY DISPLAY SETTING	FREQUENCY COUNTER	ADJUSTMENT (Refer to Fig. 5)	REMARKS										
(16) SW	29,999 MHz	TP5 ...(+) TP6 ...(-)	CT201	Adjust the frequencies according to room temperature. <table border="1"> <thead> <tr> <th>Room Temperature</th> <th>Frequency</th> </tr> </thead> <tbody> <tr> <td>8°C ≤ t < 22°C</td> <td>85,844000 MHz ± 300 Hz</td> </tr> <tr> <td>22°C ≤ t < 26°C</td> <td>85,843800 MHz ± 300 Hz</td> </tr> <tr> <td>26°C ≤ t < 30°C</td> <td>85,843500 MHz ± 300 Hz</td> </tr> <tr> <td>30°C ≤ t < 33°C</td> <td>85,843100 MHz ± 300 Hz</td> </tr> </tbody> </table>	Room Temperature	Frequency	8°C ≤ t < 22°C	85,844000 MHz ± 300 Hz	22°C ≤ t < 26°C	85,843800 MHz ± 300 Hz	26°C ≤ t < 30°C	85,843500 MHz ± 300 Hz	30°C ≤ t < 33°C	85,843100 MHz ± 300 Hz
Room Temperature	Frequency													
8°C ≤ t < 22°C	85,844000 MHz ± 300 Hz													
22°C ≤ t < 26°C	85,843800 MHz ± 300 Hz													
26°C ≤ t < 30°C	85,843500 MHz ± 300 Hz													
30°C ≤ t < 33°C	85,843100 MHz ± 300 Hz													

RF-B65DA (EG)

