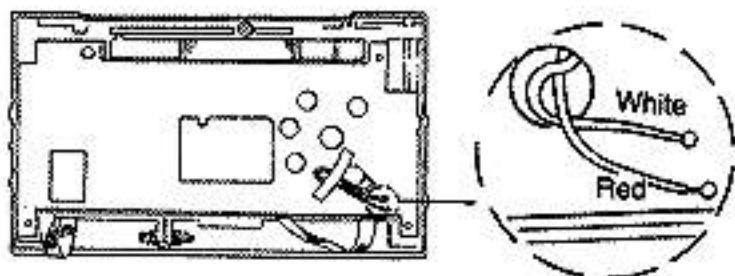
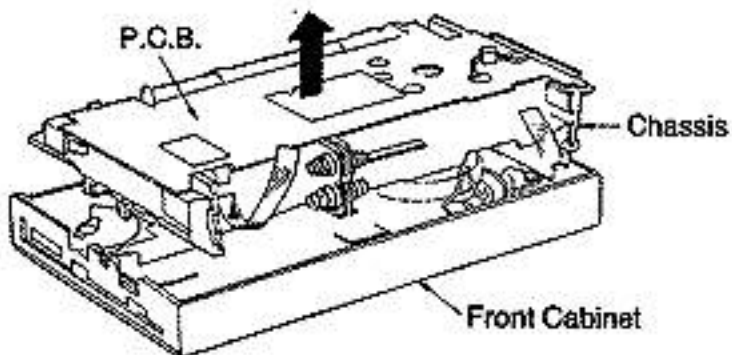


Procedure

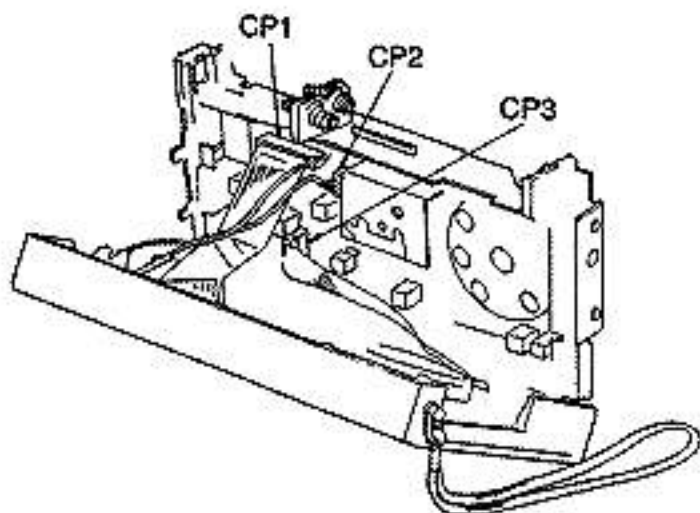
1→2→3→4



1. Remove the solder from speaker terminal.



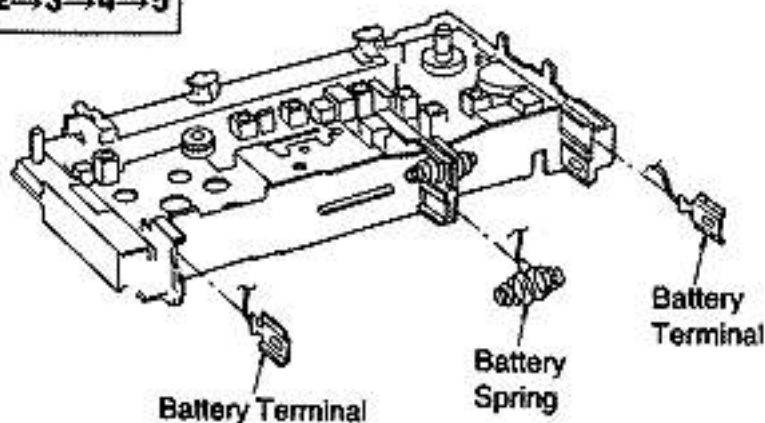
2. Remove the chassis and P.C.B.



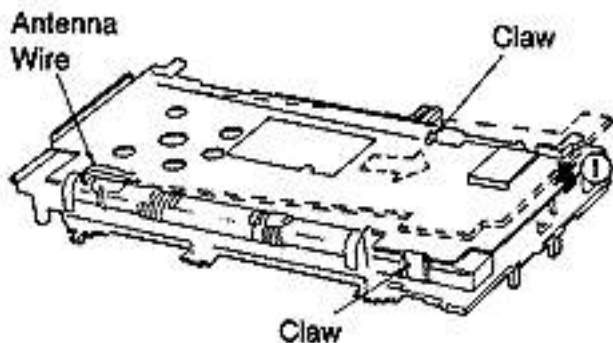
3. Remove the connector (CP1, CP2, CP3).

Procedure

1→2→3→4→5



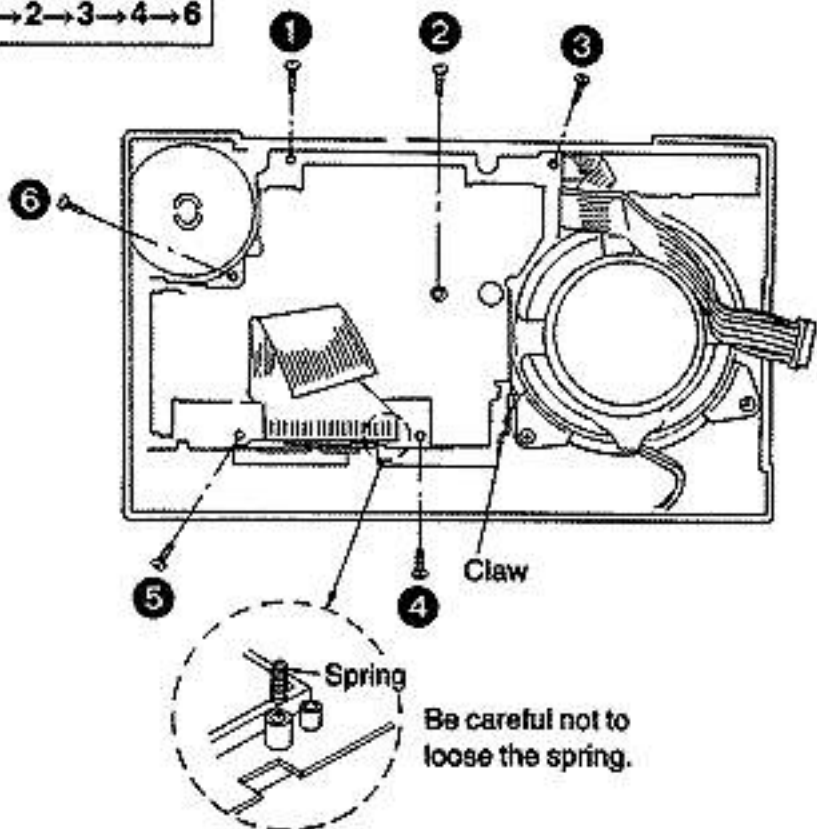
1. Remove the 2 battery terminals and battery spring.



2. Remove the 2 claws and then remove the Main P.C.B. in the direction of the arrow.

Procedure

1→2→3→4→5→6



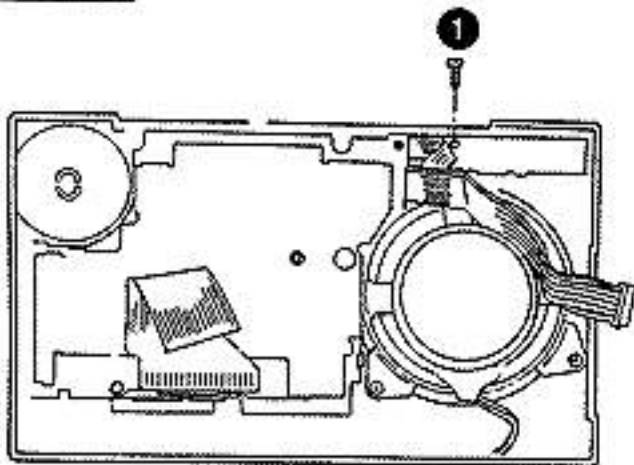
1. Remove the 6 screws (1~6).
2. Remove the claw.

Ref. No.
7

Removal of the Power Switch P.C.B.

Procedure

1→2→3→4→7



• Remove the screw (1).

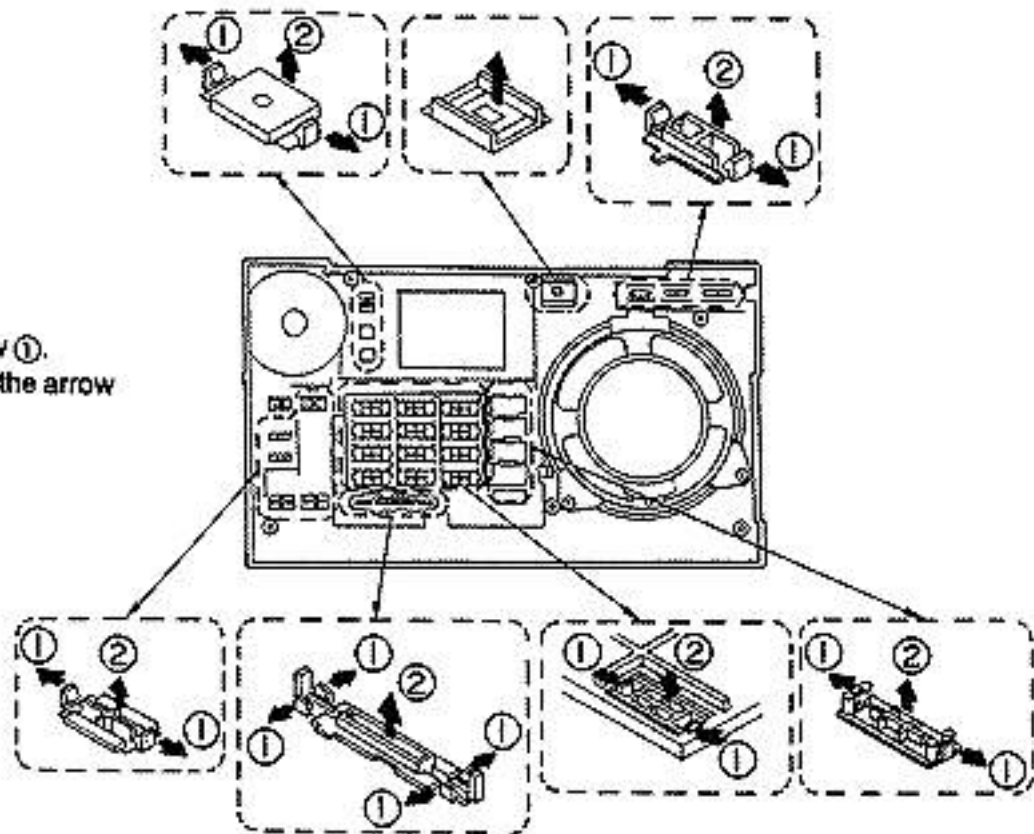
Ref. No.
8

Removal of the Buttons and Knobs

Procedure

1→2→3→4→6
→8

1. Remove the claws in the direction of the arrow ①.
2. Remove the button or knob in the direction of the arrow ②.

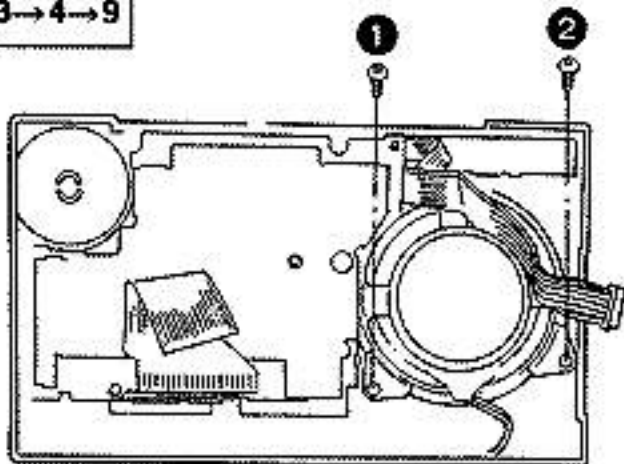


Ref. No.
9

Removal of the Speaker

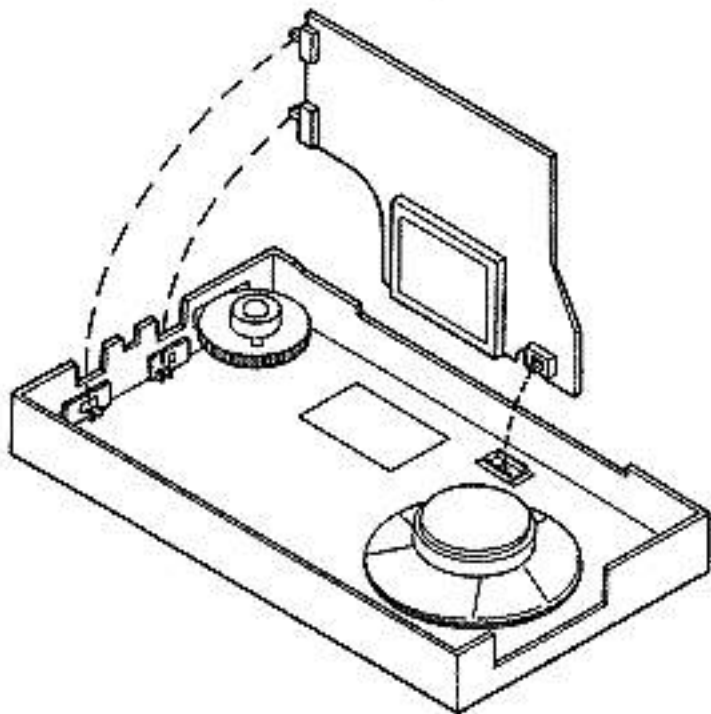
Procedure

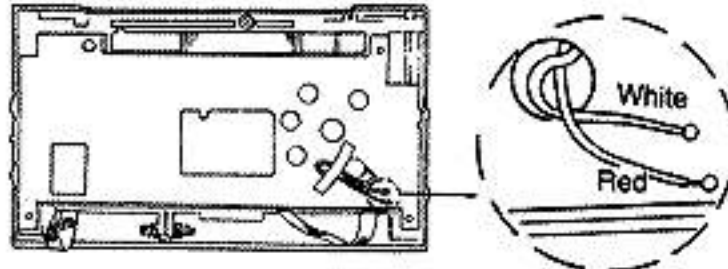
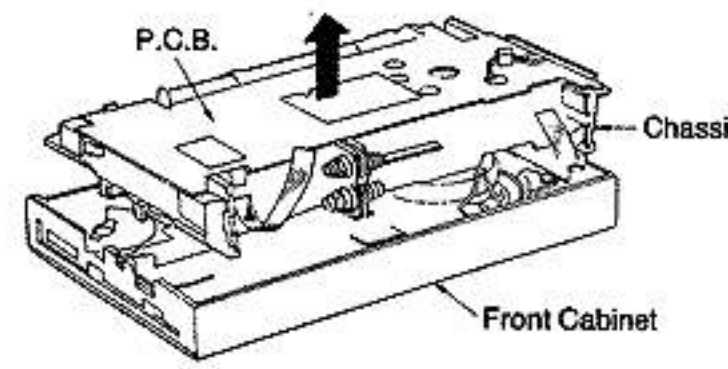
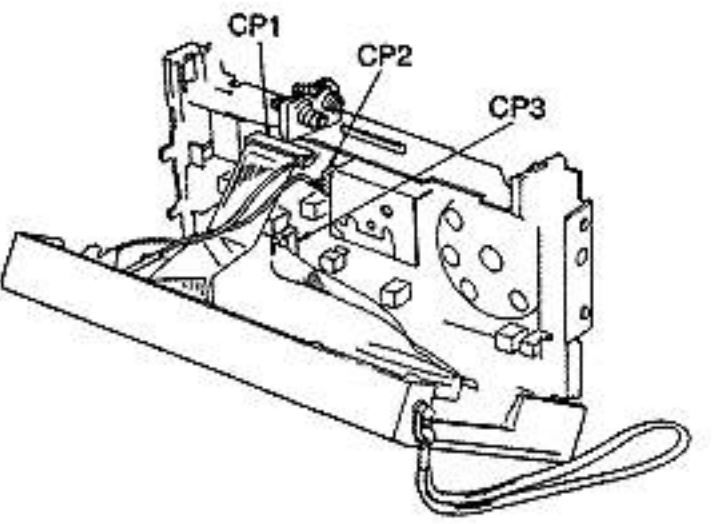
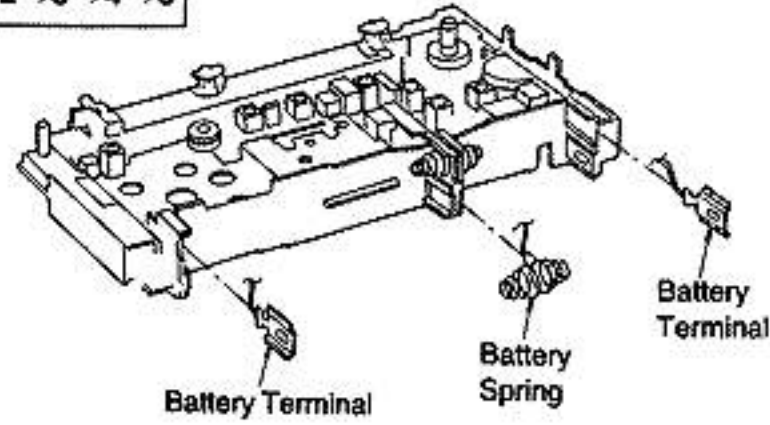
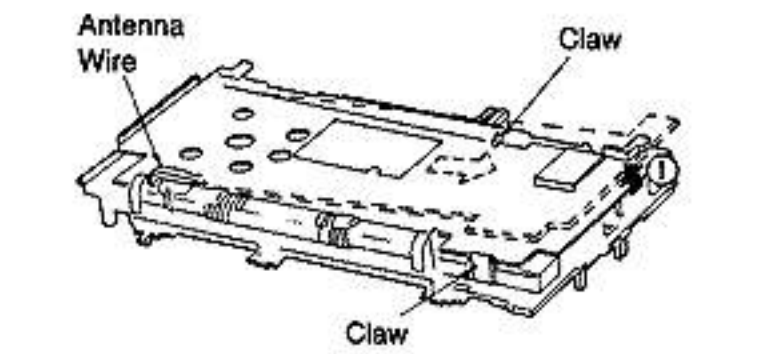
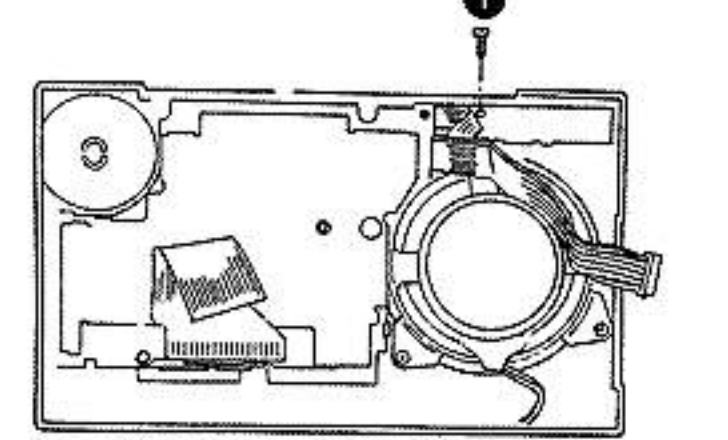
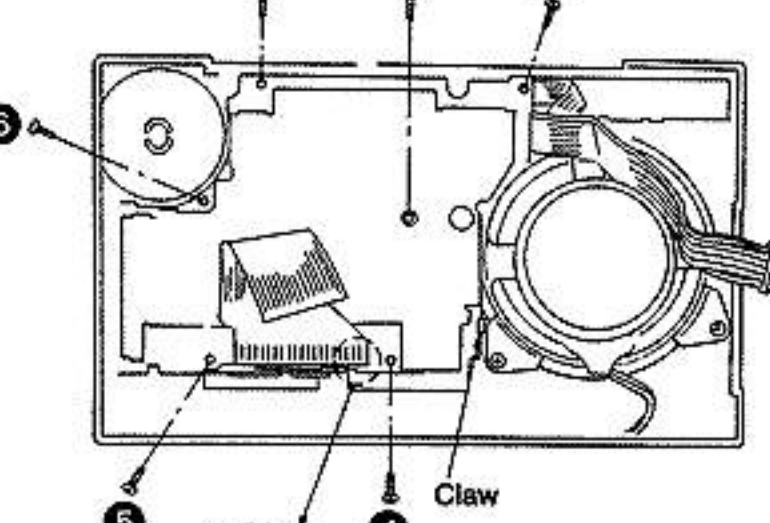
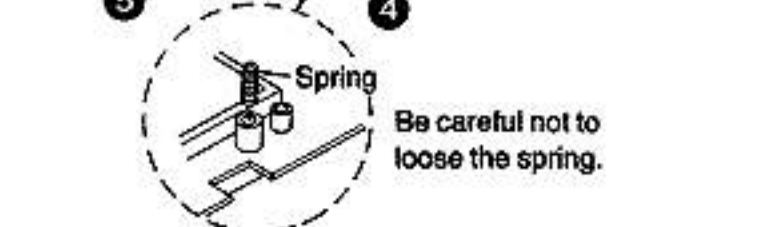
1→2→3→4→9

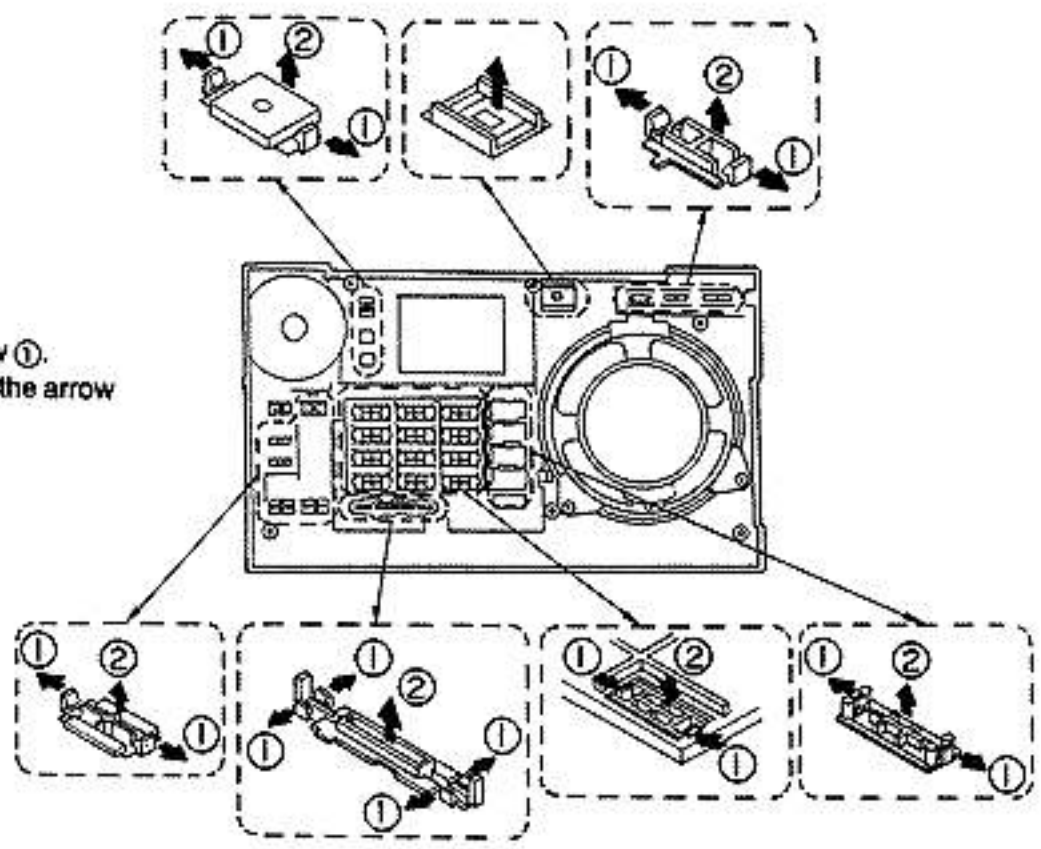
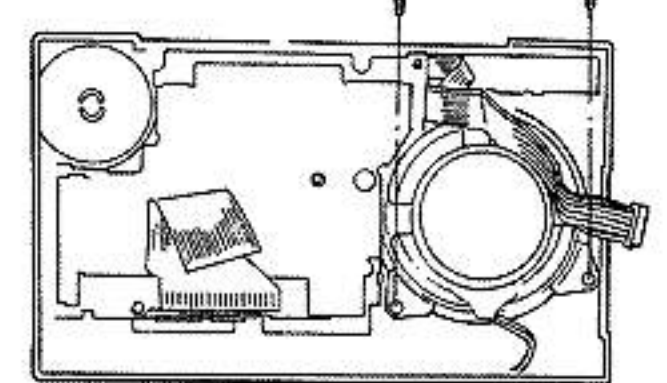
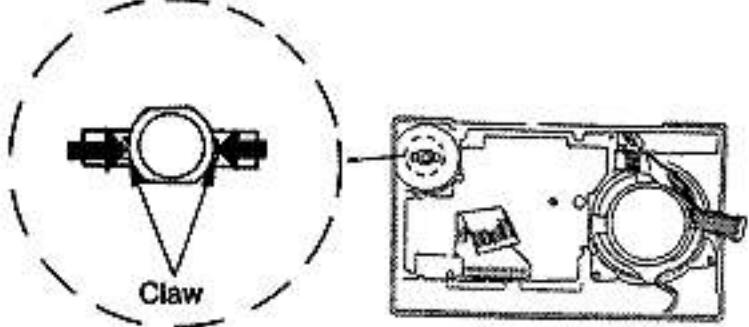
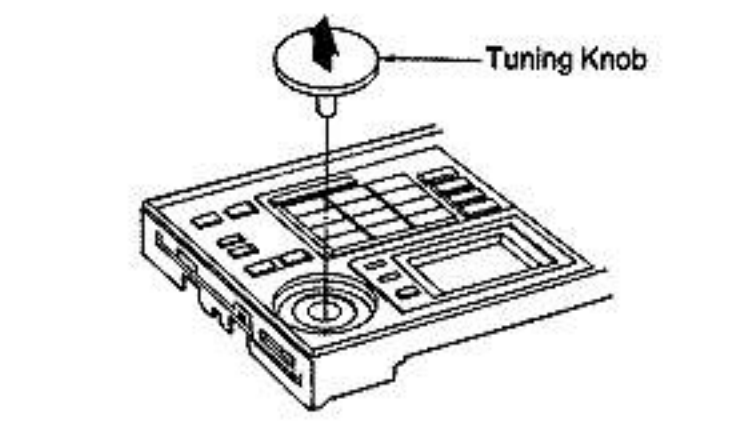


● Remove the 2 screws (1, 2).

■ L.C.D. P.C.B. Assembly



Ref. No. 4	Removal of the Chassis	Ref. No. 5	Removal of the Main P.C.B.
Procedure 1→2→3→4		Procedure 1→2→3→4→5	
 <p>1. Remove the solder from speaker terminal.</p>  <p>2. Remove the chassis and P.C.B.</p>  <p>3. Remove the connector (CP1, CP2, CP3).</p>		 <p>1. Remove the 2 battery terminals and battery spring.</p>  <p>2. Remove the 2 claws and then remove the Main P.C.B. in the direction of the arrow.</p>	
Ref. No. 7	Removal of the Power Switch P.C.B.	Ref. No. 6	Removal of the L.C.D. P.C.B.
Procedure 1→2→3→4→7		Procedure 1→2→3→4→6	
 <p>•Remove the screw (1).</p>		  <p>1. Remove the 6 screws (1~6). 2. Remove the claw.</p>	

Ref. No. 8	Removal of the Buttons and Knobs		
Procedure 1→2→3→4→6→8			
 <p>1. Remove the claws in the direction of the arrow ①. 2. Remove the button or knob in the direction of the arrow ②.</p>			
Ref. No. 9	Removal of the Speaker	Ref. No. 10	Removal of the Tuning Knob
Procedure 1→2→3→4→9		Procedure 1→2→3→4→10	
 <p>•Remove the 2 screws (1, 2).</p>		 <p>1. Remove the 2 claws in the direction of the arrow.</p>  <p>2. Remove the Tuning Knob in the direction of the arrow.</p>	
<p>■ L.C.D. P.C.B. Assembly</p> 