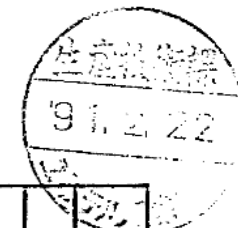
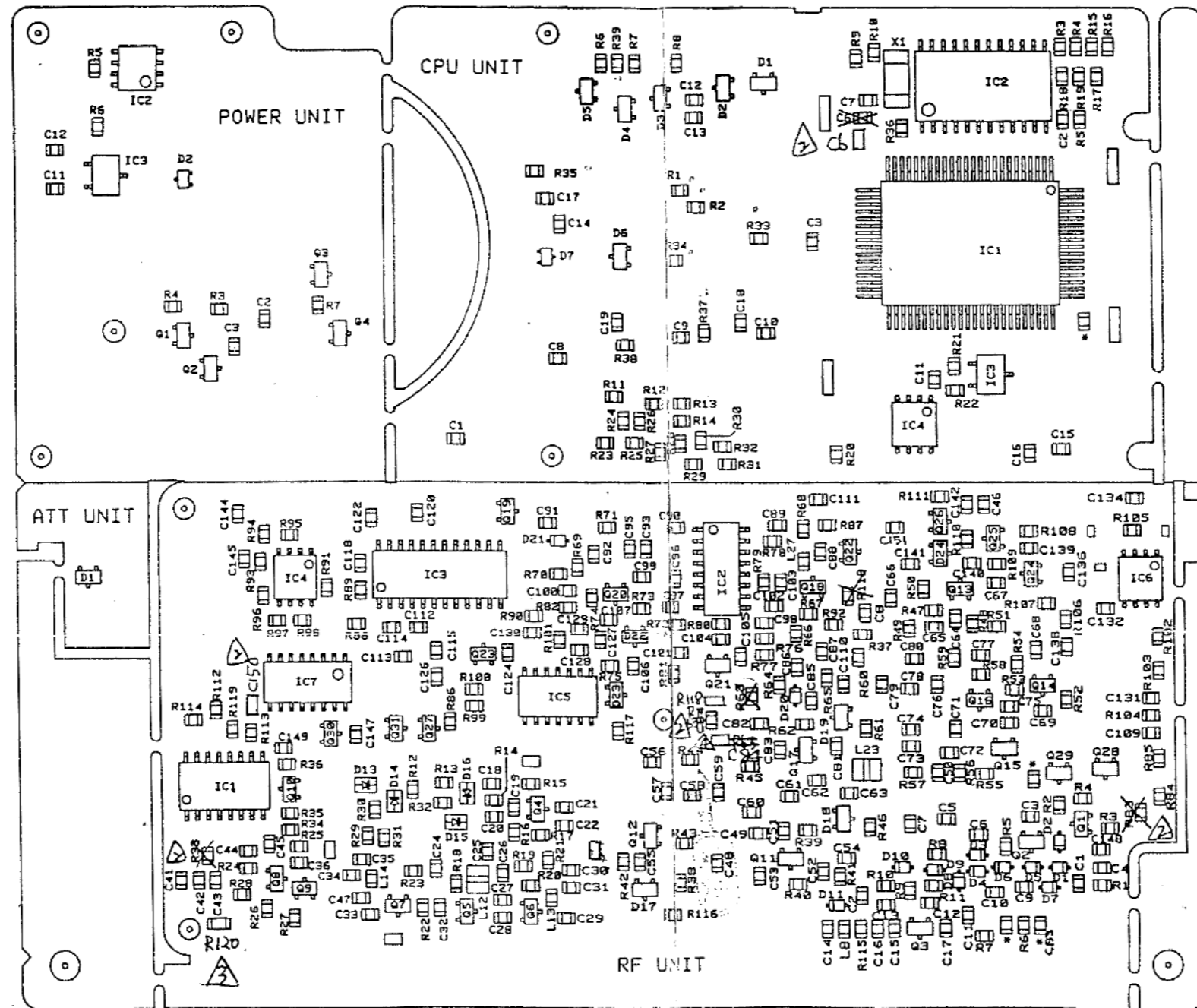


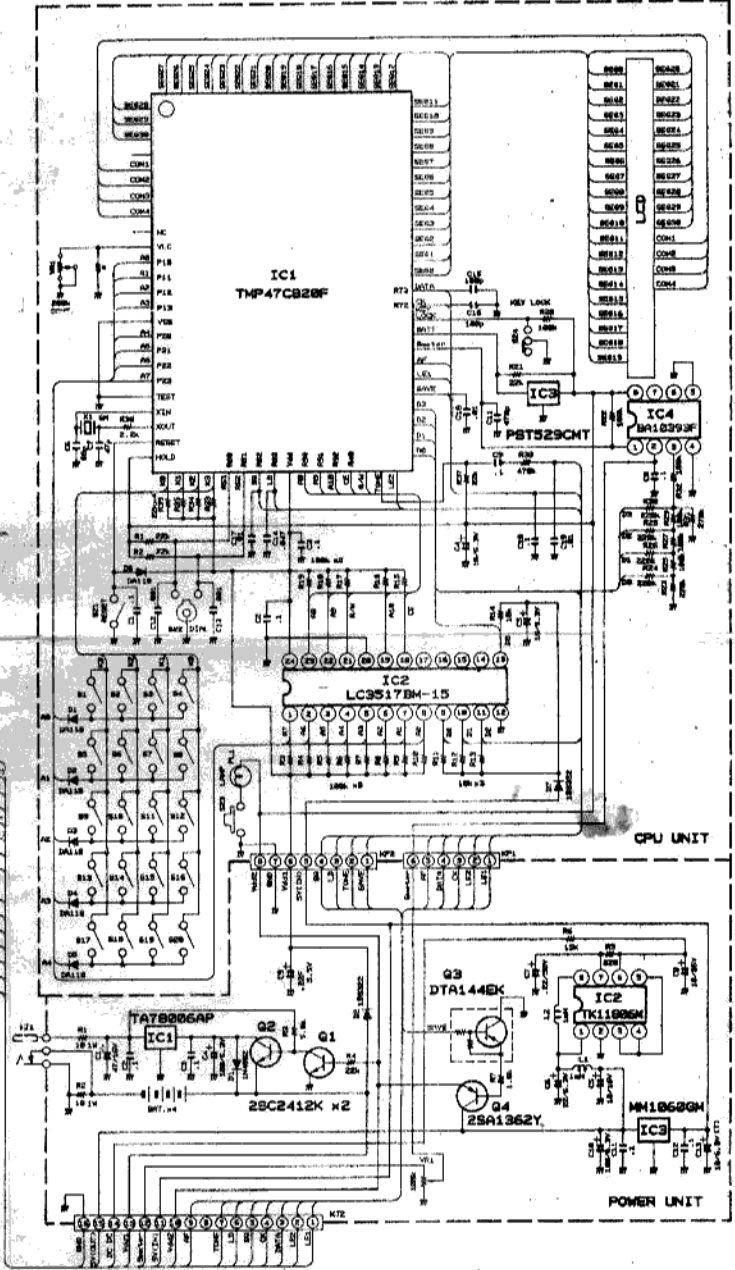
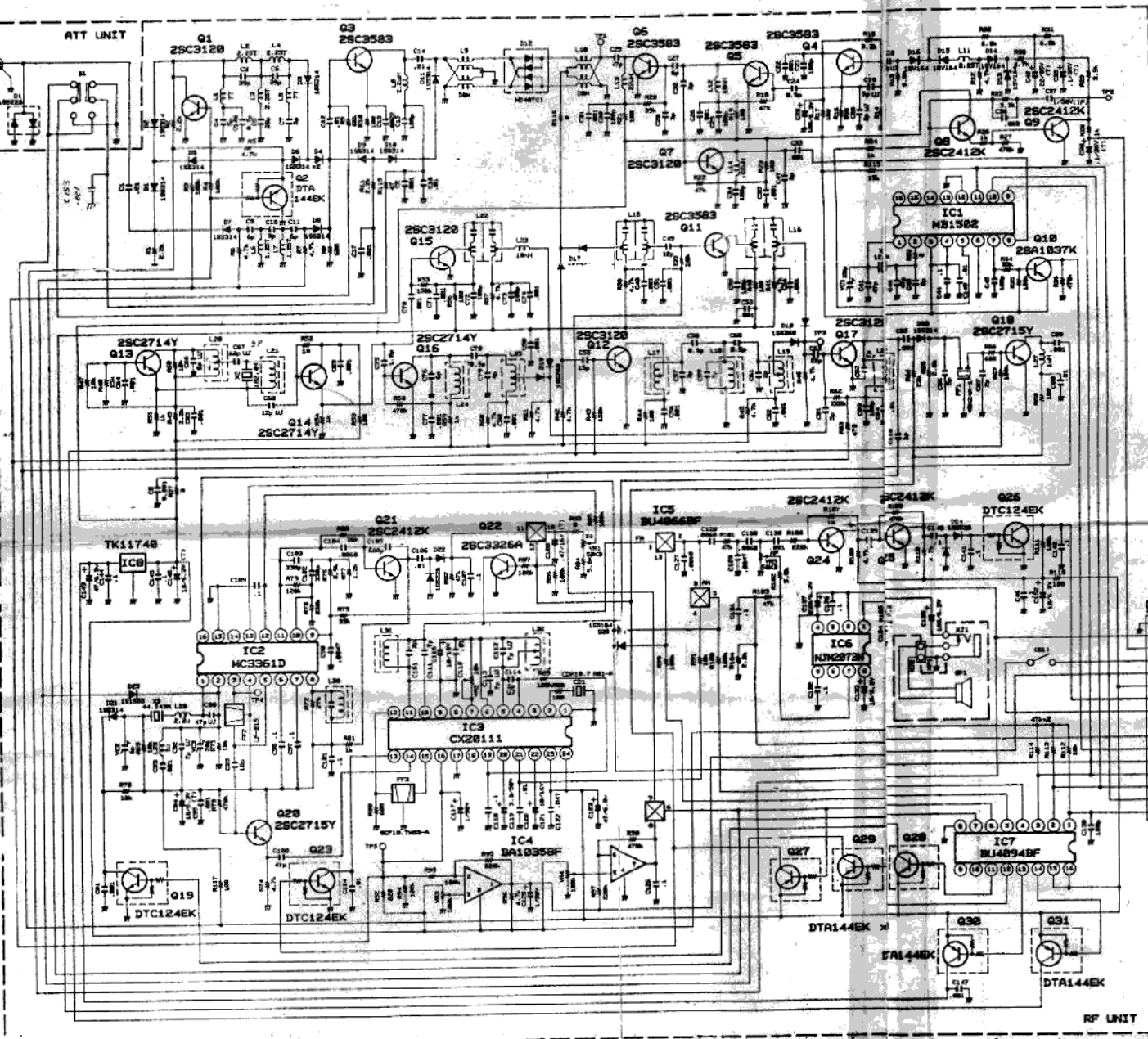
RF P 1000.1
 LD 8 - 449.300
 HD 400 - 829.300
 HE 820 - 1200

VCO P 1000.1
 LD 800.2 - 1000.15
 HD 877.4 - 1007.39
 HE 802.8 - 1072.6

開発部
 90.10.24
 202711000



治工具・測定器		数量		
1			△ 91.2.22	部品位置変更
2			△ 91.2.13	E-5262, R120 150KΩ 追加
3			△ 90.12.20	E-5250 100P32 追加 5251 0Ω 廃止
副資材		数量		
1			△ 90.10.23	E-5232 31 C153 16.00
2			90.10.2	本図番登録
3			NO	日付 改訂 承認 担当
4			TITLE	P279 7.7° Ref
			NO.	5



開発部
90.10.24
三洋電機株式会社

MVT-7000 SPARE PARTS

NO.	YP PART NO.	DESCRIPTION	Q'TY	UNIT PRICE
1	0B00030050AA	3 x 5 PN/H SCREW	1.00	2
2	0B08030040BB	3 x 4 BND/H SCREW (BLACK)	2.00	3
3	0C00020040BB1	2 x 4 PN/H PRECISION SCREW (BL)	10.00	4
4	0N01030024AA2	HEXAGONAL NUT	1.00	2
5	0T08020040BC2	2 x 4 BND/H TAPPING SCREW	12.00	3
6	2H0117	BATTERY SHEET	1.00	66
7	2H0180C	ID PLATE	1.00	36
8	2H0198	SIDE PLATE	1.00	30
9	2H0199	FRONT PLATE	1.00	29
10	2L0392	L-SHAPE FITTING	1.00	19
11	2L0485	SHIELD CASE B	1.00	30
12	2L0616	SHIELD CASE F	1.00	33
13	2L0628	BATTERY TERMINAL NO. 1	1.00	84
14	2L0629	BATTERY TERMINAL NO. 2	1.00	84
15	2L0630	BATTERY TERMINAL NO. 3	1.00	84
16	2L0631	BATTERY TERMINAL NO. 4	1.00	83
17	2L0632	BATTERY TERMINAL NO. 5	1.00	42
18	2L0633	SHIELD PLATE	1.00	50
19	2L0634	ANTENNA TERMINAL	1.00	42
20	2L0635	LCD HOLDER	1.00	32
21	2L0636	BELT CLIP	1.00	144
22	2L0637	GROUND PLATE	1.00	20
23	2N0248	SPEAKER SHEET	1.00	5
24	2N0315	SPONGE FOR KEY BUTTONS	1.00	15
25	2N0316	SPONGE FOR LAMP SWITCH	1.00	4

NO.	YP PART NO.	DESCRIPTION	Q'TY	UNIT PRICE
26	2P0073	PLATE A	3.00	19
27	2P0074	PLATE B	2.00	23
28	2P0075	PLTE C	1.00	33
29	3S0094	VOLUME NUT	3.00	27
30	4P0786	VOLUME KNOB	2.00	17
31	4P0953	FRONT CASE	1.00	375
32	4P0954	BOTTOM CASE	1.00	261
33	4P0955	UPPER CASE	1.00	120
34	4P0956	BATTERY CASE COVER	1.00	96
35	4P0957	VOLUME KNOB A	1.00	18
36	4P0958	KEY LOCK SLIDE SWITCH	1.00	38
37	4P0959	KEY BUTTON A	5.00	21
38	4P0960	KEY BUTTON B	5.00	21
39	4P0961	KEY BUTTON C	5.00	21
40	4P0962	KEY BUTTON D	5.00	21
41	4P0963	PUSH BUTTON	1.00	15
42	4P0964	LAMP BUTTON	1.00	21
43	4P0965	LCD LENS	1.00	120
44	4P0966	DIFFUSIVE LENS	1.00	75
45	4R0140	RUBBER CONNECTOR 46 x 4.1 x 2	2.00	57
46	4R0149	SPEAKER RUBBER	1.00	17
47	5A0240	HAND STRAP	1.00	144
48	6BMV701101	GIFT BOX (MVT-7000)	1.00	264
49	6BMV710201	CARTON BOX (MVT-7000)	0.10	525
50	6CMV7H01	WARRANTY CARD (MVT-7000)	1.00	53
51	6CMV4I01	QUESTIONNAIRE CARD	1.00	15

NO.	YP PART NO.	DESCRIPTION	Q'TY	UNIT PRICE
52	6CMX5I01	SERVICE BRANCH LISTINGS	1.00	10
53	6HP094	PAD	0.20	57
54	6HS025	PROTECTION MAT	1.00	10
55	6LMV7E01MV7	SERIAL NUMBER LABEL	2.00	10
56	6P04x008x020	PLASTIC POUCH 04x80x200	1.00	3
57	6P04x015x025	PLASTIC POUCH 04x150x250	1.00	4
58	6P06x007x013	PLASTIC POUCH 06x70x130	2.00	3
59	6P06x010x025	PLASTIC POUCH 06x100x250	1.00	4
60	6QMV701	UPPER CUSHION	1.00	36
61	6QMV702	UNDER CUSHION	1.00	180
62	6SMV5G03	CAUTION CARD	1.00	12
63	6SMV7S01	OWNER'S MANUAL (MYT-7000)	1.00	300
64	A206	CAR CONNECTOR CORD	1.00	510
65	A211	AC ADAPTOR 12V200mA	1.00	1,470
66	BES5R5H224	GOLD CAPACITOR 5.5V0.22F	1.00	255
67	BNA600F	Ni-Cd BATTERY AA600F	4.00	297
68	CCPB14711HXOK	CHIP CERAMIC CAPACITOR 471B	1.00	4
69	CCPB16811HXOK	CHIP CERAMIC CAPACITOR 681B	1.00	4
70	CCPB21021HXOK	CHIP CERAMIC CAPACITOR 102B	33.00	4
71	CCPB22221HXOK	CHIP CERAMIC CAPACITOR 222B	1.00	4
72	CCPB24721HXOK	CHIP CERAMIC CAPACITOR 472B	2.00	5
73	CCPB26821HXOK	CHIP CERAMIC CAPACITOR 682B	4.00	5
74	CCPB31031HXOK	CHIP CERAMIC CAPACITOR 103B	14.00	6
75	CCPB32231EXOK	CHIP CERAMIC CAPACITOR 223B	1.00	6
76	CCPB34731EXOK	CHIP CERAMIC CAPACITOR 473B	2.00	10
77	CCPB41041EXOK	CHIP CERAMIC CAPACITOR 104B	29.00	14

NO.	YP PART NO.	DESCRIPTION	Q'TY	UNIT PRICE
78	CCPC00101HXOC	CHIP CERAMIC CAPACITOR 1PCH	1.00	5
79	CCPC00201HXOC	CHIP CERAMIC CAPACITOR 2PCH	4.00	5
80	CCPC00301HXOC	CHIP CERAMIC CAPACITOR 3PCH	5.00	5
81	CCPC00401HXOC	CHIP CERAMIC CAPACITOR 4PCH	1.00	5
82	CCPC00501HXOC	CHIP CERAMIC CAPACITOR 5PCH	5.00	5
83	CCPC00601HXOD	CHIP CERAMIC CAPACITOR 6PCH	4.00	5
84	CCPC00701HXOD	CHIP CERAMIC CAPACITOR 7PCH	2.00	5
85	CCPC00R51HXOC	CHIP CERAMIC CAPACITOR 0.5PCH	5.00	5
86	CCPC01001HXOD	CHIP CERAMIC CAPACITOR 10PCH	1.00	5
87	CCPC01201HXOJ	CHIP CERAMIC CAPACITOR 12PCH	1.00	5
88	CCPC01501HXOJ	CHIP CERAMIC CAPACITOR 15PCH	1.00	5
89	CCPC01R51HXOC	CHIP CERAMIC CAPACITOR 1.5PCH	1.00	5
90	CCPC02201HXOJ	CHIP CERAMIC CAPACITOR 22PCH	1.00	5
91	CCPC03901HXOJ	CHIP CERAMIC CAPACITOR 39PCH	4.00	5
92	CCPC04701HXOJ	CHIP CERAMIC CAPACITOR 47PCH	3.00	5
93	CCPC11011HXOJ	CHIP CERAMIC CAPACITOR 100PCH	15.00	5
94	CCPC13311HXOJ	CHIP CERAMIC CAPACITOR 330PCH	2.00	6
95	CCPU00201HXOC	CHIP CERAMIC CAPACITOR 2PUJ	2.00	5
96	CCPU00401HXOC	CHIP CERAMIC CAPACITOR 4PUJ	1.00	5
97	CCPU00501HXOC	CHIP CERAMIC CAPACITOR 5PUJ	1.00	5
98	CCPU00701HXOD	CHIP CERAMIC CAPACITOR 7PUJ	3.00	5
99	CCPU00801HXOD	CHIP CERAMIC CAPACITOR 8PUJ	1.00	5
100	CCPU01201HXOJ	CHIP CERAMIC CAPACITOR 12PUJ	1.00	5
101	CCPU03901HXOJ	CHIP CERAMIC CAPACITOR 39PUJ	1.00	5
102	CCPU04701HXOJ	CHIP CERAMIC CAPACITOR 47PUJ	1.00	5
103	CD0042241HCBM	ELECTROLYTIC CAPACITOR 50V0.22 (4x7)	1.00	9

NO.	YP PART NO.	DESCRIPTION	Q'TY	UNIT PRICE
104	CD0051051HCBM	ELECTROLYTIC CAPACITOR 50V1 (4x7)	2.00	9
105	CD0053351HCBM	ELECTROLYTIC CAPACITOR 50V3.3 (4x7)	1.00	9
106	CD0061060JAAM	ELECTROLYTIC CAPACITOR 6.3V10 (3x5)	4.00	15
107	CD0061061CCBM	ELECTROLYTIC CAPACITOR 16V10 (4x7)	3.00	9
108	CD0061061VDBM	ELECTROLYTIC CAPACITOR 35V10 (5x7)	1.00	11
109	CD0062260JCBM	ELECTROLYTIC CAPACITOR 6.3V22 (4x7)	1.00	9
110	CD0064760JCBM	ELECTROLYTIC CAPACITOR 6.3V47 (4x7)	2.00	10
111	CD0064761CDBM	ELECTROLYTIC CAPACITOR 16V47 (5x7)	1.00	13
112	CD0071070JDBM	ELECTROLYTIC CAP. 6.3V100 (5x7)	4.00	12
113	CD0072270JEBM	ELECTROLYTIC CAP. 6.3V220 (6.3x7)	1.00	15
114	CM0051051HVOJ	FILM CAPACITOR 50V1 ECQVIH105JZ	1.00	78
115	CT0041041VVOK	TANTALUM CAPACITOR 35V0.1	2.00	21
116	CT0042241VVOK	TANTALUM CAPACITOR 35V0.22	1.00	21
117	CT0044741VVOK	TANTALUM CAPACITOR 16V0.47	1.00	21
118	CT0061060JVOK	TANTALUM CAPACITOR 6.3V10	3.00	33
119	CV042	TRIMMER CAP. 6P ECV-1ZW06X53T	1.00	69
120	CV044	TRIMMER CAP. 20P ECV-1ZW20X53T	1.00	69
121	CV053	TRIMMER CAP. 20P VCT-35	1.00	53
122	DR004	EARPHONE KD-100	1.00	174
123	DS050	SOUNDUCER DMS-4050-MC	1.00	720
124	E052	TELESCOPIC ANTENNA	1.00	1,074
125	FE001	CERAMIC DISCRIMINATOR CDA10.7MG1-A	1.00	53
126	FF040	CERAMIC FILTER LF-B15	1.00	180
127	FF041	CERAMIC FILTER SFE10.7MS3-A	1.00	45
128	FF044	CRYSTAL FILTER 45M	1.00	1,905

NO.	YP PART NO.	DESCRIPTION	Q'TY	UNIT PRICE
129	F0074	CRYSTAL RESONATOR 44.545MHz	1.00	585
130	F0082	CRYSTAL RESONATOR 12.8MHz	1.00	1,110
131	F0083	CRYSTAL RESONATOR 182.4MHz	1.00	1,350
132	F0084 (TR)	RESONATOR 6.00M CSAC6.00MGCM	1.00	78
133	IE004	LCD DISPLAY RCD 1078T	1.00	705
134	IL014	LAMP (LIGHT) AXL-78	1.00	690
135	KJ086	DC JACK	1.00	51
136	KJ158	BNC CONNECTOR BNC-R83-86	1.00	90
137	KJ181	EARPHONE JACK HSJ1417-01-010	1.00	54
138	KJ185	2P CONNECTOR	1.00	35
139	KP185	16P PCB POST HKP-16FD7	1.00	192
140	KP189	2P POST B2B-PH	1.00	12
141	KP200	16P POST HKP-16M1	1.00	216
142	KP204	6P POST FFC-6TDM2B	1.00	69
143	KP205	8P POST FFC-8TDM2B	1.00	93
144	KT044	TEST PIN 704	1.00	5
145	LA051	AIR-CORE COIL 2 1/4T	3.00	18
146	LA052	AIR-CORE COIL 7T	2.00	17
147	LA053	AIR-CORE COIL 1 1/2T	2.00	18
148	LA056	AIR-CORE COIL 2 1/4T	1.00	20
149	LD081	TUNING COIL 45MHz	3.00	81
150	LD114	INDUCTOR 1uH SP0203	1.00	23
151	LD160 (TR)	CHIP COIL 10nH LQN2A	2.00	51
152	LD238	DBM COIL	2.00	255
153	LD242-1	RESONATOR COIL 165MHz	6.00	108

NO.	YP PART NO.	DESCRIPTION	Q'TY	UNIT PRICE
154	LD244	INDUCTOR 2.2uH SP0203	1.00	23
155	LD245	INDUCTOR 1mH SP0406	2.00	23
156	LD257	DISK COIL 455KHz	1.00	81
157	LD297 (TR)	CHIP INDUCTOR 2.2uH MLF2012	1.00	45
158	LD303	HERICAL FILTER 625MHz	2.00	540
159	LD304	HERICAL FILTER 545MHz	1.00	540
160	LD305	CHOKE COIL 182.4MHz	1.00	108
161	LD309 (TR)	CHIP INDUCTOR 1uH MLF2012	1.00	45
162	LD310 (TR)	CHIP INDUCTOR 0.22uH MLF2012	2.00	45
163	P279	PCB	1.00	1,320
164	R003A14J00100	METAL OXIDE RESISTOR 10 1W	2.00	9
165	ROP2A86J00000	CHIP RESISTOR 0 1/10W	2.00	2
166	ROP2A86J002R2	CHIP RESISTOR 2.2 1/10W	1.00	2
167	ROP2A86J00470	CHIP RESISTOR 47 1/10W	1.00	2
168	ROP2A86J10101	CHIP RESISTOR 100 1/10W	13.00	2
169	ROP2A86J10331	CHIP RESISTOR 330 1/10W	1.00	2
170	ROP2A86J10471	CHIP RESISTOR 470 1/10W	1.00	2
171	ROP2A86J10681	CHIP RESISTOR 680 1/10W	3.00	2
172	ROP2A86J10821	CHIP RESISTOR 820 1/10W	2.00	2
173	ROP2A86J20102	CHIP RESISTOR 1K 1/10W	7.00	2
174	ROP2A86J20122	CHIP RESISTOR 1.2K 1/10W	1.00	2
175	ROP2A86J20182	CHIP RESISTOR 1.8K 1/10W	1.00	2
176	ROP2A86J20222	CHIP RESISTOR 2.2K 1/10W	7.00	2
177	ROP2A86J20332	CHIP RESISTOR 3.3K 1/10W	2.00	2
178	ROP2A86J20392	CHIP RESISTOR 3.9K 1/10W	2.00	2

NO.	YP PART NO.	DESCRIPTION	Q'TY	UNIT PRICE
179	ROP2A86J20472	CHIP RESISTOR 4.7K 1/10W	17.00	2
180	ROP2A86J20562	CHIP RESISTOR 5.6K 1/10W	4.00	2
181	ROP2A86J20682	CHIP RESISTOR 6.8K 1/10W	3.00	2
182	ROP2A86J30103	CHIP RESISTOR 10K 1/10W	11.00	2
183	ROP2A86J30153	CHIP RESISTOR 15K 1/10W	3.00	2
184	ROP2A86J30223	CHIP RESISTOR 22K 1/10W	10.00	2
185	ROP2A86J30273	CHIP RESISTOR 27K 1/10W	1.00	2
186	ROP2A86J30333	CHIP RESISTOR 33K 1/10W	2.00	2
187	ROP2A86J30393	CHIP RESISTOR 39K 1/10W	1.00	2
188	ROP2A86J30473	CHIP RESISTOR 47K 1/10W	7.00	2
189	ROP2A86J30563	CHIP RESISTOR 56K 1/10W	1.00	2
190	ROP2A86J30683	CHIP RESISTOR 68K 1/10W	1.00	2
191	ROP2A86J40104	CHIP RESISTOR 100K 1/10W	33.00	2
192	ROP2A86J40124	CHIP RESISTOR 120K 1/10W	1.00	2
193	ROP2A86J40154	CHIP RESISTOR 150K 1/10W	3.00	2
194	ROP2A86J40224	CHIP RESISTOR 220K 1/10W	9.00	2
195	ROP2A86J40274	CHIP RESISTOR 270K 1/10W	1.00	2
196	ROP2A86J40334	CHIP RESISTOR 330K 1/10W	1.00	2
197	ROP2A86J40474	CHIP RESISTOR 470K 1/10W	7.00	2
198	ROP2A86J50105	CHIP RESISTOR 1M 1/10W	2.00	2
199	RV197	SEMI-FIXED RESISTOR 10KB RVX0607V	1.00	59
200	RV198	SEMI-FIXED RESISTOR 100KB RVX0607V	2.00	59
201	RV199	VOLUME 50KB RK0971110	1.00	174
202	RV200	VOLUME W/P. SWITCH50KB RK0971111	1.00	294
203	RV201	VOLUME 200KB (V07L)	1.00	174

NO.	YP PART NO.	DESCRIPTION	Q'TY	UNIT PRICE
204	RV202	SEMI-FIXED RESISTOR 100KB RH0411C	1.00	44
205	SS070	SLIDE SWITCH	1.00	66
206	SS099	TACT SWITCH	2.00	39
207	SS100	PUSH SWITCH 2-2 (LOCKING TYPE)	1.00	168
208	SS143	TACT SWITCH SKHLAA	20.00	38
209	SS151	ROTARY ENCODER EC09P20-04	1.00	474
210	TA1037KS (TR)	TRANSISTOR 2SA 1037KS	1.00	12
211	TA1362Y (TR)	TRANSISTOR 2SA 1362Y	1.00	30
212	TC2412KS (TR)	TRANSISTOR 2SC 2412KS	7.00	11
213	TC2714Y (TR)	TRANSISTOR 2SC 2714Y	3.00	23
214	TC2715Y (TR)	TRANSISTOR 2SC 2715Y	2.00	20
215	TC3120 (TR)	TRANSISTOR 2SC 3120	5.00	29
216	TC3326A (TR)	TRANSISTOR 2SC 3326A	1.00	30
217	TC3583R34 (TR)	TRANSISTOR 2SC 3583R34	5.00	108
218	TIBA10358FTR	IC BA 10358F (TYPE-1)	1.00	45
219	TIBA10393FTR	IC BA 10393F (TYPE-1)	1.00	45
220	TIBU4066BFTR	IC BU 4066BF (TYPE-1)	1.00	60
221	TIBU4094BFTR	IC BU 4094BF (TYPE-1)	1.00	105
222	TICX20111 (TR)	IC CX 20111 (TYPE-1)	1.00	270
223	TIDTA144EKTR	DIGITAL TRANSISTOR DTA 144EK	7.00	12
224	TIDTC124EKTR	DIGITAL TRANSISTOR DTC 124EK	3.00	12
225	TILC3517BM-15	MEMORY LC 3517BM-15	1.00	480
226	TIMB1502PFTR	IC MB 1502PF (TYPE-1)	1.00	1,560
227	TIMC3361DRTR	IC MC 3361DR (TYPE-1)	1.00	162
228	TIMM1060GMRTR	IC MM 1060GMR (TYPE-1)	1.00	108
229	TINJM2073MTR	IC NJM 2073M (TYPE-1)	1.00	180

NO.	YP PART NO.	DESCRIPTION	Q'TY	UNIT PRICE
230	TIPST529CMTR	IC PST 529CMT (TYPE-1)	1.00	114
231	TITA78006AP1	IC TA 78006AP (2-10A102A)	1.00	113
232	TITK11740	IC TK 11740	1.00	165
233	TITK11806MTR	IC TK 11806M (TYPE-1)	1.00	204
234	TO1N4002	DIODE 1N 4002	1.00	8
235	TO1S1555	DIODE 1S 1555	1.00	5
236	TO1SS184 (TR)	DIODE 1SS 184	1.00	12
237	TO1SS226 (TR)	DIODE 1SS 226	3.00	14
238	TO1SS268 (TR)	DIODE 1SS 268	3.00	24
239	TO1SS314 (TR)	DIODE 1SS 314	13.00	14
240	TO1SS322 (TR)	DIODE 1SS 322	2.00	26
241	TO1SV164 (TR)	DIODE 1SV 164	4.00	23
242	TODA118 (TR)	DIODE DA 118	6.00	11
243	TOND487C1	DIODE ND 487C1	1.00	210
244	TY4MM700	MPU TMP47C 820F-3634	1.00	1,275
245	WB01B105E	SHIELD WIRE (BLACK) L=105	1.00	6
246	WB01R95E	SHIELD WIRE (RED) L=95	1.00	6
247	WB15BR140H	SHIELD WIRE (BROWN) L=140	1.00	7
248	WB15O140H	SHIELD WIRE (ORANGE) L=140	1.00	7
249	WB15R140H	SHIELD WIRE (RED) L=140	1.00	7
250	WB19BL100H	SHIELD WIRE (BLUE) L=100	1.00	7
251	WB19G130H	SHIELD WIRE (GREEN) L=130	1.00	7
252	WB19GY120H	SHIELD WIRE (GRAY) L=120	1.00	7
253	WB19P115H	SHIELD WIRE (PURPLE) L=115	1.00	7
254	WB19Y120H	SHIELD WIRE (YELLOW) L=120	1.00	7