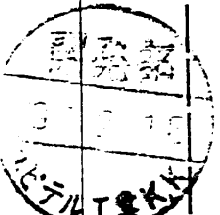
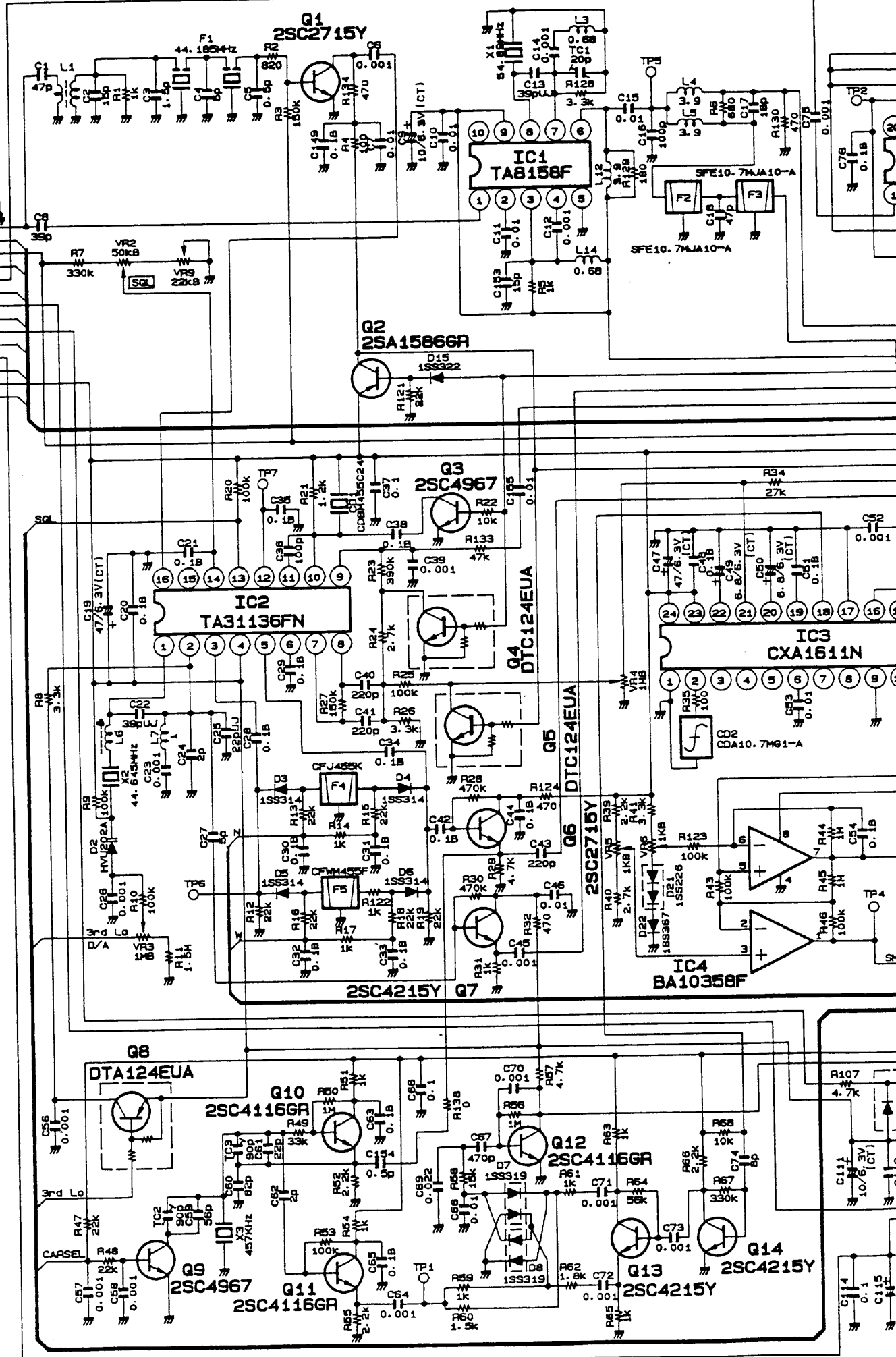
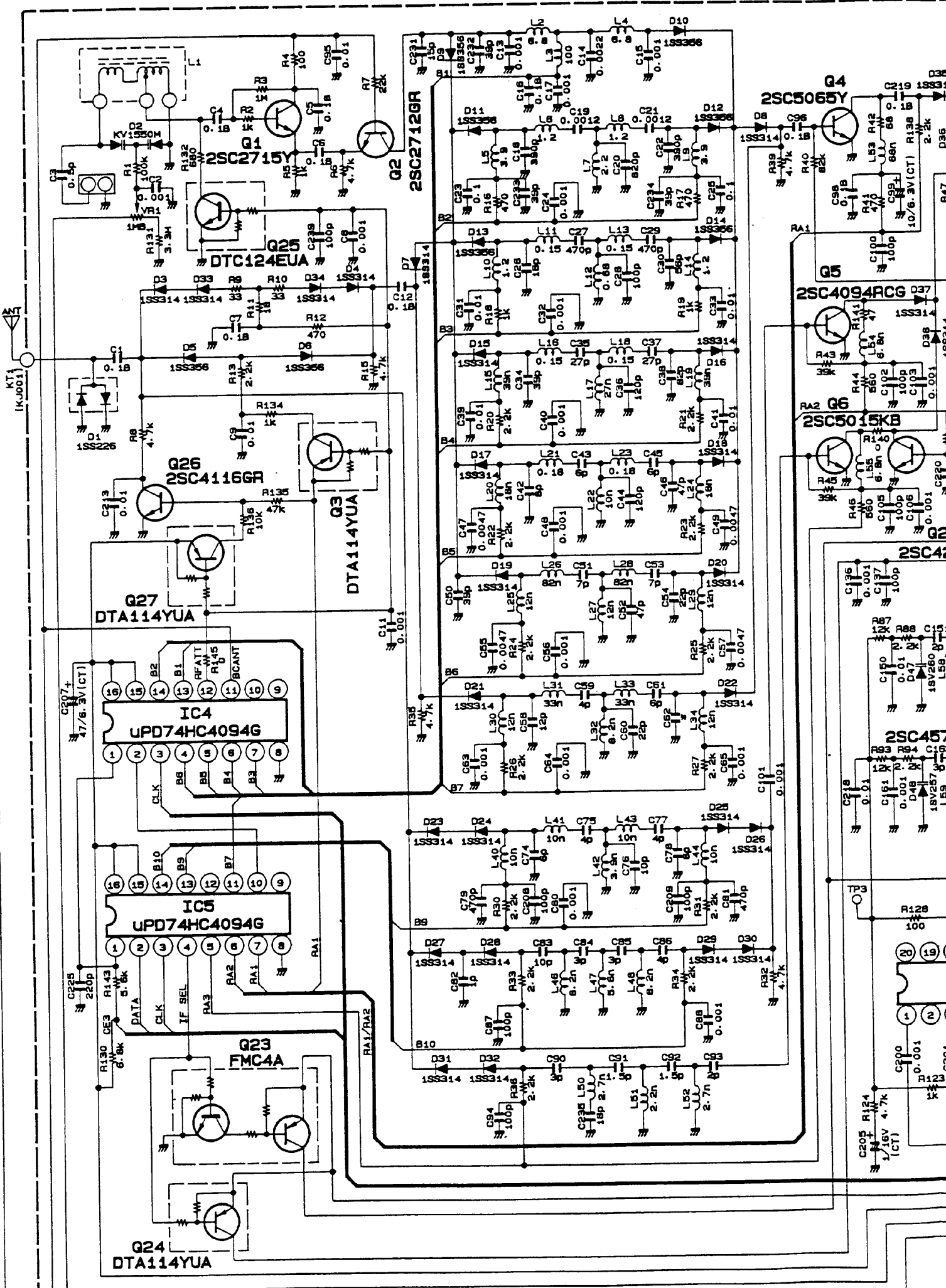
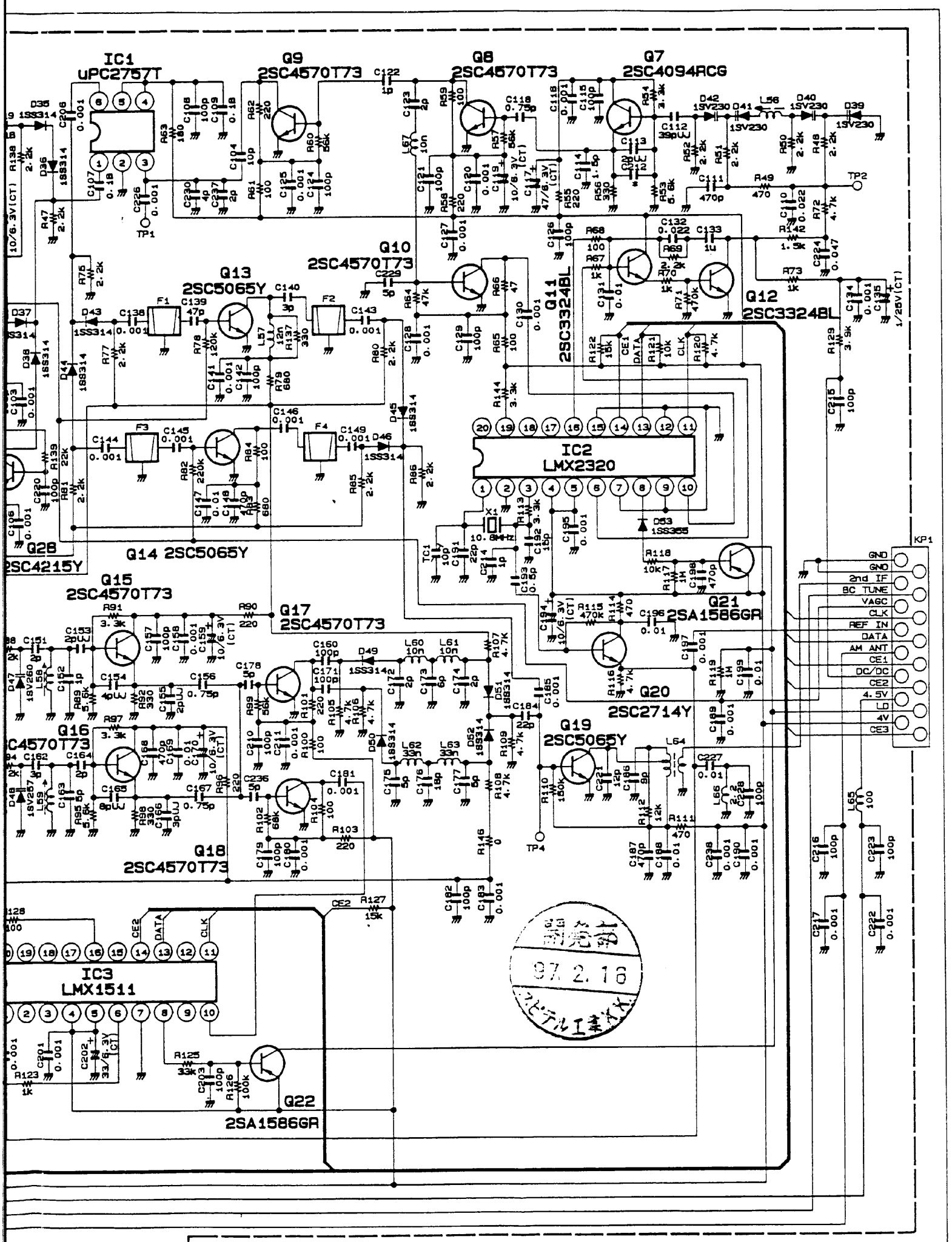


- BC
- TUNE
- V AGC
- CLK
- REF IN
- DATA
- AM ANT
- CE1
- DC/DC
- CE2
- 4.5V
- LD1
- 4V
- Q3

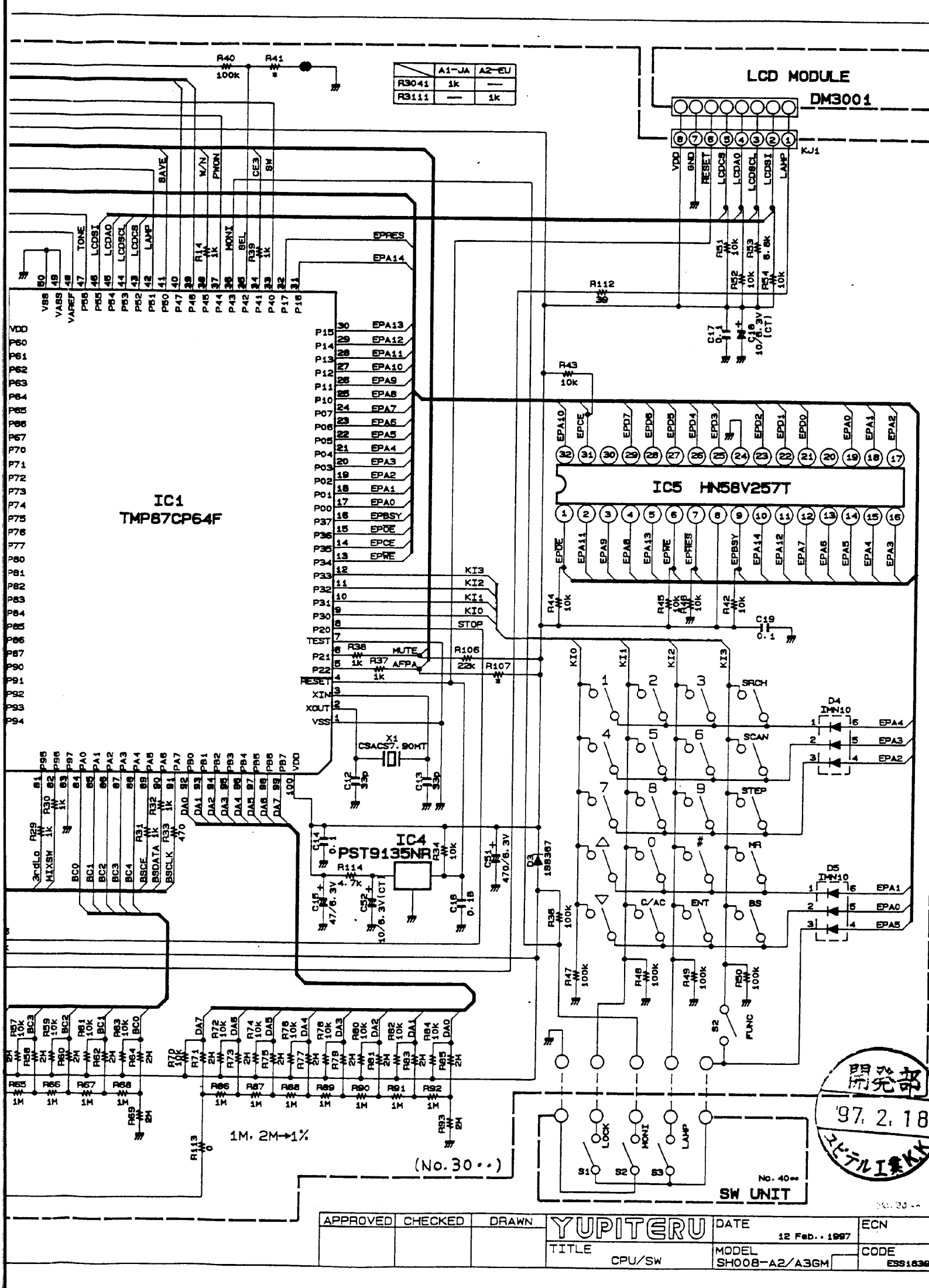






(No. 10..)

APPROVED	CHECKED	DRAWN	YUPITERU	DATE	12 Feb.. 1997	ECN
			TITLE	MODEL	SH008-A2/A3GM	CODE
			RF			ESS1840



	A1-JA	A2-EU
R3041	1k	—
R3111	—	1k

LCD MODULE
DM3001

IC1
TMP87CP64F

IC5 HN58V257T

IC4
PST9135NR

開発部
97.2.18
ユピテル工業株式会社

APPROVED	CHECKED	DRAWN	YUPITERU	DATE	12 Feb. 1997	ECN
			TITLE	MODEL	SH008-A2/A3GM	CODE
			CPU/SW			ESS1636