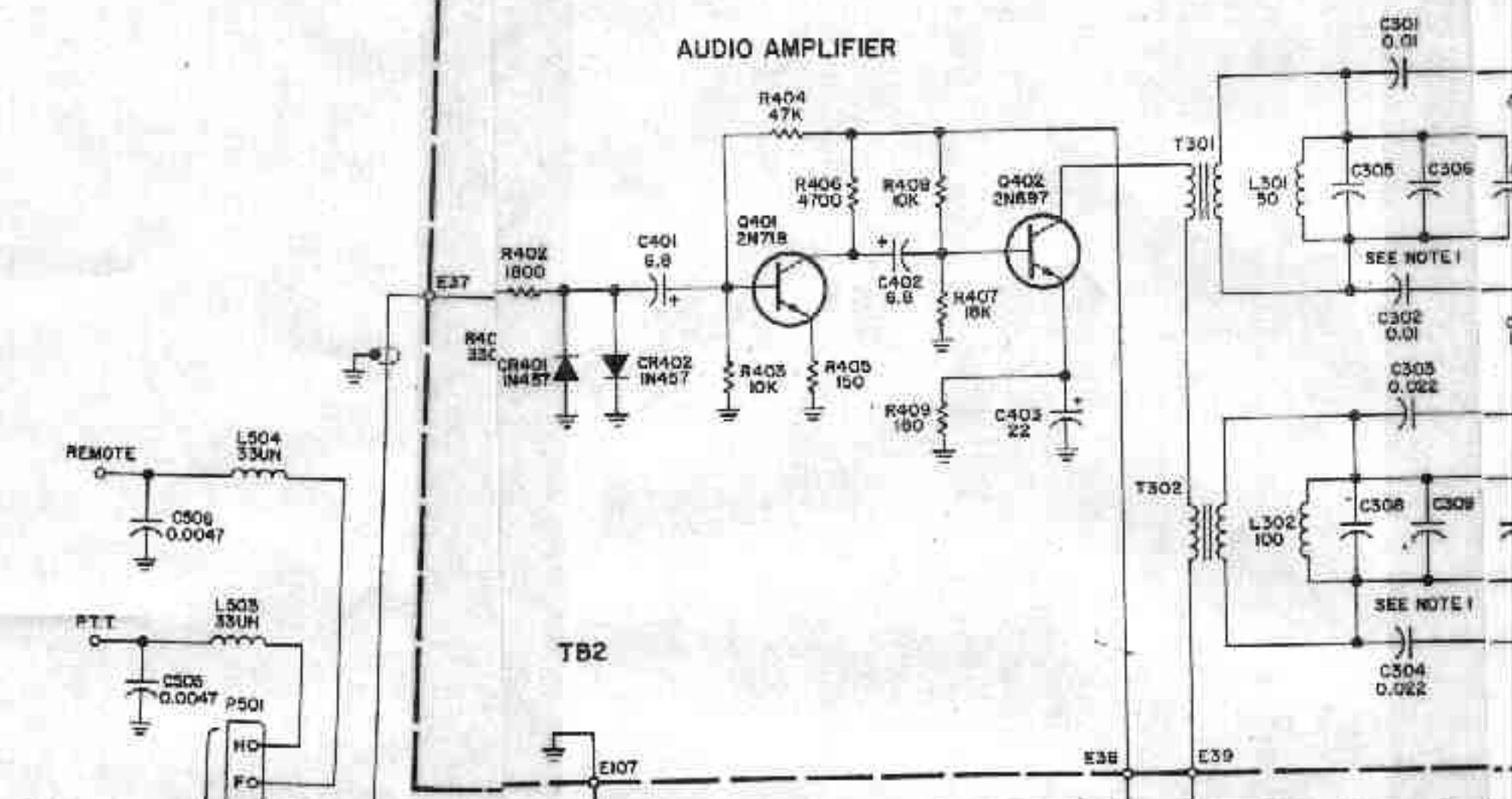
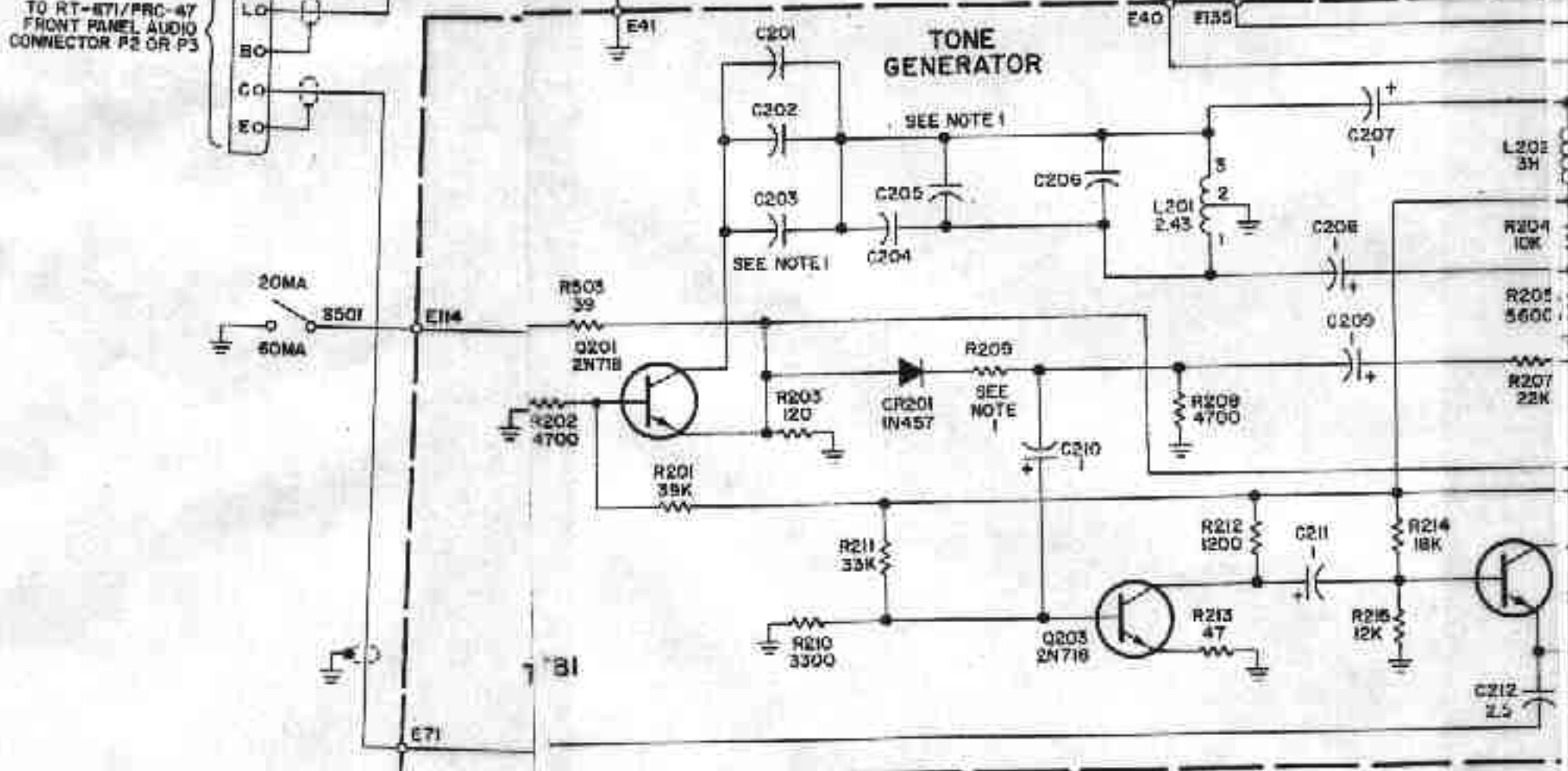


DISCRIM

AUDIO AMPLIFIER



TONE GENERATOR

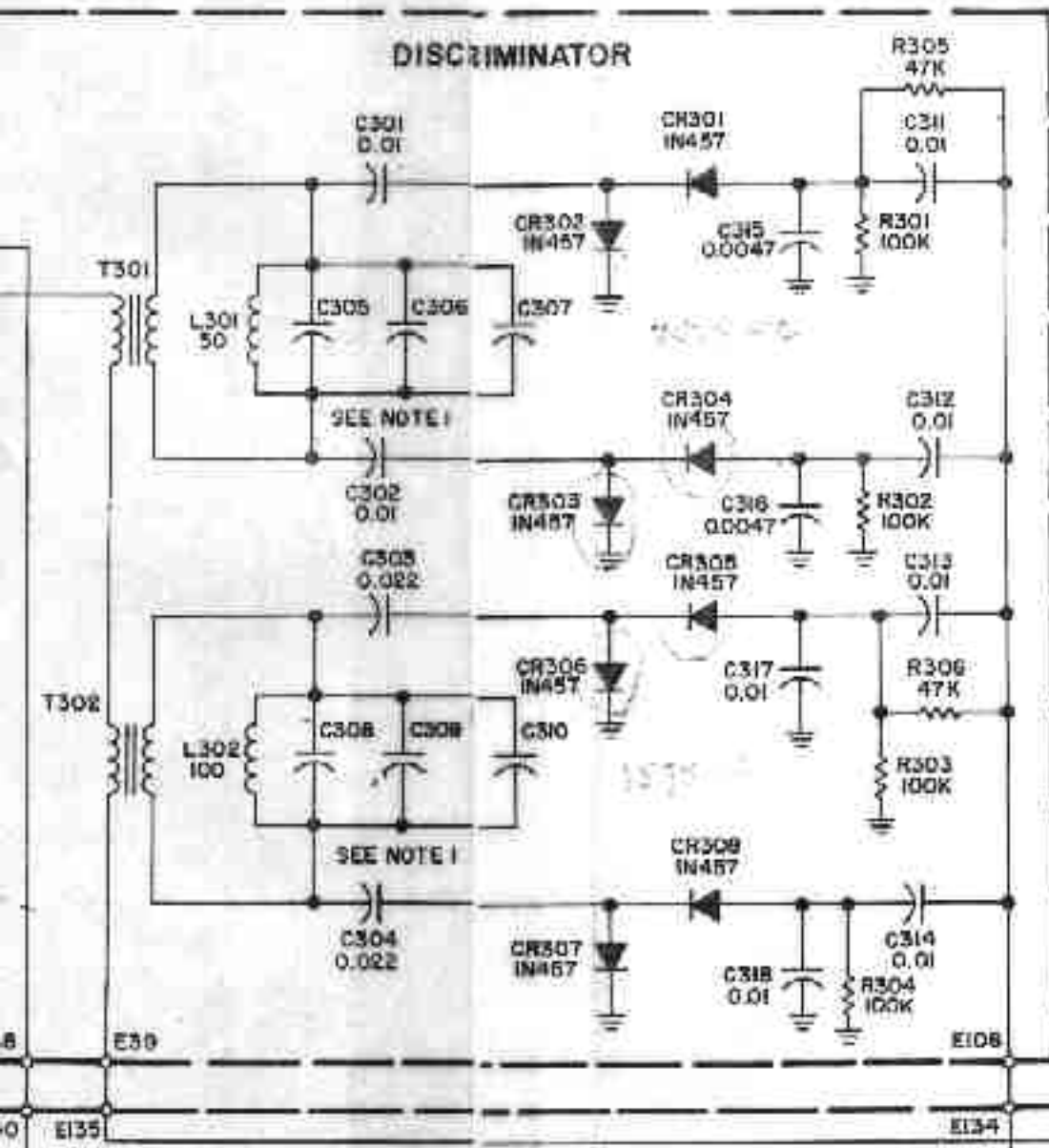


TO RT-871/PRC-47
FRONT PANEL AUDIO
CONNECTOR P2 OR P3

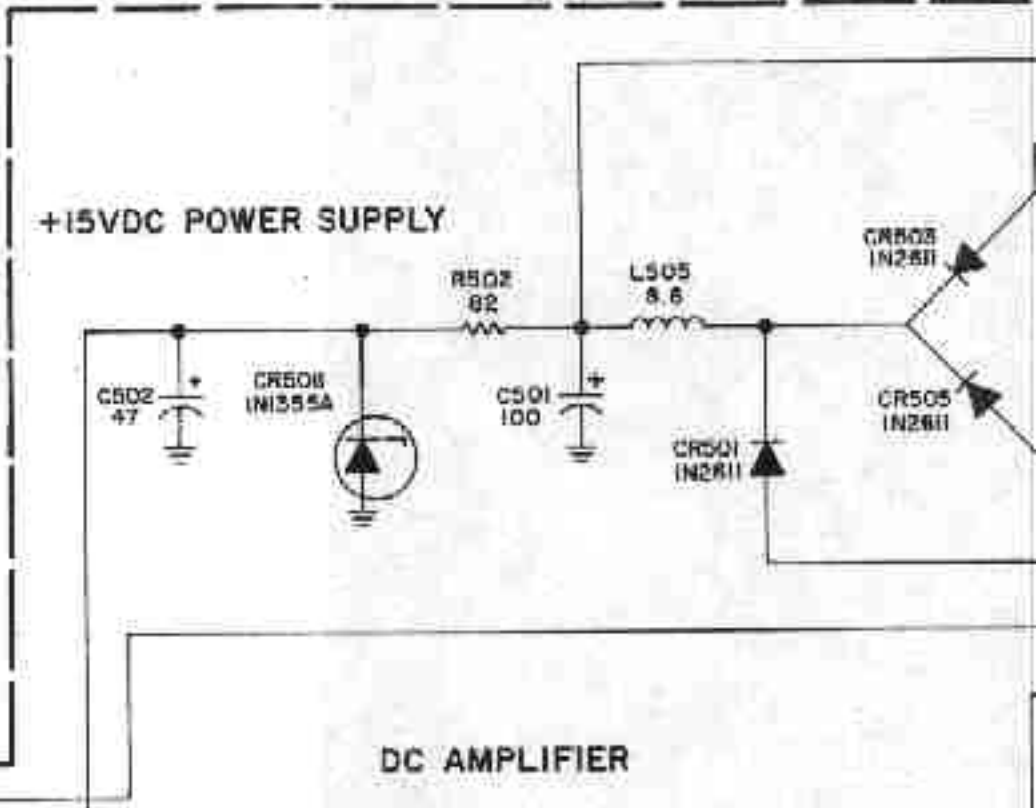
20MA
50MA

C212
2.5

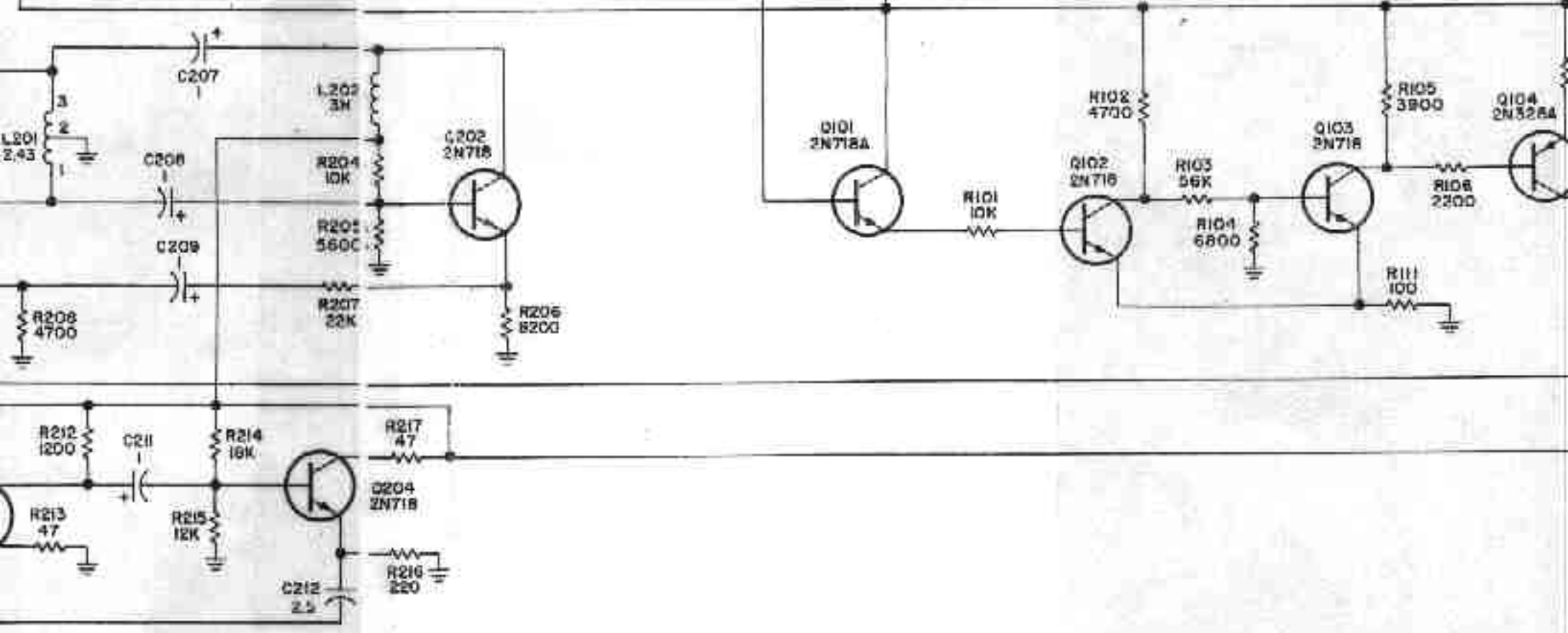
DISCRIMINATOR

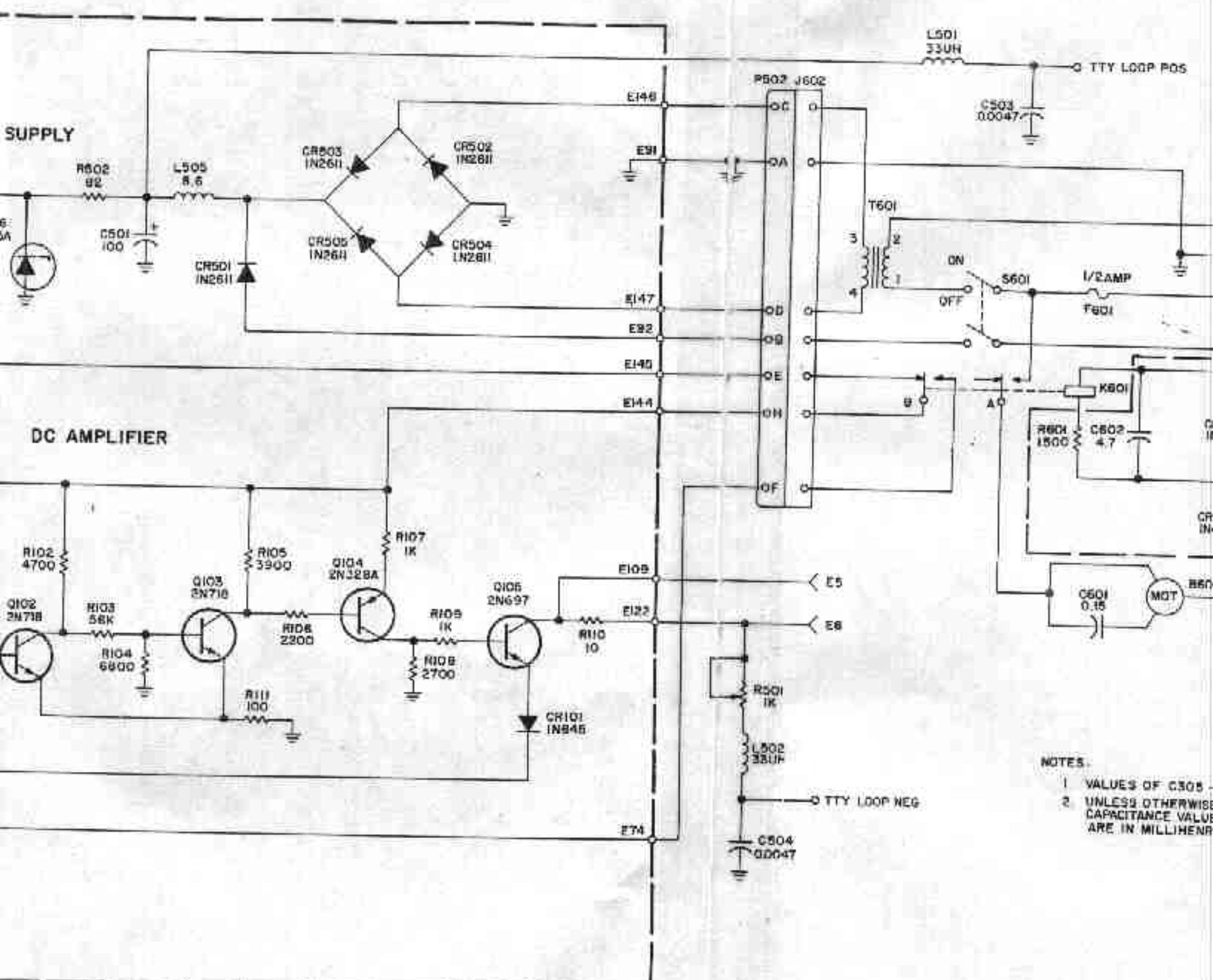


+15VDC POWER SUPPLY



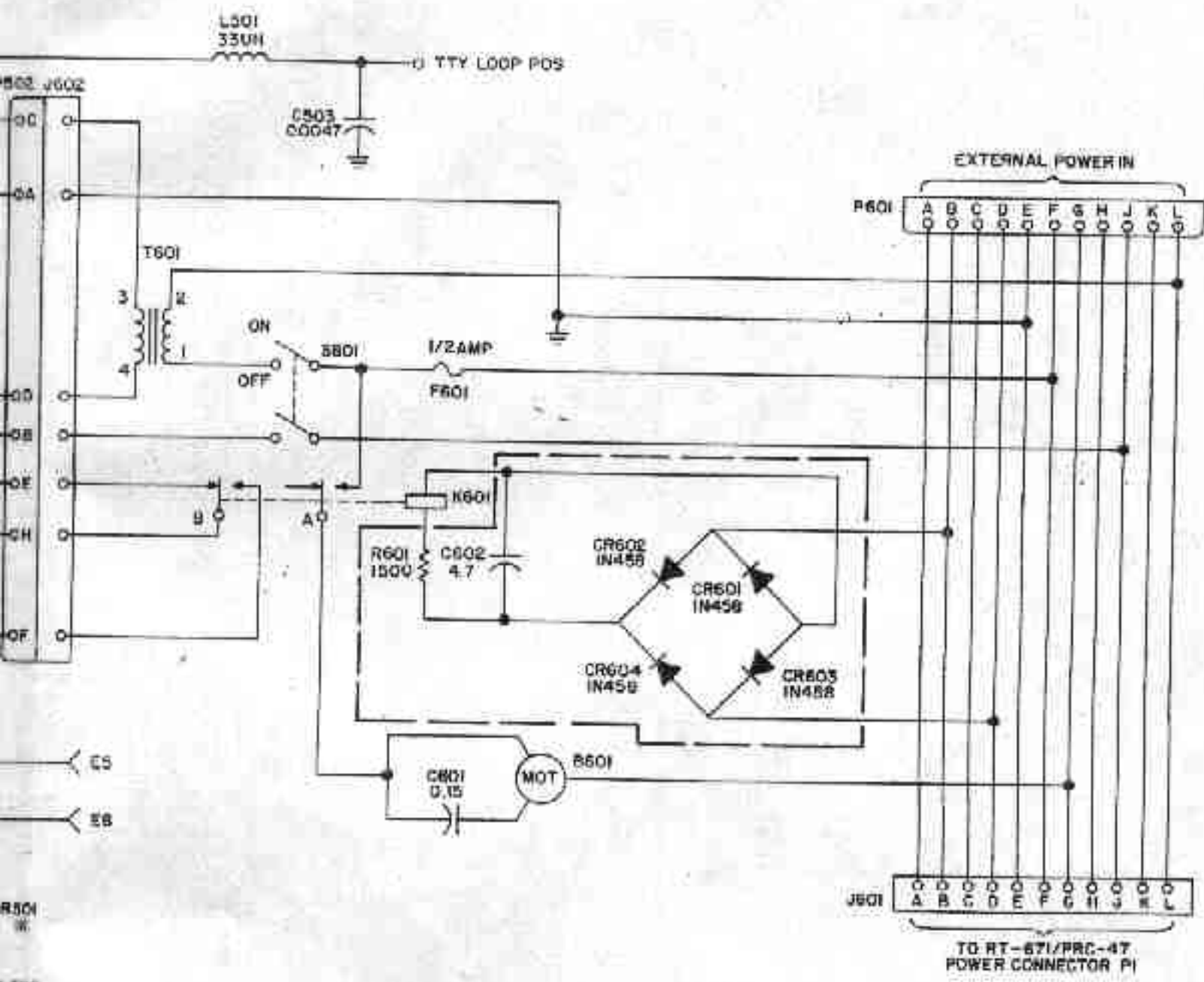
DC AMPLIFIER





section 7

illustrations



- NOTES:
1. VALUES OF C305 - C310, C201 - C206 AND R209 SELECTED IN FINAL TEST.
 2. UNLESS OTHERWISE INDICATED, ALL RESISTANCE VALUES ARE IN OHMS, ALL CAPACITANCE VALUES ARE IN MICROFARADS AND ALL INDUCTANCE VALUES ARE IN MILLIHENRYS.

Figure 7-1. 700C-1 FSK Converter-Blower, Schematic Diagram