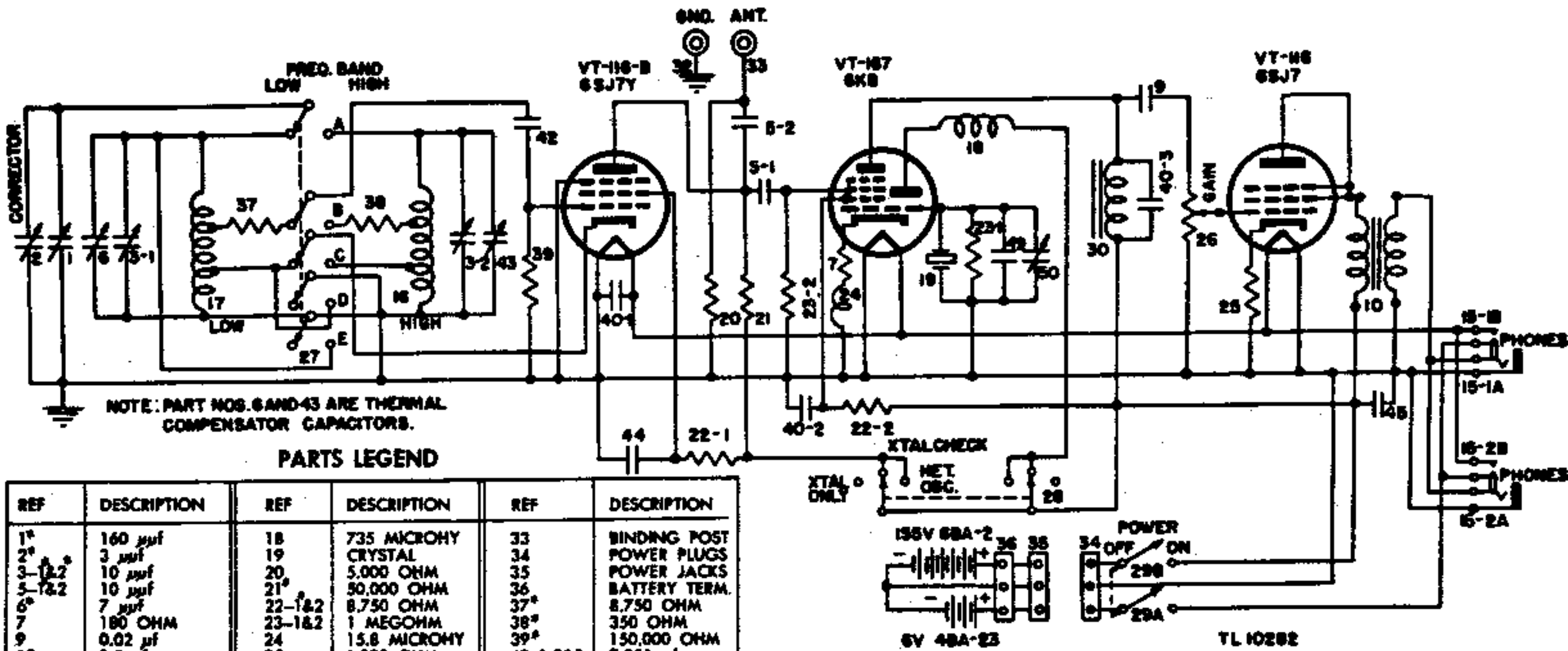


SCHEMATIC DIAGRAM FREQUENCY METER BC-221-AF

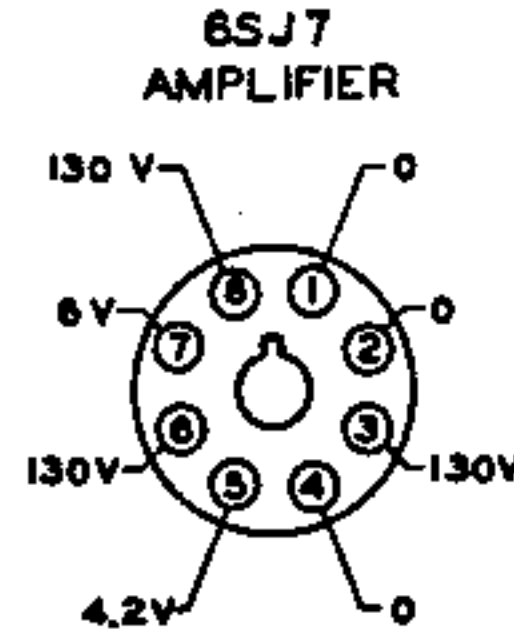
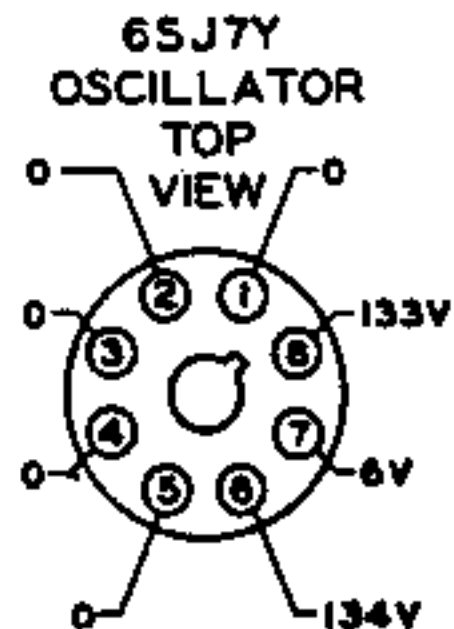
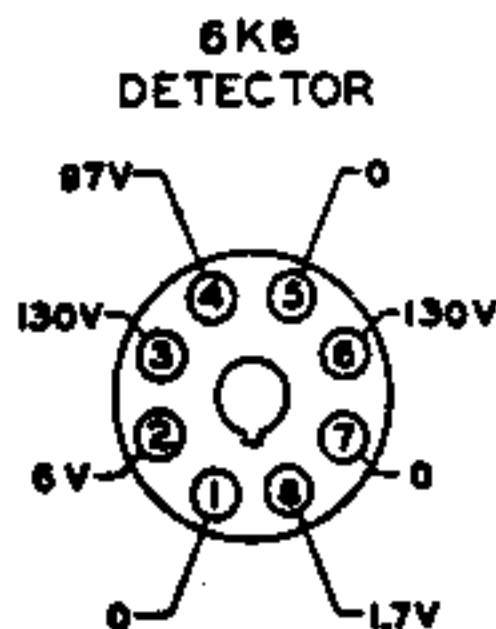


PARTS LEGEND

REF	DESCRIPTION	REF	DESCRIPTION	REF	DESCRIPTION
1 ^a	160 μ f	18	735 MICROHY	33	BINDING POST
2 ^a	3 μ f	19	CRYSTAL	34	POWER PLUGS
3-1&2	10 μ f	20	5,000 OHM	35	POWER JACKS
5-1&2	10 μ f	21 ^a	50,000 OHM	36	BATTERY TERM.
6 ^a	7 μ f	22-1&2	8,750 OHM	37 ^a	8,750 OHM
7	180 OHM	23-1&2	1 MEGOHM	38 ^a	350 OHM
9	0.02 μ f	24	15.8 MICROHY	39 ^a	150,000 OHM
10	0.5 μ f	25	1,000 OHM	40-1,2&3	0.001 μ f
15-1A	PHONE JACK	26 ^a	0.5 MEGOHM	42 ^a	100 μ f
15-1B	FIL. SWITCH	27 ^a	SWITCH	43 ^a	10 μ f
15-2A	PHONE JACK	28	SWITCH	44	0.1 μ f
15-2B	FIL. SWITCH	29	SWITCH	45	0.7 μ f
16 ^a	34.0 MICROHY	30	450 HENRYS	49	6 μ f
17 ^a	9.05 MILLHY	32	BINDING POST	50	14.5 μ f

***CAUTION:** These circuits components comprise the variable frequency oscillator and cannot be replaced without special test equipment.

VOLTAGE MEASUREMENTS



Downloaded by
RadioAmateur.EU

VOLTAGES MEASURED TO GROUND
USING 1000 OHM/VOLT VOLTMETER