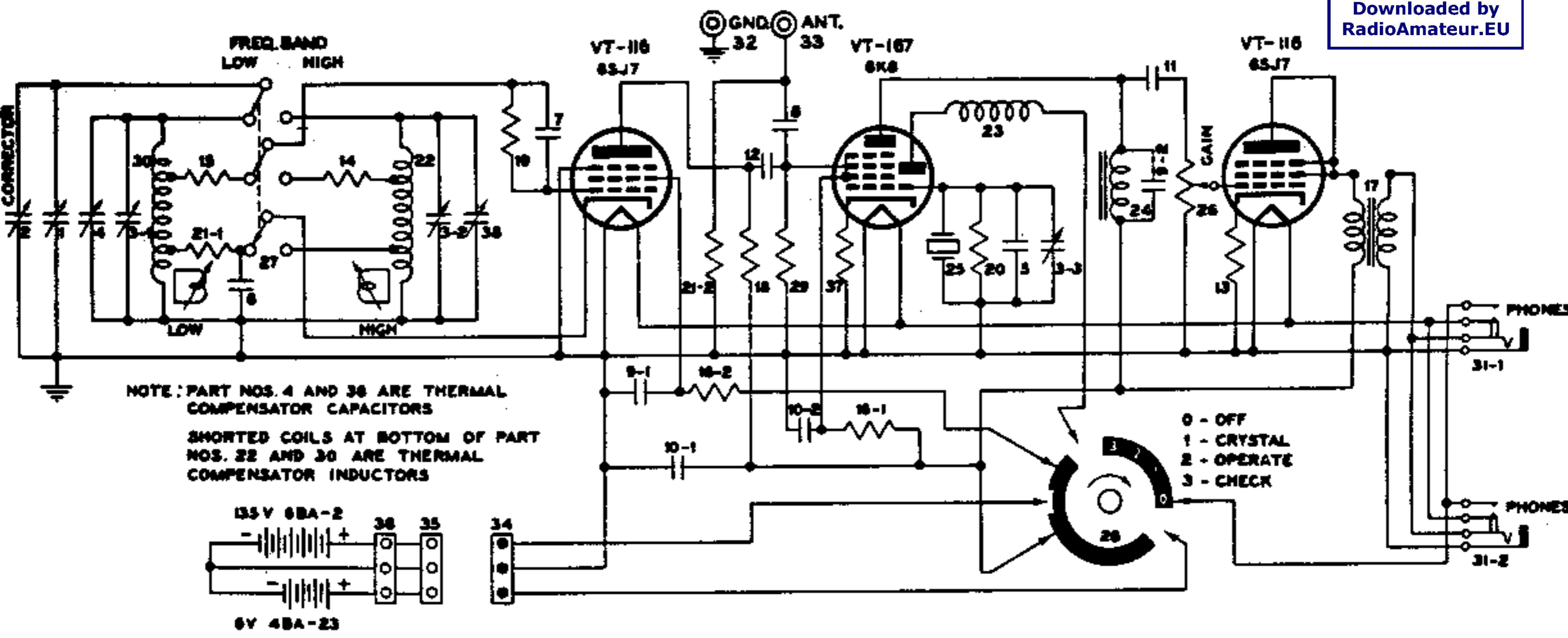


SCHEMATIC DIAGRAM FREQUENCY METER BC-221-AG

Downloaded by
RadioAmateur.EU



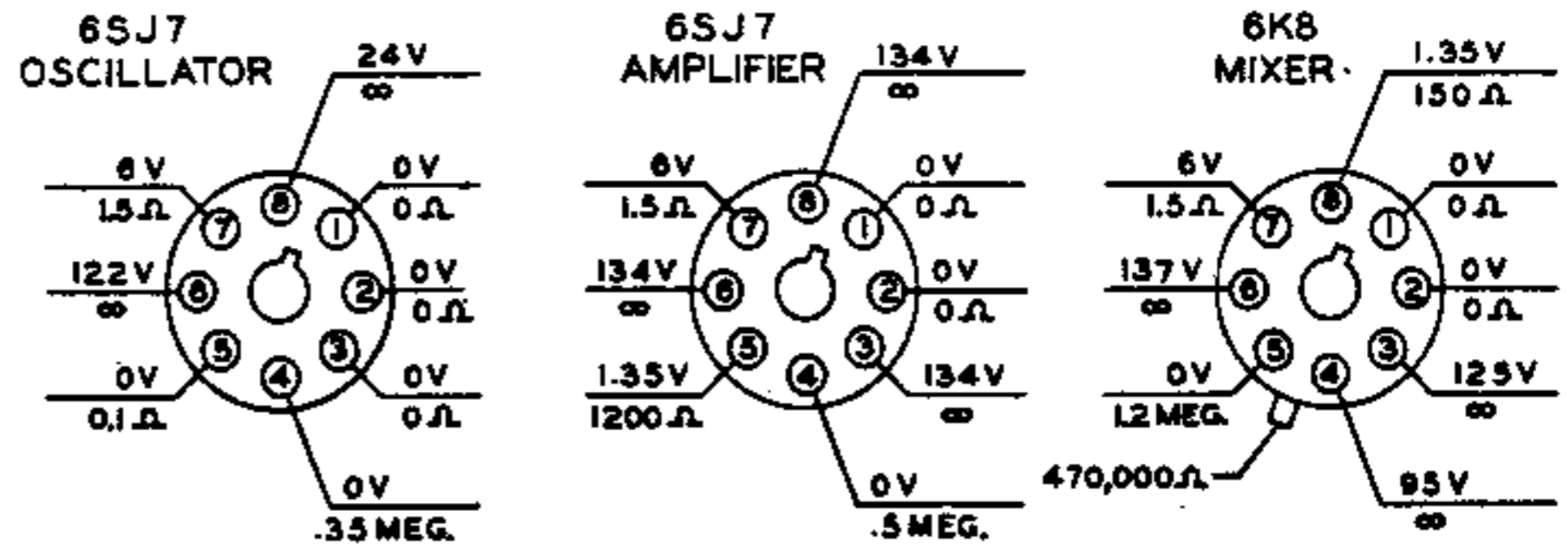
NOTE: PART NOS. 4 AND 36 ARE THERMAL COMPENSATOR CAPACITORS
SHORTED COILS AT BOTTOM OF PART NOS. 22 AND 30 ARE THERMAL COMPENSATOR INDUCTORS

0 - OFF
1 - CRYSTAL
2 - OPERATE
3 - CHECK

PARTS LEGEND

REF	DESCRIPTION	REF	DESCRIPTION
1 ^o	200 μ mf	20	1 MEGOHM
2 ^o	1.2 μ mf	21-1&2	5,000 OHM
3-1,2&3	12 μ mf	22 ^o	25.84 MICROHY
4 ^o	10 μ mf	23	1.0 MILLIHY
5	6 μ mf	24	150 HENRYS
6 ^o	250 μ mf	25	CRYSTAL
7 ^o	15 μ mf	26	0.5 MEGOHM
8	25 μ mf	27 ^o	SWITCH
9-1&2	0.001 μ f	28	SWITCH
10-1&2	0.25 μ f	29	470,000 OHM
11	0.02 μ f	30 ^o	7.06 MILLIHY
12 ^o	50 μ mf	31-1&2	JACK
13	1000 OHM	32	BINDING POST
14 ^o	27 OHM	33	BINDING POST
15 ^o	1500 OHM	34	POWER PLUGS
16-1&2 ^o	10,000 OHM	35	POWER JACKS
17	OUTPUT TRANS	36	BATTERY TERM.
18 ^o	50,000 OHM	37	150 OHM
19 ^o	330,000 OHM	38 ^o	10 μ mf

RESISTANCE AND VOLTAGE MEASUREMENTS



NOTES

1. VOLTAGES MEASURED WITH OPERATION SWITCH IN #3-CHECK POSITION.
2. D.C. RESISTANCES MEASURED TO GROUND WITH OPERATION SWITCH IN "OFF" POSITION. GAIN CONTROL AT MAXIMUM.

CAUTION: These circuit components comprise the variable frequency oscillator and cannot be replaced without special test equipment.