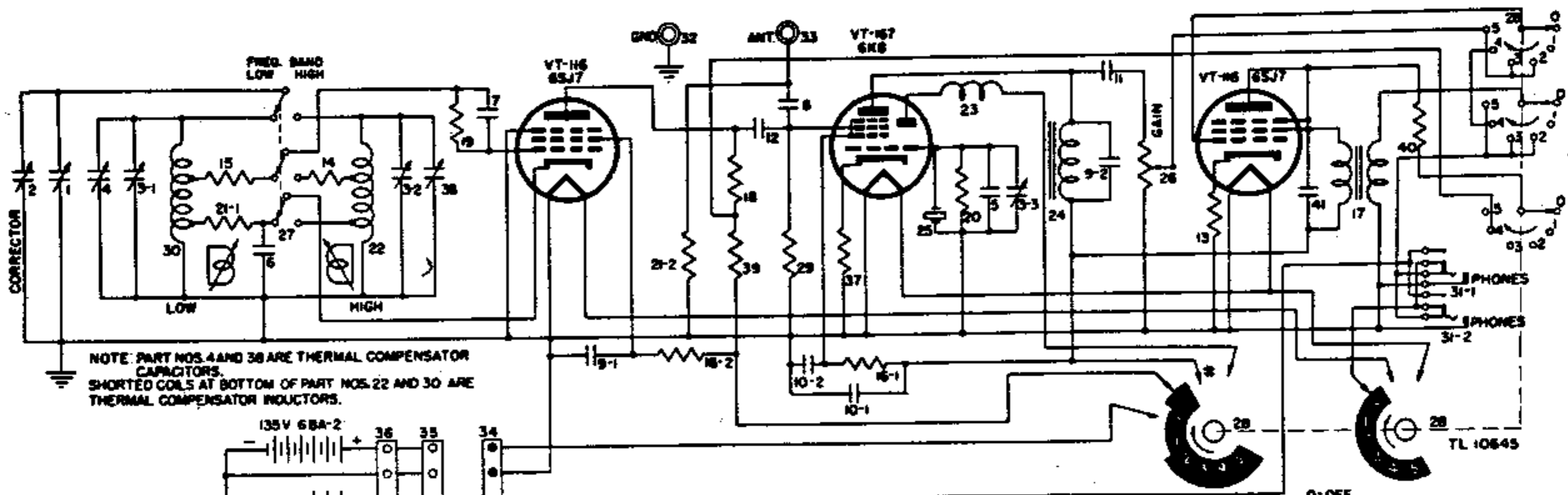
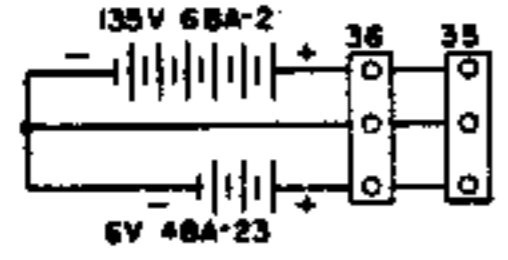


# SCHEMATIC DIAGRAM FREQUENCY METER BC-221-AK



NOTE: PART NOS. 4 AND 38 ARE THERMAL COMPENSATOR CAPACITORS. SHORTED COILS AT BOTTOM OF PART NOS. 22 AND 30 ARE THERMAL COMPENSATOR INDUCTORS.



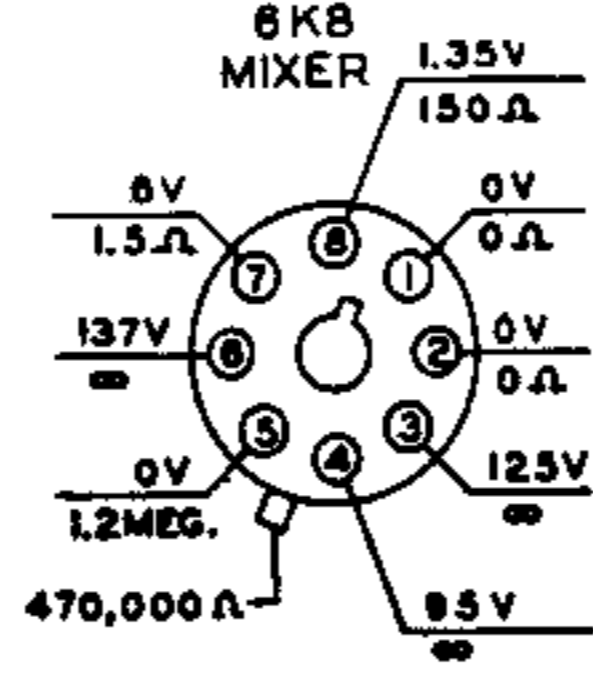
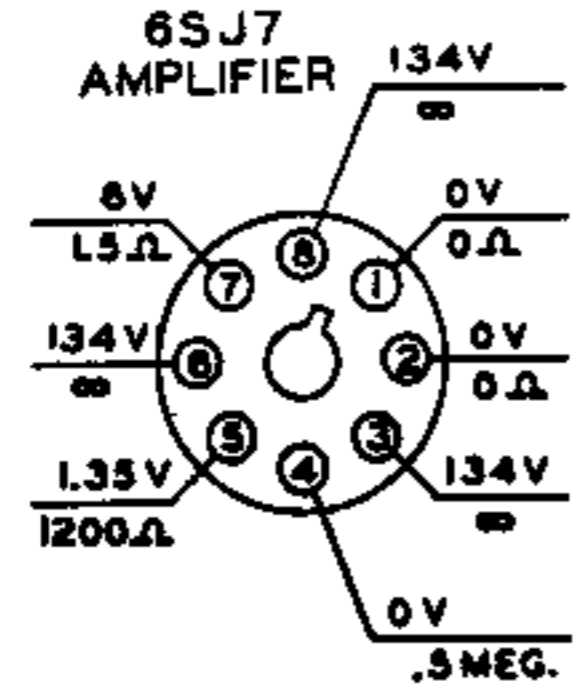
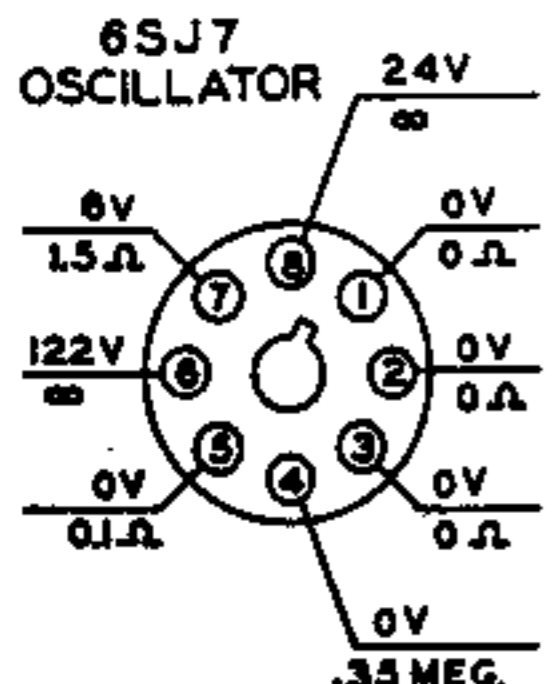
## PARTS LEGEND

REF.	DESCRIPTION	REF.	DESCRIPTION	REF.	DESCRIPTION	REF.	DESCRIPTION	REF.	DESCRIPTION	REF.	DESCRIPTION
1*	200 $\mu$ F	8	25 $\mu$ F	15*	1,500 OHM	22*	25.84 MICROMY	29	470,000 OHM	36	BATTERY TERM.
2*	1.2 $\mu$ F	9-1&2	0.001 $\mu$ F	16-1&2	10,000 OHM	23	1.0 MLLNY	30*	7.05 MLLNY	37	150 OHM
3-1-2&3	12 $\mu$ F	10-1&2	0.25 $\mu$ F	17	OUTPUT TRANS.	24	150 HENRYS	31-1&2	JACK	38*	10 $\mu$ F
4*	10 $\mu$ F	11	0.02 $\mu$ F	18*	50,000 OHM	25	CRYSTAL	32	BRIDING POST	39	18,000 OHM
5*	0.5 $\mu$ F	12*	50 $\mu$ F	19*	230,000 OHM	26	0.5 MEGOHM	33	BRIDING POST	40	18,000 OHM
6*	250 $\mu$ F	13*	1,000 OHM	20	1 MEGOHM	27*	SWITCH	34	POWER PLUGS	41	0.002 $\mu$ F
7*	15 $\mu$ F	14*	27 OHM	21-1&2	5,000 OHM	28	SWITCH	35	POWER JACKS		

- 0-OFF
  - 1-WARM-UP
  - 2-CRYSTAL
  - 3-OPERATE
  - 4-MODULATE
  - 5-CHECK
- \*\* MAKES CONTACT TO BOTH SEGMENTS OF SWITCH.

\*CAUTION: These circuit components comprise the variable frequency oscillator and cannot be replaced without special test equipment.

## RESISTANCE AND VOLTAGE MEASUREMENTS



Downloaded by  
RadioAmateur.EU

## NOTES

1. VOLTAGES MEASURED WITH OPERATION SWITCH IN #5-CHECK POSITION.
2. D.C. RESISTANCES MEASURED TO GROUND WITH OPERATION SWITCH IN "OFF" POSITION GAIN CONTROL AT MAXIMUM.