

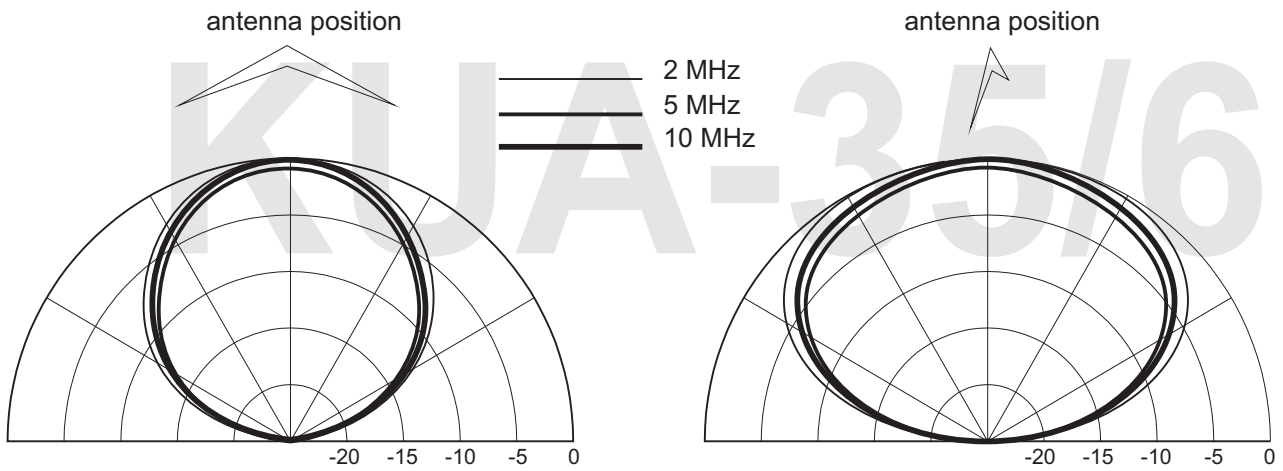
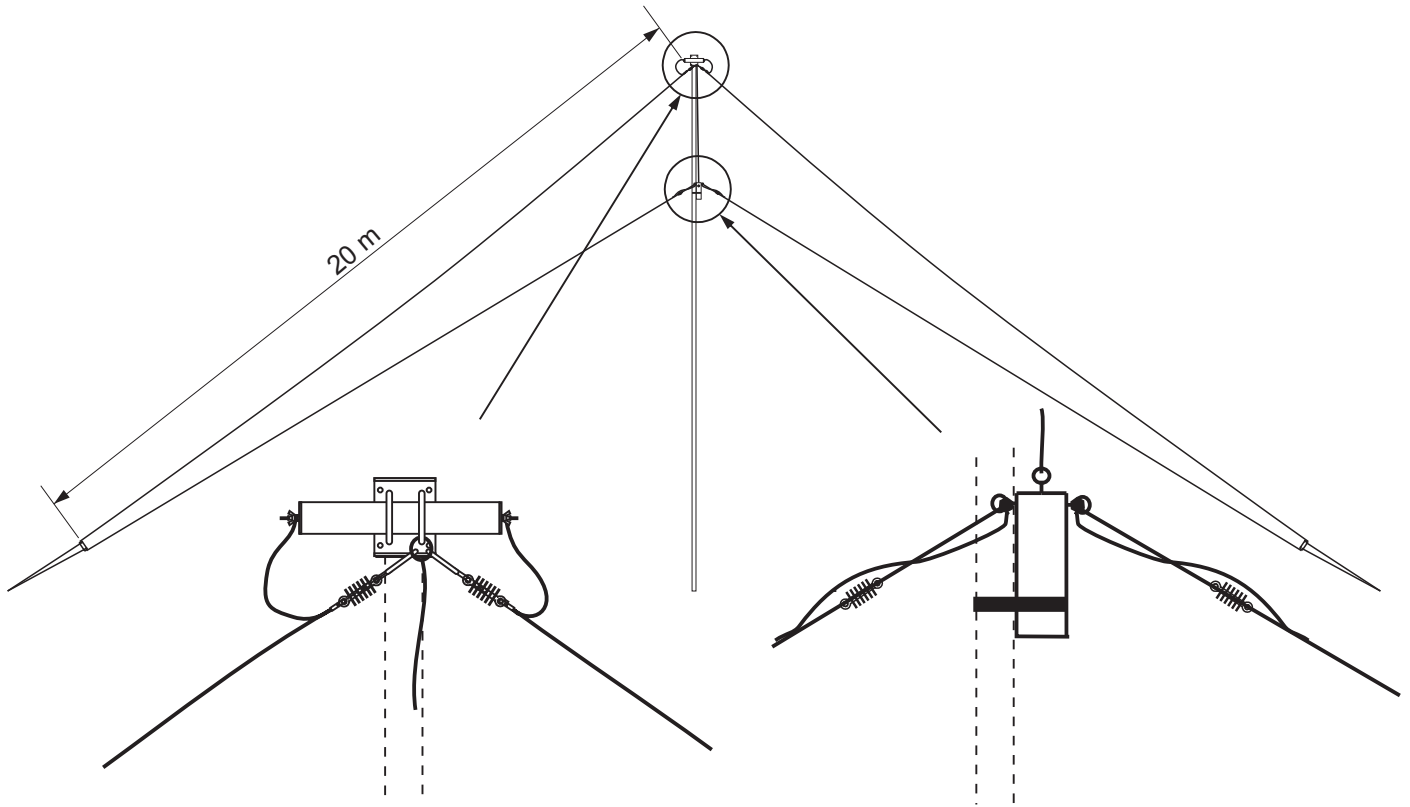
Antennas KUA-35/6 represent the family of wideband HF wire dipole antennas. Its universal construction allows using almost everywhere and in all circumstances. It is primarily intended for use as a tactical field antenna together with a single support mast at the center as inverted "V" or "delta dipole" antenna which makes it suitable for NVIS communications. Each end is attached to the sliding insulator with nylon rope allows us to attach the antenna ends on ground or some other appropriate objects. The antenna could be also mounted stationary on the already prepared mounting mast. The terminating load with mounting console can be attached to mast while the antenna transformer hangs beneath the load.

The antenna is electrically designed as a closed dipole with balun transformer and end terminating load. The overall length of the antenna wire is 2 x 40 m. The antenna has vertical radiation toward the zenith for short to medium skywave communications.

The antenna is very simple and robust construction. All metal parts are galvanically protected or made of corrosion resistant materials enables long life and high reliability. For tactical use we recommend using some of our sectionalized tubular masts series ST or telescopic masts series STV.



Frequency range	1 - 30 MHz
Impedance	50 ohm
Typ. VSWR	< 2.5
Efficiency	15 - 55 %
Radiation pattern	DIAG. 1, 2
Maximum power	150 W, 400 W, 1 kW
Min. mounting height	6 m
Length of dipole	2 x 20 m wire length 40 m
Weight	7 to 8 kg (depending on power version)
Input connector	N female
Temp. range (operating)	-40 +55 °C
Wind speed:	
- instalation	90 km/h
- operating	120 km/h
- survival	160 km/h



RADIATION PATTERN

