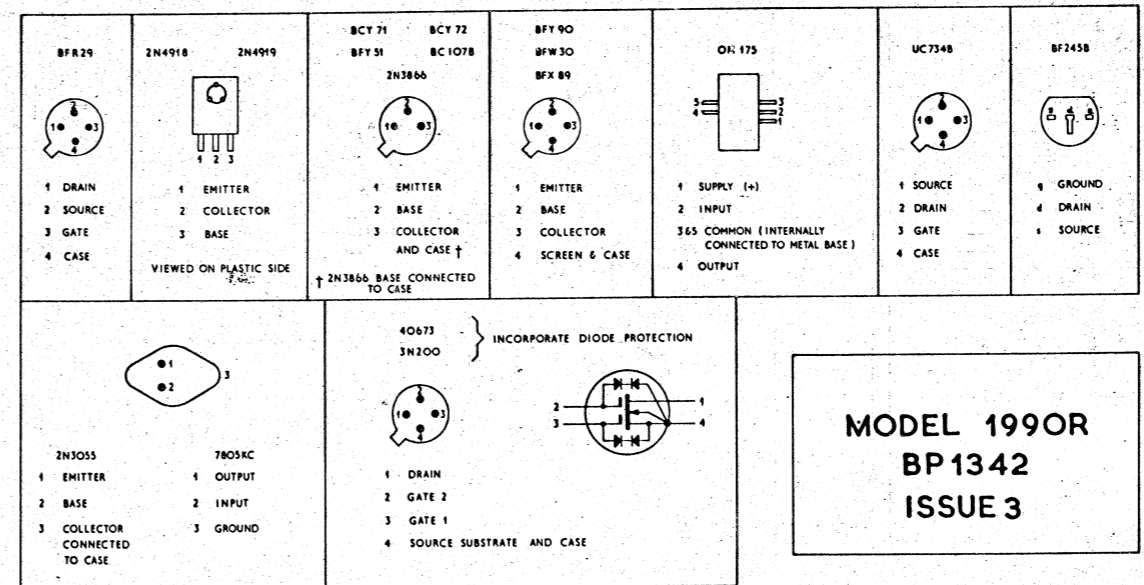
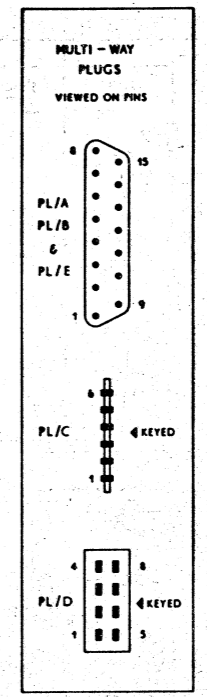
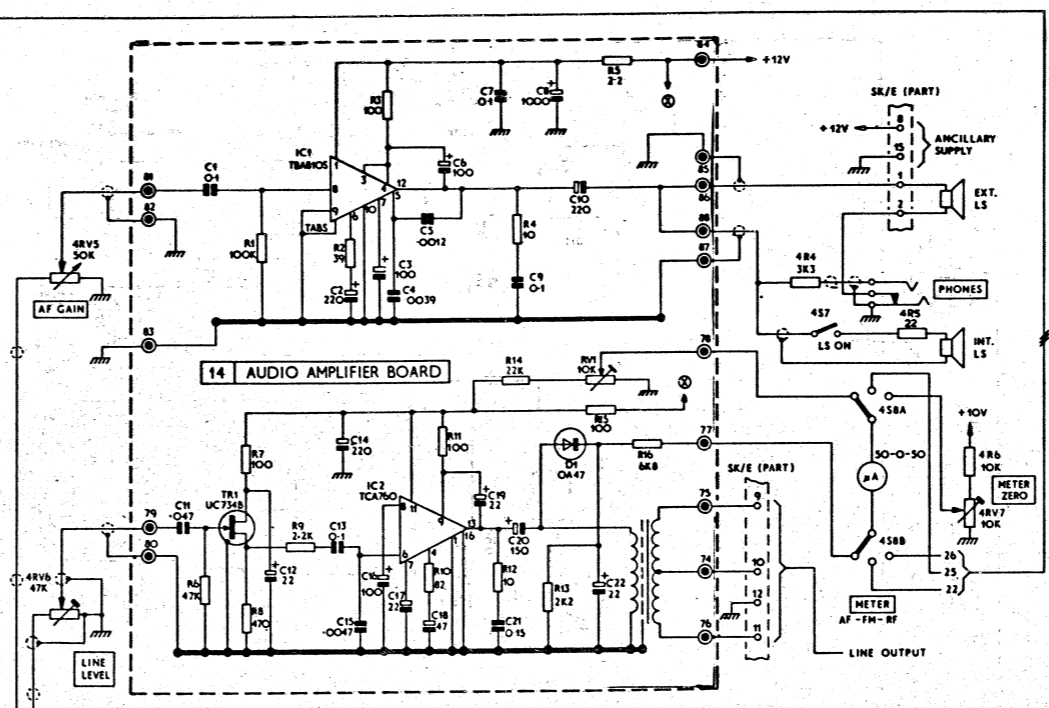
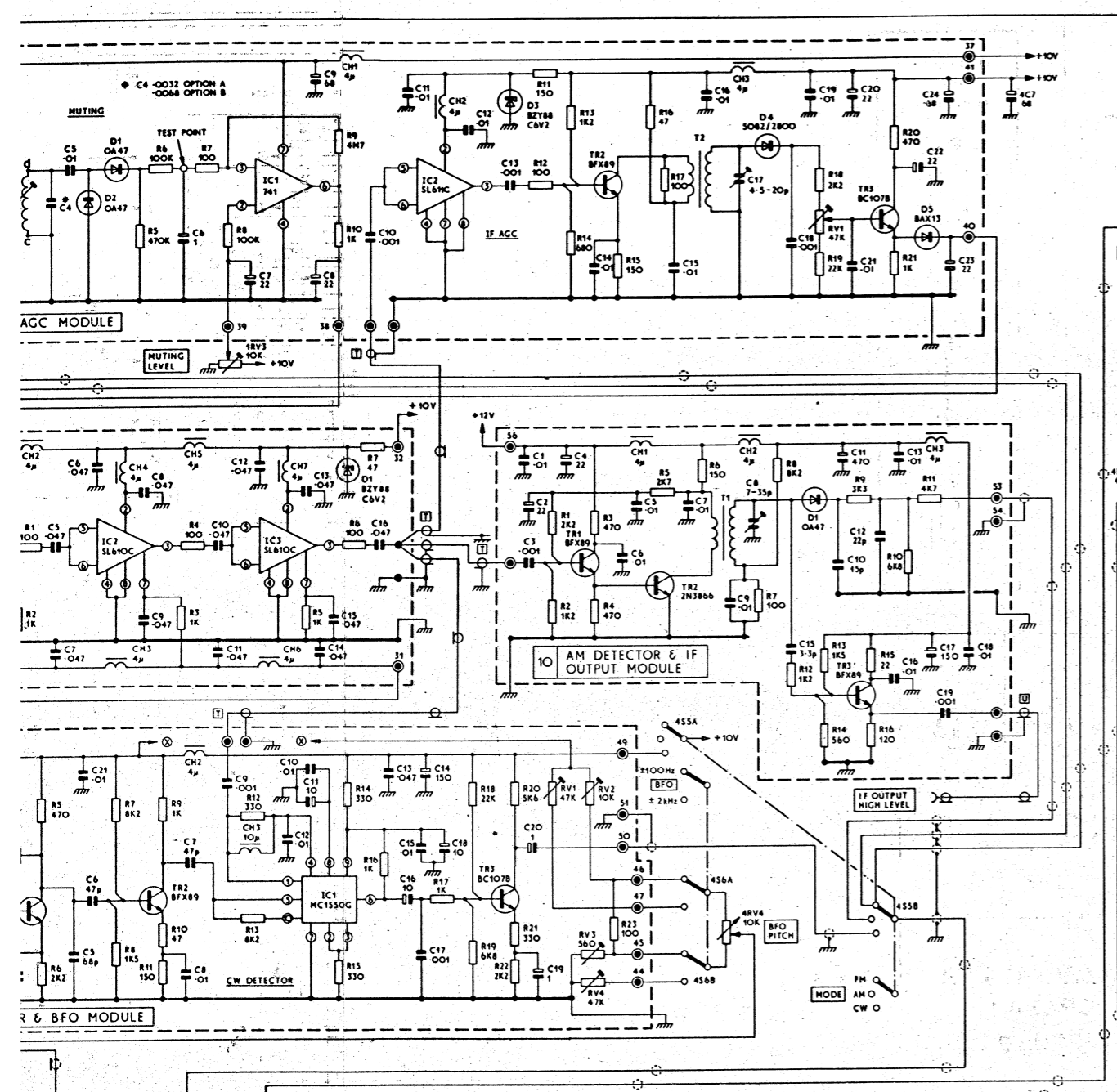
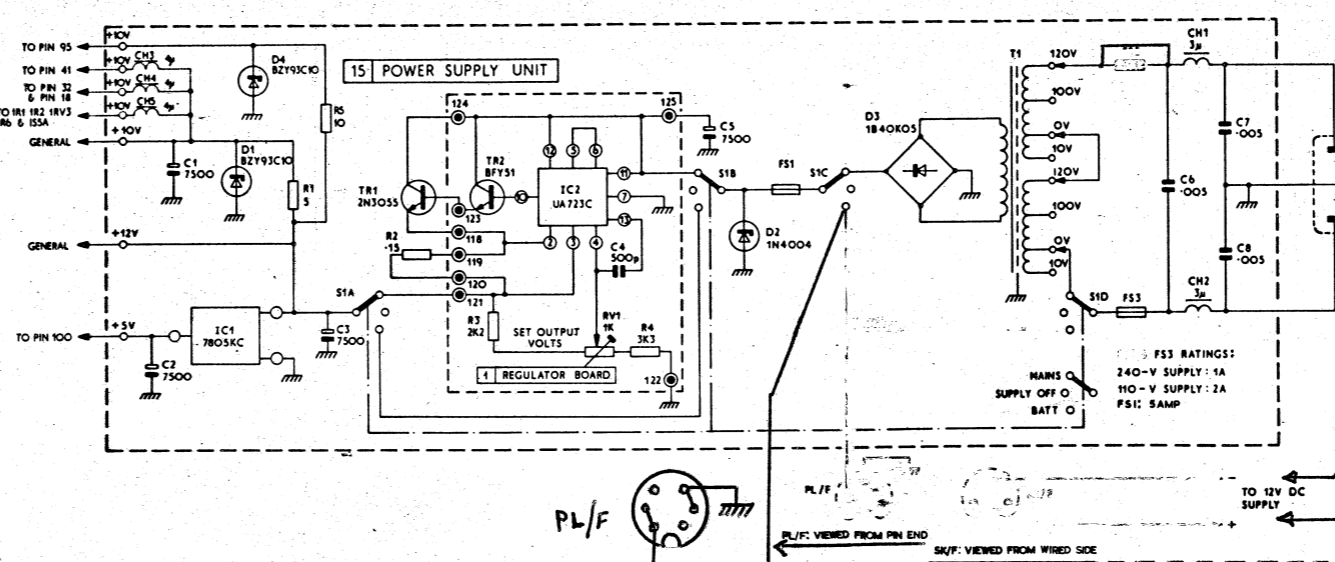
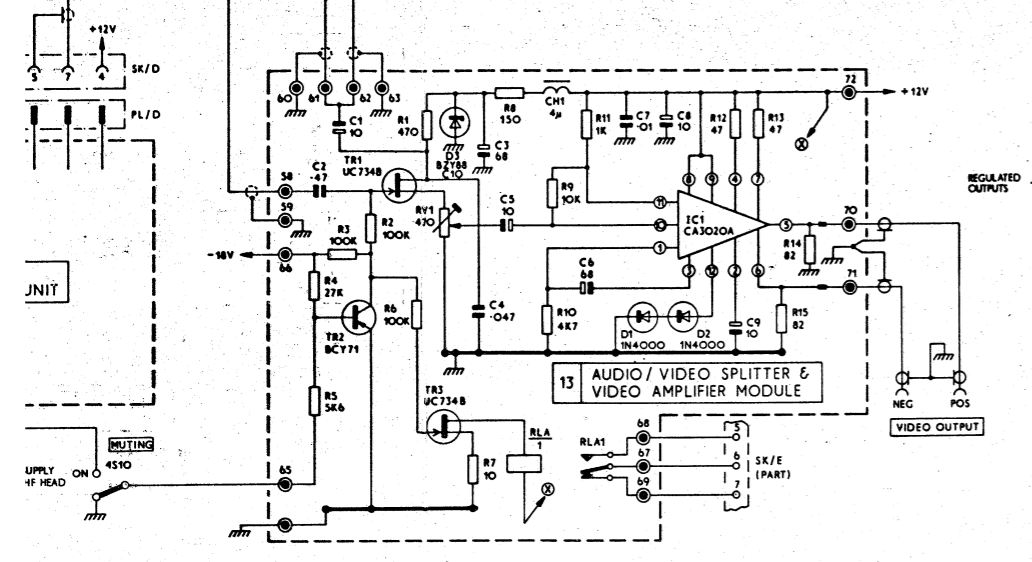


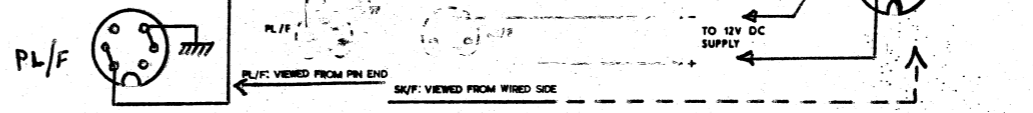
54 REPLACED BY IC AMPLIFIER WHEN UHF TUNER FITTED

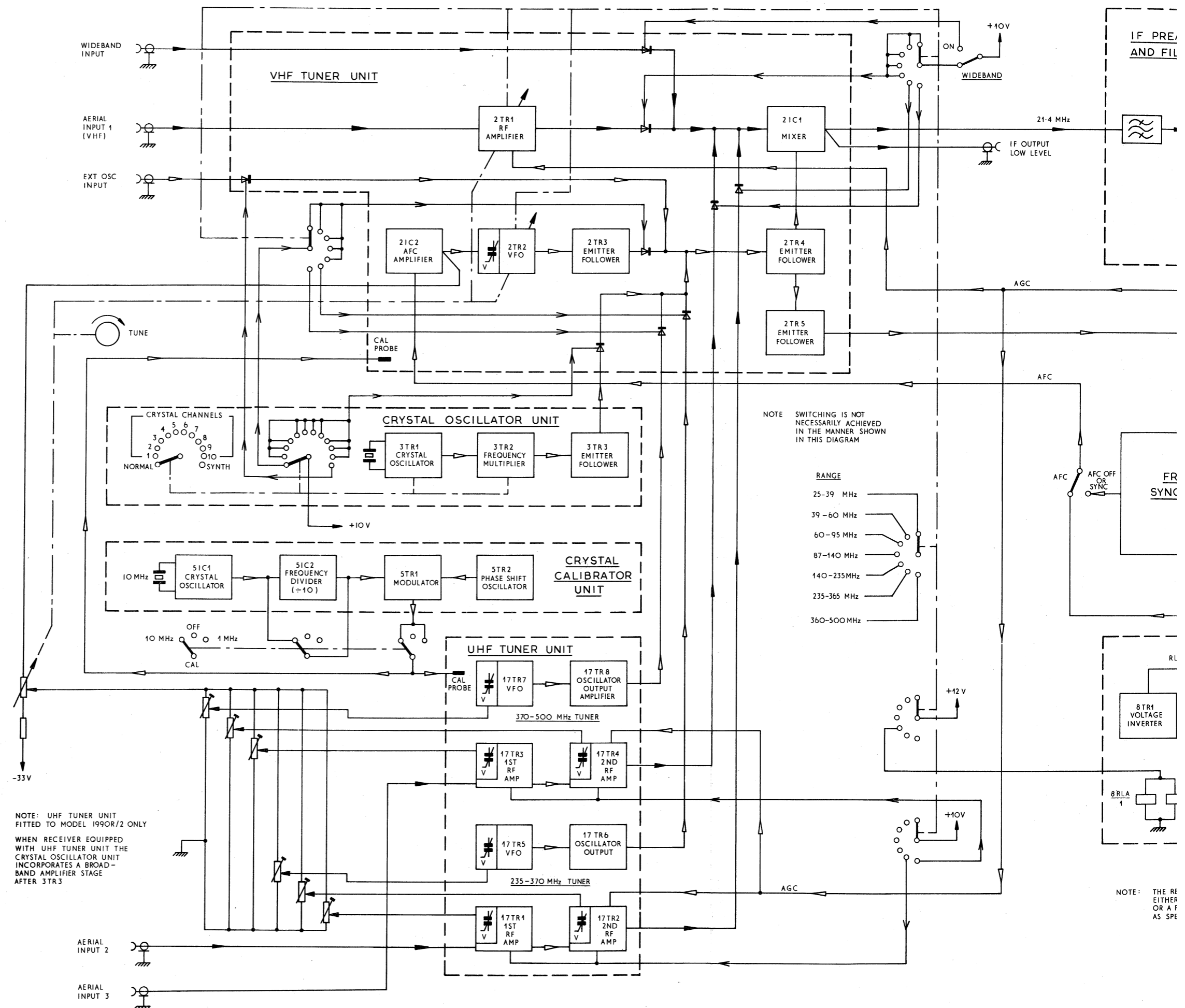


**MODEL 199OR
BP1342
ISSUE 3**

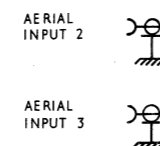


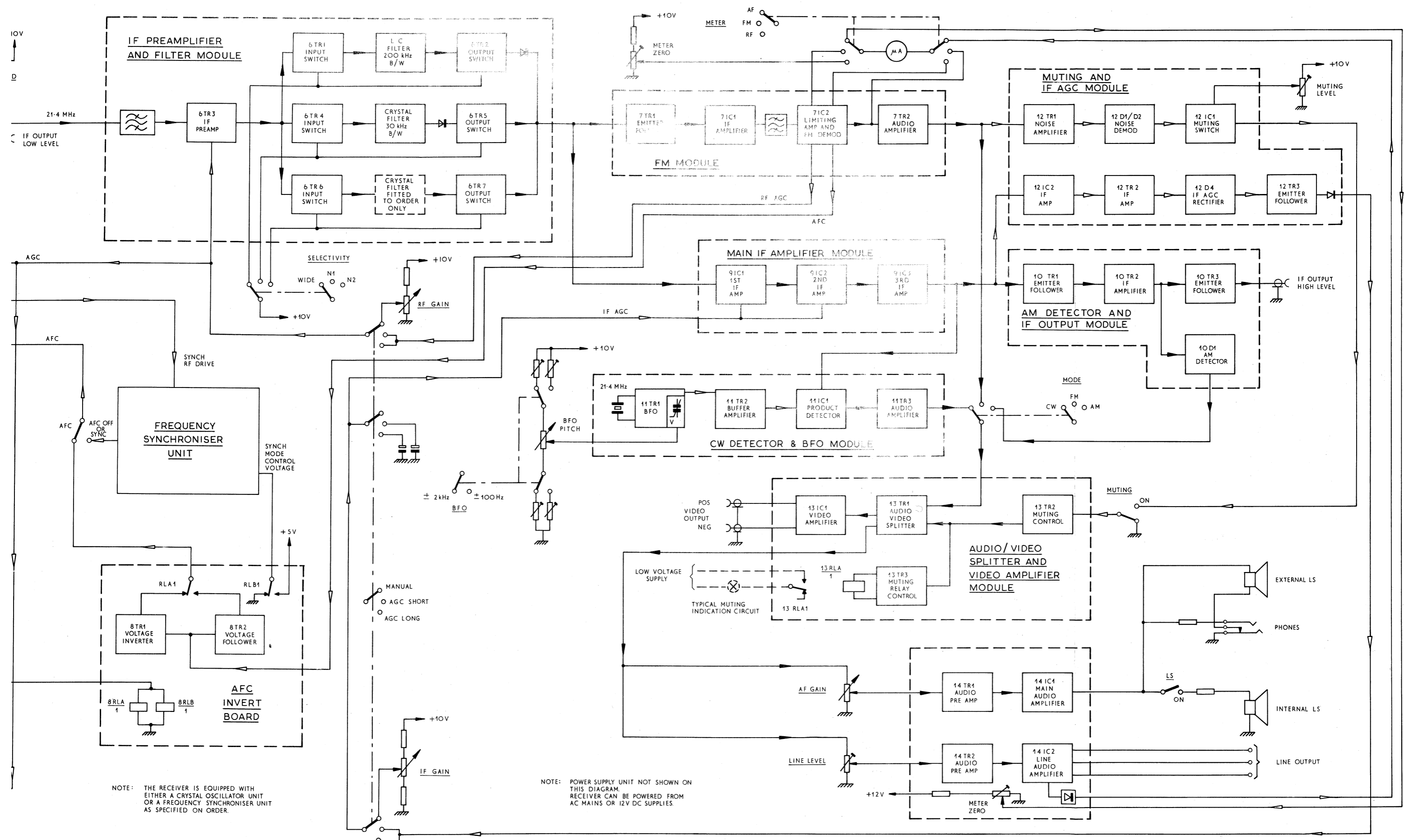
NZPO Modified (FS 2 PL/SK/F)
(BULGIN 6 PIN CHASSIS MOUNTING PLUG Part 27) AND SOCKET Part 28





NOTE: UHF TUNER UNIT FITTED TO MODEL 1990R/2 ONLY
WHEN RECEIVER EQUIPPED WITH UHF TUNER UNIT THE CRYSTAL OSCILLATOR UNIT INCORPORATES A BROAD-BAND AMPLIFIER STAGE AFTER 3TR3





NOTE: THE RECEIVER IS EQUIPPED WITH EITHER A CRYSTAL OSCILLATOR UNIT OR A FREQUENCY SYNCHRONISER UNIT AS SPECIFIED ON ORDER.

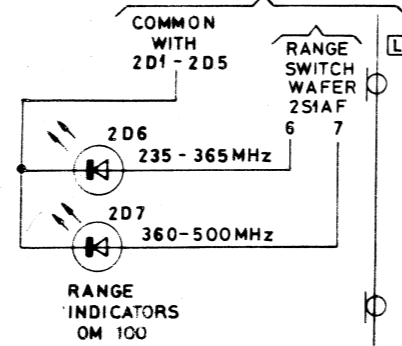
NOTE: POWER SUPPLY UNIT NOT SHOWN ON THIS DIAGRAM. RECEIVER CAN BE POWERED FROM AC MAINS OR 12V DC SUPPLIES.

BLOCK DIAGRAM

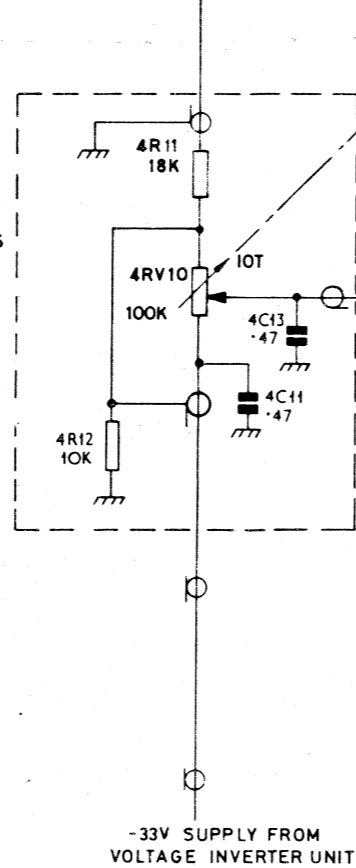
MODEL 1990R

BP 1354 ISSUE 1

REFER TO CIRCUIT DIAGRAM OF VHF TUNER UNIT

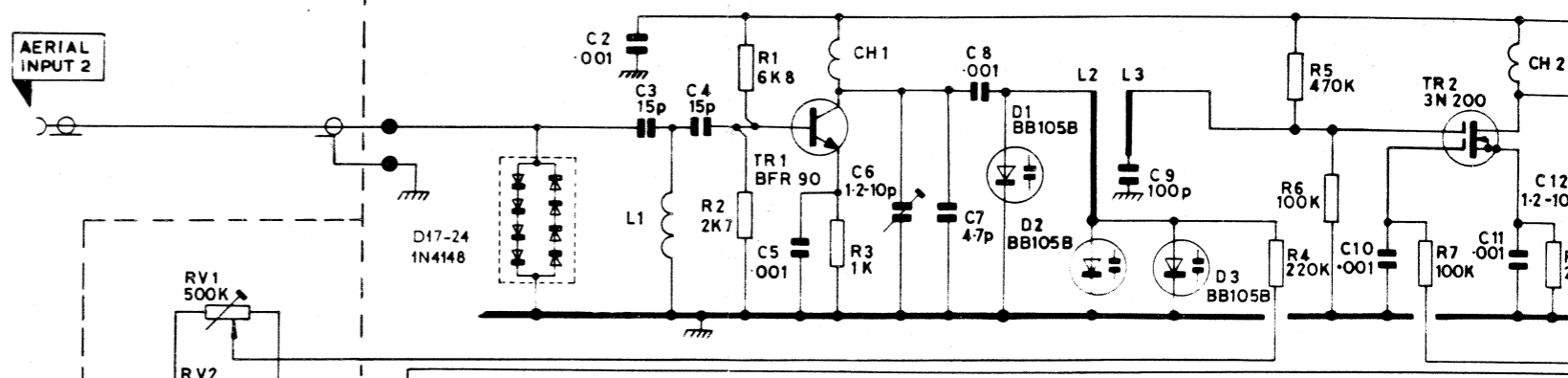


COMPONENTS MOUNTED ON VHF TUNER DRIVE UNIT

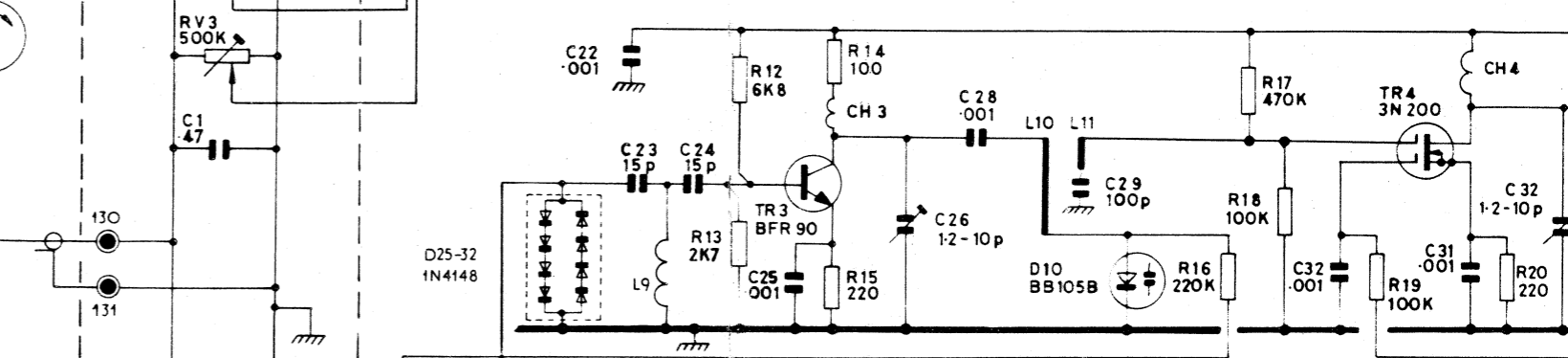


AERIAL INPUT 2

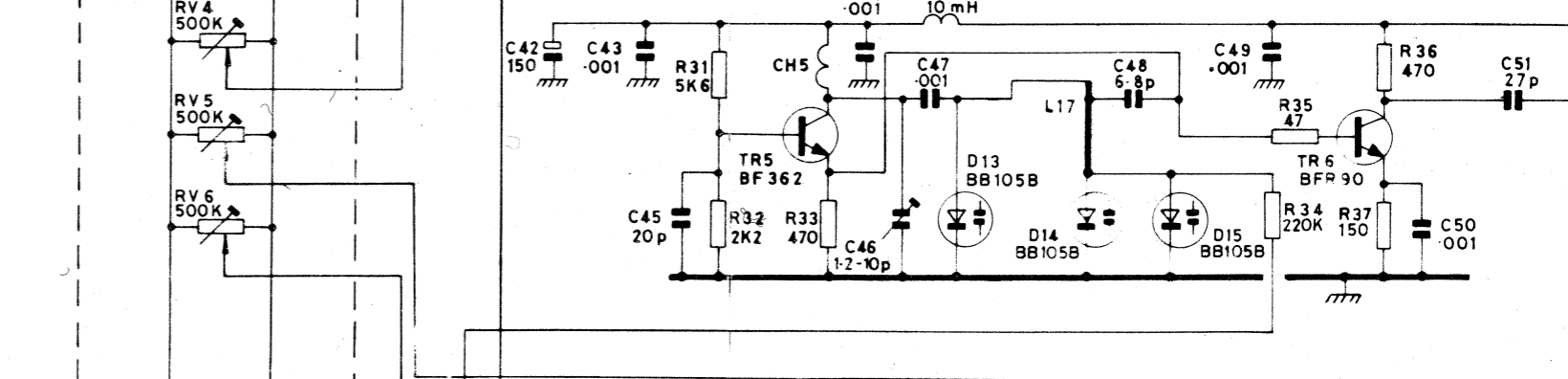
235 - 365 MHz AMPLIFIER



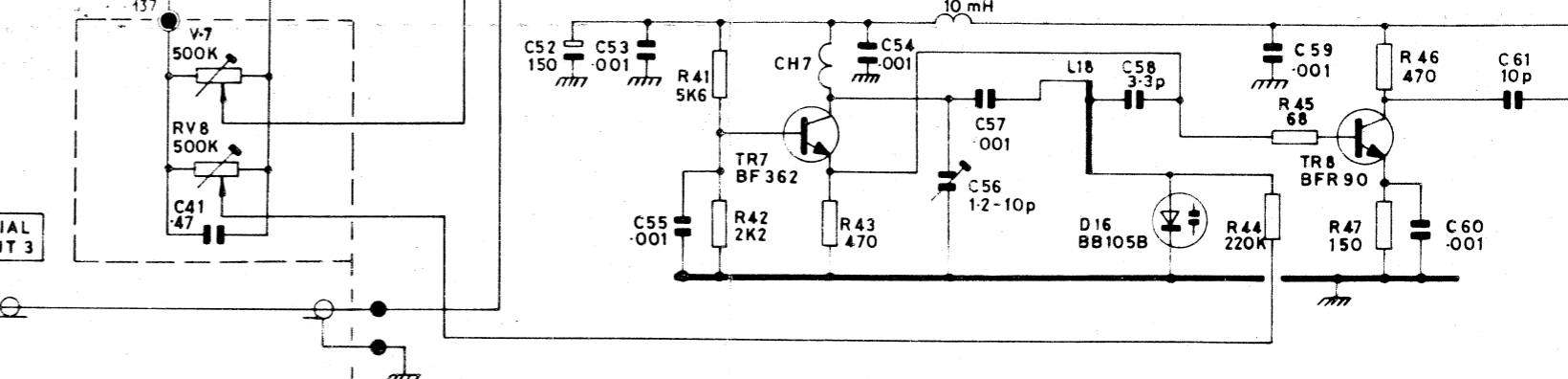
360 - 500 MHz AMPLIFIER



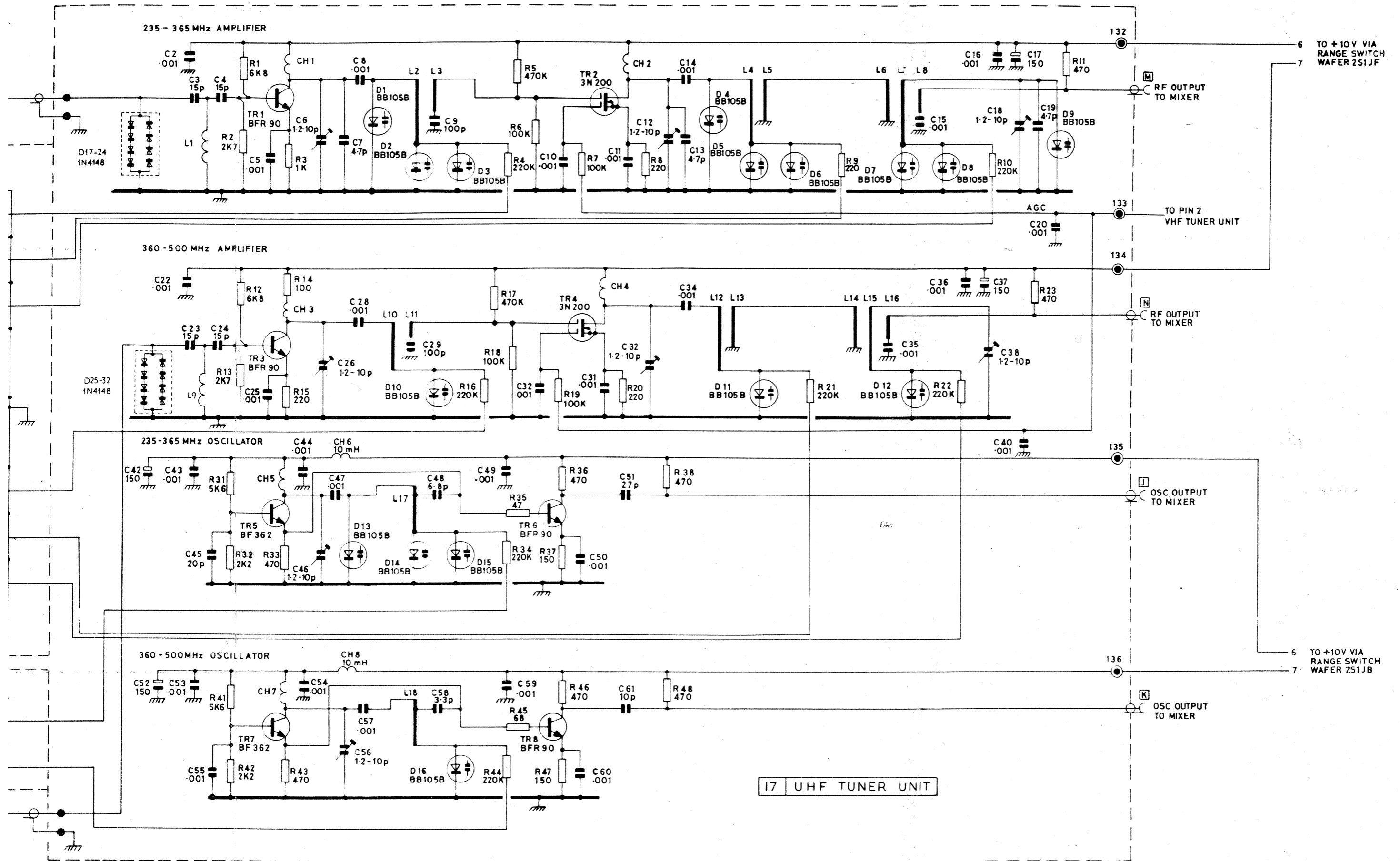
235-365 MHz OSCILLATOR

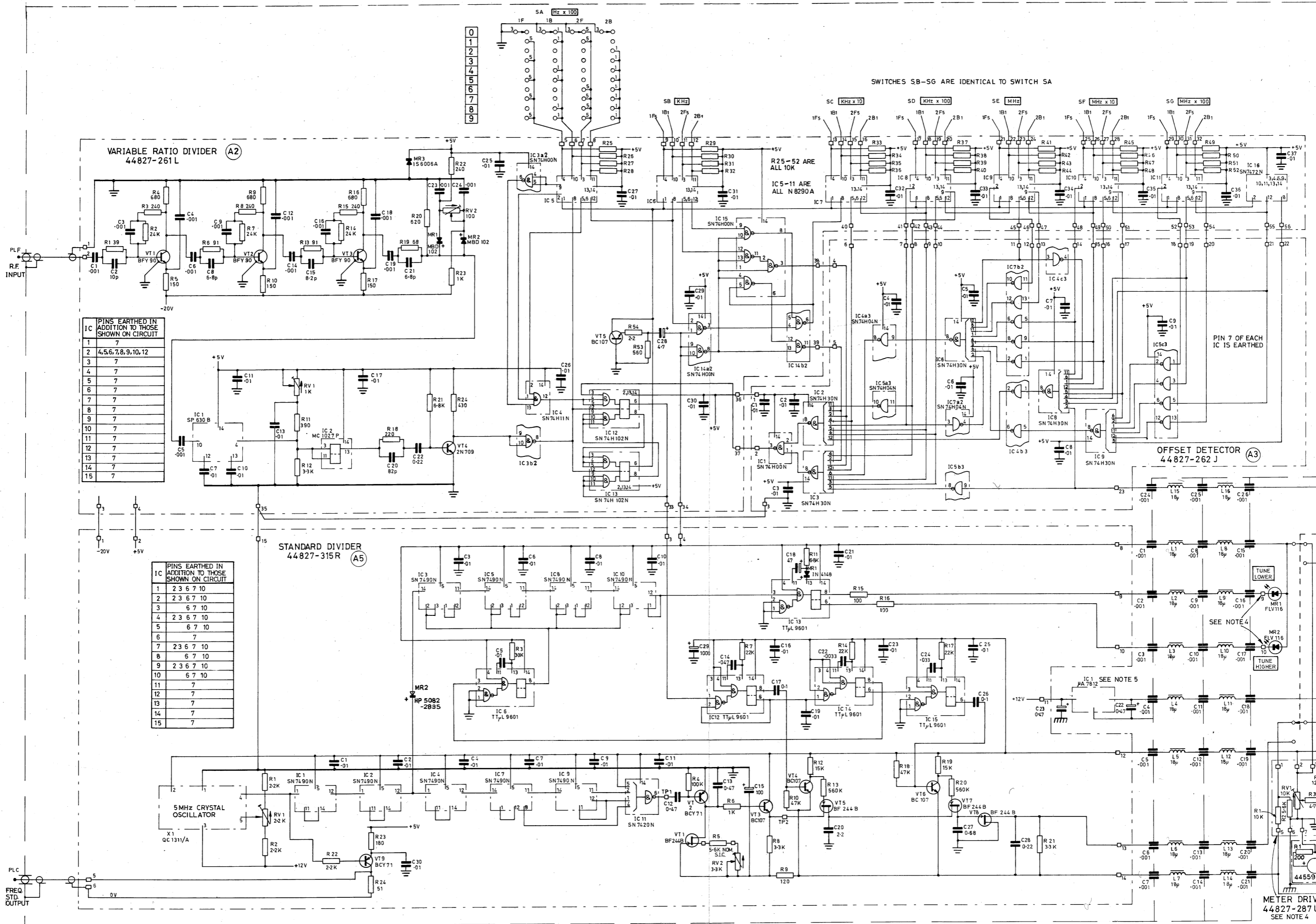


360 - 500 MHz OSCILLATOR



AERIAL INPUT 3





VARIABLE RATIO DIVIDER (A2)
44827-261 L

IC	PINS EARTHED IN ADDITION TO THOSE SHOWN ON CIRCUIT
1	7
2	4,5,6,7,8,9,10,12
3	7
4	7
5	7
6	7
7	7
8	7
9	7
10	7
11	7
12	7
13	7
14	7
15	7

STANDARD DIVIDER (A5)
44827-315 R

IC	PINS EARTHED IN ADDITION TO THOSE SHOWN ON CIRCUIT
1	2,3,6,7,10
2	2,3,6,7,10
3	6,7,10
4	2,3,6,7,10
5	6,7,10
6	7
7	2,3,6,7,10
8	6,7,10
9	2,3,6,7,10
10	6,7,10
11	7
12	7
13	7
14	7
15	7

5MHz CRYSTAL OSCILLATOR
QC1311/A

METER DRIVE (A4)
44827-287 U
SEE NOTE 4

OFFSET DETECTOR (A3)
44827-262 J

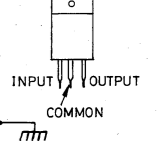
1. PRINTED BOARD PERIMETER

2. RF SCREENING

3. COMPONENTS NOT ON PRINTED BOARDS ARE IN A1.

4. TAGS 9 & 10, BETWEEN A1MR1 & A1C15 & BETWEEN A1MR2 & A1C17 RESPECTIVELY, ARE SITUATED ON METER DRIVE BOARD A4.

5. VOLTAGE REGULATOR CONNECTIONS --



TUNE LOWER

TUNE HIGHER

PLD SKD OFFSET SELECTOR

SUPPLY FOR REGULATOR

OUTPUT

SUPPLY TO TUNERS

+10V

EARTH

-18 V

ISS 1