



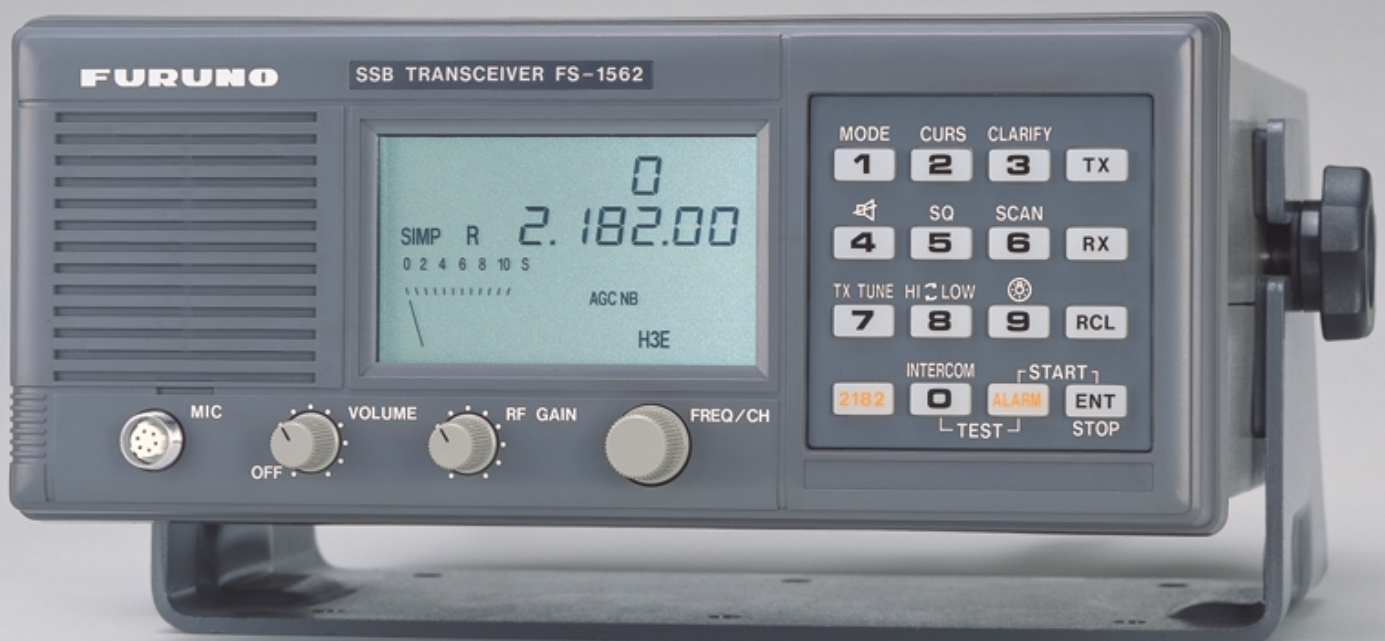
# FURUNO®

150 or 250 W version

## SSB RADIOTELEPHONE

Models FS-1562-15/FS-1562-25

Meets GMDSS carriage requirements



- Meets GMDSS carriage requirements
- All SSB/TELEX frequencies allocated by ITU are incorporated plus 200 user-programmable channels
- Independent or paired selection of transmit and receive frequencies (both displayed simultaneously)
- Intuitive frequency selection using rotary control or numeric keys. Selection of unauthorized transmit frequencies rejected and warning displayed
- DDS (Direct Digital Synthesizer) for quick Tx/Rx changeover
- Large illuminated LCD display provides detailed operational status information, including signal strength and transmitter antenna current
- Automatic antenna coupler quickly and efficiently tunes antennas between 7 and 30 meters in length
- Compact, sturdy cabinet design allows overhead, bulkhead or tabletop installation



© The future today with FURUNO's electronics technology

### FURUNO ELECTRIC CO., LTD.

9-52 Ashihara-cho, Nishinomiya City, Japan Telephone: +81 (0)798 65 2111  
Telefax: +81 (0)798 65 4200, 66-4622

Catalogue No. S-021g

TRADE MARK REGISTERED  
MARCA REGISTRADA

The FS-1562 series is a new MF/HF radiotelephone fully capable of GMDSS, MARITEX and TELEX operation, packaged in a compact, sturdy cabinet. The radiotelephone is available with 150 Wpep (FS-1562-15) or 250 Wpep (FS-1562-25) power output.

The high-performance DDS (Direct Digital Synthesizer) is computer-controlled to generate all authorized transmit frequencies between 1.6 and 27.5 MHz plus any receive frequency from 0.1 to 30 MHz in 10 Hz steps. On paired channels, the transmit frequency and the receive frequency are displayed simultaneously. Frequencies and channels are selected either by the rotary control or numeric keys. International calling and distress

frequency 2182 kHz is instantly selected by a single touch of the [2182] key.

The FS-1562 provides not only quality voice communication but also GMDSS operation with DSC Terminals DSC-5/5A/6/6A and MARITEX/TELEX operation with NBDP Terminal DP-5.

The fully automatic antenna coupler is supplied as standard and matches a whip or wire antenna 7 to 30 meters long. Tuning is achieved in less than 0.5 seconds on channels that have been tuned before and within 2 to 15 seconds on new channels.

## SPECIFICATIONS

### GENERAL CHARACTERISTICS

- Frequency Range**  
TX: 1.6 to 27.5 MHz, 100 Hz steps  
RX: 0.1 to 29.99999 MHz, 10 Hz steps
- Frequency Accuracy** 10 Hz (after warm-up)
- Communication System** Simplex or semi-duplex
- Class of Emission**  
J3E, H3E and J2B  
When 2182 kHz is recalled by the [2182] key, H3E is automatically selected.
- Power Supply**  
24 VDC +30/-10 %, 15 A (150 W),  
35 A (250 W) for TX, 2 A for RX  
115/230 VAC with extra rectifier

### TRANSMITTER CHARACTERISTICS

- RF Output Power**  
150W (FS-1562-15), 250 W (FS-1562-25) at 50-ohm load  
Reducible to 60 Wpep
- Two-tone Alarm Generator**  
Built in as standard. Complies with SOLAS requirements.

### ANTENNA COUPLER CHARACTERISTICS

- Input Impedance** 50 ohms
- Antenna** 7-30 m whip or wire
- Tuning Speed** 0.2 to 2 sec, typical

### RECEIVER CHARACTERISTICS

- Receiving System**  
Double-conversion super heterodyne  
IF: 54.455 MHz and 455 kHz
- Selectivity**  
J3E: 350 to 2700 Hz, H3E:  $\pm 3$  kHz, F1B:  $\pm 150$  Hz
- Sensitivity** (Input level to produce SINAD 20 dB)

	J3E	H3E	F1B
0.3 - 1.6 MHz (10 $\Omega$ + 250PF)	25 dB $\mu$ V	39 dB $\mu$ V	-
1.6 - 4 MHz (10 $\Omega$ + 250PF)	16 dB $\mu$ V	30 dB $\mu$ V	6 dB $\mu$ V
4 - 27.5 MHz (50 $\Omega$ )	3 dB $\mu$ V	-	-7 dB $\mu$ V
- Scan** Dwell time 1-99 sec where traffic is present
- Audio Output**  
1 W (8  $\Omega$  built-in speaker)  
5 W (4  $\Omega$  external speaker)

### EQUIPMENT LIST

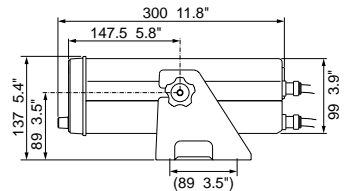
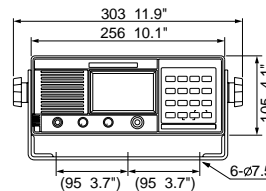
#### Standard

- Transceiver unit
- Telephone handset
- Antenna coupler AT-1560 (FS-1562-15), AT-1562-25 (FS-1562-25)
- Power Amplifier Unit PA-2500 for FS-1562-25

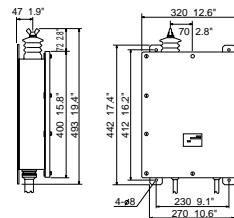
#### Optional

- Rectifier with changeover facility PR-300 for FS-1562-15  
PR-850A for FS-1562-25
- Distributor DB-120
- External speaker

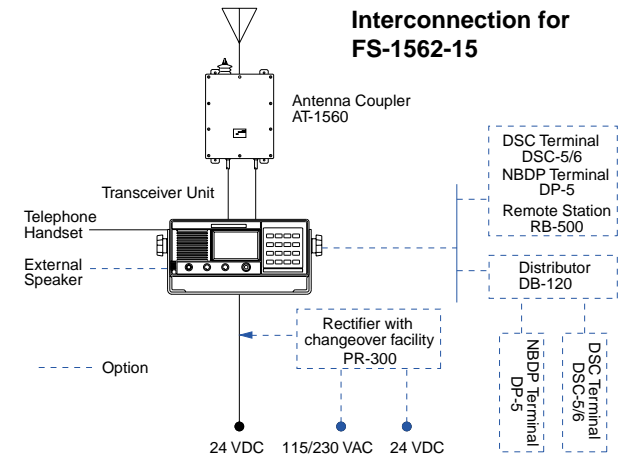
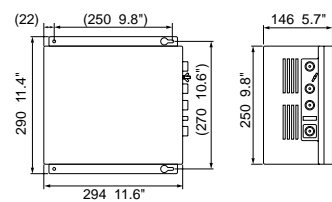
#### Transceiver Unit



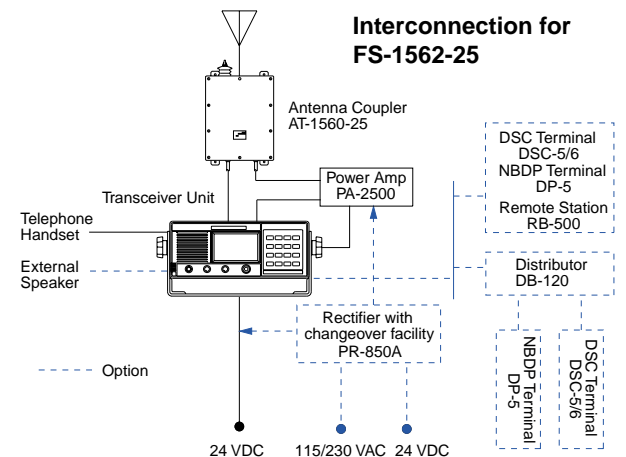
#### Antenna Coupler AT-1560/AT-1560-25



#### Power Amplifier PA-2500



#### Interconnection for FS-1562-15



#### Interconnection for FS-1562-25

SPECIFICATIONS SUBJECT TO CHANGE WITHOUT NOTICE

01085N Printed in Japan

#### FURUNO U.S.A., INC.

Camas, Washington, U.S.A.  
Phone: +1 360-834-9300 Telefax: +1 360-834-9400

#### FURUNO (UK) LIMITED

Denmead, Hampshire, U.K.  
Phone: +44 2392-230303 Telefax: +44 2392-230101

#### FURUNO FRANCE S.A.

Bordeaux-Mérignac, France  
Phone: +33 5 56 13 48 00 Telefax: +33 5 56 13 48 01

#### FURUNO ESPAÑA S.A.

Madrid, Spain  
Phone: +34 91-725-90-88 Telefax: +34 91-725-98-97

#### FURUNO DANMARK AS

Hvidovre, Denmark  
Phone: +45 36 77 45 00 Telefax: +45 36 77 45 01

#### FURUNO NORGE A/S

Alesund, Norway  
Phone: +47 70 102950 Telefax: +47 70 127021

#### FURUNO SVERIGE AB

Västra Frölunda, Sweden  
Phone: +46 31-7098940 Telefax: +46 31-497093

#### FURUNO SUOMI OY

Helsinki, Finland  
Phone: +358 9 341 7570 Telefax: +358 9 3417 5716