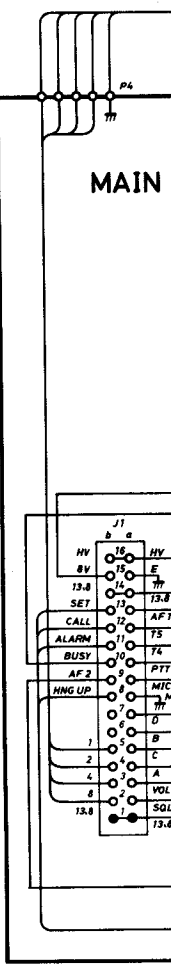
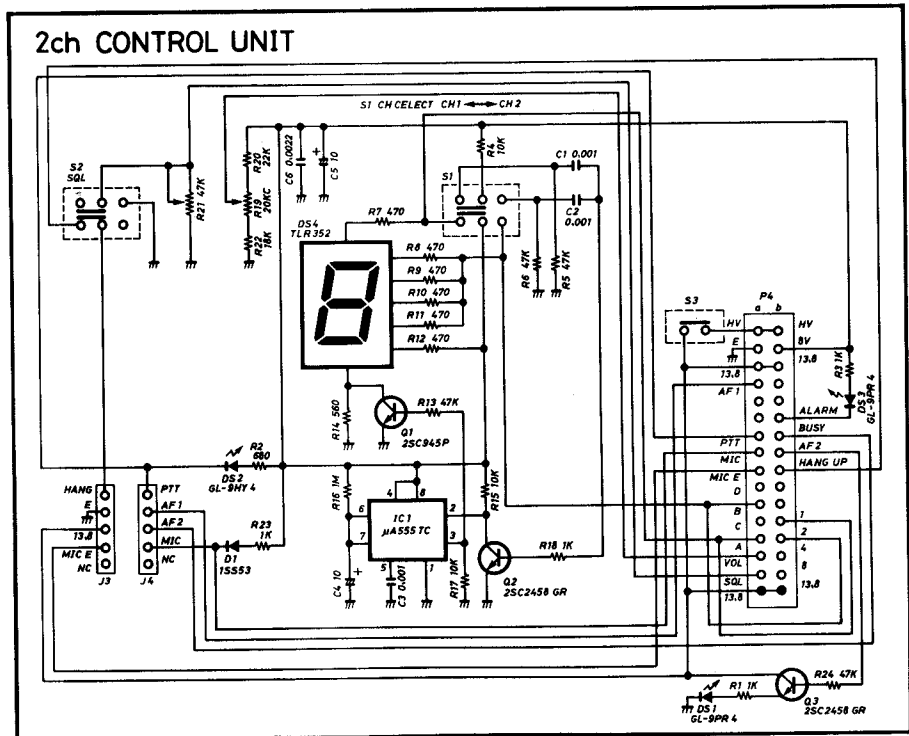
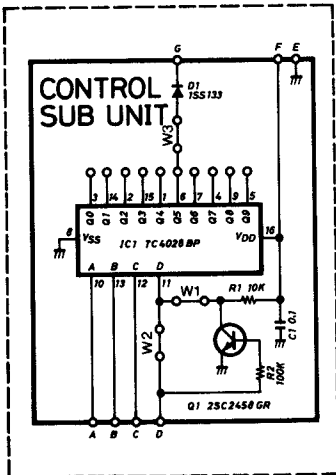
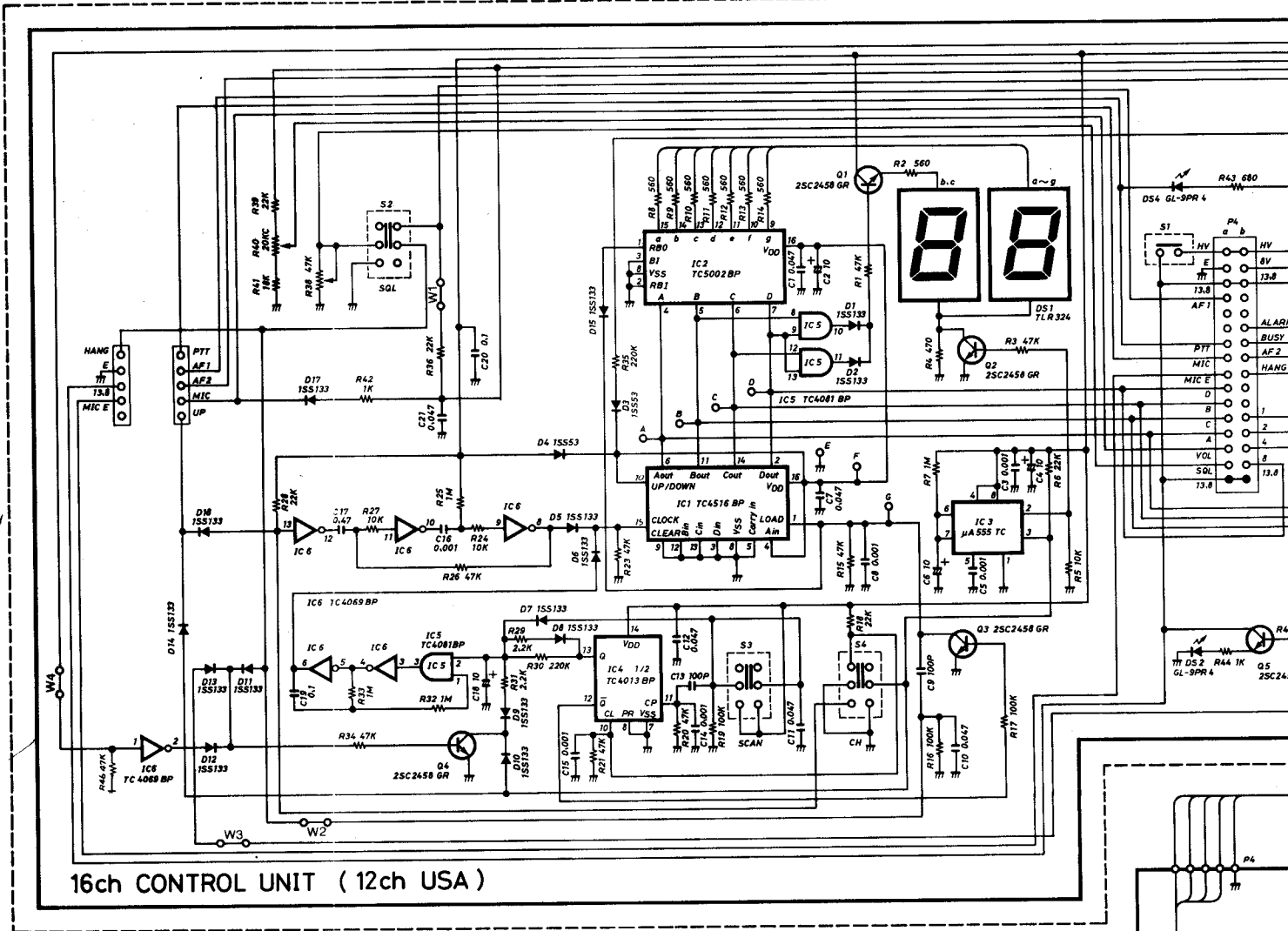
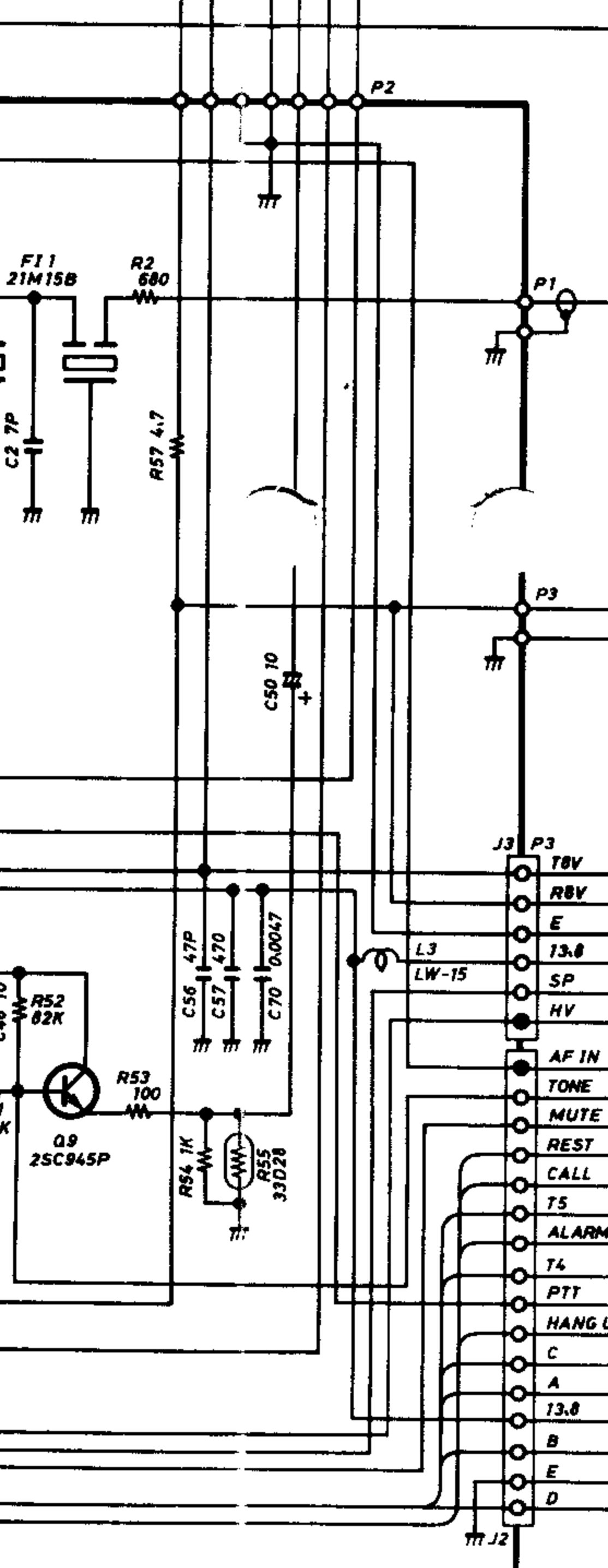
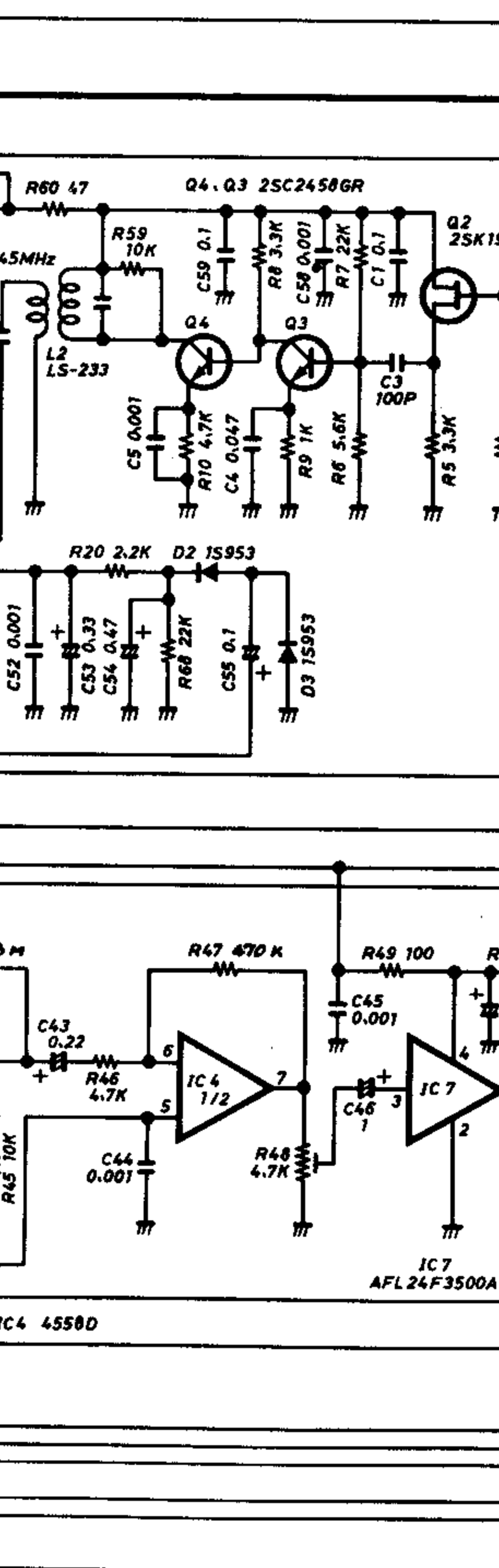
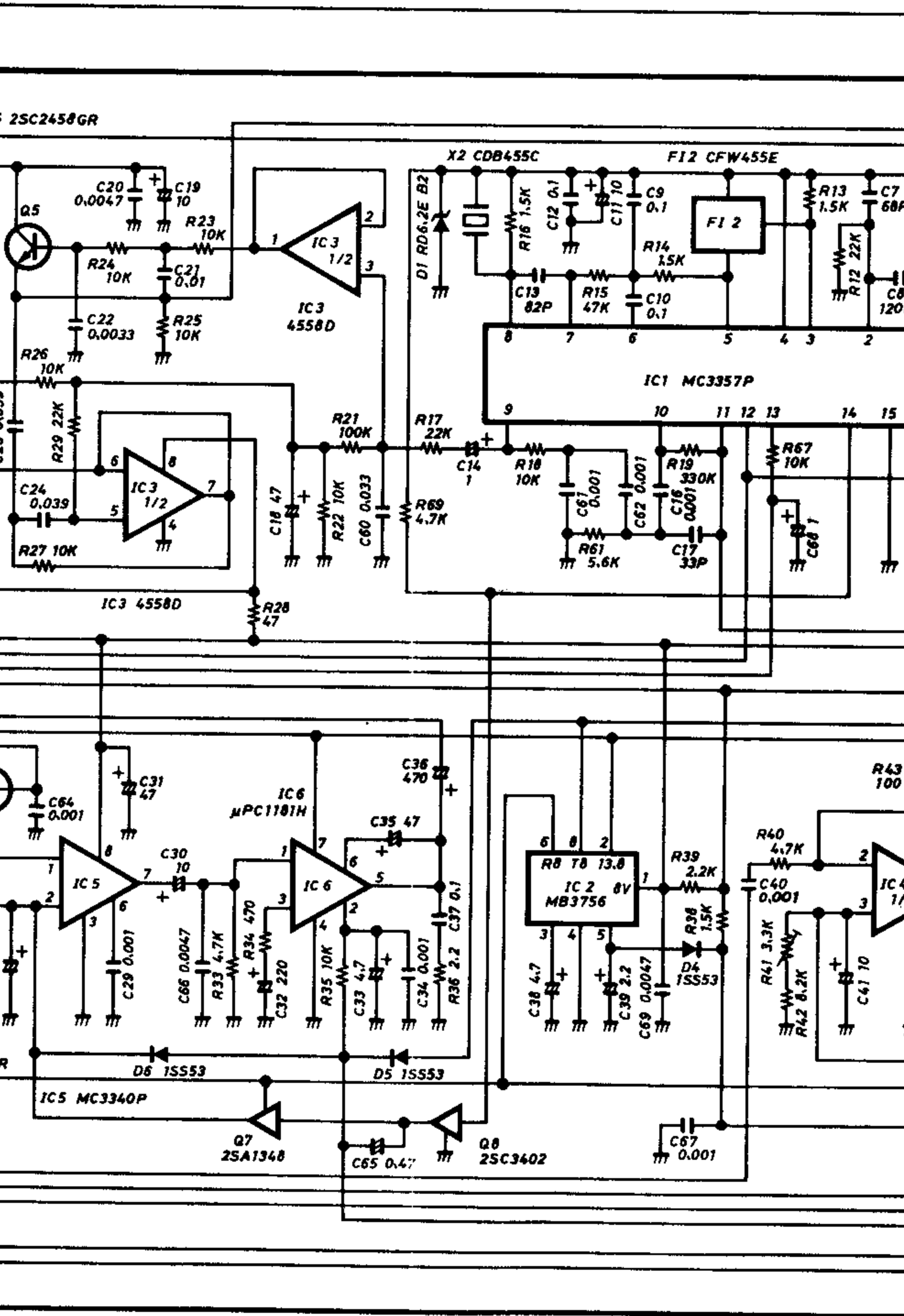
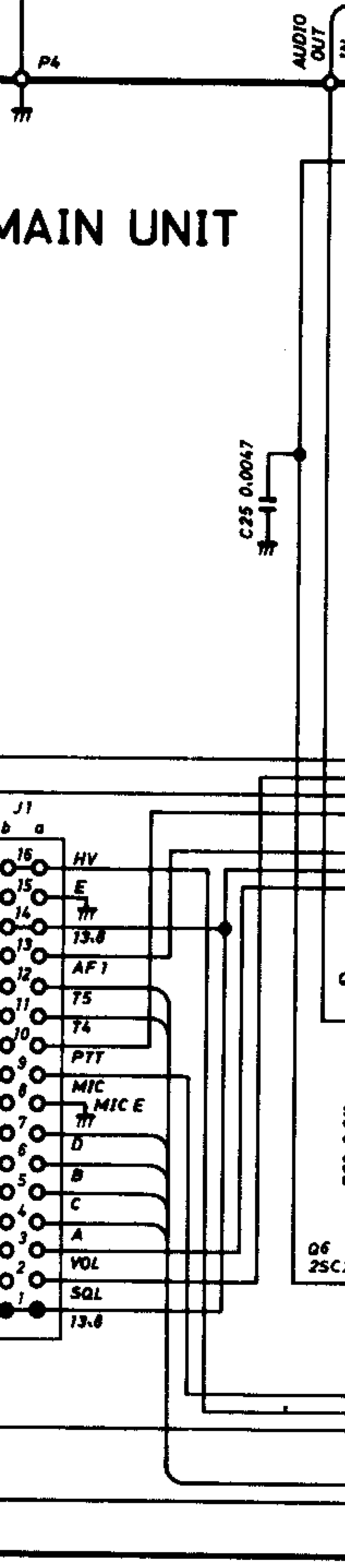
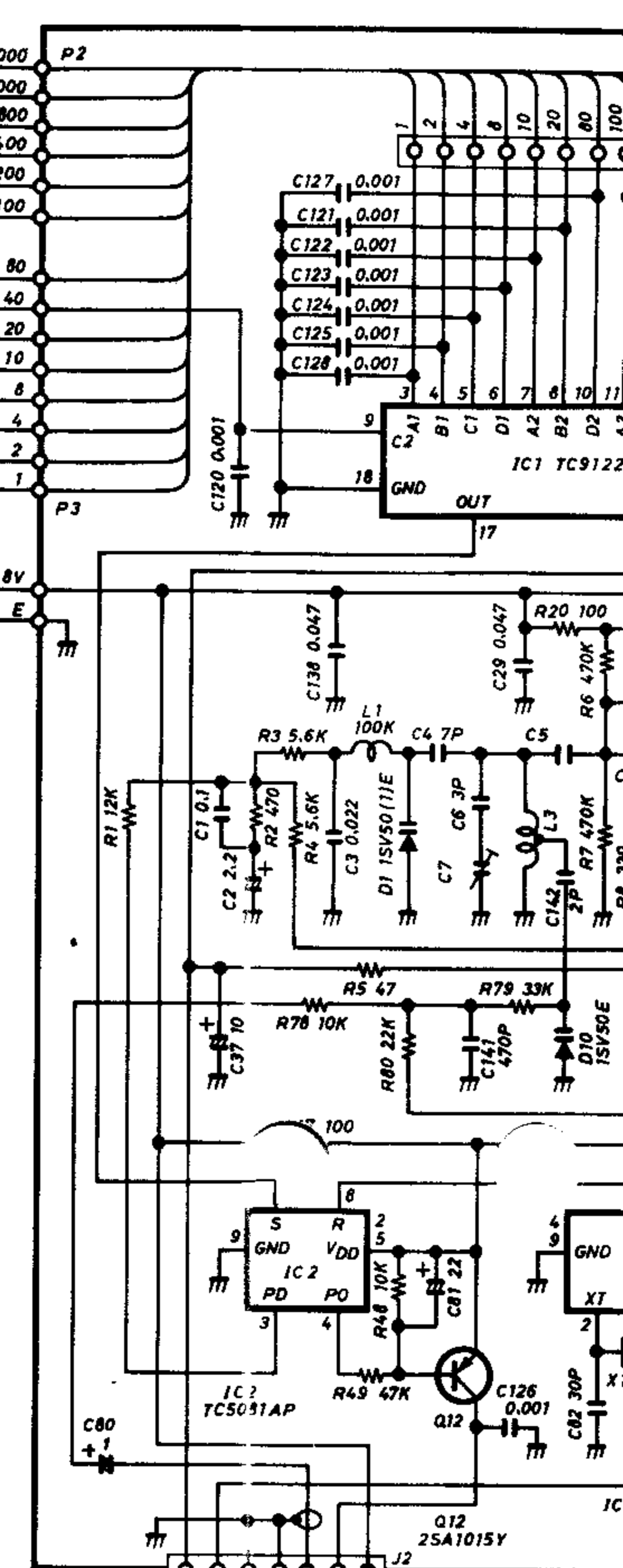
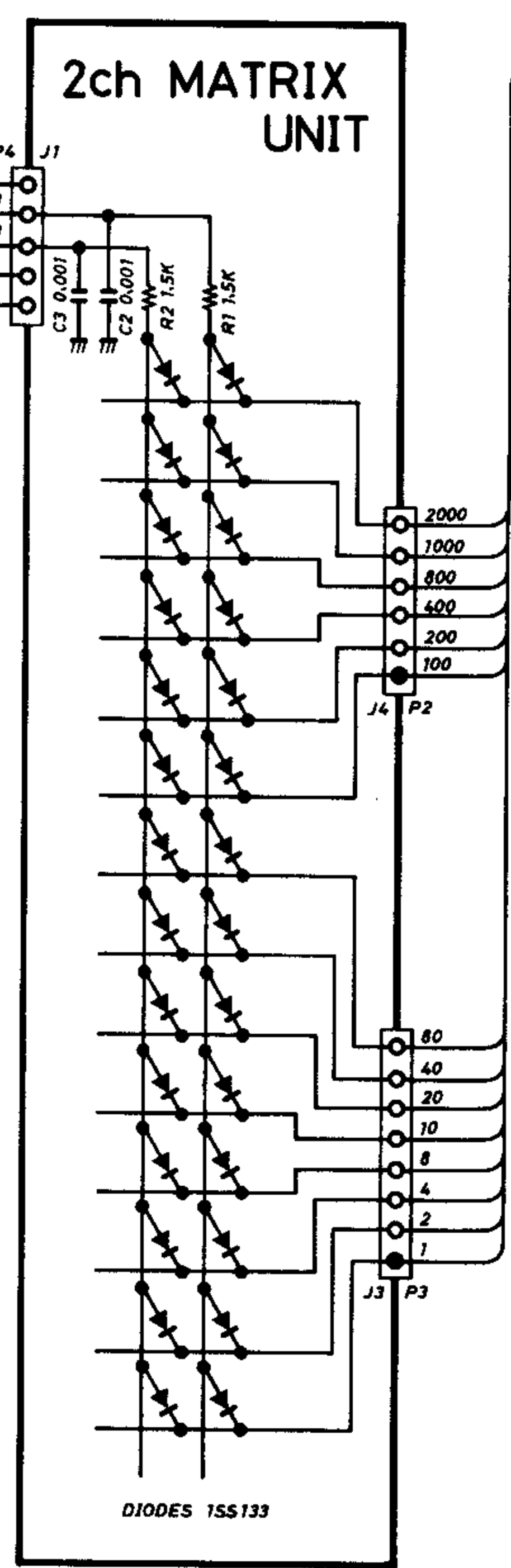
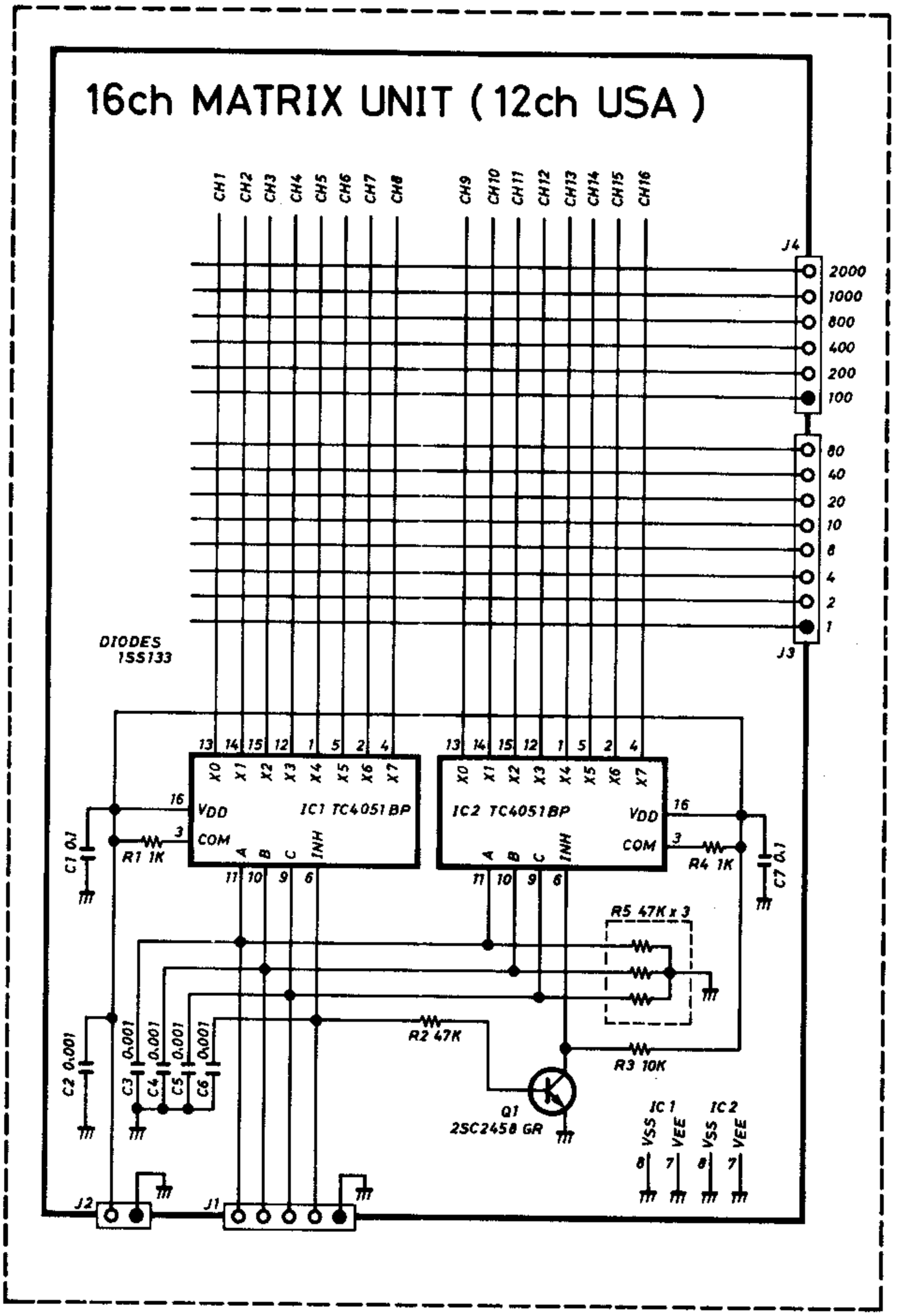
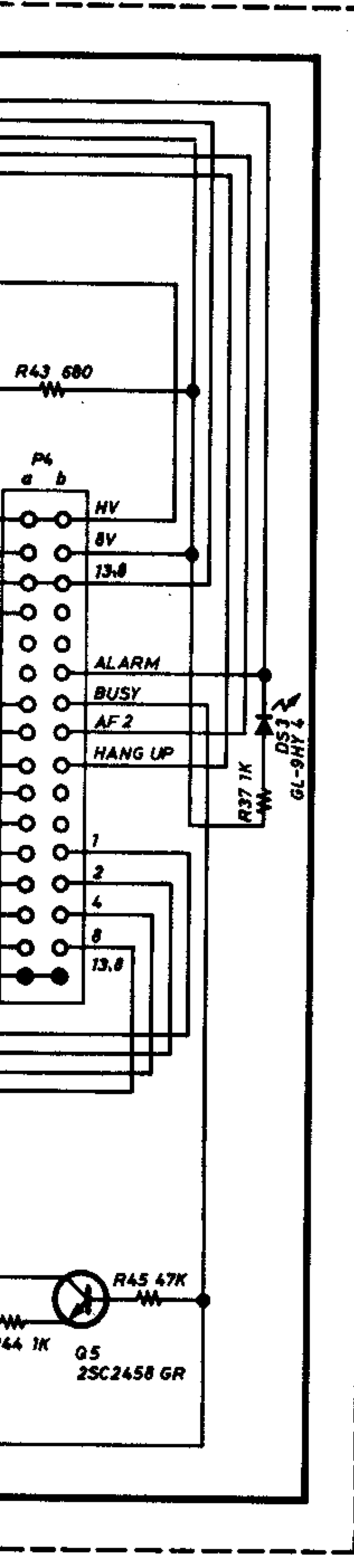


IC-435

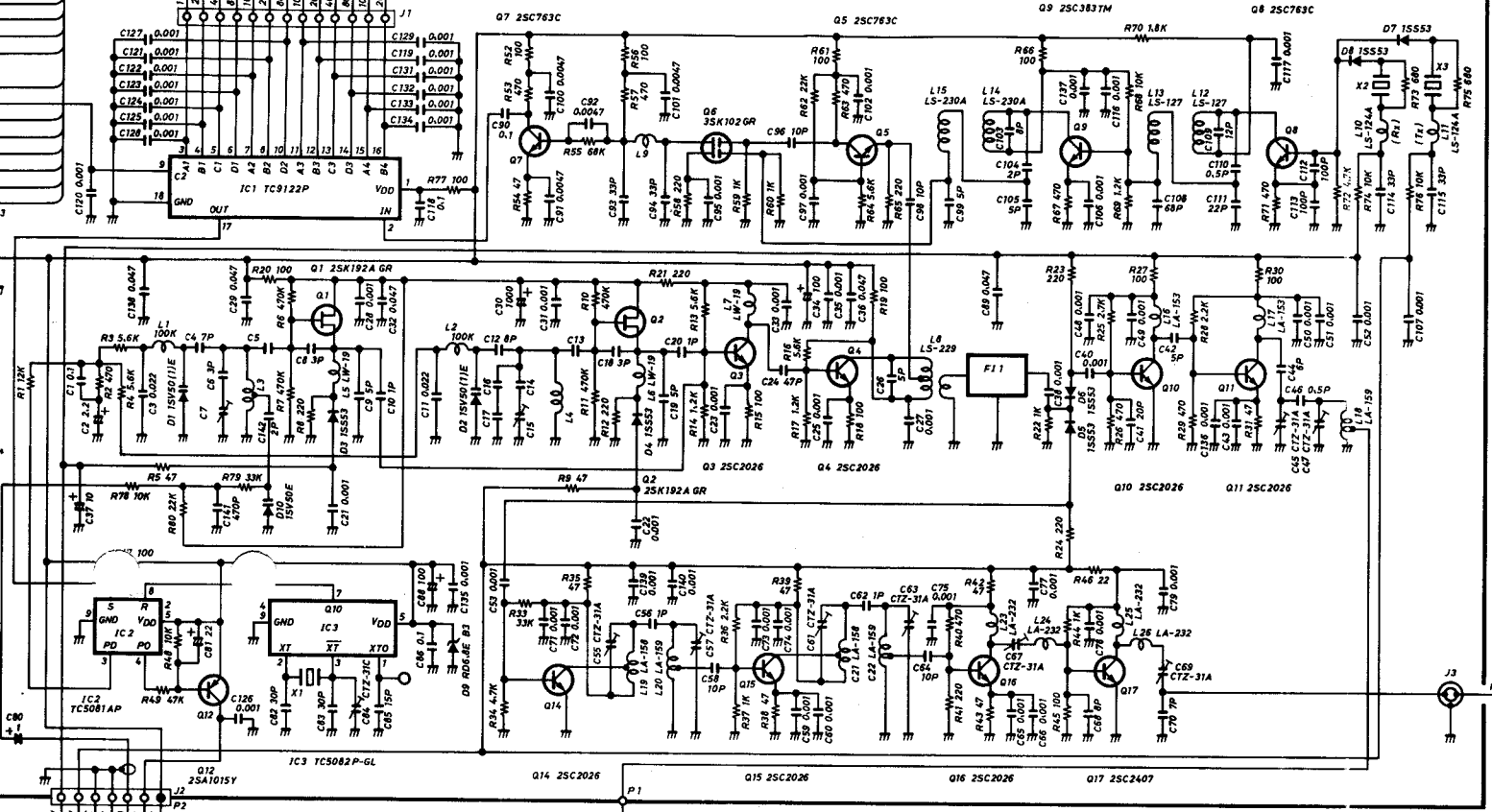
SCHEMATIC DIAG



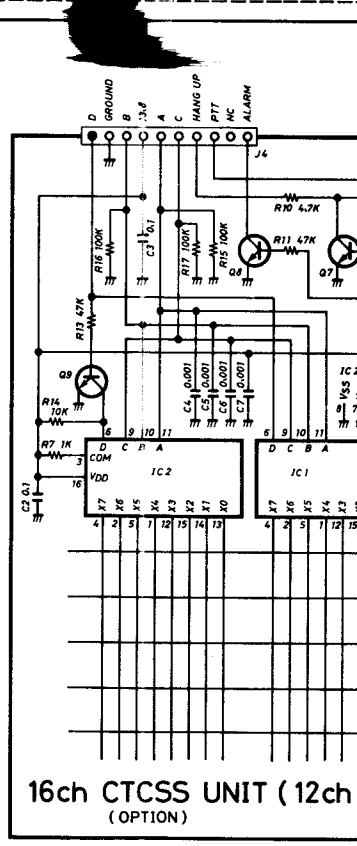
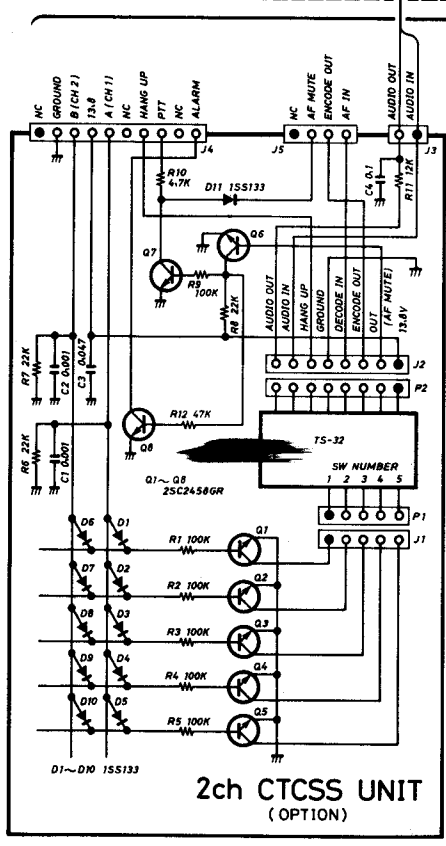
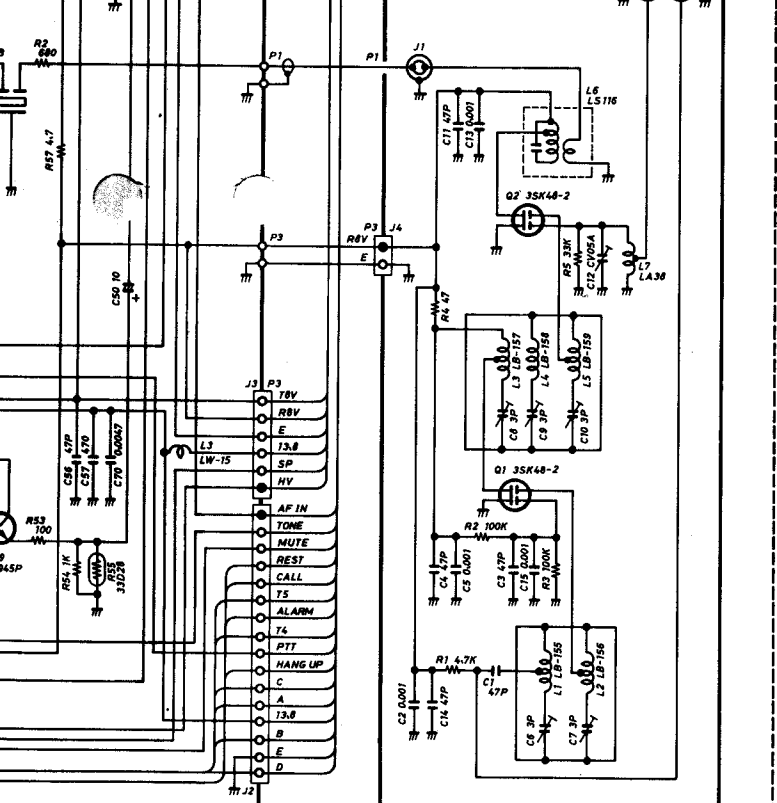
GRAM



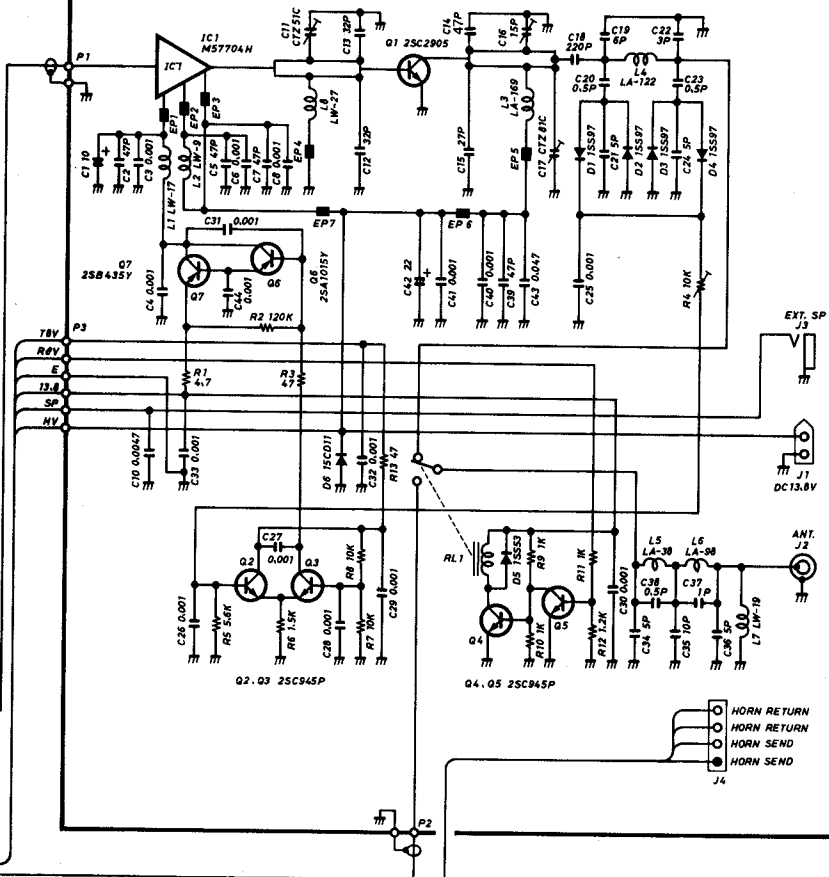
PLL UNIT



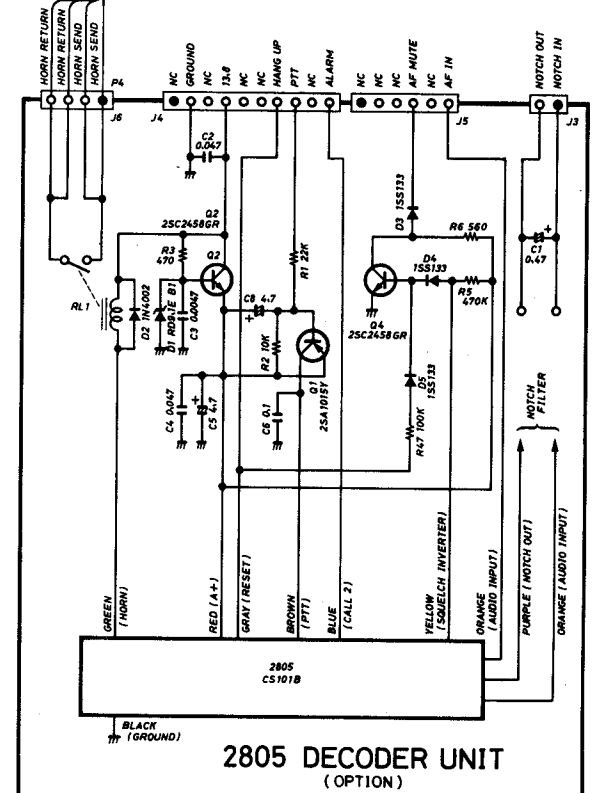
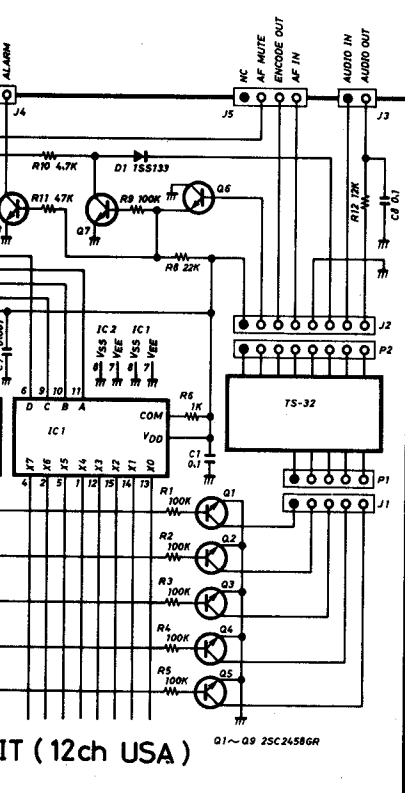
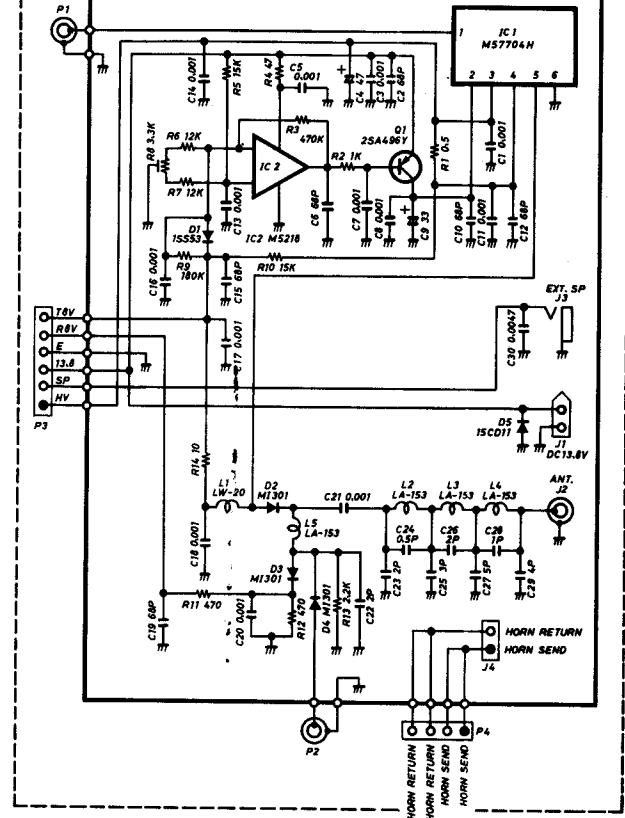
RF UNIT



35W/25W PA UNIT



10W/6W PA UNIT



PLL UNIT

	USA	West Germany	Australia
X1	2.56 MHz	5.12 MHz	6.4 MHz

	450~480	480~470	470~480	480~480	480~500	500~510	510~530
X2	52.794	54.044	55.294	56.544	57.794	59.044	60.294
X3 simplex	55.469	56.719	57.969	59.219	60.469	61.719	62.969
C4	7 pF		7 pF			6 pF	
C6	3 pF		3 pF			1 pF	
C12	8 pF		8 pF			7 pF	
C14	4 pF		3 pF			2 pF	
C16	4 pF		3 pF			2 pF	
C17	4 pF		3 pF			2 pF	