



## INSTRUCTION MANUAL

VHF TRANSCEIVER

**IC-F111**  
**IC-F121**

UHF TRANSCEIVER

**IC-F211**  
**IC-F221**



Icom Inc.

---

## IMPORTANT

---

**READ ALL INSTRUCTIONS** carefully and completely before using the transceiver.

**SAVE THIS INSTRUCTION MANUAL**— This instruction manual contains important operating instructions for the **IC-F111/F121 VHF TRANSCEIVERS** and **IC-F211/F221 UHF TRANSCEIVERS**.

---

## EXPLICIT DEFINITIONS

---

WORD	DEFINITION
<b>⚠ WARNING</b>	Personal injury, fire hazard or electric shock may occur.
<b>CAUTION</b>	Equipment damage may occur.
<b>NOTE</b>	If disregarded, inconvenience only. No risk of personal injury, fire or electric shock.

Icom, Icom Inc. and the Icom logo are registered trademarks of Icom Incorporated (Japan) in Japan, the United States, the United Kingdom, Germany, France, Spain, Russia and/or other countries.

---

## PRECAUTIONS

---

**⚠ WARNING! NEVER** connect the transceiver to an AC outlet. This may pose a fire hazard or result in an electric shock.

**⚠ WARNING! NEVER** connect the transceiver to a power source of more than 16 V DC such as a 24 V battery. This connection will ruin the transceiver.

**⚠ WARNING! NEVER** cut the DC power cable between the DC plug and fuse holder. If an incorrect connection is made after cutting, the transceiver might be damaged.

**⚠ WARNING! NEVER** place the transceiver where normal operation of the vehicle may be hindered or where it could cause bodily injury.

**CAUTION! NEVER** touch the transceiver (especially the **heat sink**) when transmitting continuously for long periods. It will become hot.

**CAUTION! NEVER** allow children to touch the transceiver.

**CAUTION! NEVER** expose the transceiver to rain, snow or any liquids. The transceiver may be damaged.

---

# TABLE OF CONTENTS

---

IMPORTANT .....	i
EXPLICIT DEFINITIONS.....	i
PRECAUTIONS.....	i
TABLE OF CONTENTS.....	ii
<b>1 PANEL DESCRIPTION.....</b>	<b>1-6</b>
■ Front panel .....	1
■ Function display .....	2
■ Programmable function keys.....	3
<b>2 OPERATION.....</b>	<b>7-10</b>
■ Turning power ON .....	7
■ Channel selection.....	7
■ Receiving and transmitting.....	8
<b>3 CONNECTION AND MAINTENANCE .....</b>	<b>11-15</b>
■ Rear panel and connection .....	11
■ Supplied Accessories.....	12
■ Mounting the transceiver.....	13
■ Optional UT-108 installation .....	13
■ Optional UT-109 or UT-110 installation.....	14
■ Optional OPC-617 installation .....	14
■ Antenna.....	15
■ Fuse replacement .....	15
■ Cleaning.....	15
<b>4 OPTIONS.....</b>	<b>16</b>
<b>5 SAFETY TRAINING INFORMATION.....</b>	<b>17</b>
<b>6 FCC INFORMATION.....</b>	<b>18</b>

---

**USE** the supplied microphone only. Other microphones have different pin assignments and may damage the transceiver.

**DO NOT** use or place the transceiver in areas with temperatures below  $-22^{\circ}\text{F}$  ( $-30^{\circ}\text{C}$ ) or above  $+140^{\circ}\text{F}$  ( $+60^{\circ}\text{C}$ ), or in areas subject to direct sunlight, such as the dashboard.

**DO NOT** operate the transceiver without running the vehicle's engine. The vehicle's battery will quickly run out if the transceiver transmits while the vehicle's engine OFF.

**DO NOT** place the transceiver in excessively dusty environments.

**DO NOT** place the transceiver against walls. This will obstruct heat dissipation.

**DO NOT** use chemical agents such as benzine or alcohol when cleaning, as they damage the transceiver surfaces.

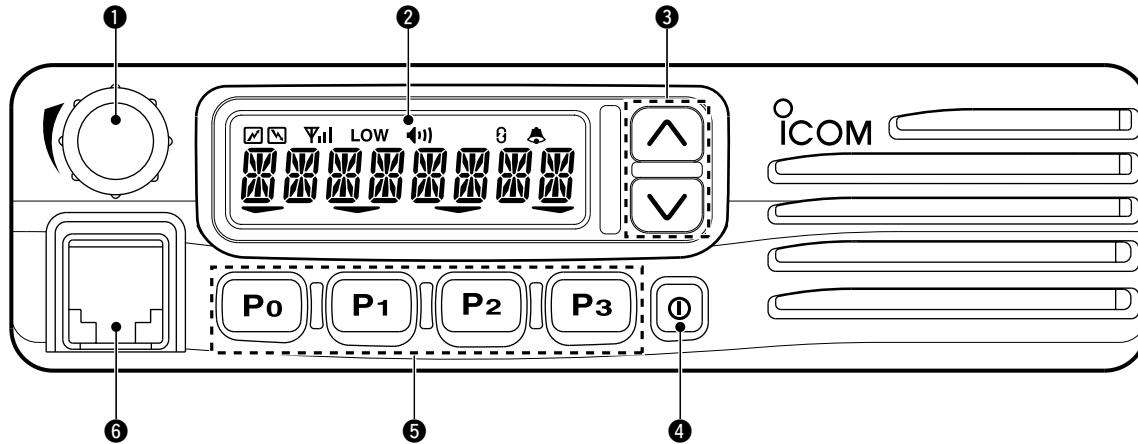
***For U.S.A. only***

**CAUTION:** Changes or modifications to this transceiver, not expressly approved by Icom Inc., could void your authority to operate this transceiver under FCC regulations.

# 1

## PANEL DESCRIPTION

### ■ Front panel



#### 1 AF VOLUME CONTROL KNOB

Rotate the knob to adjust the audio output level.

- Minimum audio level is pre-programmed.

#### 2 FUNCTION DISPLAY

Displays a variety of information, such as an operating channel number/name, 5-tone code, DTMF numbers and audible condition, etc.

**NOTE:** The above functions depend on pre-programming.

#### 3 UP/DOWN [^]/[v] KEYS

➤ Push to select the operating channel.

- Can be programmed for one of several functions by your dealer. (Same as [P0] to [P3] keys)

#### 4 POWER SWITCH [POWER]

Push to turn the power ON and OFF.

• The following functions are available at power ON as options:

- Automatic scan start
- Password prompt
- Set mode

**5 DEALER-PROGRAMMABLE KEYS [P0] to [P3]**

Desired functions can be programmed independently by your dealer.

**6 MICROPHONE CONNECTOR**

Connect the supplied or optional microphone.

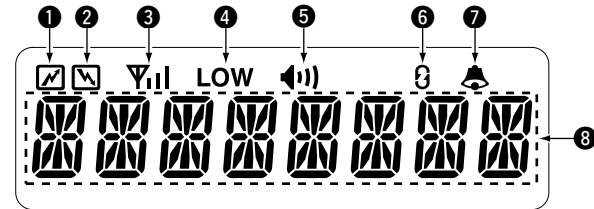
**NEVER** connect non-specified microphones. The pin assignments may be different and the transceiver may be damaged.

**◇ MICROPHONE**

The supplied or optional microphone has a PTT switch and a hanger hook.

- The following functions are available when the microphone is on or off hook:
  - Automatic scan start when on hook.
  - Automatic priority channel selection when off hook.
  - Sets to 'Inaudible' condition (mute condition) when on hook.
  - Sets to 'Audible' condition (unmute condition) when off hook.

**Function display**



**1 TRANSMIT INDICATOR**

Appears while transmitting.

**2 BUSY INDICATOR**

Appears while the channel is busy.

**3 SIGNAL STRENGTH METER**

Indicates relative receive signal strength level.

**4 LOW POWER INDICATOR**

Appears when low output power is selected.

**5 AUDIBLE INDICATOR**

Appears when the channel is in the 'Audible' condition (unmute condition).

**6 SCRAMBLER INDICATOR**

Appears when the scrambler function is activated. (Optional UT-109 (#02)/UT-110 (#02) SCRAMBLER UNIT is required.)

---

# 1 PANEL DESCRIPTION

## 7 2/5TONE INDICATOR

Appears when the specified 2/5-tone call is received.

## 8 ALPHANUMERIC DISPLAY

Displays the CH number, 5-tone indication, DTMF numbers, Audible indication, etc.

## ■ Programmable function keys

The following functions can be assigned to [P0], [P1], [P2], [P3], [^] and [v] programmable function keys.

Consult your Icom dealer for details concerning your transceiver's programming.

In the following explanations, programmable function names are bracketed. The specific switch used to activate the function depends on programming.

### • CH UP AND DOWN KEYS

- Select an operating channel.
- Select a transmit code channel after pushing the [TX CH] key.
- Select a DTMF channel after pushing the [DTMF] key.
- Select a scan group after pushing and holding the [SCAN] key.



### • BANK KEY

- Select and determine a bank number.

• **SCAN START/STOP KEY**

**SCN A** Push this key to start scanning; and push again to stop.

**SCN B**

 **NOTE:** Place the microphone on hook to start scanning.  
 Take the microphone off hook to stop scanning.

• **SCAN TAG KEY**

**TAG** Adds or deletes the selected channel to the scan group.

• **PRIORITY CHANNEL KEYS**

**PRI A** Push these keys to select priority A or priority B channel, respectively.

**PRI B**

• **OPERATING CHANNEL KEYS**

**MR-1** Select an operating channel directly.

**MR-2**


**MR-3**

**MR-4**

• **MONITOR KEY**

**MONI** Activates one of (or two of) the following functions on each channel independently:

- Push and hold the key to unmute the channel (audio is emitted; 'Audible' condition).
- Push the key to toggle between the mute and unmute conditions (toggles between 'Audible' and 'Inaudible').
- Push the key to mute the channel (sets to 'Inaudible' only).
- Push the key to unmute the channel (sets to 'Audible' only).
- Push the key after communication is finished to send a 'reset code'.

 **NOTE:** The unmute condition ('Audible' condition) may automatically return to the mute condition ('Inaudible' condition) after a specified period depending on the pre-setting.

• **LOCK KEY**

**LOCK** Push this key for 1 sec. to lock all programmable keys except the following:

- **[CALL]** (incl. **[CAL A]** and **[CAL B]**), **[MONI]** and **[EMER]** keys.

---

# 1 PANEL DESCRIPTION

## • **OUTPUT POWER SELECTION KEYS**

- H/L** Select the transmit output power temporarily, or permanently, depending on the pre-setting.
- Contact your dealer for the output power level for each selection.

## • **TALK AROUND KEY**

- TA** Turns the talk around function ON and OFF.
- The talk around function equalizes the transmit frequency to the receive frequency for mobile-to-mobile communication.

## • **WIDE/NARROW KEY**

- W/N** Push this key to toggle the bandwidth between wide or narrow.

## • **DTMF AUTODIAL KEY**

- DTMF** Push this key to display the text of the DTMF channel number and set the desired channel number via the [**^**]/[**V**] key. Then, push this key again to transmit a specified DTMF code.

## • **CALL KEY**

- CALL** Transmit a 2-tone, 5-tone code.
- Call transmission is necessary before you call another station depending on your signaling system.
- CAL A**
- CAL B**
- The [**CAL A**] and/or [**CAL B**] keys may be available when your system employs selective 'Individual/Group' calls. Contact your dealer about which call is assigned to each key.

## • **EMERGENCY KEY**

- EMER** Push and hold the key to transmit an emergency call.
- If you want to cancel the emergency call, push and hold (or push) the key again before transmitting the call.
  - Depending on the pre-setting, the emergency call is transmitted one time only, or repeatedly, until receiving a control code.

## • **HOOK SCAN**

- HOOK** When the Hook Scan function is turned ON, push this key to stop scanning temporarily. Push this key again to re-start scanning.

## • **TX CODE KEY**

- TX CH** Select a transmit 5-tone code (station code) channel.



• **SCRAMBLER KEY**

**SCRM**

- Push and hold to turn the voice scrambler function ON.
- Push this key to turn the voice scrambler function OFF.

**NOTE:**

- The optional UT-109 (#02) or UT-110 (#02) VOICE SCRAMBLER UNIT is required.
  - UT-109 : Non-rolling type.  
32 codes are available.
  - UT-110 : Rolling type. Provides higher communication security.  
1020 (4 groups × 255) codes are available.
- This transceiver requires version #02 of these units. Do not install version #01, as they are not compatible.
- Some PC board modifications are required when installing UT-109 or UT-110. Please refer to 'Optional UT-109 or UT-110 installation'. (p. 14)
- Please contact your dealer for details.

• **USER SET MODE KEY**

**SET**

- Changes the contents of the items in the User Set mode. Please refer to p. 10.
- Push and hold this key for 1 sec. to enter set mode. Push this key again momentarily to select the desired item. Push [^]/[v] to set the desired level/condition. Push and hold this key again to exit set mode.
  - User set mode also available via the 'Power ON function'.

## ■ Turning power ON

- ① Push [⓪] to turn the power ON.
- ② If the transceiver is programmed for a start up passcode, input the digit codes as directed by your dealer.
  - The keys in the table below can be used for password input.
  - The transceiver detects numbers in the same block as identical. Therefore "01234" and "56789" are same.

KEY	P <sub>0</sub>	P <sub>1</sub>	P <sub>2</sub>	P <sub>3</sub>	⓪
NUMBER	0 5	1 6	2 7	3 8	4 9

- ③ When the "PASSWORD" indication does not clear after inputting 4 digits, the input code number is incorrect. In this case, turn the power off and start over.

## ■ Channel selection

Several types of channel selection are available. The methods may differ according to your system setup.

### **NON-BANK TYPE:**

Push [^]/[v] to select the desired operating channel in sequence; or, push one of the [CH 1] to [CH 4] keys to select a channel directly.

### **BANK-TYPE:**

Push [BANK] to select the desired bank number or name.

### **AUTOMATIC SCAN TYPE:**

Channel setting is not necessary for this type. When turning the power ON, the transceiver automatically starts scanning. Scanning stops when receiving a call or when taking the microphone off hook.

## ■ Receiving and transmitting

### RECEIVING:

- ① Push [⓪] to turn the power ON.
- ② Push [^] and [v] to select a channel.
- ③ When receiving a call, adjust the audio output level to a comfortable listening level.

### TRANSMITTING:

- ① Take the microphone off hook.
  - 2-tone, 5-tone mute may be released. (The 'audible' condition is selected and "🔊" appears.)
  - A priority channel may be selected automatically.
- ② Wait for the channel to become clear.
  - The channel is busy when "🔊" appears.
- ③ Push the [CALL] key when initiating a call from your side.
  - Coded audio may be heard from the transceiver, then "🔊" appears.
  - This operation may not be necessary depending on your signaling system. Contact your dealer.
- ④ While pushing and holding [PTT], speak into the microphone at your normal voice level.
- ⑤ Release [PTT] to receive.

**IMPORTANT!:** To maximize the readability of your signal;

- ➡ Pause briefly after pushing [PTT].
- ➡ Hold the microphone 5 to 10 cm (2 to 4 inches) from your mouth, then speak into the microphone at a normal voice level.

### ◆ Transmitting notes

#### • Transmit inhibit function

The transceiver has several inhibit functions which restrict transmission under the following conditions:

- The channel is in mute condition ('Inaudible' condition; "🔊" does not appear).
- Channel is busy.
- A matched/un-matched CTCSS code is received. (Depending on the pre-setting.)
- The selected channel is a 'receive only' channel.

#### • Time-out timer

After continuous transmission for a pre-programmed period, the time-out timer is activated causing the transceiver to stop transmitting and automatically select receive.

#### • Penalty timer

Once the time-out timer is activated, transmission is further inhibited for a period determined by the penalty timer.

---

## 2 OPERATION

### ◇ TX code channel selection

If the transceiver has a [TX CH] key, the display can be toggled between the operating channel number (or name) and TX code channel number (or name). When the TX code channel number (or name) is displayed, the [^] or [v] key selects the TX code channel.

#### *To select a TX channel:*

- ① Push [TX CH]—a TX code channel appears.
- ② Push [^] or [v] to select the desired TX code channel.
- ③ After selecting, push [TX CH] to set.
  - Returns to the stand-by mode.
- ④ Push [CALL] to transmit the selected TX code.

### ◇ TX code number selection

If the transceiver has a [TX CH] key, the TX code contents can be changed within the allowable digits.

#### *To select a TX code:*

- ① Push [TX CH]—a TX code number appears, and the first digit blinks.
- ② Push [^] or [v] to select the desired number of the blinking digit.
- ③ Push [TX CH] to enter the selected number and the next digit will start blinking automatically.
- ④ Repeat step ② and ③ to input all allowed digits.
- ⑤ Push [CALL] to transmit the selected TX code.

### ◇ DTMF transmission

If the transceiver has a [DTMF] key, the automatic DTMF transmission function is available. Up to 8 DTMF channels may be available.

#### *To transmit a DTMF code:*

- ① Push [DTMF]—a DTMF code channel appears.
- ② Push [^]/[v] to select the desired DTMF channel.
- ③ Push and hold [DTMF] to transmit the DTMF code on the selected DTMF channel.

### ◇ Scrambler function

The UT-109 (#02) or UT-110 (#02) optional voice scrambler unit provides high performance private communication between stations with the same scrambler codes.

#### *To turn the scrambler function ON and OFF:*

- ① Push and hold [SCRM] to turn the scrambler function ON.
- ② Push [SCRM] to turn the function OFF.

## ◇ User set mode

User set mode is accessed at power ON, and allows you to set seldom-changed settings. In this case you can “customize” transceiver operation to suit your preferences and operating style.

### ***Entering the user set mode:***

- ① While pushing and holding [**▲**] and [**▼**], push [POWER] to enter user set mode ON, allowing you to set seldom changed settings.
- ② Push and hold [**P0**] to select the appropriate item. Then, push [**▲**] or [**▼**] to set the desired level/mode.
  - Available set mode functions;
    - Backlight : OFF, Dim, Auto or ON
    - Beep : OFF or ON
    - SQL Level : 0 to 255
    - AF Min level : 0 to 255
- ③ Push [POWER] (or push and hold [**P0**]) again to exit set mode.

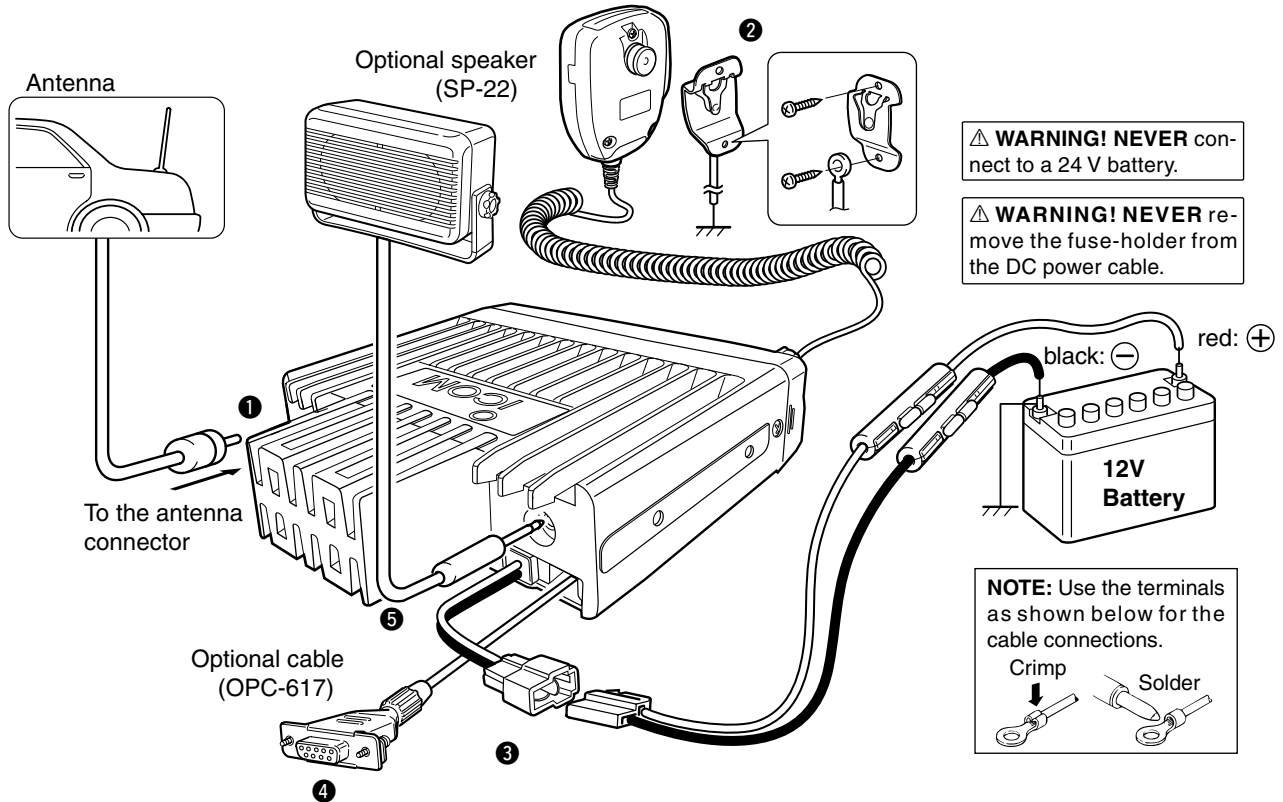
User set mode is also available via a programmable key. Please refer to p. 6 [**SET**] section.

[**SET**] is allowed for the quick item selection. Set “Enable” for the often used items with the CS-F100 CLONING SOFTWARE.

# 3

## CONNECTION AND MAINTENANCE

### ■ Rear panel and connection



## ■ Supplied Accessories

### 1 ANTENNA CONNECTOR

Connects to an antenna. Contact your dealer about antenna selection and placement.

### 2 MICROPHONE HANGER

Connect the supplied microphone hanger to the vehicle's ground for microphone on/off hook functions. (See p. 2)

### 3 DC POWER RECEPTACLE

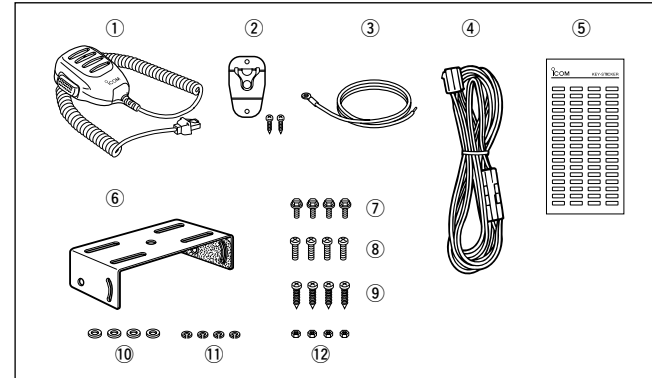
Connects to a **12 V DC** battery. Pay attention to polarities.  
 ⚠ **WARNING! NEVER** connect to a **24 V** battery. This could damage the transceiver.

### 4 OPTIONAL CABLE (OPC-617)

Connect an external modem unit, dimmer control, etc.

### 5 EXTERNAL SPEAKER JACK

Connect a 4–8 Ω external speaker, if desired.



- |   |       |                                     |   |
|---|-------|-------------------------------------|---|
| ① Microphone .....                            | 1     | ⑥ Mounting bracket .....            | 1 |
| ② Microphone hanger and screw set .....       | 1 set | ⑦ Bracket bolts .....               | 4 |
| ③ Microphone hanger cable ...                 | 1     | ⑧ Mounting screws (M5×12)...        | 4 |
| ④ DC power cable (OPC-1132) .....             | 1     | ⑨ Self-tapping screws (M5×20) ..... | 4 |
| ⑤ Function name stickers* (KEY STICKER) ..... | 1     | ⑩ Flat washers .....                | 4 |
|   |       | ⑪ Spring washers .....              | 4 |
|   |       | ⑫ Nuts .....                        | 4 |

#### \*Function name stickers

There are no names on the programmable function keys since the functions can be freely assigned to these keys.

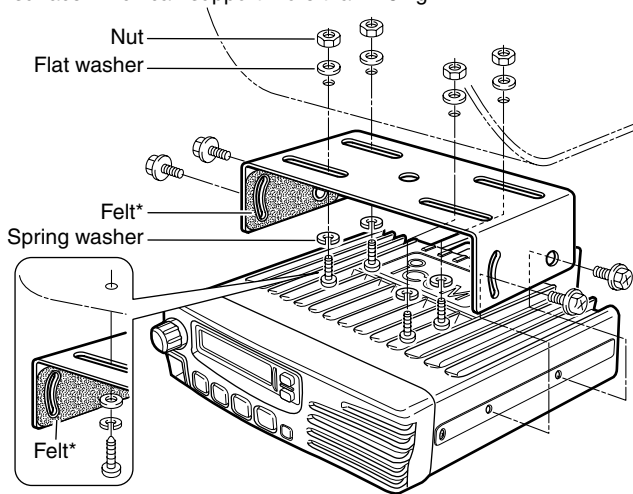
Attach the supplied function name stickers above the appropriate keys for easy recognition of that key's assigned function.

### 3 CONNECTION AND MAINTENANCE

## ■ Mounting the transceiver

The universal mounting bracket supplied with your transceiver allows overhead mounting.

- Mount the transceiver securely with the 4 supplied screws to a thick surface which can support more than 1.5 kg.



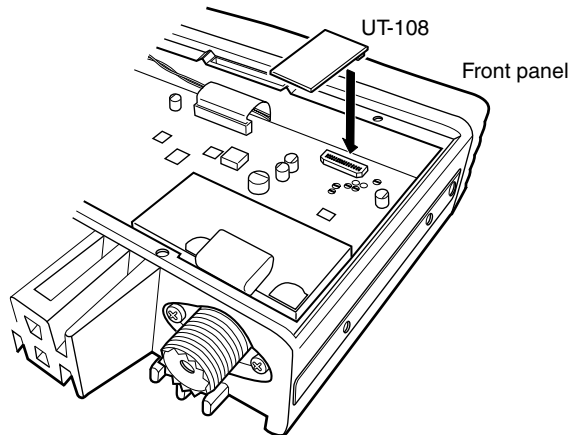
When using self-tapping screws

\*Felts reduce the vibration effects.

## ■ Optional UT-108 installation

Install the optional UT-108 unit as follows:

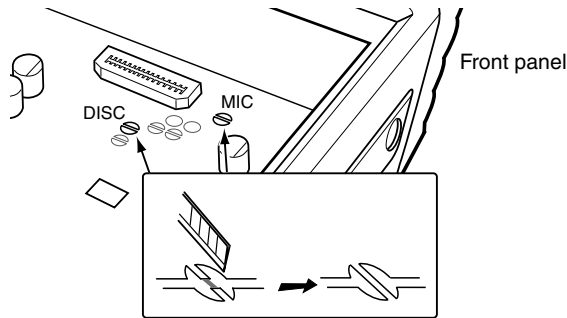
- ① Turn the power OFF, then disconnect the DC power cable.
- ② Unscrew the 4 cover screws, then remove the bottom cover.
- ③ Install the unit as shown in the diagram below.
- ④ Replace the bottom cover and screws, then re-connect the DC power cable.



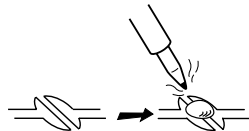


## ■ Optional UT-109 or UT-110 installation

- ① Turn the power OFF, then disconnect the DC power cable.
- ② Unscrew the 4 cover screws, then remove the bottom cover.
- ③ Cut the pattern on the PCB at the TX mic circuit (MIC) and RX AF circuit (DISC) as shown below.
- ④ Install the scrambler unit as described in the installation of optional UT-108 as on the page at left.
- ⑤ Replace the bottom cover and screws.

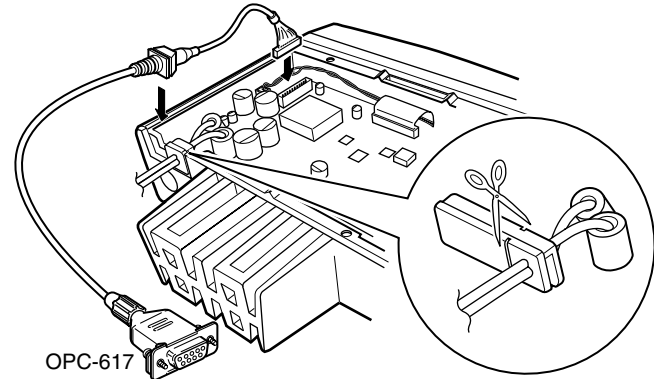


**NOTE:** Be sure to re-solder the above disconnected points when you remove the scrambler units. Otherwise no TX modulation or AF output is available.



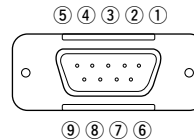
## ■ Optional OPC-617 installation

Install the OPC-617 as shown below.



Cut off the bushing as in the illustration, when you install the optional OPC-617.

### OPTIONAL CABLE PIN ASSIGNMENT



- |                                     |                        |
|-------------------------------------|------------------------|
| ① Dimmer cont. IN or IGSW cont. IN  | ⑥ Horn drive cont. OUT |
| ② AF OUT                            | ⑦ AF GND               |
| ③ Det. AF OUT                       | ⑧ Det. AF GND          |
| ④ Mod. IN                           | ⑨ Mod. GND             |
| ⑤ PTT control IN or FTSW control IN |                        |

---

## 3 CONNECTION AND MAINTENANCE

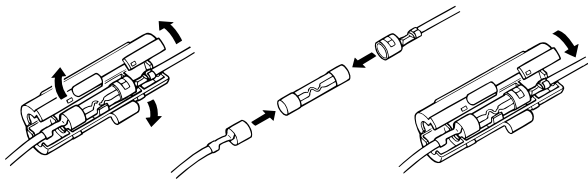
### ■ Antenna

A key element in the performance of any communication system is an antenna. Contact your dealer about antennas and the best places to mount them.

### ■ Fuse replacement

Two fuses are installed in the supplied DC power cable. If a fuse blows or the transceiver stops functioning, track down the source of the problem if possible, and replace the damaged fuse with a new rated one.

□ Fuse rating: 20 A



### ■ Cleaning

If the transceiver becomes dusty or dirty, wipe it clean with a soft, dry cloth.



**AVOID** the use of solvents such as benzene or alcohol, as they may damage the transceiver surfaces.

- **SP-22** EXTERNAL SPEAKER  
Compact and easy-to-install.  
Input impedance : 4  $\Omega$   
Max. input power : 5 W
- **HM-152/HM-152T/HM-148G/HM-148T** HAND MICROPHONES  
HM-152 : Hand microphone  
HM-152T : DTMF microphone  
HM-148G : Self ground heavy duty microphone  
HM-148T : Self ground heavy duty DTMF microphone  
The 10-keypad of this microphone can be used  
for the DTMF code transmission only.
- **SM-25** DESKTOP MICROPHONE
- **UT-108** DTMF DECODER UNIT  
Provides pager and code squelch capabilities.
- **UT-109/UT-110 (#02)** SCRAMBLER UNITS  
UT-109 : Non-rolling type (max. 32 codes)  
UT-110 : Rolling type (max. 1020 codes)
- **OPC-617** ACC CABLE  
Allows you to connect to an external terminal.

Approved Icom optional equipment is designed for optimal performance when used with an Icom transceiver. Icom is not responsible for the destruction or damage to an Icom transceiver in the event the Icom transceiver is used with equipment that is not manufactured or approved by Icom.

Some options may not be available in some countries. Please ask your dealer for details.



Your Icom radio generates RF electromagnetic energy during transmit mode. This radio is designed for and classified as “Occupational Use Only”, meaning it must be used only during the course of employment by individuals aware of the hazards, and the ways to minimize such hazards. This radio is **NOT** intended for use by the “General Population” in an uncontrolled environment.

- For compliance with FCC and Industry Canada RF Exposure Requirements, the transmitter antenna installation shall comply with the following two conditions:

1. The transmitter antenna gain shall not exceed 0 dBi.
2. IC-F121:

The antenna is required to be located outside of a vehicle and kept at a distance of 1 meter or more between the transmitting antenna of this device and any persons during operation. For small vehicle as worst case, the antenna shall be located on the roof top at any place on the centre line along the vehicle in order to achieve 1 meter separation distance. In order to ensure this distance is met, the installation of the antenna must be mounted at least 1 meter away from the nearest edge of the vehicle in order to protect against exposure to bystanders.

3. IC-F221:

The antenna is required to be located outside of a vehicle and kept at a distance of 79 centimeters or more between the transmitting antenna of this device and any persons during operation. For small vehicle as worst case, the antenna shall be located on the roof top at any place on the centre line along the vehicle in order to achieve 79 centimeters separation distance. In order to ensure this distance is met, the installation of the antenna must be mounted at least 79 centimeters away from the nearest edge of the vehicle in order to protect against exposure to bystanders.



To ensure that your exposure to RF electromagnetic energy is within the FCC allowable limits for occupational use, always adhere to the following guidelines:

- **DO NOT** operate the radio without a proper antenna attached, as this may damage the radio and may also cause you to exceed FCC RF exposure limits. A proper antenna is the antenna supplied with this radio by the manufacturer or an antenna specifically authorized by the manufacturer for use with this radio.
- **DO NOT** transmit for more than 50% of total radio use time (“50% duty cycle”). Transmitting more than 50% of the time can cause FCC RF exposure compliance requirements to be exceeded. The radio is transmitting when the “TX indicator” lights red. You can cause the radio to transmit by pressing the “PTT” switch.

### Electromagnetic Interference/Compatibility

During transmissions, your Icom radio generates RF energy that can possibly cause interference with other devices or systems. To avoid such interference, turn off the radio in areas where signs are posted to do so. **DO NOT** operate the transmitter in areas that are sensitive to electromagnetic radiation such as hospitals, aircraft, and blasting sites.

**FOR CLASS B UNINTENTIONAL RADIATORS**

This equipment has been tested and found to comply with the limits for a Class B digital device, pursuant to part 15 of the FCC Rules. These limits are designed to provide reasonable protection against harmful interference in a residential installation. This equipment generates, uses and can radiate radio frequency energy and, if not installed and used in accordance with the instructions, may cause harmful interference to radio communications. However, there is no guarantee that interference will not occur in a particular installation. If this equipment does cause harmful interference to radio or television reception, which can be determined by turning the equipment off and on, the user is encouraged to try to correct the interference by one or more of the following measures:

- Reorient or relocate the receiving antenna.
- Increase the separation between the equipment and receiver.
- Connect the equipment into an outlet on a circuit different from that to which the receiver is connected.
- Consult the dealer or an experienced radio/TV technician for help.





**Count on us!**

A-6235H-1EX-③  
Printed in Japan  
© 2003–2009 Icom Inc.

**Icom Inc.**  
1-1-32 Kamiminami, Hirano-ku, Osaka 547-0003, Japan