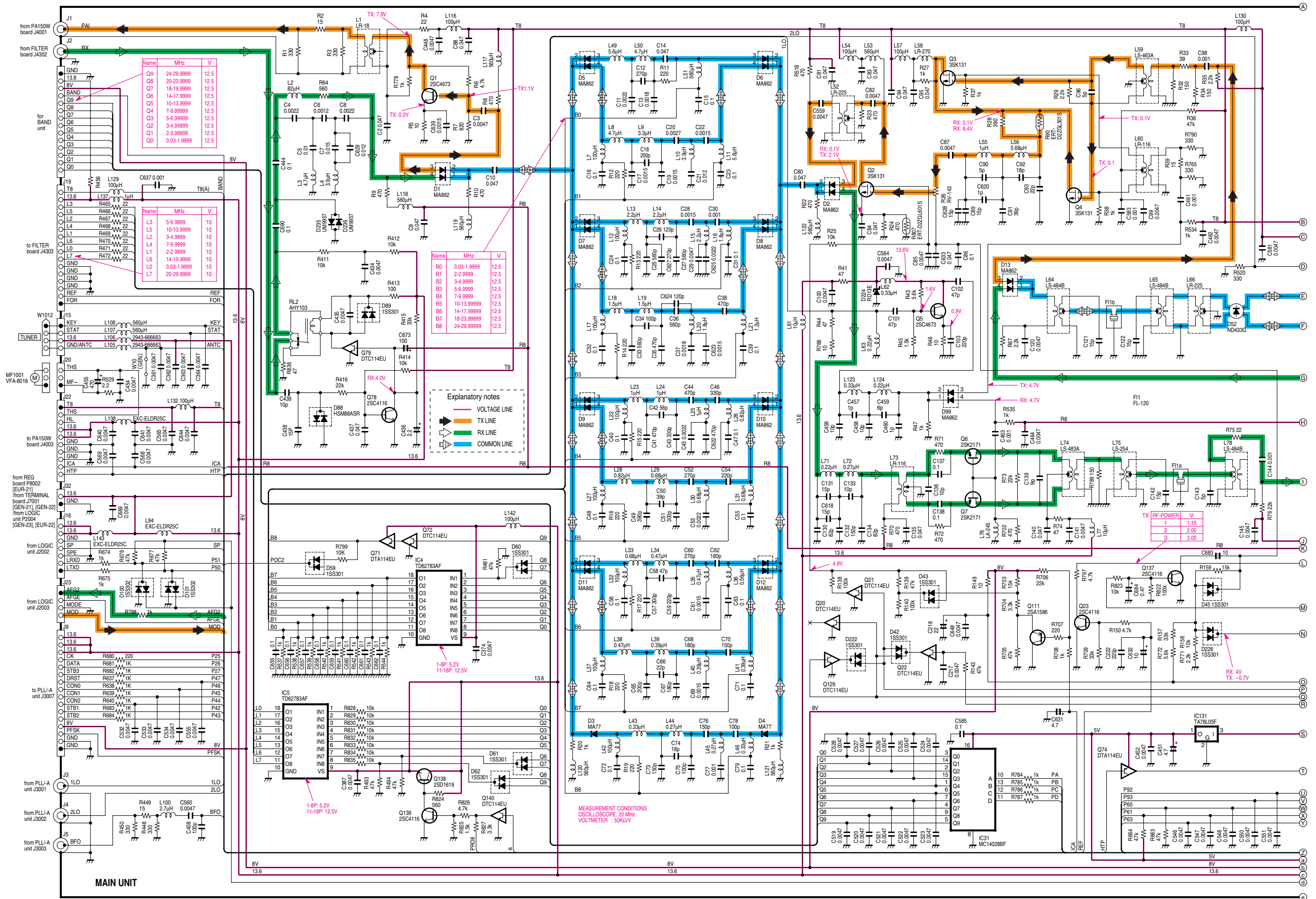
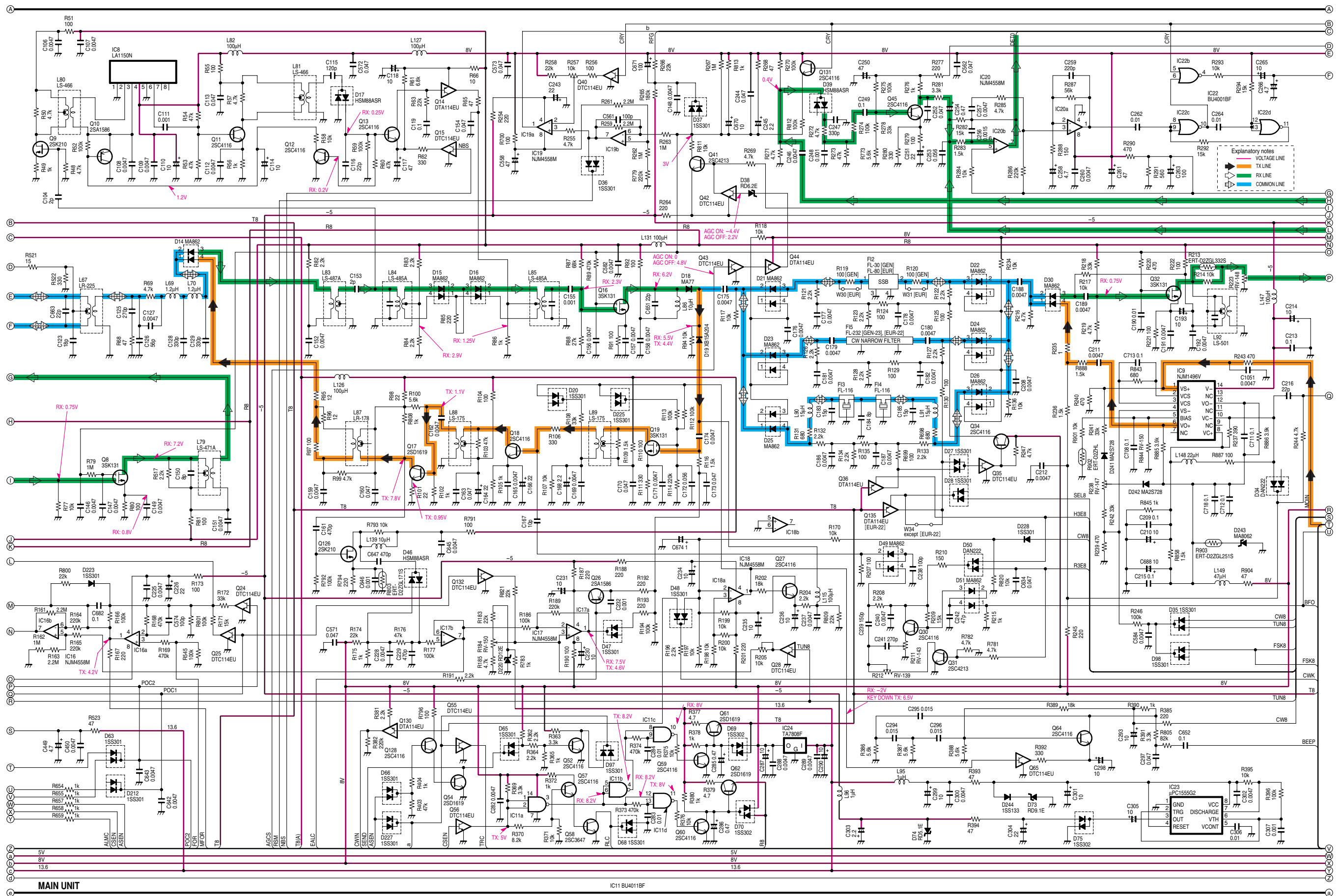
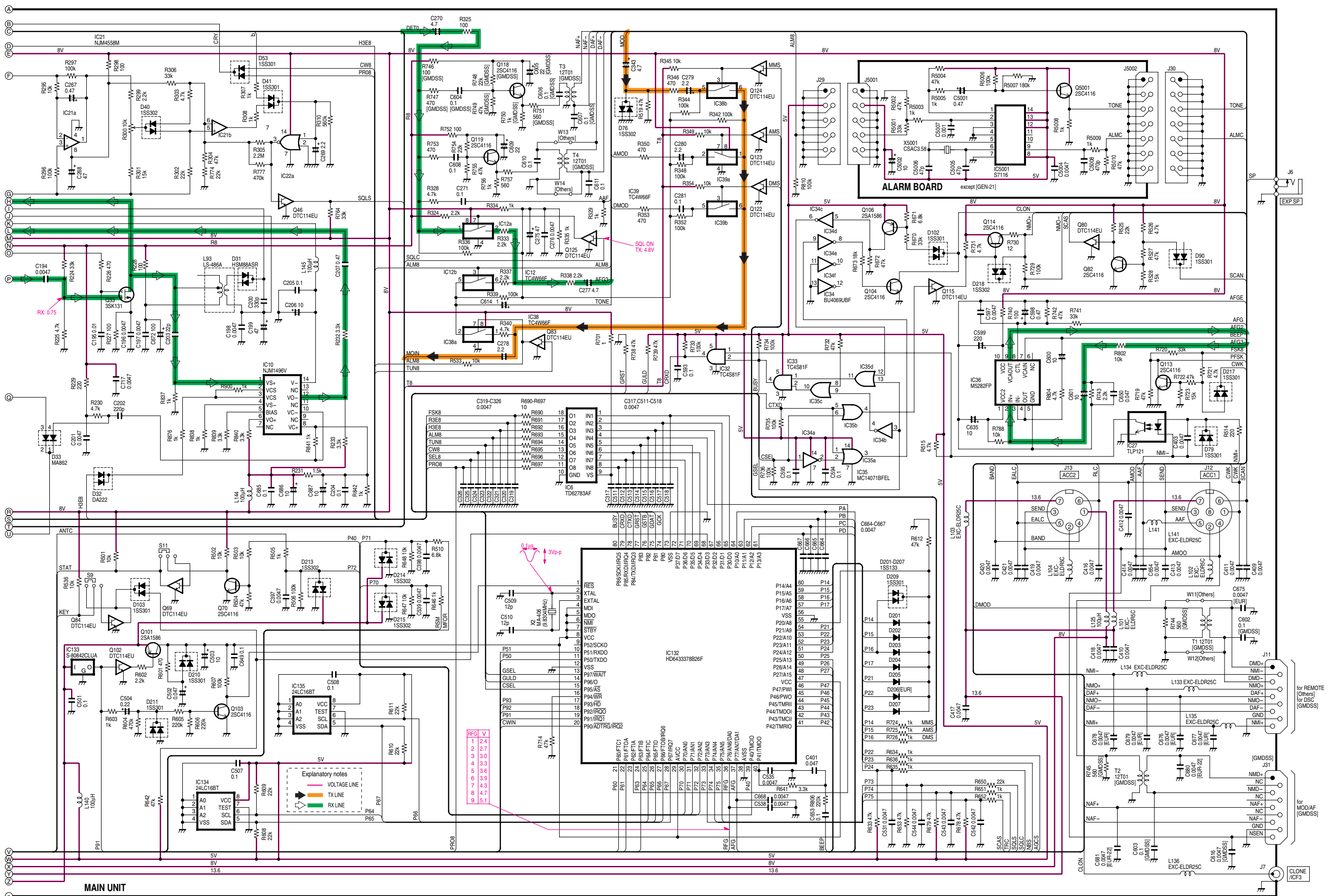


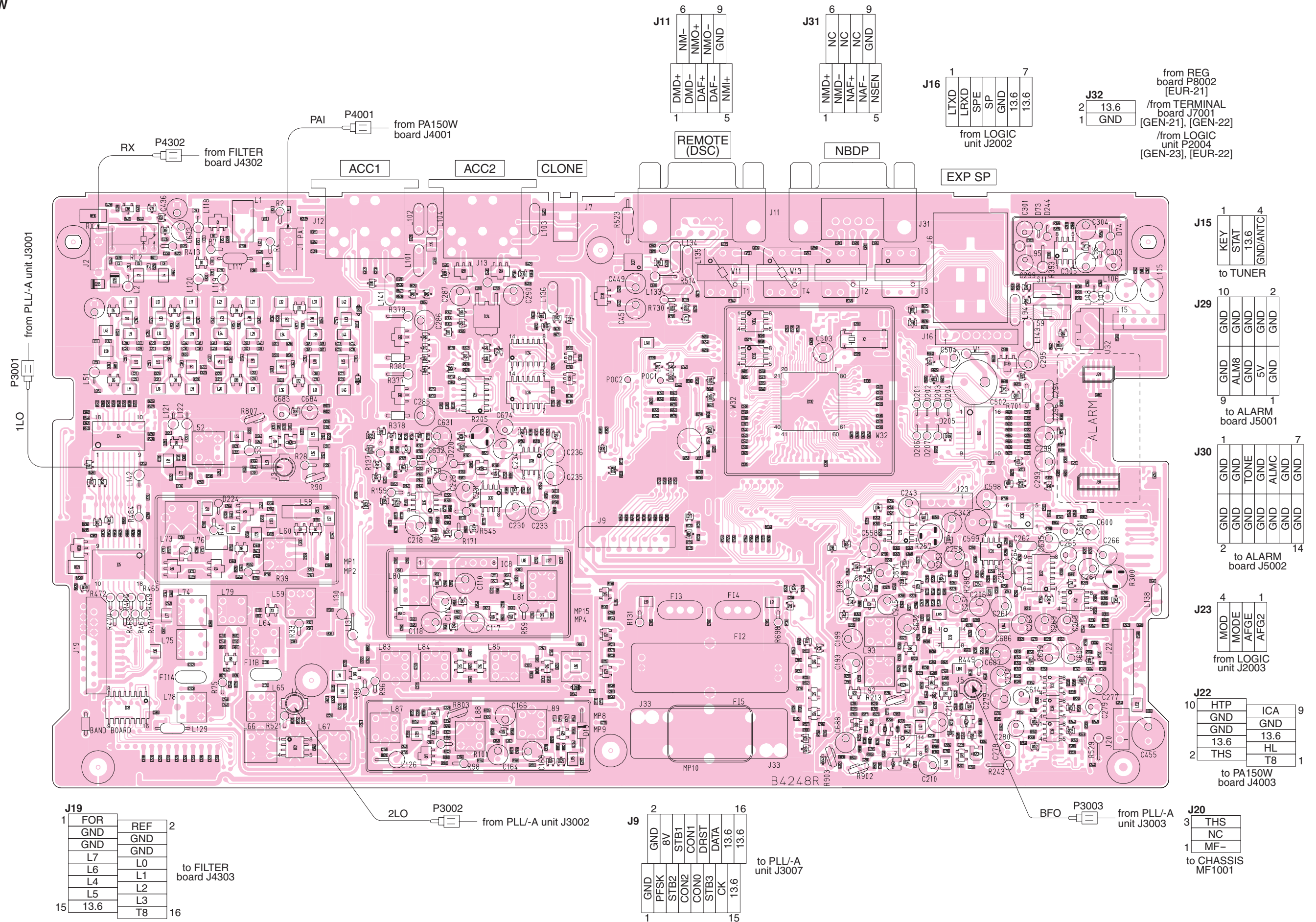
10-2 MAIN UNIT







8-6 MAIN UNIT
• TOP VIEW



J11

6	NM-	9
1	DMD+	5
	DMD-	
	DAF+	
	DAF-	
	NMI+	

J31

6	NC	9
1	NMD+	5
	NMD-	
	NAF+	
	NAF-	
	NSEN	

J16

1	LTXD	7
	LRXD	
	SPE	
	SP	
	GND	
	13.6	
	13.6	

J32

2	13.6	from REG board P8002 [EUR-21]
1	GND	/from TERMINAL board J7001 [GEN-21], [GEN-22]
		/from LOGIC unit P2004 [GEN-23], [EUR-22]

J15

1	KEY	4
	STAT	
	13.6	
	GND/ANTC	

J29

10	GND	2
	GND	
	ALM8	
	GND	
	5V	
	GND	
	GND	

J30

1	GND	7
	GND	
	TONE	
	GND	
	ALMC	
	GND	
	GND	
	GND	

J23

4	MOD	1
	MODE	
	AFGE	
	AFG2	

J22

10	HTP	9
	GND	
	GND	
	13.6	
	13.6	
	HL	
	T8	

J19

1	FOR	2
	GND	
	GND	
	L7	
	L6	
	L4	
	L5	
	13.6	
15	T8	16

J9

2	GND	16
	8V	
	STB1	
	CON2	
	CON1	
	CON0	
	DRST	
	STB3	
	DATA	
	CK	
	13.6	
	13.6	

J20

3	THS	
	NC	
	MF-	