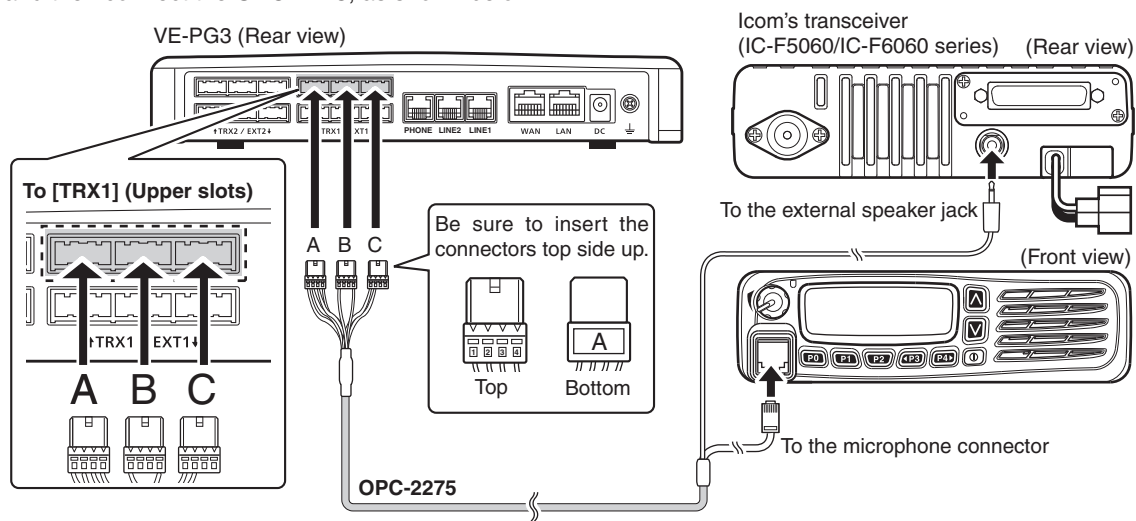


Thank you for purchasing this Icom product. The OPC-2275 CONNECTION CABLE is used to connect a transceiver to the VE-PG3. READ ALL INSTRUCTIONS carefully and completely before using the cable.

CONNECTING THE OPC-2275

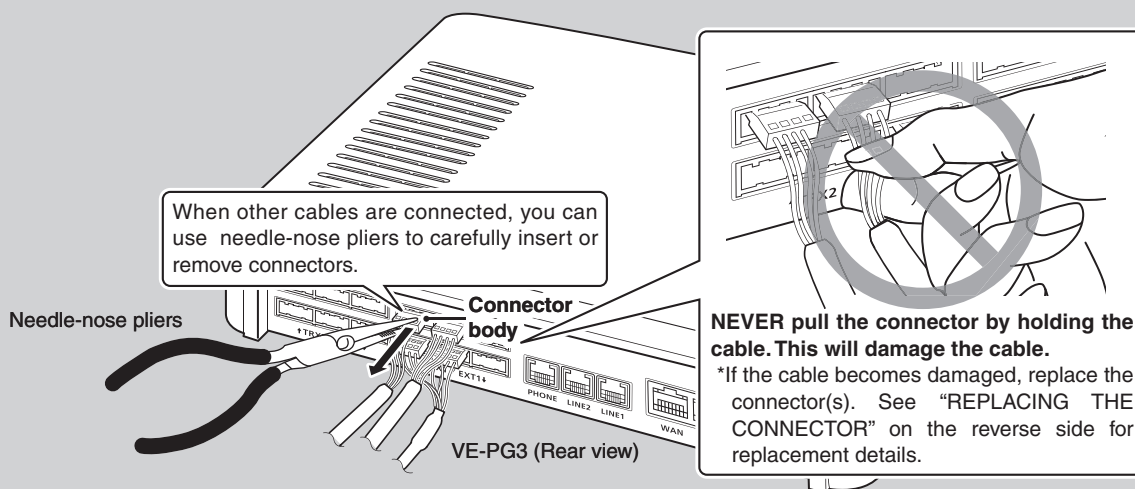
- 1 Set the transceiver channel, volume level, TX output power, and other necessary settings. (See the transceiver and the VE-PG3 instruction manuals for setting details.)
- 2 Turn OFF both the transceiver and the VE-PG3. Remove the microphone and external speaker from the transceiver, and then connect the OPC-2275, as shown below.



- The [TRX1] and [TRX2] ports (upper slots) accept the OPC-2275 connectors, however, follow the example to correctly connect the transceiver to ONLY the [TRX1] on the VE-PG3.

CAUTION

- Verify that both the transceiver and the VE-PG3 are turned OFF when connecting or disconnecting the cable.
- Hold the connector body when connecting or disconnecting them.



- Never bend or pinch the cable.
- Never place a heavy object on the cable.
- Never touch the cable with wet hands.
- Always connect the cable correctly. An incorrect connection could damage the VE-PG3 and/or the transceiver.

REPLACING THE CONNECTOR

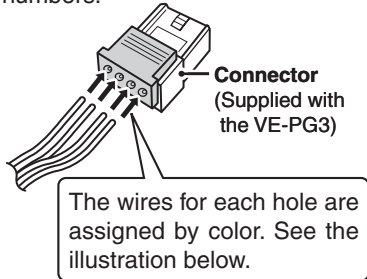
If the cable becomes damaged, replace the connector(s). Make wire connections as described below.

• Spare connectors*1 are supplied with the VE-PG3.

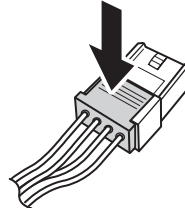
*1 Manufacturer: DDK. Name: 232D-04S1B-DA5-FA (Equivalent to the OPC-2275 connector.)

The connector has two parts; a black base and a clear insert. **DO NOT** lock the connector parts before inserting all wires.

- 1** Insert the wires into the holes according to the assigned pin numbers.



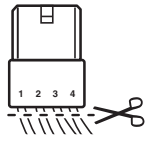
- 2** Press the clear insert down until it locks in place.



- After the insert is locked, it is impossible to release it again.

RECOMMENDATION

If reconnecting is repeated about 30 times, cut the wires*2 *3 near the connector and replace the connector.

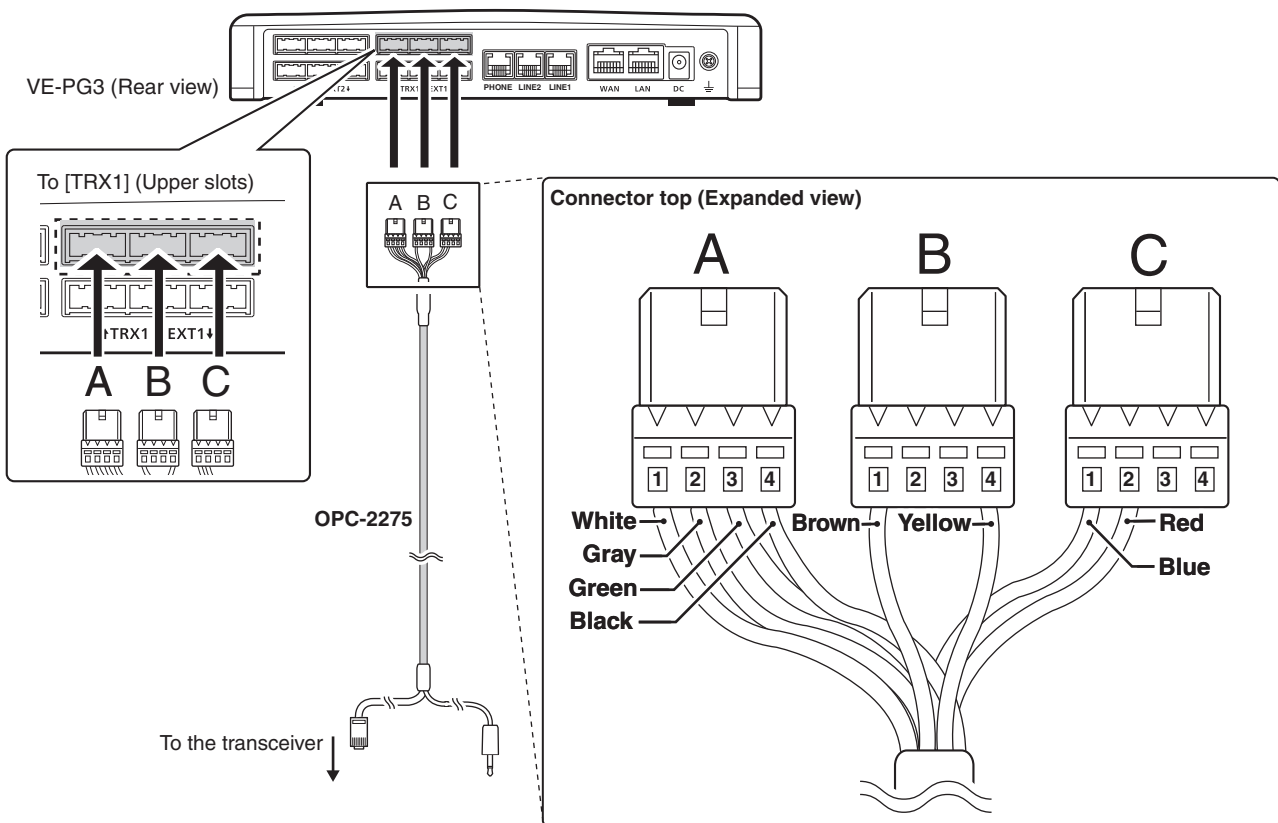


*2 Remove the cable from the VE-PG3, before cutting the wires.

*3 **DO NOT** cut the wires too short. Otherwise it will be difficult to reconnect them to the VE-PG3.

OPC-2275 connection and wires assignment

- Turn OFF the VE-PG3 and the transceiver before connecting or disconnecting the OPC-2275.



- Follow the example to correctly connect the transceiver to [TRX1] on the VE-PG3.

Icom, Icom Inc. and the Icom logo are registered trademarks of Icom Incorporated (Japan) in Japan, the United States, the United Kingdom, Germany, France, Spain, Russia and/or other countries.

Icom Inc.

1-1-32 Kamiminami, Hirano-ku, Osaka 547-0003, Japan

Count on us!

A-7044X-1EX
Printed in Japan
© 2012 Icom Inc.