

This guide shows the mounting dimensions with bracket and bracket fitting measurements for the Icom Marine Radios and the related options. Refer to the manuals supplied with your product for the installation details.

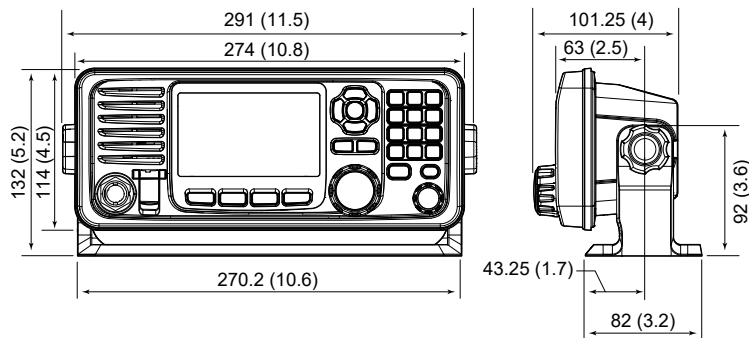
NOTE: The dimensions described in this guide may differ slightly from your radio. This is because the shape of projections, such as connectors, may differ, depending on the radio version.

Unit: mm (inch)

The MF/HF Marine transceivers and options

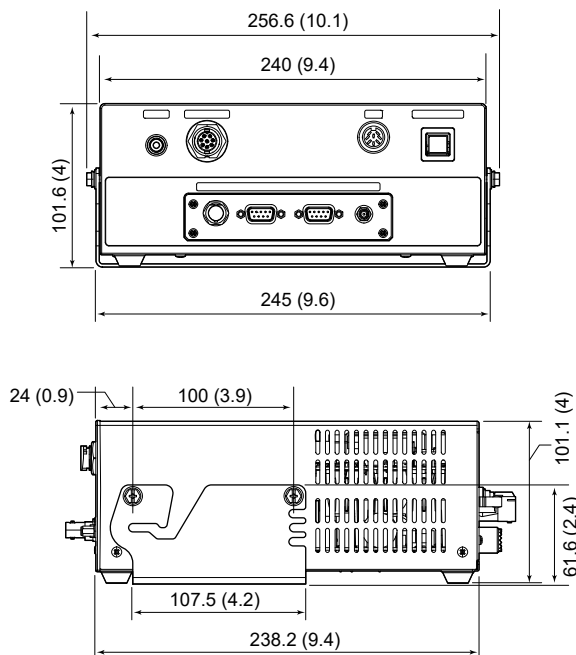
■ IC-M803

- Remote controller



The bracket fitting dimensions (p. 6)

- Main unit

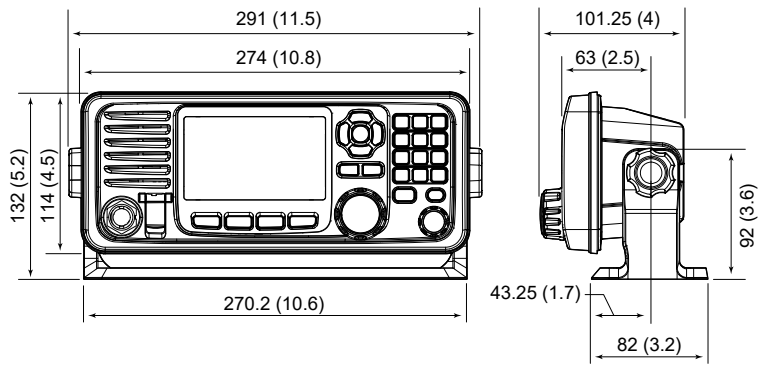


The bracket fitting dimensions (p. 7)

Icom and the Icom logo are registered trademarks of Icom Incorporated (Japan) in Japan, the United States, the United Kingdom, Germany, France, Spain, Russia, Australia, New Zealand, and/or other countries. All other products or brands are registered trademarks or trademarks of their respective holders.

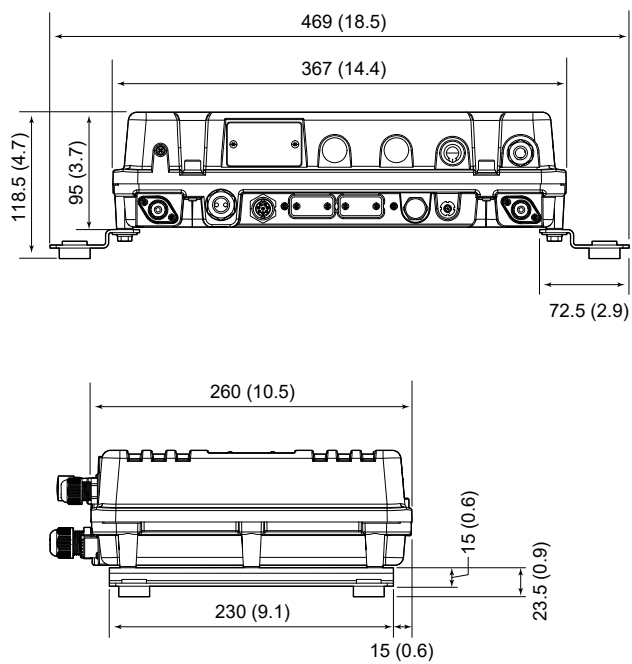
■ IC-M804

- Remote controller



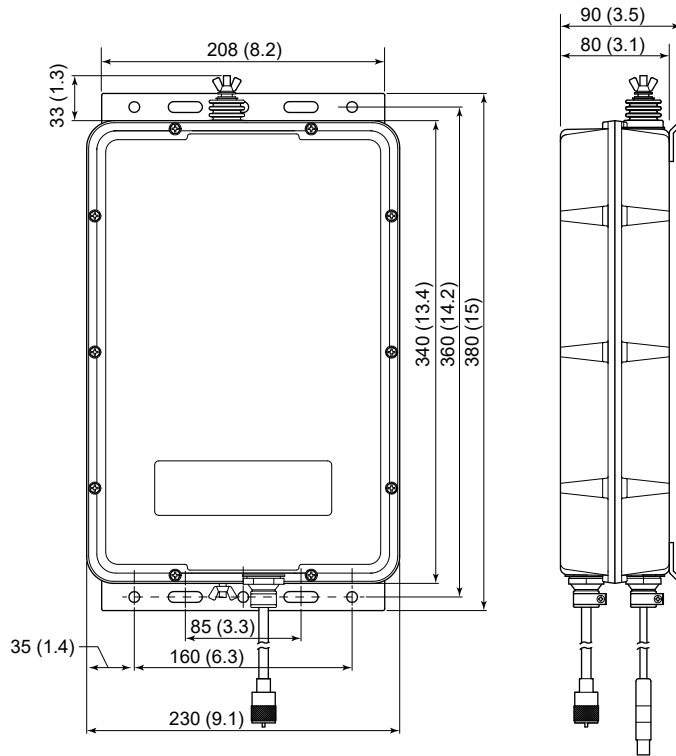
The bracket fitting dimensions (p. 6)

- Main unit



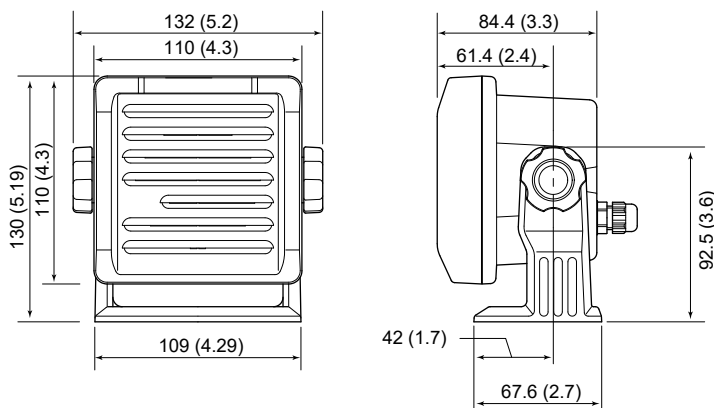
The bracket fitting dimensions (p. 8)

■ AT-140/AT-141/AT-130



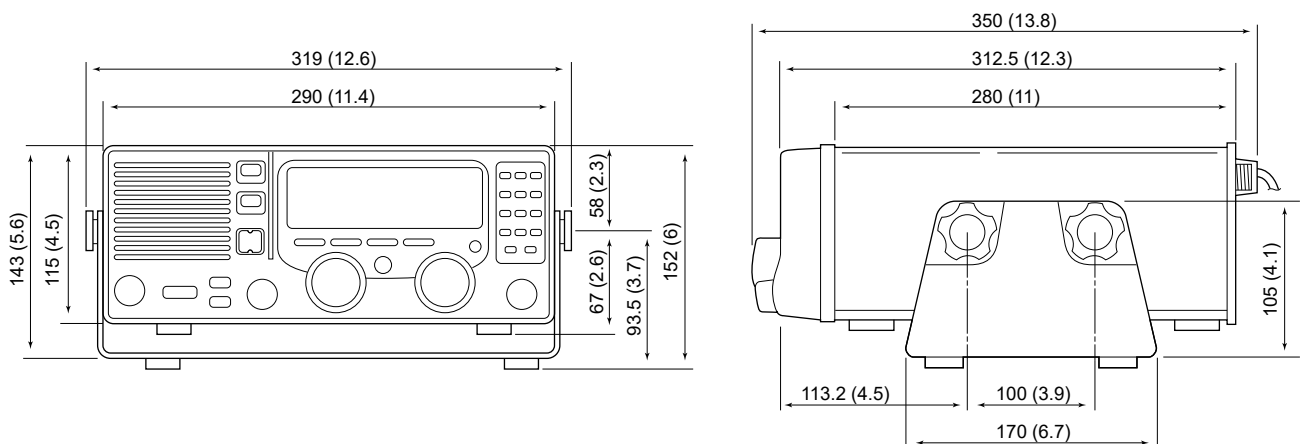
The fitting dimensions (p. 10)

■ SP-24



The bracket fitting dimensions (p. 5)

■ IC-M710/IC-M700PRO

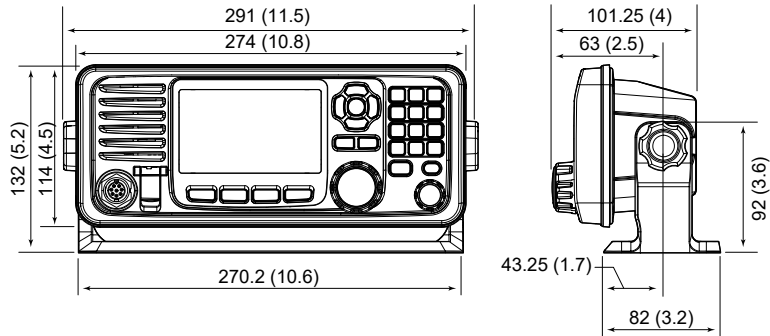


The bracket fitting dimensions (p. 11)

The GMDSS Marine transceiver

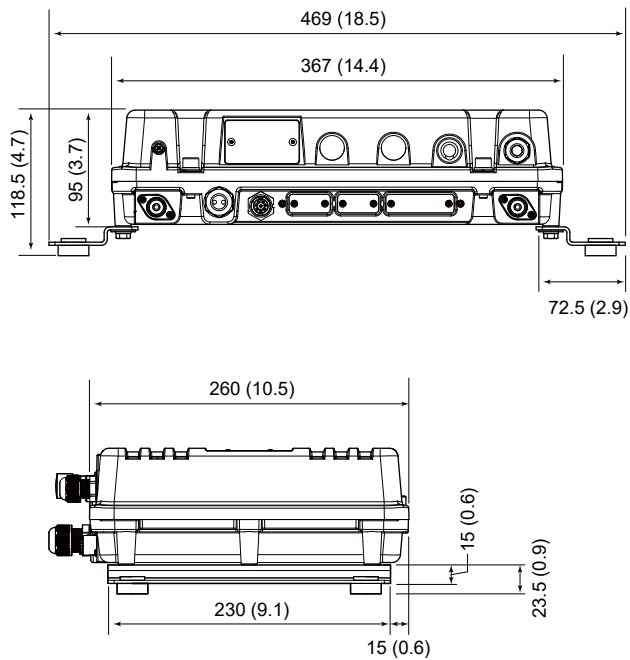
■ GM800

- Remote controller



The bracket fitting dimensions (p. 6)

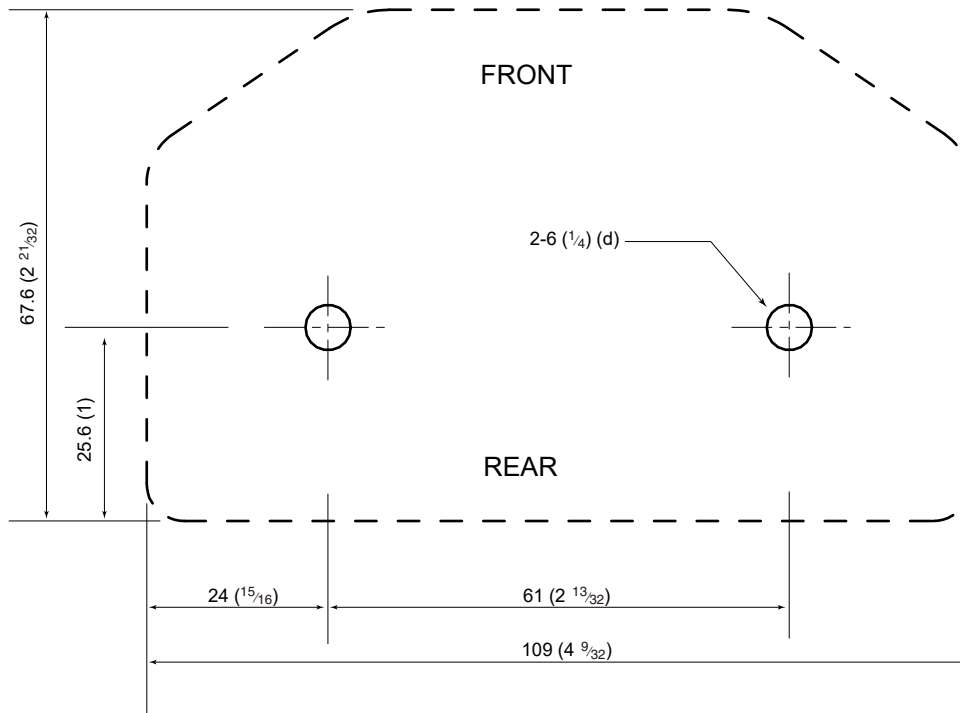
- Main unit



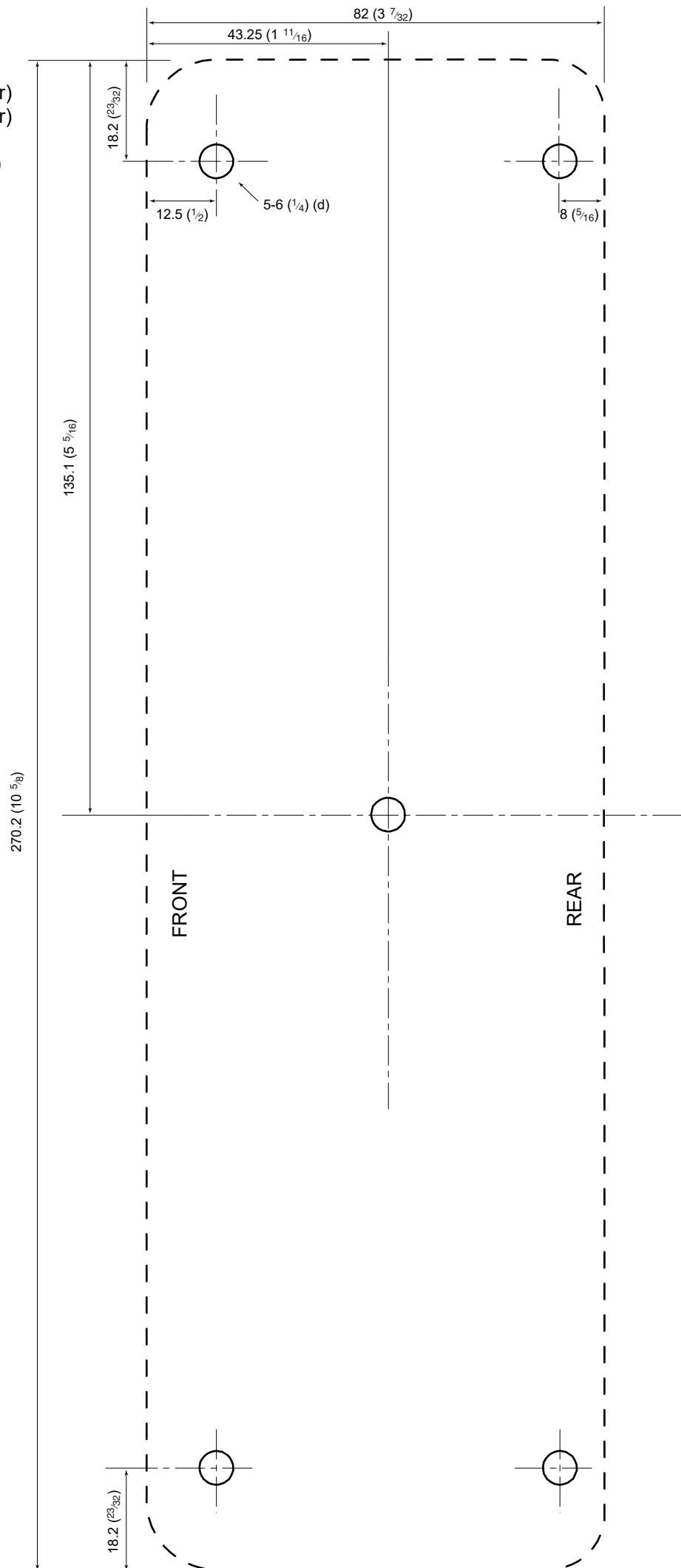
The bracket fitting dimensions (p. 8)

The bracket fitting dimensions

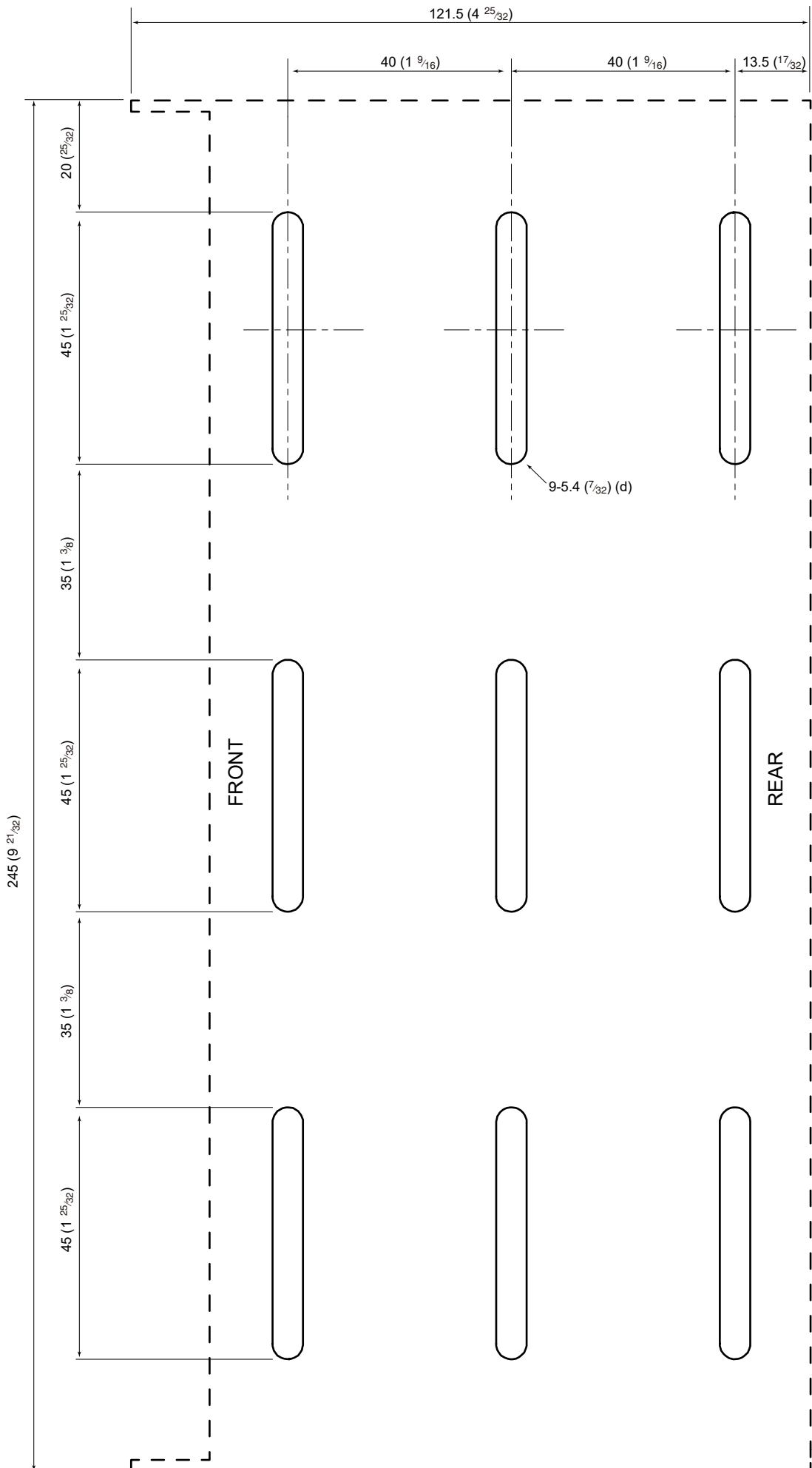
- SP-24



- IC-M605
- RC-M600
- IC-M803 (Remote controller)
- IC-M804 (Remote controller)
- GM600
- GM800 (Remote controller)

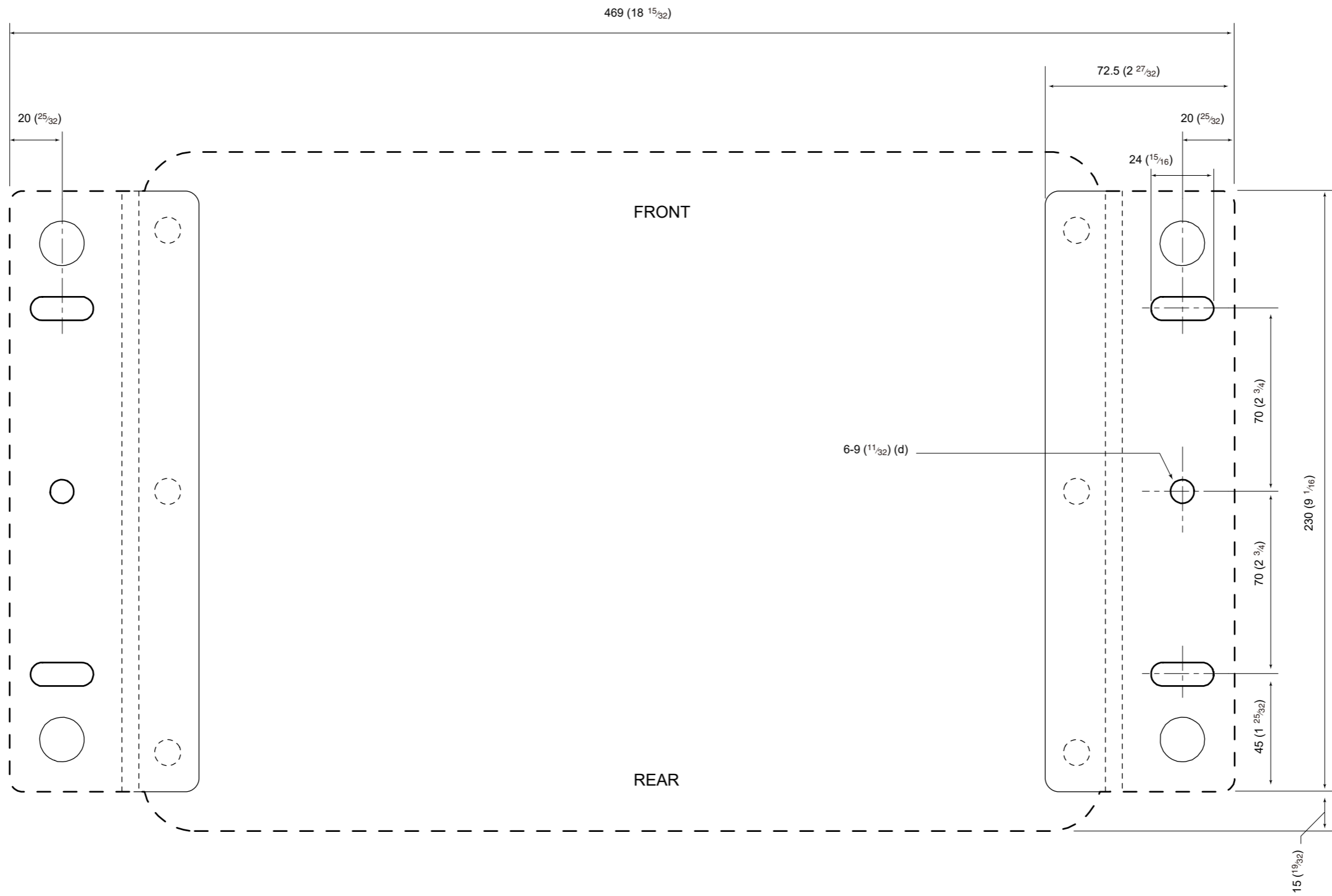


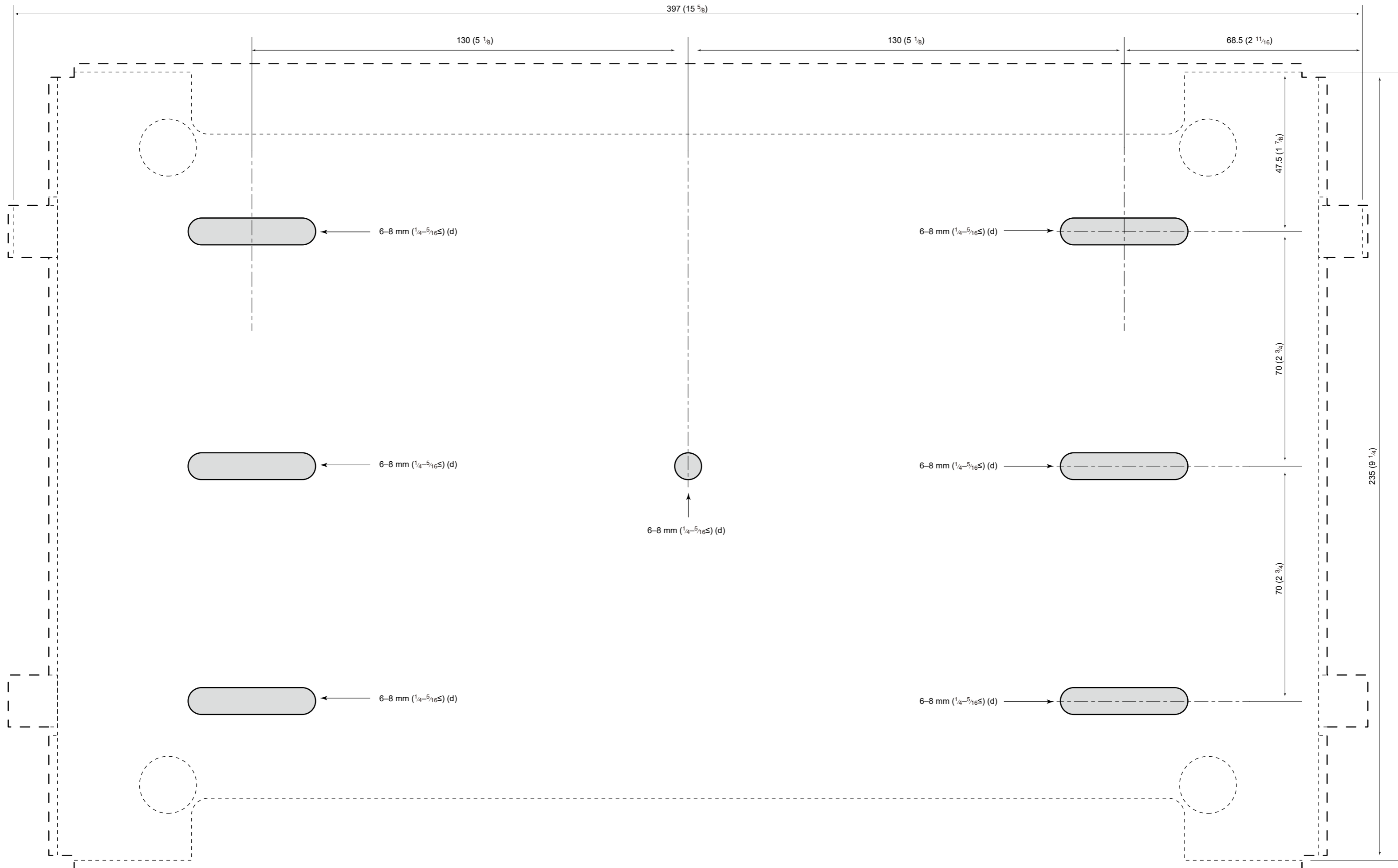
• IC-M803 (Main unit)



- IC-M804 (Main unit with the mounting plates)
- GM800 (Main unit with the mounting plates)

CAUTION: This illustration is not actual size.







- IC-M700PRO
- IC-M710

