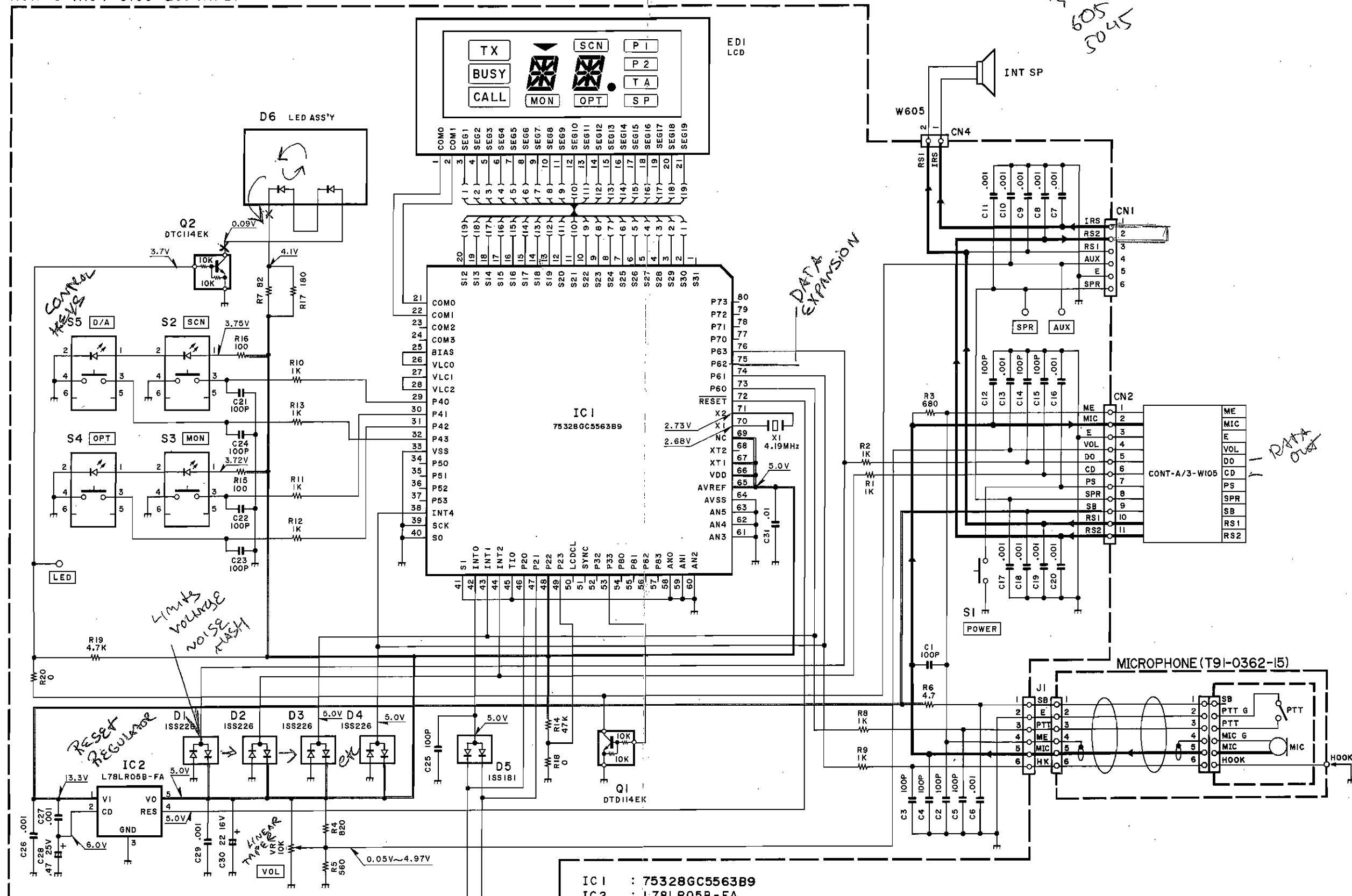
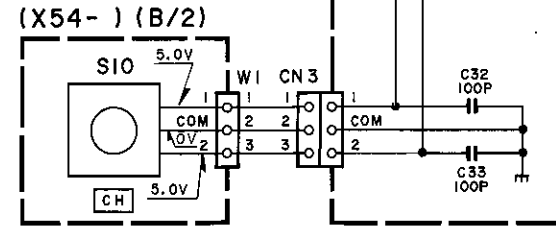


TK-630H(B) CIRCUIT DIAGRAM

KCH-3 (X54-3100-20) (A/2)



- IC 1 : 75328GC5563B9
- IC 2 : L78LR05B-FA
- Q1 : DTD114EK
- Q2 : DTC114EK
- D1~4 : ISS226
- D5 : ISS181

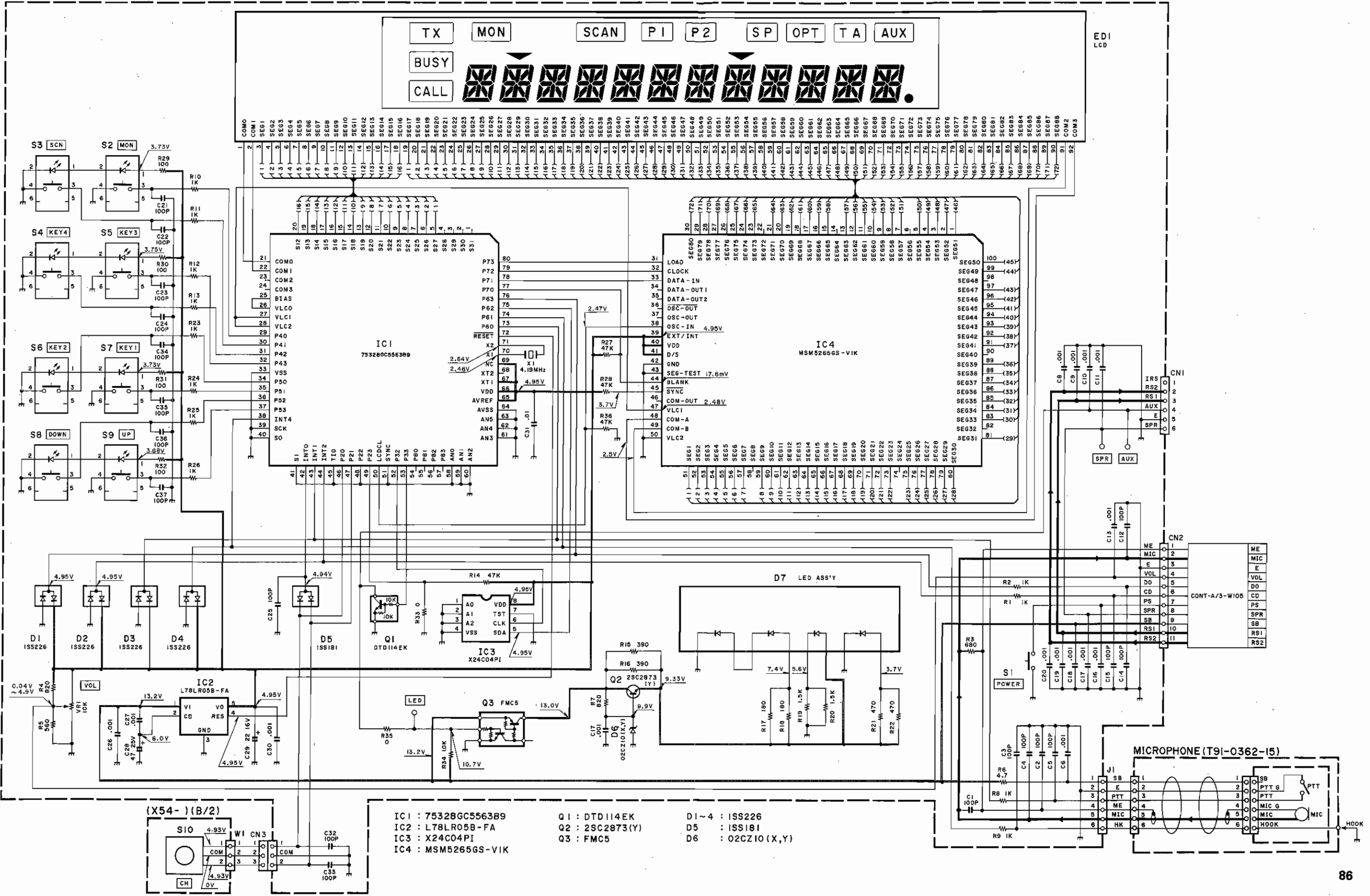


*KENWOOD
BBS
3/10
605
5045*

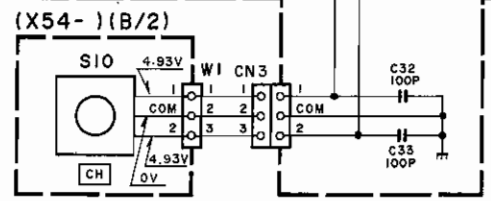
DATA OUT

CIRCUIT DIAGRAM TK-630H(B)

KCH-4 (X54-3110-20) (A/2)

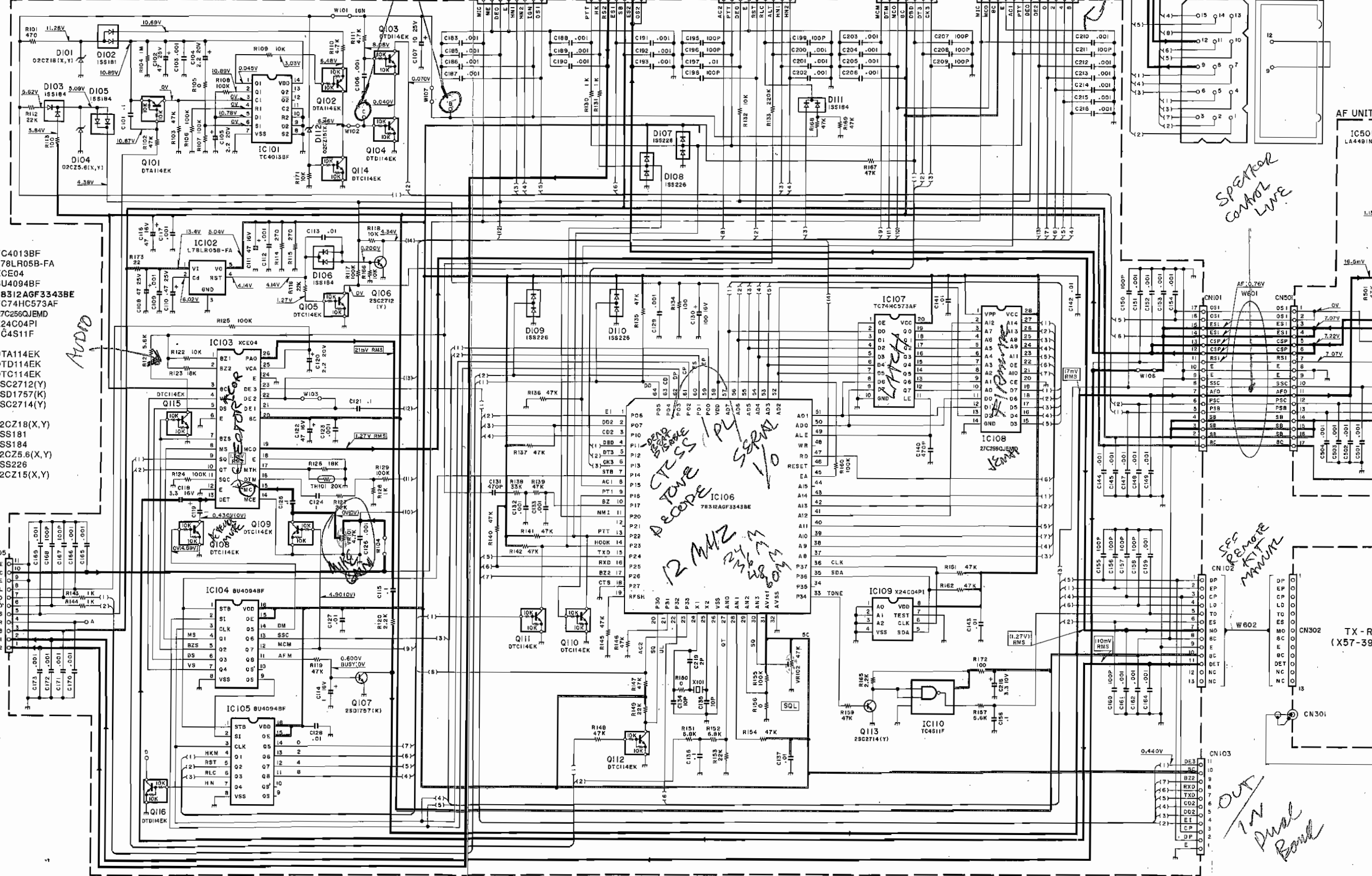


- IC1 : 75328GC556389
- IC2 : L78LR05B-FA
- IC3 : X24C04PI
- IC4 : MSM52656S-VIK
- Q1 : DTD114EK
- Q2 : 2SC2873(Y)
- Q3 : FMC5
- D1~4 : ISS226
- D5 : ISS181
- D6 : 02CZ10(X,Y)



TK-630H(B) SCHEMATIC DIAGRAM

CONTROL UNIT (X57-3960-XX)(A/3) -XX: -10(K) -11(K2) -12(K3)



CONTROL UNIT
 IC101 : TC4013BF
 IC102 : L78L05B-FA
 IC103 : KCE04
 IC104, 105 : BU4094BF
 IC106 : 78312AGF3343BE
 IC107 : TC74HC573AF
 IC108 : 27C256QJEMD
 IC109 : X24C04PI
 IC110 : TC4S11F

Q101, 102 : DTA114EK
 Q103, 104, 116 : DTD114EK
 Q105, 108-112, 114, 115 : DTC114EK
 Q106 : 2SC2712(Y)
 Q107 : 2SD1757(K)
 Q113 : 2SC2714(Y)

D101 : 02CZ18(X,Y)
 D102 : 1SS181
 D103, 105, 106, 111 : 1SS184
 D104 : 02CZ5.6(X,Y)
 D107-110 : 1SS226
 D112 : 02CZ15(X,Y)

KCH-3 (X54-3100-20)(A/2)
 KCH-4 (X54-3110-20)(A/2)

POWER ON WITH 10.89V

SS CLOCKS COMPARE

(TONE BURSTS)

SOMMER BARRS

BCD output

*AL SO METERS
 SEND PAGE
 77*

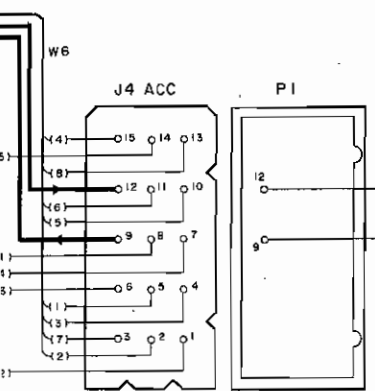
*DEAR
 CTSS / PL
 TONE
 SCOPE
 12 MHz
 24 MHz
 28 MHz
 30 MHz*

SPEAKER CONTROL LINE

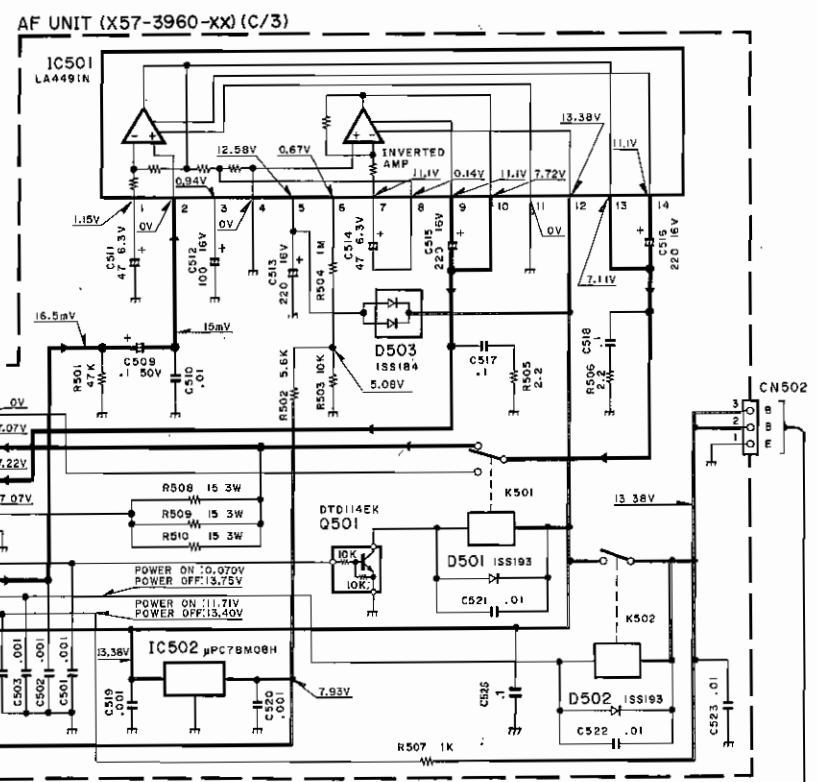
*SSC Remote KIT
 10MHz*

*OUT IN
 Dual Board*

BCD output

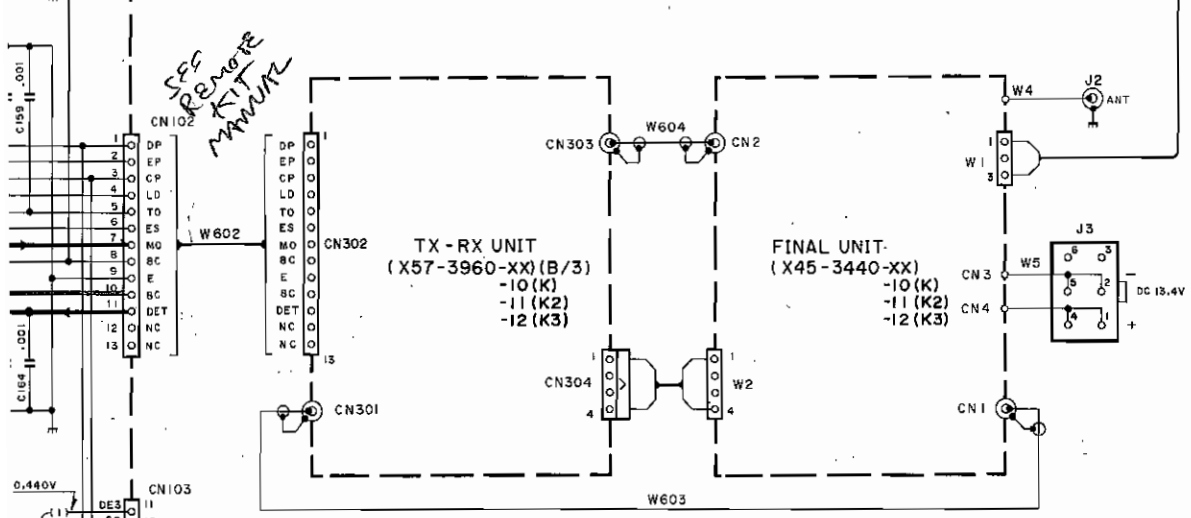


AF UNIT
IC501 : LA4491N
IC502 : μPC78M08H
Q501 : DTD114EK
D501,502 : 1SS193
D503 : 1SS184



SPEAKER CONTROL LINE

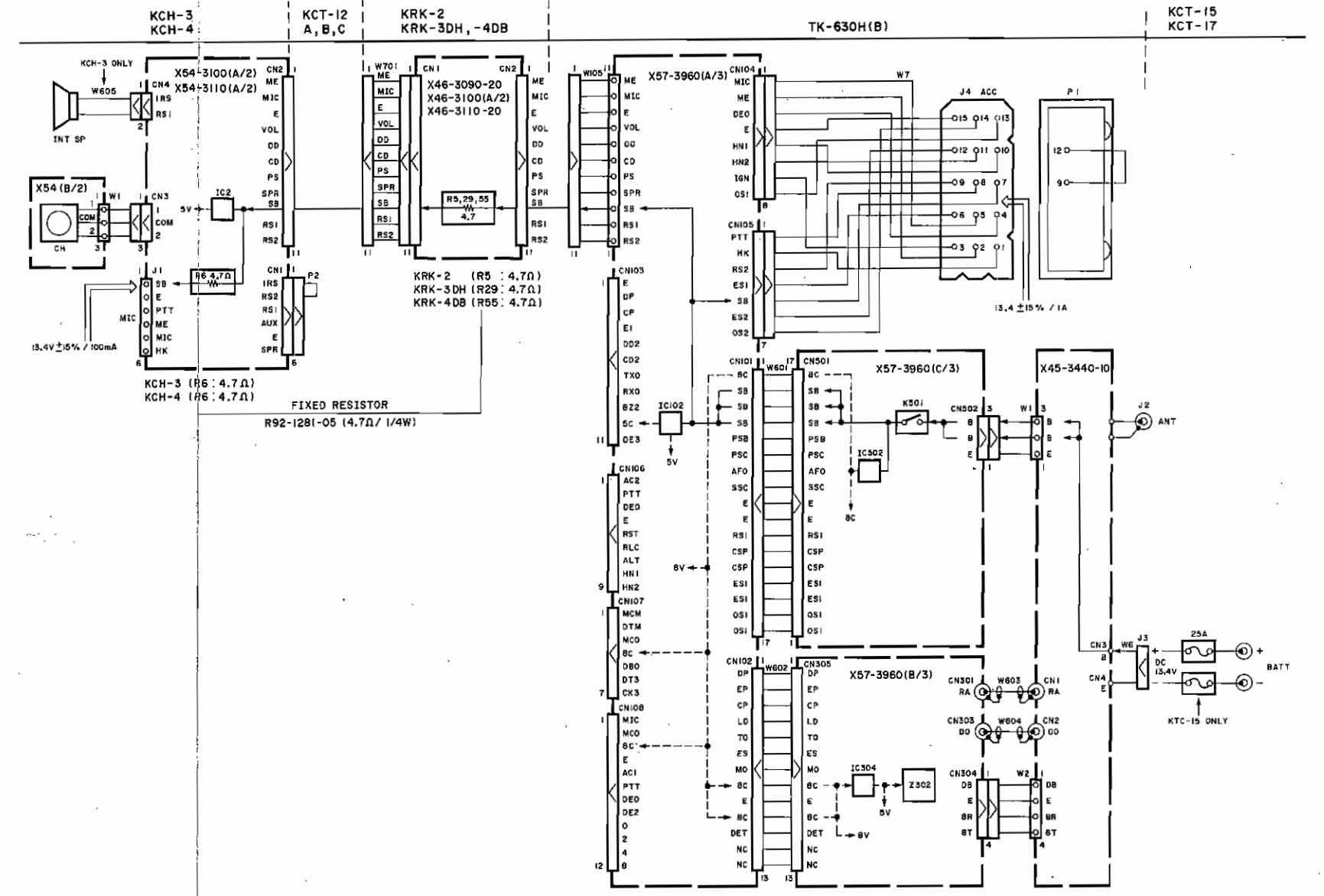
RF REMOTE KIT MANUAL



OUT IN Dual Board

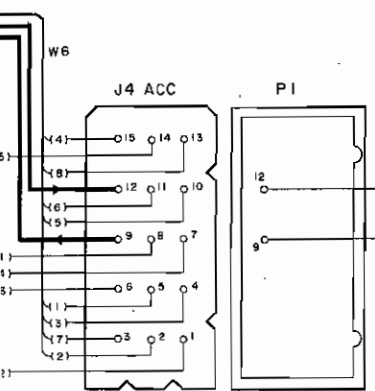
TK-630H

TK-630H(B) POWER SUPPLY BLOCK DIAGRAM

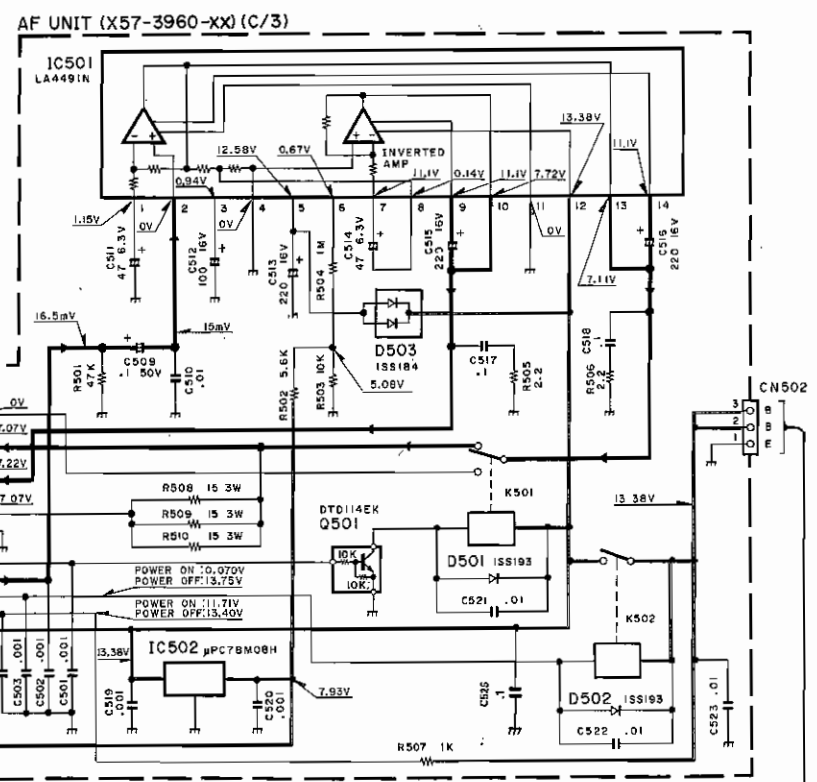


- 2SB119S
2SC2954
- TC4013BF
- BU4094BF
MC3371D
- 78312AGF3343BE
- TC74HC573AF
- LA4491N
- NJM78L05UA
- NJM4558E
- μPC78M08H
- 2SK1577
2SK208
- X24C04PI
- 2SA1162
2SC2712
2SC2714
2SD1757K
DTA114EK
DTC114EK
DTD114EK
- 27C256QJEMD
- L78LR05B-FA
- TC4S11F
TC4S66F
- 2SD1682
- 2SD1406
- FMC2
FMW1
- 2SC1971
2SC1972
- 2SC2694

BCD output

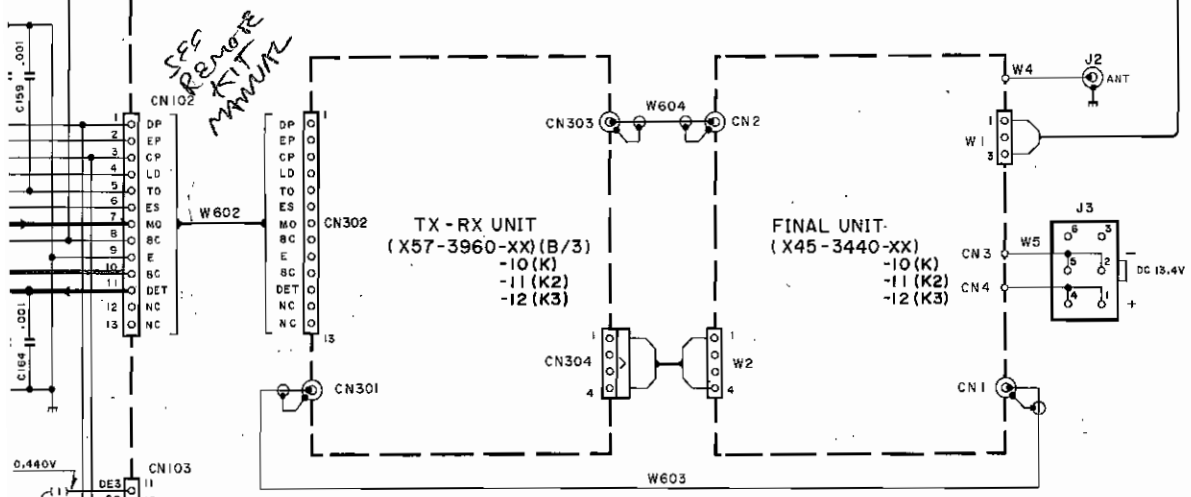


AF UNIT
IC501 : LA4491N
IC502 : μPC78M08H
Q501 : DTD114EK
D501,502 : 1SS193
D503 : 1SS184



SPEAKER CONTROL LINE

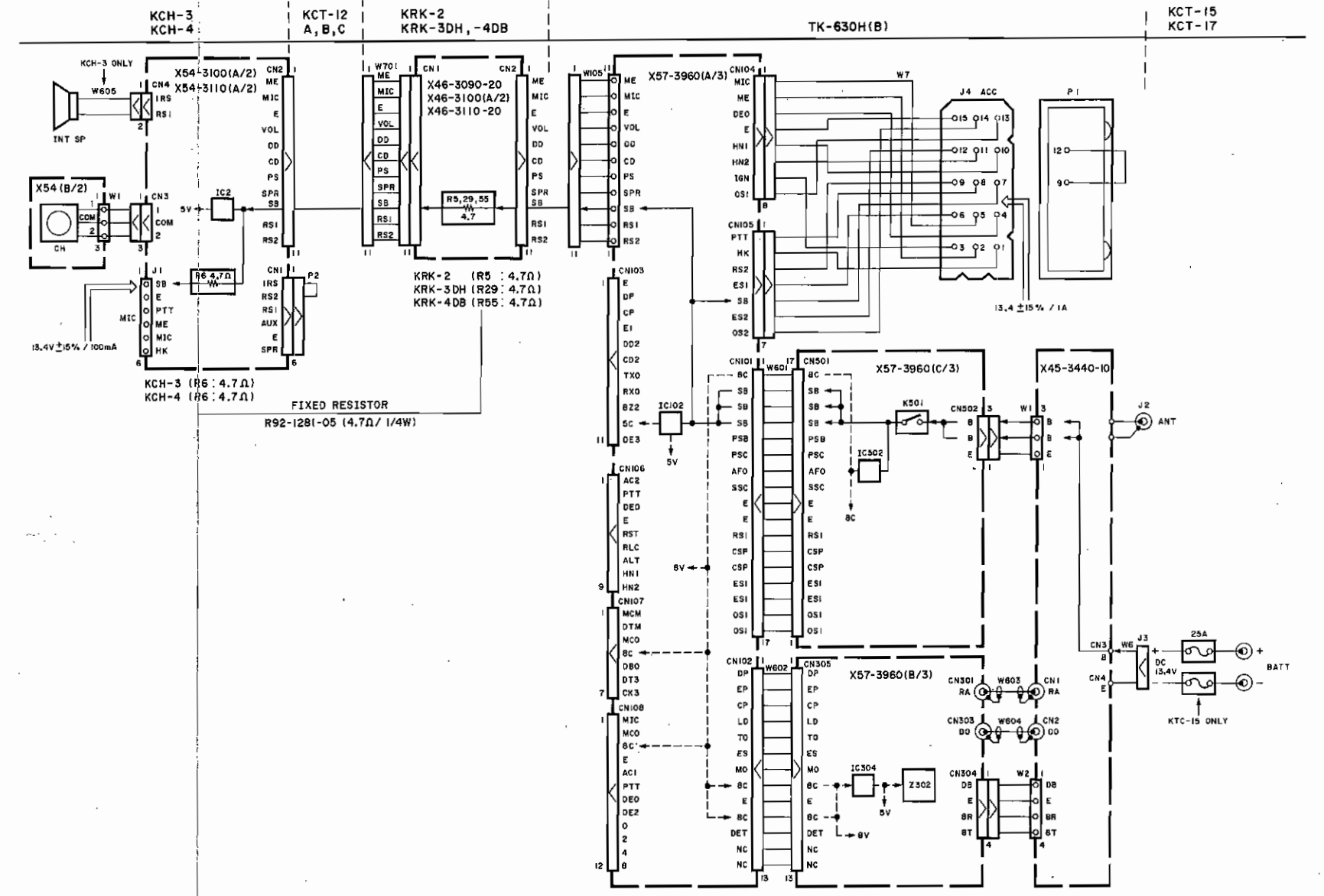
RF REMOTE KIT MANUAL



OUT IN Dual Board

TK-630H

TK-630H(B) POWER SUPPLY BLOCK DIAGRAM



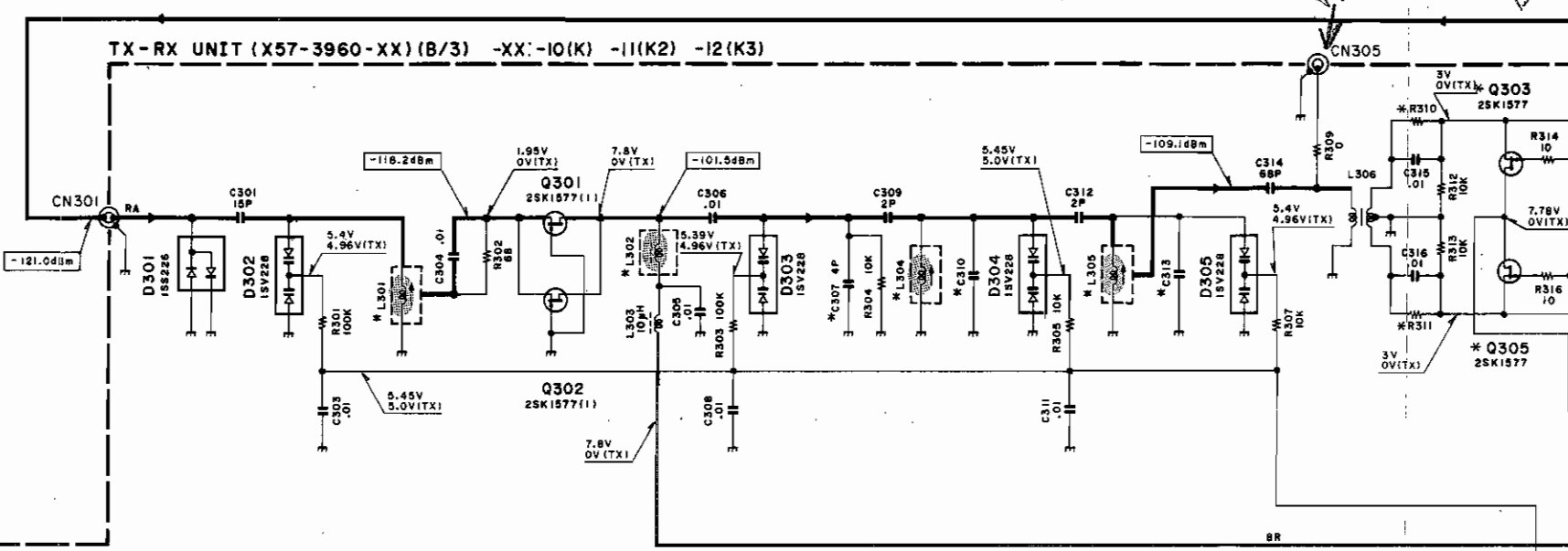
- 2SB119S
2SC2954
- TC4013BF
- BU4094BF
MC3371D
- 78312AGF3343BE
- TC74HC573AF
- LA4491N
- NJM78L05UA
- NJM4558E
- μPC78M08H
- 2SK1577
2SK208
- X24C04PI
- 2SA1162
2SC2712
2SC2714
2SD1757K
DTA114EK
DTC114EK
DTD114EK
- 27C256QJEMD
- L78LR05B-FA
- TC4S11F
TC4S66F
- 2SD1682
- 2SD1406
- FMC2
FMW1
- 2SC1971
2SC1972
- 2SC2694

Double Balance

- TX-RX UNIT
 IC301 : MC3371D
 IC302 : TC4S66F
 IC303 : NJM78L05UA
 IC304 : BU4094BF
 IC305 : NJM4558E

- Q301-306,308,309 : 2SK1577
 Q311,316,318,319 : DTC114EK
 Q312 : 2SK208(Y)
 Q313,314 : 2SC2954
 Q315,317 : 2SB1119(S)
 Q320 : 2SK1577(I)
 Q310 : 2SC2714(Y)
 D301 : 1S5226
 D302-305 : 1SV228
 D306 : 1S5268

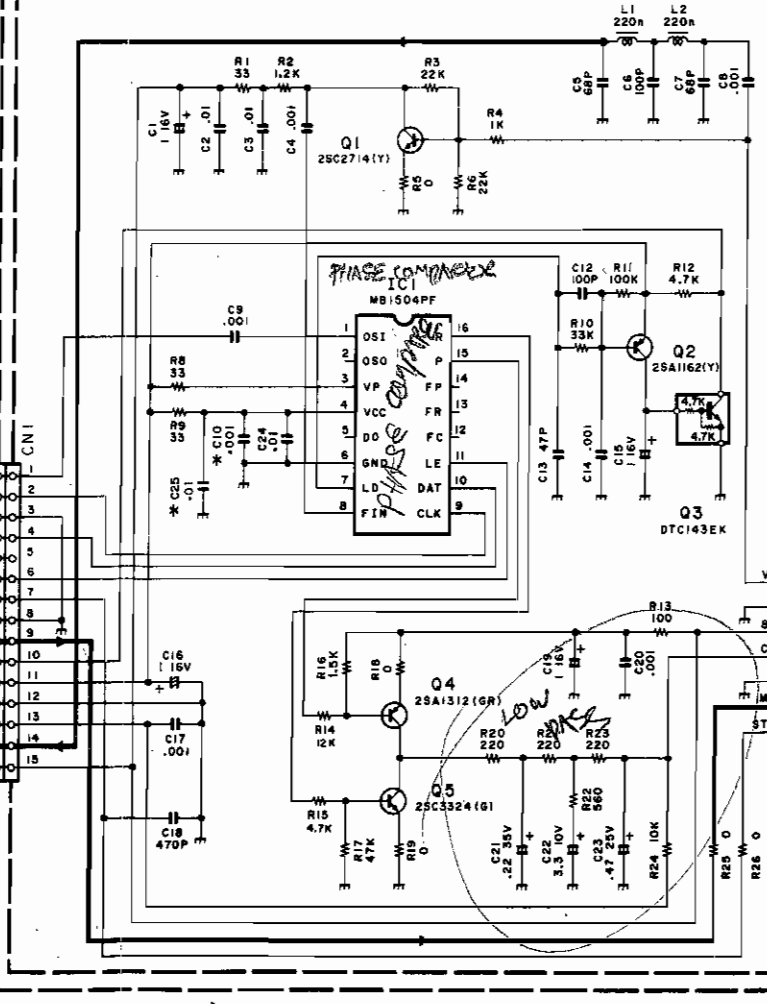
	C307	C310	C313	C343	C381	L301,302,304,305	R310,311	R355	Q303-306	Z302
X57-3960-10	NO	4P	3P	NO	YES	L34-4296-05	270	270	2SK1577(I)	X58-3850-10
X57-3960-11	NO	4P	2P	NO	YES	L34-4296-05	270	270	2SK1577(I)	X58-3850-11
X57-3960-12	YES	8P	8P	YES	NO	L34-4297-05	560	390	2SK1577(I)	X58-3850-12



INPUT DIGITAL SIGNAL
 ANY TITING ADJUST VR20 2 ONLY SOURCE RATE

FROM CTRC BLS
 CROSS TONE LEVEL

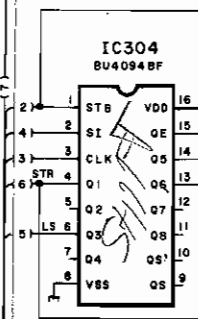
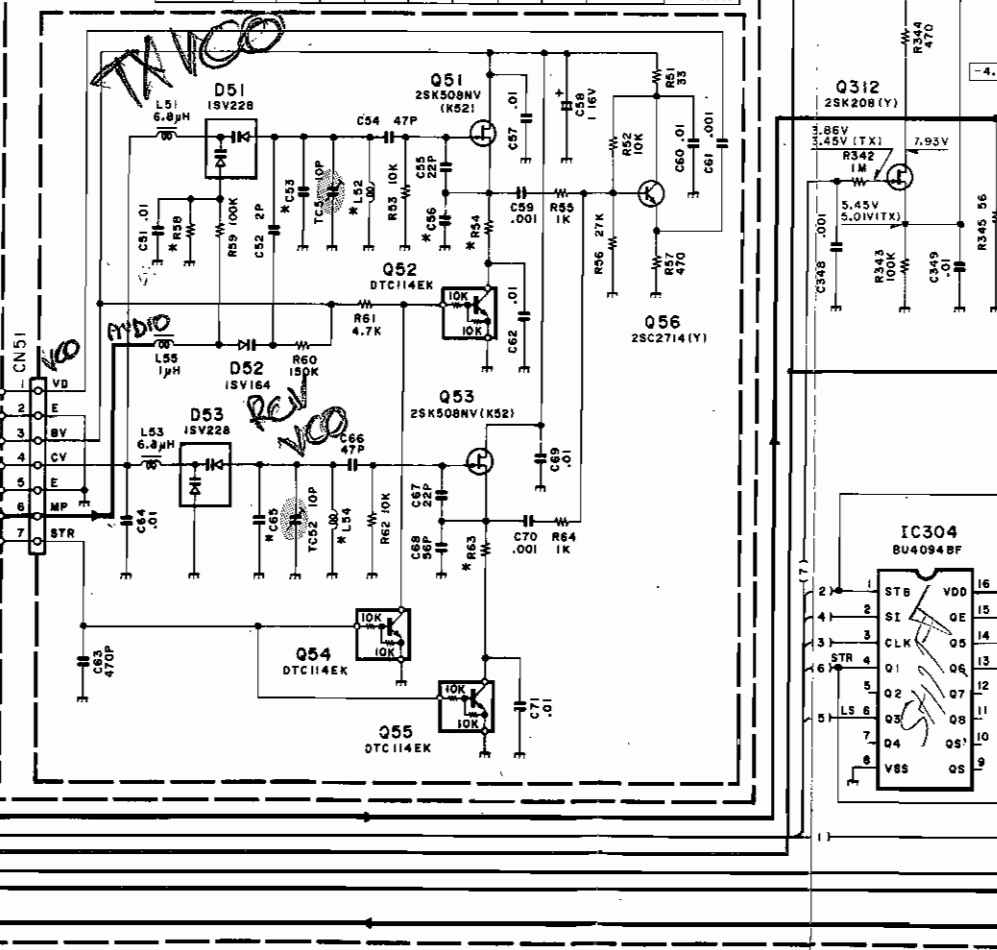
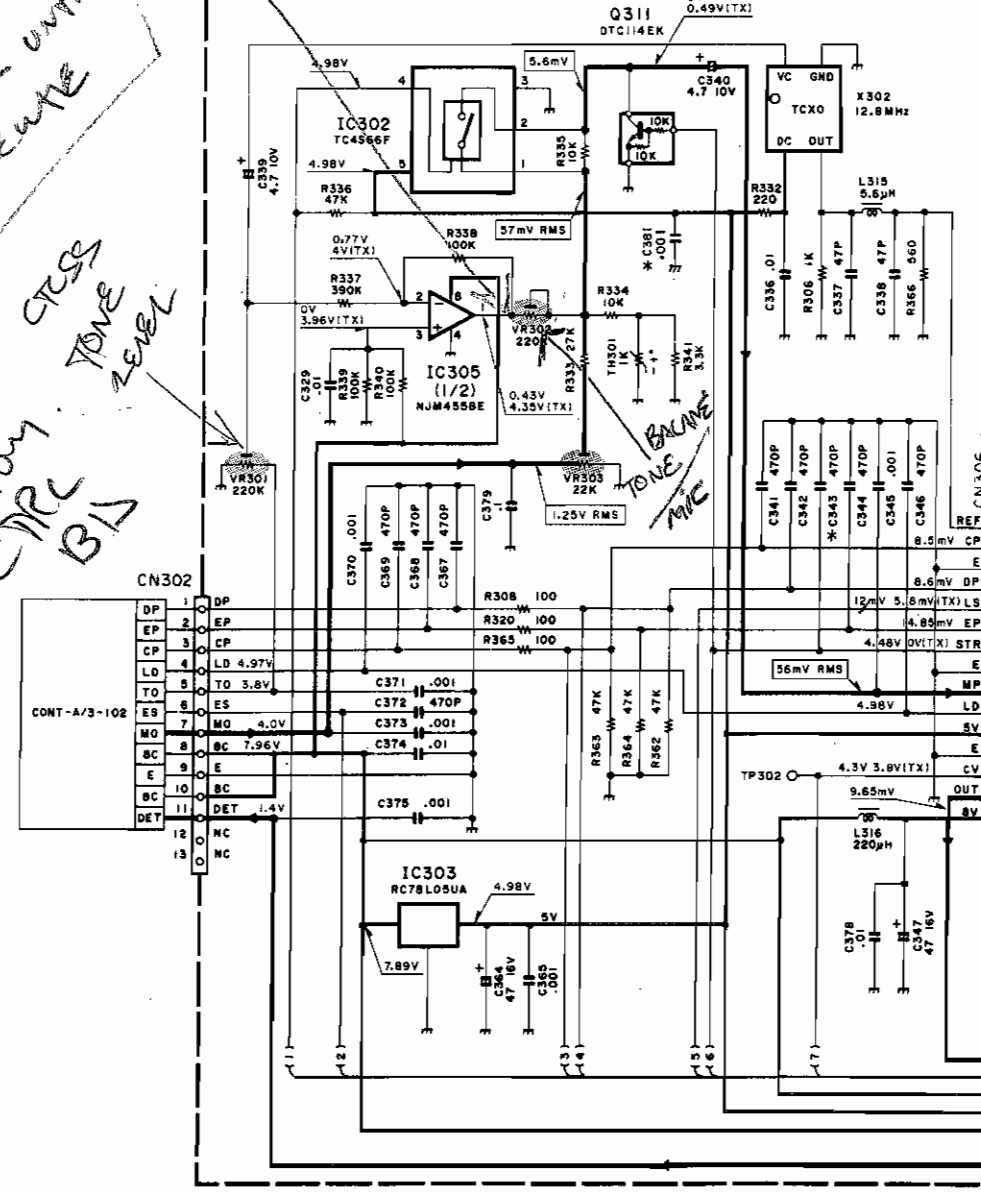
Z302 VCO/PLL (X58-3850-XX) -XX:-10(K) -11(K2) -12(K3)



- Q1,56 : 2SC2714(Y) IC1 : MB1504PF
 Q2 : 2SA1162(Y) D51,53 : 1SV228
 Q3 : DTC143EK D52 : 1SV164
 Q4 : 2SA1312(GR)
 Q5 : 2SC3324(G)
 Q51,53 : 2SK508NV(K52)
 Q52,54,55 : DTC114EK

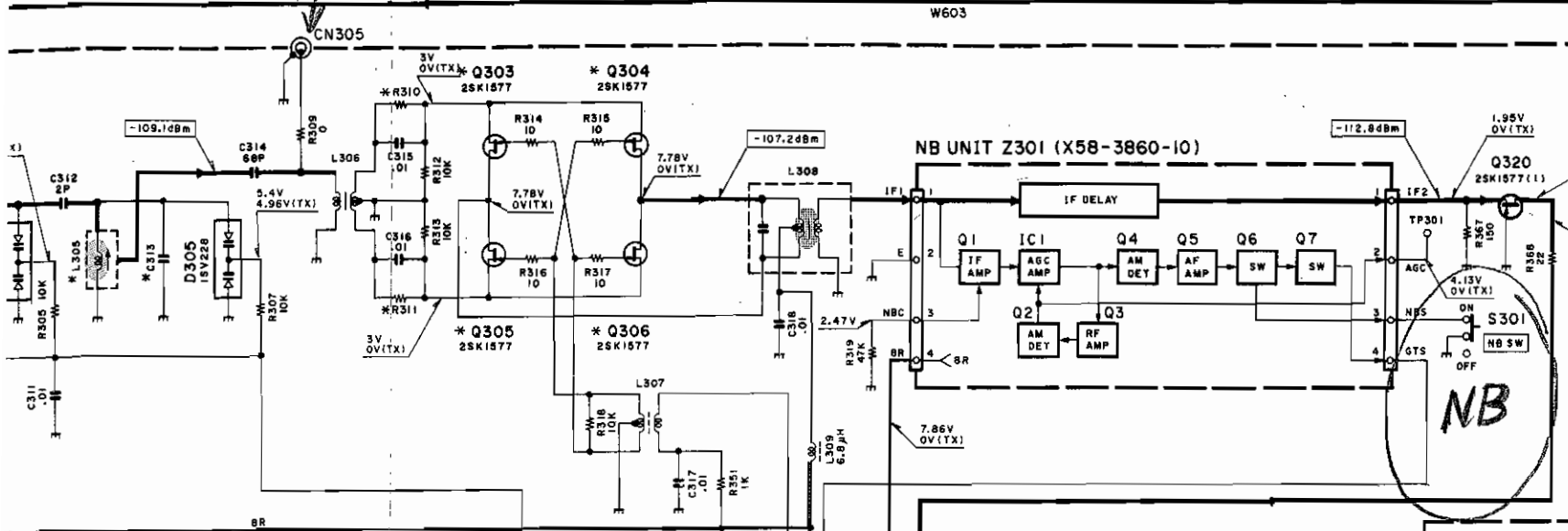
	C10	C25	C53	C58	C85	R54	R56	R63	L62	L54
X58-3850-10	YES	YES	2P	82P	18P	270	1.2K	270	L34-4290-05	L34-4294-05
X58-3850-11	YES	YES	6P	86P	15P	220	1.5K	220	L34-4291-05	L34-4293-05
X58-3850-12	NO	NO	4P	68P	7P	220	2.2K	220	L34-4292-05	L34-4295-05

CONT-A/3-102	1	2	3	4	5	6	7	8	9	10	11	12	13
DP	DP	EP	CP	LD	TO	ES	MO	BC	E	BC	DET	NC	NC
	4.97V	3.8V		4.97V	4.0V	7.96V					1.4V		



CIRCUIT DIAGRAM TK-630H(E)

Double Balanced Mixer

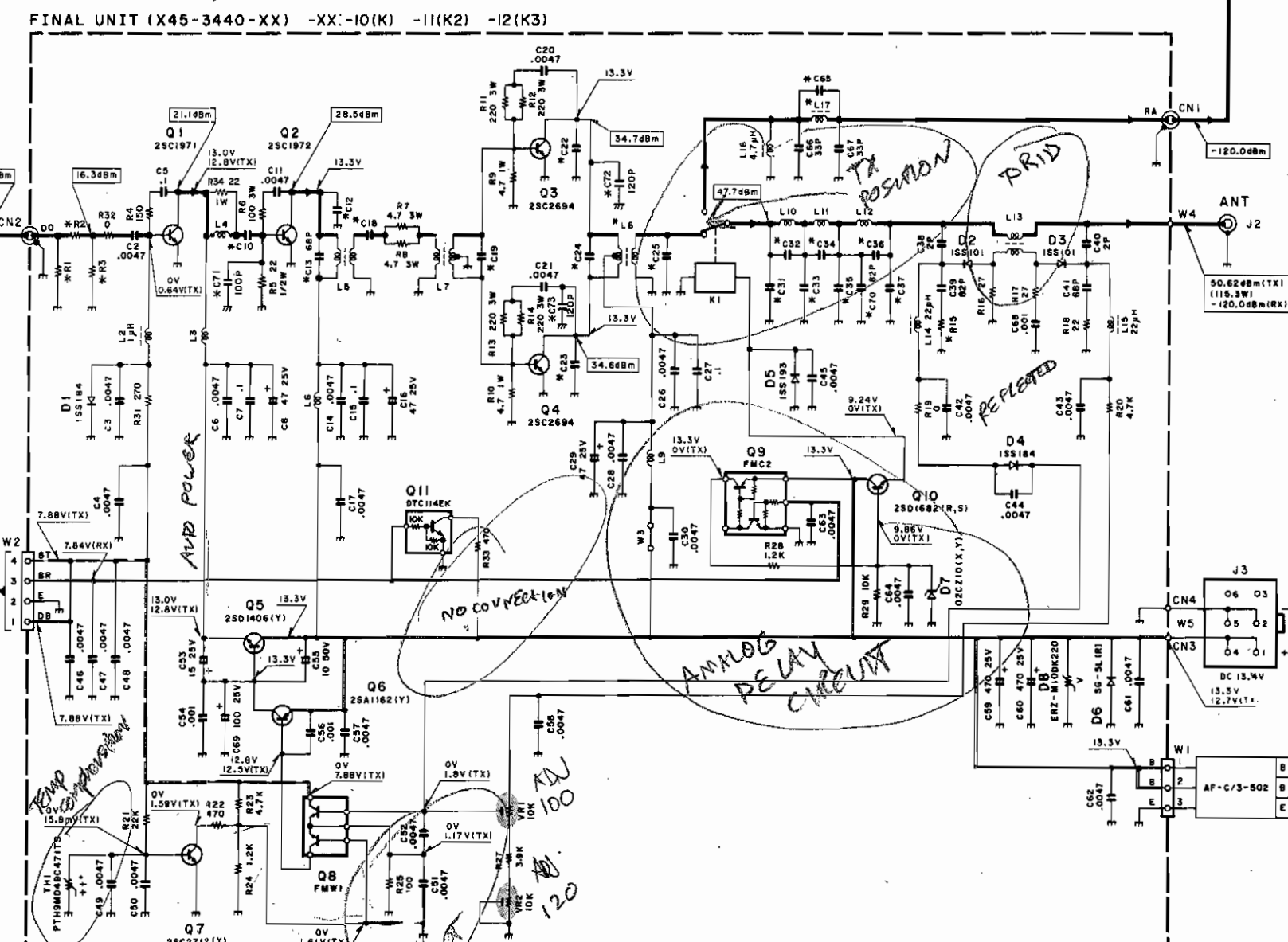
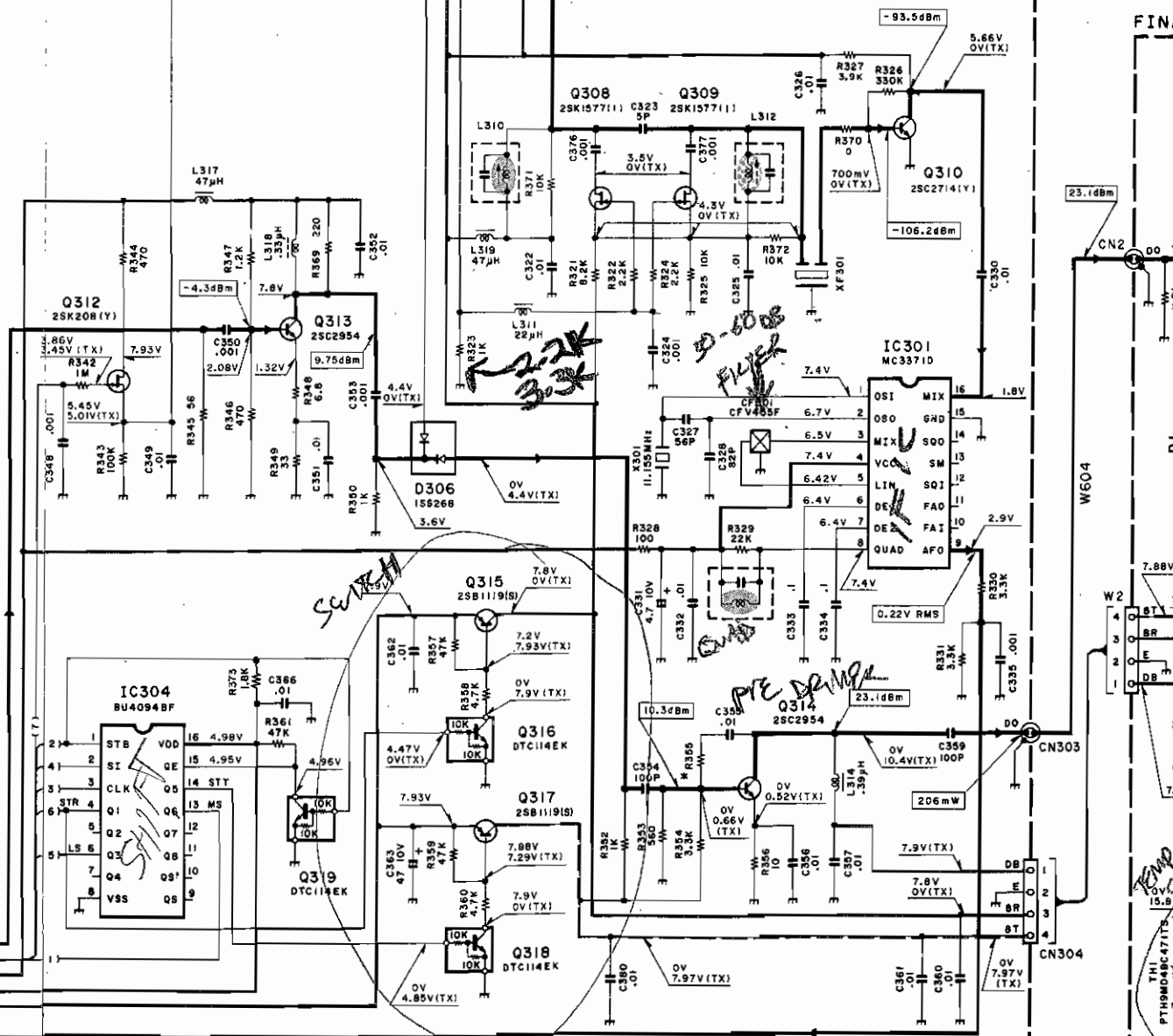
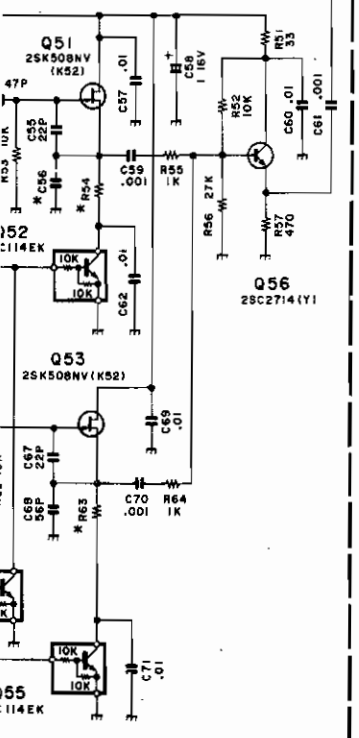


- FINAL UNIT**
- Q1 : 2SC1971
 - Q2 : 2SC1972
 - Q3,4 : 2SC2694
 - Q5 : 2SD1406(Y)
 - Q6 : 2SA1162(Y)
 - Q7 : 2SC2712(Y)
 - Q8 : FMW1
 - Q9 : FMC2
 - Q10 : 2SD1682(R,S)
 - Q11 : DTC114EK
- D1,4 : 1SS184
 - D2,3 : 1SS101
 - D5 : 1SS193
 - D6 : SG-5L(R)
 - D7 : 02CZ10(X,Y)
 - D8 : ERZ-M10DK220

	R1,3	R2	R16	C10	C12	C13	C18	C19	C22,23	C24	C26	C31	C32	C33	C34	C35	C36	C37	C66	C70	C71	C72,73	L8	L17
X45-3440-10	150	39	27	470P	100P	YES	82P	560P	180P	1100P	33P	82P	8P	150P	22P	120P	51P	47P	160P	NO	YES	NO	L38-1214-25	68n
X45-3440-11	150	39	22	330P	82P	NO	88P	390P	NO	750P	18P	82P	4P	120P	22P	100P	39P	43P	100P	NO	NO	YES	L38-1239-05	68n
X45-3440-12	270	18	33	150P	82P	YES	47P	270P	100P	560P	12P	62P	8P	100P	27P	NO	47P	33P	120P	YES	NO	YES	L39-1215-25	96n

1 : MB1504PF
 51,53 : 1SV228
 52 : 1SV164

	C85	R54	R58	R63	L82	L84
16P	270	1.2K	270	L34-4290-05	L34-4294-05	
18P	220	1.8K	220	L34-4291-05	L34-4292-05	
7P	220	2.2K	220	L34-4292-05	L34-4295-05	



50.62dBm(TX)
 -120.06dBm(RX)

DC 13.4V
 13.5V
 12.7V(TX)