

KMC-9 (BASE MICROPHONE)

EXTERNAL VIEW



CHASSIS REMOVAL

1. Remove the four rubber feet (1).
2. Remove the four screws (2).
3. Remove the chassis (3).
4. Disconnect the 3-pin connector from the microphone amplification unit (4).

DISASSEMBLY FOR REPAIR

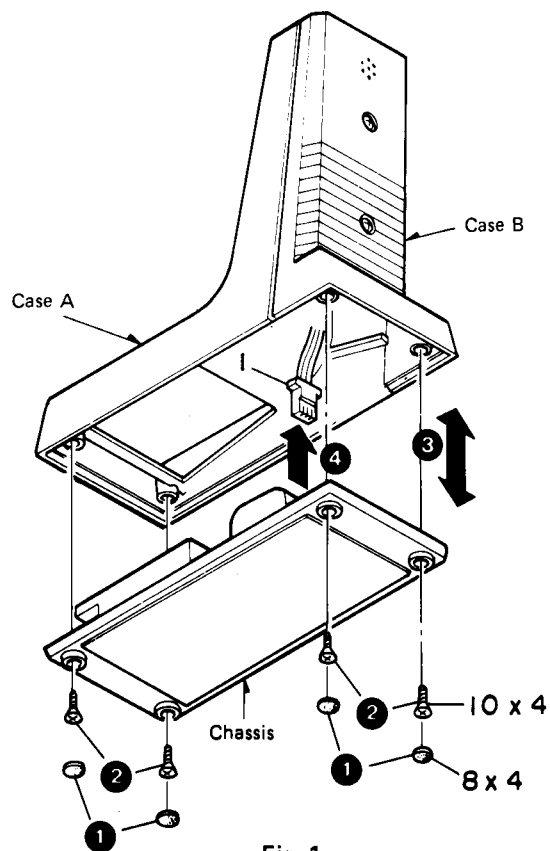


Fig. 1

REMOVAL OF MICROPHONE ELEMENT AND MICROPHONE AMPLIFICATION UNIT

5. Remove the two screws holding cases A and B (5).
6. Remove case B (6).
7. Remove the microphone element and microphone amplification unit (7).

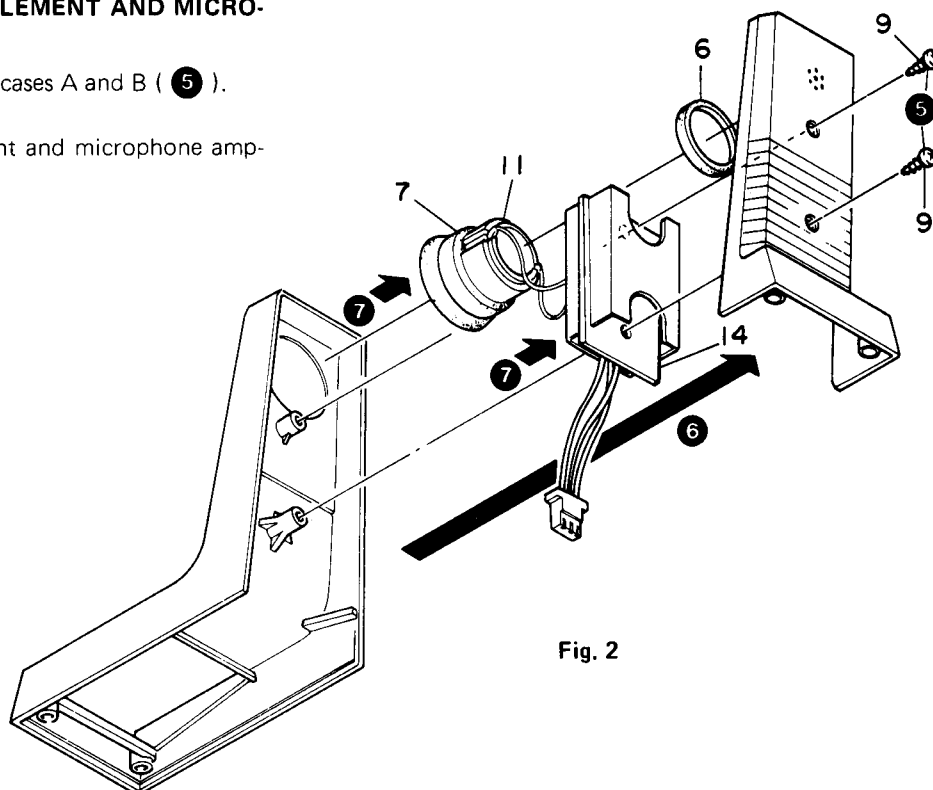


Fig. 2

KMC-9 (BASE MICROPHONE)

SWITCH UNIT REMOVAL

8. Disconnect the 6-pin connector (8).
9. Remove the springs (L and R) (9).
10. Pull out the shaft (10).
11. Remove spring A and slider (11).
12. Remove the switch unit while pressing the two claws holding the switch unit in the direction of the arrow (12).

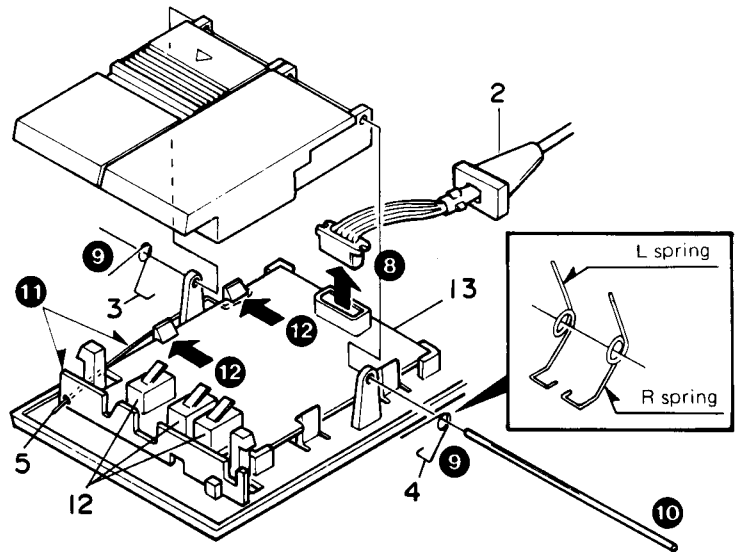


Fig. 3

REMOVING MICROPHONE PLUG

To remove the microphone plug (module) from the Main unit or from the microphone, grasp the rubber cap from up and down with your fingers (to unlock it) and pull it out.

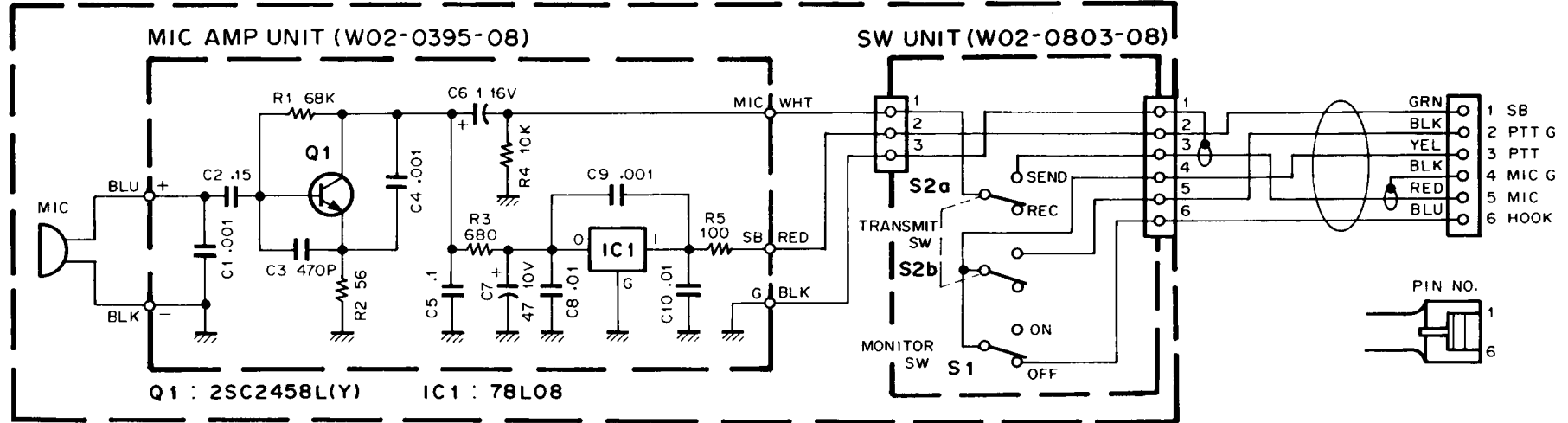
PARTS LIST

*New parts

| Ref. No. | New parts | Parts No. | Description |
|----------|-----------|-------------|----------------|
| 1 | | E23-0612-08 | CRIMP TERMINAL |
| 2 | | E30-2080-08 | CURL CORD |
| 3 | | G09-0423-08 | L SPRING |
| 4 | | G09-0424-08 | R SPRING |
| 5 | | G09-0425-08 | SPRING A |
| 6 | | G13-0877-08 | CUSHION |
| 7 | | G13-0878-08 | CUSHION D. |
| 8 | | J02-0448-08 | RUBBER FOOT |
| 9 | | N44-3018-45 | TAPPING SCREW |
| 10 | | N47-3010-46 | TAPPING SCREW |
| 11 | | T91-0368-08 | MIC UNIT |
| 12 | | S50-1430-08 | MICRO SWITCH |
| 13 | | W02-0803-08 | SW UNIT |
| 14 | | W02-0395-08 | MIC AMP UNIT |

CIRCUIT DIAGRAM

KMC-9



KMC-9 (BASE MICROPHONE)

SPECIFICATIONS

| SPECIFICATIONS | MODEL | KMC-9 |
|--------------------------|-------|--|
| Type | | Uni-directional Dynamic Microphone (Preamplifier built-in) |
| Output impedance | | 600Ω±30% (at 1kHz) |
| Sensitivity | | -50dB±3dB (at 1kHz, 0dB=1V/μ bar) |
| Frequency Characteristic | | 300~3000Hz (±6dB) |
| Power Requirements | | 13.8V DC (supplied from the radio) |
| Dimensions (W x H x D) | | 70 x 162 x 150mm (2-3/4 x 6-3/8 x 5-29/32 inch) |
| Weight | | 550g (1.2 lbs) |