



GM328/GM338/GM398 Mobile Radios

Detailed Service Manual

6804112J18-E

December, 2003

Computer Software Copyrights

The Motorola products described in this manual may include copyrighted Motorola computer programs stored in semiconductor memories or other media. Laws in the United States and other countries preserve for Motorola certain exclusive rights for copyrighted computer programs, including the exclusive right to copy or reproduce in any form, the copyrighted computer program. Accordingly, any copyrighted Motorola computer programs contained in the Motorola products described in this manual may not be copied or reproduced in any manner without the express written permission of Motorola. Furthermore, the purchase of Motorola products shall not be deemed to grant, either directly or by implication, estoppel or otherwise, any license under the copyrights, patents or patent applications of Motorola, except for the normal non-exclusive royalty-free license to use that arises by operation of law in the sale of a product.

DOCUMENT HISTORY

The following major changes have been implemented in this manual since the previous edition:

Edition	Description	Date
6804112J18-O	Initial edition	
6804112J18-E	Added Document History section.	Dec. 2003
	Changed to latest Safety Information (Feb. 2002)	
	Added GM328 model information to VHF, UHF1 and UHF2 bands.	

THIS PAGE INTENTIONALLY LEFT BLANK

GM328/GM338/GM398 Mobile Radios

Detailed Service Manual

Contents

Section 1	Service Maintainability
Section 2	Controlhead Service Information
Section 3	Controller Service Information
Section 4	VHF Service Information
Section 5	UHF Band 1 Service Information
Section 6	UHF Band 2 Service Information
Section 7	Low Band Service Information
Section 8	VHF 45W Bipolar Service Information
Section 9	UHF Band 1 40W Bipolar Service Information
Section 10	UHF Band 2 40W Bipolar Service Information
Section 11	UHF Band 1 40W LDMOS Service Information
Section 12	UHF Band 2 40W LDMOS Service Information

THIS PAGE INTENTIONALLY LEFT BLANK



GM328/GM338/GM398

Mobile Radios

Service Maintainability

Computer Software Copyrights

The Motorola products described in this manual may include copyrighted Motorola computer programs stored in semiconductor memories or other media. Laws in the United States and other countries preserve for Motorola certain exclusive rights for copyrighted computer programs, including the exclusive right to copy or reproduce in any form, the copyrighted computer program. Accordingly, any copyrighted Motorola computer programs contained in the Motorola products described in this manual may not be copied or reproduced in any manner without the express written permission of Motorola. Furthermore, the purchase of Motorola products shall not be deemed to grant, either directly or by implication, estoppel or otherwise, any license under the copyrights, patents or patent applications of Motorola, except for the normal non-exclusive royalty-free license to use that arises by operation of law in the sale of a product.

SAFETY INFORMATION

Product Safety and RF Exposure for Mobile Two-Way Radios Installed in Vehicles or as Fixed Site Control Stations



Caution

BEFORE USING THIS RADIO, READ THIS BOOKLET WHICH CONTAINS IMPORTANT OPERATING INSTRUCTIONS FOR SAFE USAGE AND RF ENERGY AWARENESS AND CONTROL INFORMATION FOR COMPLIANCE WITH RF ENERGY EXPOSURE LIMITS IN APPLICABLE NATIONAL AND INTERNATIONAL STANDARDS.

The information provided in this document supersedes the general safety information contained in user guides published prior to February 2002.

RF Energy Exposure Awareness and Control Information, and Operational Instructions for FCC Occupational Use Requirements

NOTICE: This radio is intended for use in occupational/controlled conditions, where users have full knowledge of their exposure and can exercise control over their exposure to meet FCC limits. This radio device is NOT authorized for general population, consumer or any other use.

This 2-way radio uses electromagnetic energy in the radio frequency (RF) spectrum to provide communications between two or more users over a distance. It uses radio frequency (RF) energy or radio waves to send and receive calls. RF energy is one form of electromagnetic energy. Other forms include, but are not limited to, sunlight and x-rays. RF energy, however, should not be confused with these other forms of electromagnetic energy, which when used improperly, can cause biological damage. Very high levels of x-rays, for example, can damage tissues and genetic material.

Experts in science, engineering, medicine, health, and industry work with organizations to develop standards for safe exposure to RF energy. These standards provide recommended levels of RF exposure for both workers and the general public. These recommended RF exposure levels include substantial margins of protection.

All Motorola 2-way radios are designed, manufactured, and tested to ensure they meet government-established RF exposure levels. In addition, manufacturers also recommend specific operating instructions to users of 2-way radios. These instructions are important because they inform users about RF energy exposure and provide simple procedures on how to control it.

Please refer to the following Web sites for more information on what RF energy exposure is and how to control your exposure to assure compliance with established RF exposure limits.

<http://www.fcc.gov/oet/rfsafety/rf-fags.html>

<http://www.osha.gov/SLTC/radiofrequencyradiation/index.html>

Federal Communication Commission (FCC) Regulations

The FCC rules require manufacturers to comply with the FCC RF energy exposure limits for mobile 2-way radios before they can be marketed in the U.S. When 2-way radios are used as a consequence of employment, the FCC requires users to be fully aware of and able to control their exposure to meet occupational requirements. Exposure awareness can be facilitated by the use of a label directing users to specific user awareness information. Your Motorola 2-way radio has a RF exposure product label. Also, your Motorola user manual, or separate safety booklet, includes information and operating instructions required to control your RF exposure and to satisfy compliance requirements.

Compliance with RF Exposure Standard

Your Motorola two-way radio is designed and tested to comply with a number of national and international standards and guidelines (listed below) regarding human exposure to radio frequency electromagnetic energy. This radio complies with the IEEE and ICNIRP exposure limits for occupational/controlled RF exposure environment at duty factors of up to 50% talk–50% listen and is authorized by the FCC for occupational use. In terms of measuring RF energy for compliance with the FCC exposure guidelines, your radio antenna radiates measurable RF energy only while it is transmitting (during talking), not when it is receiving (listening) or in standby mode.

Your Motorola two-way radio complies with the following RF energy exposure standards and guidelines:

- United States Federal Communications Commission, Code of Federal Regulations; 47 CFR part 2 sub-part J
- American National Standards Institute (ANSI) / Institute of Electrical and Electronic Engineers (IEEE) C95. 1-1992
- Institute of Electrical and Electronic Engineers (IEEE) C95.1-1999 Edition
- International Commission on Non-Ionizing Radiation Protection (ICNIRP) 1998
- Ministry of Health (Canada) Safety Code 6. Limits of Human Exposure to Radiofrequency Electromagnetic Fields in the Frequency Range from 3 kHz to 300 GHz, 1999
- Australian Communications Authority Radiocommunications (Electromagnetic Radiation - Human Exposure) Standard, 2003
- ANATEL, Brasil Regulatory Authority, Resolution 256 (April 11, 2001) “additional requirements for SMR, cellular and PCS product certification.”

RF Exposure Compliance and Control Guidelines and Operating Instructions

To control exposure to yourself and others and to ensure compliance with the RF exposure limits, always adhere to the following procedures.

Guidelines

- User awareness instructions should accompany device when transferred to other users.
- Do not use this device if the operational requirements described herein are not met.

Instructions

- **Transmit no more than the rated duty factor of 50% of the time.** To transmit (talk), push the Push-To-Talk (PTT) button. To receive calls, release the PTT button. Transmitting 50% of the time, or less, is important because this radio generates measurable RF energy exposure only when transmitting (in terms of measuring for standards compliance).
- **Transmit only when people outside the vehicle are at least the recommended minimum lateral distance away, as shown in Table 1, from the body of a vehicle with a properly installed antenna.** This separation distance will ensure that there is sufficient distance from a

properly installed (according to installation instructions) externally-mounted antenna to satisfy the RF exposure requirements in the standards listed above.

NOTE: Table 1 below lists the recommended lateral distance for bystanders in an uncontrolled environment from the body of a vehicle with an approved, properly installed transmitting antenna (i.e., monopoles over a ground plane, or dipoles) at several different ranges of rated radio power for mobile radios installed in a vehicle.

Table 1: Rated Power of Vehicle-Installed Mobile Two-Way Radio and Recommended Minimum Lateral Distance from Vehicle Body

Mobile Radio Rated Power (see Note)	Minimum Lateral Distance from Vehicle Body
Less than 7 watts	8 inches (20 centimeters)
7 to 15 watts	1 foot (30 centimeters)
16 to 39 watts	2 feet (60 centimeters)
40 to 110 watts	3 feet (90 centimeters)

NOTE: If you are not sure of the rated power of your radio, contact your Motorola representative or dealer and supply the radio model number found on the radio model label. If you cannot determine the rated power out, then assure 3-foot separation from the body of the vehicle.

Mobile Antenna Installation Guidelines

- These mobile antenna installation guidelines are limited to metal body motor vehicles or vehicles with appropriate ground planes.
- Antennas should be installed in the center area of the roof or the trunk lid taking into account the bystander exposure conditions of backseat passengers and according to the specific instructions and restrictions in the Radio Installation Manual along with the requirements of the antenna supplier.
- Trunk lid installations are limited to vehicles with clearly defined flat trunk lide, and in some cases, to specific radio models and antennas. See the Radio Installation Manual for specific information on how and where to install specific types of approved antennas to facilitate recommended operating distances to all potentially exposed persons.
- **Use only the Motorola-approved, supplied antenna or a Motorola-approved replacement antenna.** Unauthorized antennas, modifications, or attachments could damage the radio and may result in non-compliance with RF Safety Standards.

Approved Accessories

- This radio has been tested and meets RF Safety Standards when used with the Motorola accessories supplied or designated for this product. Use of other accessories may result in non-compliance with RF Safety Standards.
- For a list of Motorola-approved antennas, visit the following Web site, which lists approved accessories for your radio model: <http://ap.cgiss.motorola.com/AAD/index.html>

Additional Information

For additional information on exposure requirements or other training information, visit <http://www.motorola.com/rfhealth>.

Compliance and Control Guidelines and Operating Instructions for Mobile Two-Way Radios Installed as Fixed Site Stations

If mobile radio equipment is installed at a fixed location and operated as a control station or as a fixed unit, the antenna installation must comply with the following requirements in order to ensure optimal performance and compliance with the RF energy exposure limits in the standards and guidelines listed on page ii:

- The antenna should be mounted outside the building on the roof or a tower if at all possible.
- As with all fixed site antenna installations, it is the responsibility of the licensee to manage the site in accordance with applicable regulatory requirements and may require additional compliance actions such as site survey measurements, signage, and site access restrictions in order to ensure that exposure limits are not exceeded.

Electromagnetic Interference/Compatibility

NOTE:Nearly every electronic device is susceptible to electromagnetic interference (EMI) if inadequately shielded, designed, or otherwise configured for electromagnetic compatibility. It may be necessary to conduct compatibility testing to determine if any electronic equipment used in or around vehicles or near fixed site antenna is sensitive to external RF energy or if any procedures need to be followed to eliminate or mitigate the potential for interaction between the radio transmitter and the equipment or device.

Facilities

To avoid electromagnetic interference and/or compatibility conflicts, **turn off your radio in any facility where posted notices instruct you to do so.** Hospitals or health care facilities may be using equipment that is sensitive to external RF energy.

Vehicles

To avoid possible interaction between the radio transmitter and any vehicle electronic control modules, such as ABS, engine, or transmission controls, the radio should be installed only by an experienced installer and the following precautions should be used when installing the radio:

1. Refer to the manufacturer's instructions or other technical bulletins for recommendations on radio installation.
2. Before installing the radio, determine the location of the electronic control modules and their harnesses in the vehicle.
3. Route all radio wiring, including the antenna transmission line, as far away as possible from the electronic control units and associated wiring.

Driver Safety

Check the laws and regulations on the use of radios in the area where you drive. Always obey them.

When using your radio while driving, please:

- Give full attention to driving and to the road.
- Pull off the road and park before making or answering a call if driving conditions so require.

Operational Warnings



WARNING

For Vehicles With An Air Bag

Do not mount or place a mobile radio in the area over an air bag or in the air bag deployment area. Air bags inflate with great force. If a radio is placed in the air bag deployment area and the air bag inflates, the radio may be propelled with great force and cause serious injury to occupants of the vehicle.

Potentially Explosive Atmospheres

Turn off your radio prior to entering any area with a potentially explosive atmosphere. Sparks in a potentially explosive atmosphere can cause an explosion or fire resulting in bodily injury or even death.

The areas with potentially explosive atmospheres include fueling areas such as below decks on boats, fuel or chemical transfer or storage facilities, and areas where the air contains chemicals or particles such as grain, dust or metal powders. Areas with potentially explosive atmospheres are often, but not always, posted.



WARNING

Blasting Caps And Blasting Areas

To avoid possible interference with blasting operations, turn off your radio when you are near electrical blasting caps, in a blasting area, or in areas posted: "Turn off two-way radio." Obey all signs and instructions.

For radios installed in vehicles fueled by liquefied petroleum gas, refer to the (U.S.) National Fire Protection Association standard, NFPA 58, for storage, handling, and/or container information. For a copy of the LP-gas standard, NFPA 58, contact the National Fire Protection Association, One Battery Park, Quincy, MA.

THIS PAGE INTENTIONALLY LEFT BLANK

Table of Contents

SAFETY INFORMATION.....	i
-------------------------	---

Section 1 Introduction

1.0 Scope of Manual.....	1-1
2.0 Warranty and Service Support.....	1-1
2.1 Warranty Period and Return Instructions	1-1
2.2 After Warranty Period	1-1
2.3 Piece Parts Availability	1-2
2.4 Technical Support.....	1-2
2.5 Further Assistance From Motorola	1-2
3.0 Radio Model Information.....	1-3

Section 2 Maintenance

1.0 Introduction	2-1
2.0 Preventive Maintenance	2-1
2.1 Inspection	2-1
2.2 Cleaning	2-1
3.0 Safe Handling of CMOS and LDMOS.....	2-2
4.0 General Repair Procedures and Techniques.....	2-2
5.0 Notes For All Schematics and Circuit Boards	2-5

Section 3 Service Aids

1.0 Recommended Test Tools.....	3-1
2.0 Test Equipment.....	3-2

THIS PAGE INTENTIONALLY LEFT BLANK

Section 1

INTRODUCTION

1.0 Scope of Manual

This manual is intended for use by service technicians familiar with similar types of equipment. It contains service information required for the equipment described and is current as of the printing date. Changes which occur after the printing date may be incorporated by a complete manual revision or alternatively as additions.

NOTE Before operating or testing these units, please read the Safety Information section in the front of this manual.

2.0 Warranty and Service Support

Motorola offers support which includes: full exchange and/or repair of the product during the warranty period; and service/repair or spare parts support out of warranty. Any “return for exchange” or “return for repair” to an authorized Motorola Dealer must be accompanied by a Warranty Claim Form. Warranty Claim Forms are obtained by contacting an Authorized Motorola Dealer.

2.1 Warranty Period and Return Instructions

The terms and conditions of warranty are defined fully in the Motorola Dealer or Distributor or Reseller contract. These conditions may change from time to time, and the following subsections are for guidance purposes only.

In instances where the product is covered under a “return for replacement” or “return for repair” warranty, a check of the product should be performed prior to shipping the unit back to Motorola. This is to ensure that the product has been correctly programmed or has not been subjected to damage outside the terms of the warranty.

Prior to shipping any radio back to the appropriate Motorola warranty depot, please contact Customer Resources. All returns must be accompanied by a Warranty Claim Form, available from your Customer Resources representative. Products should be shipped back in the original packaging, or correctly packaged to ensure that no damage occurs in transit.

2.2 After Warranty Period

After the Warranty period, Motorola continues to support its products in two ways:

1. Motorola's Accessories and Aftermarket Division (AAD) offers a repair service to both end users and dealers at competitive prices.
2. AAD supplies individual parts and modules that can be purchased by dealers who are technically capable of performing fault analysis and repair.

2.3 Piece Parts Availability

Some replacement parts, spare parts, and/or product information can be ordered directly. If a complete Motorola part number is assigned to the part, it is available from Motorola's Accessories and Aftermarket Division (AAD). If no part number is assigned, the part is not normally available from Motorola. If the part number is appended with an asterisk, the part is serviceable by Motorola Depot only. If a parts list is not included, this generally means that no user-serviceable parts are available for that kit or assembly.

All orders for parts/information should include the complete Motorola identification number. All part orders should be directed to your local AAD office. Please refer to your latest price pages.

2.4 Technical Support

Technical support is available to assist the dealer/distributor in resolving any malfunction which may be encountered. Initial contact should be by telephone wherever possible. When contacting Motorola Technical Support, be prepared to provide the product **model number** and the unit's **serial number**.

2.5 Further Assistance From Motorola

You can also call the CGISS Indirect Business Customer Help Desk number, (604)-6302525 or send an email to customercare.asia@motorola.com.

3.0 Radio Model Information

The model number and serial number are located on a label attached to the back of your radio. You can determine the RF output power, frequency band, protocols, and physical packages. The example below shows one mobile radio model number and its specific characteristics.

Table 1-1 Radio Model Number (**Example:** AZM25KHF9AA5)

	Type of Unit	Model Series	Freq. Band	Power Level	Physical Packages	Channel Spacing	Protocol	Feature Level
AZ = Country Code	M ↑ M = Mobile	25	K VHF (136-174MHz)	H 1-25W	C GM328	9 Program- mable	AA Conventional	1 GM328
			R UHF1 (403-470MHz)	K 25-60W	F GM338			5 GM338
			S UHF2 (450-527MHz)		N GM398			8 GM398
			B LB, R1 (29.7-36MHz)					
			C LB, R2 (36-40MHz)					
			D LB, R3 (42-50MHz)					

THIS PAGE INTENTIONALLY LEFT BLANK

Section 2

MAINTENANCE

1.0 Introduction

This chapter of the manual describes:

- preventive maintenance
- safe handling of CMOS devices
- repair procedures and techniques

2.0 Preventive Maintenance

The radios do not require a scheduled preventive maintenance program; however, periodic visual inspection and cleaning is recommended.

2.1 Inspection

Check that the external surfaces of the radio are clean, and that all external controls and switches are functional. It is not recommended to inspect the interior electronic circuitry.

2.2 Cleaning

The following procedures describe the recommended cleaning agents and the methods to be used when cleaning the external and internal surfaces of the radio. External surfaces include the front cover, housing assembly, and battery case. These surfaces should be cleaned whenever a periodic visual inspection reveals the presence of smudges, grease, and/or grime.

NOTE Internal surfaces should be cleaned only when the radio is disassembled for servicing or repair.

The only recommended agent for cleaning the external radio surfaces is a 0.5% solution of a mild dishwashing detergent in water. The only factory recommended liquid for cleaning the printed circuit boards and their components is isopropyl alcohol (70% by volume).



CAUTION: The effects of certain chemicals and their vapors can have harmful results on certain plastics. Aerosol sprays, tuner cleaners, and other chemicals should be avoided.

1. Cleaning External Plastic Surfaces

The detergent-water solution should be applied sparingly with a stiff, non-metallic, short-bristled brush to work all loose dirt away from the radio. A soft, absorbent, lintless cloth or tissue should be used to remove the solution and dry the radio. Make sure that no water remains entrapped near the connectors, cracks, or crevices.

2. Cleaning Internal Circuit Boards and Components

Isopropyl alcohol may be applied with a stiff, non-metallic, short-bristled brush to dislodge embedded or caked materials located in hard-to-reach areas. The brush stroke should direct the dislodged material out and away from the inside of the radio. Make sure that controls or tunable components are not soaked with alcohol. Do not use high-pressure air to hasten the drying process since this could cause the liquid to collect in unwanted places. Upon completion of the cleaning process, use a soft, absorbent, lintless cloth to dry the area. Do not brush or apply any isopropyl alcohol to the frame, front cover, or back cover.

NOTE Always use a fresh supply of alcohol and a clean container to prevent contamination by dissolved material (from previous usage).

3.0 Safe Handling of CMOS and LDMOS

Complementary metal-oxide semiconductor (CMOS) devices are used in this family of radios. CMOS characteristics make them susceptible to damage by electrostatic or high voltage charges. Damage can be latent, resulting in failures occurring weeks or months later. Therefore, special precautions must be taken to prevent device damage during disassembly, troubleshooting, and repair.

Handling precautions are mandatory for CMOS circuits and are especially important in low humidity conditions. DO NOT attempt to disassemble the radio without first referring to the CMOS CAUTION paragraph in the Disassembly and Reassembly section of the manual.

4.0 General Repair Procedures and Techniques

Parts Replacement and Substitution

When damaged parts are replaced, identical parts should be used. If the identical replacement component is not locally available, check the parts list for the proper Motorola part number and order the component from the nearest Motorola Communications parts center listed in the "Piece Parts" section of this manual.

Rigid Circuit Boards

The family of radios uses bonded, multi-layer, printed circuit boards. Since the inner layers are not accessible, some special considerations are required when soldering and unsoldering components. The through-plated holes may interconnect multiple layers of the printed circuit. Therefore, care should be exercised to avoid pulling the plated circuit out of the hole.

When soldering near the 18-pin and 40-pin connectors:

- avoid accidentally getting solder in the connector.
- be careful not to form solder bridges between the connector pins
- closely examine your work for shorts due to solder bridges.

Chip Components

Use either the RLN4062 Hot-Air Repair Station or the Motorola 0180381B45 Repair Station for chip component replacement. When using the 0180381B45 Repair Station, select the TJ-65 mini-thermojet hand piece. On either unit, adjust the temperature control to 370 °C (700 °F), and adjust the airflow to a minimum setting. Airflow can vary due to component density.

- **To remove a chip component:**

1. Use a hot-air hand piece and position the nozzle of the hand piece approximately 0.3 cm (1/8") above the component to be removed.
2. Begin applying the hot air. Once the solder reflows, remove the component using a pair of tweezers.
3. Using a solder wick and a soldering iron or a power desoldering station, remove the excess solder from the pads.

- **To replace a chip component using a soldering iron:**

1. Select the appropriate micro-tipped soldering iron and apply fresh solder to one of the solder pads.
2. Using a pair of tweezers, position the new chip component in place while heating the fresh solder.
3. Once solder wicks onto the new component, remove the heat from the solder.
4. Heat the remaining pad with the soldering iron and apply solder until it wicks to the component. If necessary, touch up the first side. All solder joints should be smooth and shiny.

- **To replace a chip component using hot air:**

1. Use the hot-air hand piece and reflow the solder on the solder pads to smooth it.
2. Apply a drop of solder paste flux to each pad.
3. Using a pair of tweezers, position the new component in place.
4. Position the hot-air hand piece approximately 0.3 cm (1/8") above the component and begin applying heat.
5. Once the solder wicks to the component, remove the heat and inspect the repair. All joints should be smooth and shiny.

Shields

Removing and replacing shields will be done with the R1070 station with the temperature control set to approximately 215°C (415°F) [230°C (445°F) maximum].

- **To remove the shield:**

1. Place the circuit board in the R1070 circuit board holder.
2. Select the proper heat focus head and attach it to the heater chimney.
3. Add solder paste flux around the base of the shield.
4. Position the shield under the heat-focus head.
5. Lower the vacuum tip and attach it to the shield by turning on the vacuum pump.
6. Lower the focus head until it is approximately 0.3 cm (1/8") above the shield.
7. Turn on the heater and wait until the shield lifts off the circuit board.
8. Once the shield is off, turn off the heat, grab the part with a pair of tweezers, and turn off the vacuum pump.
9. Remove the circuit board from the R1070 circuit board holder.

- **To replace the shield:**

1. Add solder to the shield if necessary, using a micro-tipped soldering iron.
2. Next, rub the soldering iron tip along the edge of the shield to smooth out any excess solder. Use solder wick and a soldering iron to remove excess solder from the solder pads on the circuit board.
3. Place the circuit board back in the R1070 circuit board holder.
4. Place the shield on the circuit board using a pair of tweezers.
5. Position the heat-focus head over the shield and lower it to approximately 0.3 cm (1/8") above the shield.
6. Turn on the heater and wait for the solder to reflow.
7. Once complete, turn off the heat, raise the heat-focus head and wait approximately one minute for the part to cool.
8. Remove the circuit board and inspect the repair. No cleaning should be necessary.

5.0 Notes For All Schematics and Circuit Boards

* Component is frequency sensitive. Refer to the Electrical Parts List for value and usage.

1. Unless otherwise stated, resistances are in Ohms (K = 1000), and capacitances are in picofarads (pF) or microfarads (μ F).
2. DC voltages are measured from point indicated to chassis ground using a Motorola DC multimeter or equivalent. Transmitter measurements should be made with a 1.2 μ H choke in series with the voltage probe to prevent circuit loading.
3. Interconnect Tie Point Legend:

16_8MHz	16.8MHz Reference Frequency
3V3	Regulated 3.3V Supply Voltage for Voice Storage
5V	Regulated 5V Supply Voltage for RF Circuitry
5V	Regulated 5V Supply Voltage (Control Head)
5V RF	Regulated 5V Supply Voltage for RF Circuitry
5V SOURCE	5V Signal to Switch On Control Head
5VD	Regulated 5V Supply Voltage for Digital Circuitry
9V3	Regulated 9.3V Supply Voltage
9V3FLT	Filtered 9.3V Supply Voltage
A+	13.2V Supply Voltage
ADDR	μ P Address Lines
AN	Analog Lines to Analog to Digital Converter
ANALOG INPUT 2	External Keypad Matrix Column Signal
ANALOG INPUT 3	External Keypad Matrix Row Signal
BATTERY VOLTAGE	Battery Voltage Sense Line
BL A GREEN	Back Light Anode Green
BL A RED	Back Light Anode Red
BL GREEN	Green Back Light Control
BL K GREEN	Back Light Cathode Green
BL K RED	Back Light Cathode Red
BL KP Green	Green Keypad Back Light Control

BL KP RED	Red Keypad Back Light Control
BL LCD GREEN	Green Display Back Light Control
BL LCD RED	Red Display Back Light Control
BL RED	Red Back Light Control
BOOT CNTRL	Bootstrap Mode Enable Signal
BOOT MODE	Boot Mode Select
BOOT PWR ON	Control Head Switch On Signal
BOOT SCI RX	Serial Communication Interface Receive Line
BOOT SCI TX	Serial Communication Interface Transmit Line
BOOT VPP	Boot Mode Select
BUS+	Bi-directional Serial Communication Line
BWSELECT	Signal to select between the Ceramic Filter Pairs
CH ACT	Channel Activity Indicator Signal (Fast Squelch)
CH KP ID	Control Head Keypad ID (Data) Lines
CH REQUEST	Control Head Request from Control Head μ P
CLK	Clock Signal
CNTLVLTG	PA Power Control Voltage
CNTR AUDIO	Audio Lines of the Controller
COL x	Keypad Matrix Column x
CSX	Chip Select Line PCIC / FRACN
DATA	Data Signal
DC POWER ON	Electronic Switching On or Off of the Radio's Voltage Regulators
DISCAUDIO	Audio Output Signal from the Receiver IC
ECLK	Clock (not used)
EE CS	EEPROM Chip Select
EMERGENCY CONTROL	Emergency Line to switch on the Radio's Voltage Regulators
EXP BD REQ	Service Request Line from Expansion Board

EXP1 CS	Expansion Board Chip Select 1
EXP2 CS	Expansion Board Chip Select 2
EXT KP COL	External Keypad Matrix Column Signal
EXT KP ROW	External Keypad Matrix Row Signal
EXT MIC	External (from Accessory Connector) Microphone Input
EXT SWB+	External Switched 13.2V Supply Voltage
F1200	Interrupt Line from ASFIC CMP
FECTRL 1	Control Voltage for Front End Filter
FECTRL 2	Control Voltage for Front End Attenuator Switch
FLASH CS	Flash Chip Select
FLASH OE	Flash Output Enable
FLAT RX SND	Option Board Audio Output Signal
FLAT TX RTN	Flat TX Input from Option Board and Accessory Connector
FLT A+	Filtered 13.2 V Supply Voltage
GP x IN	General Purpose Input x
GP x IN ACC y	General Purpose Input x from Accessory Connector Pin y
GP x IN OUT ACC y	General Purpose Input/Output x from Accessory Connector Pin y
GP x OUT	General Purpose Output x
GP x OUT ACC y	General Purpose Input x from Accessory Connector Pin y
GPIO	General Purpose Input Output Lines
HANDSET AUDIO	Handset Audio Output
HOOK	Hang-up Switch Input
HSIO	High Speed Clock In / Data Out
IF	First Intermediate Frequency Signal
IGNITION CONTROL	Ignition Line to switch on the Radio's Voltage Regulators
IN 5V RF REG	Supply Voltage for 5V Regulator in RF Section
INT KP COL	Internal Keypad Matrix Column Signal

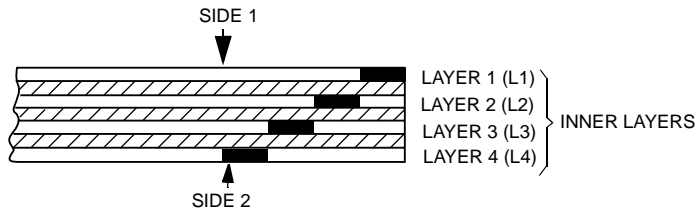
INT KP ROW	Internal Keypad Matrix Row Signal
INT MIC	Internal (from Control Head) Microphone Input
INT SWB	Internal Switched 13.2V Supply Voltage
INT SWB+	Internal Switched 13.2V Supply Voltage
IRQ	Interrupt Request from Control Head
K9V1	9.1V in Transmit Mode
KEYPAD ID	Keypad Identification Line
LCD A0	LCD Control / Display Data Select
LCD CS	LCD Chip Select
LCD DATA	LCD Data Lines
LCD E RD	LCD Enable Read
LCD RW WR	LCD Read Write Control
LED CNTRL	LED Control Lines
LED GREEN	Green LED Control
LED RED	Red LED Control
LED YELLOW	Yellow LED Control
LOCK	Lock Detect Signal from Synthesizer
LSIO	Low Speed Clock In / Data Out
LVZIF CS	LVZIF Chip Select (not used)
MIC	Microphone Input
MISO	Serial Peripheral Interface Receive Line
MODIN	Modulation Signal into the Synthesizer
MOSBIAS 2	PA Bias Voltage for second Stage
MOSBIAS 3	PA Bias Voltage for third Stage
NOISE BLNKR	Noise Blanker Enable (Low Band only)
ON OFF CONTROL	Service Request Line from Control Head / Manual Switching On of the Radio's Voltage Regulators
ON OFF SENSE (Control Head)	On/Off Sense Line to Control Head μ P

ON OFF SENSE (Controller)	Service Request Line from Control Head
OPT CS	Option Board Chip Select
OPT PTT	PTT from Option Board
PA PWR SET	ASFIC Output Voltage to set the Transmitter Power
PA SWB	Switches Supply Voltage for PA Current Control Circuitry
PA SUPVLTG	13.2 V Supply Voltage of the Transmitter PA
PCIC MOSBIAS 1	PA Bias Voltage for first Stage
PRESC	Prescaler Signal from VCO to Synthesizer
PTT IRDEC	Microphone PTT Input
PTT IRDECODER	Microphone PTT Input
R W	Read Write Signal for RAM / Flash
RAM CS	RAM Chip Select
RDY	Service Request Line from Option Board
REF CS	Reference Chip Select (not used)
RESET	Reset Line
ROW x	Keypad Matrix Row x
RSSI	Received Signal Strength Indicator
RX ADAPT	Flat TX Path Disable during Transmitter Key-up
RX AUD RTN	Option Board Input / Output of Receiver Audio Path
RX FLAT FILTERED AUDIO	Flat or Filtered Audio to Accessory Connector
RXIN	RF Signal from Antenna Switch into the Receiver
RXINJ	RF Signal from the VCO into the Mixer
SCI RX	Serial Communication Interface Receive Line
SCI TX	Serial Communication Interface Transmit Line
SPI	Serial Peripheral Interface Bus
SPKR-	Negative Audio PA Speaker Output
SPKR+	Positive Audio PA Speaker Output

SQ DET	Squelch Detect Signal
SYN	μ P Clock Signal
TEMP SENSE	Temperature Sense Line for LCD
TEMPSENSE	Temperature Sense Line from PA to μ P
TRB	TX/RX VCO Switch Signal
TX AUD RTN	Option Board Output to Transmit Audio Path
TX AUD SND	Microphone Audio to Option Board
TXINJ	RF Signal from the VCO into the Transmitter PA
U DRIVER	Supply Voltage for PA Driver
U PREDRIVER	Supply Voltage for PA Pre-driver
UNSW 5V	Permanent 5V Supply
URX SND	Filtered Audio Signal to Option Board
VAG	2.5V Reference Voltage for Analog Circuitry
VCBIAS 1	Switch Signal from Synthesizer
VCBIAS 2	Switch Signal from Synthesizer
VCOMOD	Modulation Signal into VCO
VCTRL	VCO Frequency Control Voltage
VDDA	Regulated 5V for Digital Circuitry in RF Section
VOLTAGE SENSE	Voltage Sense Line from LCD
VOLUME	Volume Pot Output
VOX	Voice Operated Transmit Level
VPP	Boot Mode Select
VS AUDIOSEL	Switch Signal to Enable Option Board Audio Output Signal
VS GAINSEL	Voice Storage Gain Select Line
VS INT	Voice Storage Interrupt Line
VS MIC	Voice Storage Audio Signal into Microphone Path
VS RAC	Voice Storage Row Address Clock Signal

VSF Voltage Super Filtered (5V)
VSTBY 5V Supply for μ P when the Radio is switched off

4-LAYER CIRCUIT BOARD DETAIL VIEWING
COPPER STEPS IN PROPER LAYER SEQUENCE



THIS PAGE INTENTIONALLY LEFT BLANK

Section 3

SERVICE AIDS

1.0 Recommended Test Tools

Table 3-1 lists the service aids recommended for working on the radio. While all of these items are available from Motorola, most are standard workshop equipment items, and any equivalent item capable of the same performance may be substituted for the item listed.

Table 3-1 Service Aids

Motorola Part Number	Description	Application
RLN4460_	Portable Test Set	Enables connection to audio/accessory jack. Allows switching for radio testing.
RKN4081_	Programming Cable with Internal RIB	Includes radio interface box (RIB) capability.
RLN4853_	10 to 20 Pin Adapter	Connects RKN4081_ to the radio accessory connector.
RKN4083_	Mobile Programming/Test Cable	Connects radio to RIB (RLN4008_).
GTF374_	Program Cable	Connects RIB to Radio microphone input
RLN4008_	Radio Interface Box	Enables communications between radio and computer's serial communications adapter.
HLN8027_	Mini UHF to BNC Adaptor	Adapts radio antenna port to BNC cabling of test equipment.
GPN6133_	Power Supply	Provides the radio with power when bench testing.
EPN4040_	Wall-Mounted Power Supply	Used to supply power to the RIB (UK).
EPN4041_	Wall-Mounted Power Supply	Used to supply power to the RIB (Euro)
8180384J59	Housing Eliminator (short)	Test Fixture used to bench test the radio PCB
8180384L95	Housing Eliminator (short + top)	Test Fixture used to bench test the radio PCB. (Radio using pressure pads to retain PCB)
8180384J60	Housing Eliminator (medium)	Test Fixture used to bench test the radio PCB
8180384J61	Housing Eliminator (long)	Test Fixture used to bench test the radio PCB
3080369B71	Computer Interface Cable	Connects the RIB to the Computer (25-pin)
3080369B72	Computer Interface Cable	Connects the RIB to the Computer 9-pin (Use for IBM PC AT - other IBM models use the B71 cable above)
6686119B01	Removal Tool	Assists in the removal of radio control head.

2.0 Test Equipment

Table 3-2 lists test equipment required to service the radio and other two-way radios.

Table 3-2 Recommended Test Equipment

Motorola Part Number	Description	Characteristics	Application
R2600_NT	Comms System Analyzer (non MPT)	This monitor will substitute for items with an asterisk*	Frequency/deviation meter and signal generator for widerange troubleshooting and alignment
R2680_NT	Comms System Analyzer (MPT1327) to be ordered with RLN1022_ (H/W) RLN1023_ (S/W)	This monitor will substitute for items with an asterisk*.	Frequency/deviation meter and signal generator for widerange troubleshooting and alignment
*R1072_	Digital Multimeter		AC/DC voltage and current measurements
*R-1377_	AC Voltmeter	100 μ V to 300V, 5Hz - 1MHz, 10Megohm input impedance	Audio voltage measurements
WADN133	Delay Oscilloscope	2 Channel 40MHz bandwidth, 5mV/cm - 20 V/cm	Waveform measurements
R1440_ 0180305F17 0180305F31 0180305F39 RLN4610 T1013_	Wattmeter, Plug-in Elements Plug-in Elements Plug-in Elements Carry case RF Dummy Load	ThruLine 50-Ohm, \pm 5% accuracy 100W, 25 - 60MHz 25W, 100-250MHz 10W, 200-250MHz Wattmeter and 6 elements	Transmitter power output measurements
S1339_	RF Millivolt Meter	100mV to 3 VRF. 10kHz to 1.2GHz	RF level measurements
R1011_/220V	220V Power Supply	0 - 40V 0 - 40A	Programmable



GM328/GM338/GM398

Mobile Radios

Controlhead

Service Information

Computer Software Copyrights

The Motorola products described in this manual may include copyrighted Motorola computer programs stored in semiconductor memories or other media. Laws in the United States and other countries preserve for Motorola certain exclusive rights for copyrighted computer programs, including the exclusive right to copy or reproduce in any form, the copyrighted computer program. Accordingly, any copyrighted Motorola computer programs contained in the Motorola products described in this manual may not be copied or reproduced in any manner without the express written permission of Motorola. Furthermore, the purchase of Motorola products shall not be deemed to grant, either directly or by implication, estoppel or otherwise, any license under the copyrights, patents or patent applications of Motorola, except for the normal non-exclusive royalty-free license to use that arises by operation of law in the sale of a product.

Table of Contents

Section 1 overview

1.0 GM328 Model (GCN6112_).....	1-1
2.0 GM338 Model (GCN6114_).....	1-2
3.0 GM398 Model (GCN6115_).....	1-3

Section 2 Theory of Operation

1.0 Introduction	2-1
2.0 Controlhead Model for GM328.....	2-1
2.1 Power Supplies.....	2-1
2.2 Power On / Off.....	2-1
2.3 Microprocessor Circuit.....	2-2
2.4 SBEP Serial Interface.....	2-2
2.5 Keypad Keys	2-3
2.6 Status LED and Back Light Circuit	2-3
2.7 Microphone Connector Signals	2-3
2.8 Speaker	2-4
2.9 Electrostatic Transient Protection.....	2-4
3.0 Controlhead Model for GM338.....	2-4
3.1 Power Supplies.....	2-4
3.2 Power On / Off.....	2-4
3.3 Microprocessor Circuit.....	2-5
3.4 SBEP Serial Interface.....	2-5
3.5 Keypad Keys	2-6
3.6 Status LED and Back Light Circuit	2-6
3.7 Liquid Crystal Display (LCD)	2-7
3.8 Microphone Connector Signals	2-7
3.9 Speaker	2-8
3.10 Electrostatic Transient Protection.....	2-8
4.0 Controlhead Model for GM398.....	2-9
4.1 Power Supplies.....	2-9
4.2 Voltage Regulator Circuit.....	2-9
4.3 Power On / Off.....	2-9
4.4 Microprocessor Circuit.....	2-10
4.5 SBEP Serial Interface.....	2-10
4.6 Keypad Keys	2-11
4.7 Status LED and Back Light Circuit	2-11
4.8 Liquid Crystal Display (LCD)	2-12
4.9 Microphone Connector Signals	2-12

4.10 Speaker (Remote Mount Configuration only)	2-13
4.11 Electrostatic Transient Protection.....	2-13

Section 3 Troubleshooting Charts

1.0 Controlhead GM328 Troubleshooting Flow Chart	3-1
1.1 On/Off	3-1
1.2 Microprocessor	3-2
2.0 Controlhead GM338 Troubleshooting Flow Chart	3-3
2.1 On/Off	3-3
2.2 Microprocessor	3-4
2.3 Display	3-5
2.4 Backlight.....	3-6
3.0 Controlhead GM398 Troubleshooting Flow Chart	3-7
3.1 On/Off	3-7
3.2 Microprocessor	3-8
3.3 Microprocessor (cont.).....	3-9
3.4 Display	3-10
3.5 Keypad Backlight	3-11
3.6 Display Backlight	3-12

Section 4 Controlhead PCBs / Schematics / Parts lists

1.0 Allocation of Schematics and Circuit Boards	4-1
2.0 Controlhead GM328 - PCB 8486146B07 / Schematics.....	4-3
Controlhead GM328 - PCB 8486146B07	4-3
Controlhead GM328 - Schematic Sheet 1 of 2.....	4-4
Controlhead GM328 - Schematic Sheet 2 of 2.....	4-5
Controlhead PCB 8486146B07 Parts List	4-6
3.0 Controlhead GM338 - PCB 8486155B06 / Schematics.....	4-7
Controlhead GM338 - PCB 8486155B06	4-7
Controlhead GM338 - Schematic Sheet 1 of 4.....	4-8
Controlhead GM338 - Schematic Sheet 2 of 4.....	4-9
Controlhead GM338 - Schematic Sheet 3 of 4.....	4-10
Controlhead GM338 - Schematic Sheet 4 of 4.....	4-11
Controlhead PCB 8486155B06 Parts List	4-12
4.0 Controlhead GM398 - PCB 8486178B03 / Schematics.....	4-13
Controlhead GM398 - PCB 8486178B03	4-13
Controlhead GM398 - Schematic Sheet 1 of 4.....	4-14
Controlhead GM398 - Schematic Sheet 2 of 4.....	4-15
Controlhead GM398 - Schematic Sheet 3 of 4.....	4-16
Controlhead GM398 - Schematic Sheet 4 of 4.....	4-17
Controlhead PCB 8486178B03 Parts List	4-18

Section 1

OVERVIEW

1.0 GM328 Model (GCN6112_)

The Controlhead contains the internal speaker, the on/off/volume knob, the microphone connector, several buttons to operate the radio and several indicator Light Emitting Diodes (LED) to inform the user about the radio status. To control the LED's and to communicate with the host radio the control head uses the Motorola 68HC11E9 microprocessor.



2.0 GM338 Model (GCN6114_)

The Controlhead contains the internal speaker, the On/Off/Volume knob, the microphone connector, several buttons to operate the radio, several indicator Light Emitting Diodes (LED) to inform the user about the radio status, and a 14 character Liquid Crystal Display (LCD) for alpha - numerical information e.g. channel number or call address name. To control the LED's and the LCD, and to communicate with the host radio the control head uses the Motorola 68HC11E9 microprocessor.



3.0 GM398 Model (GCN6115_)

The Controlhead contains the On/Off/Volume knob, the microphone connector, several buttons to operate the radio, several indicator Light Emitting Diodes (LED) to inform the user about the radio status, and a Liquid Crystal Display (LCD) with 21 pre - defined symbols and a 32*96 dot matrix for graphical or alpha - numerical information e.g. channel number, select code, call address name. To control the LEDs and the LCD, and to communicate with the host radio the control head uses the Motorola 68HC11K4 microprocessor.



THIS PAGE INTENTIONALLY LEFT BLANK

Section 2

THEORY OF OPERATION

1.0 Introduction

This Chapter provides a detailed theory of operation for the Controlhead circuits. For details of the trouble shooting refer to the related Section of this manual.

2.0 Controlhead Model for GM328

The controlhead contains the internal speaker, the On/Off/Volume knob, the microphone connector, several buttons to operate the radio and several indicator Light Emitting Diodes (LED) to inform the user about the radio status. To control the LED's and to communicate with the host radio the controlhead uses the Motorola 68HC11E9 microprocessor.

2.1 Power Supplies

The power supply to the controlhead is taken from the host radio's FLT A+ voltage via connector J0801 pin 3 and the regulated +5V via connector J0801 pin 7. The voltage FLT A+ is at supply voltage level and is used for the LED's, the back light and to power up the radio via on / off / volume knob. The stabilized +5 volt is used for the microprocessor and the keypad buttons. The voltage USW 5V derived from the FLT A+ voltage and stabilized by the series combination of R0822, VR0822 is used to buffer the internal RAM of the microprocessor (U0831). C0822 allows the supply voltage level to be disconnected for a couple of seconds without losing RAM parameters. Dual diode D0822 prevents radio circuitry from discharging this capacitor. When the supply voltage is applied to the radio, C0822 is charged via R0822 and D0822. To avoid, that the μP enters the wrong mode when the radio is switched on while the voltage across C0822 is still too low, the regulated 5V charge C0822 via diode D0822.

2.2 Power On / Off

The On/Off/Volume knob when pressed switches the radio's voltage regulators on by connecting line ON OFF CONTROL to line UNSW 5V via D0821. Additionally, 5 volts at the base of digital transistor Q0822 informs the controlhead's microprocessor about the pressed knob. The microprocessor asserts pin 62 and line CH REQUEST low to hold line ON OFF CONTROL at 5 volts via Q0823 and D0821. The high line ON OFF CONTROL also informs the host radio, that the controlhead's microprocessor wants to send data via SBEP bus. When the radio returns a data request message, the microprocessor will inform the radio about the pressed knob. If the radio was switched off, the radio's μP will switch it on and vice versa. If the On/Off/Volume knob is pressed while the radio is on, the software detects a low state on line ON OFF SENSE, the radio is alerted via line ON OFF CONTROL and sends a data request message. The controlhead μP will inform the radio about the pressed knob and the radio's μP will switch the radio off.

2.3 Microprocessor Circuit

The controlhead uses the Motorola 68HC11E9 microprocessor (μ P) (U0831) to control the LED's and to communicate with the host radio. RAM and ROM are contained within the microprocessor itself.

The microprocessor generates its clock using the oscillator inside the microprocessor along with a 8 MHz ceramic resonator (U0833) and R0920.

The microprocessor's RAM is always powered to maintain parameters such as the last operating mode. This is achieved by maintaining 5V at μ P pin 25. Under normal conditions, when the radio is off, USW 5V is formed by FLT A+ running to D0822. C0822 allows the battery voltage to be disconnected for a couple of seconds without losing RAM parameters. Diode D0822 prevents radio circuitry from discharging this capacitor.

There are 8 analogue to digital converter ports (A/D) on the μ P . They are labeled within the device block as PE0-PE7. These lines sense the voltage level ranging from 0 to 5V of the input line and convert that level to a number ranging from 0 to 255 which can be read by the software to take appropriate action.

Pin VRH is the high reference voltage for the A/D ports on the μ P . If this voltage is lower than +5V the A/D readings will be incorrect. Likewise pin VRL is the low reference for the A/D ports. This line is normally tied to ground. If this line is not connected to ground, the A/D readings will be incorrect.

The microprocessor can determine the used keypad type and the controlhead ID by reading the levels at ports PC0 – PC7. Connections JU0852/3/4 are provided by the individual keypads.

The MODB / MODA input of the μ P must be at a logic „1" for it to start executing correctly. The XIRQ and the IRQ pins should also be at a logic „1".

Voltage sense device U0832 provides a reset output that goes to 0 volts if the regulated 5 volts goes below 4.5 volts. This is used to reset the controller to prevent improper operation.

2.4 SBEP Serial Interface

The host radio (master) communicates to the controlhead μ P (slave) through its SBEP bus. This bus uses only line BUS+ for data transfer. The line is bi-directional meaning that either the radio or the controlhead μ P can drive the line. The microprocessor sends serial data via pin 50 and D0831 and it reads serial data via pin 47. Whenever the microprocessor detects activity on the BUS+ line, it starts communication.

When the host radio needs to communicate to the controlhead μ P , it sends data via line BUS+. Any transition on this line generates an interrupt and the μ P starts communication. The host radio may send data like LED and back light status or it may request the controlhead ID or the keypad ID.

When the controlhead μ P wants to communicate to the host radio, the μ P brings request line CH REQUEST to a logic „0" via μ P pin 62. This switches on Q0823, which pulls line ON OFF CONTROL high through diode D0821. A low to high transition on this line informs the radio, that the controlhead requires service. The host radio then sends a data request message via BUS+ and the controlhead μ P replies with the data it wanted to send. This data can be information like which key has been pressed or that the volume knob has been rotated.

The controlhead μ P monitors all messages sent via BUS+, but ignores any data communication between host radio and CPS or Universal Tuner.

2.5 Keypad Keys

The controlhead keypad is a 6-key keypad. All keys are configured as 2 analogue lines read by μP pins 13 and 15. The voltage on the analogue lines varies between 0 volts and +5 volts depending on which key has been pressed. If no key is pressed, the voltage at both lines will be 5 volts. The key configuration can be thought of as a matrix, where the two lines represent one row and one column. Each line is connected to a resistive divider powered by +5 volts. If a button is pressed, it will connect one specific resistor of each divider line to ground level and thereby reduce the voltages on the analogue lines. The voltages of the lines are A/D converted inside the μP (ports PE 0 - 1) and specify the pressed button. To determine which key is pressed, the voltage of both lines must be considered. An additional pair of analogue lines and A/D μP ports (PE 3 - 2) is available to support a keypad microphone, connected to the microphone connector J0811. Any microphone key press is processed the same way as a key press on the controlhead.

2.6 Status LED and Back Light Circuit

All indicator LED's (red, yellow, green) are driven by current sources. To change the LED status the host radio sends a data message via SBEP bus to the controlhead μP . The controlhead μP determines the LED status from the received message and switches the LED's on or off via port PB 7 - 0 and port PA4. The LED status is stored in the μP 's memory. The LED current is determined by the resistor at the emitter of the respective current source transistor.

The back light for the keypad is controlled by the host radio the same way as the indicator LED's using μP port PA 5. The μP can switch the back light on and off under software control. The keypad back light current is drawn from the FLT A+ source and controlled by 2 current sources. The LED current is determined by the resistor at the emitter of the respective current source transistor.

2.7 Microphone Connector Signals

Signals BUS+, PTT IRDEC, HOOK, MIC, HANDSET AUDIO, FLT A+, +5V and 2 A/D converter inputs are available at the microphone connector J0811. Signal BUS+ (J0811-7) connects to the SBEP bus for communication with the CPS or the Universal Tuner. Line MIC (J0811-5) feeds the audio from the microphone to the radio's controller via connector J0801-4. Line HANDSET AUDIO (J0811-8) feeds the receiver audio from the controller (J0801-6) to a connected handset. FLT A+, which is at supply voltage level, and +5V are used to supply any connected accessory like a microphone or a handset.

The 2 A/D converter inputs (J0811-9/10) are used for a microphone with keypad. A pressed key will change the dc voltage on both lines. The voltages depend on which key is pressed. The μP determines from the voltage on these lines which key is pressed and sends the information to the host radio.

Line PTT IRDEC (J0811-6) is used to key up the radio's transmitter. While the PTT button on a connected microphone is released, line PTT IRDEC is pulled to +5 volts level by R0843. Transistor Q0843 is switched on and causes a low at μP port PA2. When the PTT button is pressed, signal PTT IRDEC is pulled to ground level. This switches off Q0843 and the resulting high level at μP port PA2 informs the μP about the pressed PTT button. The μP will inform the host radio about any status change on the PTT IRDEC line via SBEP bus.

When line PTT IRDEC is connected to FLT A+ level, transistor Q0821 is switched on through diode VR0821 and thereby pulls the level on line ON OFF CONTROL to FLT A+ level. This switches on the radio and puts the radio's μP in bootstrap mode. Bootstrap mode is used to load the firmware into the radio's flash memory (See controller subsection for more details).

The HOOK input (J0811-3) is used to inform the μP when the microphone's hang-up switch is engaged. Dependent on the CPS programming the μP may take actions like turning the audio PA on or off. While the hang up switch is open, line HOOK is pulled to +5 volts level by R0841. Transistor Q0841 is switched on and causes a low at μP port PA1. When the HOOK switch is closed, signal HOOK is pulled to ground level. This switches off R0841 and the resulting high level at μP port PA1 informs the μP about the closed hang up switch. The μP will inform the host radio about any status change on the HOOK line via SBEP bus.

2.8 Speaker

The controlhead contains a speaker for the receiver audio. The receiver audio signal from the differential audio output of the audio amplifier located on the radio's controller is fed via connector J0801-10, 11 to the speaker connector P0801 pin 1 and pin 2. The speaker is connected to the speaker connector P0801. The controlhead speaker can be disconnected if an external speaker, connected on the accessory connector, is used.

2.9 Electrostatic Transient Protection

Electrostatic transient protection is provided for the sensitive components in the controlhead by diodes VR0811 VR0812 VR0816 - VR0817. The diodes limit any transient voltages to tolerable levels. The associated capacitors provide Radio Frequency Interference (RFI) protection.

3.0 Controlhead Model for GM338

The controlhead contains the internal speaker, the On/Off/Volume knob, the microphone connector, several buttons to operate the radio, several indicator Light Emitting Diodes (LED) to inform the user about the radio status, and a 14 character Liquid Crystal Display (LCD) for alpha - numerical information e.g. channel number or call address name. To control the LEDs and the LCD, and to communicate with the host radio the controlhead uses the Motorola 68HC11E9 microprocessor.

3.1 Power Supplies

The power supply to the controlhead is taken from the host radio's FLT A+ voltage via connector J0801 pin 3 and the regulated +5V via connector J0801 pin 7. The voltage FLT A+ is at battery level and is used for the LEDs, the back light and to power up the radio via On /Off /Volume knob. The stabilized +5 volt is used for the microprocessor, the display, the display driver and the keypad buttons. The voltage USW 5V derived from the FLT A+ voltage and stabilized by the series combination of R0822, VR0822 is used to buffer the internal RAM of the microprocessor (U0831). C0822 allows the battery voltage to be disconnected for a couple of seconds without losing RAM parameters. Dual diode D0822 prevents radio circuitry from discharging this capacitor. When the supply voltage is applied to the radio, C0822 is charged via R0822 and D0822. To avoid that the μP enters the wrong mode when the radio is switched on while the voltage across C0822 is still too low, the regulated 5V charge C0822 via diode D0822.

3.2 Power On / Off

The On/Off/Volume knob when pressed switches the radio's voltage regulators on by connecting line ON OFF CONTROL to line UNSW 5V via D0821. Additionally, 5 volts at the base of digital transistor Q0822 informs the controlhead's microprocessor about the pressed knob. The microprocessor asserts pin 62 and line CH REQUEST low to hold line ON OFF CONTROL at 5 volts via Q0823 and D0821. The high line ON OFF CONTROL also informs the host radio, that the

controlhead's microprocessor wants to send data via SBEP bus. When the radio returns a data request message, the microprocessor will inform the radio about the pressed knob. If the radio was switched off, the radio's μP will switch it on and vice versa. If the On/Off/Volume knob is pressed while the radio is on, the software detects a low state on line ON OFF SENSE, the radio is alerted via line ON OFF CONTROL and sends a data request message. The controlhead μP will inform the radio about the pressed knob and the radio's μP will switch the radio off.

3.3 Microprocessor Circuit

The controlhead uses the Motorola 68HC11E9 microprocessor (μP) (U0831) to control the LEDs and the LCD and to communicate with the host radio. RAM and ROM are contained within the microprocessor itself.

The microprocessor generates its clock using the oscillator inside the microprocessor along with a 8 MHz ceramic resonator (U0833) and R0920 .

The microprocessor's RAM is always powered to maintain parameters such as the last operating mode. This is achieved by maintaining 5V at μP pin 25 . Under normal conditions, when the radio is off, USW 5V is formed by FLT A+ running to D0822. C0822 allows the battery voltage to be disconnected for a couple of seconds without losing RAM parameters. Diode D0822 prevents radio circuitry from discharging this capacitor.

There are 8 analogue to digital converter ports (A/D) on the μP . They are labeled within the device block as PE0-PE7. These lines sense the voltage level ranging from 0 to 5V of the input line and convert that level to a number ranging from 0 to 255 which can be read by the software to take appropriate action.

Pin VRH is the high reference voltage for the A/D ports on the μP . If this voltage is lower than +5V the A/D readings will be incorrect. Likewise pin VRL is the low reference for the A/D ports. This line is normally tied to ground. If this line is not connected to ground, the A/D readings will be incorrect.

The microprocessor can determine the used keypad type and the controlhead ID by reading the levels at ports PC0 – PC7. Connections JU0852/3/4 are provided by the individual keypads.

The MODB / MODA input of the μP must be at a logic "1" for it to start executing correctly. The XIRQ and the IRQ pins should also be at a logic "1".

Voltage sense device U0832 provides a reset output that goes to 0 volts if the regulated 5 volts goes below 4.5 volts. This is used to reset the controller to prevent improper operation.

3.4 SBEP Serial Interface

The host radio (master) communicates to the controlhead μP (slave) through its SBEP bus. This bus uses only line BUS+ for data transfer. The line is bi-directional, meaning that either the radio or the controlhead μP can drive the line. The microprocessor sends serial data via pin 50 and D0831 and it reads serial data via pin 47. Whenever the microprocessor detects activity on the BUS+ line, it starts communication.

When the host radio needs to communicate to the controlhead μP , it sends data via line BUS+. Any transition on this line generates an interrupt and the μP starts communication. The host radio may send data like display information, LED and back light status or it may request the controlhead ID or the keypad ID.

When the controlhead μP wants to communicate to the host radio, the μP brings request line CH REQUEST to a logic "0" via μP pin 62. This switches on Q0823, which pulls line ON OFF CONTROL high through diode D0821. A low to high transition on this line informs the radio, that the controlhead requires service. The host radio then sends a data request message via BUS+ and the controlhead μP replies with the data it wanted to send. This data can be information like which key has been pressed or that the volume knob has been rotated.

The controlhead μP monitors all messages sent via BUS+, but ignores any data communication between host radio and CPS or Universal Tuner.

3.5 Keypad Keys

The controlhead keypad is a 6-key keypad (Model B) or a 10-key keypad (model C). All keys are configured as 2 analogue lines read by μP pins 13 and 15. The voltage on the analogue lines varies between 0 volts and +5 volts depending on which key has been pressed. If no key is pressed, the voltage at both lines will be 5 volts. The key configuration can be thought of as a matrix, where the two lines represent one row and one column. Each line is connected to a resistive divider powered by +5 volts. If a button is pressed, it will connect one specific resistor of each divider line to ground level and thereby reduce the voltages on the analogue lines. The voltages of the lines are A/D converted inside the μP (ports PE 0 - 1) and specify the pressed button. To determine which key is pressed, the voltage of both lines must be considered.

An additional pair of analogue lines and A/D μP ports (PE 3 - 2) is available to support a keypad microphone, connected to the microphone connector J0811. Any microphone key press is processed the same way as a key press on the controlhead.

3.6 Status LED and Back Light Circuit

All the indicator LEDs (red, yellow, green) are driven by current sources. To change the LED status the host radio sends a data message via SBEP bus to the controlhead μP . The controlhead μP determines the LED status from the received message and switches the LEDs on or off via port PB 7 - 0 and port PA4. The LED status is stored in the μP 's memory. The LED current is determined by the resistor at the emitter of the respective current source transistor.

The back light for the LCD and the keypad is controlled by the host radio the same way as the indicator LEDs using μP port PA 5. This port is a Pulse Width Modulator (PWM) output. The output signal charges capacitor C0843 through R0847. By changing the pulse width under software control, the dc voltage of C0843 and thereby, the brightness of the back light can be changed in four steps. The keypad back light current is drawn from the FLT A+ source and controlled by transistor Q0933. The current flowing through the LEDs cause a proportional voltage drop across the parallel resistors R0947, R0948. This voltage drop is amplified by the op-amp U0931-2. U0931-2 and Q0934 form a differential amplifier. The voltage difference between the base of Q0934 and the output of U0931-2 determines the current from the base of the LED control transistor Q0933 and in turn the brightness of the LEDs. The μP can control the LEDs by changing the dc level at the base of Q0934. If the base of Q0934 is at ground level, Q0934 is switched off and no current flows through Q0933 and the LEDs. If the base voltage of Q0934 rises a current flows through Q0934 and in turn through Q0933 causing the LEDs to turn on and a rising voltage drop across R0947, R0948. The rising voltage causes the output of the op-amp to rise and to reduce the base to emitter voltage of Q0934. This decreases the current of Q0933 until the loop has settled.

3.7 Liquid Crystal Display (LCD)

The LCD H0971 uses the display driver U0971. The display is a single layer super twist nematic (STN) LCD display. It has 14 characters with a 5*8 dot matrix for displaying alpha - numerical information and a line with 21 pre - defined icons above the dot matrix

The driver contains a data interface to the μ P, an LCD segment driver, an LCD power circuit, an oscillator, data RAM and control logic. At power up the driver's control logic is reset by a logic "0" at input SR2 (U0971-15). The driver's internal oscillator is set to about 20 kHz and can be measured at pin 22. The driver's μ P interface is configured to accept 8 bit parallel data input (U0971-D0-D7) from the controlhead μ P (U0831 port PC0-PC7).

To write data to the driver's RAM the μ P sets chip select (U0971-20) to logic "0" via U0831-11, RD (U0971-18) to logic "1" via (U0831-10) and WR (U0971-17) to logic "0" via U0831-9. With input A0 (U0971-21) set to logic "0" via U0831-12 the μ P writes control data to the driver. Control data includes the RAM start address for the following display data. With input A0 set to logic "1" the μ P then writes the display data to the display RAM. When data transfer is complete the μ P terminates the chip select, RD and WD activities.

The display driver's power circuit provides the voltage supply for the display. This circuit consists of a voltage multiplier, voltage regulator and a voltage follower. The external capacitors C0971 - C0973 configure the multiplier to double the supply voltage. In this configuration the multiplier output VOUT (U0971-8) supplies a voltage of -5V (2* -5V below VDD). The multiplied voltage VOUT is sent to the internal voltage regulator. To set the voltage level of the regulator output V5 (U0971-5) this voltage is divided by the resistors R0973 and R0974 and fed back to the reference input VR (U0971-6). In addition the regulator output voltage V5 can be controlled electronically by a control command sent to the driver. With the used configuration the voltage V5 is about -2V. The voltage V5 is resistively divided by the driver's voltage follower to provide the voltages V1 - V4. These voltages are needed for driving the liquid crystals. The level of V5 can be measured by one of the μ P's analogue to digital converters (U0831-20) via resistive divider R0975, R0976. To stabilize the display brightness over a large temperature range the μ P measures the temperature via analogue to digital converter (U0831-18) using temperature sensor U0834. Dependent on the measured temperature the μ P adjusts the driver output voltage V5, and in turn the display brightness, via parallel interface.

3.8 Microphone Connector Signals

Signals BUS+, PTT IRDEC, HOOK, MIC, HANDSET AUDIO, FLT A+, +5V and 2 A/D converter inputs are available at the microphone connector J0811. Signal BUS+ (J0811-7) connects to the SBEP bus for communication with the CPS or the Universal Tuner. Line MIC (J0811-5) feeds the audio from the microphone to the radio's controller via connector J0801-4. Line HANDSET AUDIO (J0811-8) feeds the receiver audio from the controller (J0801-6) to a connected handset. FLT A+, which is at supply voltage level, and +5V are used to supply any connected accessory like a microphone or a handset.

The 2 A/D converter inputs (J0811-9/10) are used for a microphone with keypad. A pressed key will change the dc voltage on both lines. The voltages depend on which key is pressed. The μ P determines from the voltage on these lines which key is pressed and sends the information to the host radio.

Line PTT IRDEC (J0811-6) is used to key up the radio's transmitter. While the PTT button on a connected microphone is released, line PTT IRDEC is pulled to +5 volts level by R0843. Transistor Q0843 is switched on and causes a low at μ P port PA2. When the PTT button is pressed, signal PTT IRDEC is pulled to ground level. This switches off Q0843 and the resulting high level at μ P port PA2 informs the μ P about the pressed PTT button. The μ P will inform the host radio about any status change on the PTT IRDEC line via SBEP bus.

When line PTT IRDEC is connected to FLT A+ level, transistor Q0821 is switched on through diode VR0821 and thereby pulls the level on line ON OFF CONTROL to FLT A+ level. This switches on the radio and puts the radio's μ P in bootstrap mode. Bootstrap mode is used to load the firmware into the radio's flash memory (See controller sub section for more details).

The HOOK input (J0811-3) is used to inform the μ P when the microphone's hang-up switch is engaged. Dependent on the CPS programming the μ P may take actions like turning the audio PA on or off. While the hang up switch is open, line HOOK is pulled to +5 volts level by R0841. Transistor Q0841 is switched on and causes a low at μ P port PA1. When the HOOK switch is closed, signal HOOK is pulled to ground level. This switches off R0841 and the resulting high level at μ P port PA1 informs the μ P about the closed hang up switch. The μ P will inform the host radio about any status change on the HOOK line via SBEP bus.

3.9 Speaker

The controlhead contains a speaker for the receiver audio. The receiver audio signal from the differential audio output of the audio amplifier located on the radio's controller is fed via connector J0801-10, 11 to the speaker connector P0801 pin 1 and pin 2. The speaker is connected to the speaker connector P0801. The controlhead speaker can be disconnected if an external speaker, connected on the accessory connector, is used.

3.10 Electrostatic Transient Protection

Electrostatic transient protection is provided for the sensitive components in the controlhead by diodes VR0811 VR0812 VR0816 - VR0817. The diodes limit any transient voltages to tolerable levels. The associated capacitors provide Radio Frequency Interference (RFI) protection.

4.0 Controlhead Model for GM398

The controlhead contains the On/Off/Volume knob, the microphone connector, several buttons to operate the radio, several indicator Light Emitting Diodes (LED) to inform the user about the radio status, and a Liquid Crystal Display (LCD) with 21 pre - defined symbols and a 32*96 dot matrix for graphical or alpha - numerical information e.g. channel number, select code, call address name. To control the LEDs and the LCD, and to communicate with the host radio the controlhead uses the Motorola 68HC11K4 microprocessor.

4.1 Power Supplies

The power supply to the controlhead is taken from the host radio's FLT A+ voltage via connector J0801 pin 3. The voltage FLT A+ is at battery level and is used for the LEDs, the back light, to power up the radio via On/Off/Volume knob and to supply the voltage regulator circuitry. The regulator circuitry provides the stabilized +5 volts which is used for the microprocessor circuitry, the display, the display driver and the keypad buttons. The regulated +5V taken from the host radio via connector J0801 pin 7 (line 5V SOURCE) is only used to switch on or off the voltage regulator in the control-head.

4.2 Voltage Regulator Circuit

Voltage regulator U0861 provides 5V for the controlhead. The supply voltage FLT A+ for the voltage regulator is fed via parallel resistors R0861/2 and dual diode D0861 to pin 8 of U0861. The +5 volt output is switched on and off by the host radio's 5 volt source via line 5V SOURCE and control transistor Q0866. When the host radio is switched off the voltage on line +5V SOURCE is at ground level and switches off transistor Q0866. Pull up resistor R0863 pulls input SHUTDOWN (pin 3) of the voltage regulator U0861 to FLT A+ level and switches off the output of U0861 (pin 1). When the host radio is switched on the voltage on line 5V SOURCE of about +5 volts switches on transistor Q0866 which in turn pulls input SHUTDOWN (pin 3) to ground and switches on the output of U0861. Input and output capacitors (C0861 / C0862 and C0864 / C0865) are used to reduce high frequency noise and provide proper operation during battery transients. Diode D0861 prevents discharge of C0862 by negative spikes on the FLT A+ voltage. This regulator provides a reset output (pin 5) that goes to 0 volts if the regulator output goes out of regulation. This is used to reset the microprocessor (U0871) and the display driver (J0821-5) to prevent improper operation.

The voltage USW 5V derived from voltage FLT A+ is stabilized using resistor R0855 and diode VR0855. This voltage is used to buffer the microprocessor's internal RAM. C0856 allows the battery voltage to be disconnected for a couple of seconds without losing RAM parameters. Diode D0855 prevents radio circuitry from discharging this capacitor. The +5V at the second anode of D0855 speeds up charging of C0856, when the host radio is turned on by a high level at the ignition input while the supply voltage is applied to the radio. This prevents the microprocessor from accidentally entering bootstrap mode.

4.3 Power On / Off

The On/Off/Volume knob when pressed switches the radio's and the controlhead's voltage regulators on by connecting line ON OFF CONTROL to line UNSW 5V via D0852. Additionally, 5 volts at the base of digital transistor Q0853 informs the controlhead's microprocessor about the pressed knob. The microprocessor asserts pin 8 and line CH REQUEST low to hold line ON OFF CONTROL at 5 volts via Q0852 and D0852. The high line ON OFF CONTROL also informs the host radio, that the controlhead's microprocessor wants to send data via SBEP bus. When the radio returns a data request message, the microprocessor will inform the radio about the pressed knob.

If the radio was switched off, the radio's μP will switch it on and vice versa. If the On/Off/Volume knob is pressed while the radio is on, the software detects a low state on line ON OFF SENSE, the radio is alerted via line ON OFF CONTROL and sends a data request message. The controlhead μP will inform the radio about the pressed knob and the radio's μP will switch the radio off. If the radio is switched on either manually or automatically it's +5V source switches on the controlhead's voltage regulator U0861 via line 5 SOURCE and transistor Q0866 and the controlhead's microprocessor starts execution.

4.4 Microprocessor Circuit

The controlhead uses the Motorola 68HC11K4 microprocessor (μP) (U0871) to control the LEDs and the LCD and to communicate with the host radio. RAM and ROM are contained within the microprocessor itself.

The microprocessor generates its clock using the oscillator inside the microprocessor along with a 8 MHz ceramic resonator (U0873) and R0873.

The microprocessor's RAM is always powered to maintain parameters such as the last operating mode. This is achieved by maintaining 5V at μP pin 76. Under normal conditions, when the radio is off, USW 5V is formed by FLT A+ running to D0855. C0856 allows the battery voltage to be disconnected for a couple of seconds without losing RAM parameters. Diode D0855 prevents radio circuitry from discharging this capacitor.

There are 8 analogue to digital converter ports (A/D) on the μP . They are labeled within the device block as PE0-PE7. These lines sense the voltage level ranging from 0 to 5V of the input line and convert that level to a number ranging from 0 to 255 which can be read by the software to take appropriate action.

Pin VRH is the high reference voltage for the A/D ports on the μP . If this voltage is lower than +5V the A/D readings will be incorrect. Likewise pin VRL is the low reference for the A/D ports. This line is normally tied to ground. If this line is not connected to ground, the A/D readings will be incorrect.

The microprocessor can determine the used keypad type by reading the level at port PE5. Connections S0931 – S0935 are provided by the individual keypads.

The MODB / MODA input of the μP must be at a logic "1" for it to start executing correctly. The XIRQ and the IRQ pins should also be at a logic "1".

4.5 SBEP Serial Interface

The host radio (master) communicates to the controlhead μP (slave) through its SBEP bus. This bus uses only line BUS+ for data transfer. The line is bi-directional, meaning that either the radio or the controlhead μP can drive the line. The microprocessor sends serial data via pin 79 and D0872 and it reads serial data via pin 78. Whenever the microprocessor detects activity on the BUS+ line, it starts communication.

When the host radio needs to communicate to the controlhead μP , it sends data via line BUS+. Any transition on this line generates an interrupt and the μP starts communication. The host radio may send data like display information, LED and back light status or it may request the controlhead ID or the keypad ID.

When the controlhead μ P wants to communicate to the host radio, the μ P brings request line CH REQUEST to a logic "0" via μ P pin 8. This switches on Q0852, which pulls line ON OFF CONTROL high through diode D0852. A low to high transition on this line informs the radio, that the controlhead requires service. The host radio then sends a data request message via BUS+ and the controlhead μ P replies with the data it wanted to send. This data can be information like which key has been pressed or that the volume knob has been rotated.

The controlhead μ P monitors all messages sent via BUS+, but ignores any data communication between host radio and CPS or Universal Tuner.

4.6 Keypad Keys

The controlhead keypad is a 25 - key keypad. All keys are configured as 2 analogue lines read by μ P pins 49 and 48. The voltage on the analogue lines varies between 0 volts and +5 volts depending on which key has been pressed. If no key is pressed, the voltage at both lines will be 5 volts. The key configuration can be thought of as a matrix, where the two lines represent one row and one column. Each line is connected to a resistive divider powered by +5 volts. If a button is pressed, it will connect one specific resistor of each divider line to ground level and thereby reduce the voltages on the analogue lines. The voltages of the lines are A/D converted inside the μ P (ports PE 0 - 1) and specify the pressed button. To determine which key is pressed, the voltage of both lines must be considered.

An additional pair of analogue lines and A/D μ P ports (PE 3 – 2) is available to support a keypad microphone, connected to the microphone connector J0811. Any microphone key press is processed the same way as a key press on the controlhead.

4.7 Status LED and Back Light Circuit

All the indicator LEDs (red, yellow, green) are driven by current sources. To change the LED status the host radio sends a data message via SBEP bus to the controlhead μ P. The controlhead μ P determines the LED status from the received message and switches the LEDs on or off via port PA 6 - 4. The LED status is stored in the μ P's memory. The LED current is determined by the resistor at the emitter of the respective current source transistor.

The back light for keypad is controlled by the host radio the same way as the indicator LEDs using μ P port PH 3. This port is a Pulse Width Modulator (PWM) output. The output signal charges capacitor C0943 through R0945. By changing the pulse width under software control, the dc voltage of C0943 and thereby, the brightness of the back light can be changed in 16 steps. The keypad back light current is drawn from the FLT A+ source and controlled by transistor Q0941. The current flowing through the LEDs cause a proportional voltage drop across the parallel resistors R0955, R0957. This voltage drop is amplified by the op-amp U0941-1. U0941-1 and Q0943 form a differential amplifier. The voltage difference between the base of Q0943 and the output of U0941-1 determines the current from the base of the LED control transistor Q0941 and in turn the brightness of the LEDs. The μ P can control the LEDs by changing the dc level at the base of Q0943. If the base of Q0943 is at ground level, Q0943 is switched off and no current flows through Q0941 and the LEDs. If the base voltage of Q0943 rises a current flows through Q0943 and in turn through Q0941 causing the LEDs to turn on and a rising voltage drop across R0955, R0957. The rising voltage causes the output of the op-amp to rise and to reduce the base to emitter voltage of Q0943. This decreases the current of Q0941 until the loop has settled.

The back light for the LCD module uses a similar circuitry. The only differences are that μ P port PH2 controls the back light brightness and that the LEDs are located on the LCD module which is connected via J0821. Control line BL A GREEN connects to the anodes and control line BL K GREEN connects to the cathodes of the LEDs.

4.8 Liquid Crystal Display (LCD)

The LCD module consists of the display and the display driver and is connected via connector J0821. The display is a single layer super twist nematic (STN) LCD display. It has a dot matrix of 32 * 96 dots for displaying graphics and alpha - numerical information and a line with 21 pre - defined icons above the dot matrix

The driver contains a data interface to the μ P, an LCD segment driver, an LCD power circuit, an oscillator, data RAM and control logic. At power up the driver's control logic is reset by a logic "0" via pin 5 of J0821. The driver's μ P interface is configured to accept 8 bit parallel data input (J0821-D0-D7) from the controlhead μ P (U0871 port PC0-PC7).

To write data to the driver's RAM the μ P sets chip select (J0821-6) to logic "0" via U0871-26, RD (J0821-10) to logic "1" via (U0871-40) and WR (U0821-9) to logic "0" via U0871-33. With input A0 (J0821-8) set to logic "0" via U0871-34 the μ P writes control data to the driver. Control data includes the RAM start address for the following display data. With input A0 set to logic "1" the μ P then writes the display data to the display RAM. When data transfer is complete the μ P terminates the chip select and the clock activities.

The display driver's power circuit provides the voltage supply for the display. This circuit consists of a voltage multiplier, voltage regulator and a voltage follower. The regulator output voltage for the display can be controlled electronically by a control command sent to the driver. The voltage level can be measured by one of the μ P's analogue to digital converters (U0871-42) via J0821-21. To stabilize the display brightness over a large temperature range the μ P measures the temperature via analogue to digital converter (U0871-43) using a temperature sensor on the module (J0821-4). Dependent on the measured temperature the μ P adjusts the driver output voltage, and in turn the display brightness, via parallel interface.

4.9 Microphone Connector Signals

Signals BUS+, PTT IRDEC, HOOK, MIC, HANDSET AUDIO, FLT A+, +5V and 2 A/D converter inputs are available at the microphone connector J0811. Signal BUS+ (J0811-7) connects to the SBEP bus for communication with the CPS or the Universal Tuner. Line MIC (J0811-5) feeds the audio from the microphone to the radio's controller via connector J0801-4. Line HANDSET AUDIO (J0811-8) feeds the receiver audio from the controller (J0801-6) to a connected handset. FLT A+, which is at supply voltage level, and +5V are used to supply any connected accessory like a microphone or a handset.

The 2 A/D converter inputs (J0811-9/10) are used for a microphone with keypad. A pressed key will change the dc voltage on both lines. The voltages depend on which key is pressed. The μ P determines from the voltage on these lines which key is pressed and sends the information to the host radio.

Line PTT IRDEC (J0811-6) is used to key up the radio's transmitter. While the PTT button on a connected microphone is released, line PTT IRDEC is pulled to +5 volts level by R0880. Transistor Q0871 is switched on and causes a low at μ P port PA2. When the PTT button is pressed, signal PTT IRDEC is pulled to ground level. This switches off Q0871 and the resulting high level at μ P port PA2 informs the μ P about the pressed PTT button. The μ P will inform the host radio about any status change on the PTT IRDEC line via SBEP bus.

When line PTT IRDEC is connected to FLT A+ level, transistor Q0851 is switched on through diode VR0851 and thereby pulls the level on line ON OFF CONTROL to FLT A+ level. This switches on the radio and puts the radio's μ P in bootstrap mode. Bootstrap mode is used to load the firmware into the radio's flash memory (See controller sub section for more details).

The HOOK input (J0811-3) is used to inform the μ P when the microphone's hang-up switch is engaged. Dependent on the CPS programming the μ P may take actions like turning the audio PA on or off. While the hang up switch is open, line HOOK is pulled to +5 volts level by R0883. Transistor Q0872 is switched on and causes a low at μ P port PA1. When the HOOK switch is closed, signal HOOK is pulled to ground level. This switches off R0883 and the resulting high level at μ P port PA1 informs the μ P about the closed hang up switch. The μ P will inform the host radio about any status change on the HOOK line via SBEP bus.

4.10 Speaker (Remote Mount Configuration only)

The remote mount controlhead contains a speaker for the receiver audio. The receiver audio signal from the differential audio output of the audio amplifier located on the radio's controller is fed via connector J0801-10,11 to the speaker connector P0801 pin 1 and pin 2. The speaker is connected to the speaker connector P0801. The controlhead speaker can be disconnected if only an external speaker, connected on the accessory connector, should be used. If the controlhead is mounted directly on the radio, an external speaker is required.

4.11 Electrostatic Transient Protection

Electrostatic transient protection is provided for the sensitive components in the controlhead by diodes VR0811 - VR0814. The diodes limit any transient voltages to tolerable levels. The associated capacitors provide Radio Frequency Interference (RFI) protection.

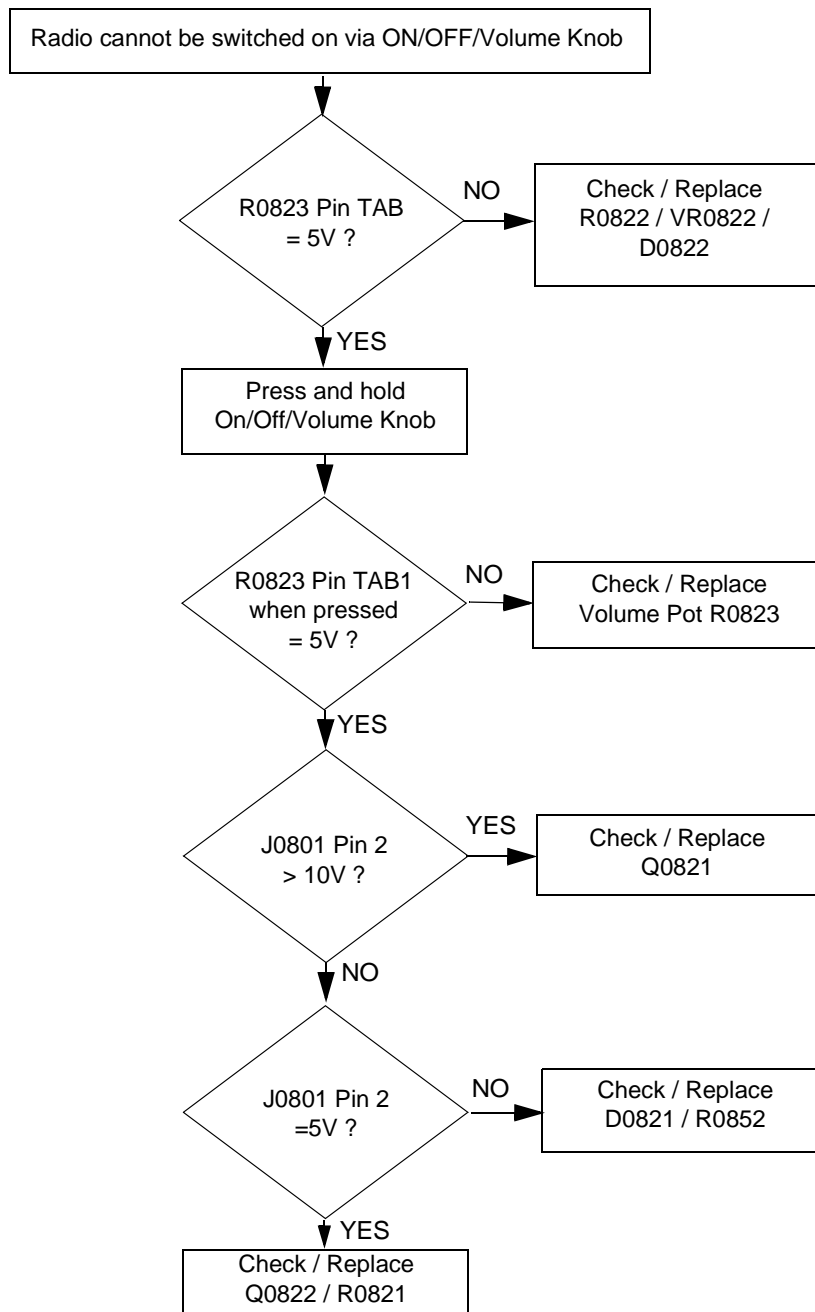
THIS PAGE INTENTIONALLY LEFT BLANK

Section 3

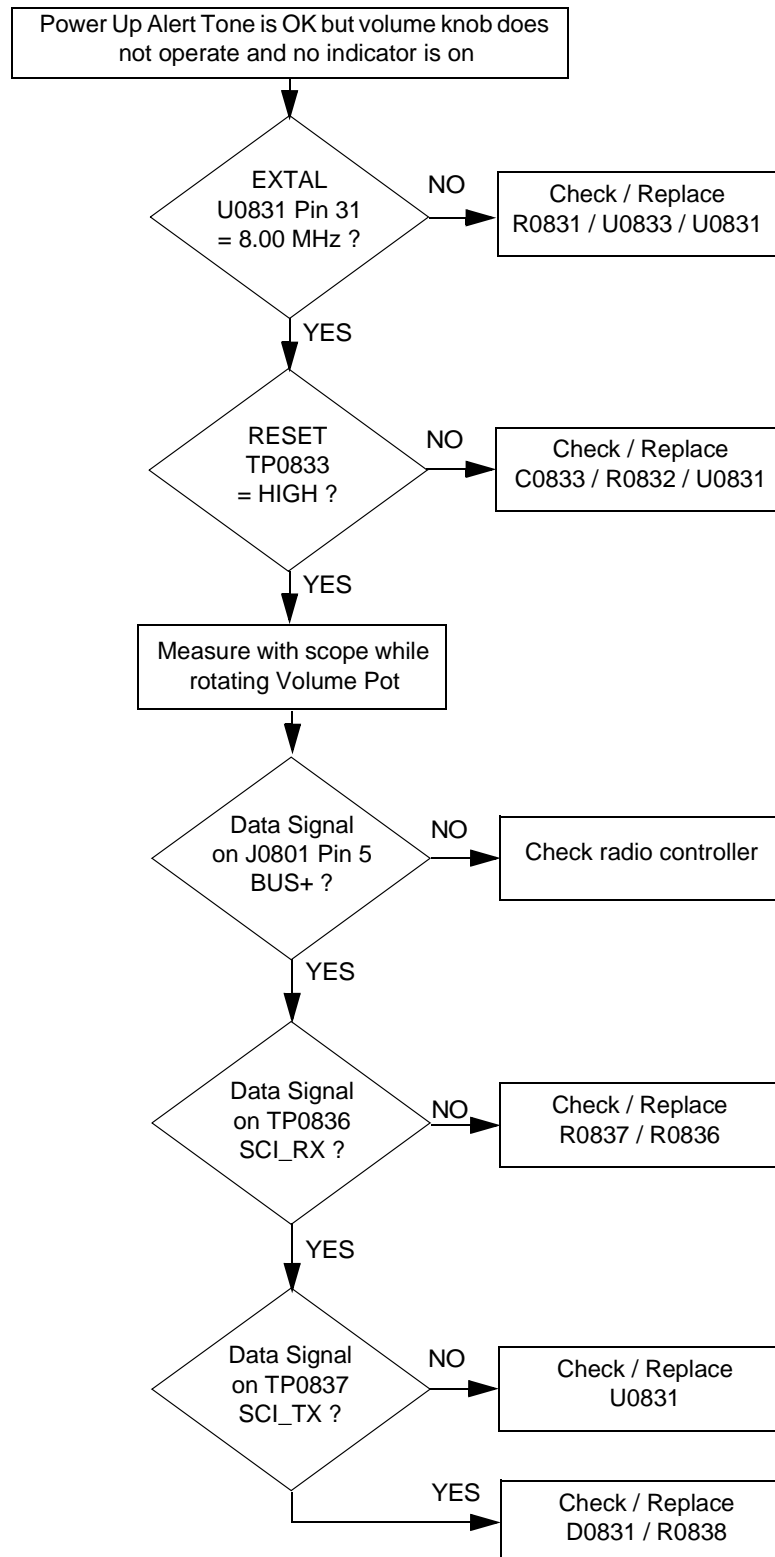
TROUBLESHOOTING CHARTS

1.0 Controlhead GM328 Troubleshooting Flow Chart

1.1 On/Off

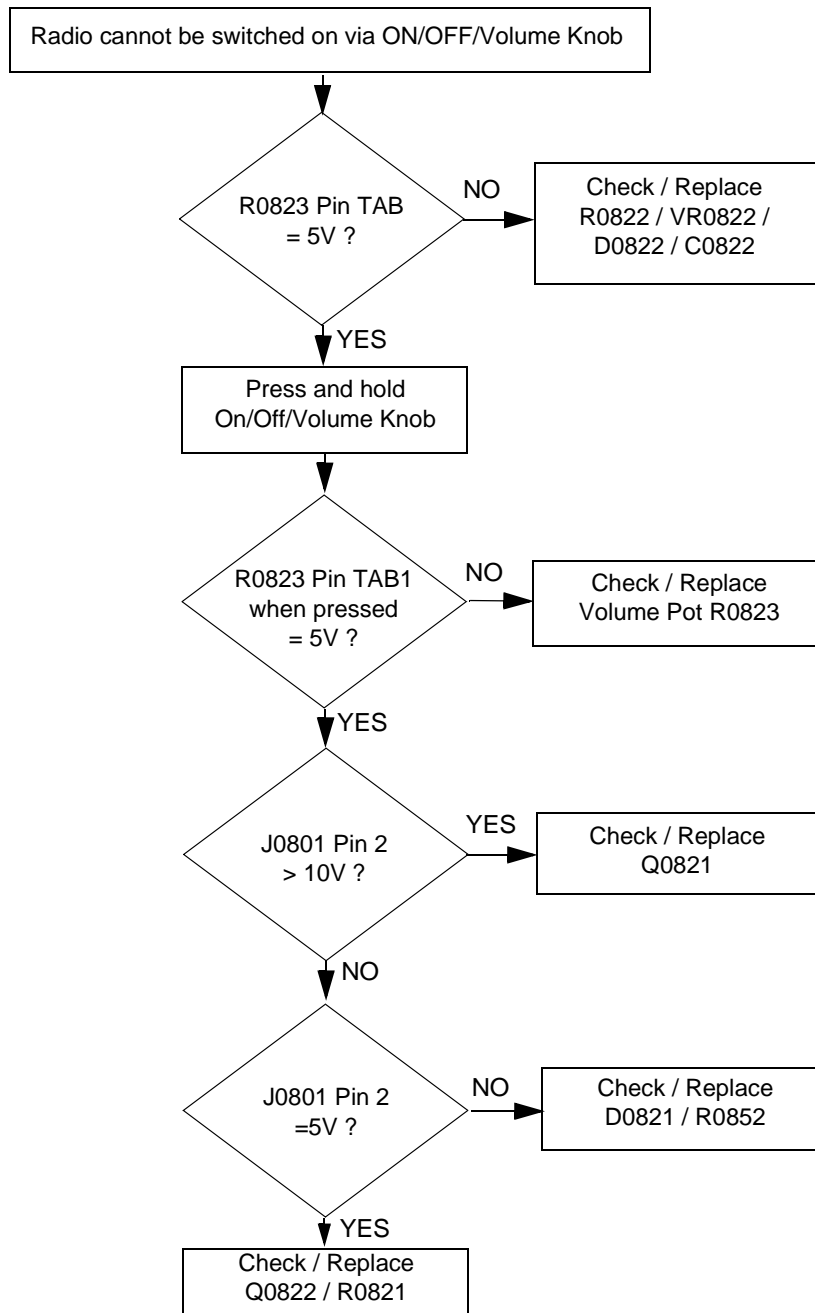


1.2 Microprocessor

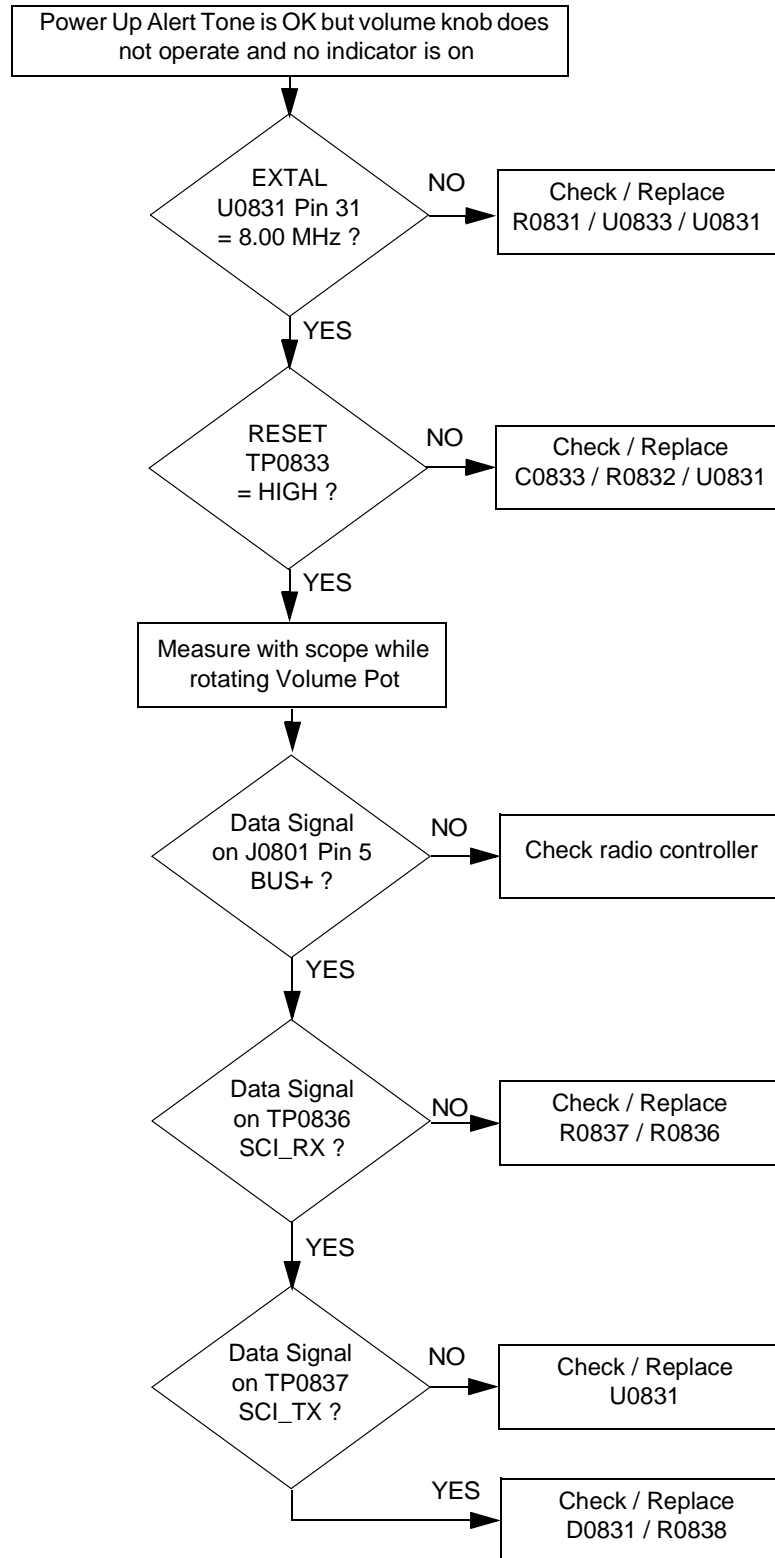


2.0 Controlhead GM338 Troubleshooting Flow Chart

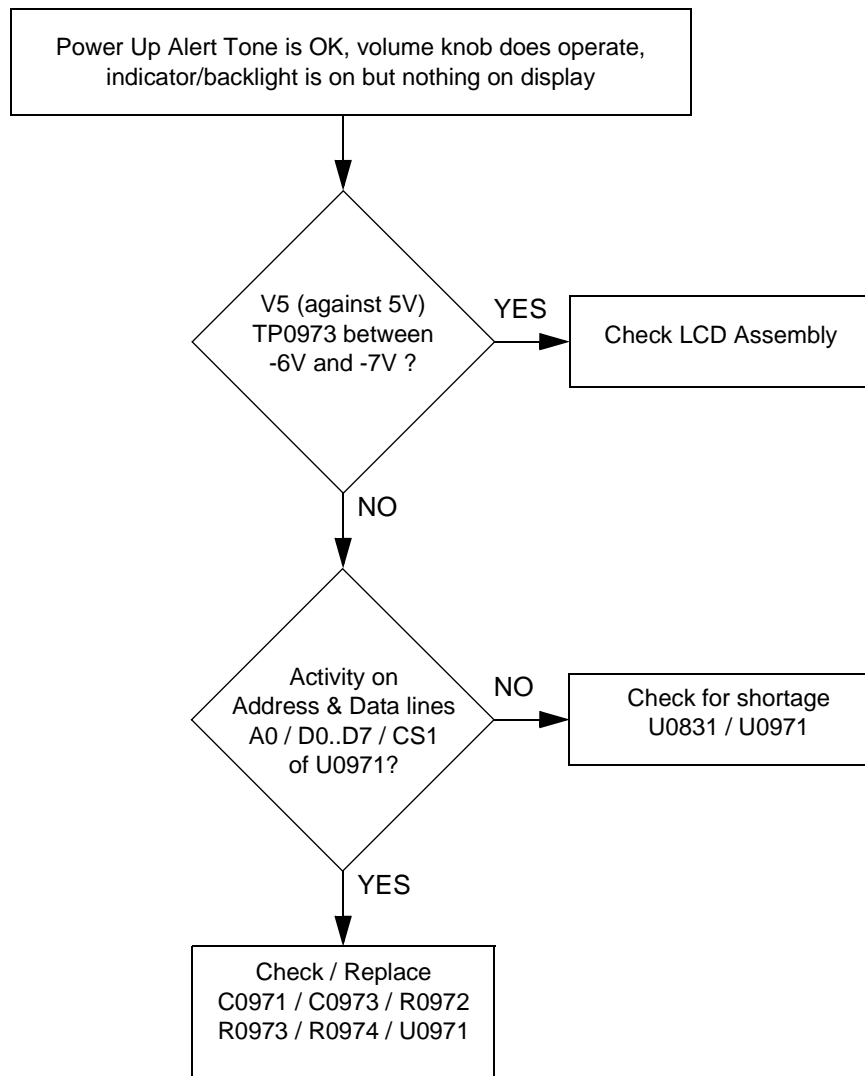
2.1 On/Off



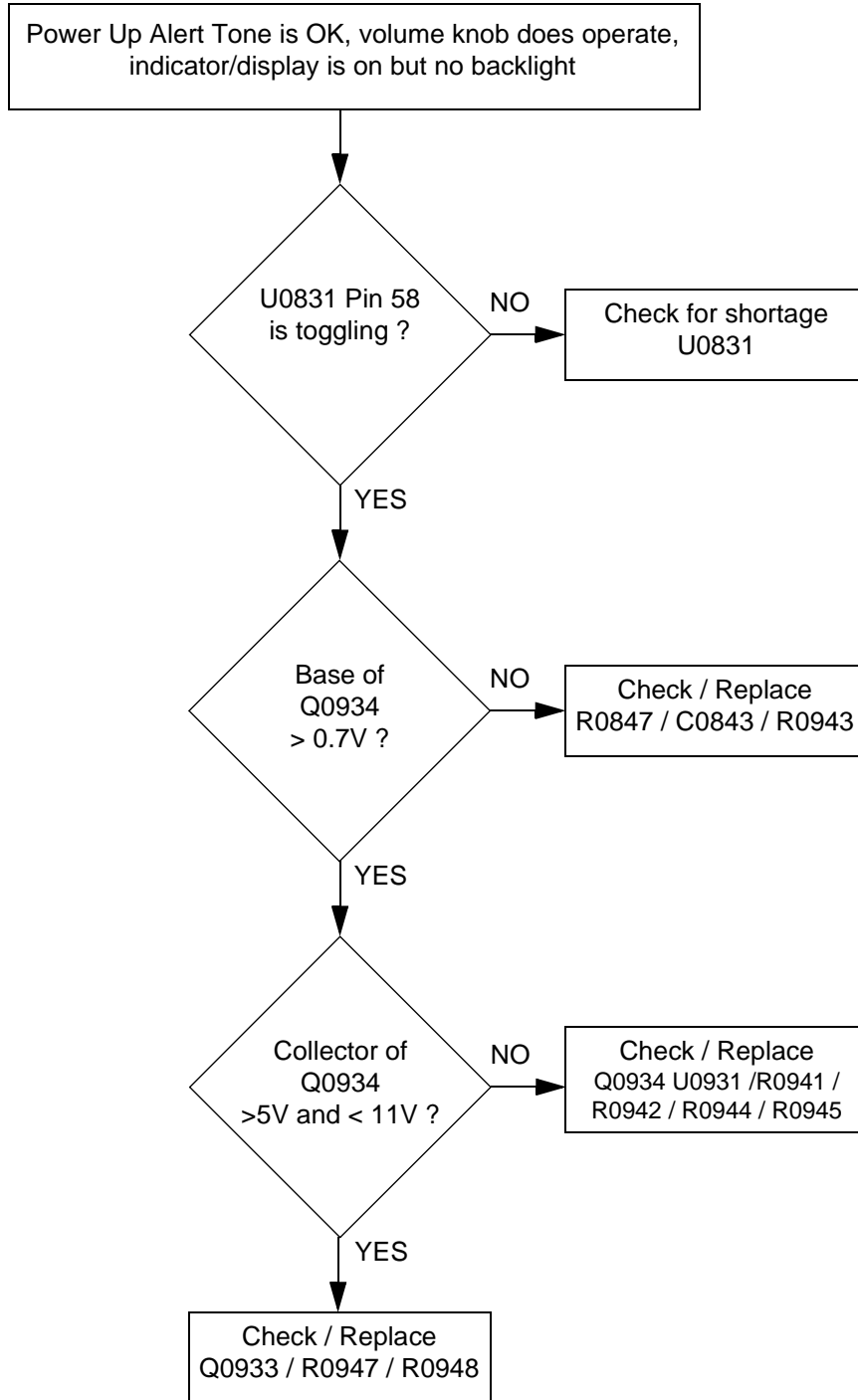
2.2 Microprocessor



2.3 Display

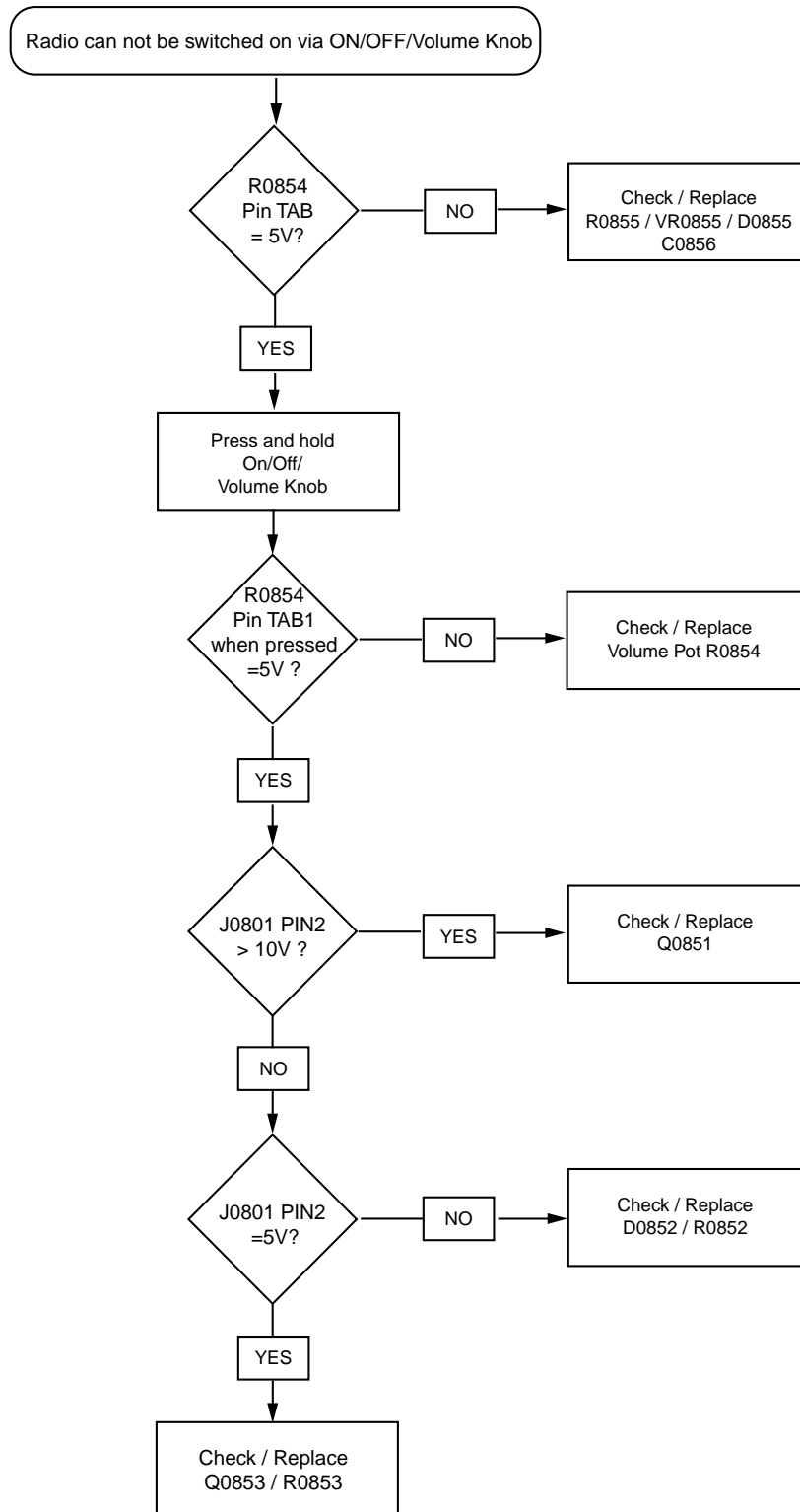


2.4 Backlight

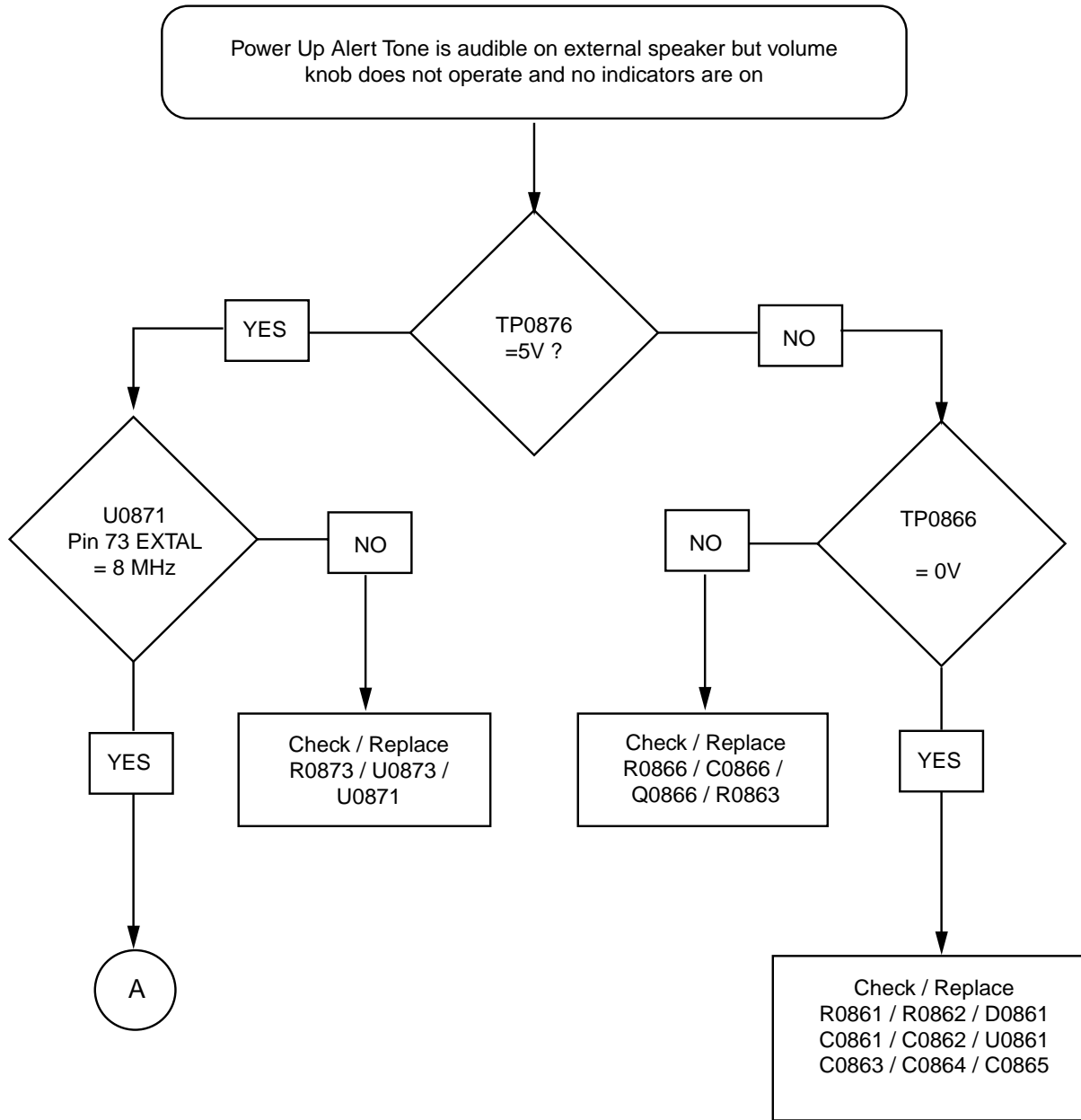


3.0 Controlhead GM398 Troubleshooting Flow Chart

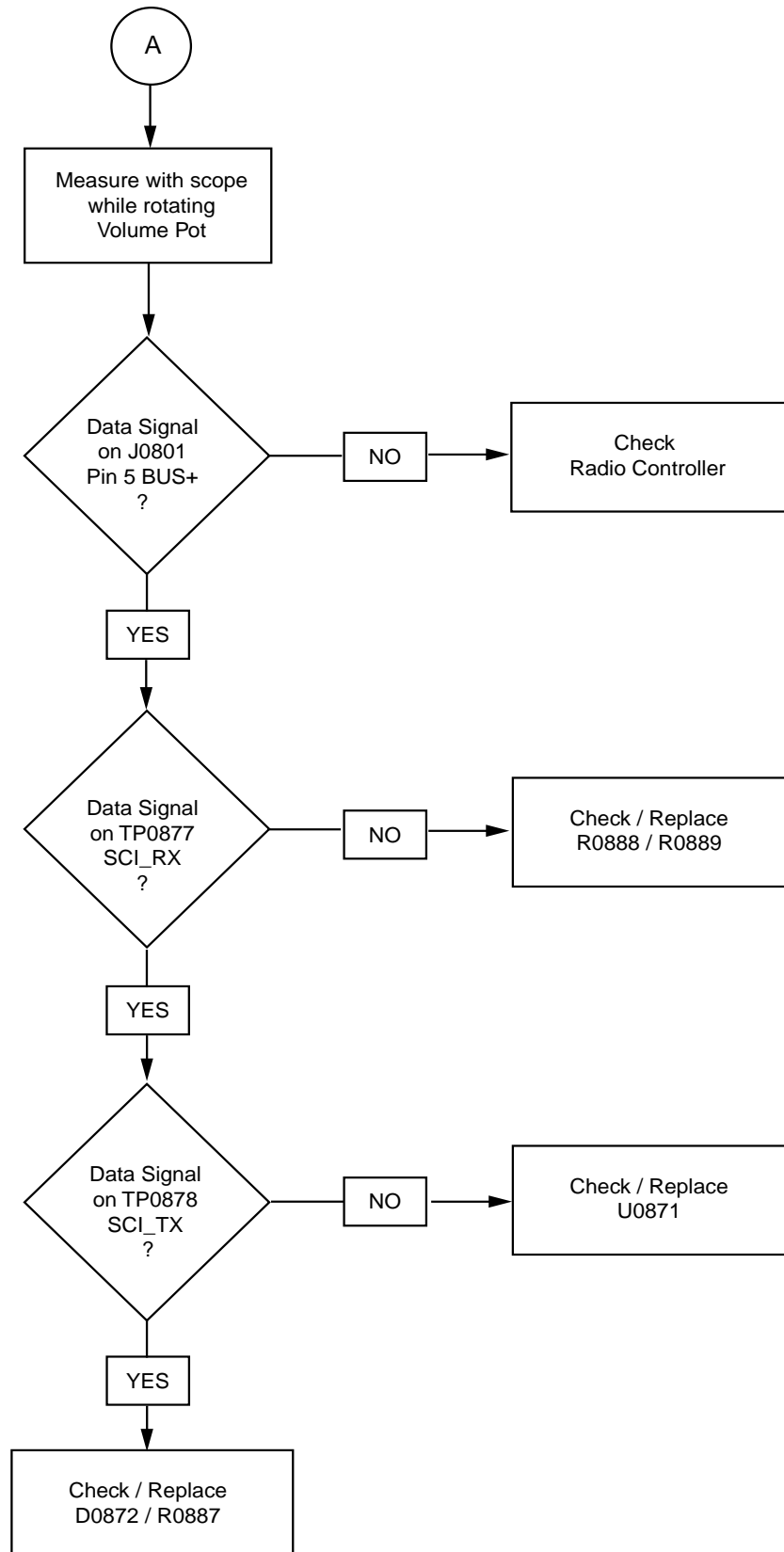
3.1 On/Off



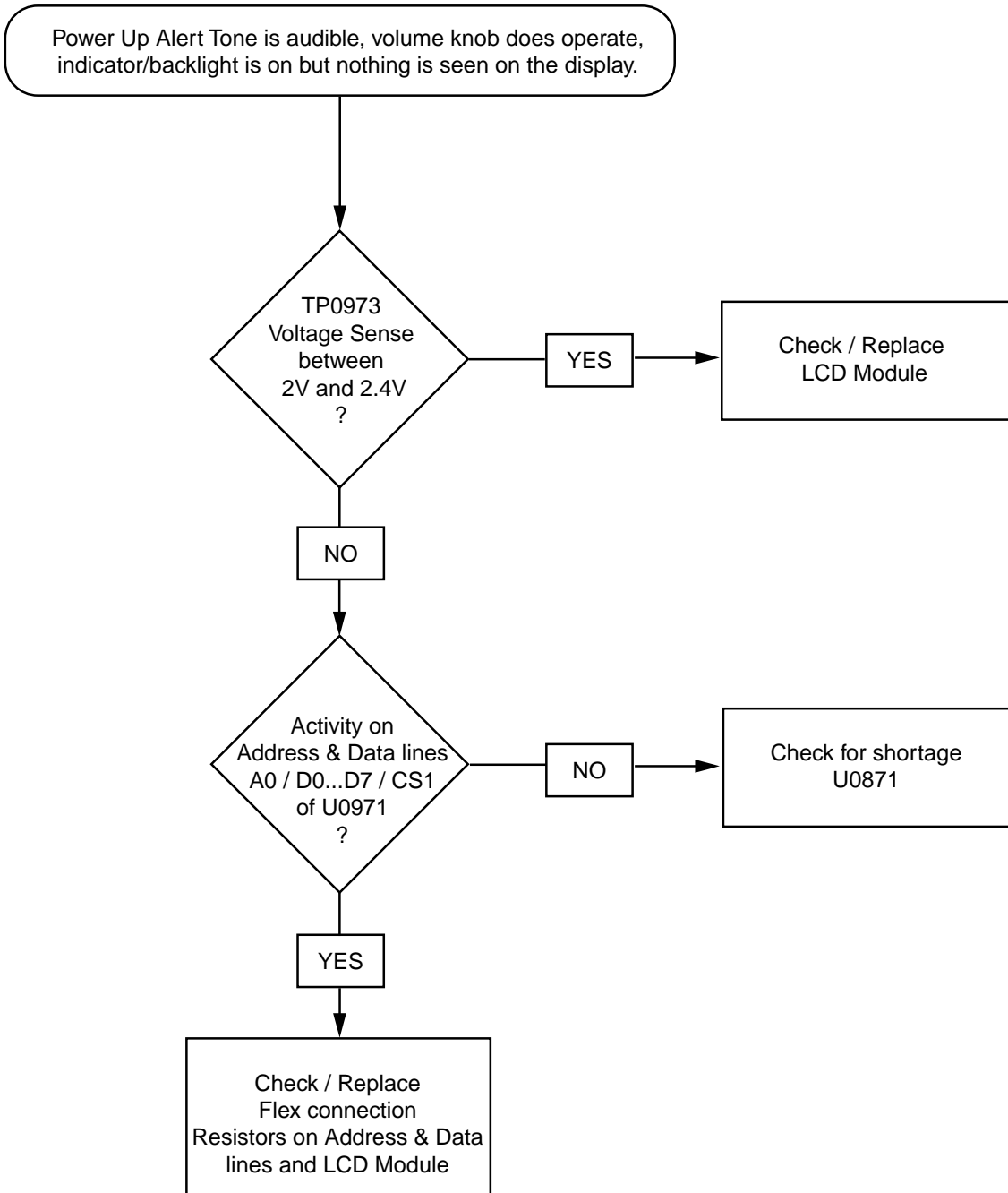
3.2 Microprocessor



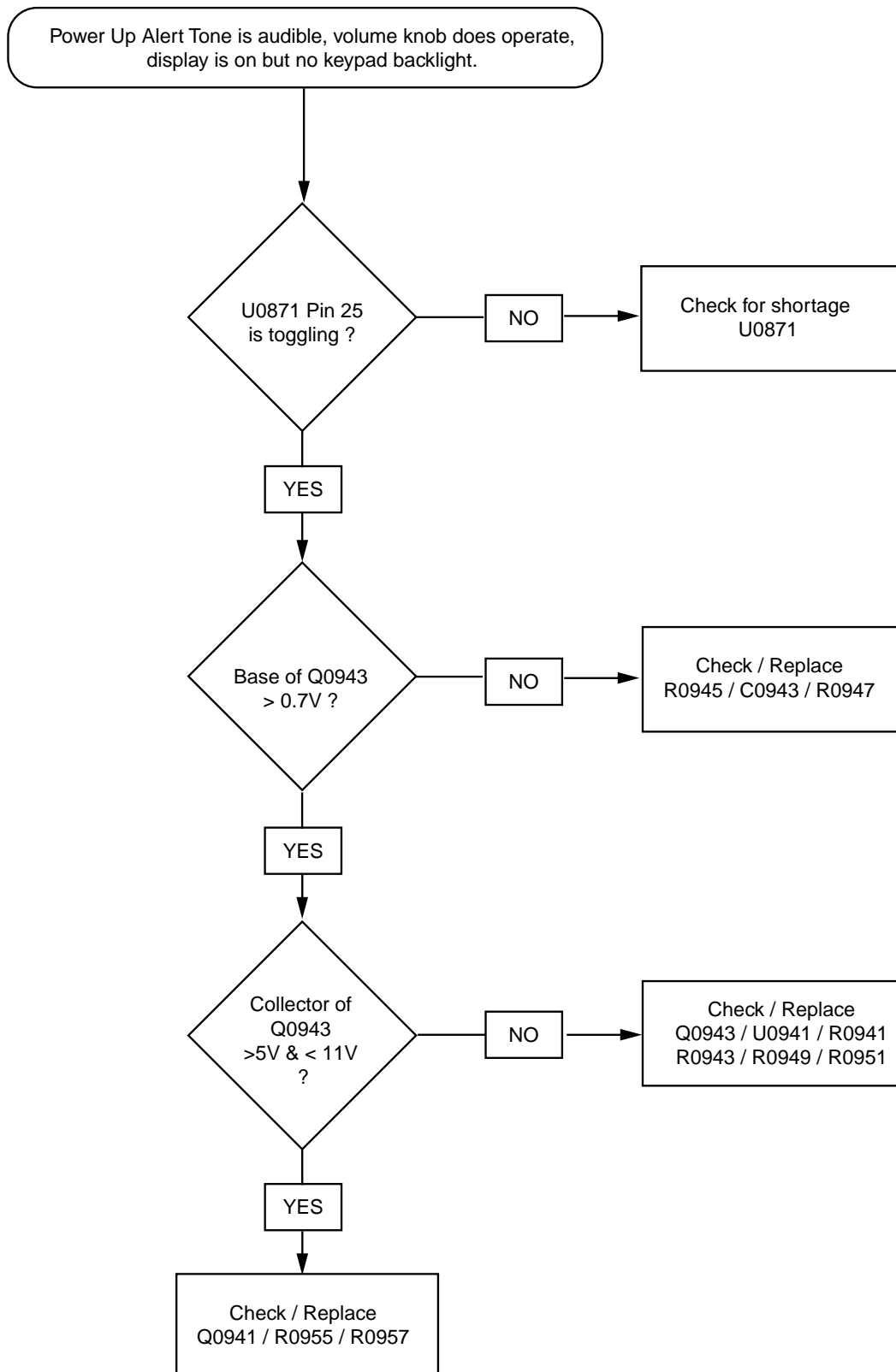
3.3 Microprocessor (cont.)



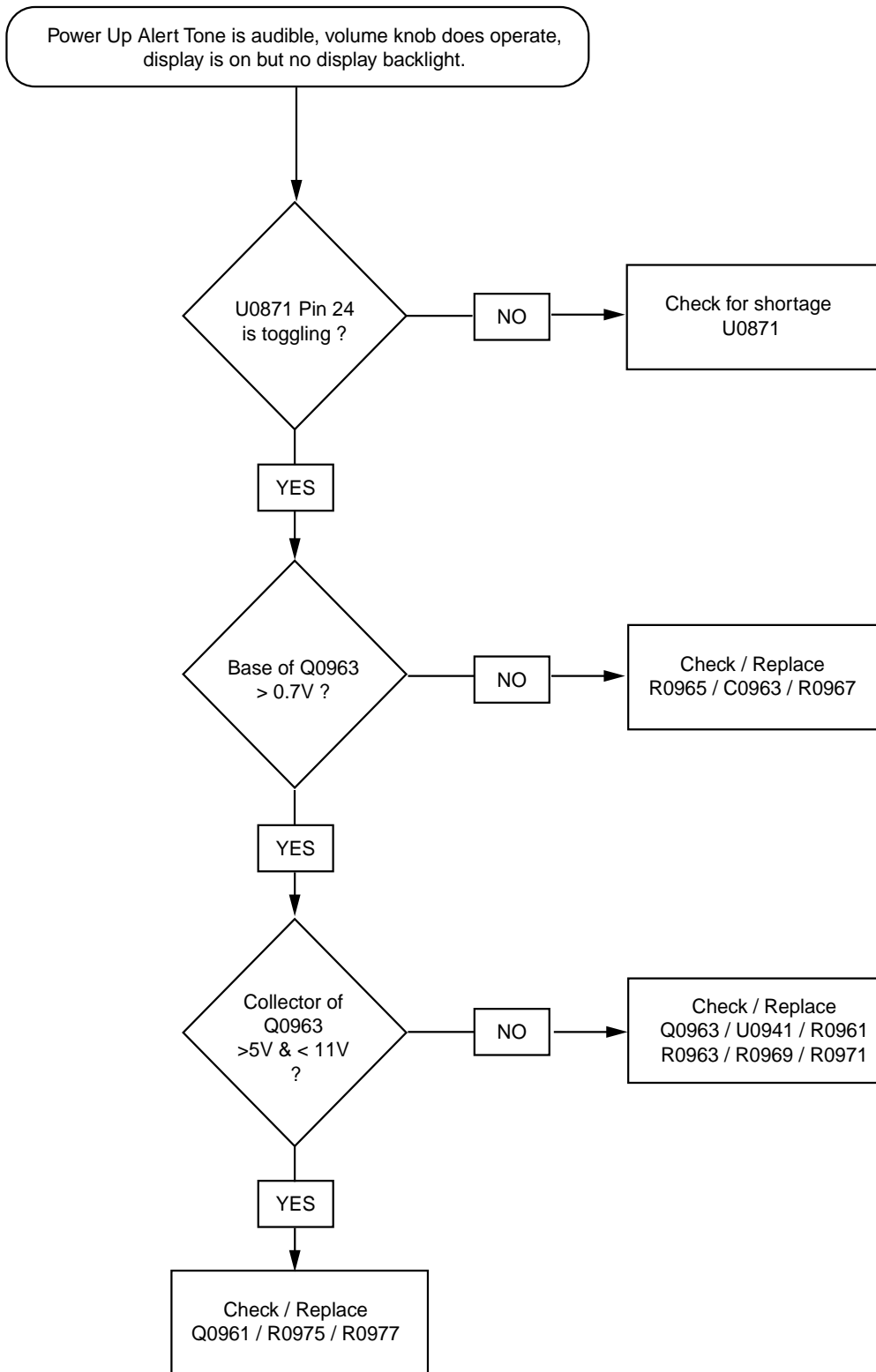
3.4 Display



3.5 Keypad Backlight



3.6 Display Backlight



Section 4

CONTROLHEAD PCBS / SCHEMATICS / PARTS LISTS

1.0 Allocation of Schematics and Circuit Boards

Table 4-1 Controlhead Diagrams and Parts Lists

PCB : Controlhead GM328 8486146B07 Main Board Top Side 8486146B07 Main Board Bottom Side	Page 4-3 Page 4-3
SCHEMATICS Sheet 1 of 2 Sheet 2 of 2	Page 4-4 Page 4-5
Parts List 8486146B07	Page 4-6

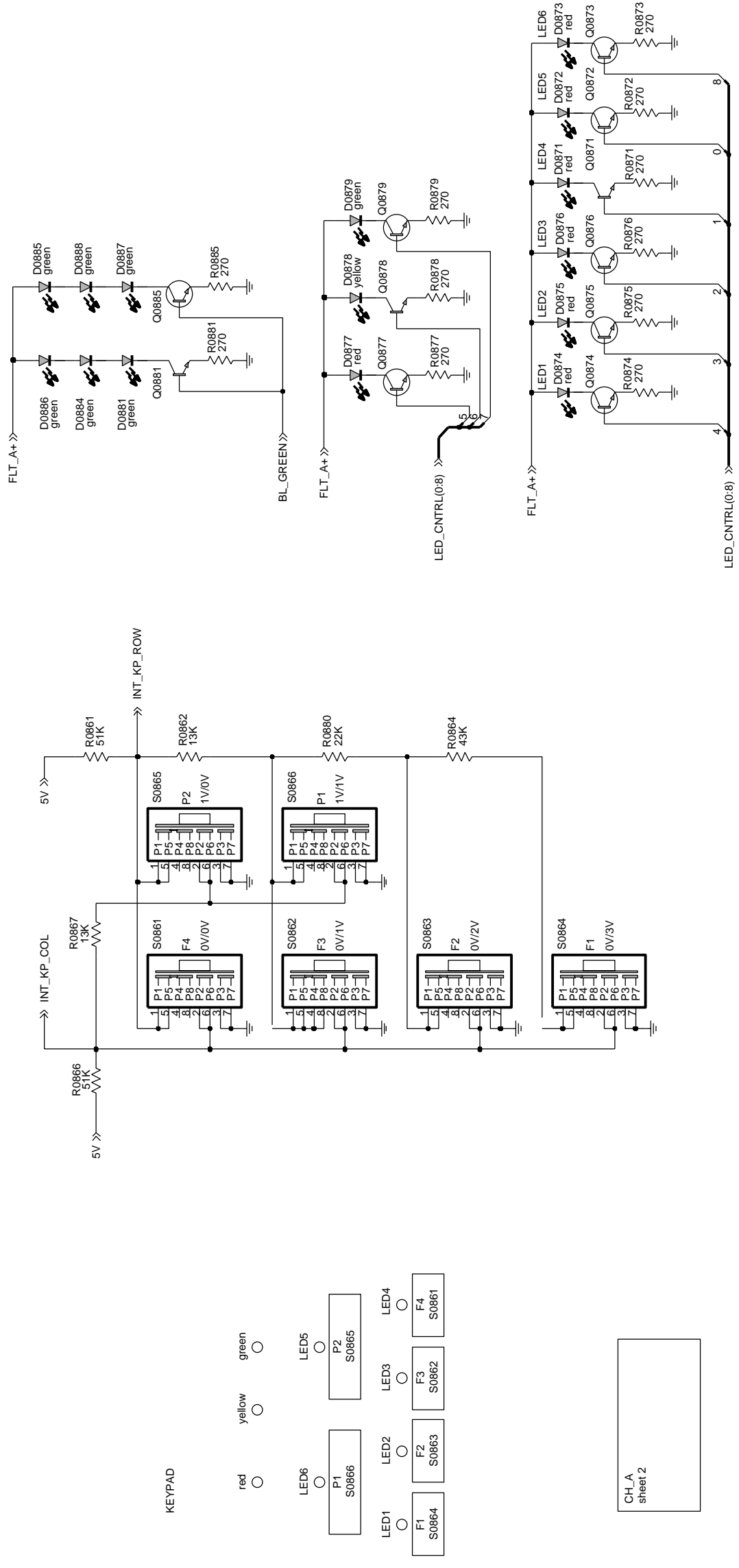
Table 4-2 Controlhead Diagrams and Parts Lists

PCB : Controlhead GM338 8486155B06 Main Board Top Side 8486155B06 Main Board Bottom Side	Page 4-7 Page 4-7
SCHEMATICS Sheet 1 of 4 Sheet 2 of 4 Sheet 3 of 4 Sheet 4 of 4	Page 4-8 Page 4-9 Page 4-10 Page 4-11
Parts List 8486155B06	Page 4-12

Table 4-3 Controlhead Diagrams and Parts Lists

PCB : Controlhead GM398 8486178B03 Main Board Top Side 8486178B03 Main Board Bottom Side	Page 4-13 Page 4-13
SCHEMATICS Sheet 1 of 4 Sheet 2 of 4 Sheet 3 of 4 Sheet 4 of 4	Page 4-14 Page 4-15 Page 4-16 Page 4-17
Parts List 8486178B03	Page 4-18

THIS PAGE INTENTIONALLY LEFT BLANK



ZWG0130240-A

CH-A
sheet 2

Controlhead PCB 8486146B07 Parts List

Circuit Ref	Motorola Part No	Description
C0802	2113741F17	470pF 50V
C0803	2113741F17	470pF 50V
C0804	2113741F17	470pF 50V
C0805	2113740F49	82pF 5% 50V
C0806	2113741F17	470pF 50V
C0808	2113741F17	470pF 50V
C0810	2113741F17	470pF 50V
C0811	2113741F17	470pF 50V
C0813	2113741F17	470pF 50V
C0815	2113741F17	470pF 50V
C0816	2113741F17	470pF 50V
C0817	2113740F49	82pF 5% 50V
C0818	2113741F17	470pF 50V
C0821	2113741F17	470pF 50V
C0822	2311049A40	TANT CP 2.2uF 10% 10V
C0823	2113741F49	10nF 50V
C0824	2113741F49	10nF 50V
C0831	2311049A42	TANT CP 3.3uF 10% 6V
C0832	2113743E20	100nF 16V
C0833	2113743E20	100nF 16V
C0843	2113741F17	470pF 50V
D0821	4813833C02	DUAL SOT MMBD6100
D0822	4813833C02	DUAL SOT MMBD6100
D0831	4880236E05	DIODE CHIP SCHOTTKY
D0871	4886171B01	LED RED
D0872	4886171B01	LED RED
D0873	4886171B01	LED RED
D0874	4886171B01	LED RED
D0875	4886171B01	LED RED
D0876	4886171B01	LED RED
D0877	4886171B01	LED RED
D0878	4886171B03	LED YELLOW
D0879	4886171B04	LED GREEN
D0881	4886171B04	LED GREEN
D0884	4886171B04	LED GREEN
D0885	4886171B04	LED GREEN
D0886	4886171B04	LED GREEN
D0887	4886171B04	LED GREEN
D0888	4886171B04	LED GREEN
J0801	0902636Y02	CONNECTOR FLEX 12 PIN
J0811	2864287B01	CONN TELCO 10 PIN JACK
P0801	2809926G01	CONN 1.25MM 2PIN SURMT
Q0821	4805921T02	TSTR DUAL ROHM FMC2 RH
Q0822	4880048M01	TSTR NPN DIG 47K/47K
Q0823	4805921T02	TSTR DUAL ROHM FMC2 RH
Q0841	4880048M01	TSTR NPN DIG 47K/47K
Q0843	4880048M01	TSTR NPN DIG 47K/47K
Q0871	4813824A10	TSTR NPN 40V .2A B=50-150

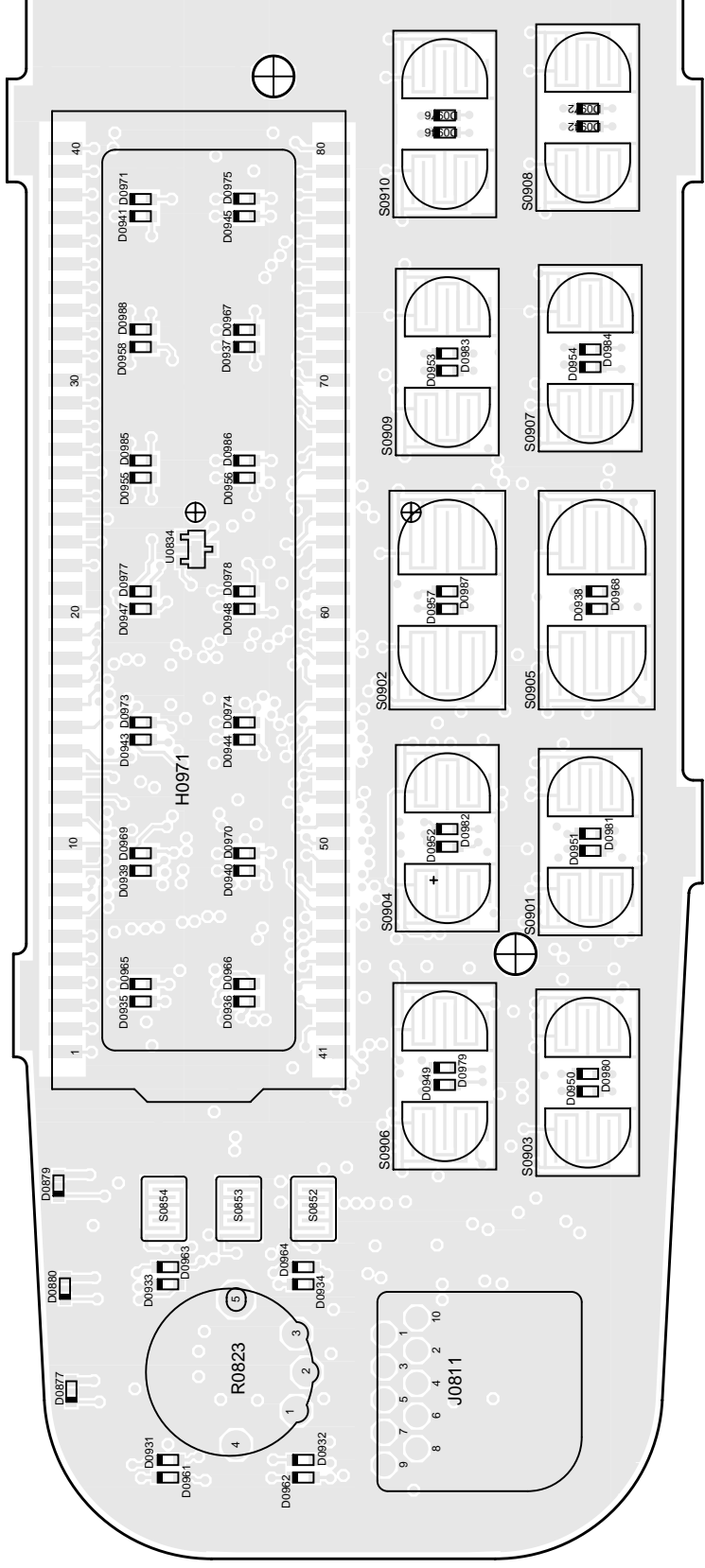
Circuit Ref	Motorola Part No	Description
Q0872	4813824A10	TSTR NPN 40V .2A B=50-150
Q0873	4813824A10	TSTR NPN 40V .2A B=50-150
Q0874	4813824A10	TSTR NPN 40V .2A B=50-150
Q0875	4813824A10	TSTR NPN 40V .2A B=50-150
Q0876	4813824A10	TSTR NPN 40V .2A B=50-150
Q0877	4813824A10	TSTR NPN 40V .2A B=50-150
Q0878	4813824A10	TSTR NPN 40V .2A B=50-150
Q0879	4813824A10	TSTR NPN 40V .2A B=50-150
Q0881	4813824A10	TSTR NPN 40V .2A B=50-150
Q0885	4813824A10	TSTR NPN 40V .2A B=50-150
R0810	0662057A76	13k 1/16W 5%
R0811	0662057A90	51k 1/16W 5%
R0812	0662057A09	22 1/16W 5%
R0813	0662057A01	10 1/16W 5%
R0814	0662057A35	270 1/16W 5%
R0815	0662057A76	13k 1/16W 5%
R0816	0662057A90	51k 1/16W 5%
R0821	0662057A73	10k 1/16W 5%
R0822	0662057A76	13K 1/16W 5%
R0823	1805911V02	POT VOL
R0824	0662057A65	4K7 1/16W 5%
R0825	0662057A49	1k 1/16W 5%
R0831	0662057B22	1M 1/16W 5%
R0832	0662057A57	2k2 1/16W 5%
R0833	0662057A89	47k 1/16W 5%
R0834	0662057A35	270 1/16W 5%
R0835	0662057A25	100 1/16W 5%
R0836	0662057A73	10k 1/16W 5%
R0837	0662057A85	33k 1/16W 5%
R0838	0662057A73	10k 1/16W 5%
R0841	0662057A73	10k 1/16W 5%
R0842	0662057A89	47k 1/16W 5%
R0843	0662057A57	2.2k 1/16W 5%
R0844	0662057A73	10k 1/16W 5%
R0845	0662057A65	4K7 1/16W 5%
R0847	0662057A09	22 1/16W 5%
R0849	0662057A89	47k 1/16W 5%
R0852	0662057A97	100k 1/16W
R0853	0662057A97	100k 1/16W
R0854	0662057A97	100k 1/16W
R0861	0662057A90	51k 1/16W 5%
R0862	0662057A76	13k 1/16W 5%
R0864	0662057A88	43k 1/16W 5%
R0866	0662057A90	51k 1/16W 5%
R0867	0662057A76	13k 1/16W 5%
R0873	0660076A35	270 5 1/8
R0874	0660076A35	270 5 1/8
R0875	0660076A35	270 5 1/8
R0876	0660076A35	270 5 1/8
R0877	0660076A35	270 5 1/8
R0878	0660076A35	270 5 1/8

Circuit Ref	Motorola Part No	Description
R0879	0660076A35	270 5 1/8
R0880	0662057A81	22k 1/16W 5%
R0881	0662057A35	270 1/16W 5%
R0885	0662057A35	270 1/16W 5%
*U0831	5113802A24	IC 68HC11 W/SCI,SPI,A/D
U0832	5113815A02	IC
U0833	4886061B01	CER RESONATOR 8MHZ
VR0816	4805656W09	CSTCC8.00MG
VR0817	4805656W09	DIODE ZENER QUAD
		MMQA20VT1
		DIODE ZENER QUAD
		MMQA20VT1
VR0821	4813830A15	DIODE 5.6V 5% 225mW
VR0822	4813830A15	DIODE 5.6V 5% 225mW
VR0823	4813830A15	DIODE 5.6V 5% 225mW

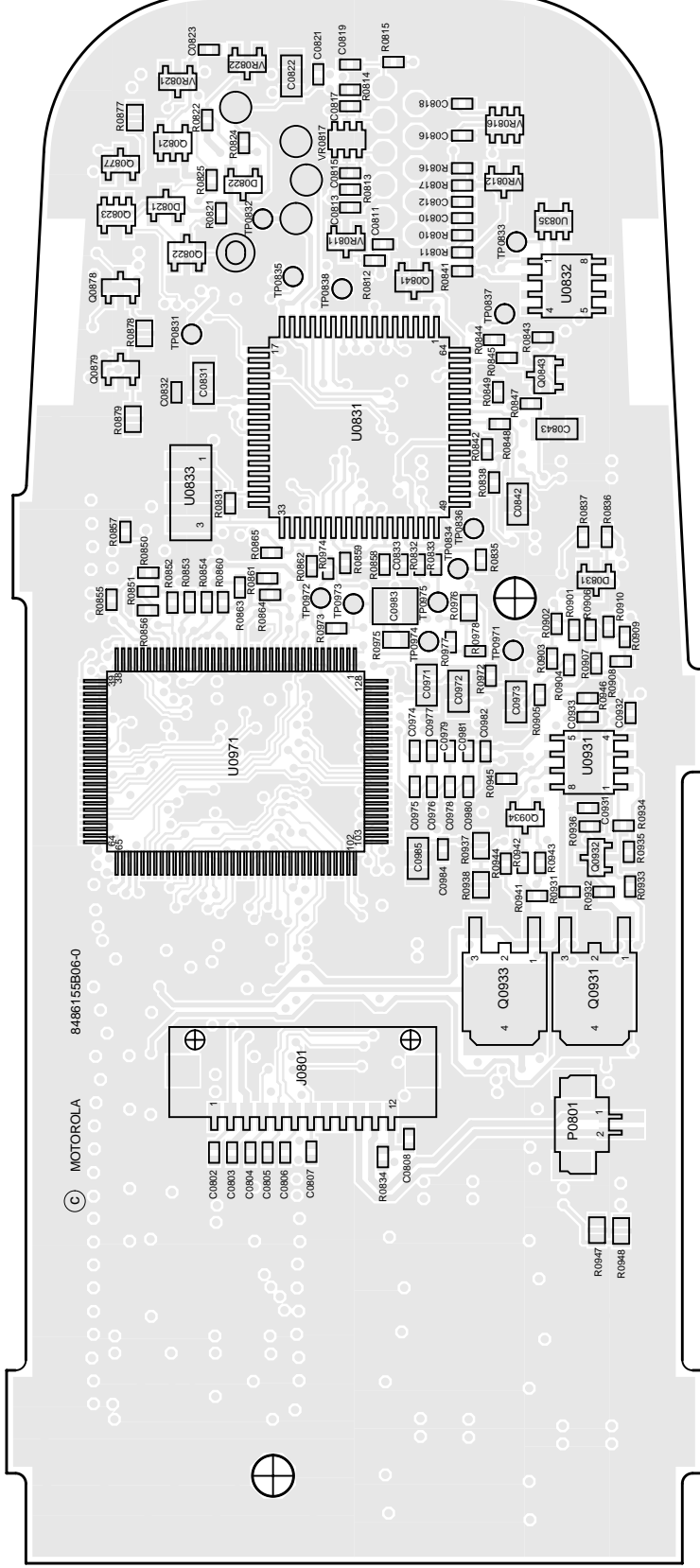
* Motorola Depot Servicing only

Reference designators with an asterisk indicate components which are not fieldreplaceable because they need to be calibrated with specialized factory equipment after installation. Radios in which these parts have been replaced in the field will be off frequency at temperature extremes.

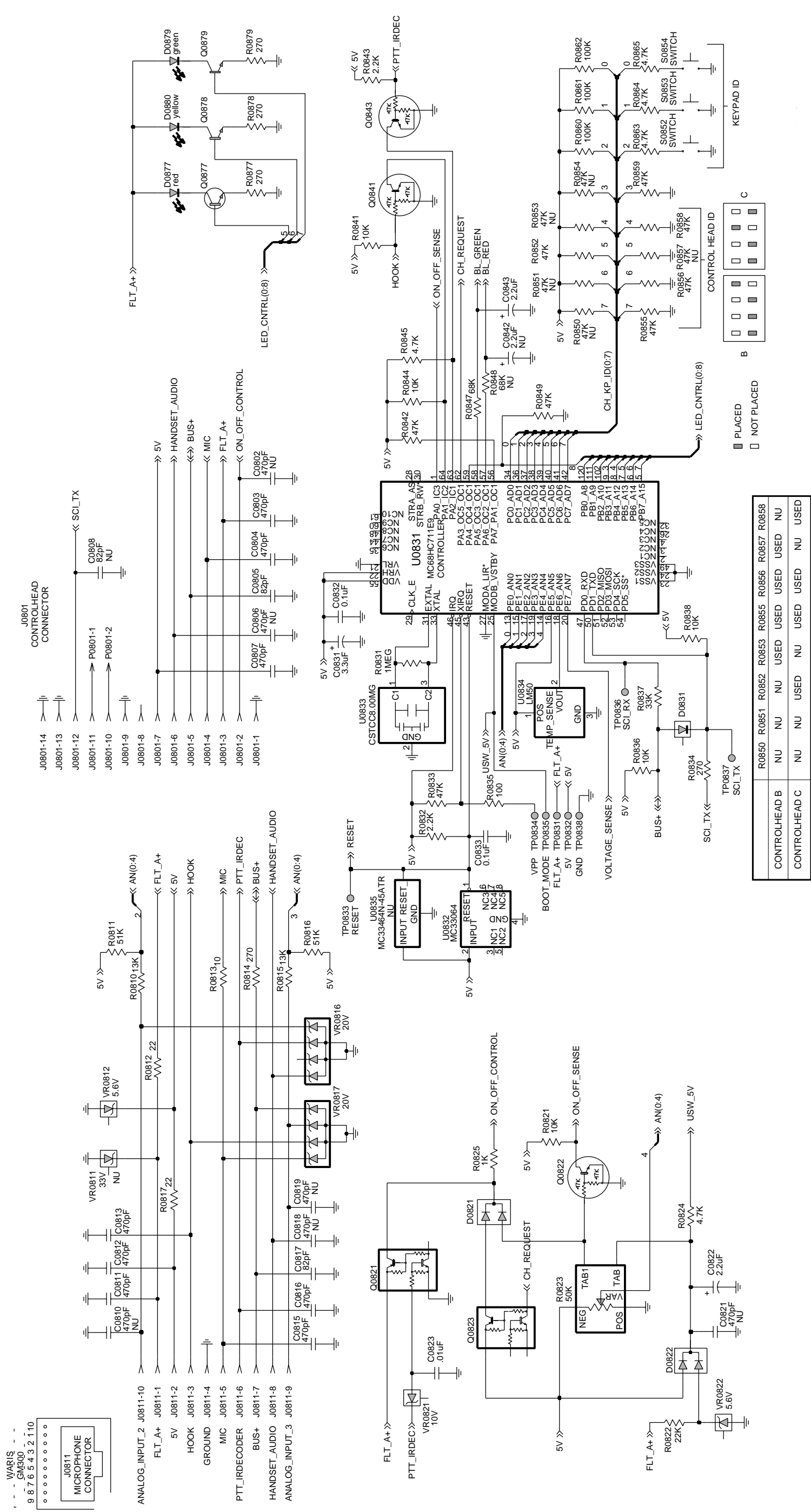
3.0 Controlhead GM338 - PCB 8486155B06 / Schematics



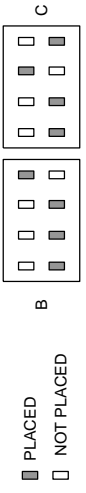
ZWG0130136-A Top Side



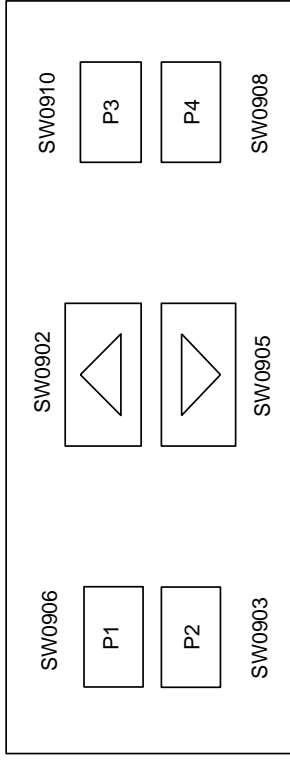
ZWG0130137-B Bottom Side



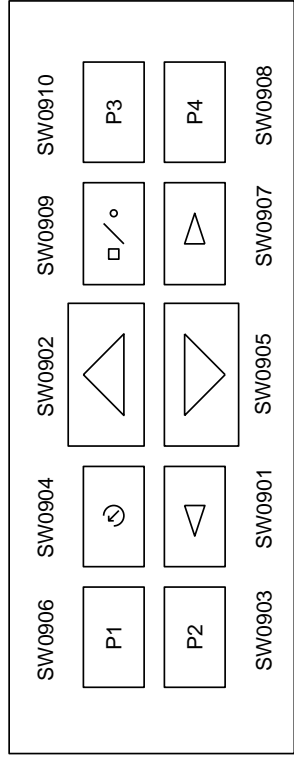
Component	U0850	U0851	U0852	U0853	U0855	U0856	U0857	U0858
CONTROLHEAD B	NU	NU	NU	USED	USED	USED	NU	USED
CONTROLHEAD C	NU	NU	USED	NU	USED	USED	NU	USED



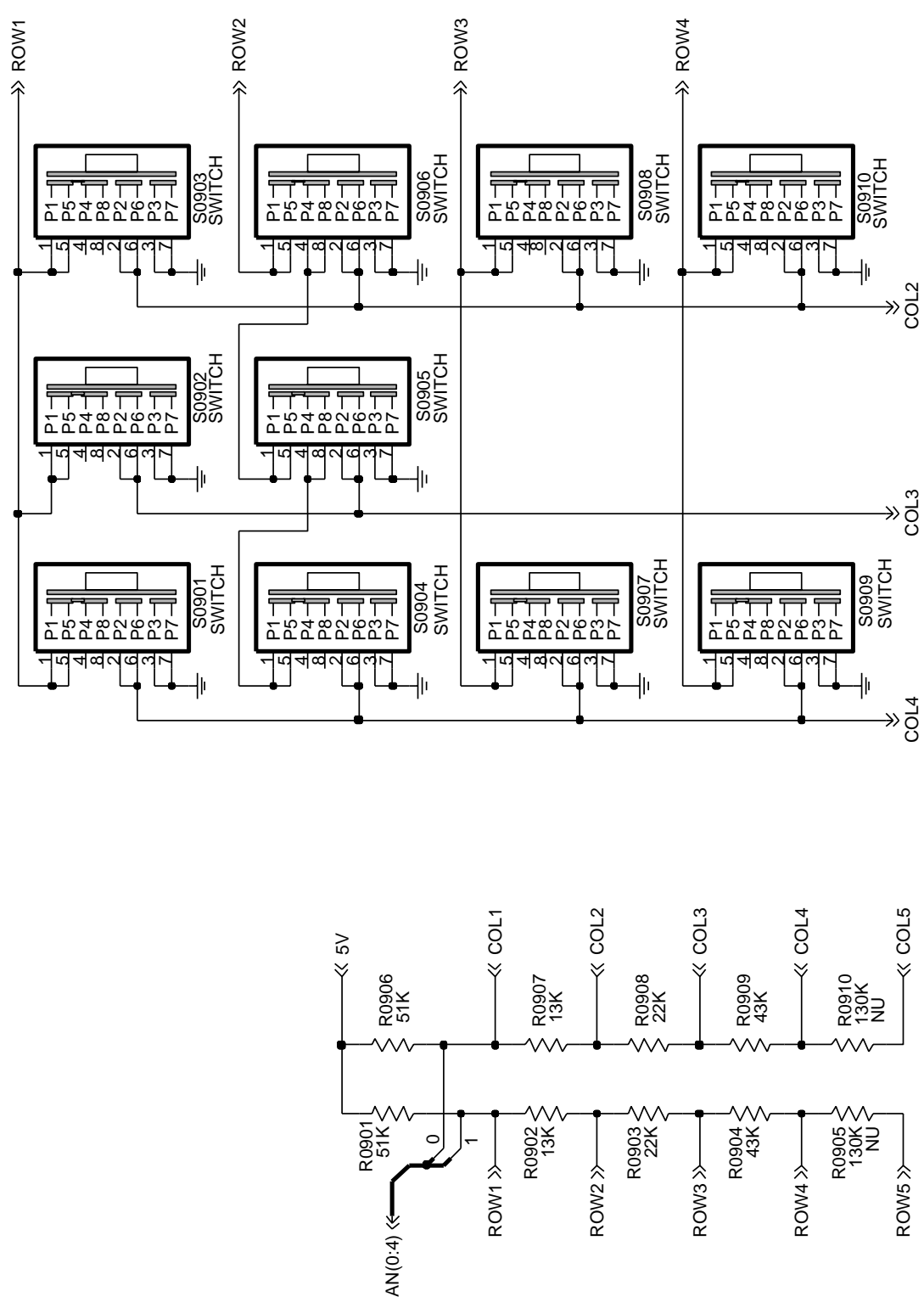
ZWG0130241-A



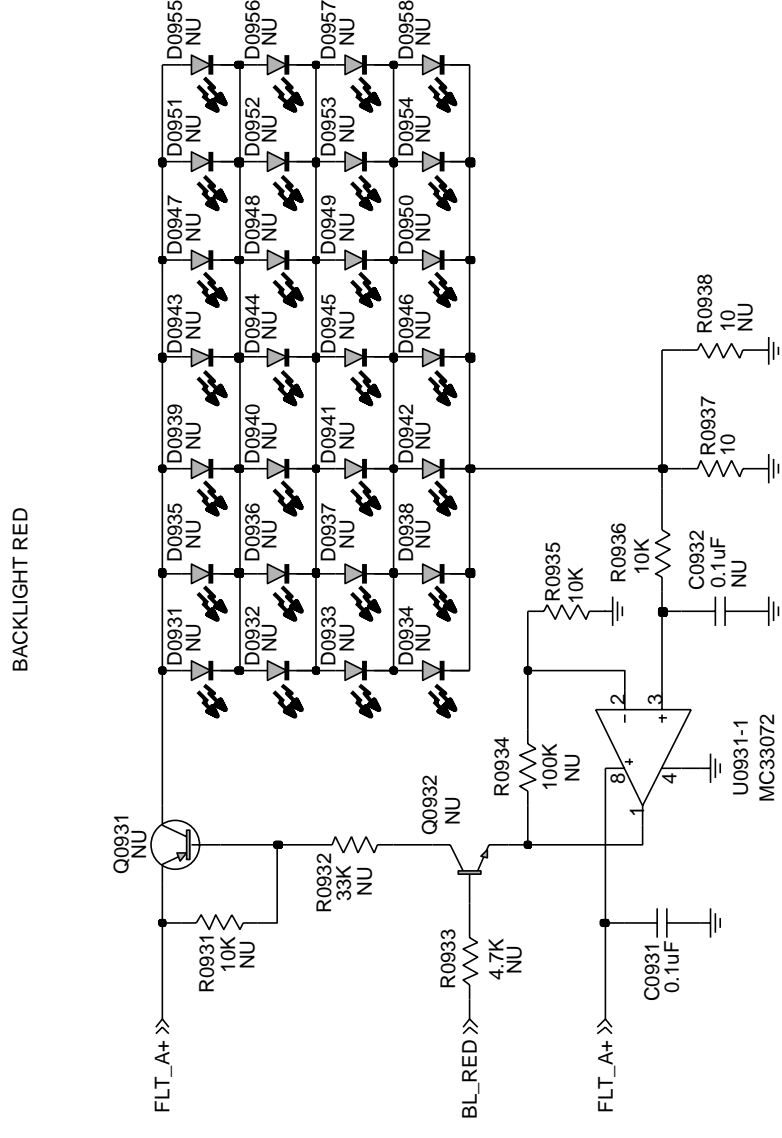
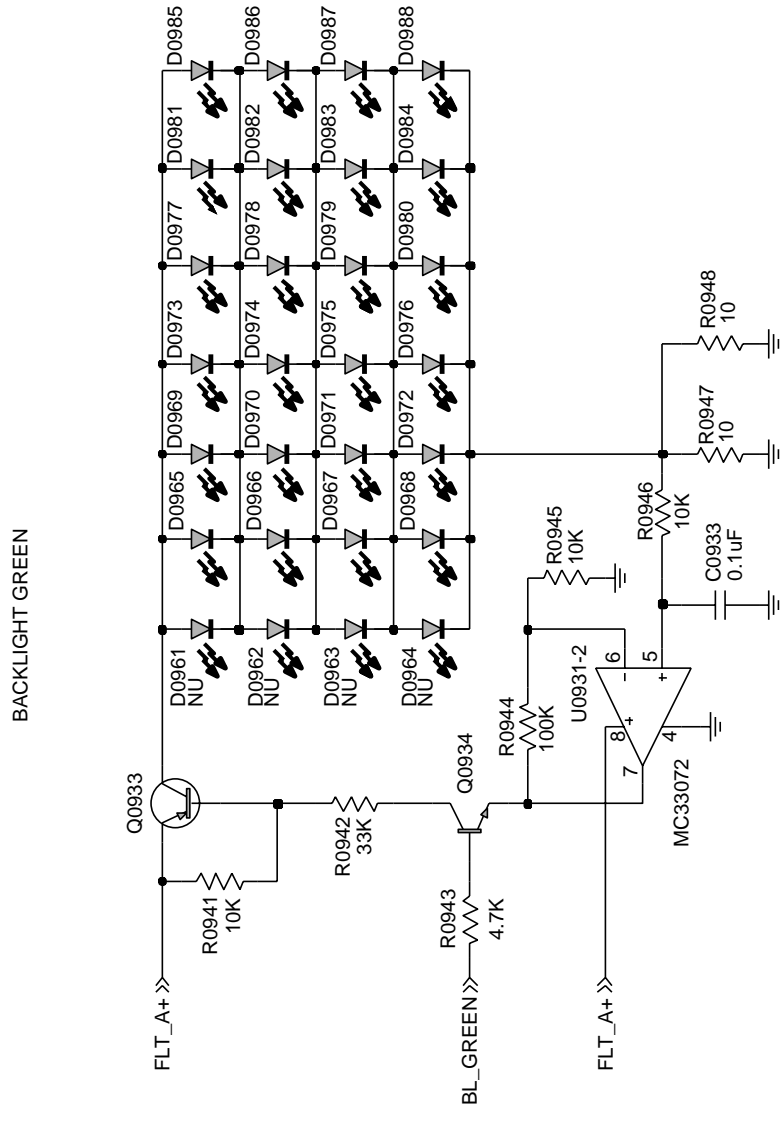
KEYPAD C



CH_B
CH_C
sheet 2

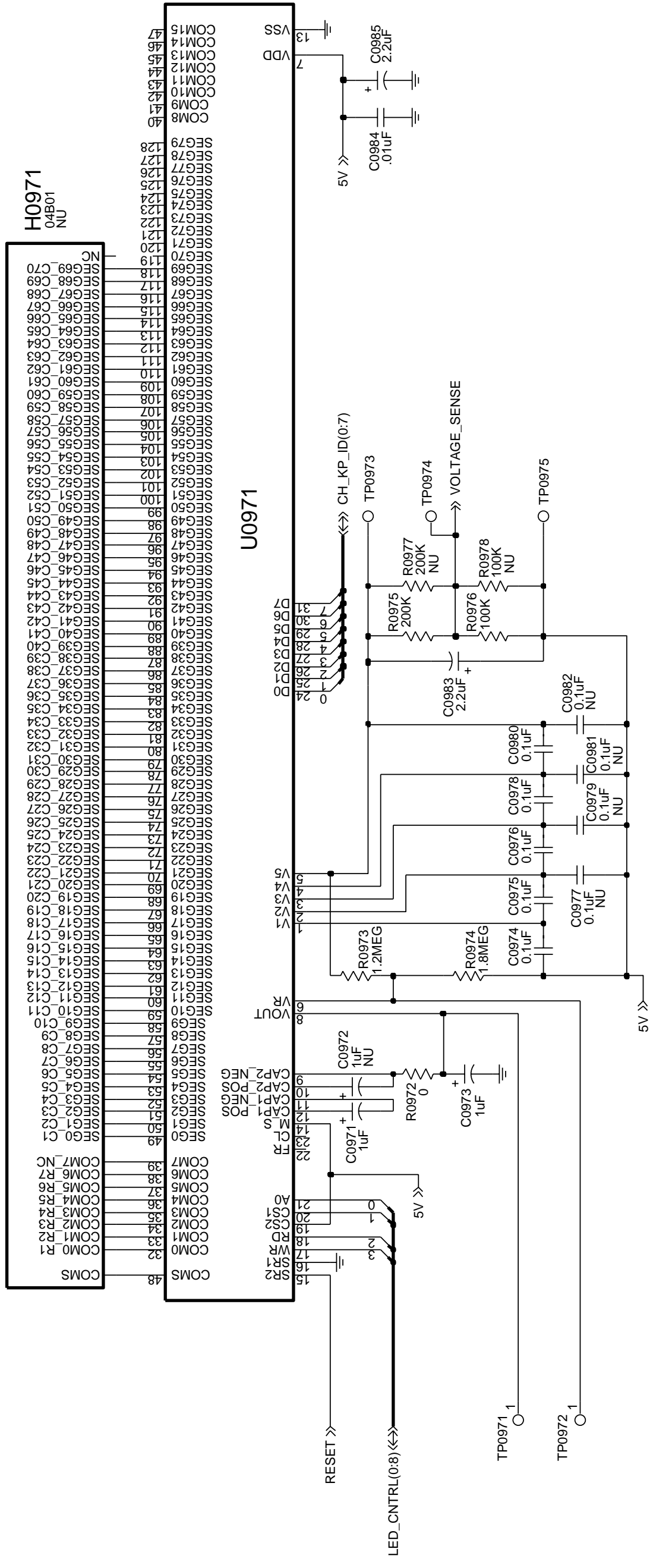


ZWG0130242-A



ZWG0130243-A

THE LCD IS PART OF HARDWAREKITS GLN7358A (EUR) AND GLN7359A (US)



ZWG0130244-A

Controlhead PCB 8486155B06 Parts List

Circuit Ref	Motorola Part No	Description
C0803	2113741F17	470pF 50V
C0804	2113741F17	470pF 50V
C0805	2113740F49	82pF 5% 50V NP0
C0807	2113741F17	470pF 50V
C0811	2113741F17	470pF 50V
C0812	2113741F17	470pF 50V
C0813	2113741F17	470pF 50V
C0815	2113741F17	470pF 50V
C0816	2113741F17	470pF 50V
C0817	2113740F49	82pF 5% 50V
C0822	2311049A40	TANT CP 2.2uF 10% 10V
C0823	2113741F49	10nF 50V
C0831	2311049A42	TANT CP 3.3uF 10% 6V
C0832	2113743E20	100nF 16V
C0843	2311049A40	TANT CP 2.2uF 10% 10V
C0931	2113743E20	100nF 16V
C0933	2113743E20	100nF 16V
C0971	2311049A07	TANT CP 1uF 10% 16V
C0973	2311049A07	TANT CP 1uF 10% 16V
C0974	2113743E20	100nF 16V
C0975	2113743E20	100nF 16V
C0976	2113743E20	100nF 16V
C0978	2113743E20	100nF 16V
C0980	2113743E20	100nF 16V
C0983	2311049A09	TANT CP 2.2uF 10% 20V
C0984	2113741F49	10nF 50V
C0985	2311049A40	TANT CP 2.2uF 10% 10V
D0821	4813833C02	DIODE DUAL SOT
	MMBD6100	
D0822	4813833C02	DIODE DUAL SOT
	MMBD6100	
D0831	4880236E05	DIODE CHIP SCHOTTKY
D0877	4886171B01	LED RED
D0879	4886171B04	LED GREEN
D0880	4886171B03	LED YELLOW
D0951	4886171B02	LED ORANGE
	Not used in	Controlhead B
D0952	4886171B02	LED ORANGE
	Not used in	Controlhead B
D0953	4886171B02	LED ORANGE
	Not used in	Controlhead B
D0954	4886171B02	LED ORANGE
	Not used in	Controlhead B
D0965	4886171B04	LED GREEN
D0966	4886171B04	LED GREEN
D0967	4886171B04	LED GREEN
D0968	4886171B04	LED GREEN
D0969	4886171B04	LED GREEN

Circuit Ref	Motorola Part No	Description
R0833	0662057A89	47k 1/16W 5%
R0834	0662057A35	270 1/16W 5%
R0835	0662057A25	100 1/16W 5%
R0836	0662057A73	10k 1/16W 5%
R0837	0662057A85	33k 1/16W 5%
R0838	0662057A73	10k 1/16W 5%
R0841	0662057A73	10k 1/16W 5%
R0842	0662057A89	47k 1/16W 5%
R0843	0662057A57	2.2k 1/16W 5%
R0844	0662057A73	10k 1/16W 5%
R0845	0662057A65	4k7 1/16W 5%
R0847	0662057A93	68k 1/16W 5%
R0849	0662057A89	47k 1/16W 5%
R0853	0662057A89	47k 1/16W 5%
R0855	0662057A89	47k 1/16W 5%
R0856	0662057A89	47k 1/16W 5%
R0857	0662057A89	47k 1/16W 5%
R0858	Not used in	Controlhead C
	0662057A89	47k 1/16W 5%
	Not used in	Controlhead B
R0859	0662057A89	47k 1/16W 5%
R0860	0662057A97	100k 1/16W
R0861	0662057A97	100k 1/16W
R0862	0662057A97	100k 1/16W
R0863	0662057A65	4k7 1/16W 5%
R0864	0662057A65	4k7 1/16W 5%
R0865	0662057A65	4k7 1/16W 5%
R0877	0660076A35	270 5 1/8
R0878	0660076A35	270 5 1/8
R0879	0660076A35	270 5 1/8
R0901	0662057A90	51k 1/16W 5%
R0902	0662057A76	13k 1/16W 5%
R0903	0662057A81	22k 1/16W 5%
R0904	0662057A88	43k 1/16W 5%
R0906	0662057A90	51k 1/16W 5%
R0907	0662057A76	13k 1/16W 5%
R0908	0662057A81	22k 1/16W 5%
R0909	0662057A88	43k 1/16W 5%
	Not used in	Controlhead B
R0935	0662057A73	10k 1/16W 5%
R0936	0662057A73	10k 1/16W 5%
R0937	0660076A01	10 5 1/8
R0941	0662057A73	10k 1/16W 5%
R0942	0662057A85	33k 1/16W 5%
R0943	0662057A65	4k7 1/16W 5%
R0944	0662057A97	100k 1/16W
R0945	0662057A73	10k 1/16W 5%
R0946	0662057A73	10k 1/16W 5%
R0947	0660076A01	10 5 1/8
R0948	0660076A01	10 5 1/8
R0972	0662057B47	0 1/16W

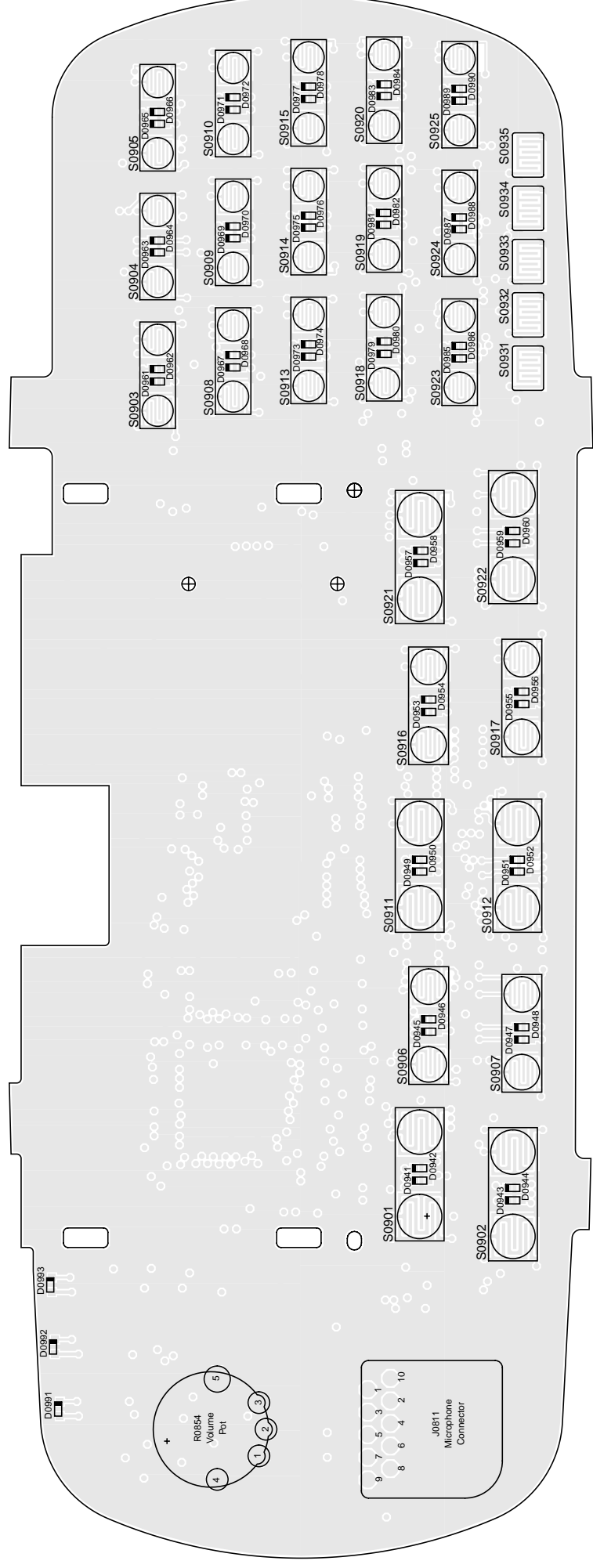
Circuit Ref	Motorola Part No	Description
D0970	4886171B04	LED GREEN
D0971	4886171B04	LED GREEN
D0972	4886171B04	LED GREEN
D0973	4886171B04	LED GREEN
D0974	4886171B04	LED GREEN
D0975	4886171B04	LED GREEN
D0976	4886171B04	LED GREEN
D0977	4886171B04	LED GREEN
D0978	4886171B04	LED GREEN
D0979	4886171B04	LED GREEN
D0980	4886171B04	LED GREEN
D0981	4886171B04	LED GREEN
	Not used in	Controlhead B
D0982	4886171B04	LED GREEN
	Not used in	Controlhead B
D0983	4886171B04	LED GREEN
	Not used in	Controlhead B
D0984	4886171B04	LED GREEN
	Not used in	Controlhead B
D0985	4886171B04	LED GREEN
D0986	4886171B04	LED GREEN
D0987	4886171B04	LED GREEN
D0988	4886171B04	LED GREEN
J0801	0902636Y02	CONNECTOR FLEX 12 PIN
J0811	2864287B01	CONN TELCO 10 PIN JACK
P0801	2809926G01	CONN 1.25MM 2PIN SUR MT
Q0821	4805921T02	TSTR DUAL ROHM FMC2 RH
Q0822	4880048M01	TSTR NPN DIG 47k/47k
Q0823	4805921T02	TSTR DUAL ROHM FMC2 RH
Q0841	4880048M01	TSTR NPN DIG 47k/47k
Q0843	4880048M01	TSTR NPN DIG 47k/47k
Q0877	4813824A10	TSTR NPN 40V .2A B=50-150
Q0878	4813824A10	TSTR NPN 40V .2A B=50-150
Q0879	4813824A10	TSTR NPN 40V .2A B=50-150
Q0933	4813822A08	TSTR PNP 25V 5AMJD210T4
Q0934	4813824A10	TSTR NPN 40V .2A B=50-150
R0810	0662057A76	13k 1/16W 5%
R0811	0662057A90	51k 1/16W 5%
R0812	0662057A09	22 1/16W 5%
R0813	0662057A01	10 1/16W 5%
R0814	0662057A35	270 1/16W 5%
R0815	0662057A76	13k 1/16W 5%
R0816	0662057A90	51k 1/16W 5%
R0817	0662057A09	22 1/16W 5%
R0821	0662057A73	10k 1/16W 5%
R0822	0662057A81	22k 1/16W 5%
R0823	1805911V02	POT VOL
R0824	0662057A65	4k7 1/16W 5%
R0825	0662057A49	1k 1/16W 5%
R0831	0662057B22	1M 1/16W 5%
R0832	0662057A57	2k2 1/16W 5%

Circuit Ref	Motorola Part No	Description
R0973	0662057B24	1.2M 1/16W 5%
R0974	0662057B28	1.8M 1/16W 5%
R0975	0662057G29	200k 0.1W 1%
R0976	0662057G13	100k 0.1W 1%
*U0831	5113802A24	IC 68HC11 W/SCI,SPI,A/D
U0832	5113815A02	MC33064
U0833	48860061B01	UNDER VLTG SENSING CER RESONATOR 8MHZ CSTCC8.00MG
U0834	5185963A15	TEMP SENSOR 1M5
U0931	5113818A03	IC HIGH PERFORMANCE SI
U0971	5186158B01	LCD DRIVER SED1526F0A
VR0812	4813830A15	DIODE 5.6V 5% 225mW
VR0816	4805656W09	DIODE ZENER QUAD MMQA20VT1
VR0817	4805656W09	DIODE ZENER QUAD MMQA20VT1
VR0821	4813830A23	DIODE 10V 5% 20mA 350mW
VR0822	4813830A15	DIODE 5.6V 5% 225mW

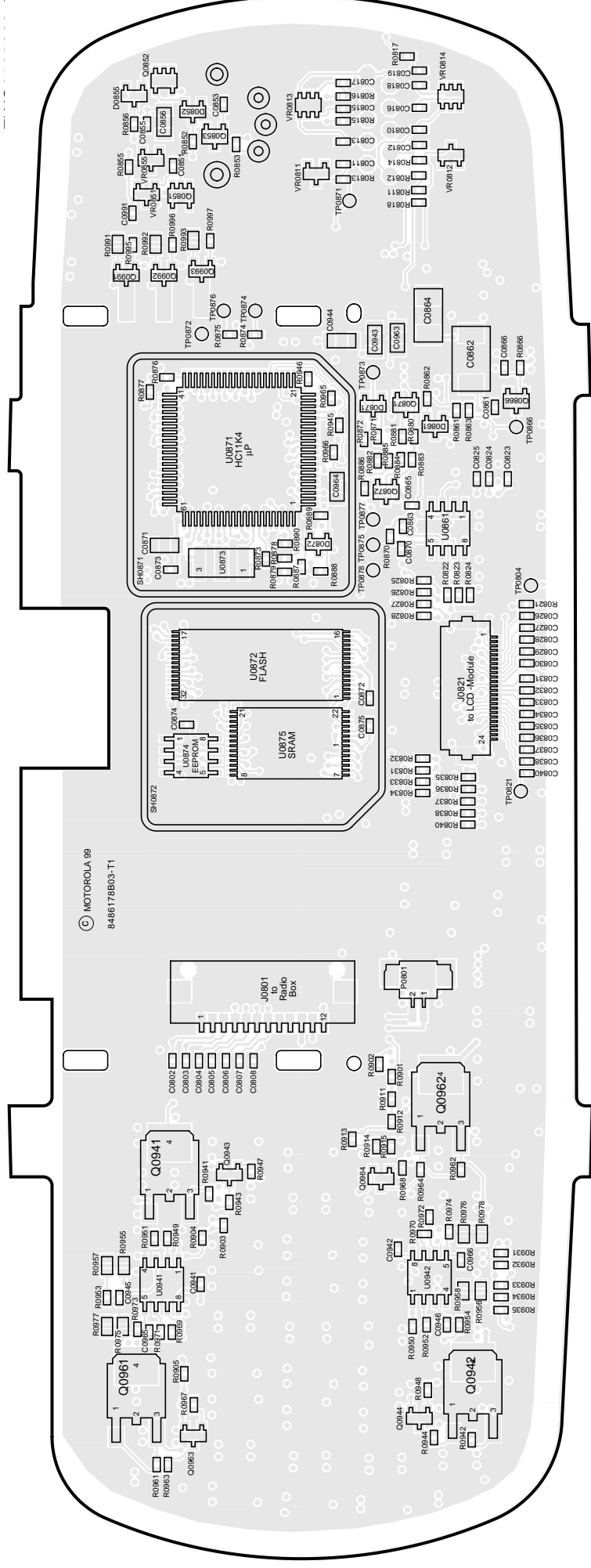
* Motorola Depot Servicing only

Reference designators with an asterisk indicate components which are not fieldreplaceable because they need to be calibrated with specialized factory equipment after installation. Radios in which these parts have been replaced in the field will be off frequency at temperature extremes.

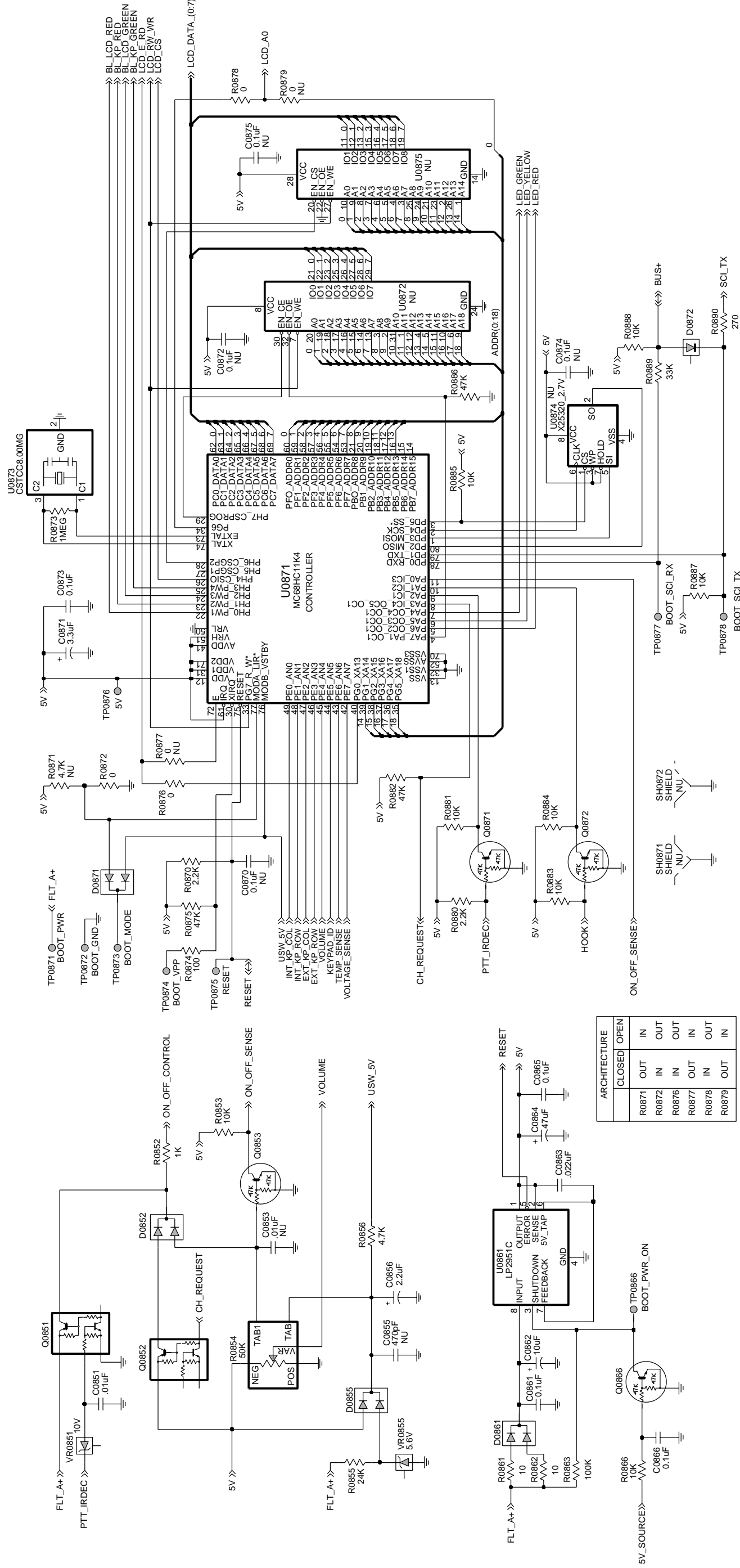
4.0 Controlhead GM398 - PCB 8486178B03 / Schematics



ZWG0130368-A Top Side

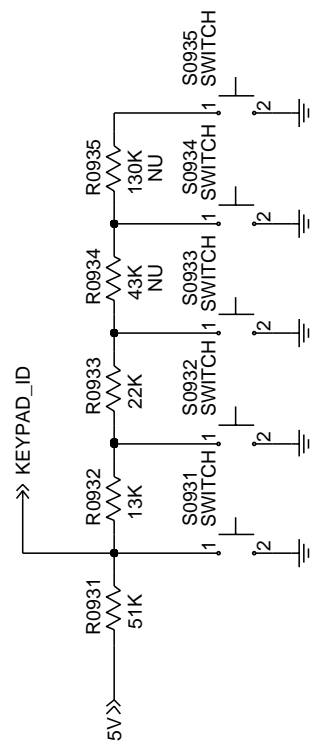
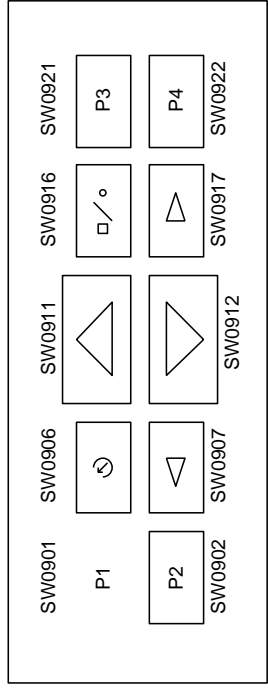
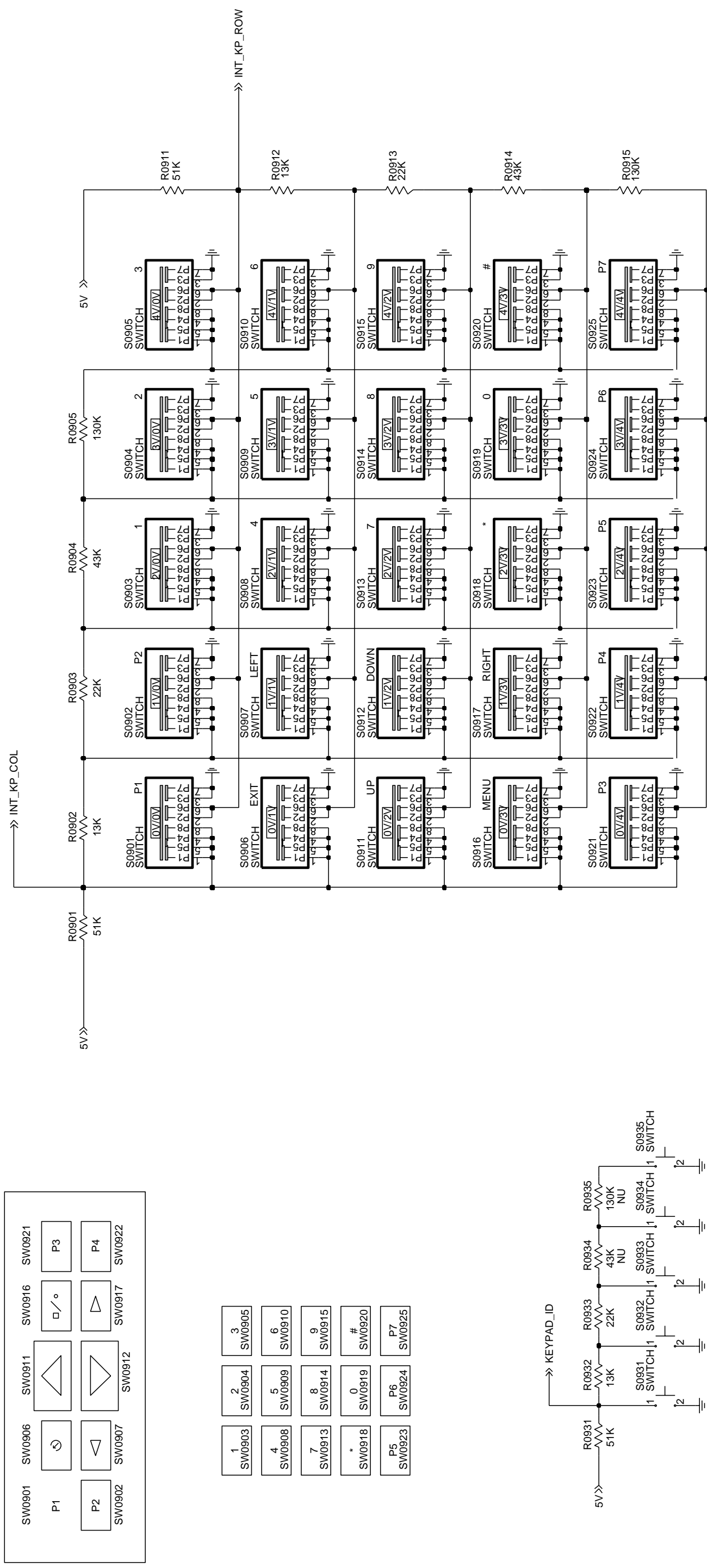


ZWG0130369-B Bottom Side

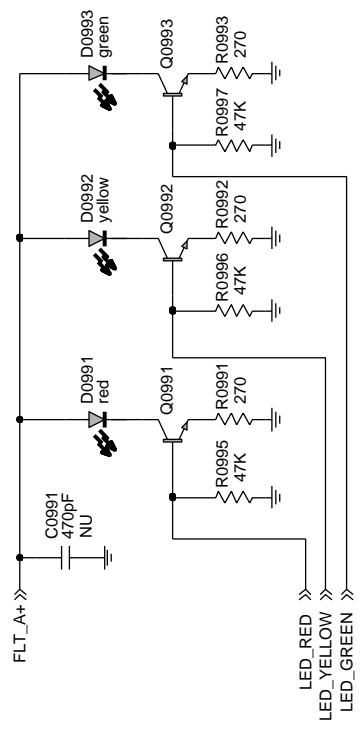
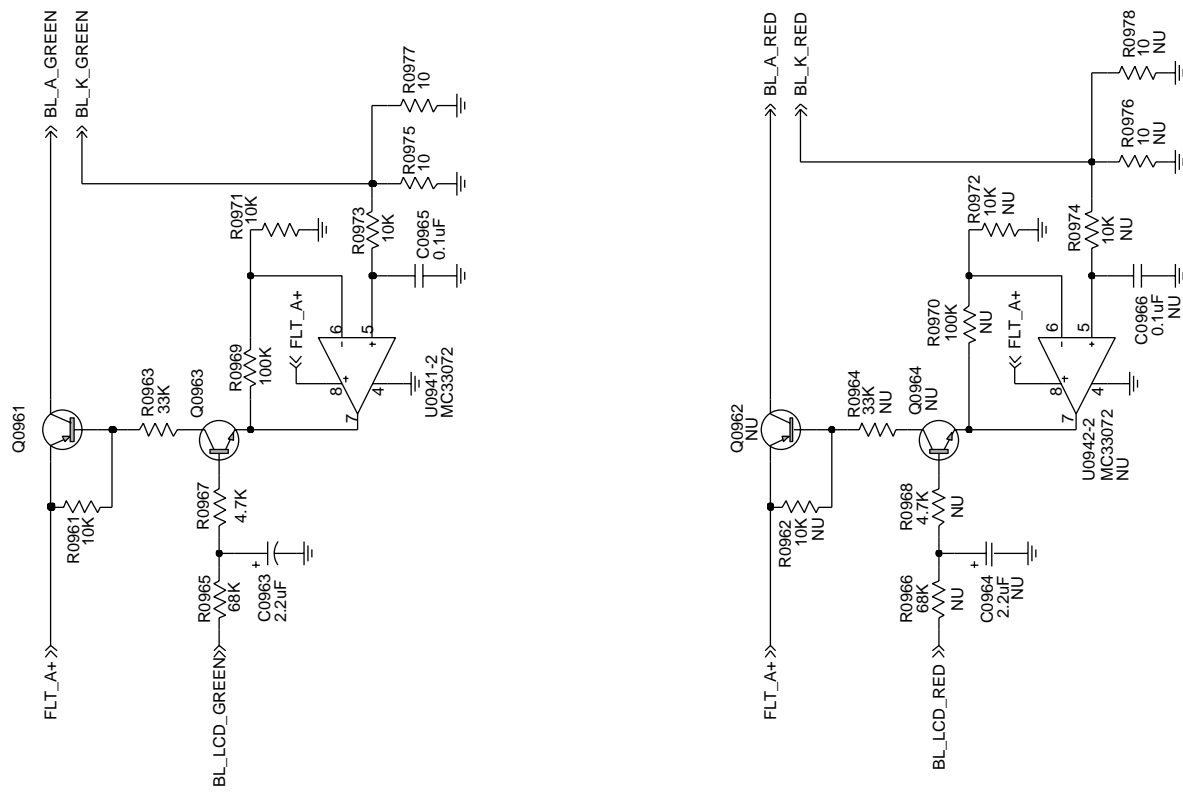
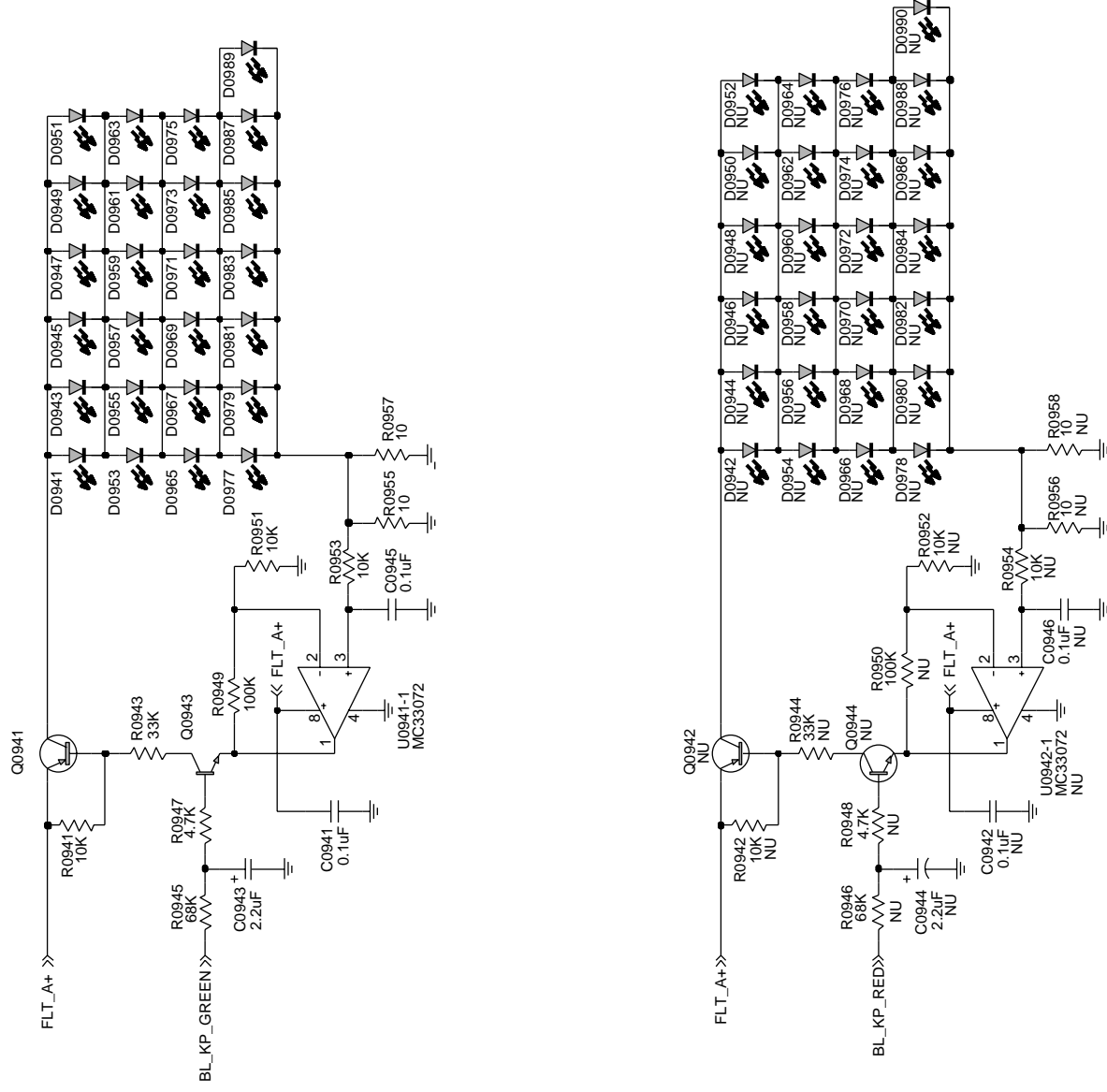


ARCHITECTURE		CLOSED	OPEN
R0871	OUT	IN	OUT
R0872	IN	IN	OUT
R0876	IN	IN	OUT
R0877	IN	IN	OUT
R0878	IN	IN	OUT
R0879	OUT	IN	IN

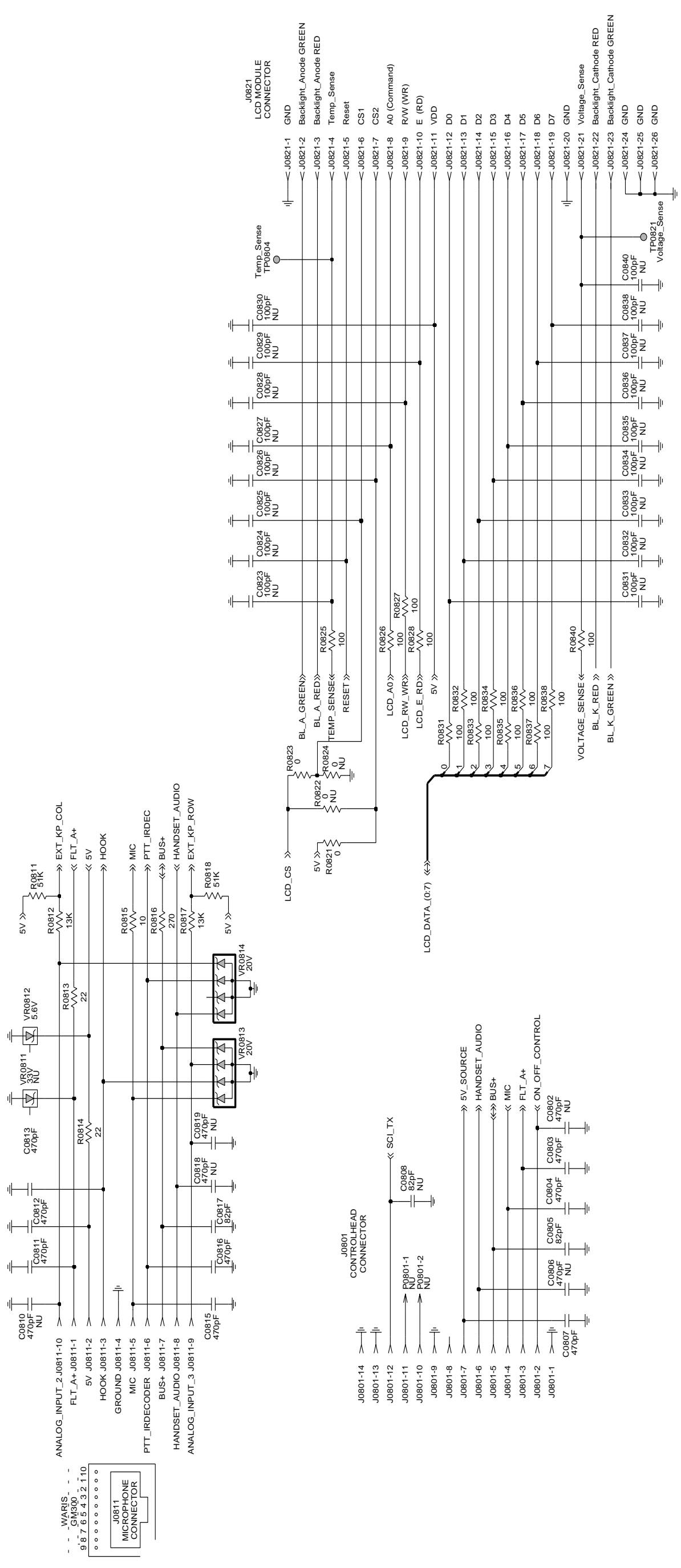
ZWG0130370-A



ZWG0130371-A



ZWG0130372-A



ZWG0130373-A

Controlhead PCB 8486178B03 Parts List

Circuit Ref	Motorola Part No	Description
C0803	2113741F17	470pF 50V
C0804	2113741F17	470pF 50V
C0805	2113740F49	82pF 5% 50V
C0807	2113741F17	470pF 50V
C0811	2113741F17	470pF 50V
C0812	2113741F17	470pF 50V
C0813	2113741F17	470pF 50V
C0815	2113741F17	470pF 50V
C0816	2113741F17	470pF 50V
C0817	2113740F49	82pF 5% 50V
C0851	2113741F49	10nF 50V
C0856	2311049A40	TANT CP 2.2uF 10% 10V
C0861	2113743E20	100nF 16V
C0862	2311049A45	TANT CP 10uF 10% 35V
C0863	2113743E07	22nF 16V
C0864	2311049A99	TANT CP 47uF 20% 10V
C0865	2113743E20	100nF 16V
C0866	2113743E20	100nF 16V
C0871	2311049A42	TANT CP 3.3uF 10% 6V
C0873	2113743E20	100nF 16V
C0941	2113743E20	100nF 16V
C0942	2113743E20	100nF 16V
C0943	2311049A40	TANT CP 2.2uF 10% 10V
C0944	2311049A40	TANT CP 2.2uF 10% 10V
C0945	2113743E20	100nF 16V
C0946	2113743E20	100nF 16V
C0963	2311049A40	TANT CP 2.2uF 10% 10V
C0964	2311049A40	TANT CP 2.2uF 10% 10V
C0965	2113743E20	100nF 16V
C0966	2113743E20	100nF 16V
D0852	4813833C02	DUAL SOT MMBD6100
D0855	4813833C02	DUAL SOT MMBD6100
D0861	4813833C02	DUAL SOT MMBD6100
D0871	4813833C02	DUAL SOT MMBD6100
D0872	4880236E05	DIODECHIP SCHOTTKY
D0941	4886171B04	LED GREEN
D0942	4886171B01	LED RED
D0943	4886171B04	LED GREEN
D0944	4886171B01	LED RED
D0945	4886171B04	LED GREEN
D0946	4886171B01	LED RED
D0947	4886171B04	LED GREEN
D0948	4886171B01	LED RED
D0949	4886171B04	LED GREEN
D0950	4886171B01	LED RED
D0951	4886171B04	LED GREEN
D0952	4886171B01	LED RED
D0953	4886171B04	LED GREEN

Circuit Ref	Motorola Part No	Description
D0954	4886171B01	LED RED
D0955	4886171B04	LED GREEN
D0956	4886171B01	LED RED
D0957	4886171B04	LED GREEN
D0958	4886171B01	LED RED
D0959	4886171B04	LED GREEN
D0960	4886171B01	LED RED
D0961	4886171B04	LED GREEN
D0962	4886171B01	LED RED
D0963	4886171B04	LED GREEN
D0964	4886171B01	LED RED
D0965	4886171B04	LED GREEN
D0966	4886171B01	LED RED
D0967	4886171B04	LED GREEN
D0968	4886171B01	LED RED
D0969	4886171B04	LED GREEN
D0970	4886171B01	LED RED
D0971	4886171B04	LED GREEN
D0972	4886171B01	LED RED
D0973	4886171B04	LED GREEN
D0974	4886171B01	LED RED
D0975	4886171B04	LED GREEN
D0976	4886171B01	LED RED
D0977	4886171B04	LED GREEN
D0978	4886171B01	LED RED
D0979	4886171B04	LED GREEN
D0980	4886171B01	LED RED
D0981	4886171B04	LED GREEN
D0982	4886171B01	LED RED
D0983	4886171B04	LED GREEN
D0984	4886171B01	LED RED
D0985	4886171B04	LED GREEN
D0986	4886171B01	LED RED
D0987	4886171B04	LED GREEN
D0988	4886171B01	LED RED
D0989	4886171B04	LED GREEN
D0990	4886171B01	LED RED
D0991	4886171B04	LED GREEN
D0992	4886171B03	LED YELLOW
D0993	4886171B04	LED GREEN
J0801	0902636Y02	CONN FLEX 12 PIN
J0811	2864287B01	CONN TELCO 10 PIN JACK
J0821	0986197B01	CONN ZIF HOR 24PIN
P0801	2809926G01	CONN1.25MM 2PIN SUR MT
Q0851	4805921T02	DUAL ROHM FMC2 RH
Q0852	4805921T02	DUAL ROHM FMC2 RH
Q0853	4880048M01	NPN DIG 47k/47k
Q0866	4880048M01	NPN DIG 47k/47k
Q0871	4880048M01	NPN DIG 47k/47k
Q0872	4880048M01	NPN DIG 47k/47k
Q0941	4813822A08	PNP 25V 5A MJD210T4

Circuit Ref	Motorola Part No	Description
Q0942	4813822A08	PNP 25V 5A MJD210T4
Q0943	4813824A10	NPN 40V .2A B=50-150
Q0944	4813824A10	NPN 40V .2A B=50-150
Q0961	4813822A08	PNP 25V 5A MJD210T4
Q0962	4813822A08	PNP 25V 5A MJD210T4
Q0963	4813824A10	NPN 40V .2A B=50-150
Q0964	4813824A10	NPN 40V .2A B=50-150
Q0991	4813824A10	NPN 40V .2A B=50-150
Q0992	4813824A10	NPN 40V .2A B=50-150
Q0993	4813824A10	NPN 40V .2A B=50-150
R0811	0662057A90	51k 1/16W 5%
R0812	0662057A76	13k 1/16W 5%
R0813	0662057A09	22 1/16W 5%
R0814	0662057A09	22 1/16W 5%
R0815	0662057A01	10 1/16W 5%
R0816	0662057A35	270 1/16W 5%
R0817	0662057A76	13k 1/16W 5%
R0818	0662057A90	51k 1/16W 5%
R0821	0662057B47	0 1/16W
R0823	0662057B47	0 1/16W
R0825	0662057A25	100 1/16W 5%
R0826	0662057A25	100 1/16W 5%
R0827	0662057A25	100 1/16W 5%
R0828	0662057A25	100 1/16W 5%
R0831	0662057A25	100 1/16W 5%
R0832	0662057A25	100 1/16W 5%
R0833	0662057A25	100 1/16W 5%
R0834	0662057A25	100 1/16W 5%
R0835	0662057A25	100 1/16W 5%
R0836	0662057A25	100 1/16W 5%
R0837	0662057A25	100 1/16W 5%
R0838	0662057A25	100 1/16W 5%
R0840	0662057A25	100 1/16W 5%
R0852	0662057A49	1k 1/16W 5%
R0853	0662057A73	10k 1/16W 5%
R0854	1805911V02	POT VOL
R0855	0662057A82	24K 1/16W 5%
R0856	0662057A65	4k7 1/16W 5%
R0861	0662057A01	10 1/16W 5%
R0862	0662057A01	10 1/16W 5%
R0863	0662057A97	100k 1/16W
R0866	0662057A73	10k 1/16W 5%
R0870	0662057A57	2k2 1/16W 5%
R0872	0662057B47	0 1/16W
R0873	0662057B22	1M 1/16W 5%
R0874	0662057A25	100 1/16W 5%
R0875	0662057A89	47k 1/16W 5%
R0876	0662057B47	0 1/16W
R0878	0662057B47	0 1/16W
R0880	0662057A57	2k2 1/16W 5%
R0881	0662057A73	10k 1/16W 5%

Circuit Ref	Motorola Part No	Description
R0882	0662057A89	47k 1/16W 5%
R0883	0662057A73	10k 1/16W 5%
R0884	0662057A73	10k 1/16W 5%
R0885	0662057A73	10k 1/16W 5%
R0886	0662057A89	47k 1/16W 5%
R0887	0662057A73	10k 1/16W 5%
R0888	0662057A73	10k 1/16W 5%
R0889	0662057A85	33k 1/16W 5%
R0890	0662057A35	270 1/16W 5%
R0901	0662057A90	51k 1/16W 5%
R0902	0662057A76	13k 1/16W 5%
R0903	0662057A81	22k 1/16W 5%
R0904	0662057A88	43k 1/16W 5%
R0905	0662057B01	130K 1/16W 5%
R0911	0662057A90	51k 1/16W 5%
R0912	0662057A76	13k 1/16W 5%
R0913	0662057A81	22k 1/16W 5%
R0914	0662057A88	43k 1/16W 5%
R0915	0662057B01	130K 1/16W 5%
R0931	0662057A90	51k 1/16W 5%
R0932	0662057A76	13k 1/16W 5%
R0933	0662057A81	22k 1/16W 5%
R0941	0662057A73	10k 1/16W 5%
R0942	0662057A73	10k 1/16W 5%
R0943	0662057A85	33k 1/16W 5%
R0944	0662057A85	33k 1/16W 5%
R0945	0662057A93	68k 1/16W 5%
R0946	0662057A65	68k 1/16W 5%
R0947	0662057A65	4k7 1/16W 5%
R0948	0662057A65	4k7 1/16W 5%
R0949	0662057A97	100k 1/16W
R0950	0662057A97	100k 1/16W
R0951	0662057A73	10k 1/16W 5%
R0952	0662057A73	10k 1/16W 5%
R0953	0662057A73	10k 1/16W 5%
R0954	0662057A73	10k 1/16W 5%
R0955	0660076A01	10 5 1/8
R0956	0660076A01	10 5 1/8
R0957	0660076A01	10 5 1/8
R0958	0660076A01	10 5 1/8
R0961	0662057A73	10k 1/16W 5%
R0962	0662057A73	10k 1/16W 5%
R0963	0662057A85	33k 1/16W 5%
R0964	0662057A85	33k 1/16W 5%
R0965	0662057A93	68k 1/16W 5%
R0966	0662057A93	68k 1/16W 5%
R0967	0662057A65	4k7 1/16W 5%
R0968	0662057A65	4k7 1/16W 5%
R0969	0662057A97	100k 1/16W
R0970	0662057A97	100k 1/16W
R0971	0662057A73	10k 1/16W 5%

Circuit Ref	Motorola Part No	Description
R0972	0662057A73	10k 1/16W 5%
R0973	0662057A73	10k 1/16W 5%
R0974	0662057A73	10k 1/16W 5%
R0975	0660076A01	10 5 1/8
R0976	0660076A01	10 5 1/8
R0977	0660076A01	10 5 1/8
R0978	0660076A01	10 5 1/8
R0991	0660076A35	270 5 1/8
R0992	0660076A35	270 5 1/8
R0993	0660076A35	270 5 1/8
R0995	0662057A89	47k 1/16W 5%
R0996	0662057A89	47k 1/16W 5%
R0997	0662057A89	47k 1/16W 5%
U0861	5105469E65	IC VLTG REGLTR LP2951C
*U0871	5113802A32	68HC11 W/SCI SPI A/D
U0873	4886061B01	CER RESONATOR 8MHZ
U0941	5113818A03	IC HIGH PERFORMANCE SI
U0942	5113818A03	IC HIGH PERFORMANCE SI
VR0812	4813830A15	DIODE 5.6V 5% 225mW
VR0813	4805656W09	ZENER QUAD MMQA20VT1
VR0814	4805656W09	ZENER QUAD MMQA20VT1
VR0851	4813830A23	DIODE 10V 5% 20mA 350mW
VR0855	4813830A15	DIODE 5.6V 5% 225mW

* Motorola Depot Servicing only

Reference designators with an asterisk indicate components which are not fieldreplaceable because they need to be calibrated with specialized factory equipment after installation. Radios in which these parts have been replaced in the field will be off frequency at temperature extremes.

THIS PAGE INTENTIONALLY LEFT BLANK



GM328/GM338/GM398

Mobile Radios

Controller

Service Information

Computer Software Copyrights

The Motorola products described in this manual may include copyrighted Motorola computer programs stored in semiconductor memories or other media. Laws in the United States and other countries preserve for Motorola certain exclusive rights for copyrighted computer programs, including the exclusive right to copy or reproduce in any form, the copyrighted computer program. Accordingly, any copyrighted Motorola computer programs contained in the Motorola products described in this manual may not be copied or reproduced in any manner without the express written permission of Motorola. Furthermore, the purchase of Motorola products shall not be deemed to grant, either directly or by implication, estoppel or otherwise, any license under the copyrights, patents or patent applications of Motorola, except for the normal non-exclusive royalty-free license to use that arises by operation of law in the sale of a product.

Table of Contents

Section 1 Theory of Operation

1.0	Controller Circuits	1-1
1.1	Overview.....	1-1
1.2	General.....	1-1
1.3	Radio Power Distribution.....	1-2
1.4	Electronic ON/OFF	1-4
1.5	Emergency	1-4
1.6	Mechanical ON/OFF.....	1-5
1.7	Ignition	1-5
1.8	Microprocessor Clock Synthesizer	1-5
1.9	Serial Peripheral Interface (SPI).....	1-6
1.10	SBEP Serial Interface.....	1-7
1.11	General Purpose Input/Output.....	1-7
1.12	Normal Microprocessor Operation.....	1-8
1.13	FLASH Electronically Erasable Programmable Memory(FLASH EEPROM).....	1-10
1.14	Electrically Erasable Programmable Memory (EEPROM).....	1-10
1.15	Static Random Access Memory (SRAM).....	1-10
2.0	Controller Board Audio and Signalling Circuits	1-11
2.1	General - Audio Signalling Filter IC with Compander (ASFIC CMP)	1-11
2.2	Transmit Audio Circuits	1-11
2.3	Transmit Signalling Circuits	1-14
2.4	Receive Audio Circuits	1-16
2.5	Receive Signalling Circuits	1-19
2.6	Voice Storage (optional).....	1-20

Section 2 Troubleshooting Charts

1.0	Controller Troubleshooting Chart.....	2-1
-----	---------------------------------------	-----

Section 3 **Controller Schematics / Parts Lists**

1.0	Allocation of Schematics and Circuit Boards	3-1
1.1	Controller Circuits	3-1
1.2	Voice Storage Facility	3-1
2.0	Controller T5 / Schematic Diagrams	3-3
	Controller T5 Schematic Diagram - Controller Overall	3-3
	Controller T5 Schematic Diagram - Supply Voltage	3-4
	Controller T5 Schematic Diagram - Audio	3-5
	Controller T5 Schematic Diagram - I/O	3-6
	Controller T5 Schematic Diagram - Microprocessor	3-7
	Controller T5 Schematic Diagram - Voice Storage	3-8
2.1	Controller T5 Parts List	3-9
3.0	Controller T7/T9 Schematic Diagrams	3-12
	Controller T7/T9 Schematic Diagram - Overall	3-12
	Controller T7/T9 Schematic Diagram - Supply Voltage	3-13
	Controller T7/T9 Schematic Diagram - Audio	3-14
	Controller T7 only Schematic Diagram - I/O	3-15
	Controller T9 only Schematic Diagram - I/O	3-16
	Controller T7 only Schematic Diagram - Microprocessor	3-17
	Controller T9 only Schematic Diagram - Microprocessor	3-18
	Controller T7/T9 Schematic Diagram - Voice Storage	3-19
3.1	Controller T7 Parts List	3-20
3.2	Controller T9 Parts List	3-23

Section 1

THEORY OF OPERATION

1.0 Controller Circuits

1.1 Overview

This section provides a detailed theory of operation for the radio and its components. The main radio is a single board design, consisting of the transmitter, receiver, and controller circuits. The main board is designed to accept one additional option board. This may provide functions such as secure voice/data, voice storage or signalling decoder.

A controlhead is either mounted directly or connected by an extension cable. The controlhead contains, LED indicators, a microphone connector, buttons and dependant of the radio type, a display and a speaker. These provide the user with interface control over the various features of the radio.

If no controlhead is mounted directly on the front of the radio, an expansion board containing circuitry for special applications can be mounted on the front of the radio. An additional controlhead can be connected by an extension cable.

In addition to the power cable and antenna cable, an accessory cable can be attached to a connector on the rear of the radio. The accessory cable provides the necessary connections for items such as external speaker, emergency switch, foot operated PTT, and ignition sensing, etc.

1.2 General

The radio controller consists of 3 main subsections:

- Digital Control
- Audio Processing
- Voltage Regulation.

The digital control section of the radio is based upon an open architecture controller configuration. It consists of a microprocessor, support memory, support logic, signal MUX ICs, the On/Off circuit, and general purpose Input/Output circuitry.

The controller uses the Motorola 68HC11FL0 microprocessor (U0101). In addition to the microprocessor, the controller has 3 external memory devices. The 3 memory devices consist of a 32KByte SRAM (U0122), a 512KByte FLASH EEPROM (U0121), and a 16KByte EEPROM (U0111).

Note: From this point on the 68HC11FL0 microprocessor will be referred to as μ P. References to a controlhead will be to the controlheads with display.

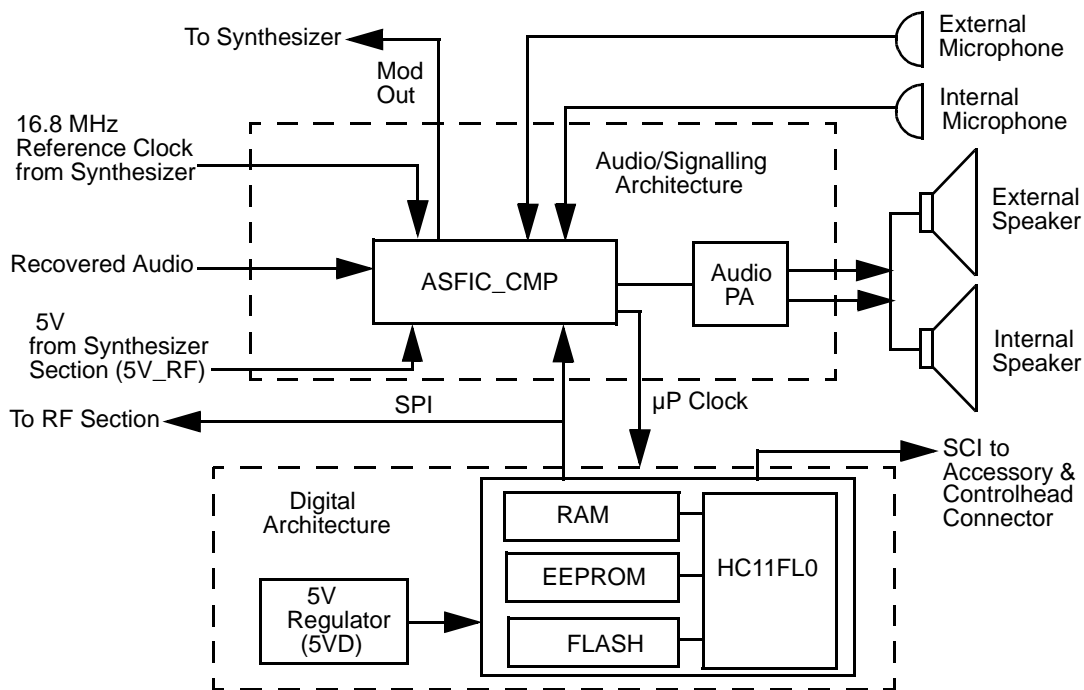


Figure 1-1 Controller Block Diagram

1.3 Radio Power Distribution

The DC power distribution throughout the radio board is shown in Figure 1-2. Voltage regulation for the controller is provided by 4 separate devices; U0651 (MC78M05) +5V, U0641 (LM2941) +9.3V, U0611 (LM2941) SWB+ limited to 16.5V and VSTBY 5V (a combination of R0621 and VR0621). An additional 5V regulator is located on the RF section.

The DC voltage applied to connector J0601 supplies power directly to the electronic on/off control, RF power amplifier, 16.5V limiter, 9.3V regulator, Audio PA and 5.6V stabilization circuit. The 9.3V regulator (U0641) supplies power to the 5V regulator (U0651) and the 6V voltage divider Q0681.

Regulator U0641 is used to generate the 9.3 volts required by some audio circuits, the RF circuitry and power control circuitry. Input and output capacitors (C0641 and C0644 / C0645) are used to reduce high frequency noise. R0642 / R0643 set the output voltage of the regulator. If the voltage at pin 1 is greater than 1.3 volts the regulator output decreases and if the voltage is less than 1.3 volts the regulator output increases. This regulator output is electronically enabled by a 0 volt signal on pin 2. Q0661, Q0641 and R0641 are used to disable the regulator when the radio is turned off.

Voltage regulation providing 5V for the digital circuitry is done by U0651. Operating voltage is from the regulated 9.3V supply. Input and output capacitors (C0651 / C0652 and C0654 / C0655) are used to reduce high frequency noise and provide proper operation during battery transients. Voltage sense device U0652 or alternatively U0653 provides a reset output that goes to 0 volts if the regulator output goes below 4.5 volts. This is used to reset the controller to prevent improper operation. Diode D0651 prevents discharge of C0652 by negative spikes on the 9V3 voltage.

Transistor Q0681 and resistors R0681 / R0682 divide the regulated 9.3V down to about 6 volts. This voltage supplies the 5V regulator, located on the RF section. By reducing the supply voltage of the regulator, the power dissipation is divided between the RF section and the controller section.

The voltage VSTBY, which is derived directly from the supply voltage by components R0621 and VR0621, is used to buffer the internal RAM. C0622 allows the battery voltage to be disconnected for a couple of seconds without losing RAM parameters. Dual diode D0621 prevents radio circuitry from discharging this capacitor. When the supply voltage is applied to the radio, C0622 is charged via R0621 and D0621. To avoid that the μ P enters the wrong mode when the radio is switched on while the voltage across C0622 is still too low, the regulated 5V charges C0622 via diode D0621.

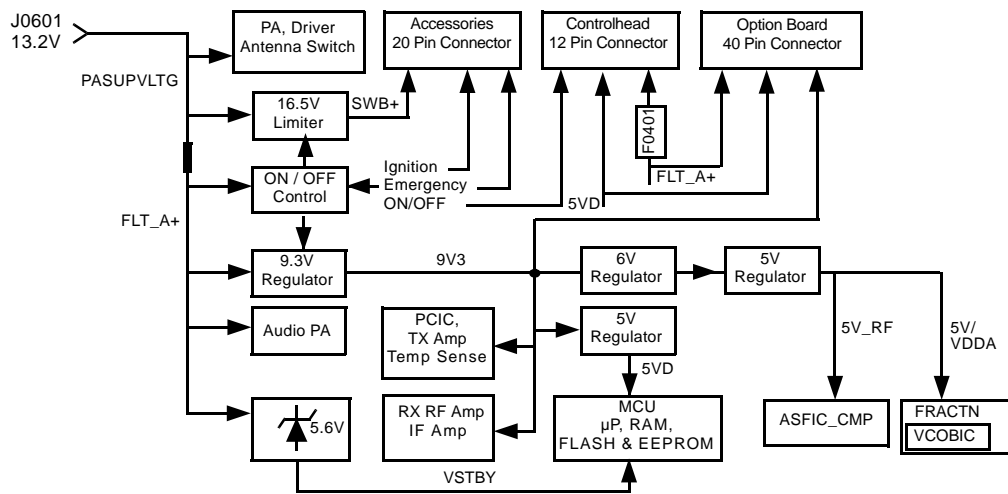


Figure 1-2 DC Power Distribution Block Diagram

The voltage INT SW B+ from switching transistor Q0661 provides power to the circuit controlling the audio PA output. The voltage INT SW B+ voltage is monitored by the μ P through voltage divider R0671 / R0672 and line BATTERY VOLTAGE. Diode VR0671 limits the divided voltage to 5.6V to protect the μ P.

Regulator U0611 is used to generate the voltage for the switched supply voltage output (SWB+) at the accessory connector J0501 pin 13. U0611 is configured to operate as a switch with voltage and current limit. R0611 / R0612 set the maximum output voltage to 16.5 volts. This limitation is only active at high supply voltage levels. The regulator output is electronically enabled by a 0 volt signal on pin 2. Q0661, Q0641 and R0641 are used to disable the regulator when the radio is turned off. Input and output capacitors (C0603 and C0611 / C0612) are used to reduce high frequency noise.

Diode VR0601 acts as protection against transients and wrong polarity of the supply voltage.

Fuse F0401 prevents damage of the board in case the FLT A+ line is shorted at the controlhead connector.

1.4 Electronic ON/OFF

The radio has circuitry which allows radio software and/or external triggers to turn the radio on or off without direct user action. For example, automatic turn on when ignition is sensed and off when ignition is off.

Q0661 is used to provide INT SW B+ to the various radio circuits and to enable the voltage regulators via transistor Q0641. Q0661 contains an pnp and an npn transistor and acts as an electronic on/off switch. The switch is on when the collector of the npn transistor within Q0661 is low. When the radio is off the collector is at supply voltage level. This effectively prevents current flow from emitter to collector of the pnp transistor. When the radio is turned on the voltage at the base of the npn transistor is pulled high and the pnp transistor switches on (saturation). With voltage INT SWB+ now at supply voltage level, transistor Q0641 pulls pin 2 of the voltage regulators U0611 and U 0641 to ground level and thereby enables their outputs.

The electronic on/off circuitry can be enabled by the microprocessor (through ASFIC CMP port GCB2, line DC POWER ON), the emergency switch (line EMERGENCY CONTROL), the mechanical On/Off/Volume knob on the controlhead (line ON OFF CONTROL), or the ignition sense circuitry (line IGNITION CONTROL). If any of the 4 paths cause a low at the collector of the npn transistor within Q0661, the electronic "ON" is engaged.

1.5 Emergency

The emergency switch (J0501 pin 9), when engaged, grounds the base of Q0662 via line EMERGENCY CONTROL. This switches Q0662 off and resistor R0662 pulls the collector of Q0662 and the base of Q0663 to levels above 2 volts. Transistor Q0663 switches on and pulls the collector of the npn transistor within Q0661 to ground level and thereby enables the voltage regulators via Q0641. When the emergency switch is released R0541 pulls the base of Q0662 up to 0.6 volts. This causes the collector of transistor Q0662 to go low (0.2V), thereby switching Q0663 off.

While the radio is switched on, the microprocessor monitors the voltage at the emergency input on the accessory connector via pin 60 and line GP5 IN ACC9. Three different conditions are distinguished, no emergency, emergency, and open connection to the emergency switch. If no emergency switch is connected or the connection to the emergency switch is broken, the resistive divider R0541 / R0512 will set the voltage to about 4.7 volts. If an emergency switch is connected, a resistor to ground within the emergency switch will reduce the voltage on line GP5 IN ACC9 to inform the microprocessor that the emergency switch is operational. An engaged emergency switch pulls line GP5 IN ACC9 to ground level. Diode D0179 limits the voltage to protect the microprocessor input.

While EMERGENCY CONTROL is low, INT SW B+ is on, the microprocessor starts execution, reads that the emergency input is active through the voltage level of line GP5 IN ACC9, and sets the DC POWER ON output of the ASFIC CMP pin 13 to a logic high. This high will keep Q0661 and Q0641 switched on. This operation allows a momentary press of the emergency switch to power up the radio. When the microprocessor has finished processing the emergency press, it sets the DC POWER ON line to a logic 0. This turns off Q0661 and the radio turns off. Notice that the microprocessor is alerted to the emergency condition via line GP5 IN ACC9. If the radio was already on when emergency was triggered then DC POWER ON would already be high.

1.6 Mechanical ON/OFF

This refers to the typical On/Off/Volume knob, located on the controlhead, and which turns the radio on and off.

If the radio is turned off and the On/Off/Volume knob is pressed, line ON OFF CONTROL (J0401 pin 11) goes high and switches the radio's voltage regulators on as long as the button is pressed. The microprocessor is alerted through line ON OFF SENSE (U0101 pin 6) which is pulled to low by Q0110 while the On/Off /Volume knob is pressed. In addition, an interrupt is generated at μ P pin 96. The μ P asserts line DC POWER ON via ASFIC CMP, pin 13 high which keeps Q0661 and Q0641, and in turn the radio, switched on. When the On/Off/Volume knob is released again the controlhead informs the μ P via SBEP bus about the knob release. (See SBEP Serial Interface subsection for more details). This informs the μ P to keep the radio switched on and continue with normal operation. If the On/Off/Volume knob is pressed while the radio is on, the controlhead informs the μ P via SBEP bus about the knob status. (See SBEP Serial Interface subsection for more details). After a short delay time the microprocessor switches the radio off by setting DC POWER ON to low via ASFIC CMP pin 13.

1.7 Ignition

Ignition sense is used to prevent the radio from draining the vehicle's battery because the engine is not running.

When the IGNITION input (J0501 pin 10) goes above 5 volts Q0661 is turned on via line IGNITION CONTROL. Q0661 turns on INT SW B+ and the voltage regulators by turning on Q0641 and the microprocessor starts execution. The microprocessor is alerted through line GP6 IN ACC10. The voltage at the IGNITION input turns Q0181 on, which pulls microprocessor pin 74 to low. If the software detects a low state it asserts DC POWER ON via ASFIC pin 13 high which keeps Q0661 and Q0641, and in turn the radio switched on.

When the IGNITION input goes below 3 volts, Q0181 switches off and R0181 pulls microprocessor pin 74 to high. This alerts the software to switch off the radio by setting DC POWER ON to low. The next time the IGNITION input goes above 5 volts the above process will be repeated.

1.8 Microprocessor Clock Synthesizer

The clock source for the microprocessor system is generated by the ASFIC CMP (U0221). Upon power-up the synthesizer IC (FRAC-N) generates a 16.8 MHz waveform that is routed from the RF section to the ASFIC CMP pin 34. For the main board controller the ASFIC CMP uses 16.8 MHz as a reference input clock signal for its internal synthesizer. The ASFIC CMP, in addition to audio circuitry, has a programmable synthesizer which can generate a synthesized signal ranging from 1200Hz to 32.769MHz in 1200Hz steps.

When power is first applied, the ASFIC CMP will generate its default 3.6864MHz CMOS square wave UP CLK (on U0221 pin 28) and this is routed to the microprocessor (U0101 pin 90). After the microprocessor starts operation, it reprograms the ASFIC CMP clock synthesizer to a higher UP CLK frequency (usually 7.3728 or 14.7456 MHz) and continues operation.

The ASFIC CMP may be reprogrammed to change the clock synthesizer frequencies at various times depending on the software features that are executing. In addition, the clock frequency of the synthesizer is changed in small amounts if there is a possibility of harmonics of this clock source interfering with the desired radio receive frequency.

The ASFIC CMP synthesizer loop uses C0245, C0246 and R0241 to set the switching time and jitter of the clock output. If the synthesizer cannot generate the required clock frequency it will switch back to its default 3.6864MHz output.

Because the ASFIC CMP synthesizer and the μ P system will not operate without the 16.8 MHz reference clock it (and the voltage regulators) should be checked first in debugging the system.

The microprocessor uses XTAL Y0131 and associated components to form a Real Time Clock (RTC). It may be used to display the time on controlheads with display or as time stamp for incoming calls or messages. The real time clock is powered from the voltage VSTBY to keep it running while the radio is switched off. When the radio was disconnected from its supply voltage, the time must be set again.

1.9 Serial Peripheral Interface (SPI)

The μ P communicates to many of the ICs through its SPI port. This port consists of SPI TRANSMIT DATA (MOSI) (U0101-100), SPI RECEIVE DATA (MISO) (U0101-99), SPI CLK (U0101-1) and chip select lines going to the various ICs, connected on the SPI PORT (BUS). This BUS is a synchronous bus, in that the timing clock signal CLK is sent while SPI data (SPI TRANSMIT DATA or SPI RECEIVE DATA) is sent. Therefore, whenever there is activity on either SPI TRANSMIT DATA or SPI RECEIVE DATA there should be a uniform signal on CLK. The SPI TRANSMIT DATA is used to send serial from a μ P to a device, and SPI RECEIVE DATA is used to send data from a device to a μ P.

On the controller there are two ICs on the SPI BUS, ASFIC CMP (U0221-22), and EEPROM (U0111-5). In the RF sections there are 2 ICs on the SPI BUS, the FRAC-N Synthesizer, and the Power Control IC (PCIC). The SPI TRANSMIT DATA and CLK lines going to the RF section are filtered by L0481 / R0481 and L0482 / R0482 to minimize noise. The chip select line CSX from U0101 pin 2 is shared by the ASFIC CMP, FRAC-N Synthesizer and PCIC. Each of these ICs check the SPI data and when the sent address information matches the IC's address, the following data is processed. The chip select lines for the EEPROM (EE CS), Voice Storage (VS CS), expansion board (EXP1 CS, EXP2 CS) and option board (OPT CS) are decoded by the address decoder U0141.

When the μ P needs to program any of these ICs it brings the chip select line CSX to a logic 0 and then sends the proper data and clock signals. The amount of data sent to the various ICs are different, for example the ASFIC CMP can receive up to 19 bytes (152 bits) while the PCIC can receive up to 6 bytes (48 bits). After the data has been sent the chip select line is returned to logic 1.

The Option board interfaces are different in that the μ P can also read data back from devices connected. The timing and operation of this interface is specific to the option connected, but generally follows the pattern:

1. an option board device generates a service request via J0551-29, line RDY and μ P pin 79,
2. the main board asserts a chip select for that option board device via U0141-14, line OPT CS, J0551-30,
3. the main board μ P generates the CLK (J0551-3),
4. the main board μ P writes serial data via J0551-15 and reads serial data via J0551-16 and,
5. when data transfer is complete the main board terminates the chip select and CLK activity.

1.10 SBEP Serial Interface

The SBEP serial interface allows the radio to communicate with the Customer Programming Software (CPS), or the Universal Tuner via the Radio Interface Box (RIB). This interface connects to the microphone connector via controlhead connector (J0401-8) and to the accessory connector J0501-17 and comprises BUS+. The line is bidirectional, meaning that either the radio or the RIB can drive the line. The microprocessor sends serial data via pin 98 and D0101 and it reads serial data via pin 97. Whenever the microprocessor detects activity on the BUS+ line, it starts communication.

In addition, the SBEP serial interface is used to communicate with a connected controlhead. When a controlhead key is pressed or the volume knob is rotated, the line ON OFF CONTROL goes high. This turns on transistor Q0110 which pulls line ON OFF SENSE and μ P pin 6 to ground level. In addition, an interrupt is generated at μ P pin 96. This indicates that the controlhead wants to start SBEP communication. The microprocessor then requests the data from the controlhead. The controlhead starts sending and after all data has been send, the ON OFF CONTROL line goes low. The controlhead ignores any data on BUS+ during SBEP communication with the CPS or Universal Tuner.

1.11 General Purpose Input/Output

The controller provides eight general purpose lines (DIG1 through DIG8) available on the accessory connector J0501 to interface to external options. Lines DIG IN 1,3,5,6, are inputs, DIG OUT 2 is an output and DIG IN OUT 4,7,8 are bidirectional. The software and the hardware configuration of the radio model define the function of each port.

DIG IN 1 can be used as external PTT input, DATA PTT input or others, set by the CPS. The μ P reads this port via pin 77 and Q0171.

DIG OUT 2 can be used as normal output or external alarm output, set by the CPS. Transistor Q0173 is controlled by the μ P via ASFIC CMP pin 14.

DIG IN 3 is read by μ P pin 61 via resistor R0176

DIG IN 5 can be used as normal input or emergency input, set by the CPS. The μ P reads this port via R0179 and μ P pin 60. Diode D0179 limits the voltage to protect the μ P input.

DIG IN 6 can be used as normal input, set by the CPS. The μ P reads this port via pin 74 and Q0181.

DIG IN OUT 4,7,8 are bi-directional and use the same circuit configuration. Each port uses an output transistor Q0177, Q0183, Q0185 controlled by μ P pins 46, 47, 53. The ports are read by μ P pins 75, 54, 76. To use one of the ports as input the μ P must turn off the corresponding output transistor.

In addition the signals from DIG IN 1, DIG IN OUT 4 are fed to the option board connector J0551 and the expansion board connector J0451.

1.12 Normal Microprocessor Operation

For this radio, the μP is configured to operate in one of two modes, expanded and bootstrap. In expanded mode the μP uses external memory devices to operate, whereas in bootstrap operation the μP uses only its internal memory. In normal operation of the radio the μP is operating in expanded mode as described below.

In expanded mode on this radio, the μP (U0101) has access to 3 external memory devices; U0121 (FLASH EEPROM), U0122 (SRAM), U0111 (EEPROM). Also, within the μP there are 3 KBytes of internal RAM, as well as logic to select external memory devices.

The external EEPROM (U0111) space contains the information in the radio which is customer specific, referred to as the codeplug. This information consists of items such as: 1) what band the radio operates in, 2) what frequencies are assigned to what channel, and 3) tuning information. (See the particular device subsection for more details.)

The external SRAM (U0122) as well as the μP 's own internal RAM space are used for temporary calculations required by the software during execution. All of the data stored in both of these locations is lost when the radio powers off (See the particular device subsection for more details).

The FLASH EEPROM contains the actual Radio Operating Software. This software is common to all open architecture radios within a given model type. For example Trunking radios may have a different version of software in the FLASH EEPROM than a non Trunking radio (See the particular device subsection for more details).

The μP provides an address bus of 16 address lines (ADDR 0 - ADDR 15), and a data bus of 8 data lines (DATA 0 - DATA 7). There are also 3 control lines; CSPROG (U0101-38) to chip select U0121-30 (FLASH EEPROM), CSGP2 (U0101-41) to chip select U0122-20 (SRAM) and PG7 R W (U0101-4) to select whether to read or to write. The external EEPROM (U0111-1), the OPTION BOARD and EXPANSION BOARD are selected by 3 lines of the μP using address decoder U0141. The chips ASFIC CMP / FRAC-N / PCIC are selected by line CSX (U0101-2).

When the μP is functioning normally, the address and data lines should be toggling at CMOS logic levels. Specifically, the logic high levels should be between 4.8 and 5.0V, and the logic low levels should be between 0 and 0.2V. No other intermediate levels should be observed, and the rise and fall times should be $<30\text{ns}$.

The low-order address lines (ADDR 0 - ADDR 7) and the data lines (DATA 0-DATA 7) should be toggling at a high rate, e. g. , you should set your oscilloscope sweep to $1\mu\text{s}/\text{div}$. or faster to observe individual pulses. High speed CMOS transitions should also be observed on the μP control lines.

On the μP the lines XIRQ (U0101-48), MODA LIR (U0101-58), MODB VSTPY (U0101-57) and RESET (U0101-94) should be high at all times during normal operation. Whenever a data or address line becomes open or shorted to an adjacent line, a common symptom is that the RESET line goes low periodically, with the period being in the order of 20ms. In the case of shorted lines you may also detect the line periodically at an intermediate level, i.e. around 2.5V when 2 shorted lines attempt to drive to opposite rails.

The MODA LIR (U0101-58) and MODB VSTPY (U0101-57) inputs to the μP must be at a logic 1 for it to start executing correctly. After the μP starts execution it will periodically pulse these lines to determine the desired operating mode. While the Central Processing Unit (CPU) is running, MODA LIR is an open-drain CMOS output which goes low whenever the μP begins a new instruction (an instruction typically requires 2-4 external bus cycles, or memory fetches). However, since it is an open-drain output, the waveform rise assumes an exponential shape similar to an RC circuit.

There are 8 analogue to digital converter ports (A/D) on U0101. They are labelled within the device block as PE0-PE7. These lines sense the voltage level ranging from 0 to 5V of the input line and convert that level to a number ranging from 0 to 255 which can be read by the software to take appropriate action.

For example U0101-67 is the battery voltage detect line. R0671 and R0672 form a resistor divider on INT SWB+. With 30K and 10K and a voltage range of 11V to 17V, that A/D port would see 2.74V to 4.24V which would then be converted to ~140 to 217 respectively.

U0101-69 is the high reference voltage for the A/D ports on the μ P. Capacitor C0101 filters the +5V reference. If this voltage is lower than +5V the A/D readings will be incorrect. Likewise U0101-68 is the low reference for the A/D ports. This line is normally tied to ground. If this line is not connected to ground, the A/D readings will be incorrect.

1.13 FLASH Electronically Erasable Programmable Memory(FLASH EEPROM)

The 512KByte FLASH EEPROM (U0121) contains the radio's operating software. This software is common to all open architecture radios within a given model type. For example Trunking radios may have a different version of software in the FLASH EEPROM than a non Trunking radio. This is, as opposed to the codeplug information stored in EEPROM (U0111) which could be different from one user to another in the same company.

In normal operating mode, this memory is only read, not written to. The memory access signals (CE, OE and WE) are generated by the μ P.

To upgrade/reprogram the FLASH software, the μ P must be set in bootstrap operating mode. This is done by pulling microprocessor pins MODA LIR (U0101-58) and MODB VSTBY (U0101-57) to low during power up. When accessory connector pin 18 is at ground level, diode D0151 will pull both microprocessor pins to low. The same can be done by a level of 12 volts on line ON OFF CONTROL from the controlhead. Q0151 pulls diode D0151 and in turn both microprocessor pins to low. Diode VR0151 prevents entering bootstrap operating mode during normal power up.

In bootstrap operating mode the μ P controls the FLASH EN OE (U0121-32) input by μ P pin 86. Chip select (U0121-30) and read or write operation (U0121-7) are controlled by μ P pins 38 and 4.

The FLASH device may be reprogrammed 1,000 times without issue. It is not recommended to reprogram the FLASH device at a temperature below 0°C.

Capacitor C0121 serves to filter out any AC noise which may ride on +5V at U0121.

1.14 Electrically Erasable Programmable Memory (EEPROM)

The external 16 KByte EEPROM (U0111) contains additional radio operating parameters such as operating frequency and signalling features, commonly know as the codeplug. It is also used to store radio operating state parameters such as current mode and volume. This memory can be written to in excess of 100,000 times and will retain the data when power is removed from the radio. The memory access signals (SI, SO and SCK) are generated by the μ P and chip select (CS) is generated by address decoder U0141-15.

1.15 Static Random Access Memory (SRAM)

The SRAM (U0121) contains temporary radio calculations or parameters that can change very frequently, and which are generated and stored by the software during its normal operation. The information is lost when the radio is turned off.

The device allows an unlimited number of write cycles. SRAM accesses are indicated by the CS signal U0122-20 (which comes from U0101-CSGP2) going low. U0122 is commonly referred to as the external RAM as opposed to the internal RAM which is the 3 KBytes of RAM which is part of the 68HC11FL0. Both RAM spaces serve the purpose. However, the internal RAM is used for the calculated values which are accessed most often.

Capacitor C0122 serves to filter out any ac noise which may ride on +5V at U0122.

2.0 Controller Board Audio and Signalling Circuits

2.1 General - Audio Signalling Filter IC with Compander (ASFIC CMP)

The ASFIC CMP (U0221) used in the controller has 4 functions;

- 1) RX/TX audio shaping, i.e. filtering, amplification, attenuation
- 2) RX/TX signalling, PL/DPL/HST/MDC/MPT
- 3) Squelch detection
- 4) Microprocessor clock signal generation (see Microprocessor Clock Synthesizer Description).

The ASFIC CMP is programmable through the SPI BUS (U0221-20/21/22), normally receiving 19 bytes. This programming sets up various paths within the ASFIC CMP to route audio and/or signalling signals through the appropriate filtering, gain and attenuator blocks. The ASFIC CMP also has 6 General Control Bits GCB0-5 which are CMOS level outputs and used for NOISE BLANKER (GCB0) in Low Band radios, EXTERNAL ALARM (GCB1) and DC POWER ON (GCB2) to switch the voltage regulators (and the radio) on and off. GCB3 controls U0251 pin 11 to output either RX FLAT AUDIO or RX FILTERED AUDIO on the accessory connector pin 11. GCB4 controls U0251 pin 10 to use either the external microphone input or the voice storage playback signal. GCB5 is used to switch the audio PA on and off.

2.2 Transmit Audio Circuits

Refer to Figure 1-3 for reference for the following sections.

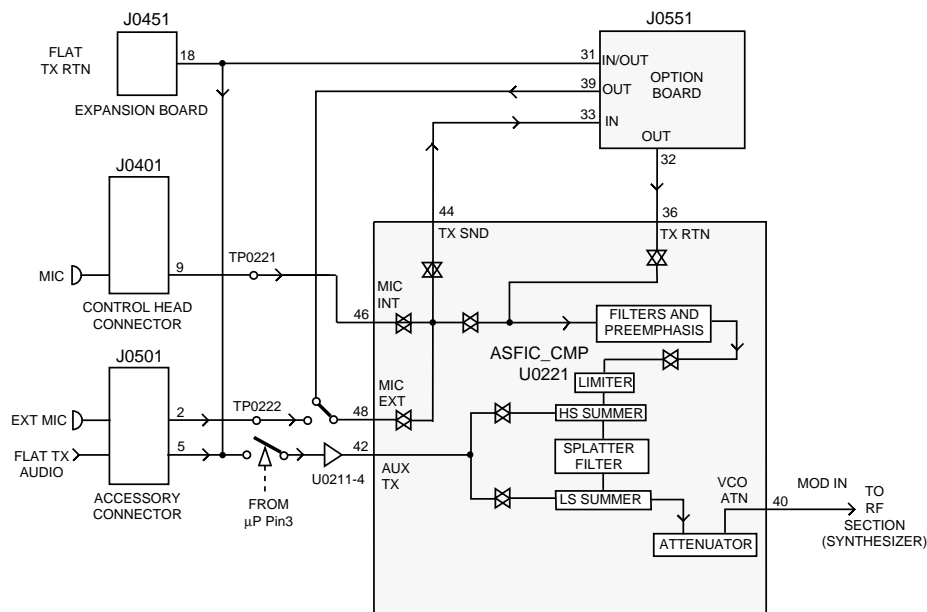


Figure 1-3 Transmit Audio Paths

2.2.1 Mic/Data Input Path

The radio supports 2 distinct microphone paths known as internal (from controlhead) and external mic (from accessory connector J0501-2) and an auxiliary path (FLAT TX AUDIO, from accessory connector J0501-5). The microphones used for the radio require a DC biasing voltage provided by a resistive network.

These two microphone audio input paths enter the ASFIC CMP at U0221-48 (external mic) and U0221-46 (internal mic). Following the internal mic path; the microphone is plugged into the radio controlhead and is connected to the controller board via J0401-9.

From here the signal is routed via R0409 and line INT MIC to R0205. R0201 and R0202 provide the 9.3VDC bias. Resistive divider R0205 / R0207 divide the input signal by 5.5 and provide input protection for the CMOS amplifier input. R0202 and C0201 provide a 560 ohm AC path to ground that sets the input impedance for the microphone and determines the gain based on the emitter resistor in the microphone's amplifier circuit.

C0204 serves as a DC blocking capacitor. The audio signal at U0221-46 (TP0221) should be approximately 14mV for 1.5kHz or 3kHz of deviation with 12.5kHz or 25kHz channel spacing.

The external microphone signal enters the radio on accessory connector J0501 pin 2 and is routed via line EXT MIC to R0206. R0203 and R0204 provide the 9.3VDC bias. Resistive divider R0206 / R0208 divide the input signal by 5.5 and provide input protection for the CMOS amplifier input. R0204 and C0202 provide a 560 ohm AC path to ground that sets the input impedance for the microphone and determines the gain based on the emitter resistor in the microphone's amplifier circuit.

C0254 serves as a DC blocking capacitor. Multi switch U0251 controlled by ASFIC CMP port GCB4 selects either the external microphone input signal or the voice storage playback signal for entering the ASFIC CMP at pin 48. The audio signal at U0221-48 (TP0222) should be approximately 14mV for 1.5kHz or 3kHz of deviation with 12.5kHz or 25kHz channel spacing.

The FLAT TX AUDIO path is used for transmitting data signals and has therefore no limiter or filters enabled inside the ASFIC CMP. When this path is enabled via CPS and DATA PTT is asserted, any signal on this path is directly fed to the modulator. Signals applied to this path either via accessory connector J0501, expansion board connector J0451 or option board connector J0551 must be filtered and set to the correct level externally or on the option board in order not to exceed the maximum specified transmit deviation and transmitted power in the adjacent channels. The attenuator inside the ASFIC CMP changes the FM deviation of the data signal according to the channel spacing of the active transmit channel.

The FLAT TX AUDIO signal from accessory connector J0501-5 is fed to the ASFIC CMP (U0221) pin 42 through C0541 and line FLAT TX RTN, switch U0251 and buffer U0211-4. When the radio switches from receive to transmit mode the μ P opens switch U0251 for a short period to prevent that any applied signal can cause a transmit frequency offset. Buffer U0211-4 sets the correct DC level and ensures a short settle period when the radio is switched on. Inside the ASFIC CMP the signal is routed directly to the attenuator, which sets the FM deviation according to the channel spacing of the active transmit channel and emerges from the ASFIC CMP at U0221-40, at which point it is routed to the RF section.

The ASFIC has an internal AGC that can control the gain in the mic audio path. The AGC can be disabled / enabled by the μ P. Another feature that can be enabled or disabled in the ASFIC is the VOX. This circuit, along with the capacitor at U0221-7, provides a DC voltage that can allow the μ P to detect microphone audio. The ASFIC can also be programmed to route the microphone audio to the speaker for public address operation.

2.2.2 PTT Sensing and TX Audio Processing

Microphone PTT coming from the controlhead is sent via SBEP bus to the microprocessor. An external PTT can be generated by grounding pin 3 on the accessory connector if this input is programmed for PTT by the CPS. When microphone PTT is sensed, the μ P will always configure the ASFIC CMP for the "internal" mic audio path, and external PTT will result in the external mic audio path being selected.

Inside the ASFIC CMP, the mic audio is filtered to eliminate frequency components outside the 300-3000Hz voice band, and pre-emphasized if pre-emphasis is enabled. The signal is then limited to prevent the transmitter from over deviating. The limited mic audio is then routed through a summer, which is used to add in signalling data, and then to a splatter filter to eliminate high frequency spectral components that could be generated by the limiter. The audio is then routed to an attenuator, which is tuned in the factory or the field to set the proper amount of FM deviation. The TX audio emerges from the ASFIC CMP at U0221-40 MOD IN, at which point it is routed to the RF section.

Dependent on the radio model, input pin 3 on the accessory connector can be programmed for DATA PTT by the CPS. When DATA PTT is sensed, the μ P will always configure the ASFIC CMP for the flat TX audio path. Limiter and any filtering will be disabled. The signal is routed directly to the attenuator, which sets the FM deviation according to the channel spacing of the active transmit channel and emerges from the ASFIC CMP at U0221-40, at which point it is routed to the RF section.

2.2.3 TX Secure Audio (optional)

The audio follows the normal transmit audio processing until it emerges from the ASFIC CMP TX SND pin (U0221-44), which is fed to the Secure board residing at option connector J0551-33. The Secure board contains circuitry to amplify, encrypt, and filter the audio. The encrypted signal is then fed back from J0551-32 to the ASFIC CMP TX RTN input (U0221-36). The signal level at this pin should be about 65mVrms. The signal is then routed through the TX path in the ASFIC CMP and emerges at MOD IN pin 40.

2.2.4 Option Board Transmit Audio

The audio follows the normal transmit audio processing until it emerges from the ASFIC CMP TX SND pin (U0221-44), which is fed to the option board residing at option connector J0551-33. The option board contains circuitry to process the audio. The processed signal is then fed back from J0551-32 to the ASFIC CMP TX RTN input (U0221-36). The signal level at this pin should be about 65mVrms. The signal is then routed through the TX path in the ASFIC CMP and emerges at MOD IN pin 40.

2.3 Transmit Signalling Circuits

Refer to 1-4 for reference for the following sections.

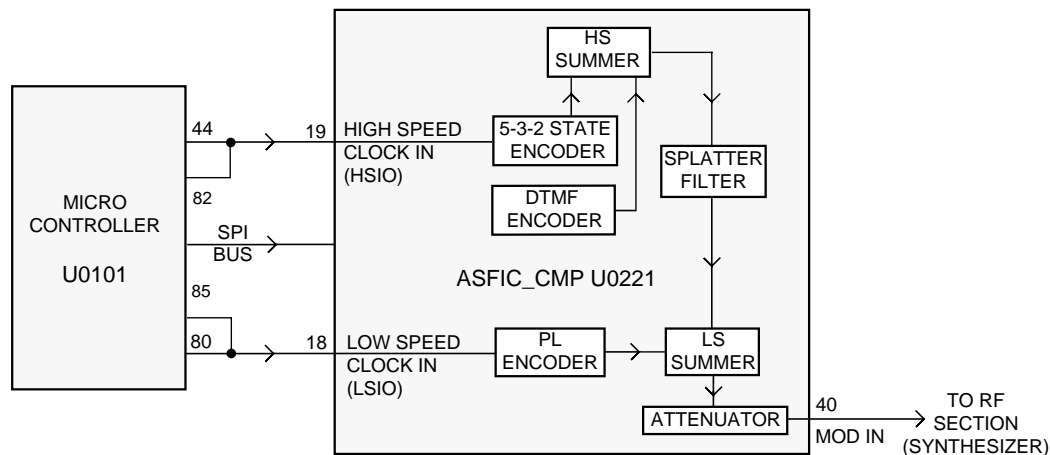


Figure 1-4 Transmit Signalling Paths

From a hardware point of view, there are 3 types of signalling:

- 1) Sub-audible data (PL / DPL / Connect Tone) that gets summed with transmit voice or signalling,
- 2) DTMF data for telephone communication in trunked and conventional systems, and
- 3) Audible signalling including Select 5, MPT-1327, MDC, High speed Trunking.

NOTE: All three types are supported by the hardware while the radio software determines which signalling type is available.

2.3.1 Sub-audible Data (PL/DPL)

Sub-audible data implies signalling whose bandwidth is below 300Hz. PL and DPL waveforms are used for conventional operation and connect tones for trunked voice channel operation. The trunking connect tone is simply a PL tone at a higher deviation level than PL in a conventional system. Although it is referred to as "sub-audible data", the actual frequency spectrum of these waveforms may be as high as 250 Hz, which is audible to the human ear. However, the radio receiver filters out any audio below 300Hz, so these tones are never heard in the actual system.

Only one type of sub-audible data can be generated by U0221 (ASFIC CMP) at any one time. The process is as follows, using the SPI BUS, the μ P programs the ASFIC CMP to set up the proper low-speed data deviation and select the PL or DPL filters. The μ P then generates a square wave which strobes the ASFIC PL / DPL encode input LSIO U0221-18 at twelve times the desired data rate. For example, for a PL frequency of 103Hz, the frequency of the square wave would be 1236Hz.

This drives a tone generator inside U0221 which generates a staircase approximation to a PL sine wave or DPL data pattern. This internal waveform is then low-pass filtered and summed with voice or data. The resulting summed waveform then appears on U0221-40 (MOD IN), where it is sent to the RF board as previously described for transmit audio. A trunking connect tone would be generated in the same manner as a PL tone.

2.3.2 High Speed Data

High speed data refers to the 3600 baud data waveforms, known as Inbound Signalling Words (ISWs) used in a trunking system for high speed communication between the central controller and the radio. To generate an ISW, the μ P first programs the ASFIC CMP (U0221) to the proper filter and gain settings. It then begins strobing U0221-19 (HSIO) with a pulse when the data is supposed to change states. U0221's 5-3-2 State Encoder (which is in a 2-state mode) is then fed to the post-limiter summer block and then the splatter filter. From that point it is routed through the modulation attenuators and then out of the ASFIC CMP to the RF board. MPT 1327 and MDC are generated in much the same way as Trunking ISW. However, in some cases these signals may also pass through a data pre-emphasis block in the ASFIC CMP. Also these signalling schemes are based on sending a combination of 1200 Hz and 1800 Hz tones only. Microphone audio is muted during High Speed Data signalling.

2.3.3 Dual Tone Multiple Frequency (DTMF) Data

DTMF data is a dual tone waveform used during phone interconnect operation. It is the same type of tones which are heard when using a "Touch Tone" telephone.

There are seven frequencies, with four in the low group (697, 770, 852, 941Hz) and three in the high group (1209, 1336, 1477Hz).

The high-group tone is generated by the μ P (U0101-44) strobing U0221-19 at six times the tone frequency for tones less than 1440Hz or twice the frequency for tones greater than 1440Hz. The low group tone is generated by the ASFIC CMP, controlled by the μ P via SPI bus. Inside U0221 the low-group and high-group tones are summed (with the amplitude of the high group tone being approximately 2 dB greater than that of the low group tone) and then pre-emphasized before being routed to the summer and splatter filter. The DTMF waveform then follows the same path as was described for high-speed data.

2.4 Receive Audio Circuits

Refer to 1-5 for reference for the following sections.

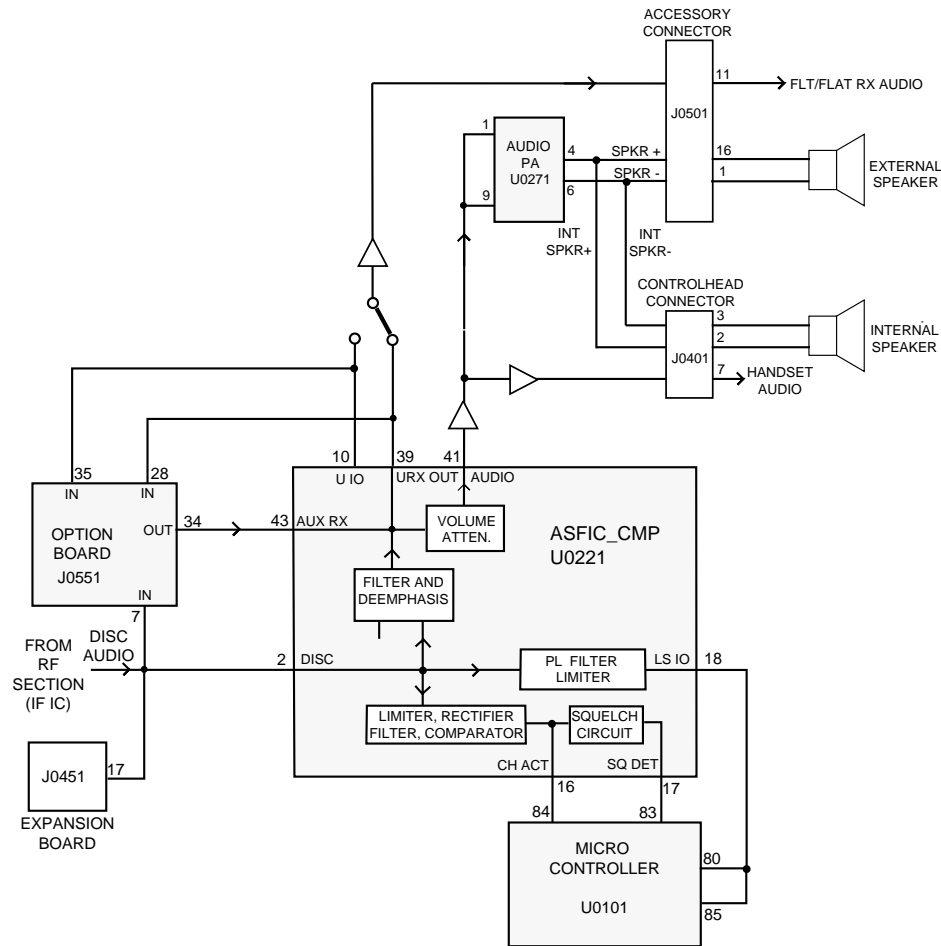


Figure 1-5 Receive Audio Paths

2.4.1 Squelch Detect

The radio's RF circuits are constantly producing an output at the discriminator (IF IC). This signal (DISC AUDIO) is routed to the ASFIC CMP's squelch detect circuitry input DISC (U0221-2). All of the squelch detect circuitry is contained within the ASFIC CMP. Therefore from a user's point of view, DISC AUDIO enters the ASFIC CMP, and the ASFIC CMP produces two CMOS logic outputs based on the result. They are CH ACT (U0221-16) and SQ DET (U0221-17).

The squelch signal entering the ASFIC CMP is amplified, filtered, attenuated, and rectified. It is then sent to a comparator to produce an active high signal on CH ACT. A squelch tail circuit is used to produce SQ DET (U0221-17) from CH ACT. The state of CH ACT and SQ DET is high (logic 1) when carrier is detected, otherwise low (logic 0).

CH ACT is routed to the μ P pin 84 while SQ DET is routed to the μ P pin 83.

SQ DET is used to determine all audio mute / unmute decisions except for Conventional Scan. In this case CH ACT is a pre-indicator as it occurs slightly faster than SQ DET.

2.4.2 Audio Processing and Digital Volume Control

The receiver audio signal enters the controller section from the IF IC on DISC AUDIO. The signal is DC coupled by R0228 and enters the ASFIC CMP via the DISC pin U0221-2.

Inside the ASFIC CMP, the signal goes through 2 paths in parallel, the audio path and the PL/DPL path.

The audio path has a programmable amplifier, whose setting is based on the channel bandwidth being received, then a LPF filter to remove any frequency components above 3000Hz and then an HPF to strip off any sub-audible data below 300Hz. Next, the recovered audio passes through a de-emphasis filter if it is enabled (to compensate for Pre-emphasis which is used to reduce the effects of FM noise). The IC then passes the audio through the 8-bit programmable attenuator whose level is set depending on the value of the volume control. Finally the filtered audio signal passes through an output buffer within the ASFIC CMP. The audio signal exits the ASFIC CMP at pin AUDIO (U0221-41).

The μ P programs the attenuator, using the SPI BUS, based on the volume setting. The minimum / maximum settings of the attenuator are set by codeplug parameters.

Since sub-audible signalling is summed with voice information on transmit, it must be separated from the voice information before processing. Any sub-audible signalling enters the ASFIC CMP from the IF IC at DISC U0221-2. Once inside it goes through the PL/DPL path. The signal first passes through one of 2 low pass filters, either PL low pass filter or DPL/LST low pass filter. Either signal is then filtered and goes through a limiter and exits the ASFIC CMP at LSIO (U0221-18). At this point the signal will appear as a square wave version of the sub-audible signal which the radio received. The microprocessor U0101-80 will decode the signal directly to determine if it is the tone / code which is currently active on that mode.

2.4.3 Audio Amplification Speaker (+) Speaker (-)

The output of the ASFIC CMP's digital volume pot, U0221-41 is routed through DC blocking capacitor C0265 to a buffer formed by U0211-1. Resistors R0265 and R0268 set the correct input level to the audio PA (U0271). This is necessary because the gain of the audio PA is 46 dB, and the ASFIC CMP output is capable of overdriving the PA unless the maximum volume is limited. Resistor R0267 and capacitor C0267 increase frequency components below 350Hz.

The audio then passes through R0269 and C0272 which provides AC coupling and low frequency roll-off. C0273 provides high frequency roll-off as the audio signal is routed to pins 1 and 9 of the audio power amplifier U0271.

The audio power amplifier has one inverted and one non-inverted output that produces the differential audio output SPK+ / SPK- (U0271-4/6). The inputs for each of these amplifiers are pins 1 and 9 respectively; these inputs are both tied to the received audio. The audio PA's DC biases are not activated until the audio PA is enabled at pin 8.

The audio PA is enabled via the ASFIC CMP (U0221-38). When the base of Q0271 is low, the transistor is off and U0271-8 is high, using pull up resistor R0273, and the Audio PA is ON. The voltage at U0273-8 must be above 8.5VDC to properly enable the device.

If the voltage is between 3.3 and 6.4V, the device will be active but has its input (U0273-1/9) off. This is a mute condition which is used to prevent an audio pop when the PA is enabled.

The SPK+ and SPK- outputs of the audio PA have a DC bias which varies proportionately with FLT A+ (U0271-7). FLT A+ of 11V yields a DC offset of 5V, and FLT A+ of 17V yields a DC offset of 8.5V. If either of these lines is shorted to ground, it is possible that the audio PA will be damaged. SPK+ and SPK- are routed to the accessory connector (J0501-16 and 1) and to the controlhead (connector J0401-2 and 3).

2.4.4 Handset Audio

Certain hand held accessories have a speaker within them which require a different voltage level than that provided by U0271. For those devices HANDSET AUDIO is available at controlhead connector J0401-7.

The received audio from the output of the ASFIC CMP's digital volume attenuator and buffered by U0211-1 is also routed to U0211-3 pin 9 where it is amplified 20 dB; this is set by the 10k/100k combination of R0261 and R0262. This signal is routed from the output of the op amp U0211-3 pin 8 to J0401-7. The controlhead sends this signal directly out to the microphone jack. The maximum value of this output is 6.6Vp-p.

2.4.5 Filtered Audio and Flat Audio

The ASFIC CMP has an audio whose output at U0221-39 has been filtered and de-emphasized, but has not gone through the digital volume attenuator. From ASFIC CMP U0221-39 the signal is routed via R0251 through gate U0251-12 and AC coupled to U0211-2. The gate controlled by ASFIC CMP port GCB3 (U0221-35) selects between the filtered audio signal from the ASFIC CMP pin 39 (URXOUT) or the unfiltered (flat) audio signal from the ASFIC CMP pin 10 (UIO). R0251 and R0253 determine the gain of op-amp U0211-2 for the filtered audio while R0252 and R0253 determine the gain for the flat Audio. The output of U0253-7 is then routed to J0501-11 via DC blocking capacitor C0542 and R0531. Note that any volume adjustment of the signal on this path must be done by the accessory

2.4.6 RX Secure Audio (optional)

Discriminator audio, which is now encrypted audio, follows the normal receive audio processing until it emerges from the ASFIC CMP UIO pin (U0221-10), which is fed to the Secure board residing at option connector J0551-35. On the Secure board, the encrypted signal is converted back to normal audio format, and then fed back through (J0551-34) to AUX RX of the ASFIC CMP (U0221-43). From then on it follows a path identical to conventional receive audio, where it is filtered (0.3 - 3kHz) and de-emphasized. The signal URX SND from the ASFIC CMP (U0221-39), also routed to option connector J0551-28, is not used for the Secure board but for other option boards.

2.4.7 Option Board Receive Audio

Unfiltered audio from the ASFIC CMP pin UIO (U0221-10) enters the option board at connector J0551-35. Filtered audio from the ASFIC CMP pin URXOUT (U0221-39) enters the option board at connector J0551-28. On the option board, the signal may be processed, and then fed back through J0551-34 to AUX RX of the ASFIC CMP (U0221-43). From then on it follows a path identical to conventional receive audio, where it may be filtered (0.3 - 3kHz) and de-emphasized.

2.5 Receive Signalling Circuits

Refer to 1-6 for reference for the following sections.

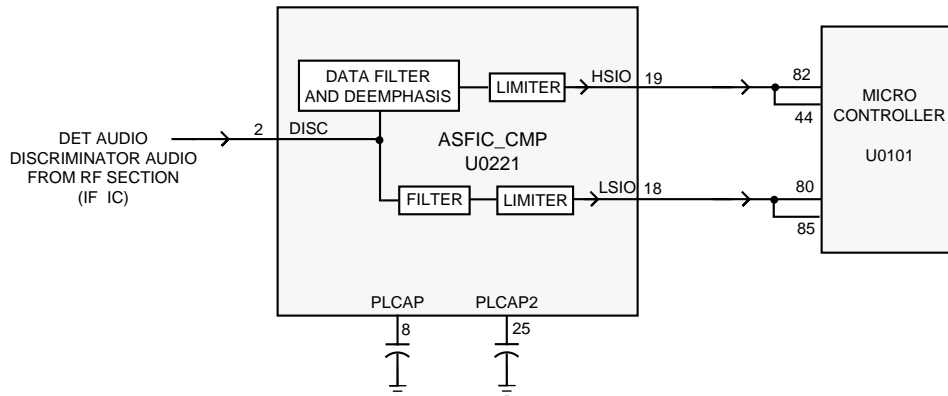


Figure 1-6 Receive Signalling Paths

2.5.1 Sub-audible (PL/DPL) and High Speed Data Decoder

The ASFIC CMP (U0221) is used to filter and limit all received data. The data enters the ASFIC CMP at input DISC (U0221-2). Inside U0221 the data is filtered according to data type (HS or LS), then it is limited to a 0-5V digital level. The MDC and trunking high speed data appear at U0221-19, where it connects to the μ P U0101-82

The low speed limited data output (PL, DPL, and trunking LS) appears at U0221-18, where it connects to the μ P U0101-80.

The low speed data is read by the μ P at twice the frequency of the sampling waveform; a latch configuration in the ASFIC CMP stores one bit every clock cycle. The external capacitors C0236, and C0244 set the low frequency pole for a zero crossings detector in the limiters for PL and HS data. The hysteresis of these limiters is programmed based on the type of received data.

2.5.2 Alert Tone Circuits

When the software determines that it needs to give the operator an audible feedback (for a good key press, or for a bad key press), or radio status (trunked system busy, phone call, circuit failures), it sends an alert tone to the speaker. It does so by sending SPI BUS data to U0221 which sets up the audio path to the speaker for alert tones. The alert tone itself can be generated in one of two ways: internally by the ASFIC CMP, or externally using the μ P and the ASFIC CMP.

The allowable internal alert tones are 304, 608, 911, and 1823Hz. In this case a code contained within the SPI BUS load to the ASFIC CMP sets up the path and determines the tone frequency, and at what volume level to generate the tone. (It does not have to be related to the voice volume setting).

For external alert tones, the μ P can generate any tone within the 100-3000Hz audio band. This is accomplished by the μ P generating a square wave which enters the ASFIC CMP at U0221-19. Inside the ASFIC CMP this signal is routed to the alert tone generator.

The output of the generator is summed into the audio chain just after the RX audio de-emphasis block. Inside U0221 the tone is amplified and filtered, then passed through the 8-bit digital volume attenuator, which is typically loaded with a special value for alert tone audio. The tone exits at U0221-41 and is routed to the audio PA like receive audio

2.6 Voice Storage (optional)

The Voice Storage (VS) option can be used to store audio signals coming from the receiver or from the microphone. Any stored audio signal can be played back over the radio's speaker or sent out via the radio's transmitter.

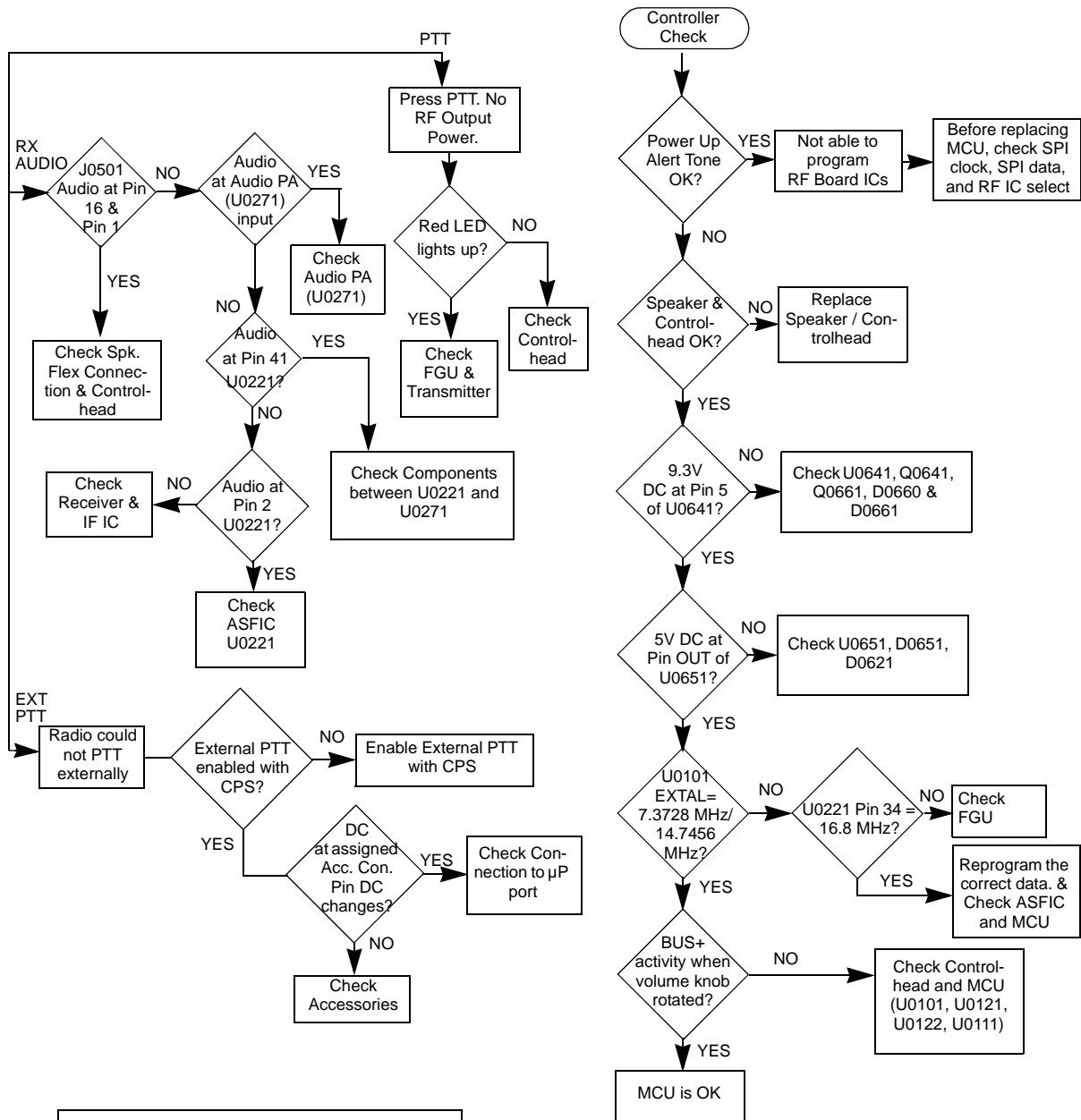
The Voice Storage option can be placed on the controller section or on an additional option board which resides on option board connector J0551. Voice Storage IC U0301 provides all required functionality and is powered from 3.3 volts regulator U0351 which is powered from the regulated 5 volts. Dual shottky diode D0301 reduces the supply voltage for U0301 to 3 volts. The microprocessor controls U0301 via SPI bus lines CLK (U0301-8), DATA (U0301-10) and MISO (U0301-11). To transfer data, the μ P first selects the U0301 via address decoder U0141, line VS CS and U0301 pin 9. Then the μ P sends data through line DATA and receives data through line MISO. Pin 2 (RAC) of U0301 indicates the end of a message row by a low state for 12.5 ms and connects to μ P pin 52. A low at pin 5 (INT), which is connected to μ P pin 55 indicates that the Voice Storage IC requires service from the μ P.

Audio, either from the radio's receiver or from one of the microphone inputs, emerges the ASFIC CMP (U0221) at pin 39, is buffered by op-amp U0341-1 and enters the Voice Storage IC U0301 at pin 25. During playback, the stored audio emerges U0301 at pin 20. To transmit the audio signal it is fed through resistive divider R0344 / R0345 and line VS MIC to input selector IC U0251. When this path is selected by the μ P via ASFIC CMP port GCB 4, the audio signal enters the ASFIC CMP at pin 48 and is processed like normal transmit audio. To play the stored audio over the radio's speaker, the audio from U0301 pin 20 is buffered by op-amp U0341-2 and fed via switch U0342 and line FLAT RX SND to ASFIC CMP pin 10 (UIO). In this case, this ASFIC CMP pin is programmed as input and feeds the audio signal through the normal receiver audio path to the speaker or handset. Switch U0342 is controlled by the μ P via ASFIC CMP port GCB 4 and feeds the stored audio only to the ASFIC CMP port UIO when it is programmed as input.

Section 2

TROUBLESHOOTING CHARTS

1.0 Controller Troubleshooting Chart



Before troubleshooting the controller section according to this chart please check the following:

1. Check tuning and CPS settings
2. Check if Alert Tones are enabled
3. Check if Controlhead is OK
4. Check board visually

THIS PAGE INTENTIONALLY LEFT BLANK

Section 3

CONTROLLER SCHEMATICS / PARTS LISTS

1.0 Allocation of Schematics and Circuit Boards

1.1 Controller Circuits

This Chapter shows the Schematics and the Parts Lists for the Controller circuits.

1.2 Voice Storage Facility

The Voice Storage is fitted on all MPT radios GM338/GM398 as standard.

The schematics, component layout and parts list for these circuits are shown in this chapter. The Voice Storage schematic is shown in Tables below.

Table 3-1 Controller T5 Diagrams and Parts Lists

Controller T5 used on PCB : 8486172B06 VHF, 1-25W	
SCHEMATICS	
Controller Overall	Page 3-3
Supply Voltage	Page 3-4
Audio	Page 3-5
I/O	Page 3-6
Microprocessor	Page 3-7
Voice Storage (if fitted)	Page 3-8
Parts List	
Controller T5	Page 3-9

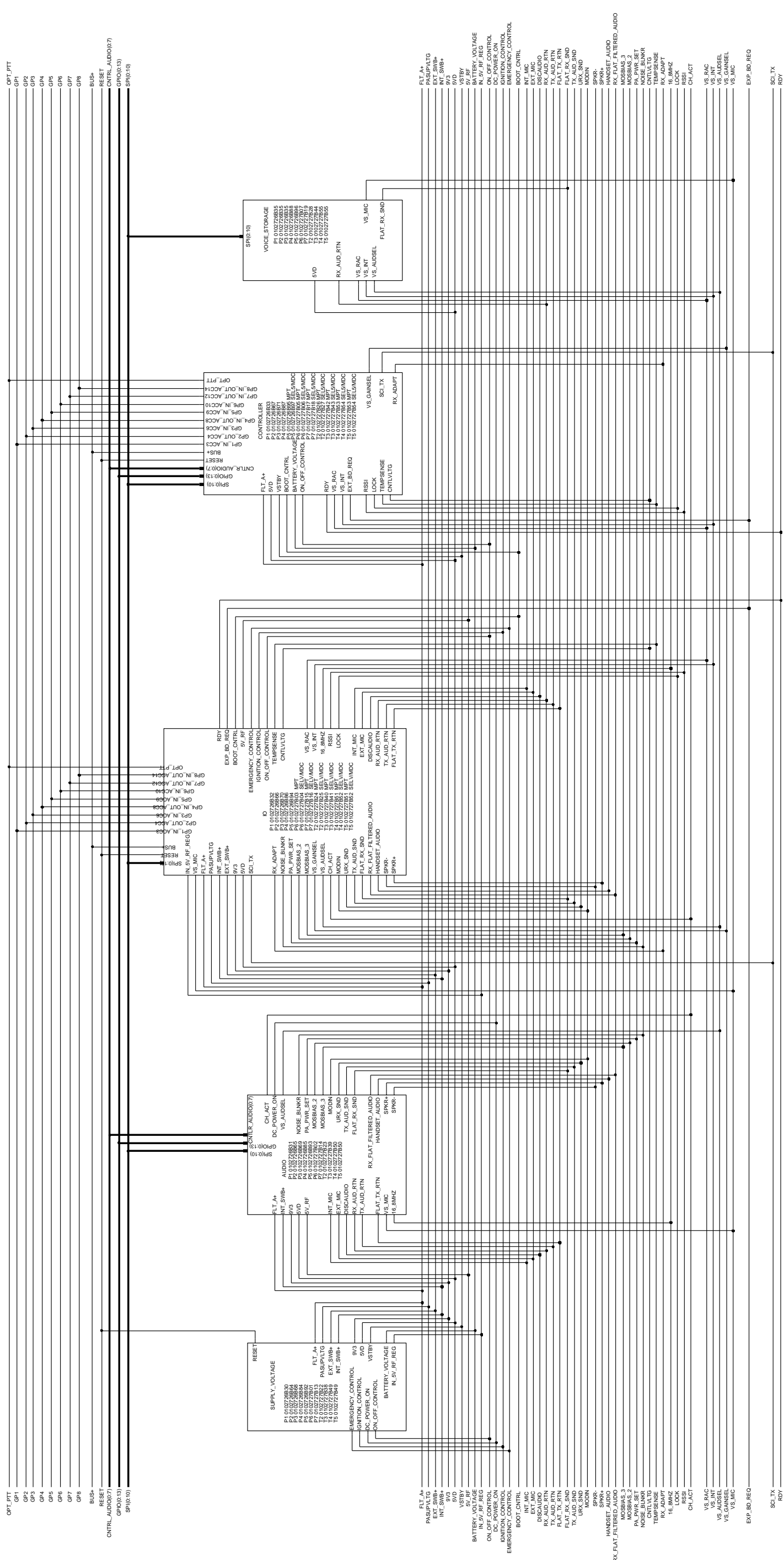
Table 3-2 Controller T7 Diagrams and Parts Lists

Controller T7 used on PCB : T7 on 8486172B07 VHF, 1-25W T7 on 8485670Z02 UHF B1, 1-25W	
SCHEMATICS	
Controller Overall	Page 3-12
Supply Voltage	Page 3-13
Audio	Page 3-14
I/O	Page 3-15
Microprocessor	Page 3-17
Voice Storage (if fitted)	Page 3-19
Parts List	
Controller T7	Page 3-20

Table 3-3 Controller T9 Diagrams and Parts Lists

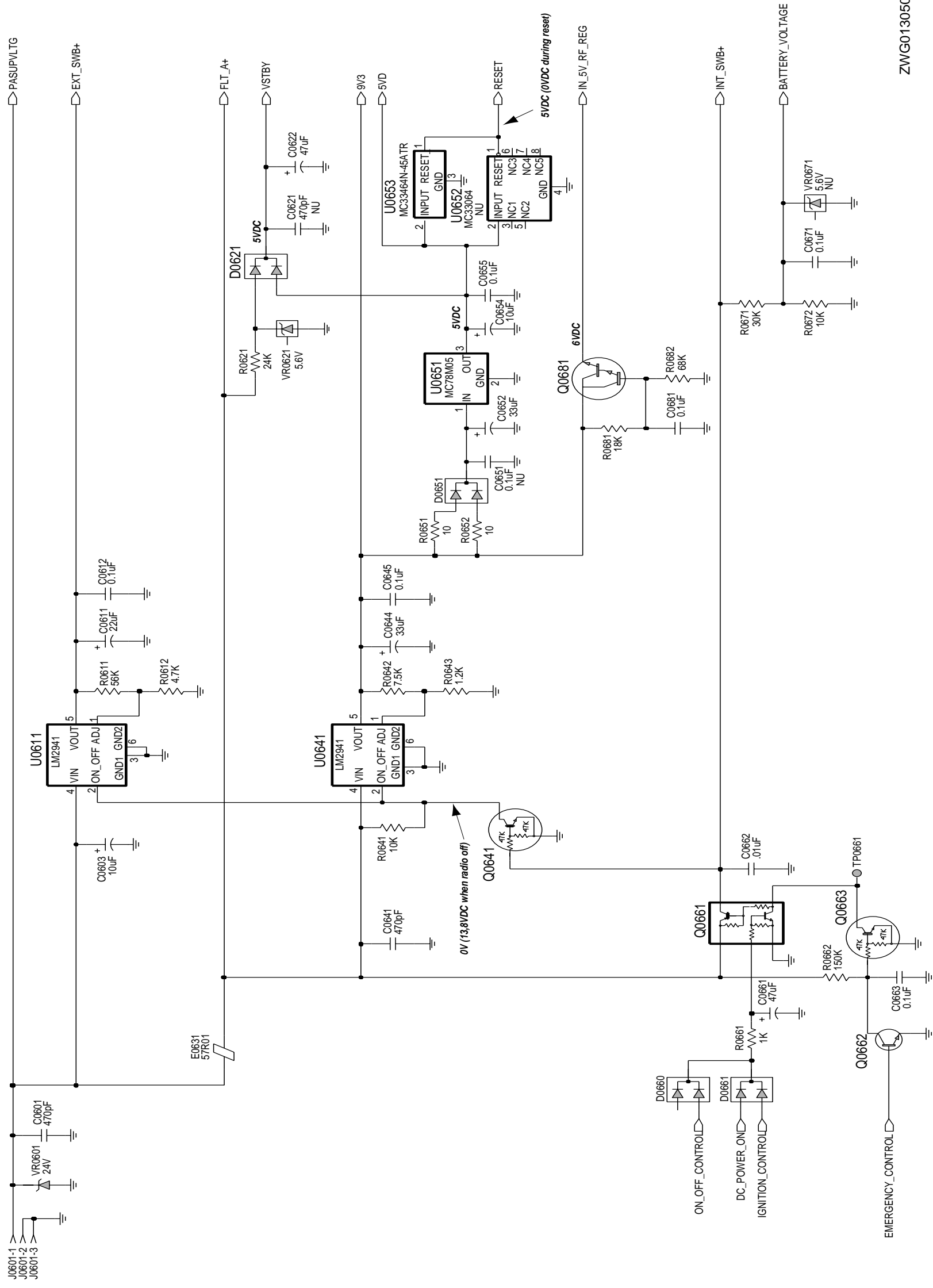
Controller T9 used on PCB : T9 on 8485670Z03 UHF B1, 1-25W	
SCHEMATICS	
Controller Overall	Page 3-12
Supply Voltage	Page 3-13
Audio	Page 3-14
I/O	Page 3-16
Microprocessor	Page 3-18
Voice Storage (if fitted)	Page 3-19
Parts List	
Controller T9	Page 3-23

2.0 Controller T5 / Schematic Diagrams



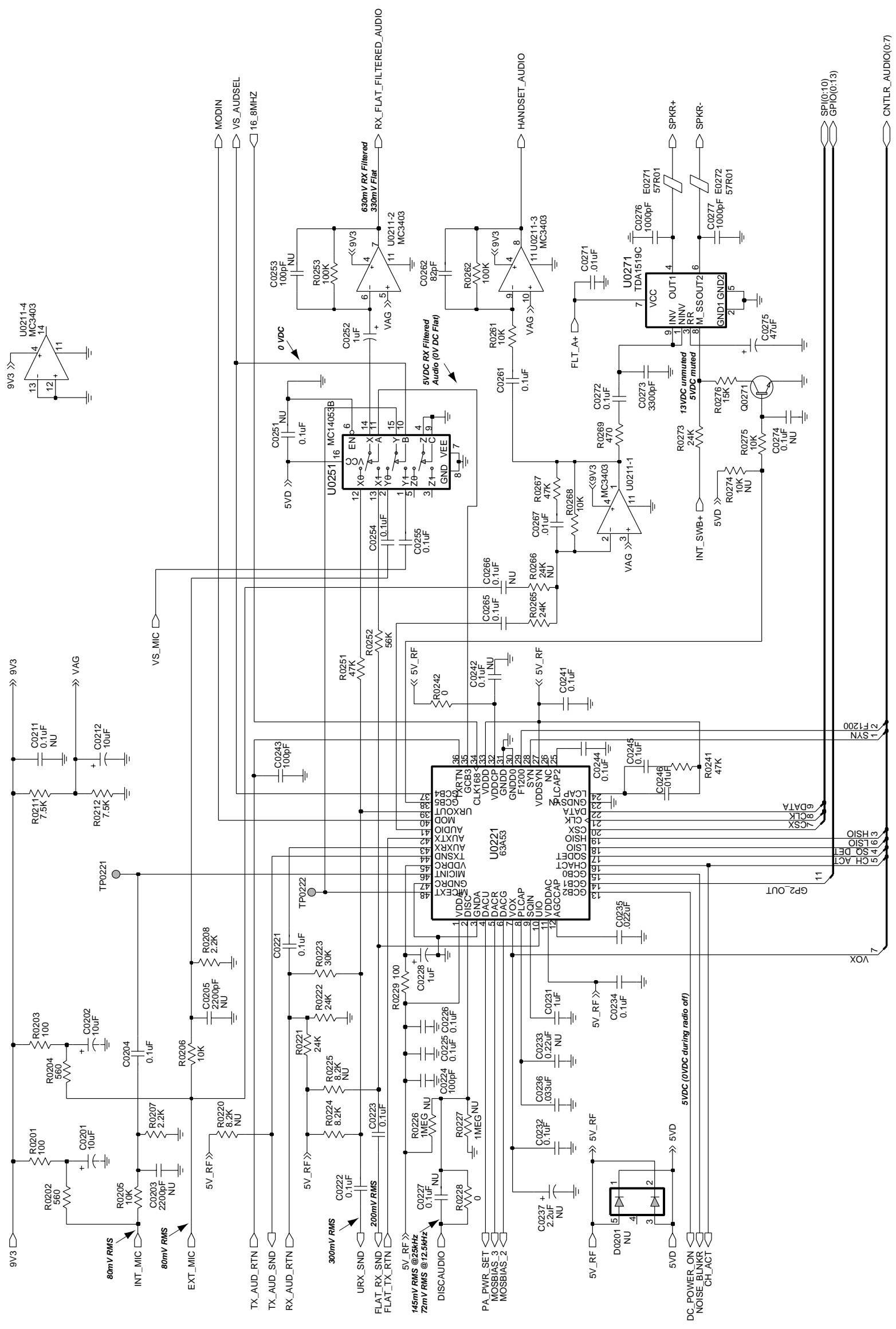
ZWG0130510-O

Controller T5 Schematic Diagram - Controller Overall



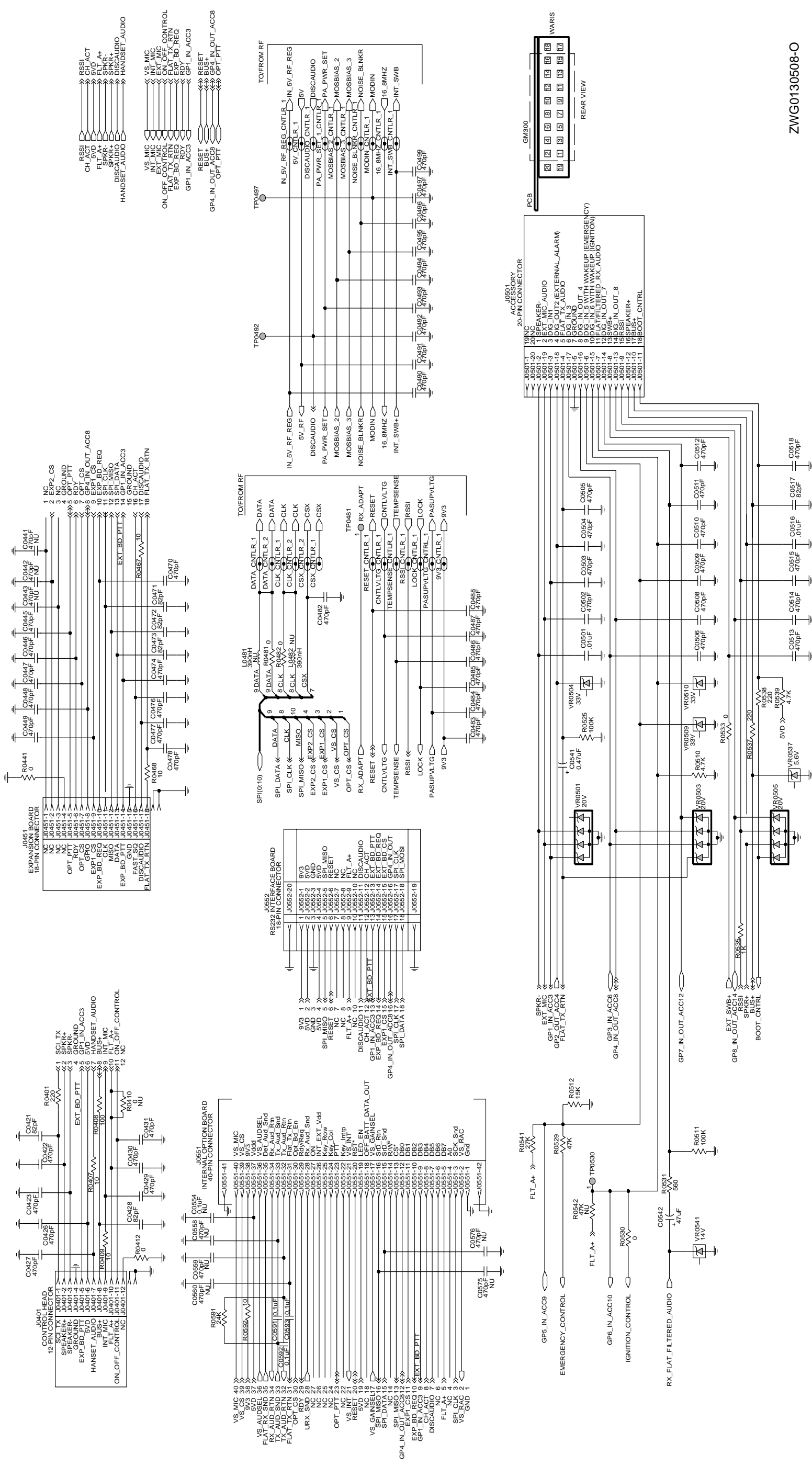
ZWG0130506-O

Controller T5 Schematic Diagram - Supply Voltage



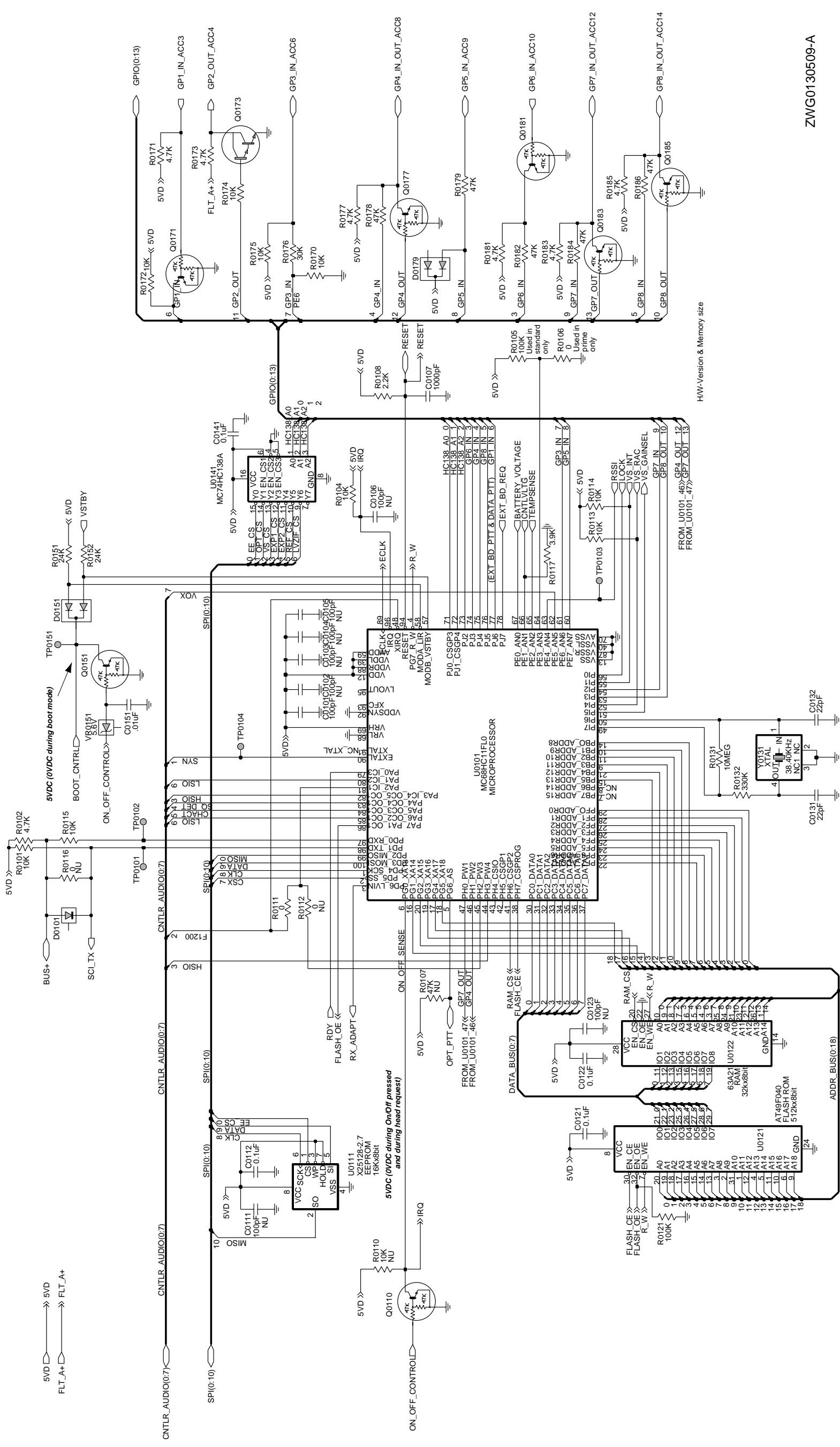
ZWG0130507-O

Controller T5 Schematic Diagram - Audio



Controller T5 Schematic Diagram - I/O

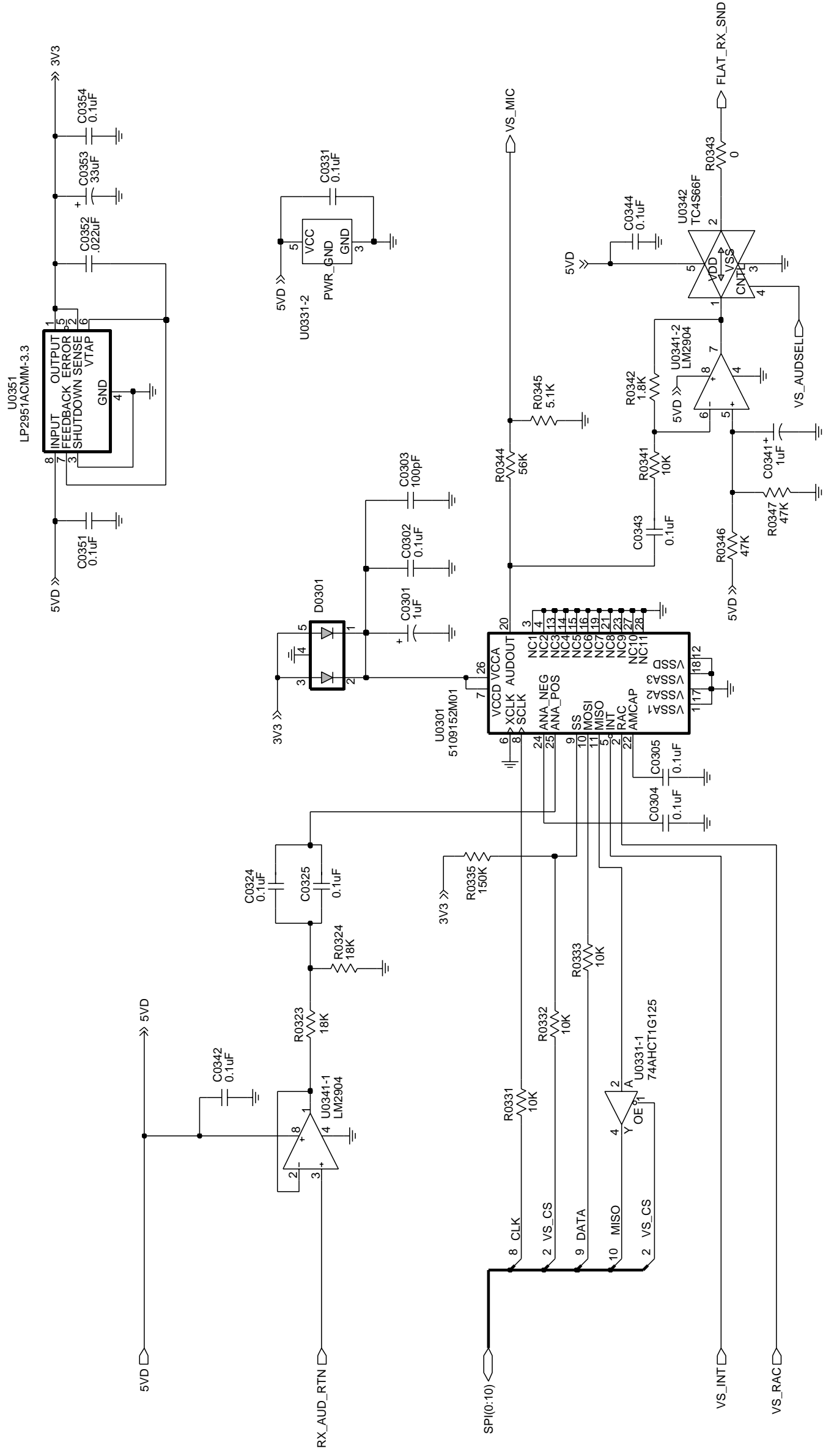
ZWG0130508-0



H/W-Version & Memory size

ZWG0130509-A

Controller T5 Schematic Diagram - Microprocessor



ZWG0130505-O

Controller T5 Schematic Diagram - Voice Storage

2.1 Controller T5 Parts List

Circuit Ref	Motorola Part No	Description
C0101	2113740F51	100pF 5% 50V
C0107	2113741F25	1nF 50V
C0112	2113743E20	100nF 16V
C0121	2113743E20	100nF 16V
C0122	2113743E20	100nF 16V
C0131	2113740F35	22pF 5% 50V
C0132	2113740F35	22pF 5% 50V
C0141	2113743E20	100nF 16V
C0151	2113741F49	10nF 50V
C0201	2311049A57	TANT CP 10uF 10% 16V
C0202	2311049A57	TANT CP 10uF 10% 16V
C0204	2113743E20	100nF 16V
C0212	2311049A57	TANT CP 10uF 10% 16V
C0221	2113743E20	100nF 16V
C0222	2113743E20	100nF 16V
C0223	2113743E20	100nF 16V
C0224	2113740F51	100pF 5% 50V NPO
C0225	2113743E20	100nF 16V
C0226	2113743E20	100nF 16V
C0228	2311049A07	TANT CP 1uF 10% 16V
C0231	2113743B29	1 UF 10% 16V
C0232	2113743E20	100nF 16V
C0234	2113743E20	100nF 16V
C0235	2113743E07	22nF 16V
C0236	2113743E10	.033UF 10%
C0241	2113743E20	100nF 16V
C0243	2113740F51	100pF 5% 50V
C0244	2113743E20	100nF 16V
C0245	2113743E20	100nF 16V
C0246	2113741F49	10nF 50V
C0252	2311049A07	TANT CP 1uF 10%

Circuit Ref	Motorola Part No	Description
C0254	2113743E20	100nF 16V
C0255	2113743E20	100nF 16V
C0261	2113743E20	100nF 16V
C0262	2113740F49	82pF 5% 50V
C0265	2113743E20	100nF 16V
C0267	2113741F49	10nF 50V
C0271	2113741F49	10nF 50V
C0272	2113743E20	100nF 16V
C0273	2113741F37	3.3nF 50V
C0275	2311049A99	TANT CP 47uF 20% 10V
C0276	2113741F25	1nF 50V
C0277	2113741F25	1nF 50V
C0301 Used in	2311049A07 GM398 only	1uF 10% 16V
C0302 Used in	2113743E20 GM398 only	100nF 16V
C0303 Used in	2113740F51 GM398 only	100pF 5% 50V
C0304 Used in	2113743E20 GM398 only	100nF 16V
C0305 Used in	2113743E20 GM398 only	100nF 16V
C0324 Used in	2113743E20 GM398 only	100nF 16V
C0331 Used in	2113743E20 GM398 only	100nF 16V
C0341 Used in	2311049A07 GM398 only	TANT CP 1uF 10% 16V
C0342 Used in	2113743E20 GM398 only	100nF 16V
C0343 Used in	2113743E20 GM398 only	100nF 16V
C0344 Used in	2113743E20 GM398 only	100nF 16V
C0351 Used in	2113743E20 GM398 only	100nF 16V

Circuit Ref	Motorola Part No	Description
C0352 Used in	2113743E07 GM398 only	22nF 16V
C0353 Used in	2311049A97 GM398 only	TANT CHIP 33 UF 16
C0354 Used in	2113743E20 GM398 only	100nF 16V
C0421	2113743N48	82.0 PF 5%
C0422	2113741F17	470pF 50V
C0423	2113741F17	470pF 50V
C0426	2113743L09	470 PF 10%
C0427	2113743L09	470 PF 10%
C0428	2113743N48	82.0 PF 5%
C0429	2113743L09	470 PF 10%
C0430	2113741F17	470pF 50V
C0431	2113741F17	470pF 50V
C0445	2113743L09	470 PF 10%
C0446	2113743L09	470 PF 10%
C0447	2113743L09	470 PF 10%
C0448	2113743L09	470 PF 10%
C0449	2113743L09	470 PF 10%
C0470	2113743L09	470 PF 10%
C0471	2113743N48	82.0 PF 5%
C0472	2113743N48	82.0 PF 5%
C0473	2113743N48	82.0 PF 5%
C0474	2113743L09	470 PF 10%
C0476	2113743L09	470 PF 10%
C0477	2113743L09	470 PF 10%
C0478	2113743L09	470 PF 10%
C0482	2113743L09	470 PF 10%
C0483	2113743L09	470 PF 10%
C0484	2113741F17	470 pF 50V
C0485	2113743L09	470 PF 10%
C0486	2113743L09	470 PF 10%

Circuit Ref	Motorola Part No	Description
C0487	2113743L09	470 PF 10%
C0488	2113743L09	470 PF 10%
C0490	2113743L09	470 PF 10%
C0491	2113743L09	470 PF 10%
C0492	2113743L09	470 PF 10%
C0493	2113743L09	470 PF 10%
C0494	2113743L09	470 PF 10%
C0495	2113743L09	470 PF 10%
C0496	2113743L09	470 PF 10%
C0497	2113743L09	470 PF 10%
C0499	2113743L09	470 PF 10%
C0501	2113741F49	10nF 50V
C0502	2113743L09	470 PF 10%
C0503	2113743L09	470 PF 10%
C0504	2113743L09	470 PF 10%
C0505	2113743L09	470 PF 10%
C0506	2113743L09	470 PF 10%
C0508	2113743L09	470 PF 10%
C0509	2113743L09	470 PF 10%
C0510	2113741F17	470 pF 50V
C0511	2113743L09	470 PF 10%
C0512	2113743L09	470 PF 10%
C0513	2113741F17	470 pF 50V
C0514	2113743L09	470 PF 10%
C0515	2113743L09	470 PF 10%
C0516	2113741F49	10nF 50V
C0517	2113743N48	82.0 PF 5%
C0518	2113743L09	470 PF 10%
C0541	2311049A05	TANT CP 470nF 10% 25V
C0542	2311049A99	TANT CP 47uF 20% 10V
C0591	2113743E20	100nF 16V
C0592	2113743E20	100nF 16V

Circuit Ref	Motorola Part No	Description
C0593	2113741B69	100nF 50V
C0601	2113741F17	470pF 50V
C0603	2380090M24	LYT 10uF 50V 20%
C0611	2311049C06	TANT CP 22uF 20% 35V
C0612	2113743E20	100nF 16V
C0622	2311049A99	TANT CP 47uF 20% 10V
C0641	2113741F17	470pF 50V
C0644	2311049A97	TANT CHIP 33 UF 16
C0645	2113743E20	100nF 16V
C0652	2311049A97	TANT CHIP 33 UF 16
C0654	2311049A57	TANT CP 10uF 10% 16V
C0655	2113743E20	100nF 16V
C0661	2311049C05	TANT CP 47uF 10% 16V
C0662	2113741F49	10nF 50V
C0663	2113743E20	100nF 16V
C0671	2113743E20	100nF 16V
C0681	2113743E20	100nF 16V
D0101	4880230E05	CHIP SCHOTTKY
D0151	4813833C02	DUAL SOT MMBD6100
D0179	4813833C02	DUAL SOT MMBD6100
D0301	4802245J47 GM398 only	SCHOTTKY BARRIER (RB471E)
D0621	4813833C02	DUAL SOT MMBD6100
D0651	4813833C02	DUAL SOT MMBD6100
D0660	4813833C02	DUAL SOT MMBD6100
D0661	4813833C02	DUAL SOT MMBD6100
E0271	2484657R01	Ferrite Bead
E0272	2484657R01	Ferrite Bead
E0631	2484657R01	Ferrite Bead
J0401	0902636Y02	CONN FLEX 12 PIN
J0451	0902636Y01	CONN FLEX SIDE ENTRY
J0501	0986105B01	CONN SMD 20 PIN

Circuit Ref	Motorola Part No	Description
J0551	0905505Y04	CONN ZIF HORIZONTAL
J0552	0905505Y03	CONN ZIF 18PIN
J0601	0986165B01	DC PWR CONN
Q0110	4880048M01	NPN DIG 47k/47k
Q0151	4880048M01	NPN DIG 47k/47k
Q0171	4880048M01	NPN DIG 47k/47k
Q0173	4880052M01	NPN DRLNGTN MXTA
Q0177	4880048M01	NPN DIG 47k/47k
Q0181	4880048M01	NPN DIG 47k/47k
Q0183	4880048M01	NPN DIG 47k/47k
Q0185	4880048M01	NPN DIG 47k/47k
Q0271	4813824A10	NPN 40V .2A
Q0641	4880048M01	NPN DIG 47k/47k
Q0661	4805921T02	DUAL ROHM FMC2 RH
Q0662	4813824A10	NPN 40V .2A B=50-150
Q0663	4880048M01	NPN DIG 47k/47k
Q0681	4880052M01	NPN DRLNGTN MXTA
R0101	0662057A73	10k 1/16W 5%
R0102	0662057A65	4k7 1/16W 5%
R0104	0662057A73	10k 1/16W 5%
R0105	0662057A97 GM338 only	100k 1/16W
R0106	0662057B47 GM398 only	0 1/16W
R0108	0662057A57	2k2 1/16W 5%
R0111	0662057B47	0 1/16W
R0113	0662057A73	10k 1/16W 5%
R0114	0662057A73	10k 1/16W 5%
R0115	0662057A73	10k 1/16W 5%
R0117	0662057A63	3k9 1/16W 5%
R0121	0662057A97	100k 1/16W
R0131	0662057B46	10.0 MEG OHMS 5%
R0132	0662057B10	330k 1/16W 5%

Circuit Ref	Motorola Part No	Description
R0151	0662057A82	24K 1/16W 5%
R0152	0662057A82	24K 1/16W 5%
R0170	0662057A73	10k 1/16W 5%
R0171	0662057A65	4k7 1/16W 5%
R0172	0662057A73	10k 1/16W 5%
R0173	0662057A65	4k7 1/16W 5%
R0174	0662057A73	10k 1/16W 5%
R0175	0662057A73	10k 1/16W 5%
R0176	0662057A84	30k 1/16W 5%
R0177	0662057A65	4k7 1/16W 5%
R0178	0662057A89	47k 1/16W 5%
R0179	0662057A89	47k 1/16W 5%
R0181	0662057A65	4k7 1/16W 5%
R0182	0662057A89	47k 1/16W 5%
R0183	0662057A65	4k7 1/16W 5%
R0184	0662057A89	47k 1/16W 5%
R0185	0662057A65	4k7 1/16W 5%
R0186	0662057A89	47k 1/16W 5%
R0201	0662057A25	100 1/16W 5%
R0202	0662057A43	560 1/16W 5%
R0203	0662057A25	100 1/16W 5%
R0204	0662057A43	560 1/16W 5%
R0205	0662057A73	10k 1/16W 5%
R0206	0662057A73	10k 1/16W 5%
R0207	0662057A57	2k2 1/16W 5%
R0208	0662057A57	2k2 1/16W 5%
R0211	0660076E70	FILM 7500
R0212	0660076E70	FILM 7500
R0221	0662057A82	24K 1/16W 5%
R0222	0662057A82	24K 1/16W 5%
R0223	0662057A84	30k 1/16W 5%
R0224	0662057A71	8k2 1/16W 5%

Circuit Ref	Motorola Part No	Description
R0228	0662057B47	0 1/16W
R0229	0662057A25	100 1/16W 5%
R0241	0662057A89	47k 1/16W 5%
R0242	0662057B47	0 1/16W
R0251	0662057A89	47k 1/16W 5%
R0252	0662057A91	56K 1/16W 5%
R0253	0662057A97	100k 1/16W
R0261	0662057A73	10k 1/16W 5%
R0262	0662057A97	100k 1/16W
R0265	0662057A82	24K 1/16W 5%
R0267	0662057A89	47k 1/16W 5%
R0268	0662057A73	10k 1/16W 5%
R0269	0662057A41	470 1/16W 5%
R0273	0662057A82	24K 1/16W 5%
R0275	0662057A73	10k 1/16W 5%
R0276	0662057A77	15k 1/16W 5%
R0323	0662057A79 GM398 only	18k 1/16W 5%
R0324	0662057A79 GM398 only	18k 1/16W 5%
R0331	0662057A73 GM398 only	10k 1/16W 5%
R0332	0662057A73 GM398 only	10k 1/16W 5%
R0333	0662057A73 GM398 only	10k 1/16W 5%
R0335	0662057B02 GM398 only	150k 1/16W
R0341	0662057A73 GM398 only	10k 1/16W 5%
R0342	0662057A55 GM398 only	1k8 1/16W 5%
R0343	0662057B47 GM398 only	0 1/16W
R0344	0662057A91 GM398 only	56K 1/16W 5%

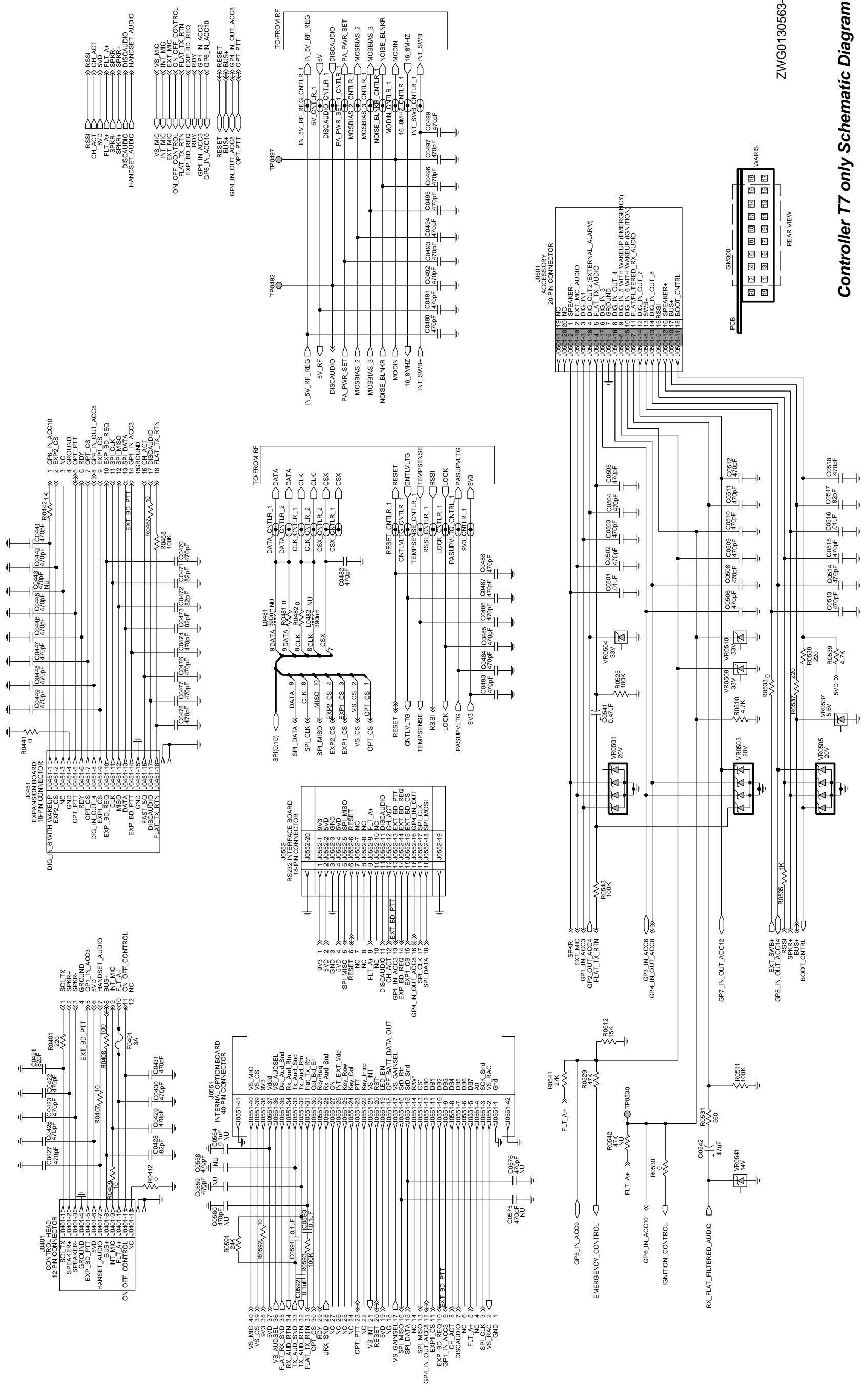
Circuit Ref	Motorola Part No	Description
R0345 Used in	0662057A66 GM398 only	5k1 1/16W 5%
R0346 Used in	0662057A89 GM398 only	47k 1/16W 5%
R0347 Used in	0662057A89 GM398 only	47k 1/16W 5%
R0401	0662057A33	220 1/16W 5%
R0407	0662057M26	10 5%
R0408	0662057A25	100 1/16W 5%
R0409	0662057M26	10 5%
R0412	0662057B47	0 1/16W
R0441	0662057B47	0 1/16W
R0467	0662057M26	10 5%
R0468	0662057M26	10 5%
R0481	0662057B47	0 1/16W
R0482	0662057B47	0 1/16W
R0510	0662057A65	4k7 1/16W 5%
R0511	0662057A97	100k 1/16W
R0512	0662057A77	15k 1/16W 5%
R0525	0662057A97	100k 1/16W
R0529	0662057A89	47k 1/16W 5%
R0530	0662057B47	0 1/16W
R0531	0662057A43	560 1/16W 5%
R0533	0662057B47	0 1/16W
R0535	0662057A49	1k 1/16W
R0537	0662057A33	220 1/16W 5%
R0538	0662057A33	220 1/16W 5%
R0539	0662057A65	4k7 1/16W 5%
R0541	0662057A83	27k 1/16W 5%
R0591	0662057A82	24k 1/16W 5%
R0592	0662057A01	10 1/16W 5%
R0611	0662057A91	56k 1/16W 5%
R0612	0662057A65	4k7 1/16W 5%

Circuit Ref	Motorola Part No	Description
R0621	0662057A82	24k 1/16W 5%
R0641	0662057A73	10k 1/16W 5%
R0642	0660076E70	FILM 7500 1 1
R0643	0660076E51	FILM 1200 1 1
R0651	0662057A01	10 1/16W 5%
R0652	0662057A01	10 1/16W 5%
R0661	0662057A49	1k 1/16W 5%
R0662	0662057B02	150k 1/16W
R0671	0662057A84	30k 1/16W 5%
R0672	0662057A73	10k 1/16W 5%
R0681	0662057A79	18k 1/16W 5%
R0682	0662057A93	68k 1/16W 5%
U0101	51022226J56	MICRO PROCESSOR MC68HC1
* U0111	5102463J64	EEPROM X25128-2.7 SO8
* U0121	5186137B01	IC 512KX8 FLASH ROM (AT49BV020)
U0122	5185963A21	IC 32K x 8 SRAM
U0141	5113805A30	IC 10F8 DCDR/REMUX 74HC138
U0211	5183222M49	IC QUAD OPAMP __3403
U0221	5185963A53	ASFICCMP 0.5MM TQFP
U0251	5113806A20	MUX/DEMUX, TRIPLE 2-
U0271	5109699X01	AUDIO PA TDA1519C
U0301 Used in	5109152M01 GM398 only	EEPROM ANALOG ISD33120EI
U0331 Used in	5186204B01 GM398 only	BUFFER/DRIVER 74AHC1G125
U0341 Used in	5180932W01 GM398 only	LINEAR IC OP AMP
U0342 Used in	5105750U28 GM398 only	SINGL ANALOG SWITCH
U0351 Used in	5102463J40 GM398 only	REGULATOR, 3.3V
U0611	5183308X01	ADJ VLTG REG LM2941 TO263

Circuit Ref	Motorola Part No	Description
U0641	5183308X01	ADJ VLTG REG LM2941 TO263
U0651	5113816A07	REG 5V POS 500MA MC78M05
U0653	5186205B01	MC33464N-45ATR SOT23-5-RB
VR0151	4813830A15	5.6V 5% 225mW
VR0501	4805656W09	ZENER QUAD MMQA20VT1
VR0503	4805656W09	ZENER QUAD MMQA20VT1
VR0504	4813830A40	SOC23 AUTO SDN
VR0505	4805656W09	ZENER QUAD MMQA20VT1
VR0509	4813830A40	SOC23 AUTO SDN
VR0510	4813830A40	SOC23 AUTO SDN
VR0537	4813830A15	5.6V 5% 225mW
VR0541	4813830A27	14V 5% 225MW
VR0601	4813832C77	TRANS SUP. 24V HIG- PWR
VR0621	4813830A15	DIODE 5.6V 5% 225mW
Y0131	4880113R19	CRYSTAL 38.4KHZ

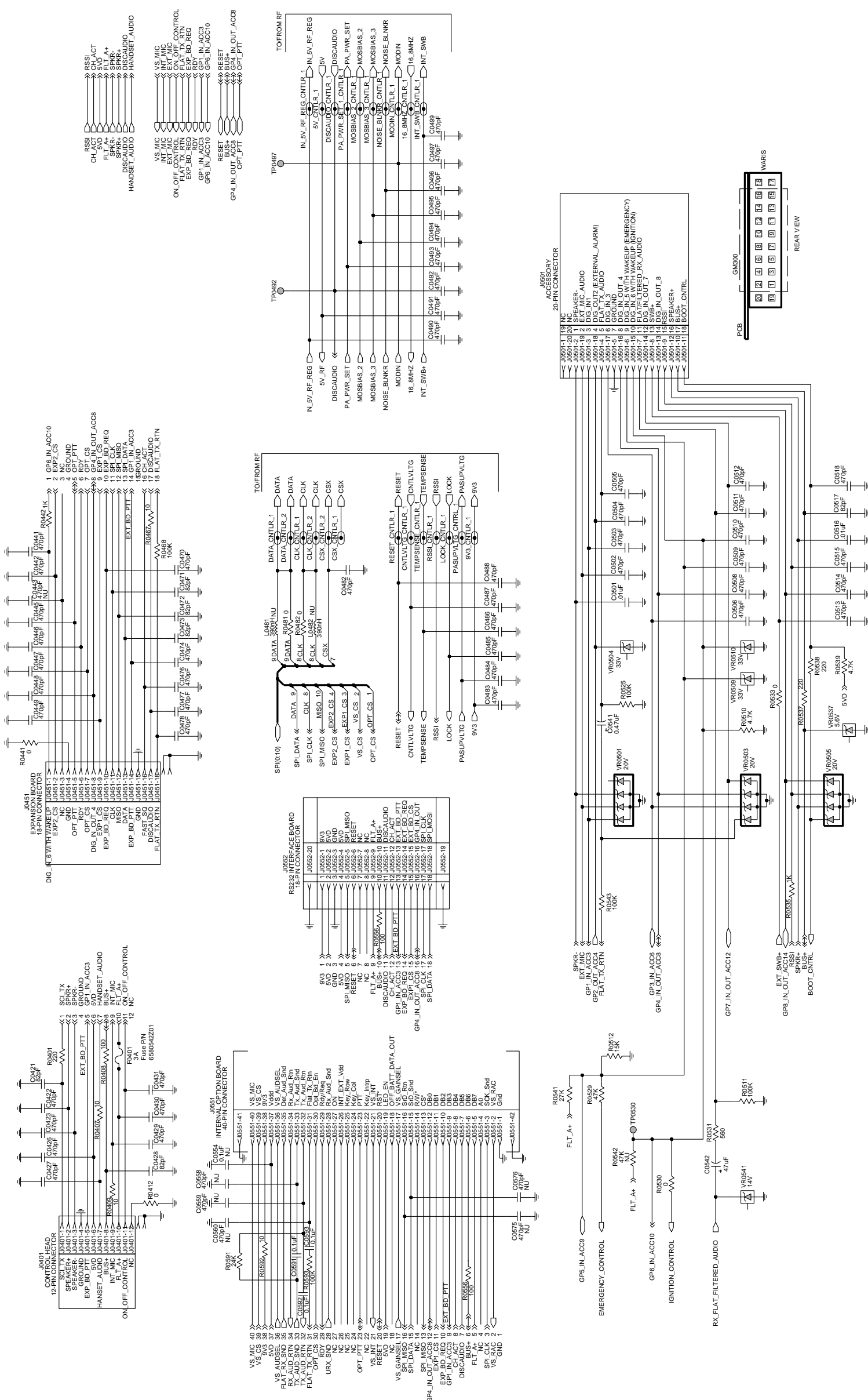
* Motorola Depot Servicing only

Reference designators with an asterisk indicate components which are not fieldreplaceable because they need to be calibrated with specialized factory equipment after installation. Radios in which these parts have been replaced in the field will be off frequency at temperature extremes.



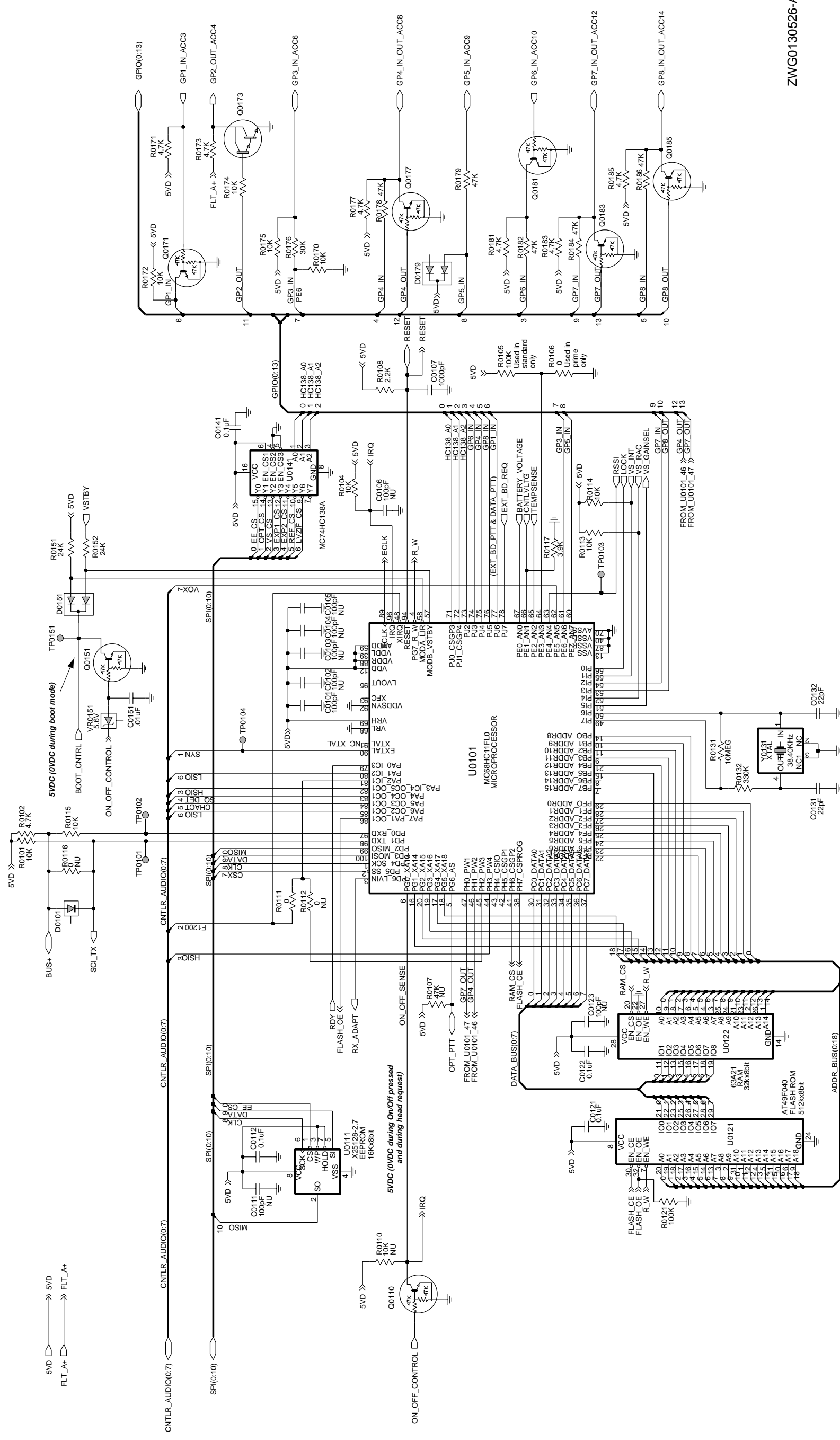
ZWG0130563-A

Controller T7 only Schematic Diagram - I/O



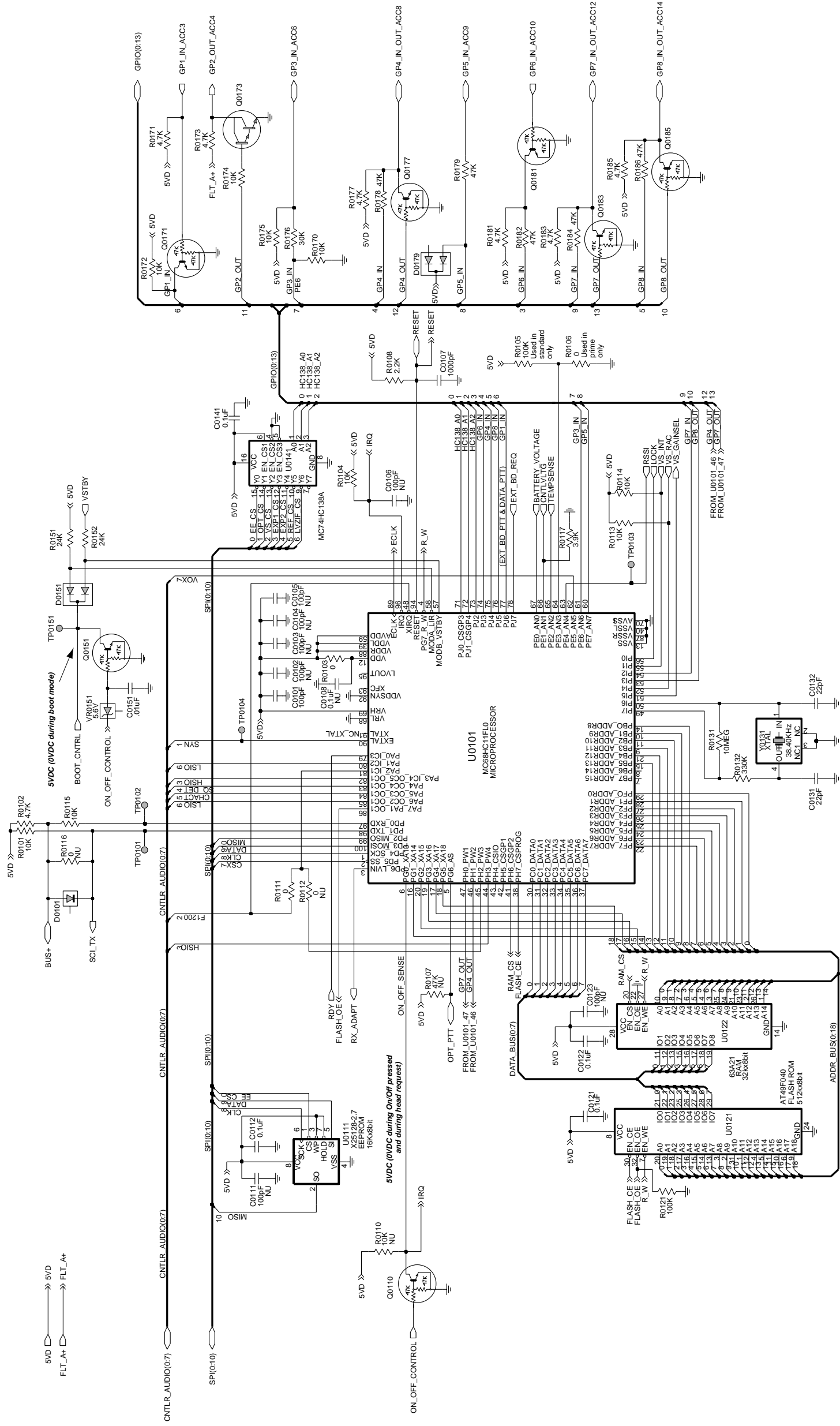
Controller T9 only Schematic Diagram - I/O

ZWG0130586-C



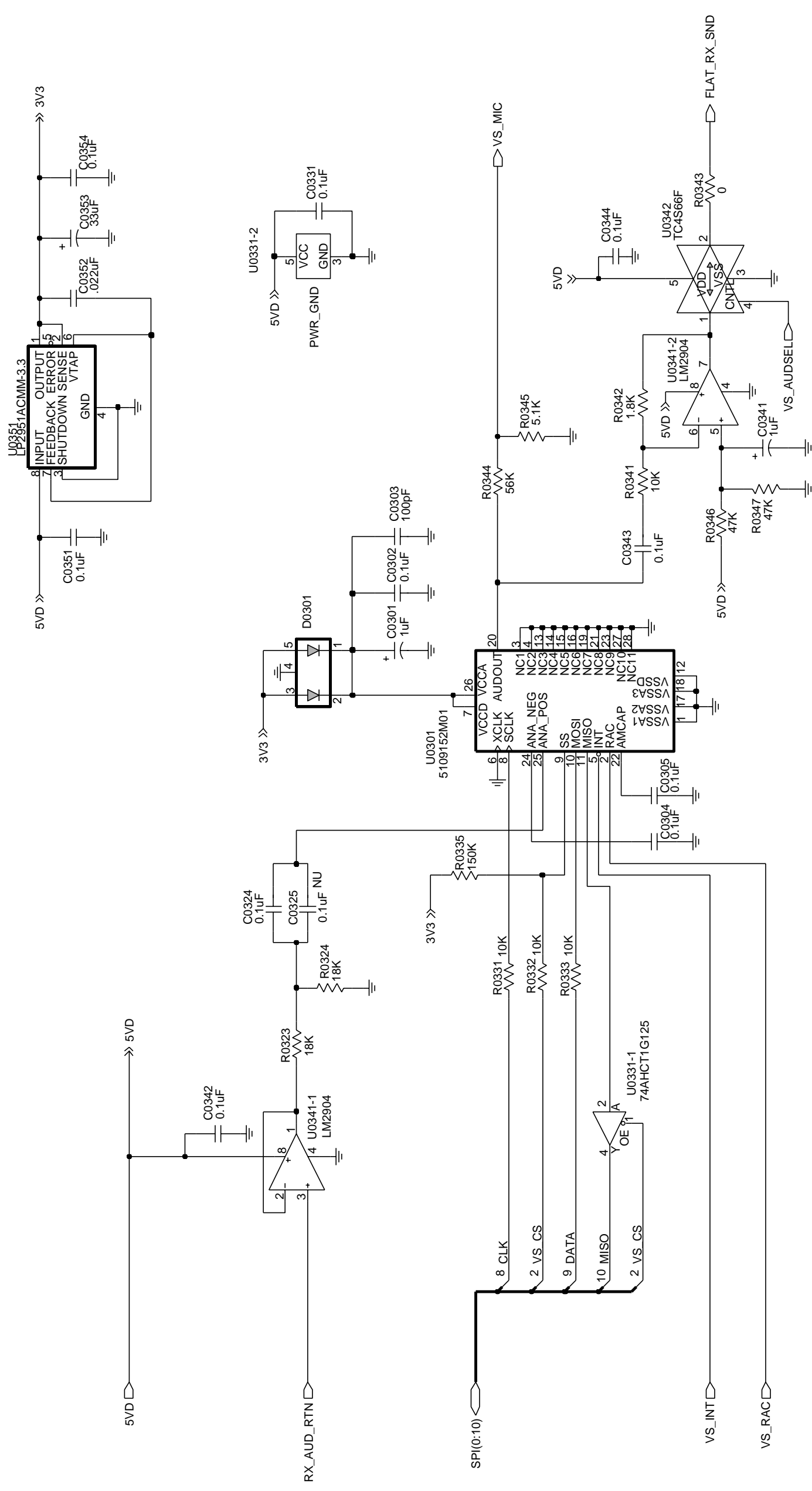
ZWG0130526-A

Controller T7 only Schematic Diagram - Microprocessor



Controller T9 only Schematic Diagram - Microprocessor

ZWG0130585-O



ZWG0130530-O

Controller T7/T9 Schematic Diagram - Voice Storage

3.1 Controller T7 Parts List

Circuit Ref	Motorola Part No	Description
C0101	2113740F51	100pF 5% 50V
C0107	2113741F25	1nF 50V
C0112	2113743E20	100nF 16V
C0121	2113743E20	100nF 16V
C0122	2113743E20	100nF 16V
C0131	2113740F35	22pF 5% 50V
C0132	2113740F35	22pF 5% 50V
C0141	2113743E20	100nF 16V
C0151	2113741F49	10nF 50V
C0201	2311049A57	10uF 10% 16V
C0202	2311049A57	10uF 10% 16V
C0204	2113743E20	100nF 16V
C0212	2311049A57	10uF 10% 16V
C0221	2113743E20	100nF 16V
C0222	2113743E20	100nF 16V
C0223	2113743E20	100nF 16V
C0224	2113740F51	100pF 5% 50V
C0225	2113743E20	100nF 16V
C0226	2113743E20	100nF 16V
C0228	2311049A56	4.7uF 10% 16V
C0231	2113743B29	1 uF 10% 16V
C0232	2113743E20	100nF 16V
C0234	2113743E20	100nF 16V
C0235	2113743E07	22nF 16V
C0236	2113743E10	.033uF 10%
C0241	2113743E20	100nF 16V
C0243	2113740F51	100pF 5% 50V
C0244	2113743E20	100nF 16V
C0245	2113743E20	100nF 16V
C0246	2113741F49	10nF 50V

Circuit Ref	Motorola Part No	Description
C0251 Used in	2113743E20	100nF 16V CNTRL T7 only
C0252	2311049A07	1uF 10% 16V
C0254	2113743E20	100nF 16V
C0255	2113743E20	100nF 16V
C0256	2113740F51	100pF 5% 50V
C0261	2113743E20	100nF 16V
C0262	2113740F49	82pF 5% 50V NPO
C0265	2113743E20	100nF 16V
C0267	2113741F49	10nF 50V
C0271	2113741F49	10nF 50V
C0272	2113743E20	100nF 16V
C0273	2113741F37	3.3nF 50V
C0275	2311049A99	47uF 20% 10V
C0276	2113741F25	1nF 50V X7R
C0277	2113741F25	1nF 50V X7R
C0301 Used in	2311049A07 GM398 only	TANT CP 1uF 10% 16V
C0302 Used in	2113743E20 GM398 only	100nF 16V
C0303 Used in	2113740F51 GM398 only	100pF 5% 50V
C0304 Used in	2113743E20 GM398 only	100nF 16V
C0305 Used in	2113743E20 GM398 only	100nF 16V
C0324 Used in	2113743E20 GM398 only	100nF 16V
C0331 Used in	2113743E20 GM398 only	100nF 16V
C0341 Used in	2311049A07 GM398 only	TANT CP 1uF 10% 16V
C0342 Used in	2113743E20 GM398 only	100nF 16V
C0343 Used in	2113743E20 GM398 only	100nF 16V

Circuit Ref	Motorola Part No	Description
C0344 Used in	2113743E20 GM398 only	100nF 16V
C0351 Used in	2113743E20 GM398 only	100nF 16V
C0352 Used in	2113743E07 GM398 only	22nF 16V
C0353 Used in	2311049A97 GM398 only	TANT CHIP 33 uF
C0354 Used in	2113743E20 GM398 only	100nF 16V
C0421	2113743N48	82.0 PF 5%
C0422	2113741F17	470pF 50V
C0423	2113741F17	470pF 50V
C0426	2113743L09	470 PF 10%
C0427	2113743L09	470 PF 10%
C0428	2113743N48	82.0 PF 5%
C0429	2113743L09	470 PF 10%
C0430	2113741F17	470pF 50V
C0431	2113741F17	470pF 50V
C0441	2113743L09	470 PF 10%
C0442	2113743L09	470 PF 10%
C0445	2113743L09	470 PF 10%
C0446	2113743L09	470 PF 10%
C0447	2113743L09	470 PF 10%
C0448	2113743L09	470 PF 10%
C0449	2113743L09	470 PF 10%
C0470	2113743L09	470 PF 10%
C0471	2113743N48	82.0 PF 5%
C0472	2113743N48	82.0 PF 5%
C0473	2113743N48	82.0 PF 5%
C0474	2113743L09	470 PF 10%
C0476	2113743L09	470 PF 10%
C0477	2113743L09	470 PF 10%
C0478	2113743L09	470 PF 10%

Circuit Ref	Motorola Part No	Description
C0482	2113743L09	470 PF 10%
C0483	2113743L09	470 PF 10%
C0484	2113741F17	470pF 50V
C0485	2113743L09	470 PF 10%
C0486	2113743L09	470 PF 10%
C0487	2113743L09	470 PF 10%
C0488	2113743L09	470 PF 10%
C0490	2113743L09	470 PF 10%
C0491	2113743L09	470 PF 10%
C0492	2113743L09	470 PF 10%
C0493	2113743L09	470 PF 10%
C0494	2113743L09	470 PF 10%
C0495	2113743L09	470 PF 10%
C0496	2113743L09	470 PF 10%
C0497	2113743L09	470 PF 10%
C0499	2113743L09	470 PF 10%
C0501	2113741F49	10nF 50V
C0502	2113743L09	470pF 10% (CNTRL T6)
C0502	2113741F17	470pF 50V (CNTRL T7)
C0503	2113743L09	470pF 10% (CNTRL T6)
C0503	2113741F17	470pF 50V (CNTRL T7)
C0504	2113741F17	470pF 50V
C0505	2113743L09	470pF 10% (CNTRL T6)
C0505	2113741F17	470pF 50V (CNTRL T7)
C0506	2113743L09	470pF 10% (CNTRL T6)
C0506	2113741F17	470pF 50V (CNTRL T7)
C0508	2113743L09	470pF 10% (CNTRL T6)
C0508	2113741F17	470pF 50V (CNTRL T7)
C0509	2113743L09	470pF 10% (CNTRL T6)
C0509	2113741F17	470pF 50V (CNTRL T7)
C0510	2113741F17	470pF 50V
C0511	2113743L09	470pF 10% (CNTRL T6)

Circuit Ref	Motorola Part No	Description
C0511	2113741F17	470pF 50V (CNTRL T7)
C0512	2113743L09	470pF 10% (CNTRL T6)
C0512	2113741F17	470pF 50V (CNTRL T7)
C0513	2113741F17	470pF 50V
C0514	2113743L09	470pF 10% (CNTRL T6)
C0514	2113741F17	470pF 50V (CNTRL T7)
C0515	2113743L09	470pF 10% (CNTRL T6)
C0515	2113741F17	470pF 50V (CNTRL T7)
C0516	2113741F49	10nF 50V
C0517	2113743N48	82.0 PF 5%
C0518	2113743L09	470pF 10% (CNTRL T6)
C0518	2113741F17	470pF 50V (CNTRL T7)
C0541	2311049A05	470nF 10% 25V
C0542	2311049A99	47uF 20% 10V
C0591	2113743E20	100nF 16V
C0592	2113743E20	100nF 16V
C0593	2113741B69	100nF 50V
C0601	2113741F17	470pF 50V
C0603	2380090M24	LYT 10uF 50V 20%
C0611	2311049C06	CP 22uF 20% 35V
C0612	2113743E20	100nF 16V
C0622	2311049A99	CP 47uF 20%
C0641	2113741F17	470pF 50V
C0644	2311049A97	CHIP 33 UF
C0645	2113743E20	100nF 16VD
C0652	2311049A97	CHIP 33 UF 16
C0654	2311049A57	CP 10uF 10% 16V
C0655	2113743E20	100nF 16V
C0661	2311049C05	CP 47uF 10% 16V
C0662	2113741F49	10nF 50V
C0663	2113743E20	100nF 16V
C0671	2113743E20	100nF 16V

Circuit Ref	Motorola Part No	Description
C0681	2113743E20	100nF 16V
D0101	4880239E05	CHIP SCHOTTKY
D0151	4813833C02	DUAL SOT MMBD6100
D0179	4813833C02	DUAL SOT MMBD6100
D0301	4802245J47	SCHOTTKY BARRIER (RB471E)
Used in	GM398 only	
D0621	4813833C02	DUAL SOT MMBD6100
D0651	4813833C02	DUAL SOT MMBD6100
D0660	4813833C02	DUAL SOT MMBD6100
D0661	4813833C02	DUAL SOT MMBD6100
E0271	2484657R01	Ferrite Bead
E0272	2484657R01	Ferrite Bead
E0631	2484657R01	Ferrite Bead
F0401	6580542Z01	3A 24V
J0401	0902636Y02	CONN FLEX 12 PIN
J0451	0902636Y01	CONN FLEX SIDE ENTRY
J0501	0986105B01	CONN SMD 20 PIN
J0551	0905505Y04	CONN ZIF HORIZONTAL
J0552	0905505Y03	CONN ZIF 18PIN
J0601	0986165B01	DC PWR CONN
Q0110	4880048M01	NPN DIG 47k/47k
Q0151	4880048M01	NPN DIG 47k/47k
Q0171	4880048M01	NPN DIG 47k/47k
Q0173	4880052M01	NPN DRLNGTN MXTA
Q0177	4880048M01	NPN DIG 47k/47k
Q0181	4880048M01	NPN DIG 47k/47k
Q0183	4880048M01	NPN DIG 47k/47k
Q0185	4880048M01	NPN DIG 47k/47k
Q0271	4813824A10	NPN 40V .2A
Q0641	4880048M01	NPN DIG 47k/47k
Q0661	4805921T02	DUAL ROHM FMC2 RH
Q0662	4813824A10	NPN 40V .2A B=50-150

Circuit Ref	Motorola Part No	Description
Q0663	4880048M01	NPN DIG 47k/47k
Q0681	4880052M01	NPN DRLNGTN MXTA
R0101	0662057A73	10k 1/16W 5%
R0102	0662057A65	4k7 1/16W 5%
R0104	0662057A73	10k 1/16W 5%
R0105	0662057A97	100k 1/16W
Used in	GM338 only	
R0106	0662057B47	0 1/16W
Used in	GM398 only	
R0108	0662057A57	2k2 1/16W 5%
R0111	0662057B47	0 1/16W 0306
R0113	0662057A73	10k 1/16W 5%
R0114	0662057A73	10k 1/16W 5%
R0115	0662057A73	10k 1/16W 5%
R0117	0662057A63	3k9 1/16W 5%
R0121	0662057A97	100k 1/16W
R0131	0662057B46	10.0 MEG OHMS 5%
R0132	0662057B10	330k 1/16W 5%
R0151	0662057A82	24k 1/16W 5%
R0152	0662057A82	24k 1/16W 5%
R0170	0662057A73	10k 1/16W 5%
R0171	0662057A65	4k7 1/16W 5%
R0172	0662057A73	10k 1/16W 5%
R0173	0662057A65	4k7 1/16W 5%
R0174	0662057A73	10k 1/16W 5%
R0175	0662057A73	10k 1/16W 5%
R0176	0662057A84	30k 1/16W 5%
R0177	0662057A65	4k7 1/16W 5%
R0178	0662057A89	47k 1/16W 5%
R0179	0662057A89	47k 1/16W 5%
R0181	0662057A65	4k7 1/16W 5%
R0182	0662057A89	47k 1/16W 5%
R0183	0662057A65	4k7 1/16W 5%

Circuit Ref	Motorola Part No	Description
R0184	0662057A89	47k 1/16W 5%
R0185	0662057A65	4k7 1/16W 5%
R0186	0662057A89	47k 1/16W 5%
R0201	0662057A25	100 1/16W 5%
R0202	0662057A43	560 1/16W 5%
R0203	0662057A25	100 1/16W 5%
R0204	0662057A43	560 1/16W 5%
R0205	0662057A73	10k 1/16W 5%
R0206	0662057A73	10k 1/16W 5%
R0207	0662057A57	2k2 1/16W 5%
R0208	0662057A57	2k2 1/16W 5%
R0211	0660076E70	FILM 7500
R0212	0660076E70	FILM 7500
R0221	0662057A82	24k 1/16W 5%
R0222	0662057A82	24k 1/16W 5%
R0223	0662057A84	30k 1/16W 5%
R0224	0662057A71	8k2 1/16W 5%
R0228	0662057B47	0 1/16W
R0229	0662057A01	10 1/16W 5%
R0241	0662057A89	47k 1/16W 5%
R0242	0662057B47	0 1/16W
R0251	0662057A89	47k 1/16W 5%
R0252	0662057A91	56k 1/16W 5%
R0253	0662057A97	100k 1/16W
R0254	0662057A73	10k 1/16W 5% (CNTRL T7 only)
R0255	0662057A73	10k 1/16W 5% (CNTRL T7 only)
R0256	0662057A97	100k 1/16W (CNTRL T7 only)
R0257	0662057A57	2k2 1/16W 5% (CNTRL T7 only)
R0261	0662057A73	10k 1/16W 5%
R0262	0662057A97	100k 1/16W

Circuit Ref	Motorola Part No	Description
R0265	0662057A82	24K 1/16W 5%
R0267	0662057A89	47k 1/16W 5%
R0268	0662057A73	10k 1/16W 5%
R0269	0662057A41	470 1/16W 5%
R0273	0662057A82	24K 1/16W 5%
R0275	0662057A73	10k 1/16W 5%
R0276	0662057A77	15k 1/16W 5%
R0323 Used in	0662057A79 GM398 only	18k 1/16W 5%
R0324 Used in	0662057A79 GM398 only	18k 1/16W 5%
R0331 Used in	0662057A73 GM398 only	10k 1/16W 5%
R0332 Used in	0662057A73 GM398 only	10k 1/16W 5%
R0333 Used in	0662057A73 GM398 only	10k 1/16W 5%
R0335 Used in	0662057B02 GM398 only	150k 1/16W
R0341 Used in	0662057A73 GM398 only	10k 1/16W
R0342 Used in	0662057A55 GM398 only	1k8 1/16W
R0343 Used in	0662057B47 GM398 only	0 1/16W
R0344 Used in	0662057A91 GM398 only	56K 1/16W
R0345 Used in	0662057A66 GM398 only	5k1 1/16W
R0346 Used in	0662057A89 GM398 only	47k 1/16W
R0347 Used in	0662057A89 GM398 only	47k 1/16W
R0401	0662057A33	220 1/16W
R0407	0662057M26	10 5% 20X40
R0408	0662057A25	100 1/16W 5%
R0409	0662057M26	10 5% 20X40

Circuit Ref	Motorola Part No	Description
R0412	0662057B47	0 1/16W
R0441	0662057B47	0 1/16W
R0442 Used in	0662057A49	1k 1/16W 5% CNTRL T7 only
R0467	0662057M26	10 5% 20X40
R0468	0662057M26	10 5% 20X40 (CNTRL T6)
R0468	0662057A97	100k 1/16W (CNTRL T7)
R0481	0662057B47	0 1/16W
R0482	0662057B47	0 1/16W
R0510	0662057A65	4k7 1/16W 5%
R0511	0662057A97	100k 1/16W
R0512	0662057A77	15k 1/16W 5%
R0525	0662057A97	100k 1/16W
R0529	0662057A89	47k 1/16W 5%
R0530	0662057B47	0 1/16W
R0531	0662057A43	560 1/16W 5%
R0533	0662057B47	0 1/16W
R0535	0662057A49	1k 1/16W 5%
R0537	0662057A33	220 1/16W 5%
R0538	0662057A33	220 1/16W 5%
R0539	0662057A65	4k7 1/16W 5%
R0541	0662057A83	27k 1/16W 5%
R0543	0662057A97	100k 1/16W (CNTRL T7 only)
R0591	0662057A82	24K 1/16W 5%
R0592	0662057A01	10 1/16W 5%
R0593	0662057A97	100k 1/16W (CNTRL T7 only)
R0611	0662057A91	56K 1/16W
R0612	0662057A65	4k7 1/16W
R0621	0662057A82	24K 1/16W
R0641	0662057A73	10k 1/16W
R0642	0660076E70	FILM 7500

Circuit Ref	Motorola Part No	Description
R0643	0660076E51	FILM 1200
R0651	0662057A01	10 1/16W 5%
R0652	0662057A01	10 1/16W 5%
R0661	0662057A49	1k 1/16W 5%
R0662	0662057B02	150k 1/16W
R0671	0662057A84	30k 1/16W 5%
R0672	0662057A73	10k 1/16W 5%
R0681	0662057A79	18k 1/16W 5%
R0682	0662057A93	68k 1/16W 5%
U0101	5102226J56	MICRO PROCESSOR MC68HC11 FLO
* U0111	5102463J64	EEPROM X25128-2.7 SO8
* U0121	5186137B01	512KX8 FLASH ROM (AT49BV020)
U0122	5185963A21	32k x 8 SRAM
U0141	5113805A30	10F8 DDDR/REMUX 74HC138
U0211	5183222M49	QUAD OPAMP __3403
U0221	5185963A53	ASFICOMP 0.5MM TQFP
U0251	5113806A20	MUX/DEMUX, TRIPLE 2-
U0271	5109699X01	AUDIO PA TDA1519C
U0301 Used in	5109152M01 GM398 only	EEPROM ANALOG ISD33120EI
U0331 Used in	5186204B01 GM398 only	BUFFER/DRIVER 74AHCT1G125
U0341 Used in	5180932W01 GM398 only	LINEAR IC OP AMP
U0342 Used in	5105750U28 GM398 only	SINGL ANALOG SWITCH SMD
U0351 Used in	5102463J40 GM398 only	REGULATOR, 3.3V, LP2951CM-3.3
U0611	5183308X01	ADJ VLTG REG LM2941 TO263
U0641	5183308X01	ADJ VLTG REG LM2941 TO263

Circuit Ref	Motorola Part No	Description
U0651	5113816A07	REG 5V POS 500MA MC78M05
U0652	5113815A02	MC33064
VR0151	4813830A15	5.6V 5% 225mW
VR0501	4805656W09	ZENER QUAD MMQA20VT1
VR0503	4805656W09	ZENER QUAD MMQA20VT1
VR0504	4813830A40	SOC23 AUTO SDN
VR0505	4805656W09	ZENER QUAD MMQA20VT1
VR0509	4813830A40	SOC23 AUTO SDN
VR0510	4813830A40	SOC23 AUTO SDN
VR0537	4813830A15	5.6V 5% 225mW
VR0541	4813830A27	14V 5% 225MW
VR0601	4813832C77	TRANS SUP. 24V HIGH POWER
VR0621	4813830A15	5.6V 5% 225mW
Y0131	4880113R19	CRYSTAL 38.4KHZ

* Motorola Depot Servicing only

Reference designators with an asterisk indicate components which are not fieldreplaceable because they need to be calibrated with specialized factory equipment after installation. Radios in which these parts have been replaced in the field will be off frequency at temperature extremes.

3.2 Controller T9 Parts List

Circuit Ref	Motorola Part No	Description
C0101	2113740F51	100pF
C0107	2113741F25	1000pF
C0112	2113743E20	10uF
C0121	2113743E20	10uF
C0122	2113743E20	10uF
C0131	2113740F35	22pF
C0132	2113740F35	22pF
C0141	2113743E20	10uF
C0151	2113741F49	10nF
C0201	2311049A57	10uF
C0202	2311049A57	10uF
C0204	2113743E20	10uF
C0212	2311049A57	10uF
C0221	2113743E20	10uF
C0222	2113743E20	10uF
C0223	2113743E20	10uF
C0224	2113740F51	100pF
C0225	2113743E20	10uF
C0226	2113743E20	10uF
C0228	2311049A56	4.7uF
C0231	2113743B29	1uF
C0232	2113743E20	10uF
C0234	2113743E20	10uF
C0235	2113743E07	0.022uF
C0236	2113743E10	0.033uF
C0241	2113743E20	10uF
C0243	2113740F51	100pF
C0244	2113743E20	10uF
C0245	2113743E20	10uF
C0246	2113741F49	10nF
C0251	2113743E20	10uF

Circuit Ref	Motorola Part No	Description
C0252	2311049A07	1uF
C0254	2113743E20	10uF
C0255	2113743E20	10uF
C0256	2113740F51	100pF
C0261	2113743E20	10uF
C0262	2113740F49	82pF
C0265	2113743E20	10uF
C0267	2113741F49	10nF
C0271	2113741F49	10nF
C0272	2113743E20	10uF
C0273	2113741F37	3300pF
C0275	2311049A99	47uF
C0276	2113741F25	1000pF
C0277	2113741F25	1000pF
C0301	2311049A07	1uF
C0302	2113743E20	10uF
C0303	2113740F51	100pF
C0304	2113743E20	10uF
C0305	2113743E20	10uF
C0324	2113743E20	10uF
C0331	2113743E20	10uF
C0341	2311049A07	1uF
C0342	2113743E20	10uF
C0343	2113743E20	10uF
C0344	2113743E20	10uF
C0351	2113743E20	10uF
C0352	2113743E07	0.022uF
C0353	2311049A97	33uF
C0354	2113743E20	10uF
C0421	2113743N48	82pF
C0422	2113741F17	470pF
C0423	2113741F17	470pF

Circuit Ref	Motorola Part No	Description
C0426	2113743L09	470pF
C0427	2113743L09	470pF
C0428	2113743N48	82pF
C0429	2113743L09	470pF
C0430	2113741F17	470pF
C0431	2113741F17	470pF
C0441	2113743L09	470pF
C0442	2113743L09	470pF
C0445	2113743L09	470pF
C0446	2113743L09	470pF
C0447	2113743L09	470pF
C0448	2113743L09	470pF
C0449	2113743L09	470pF
C0470	2113743L09	470pF
C0471	2113743N48	82pF
C0472	2113743N48	82pF
C0473	2113743N48	82pF
C0474	2113743L09	470pF
C0476	2113743L09	470pF
C0477	2113743L09	470pF
C0478	2113743L09	470pF
C0482-		
C0488	2113743L09	470pF
C0490-		
C0497	2113743L09	470pF
C0499	2113743L09	470pF
C0501	2113741F49	10nF
C0502	2113741F17	470pF
C0503	2113741F17	470pF
C0504	2113741F17	470pF
C0505	2113741F17	470pF
C0506	2113741F17	470pF

Circuit Ref	Motorola Part No	Description
C0508	2113741F17	470pF
C0509	2113741F17	470pF
C0510	2113741F17	470pF
C0511	2113741F17	470pF
C0512	2113741F17	470pF
C0513	2113741F17	470pF
C0514	2113741F17	470pF
C0515	2113741F17	470pF
C0516	2113741F49	10nF
C0517	2113743N48	82pF
C0518	2113741F17	470pF
C0541	2311049A05	0.47uF
C0542	2311049A99	47uF
C0560	2113741F25	1000pF
C0591	2113743E20	10uF
C0592	2113743E20	10uF
C0593	2113741B69	100K F
C0601	2113741F17	470pF
C0603	2380090M24	10uF
C0611	2311049C06	47uF
C0612	2113743E20	10uF
C0622	2311049A99	47uF
C0641	2113741F17	470pF
C0644	2311049A97	33uF
C0645	2113743E20	10uF
C0652	2311049A97	33uF
C0654	2311049A57	10uF
C0655	2113743E20	10uF
C0661	2311049C05	47uF
C0662	2113741F49	10nF
C0663	2113743E20	10uF
C0671	2113743E20	10uF

Circuit Ref	Motorola Part No	Description
C0681	2113743E20	10uF
D0101	4813825A05	DIODE
D0151	4813833C02	DIODE, DUAL 70V
D0179	4813833C02	DIODE, DUAL 70V
D0301	4802245J47	DIODE, SCHOTTKY
D0621	4813833C02	DIODE, DUAL 70V
D0651	4813833C02	DIODE, DUAL 70V
D0660	4813833C02	DIODE, DUAL 70V
D0661	4813833C02	DIODE, DUAL 70V
E0271	2484657R01	Ferrite Bead
E0272	2484657R01	Ferrite Bead
E0631	2484657R01	Ferrite Bead
F0401	6580542Z01	FUSE 3A
J0401	0902636Y02	12 POS. FLEX CONN
J0451	0902636Y01	CONN, FLEX, SIDE ENTRY
J0501	0986105B01	CONN, SMD, 20 Pin
J0551	0905505Y04	CONN ZIF HORIZONTAL
J0552	0905505Y03	CONN ZIF HORIZONTAL
J0601	0986165B01	MOBILE DC PWR CONN
Q0110	4880048M01	NPN
Q0151	4880048M01	NPN
Q0171	4880048M01	NPN
Q0173	4880052M01	NPN DARLINGTON
Q0177	4880048M01	NPN
Q0181	4880048M01	NPN
Q0183	4880048M01	NPN
Q0185	4880048M01	NPN
Q0271	4880214G02	NPN
Q0641	4880048M01	NPN
Q0661	4805921T02	TRANSISTOR DUAL DIGI-TAL NPN/PNP
Q0662	4880214G02	NPN

Circuit Ref	Motorola Part No	Description
Q0663	4880048M01	NPN
Q0681	4880052M01	NPN DARLINGTON
R0101	0662057A73	10K Ohm
R0102	0662057A65	4700 Ohm
R0103	0662057B47	0 Ohm
R0104	0662057A73	10K Ohm
R0106	0662057B47	0 Ohm
R0108	0662057A57	2200 Ohm
R0111	0662057B47	0 Ohm
R0113	0662057A73	10K Ohm
R0114	0662057A73	10K Ohm
R0115	0662057A73	10K Ohm
R0117	0662057A63	3900 Ohm
R0121	0662057A97	100K Ohm
R0131	0662057B46	10M Ohm
R0132	0662057B10	330K Ohm
R0151	0662057A82	24K Ohm
R0152	0662057A82	24K Ohm
R0170	0662057A73	10K Ohm
R0171	0662057A65	4700 Ohm
R0172	0662057A73	10K Ohm
R0173	0662057A65	4700 Ohm
R0174	0662057A73	10K Ohm
R0175	0662057A73	10K Ohm
R0176	0662057A84	30K Ohm
R0177	0662057A65	4700 Ohm
R0178	0662057A89	47K Ohm
R0179	0662057A89	47K Ohm
R0181	0662057A65	4700 Ohm
R0182	0662057A89	47K Ohm
R0183	0662057A65	4700 Ohm
R0184	0662057A89	47K Ohm

Circuit Ref	Motorola Part No	Description
R0185	0662057A65	4700 Ohm
R0186	0662057A89	47K Ohm
R0201	0662057A25	100 Ohm
R0202	0662057A43	560 Ohm
R0203	0662057A25	100 Ohm
R0204	0662057A43	560 Ohm
R0205	0662057A73	10K Ohm
R0206	0662057A73	10K Ohm
R0207	0662057A57	2200 Ohm
R0208	0662057A57	2200 Ohm
R0211	0660076E70	7500 Ohm
R0212	0660076E70	7500 Ohm
R0221	0662057A82	24K Ohm
R0222	0662057A82	24K Ohm
R0223	0662057A84	30K Ohm
R0224	0662057A71	8200 Ohm
R0228	0662057B47	0 Ohm
R0229	0662057A01	10 Ohm
R0241	0662057A89	47K Ohm
R0242	0662057B47	0 Ohm
R0251	0662057A89	47K Ohm
R0252	0662057A91	56K Ohm
R0253	0662057A97	100K Ohm
R0254	0662057A73	10K Ohm
R0255	0662057A73	10K Ohm
R0256	0662057A97	100K Ohm
R0257	0662057A57	2200 Ohm
R0261	0662057A73	10K Ohm
R0262	0662057A97	100K Ohm
R0265	0662057A82	24K Ohm
R0267	0662057A89	47K Ohm
R0268	0662057A73	10K Ohm

Circuit Ref	Motorola Part No	Description
R0269	0662057A41	470 Ohm
R0273	0662057A82	24K Ohm
R0275	0662057A73	10K Ohm
R0276	0662057A77	15K Ohm
R0323	0662057A79	18K Ohm
R0324	0662057A79	18K Ohm
R0331	0662057A73	10K Ohm
R0332	0662057A73	10K Ohm
R0333	0662057A73	10K Ohm
R0335	0662057B02	150K Ohm
R0341	0662057A73	10K Ohm
R0342	0662057A55	1800 Ohm
R0343	0662057B47	0 Ohm
R0344	0662057A91	56K Ohm
R0345	0662057A66	5100 Ohm
R0346	0662057A89	47K Ohm
R0347	0662057A89	47K Ohm
R0401	0662057A33	220 Ohm
R0407	0662057M26	10 Ohm
R0408	0662057A25	100 Ohm
R0409	0662057M26	10 Ohm
R0412	0662057B47	0 Ohm
R0441	0662057B47	0 Ohm
R0442	0662057A49	1000 Ohm
R0467	0662057M26	10 Ohm
R0468	0662057A97	100K Ohm
R0481	0662057B47	0 Ohm
R0482	0662057B47	0 Ohm
R0510	0662057A65	4700 Ohm
R0511	0662057A97	100K Ohm
R0512	0662057A77	15K Ohm
R0525	0662057A97	100K Ohm

Circuit Ref	Motorola Part No	Description
R0529	0662057A89	47K Ohm
R0530	0662057B47	0 Ohm
R0531	0662057A43	560 Ohm
R0533	0662057B47	0 Ohm
R0535	0662057A49	1000 Ohm
R0537	0662057A33	220 Ohm
R0538	0662057A33	220 Ohm
R0539	0662057A65	4700 Ohm
R0541	0662057A83	27K Ohm
R0543	0662057A97	100K Ohm
R0555	0662057A25	100 Ohm
R0556	0662057A25	100 Ohm
R0591	0662057A82	24K Ohm
R0592	0662057A01	10 Ohm
R0593	0662057A97	100K Ohm
R0611	0662057A91	56K Ohm
R0612	0662057A65	4700 Ohm
R0621	0662057A82	24K Ohm
R0641	0662057A73	10K Ohm
R0642	0660076E70	7500 Ohm
R0643	0660076E51	1200 Ohm
R0651	0662057A01	10 Ohm
R0652	0662057A01	10 Ohm
R0661	0662057A49	1000 Ohm
R0662	0662057B02	150K Ohm
R0671	0662057A84	30K Ohm
R0672	0662057A73	10K Ohm
R0681	0662057A79	18K Ohm
R0682	0662057A93	68K Ohm
U0101	5102226J56	MICROPROCESSOR
U0111	5102463J64	EEPROM
U0121	5186137B01	IC, FLASH ROM

Circuit Ref	Motorola Part No	Description
U0122	5185748L01	SRAM
U0141	5113805A30	IC 10F8 DCDDR/REMUX 74HC138
U0211	5183222M49	IC, QUAD OPAMP
U0221	5185130C53	IC, ASFIC
U0251	5184704M60	IC-CMOS ANALOG
U0271	5109699X01	AUDIO PA
U0301	5109152M01	IC, EEPROM ANALOG
U0331	5186204B01	IC, BUFFER DRIVER
U0341	5113818A01	LOW POWER SUPPLY
U0342	5105750U28	IC CMOS SWITCH
U0351	5102463J40	REGULATOR, 3.3V
U0611	5183308X01	ADJUSTABLE VOLTAGE REGULATOR
U0641	5183308X01	ADJUSTABLE VOLTAGE REGULATOR
U0651	5113816A07	REGULATOR, 5V
U0652	5113815A02	UNDERVOLT SENSOR
VR0151	4813830A15	DIODE, 5.6V
VR0501	4805656W09	DIODE, ZENER
VR0503	4805656W09	DIODE, ZENER
VR0504	4813830A40	DIODE, ZENER
VR0505	4805656W09	DIODE, ZENER
VR0509	4813830A40	DIODE, ZENER
VR0510	4813830A40	DIODE, ZENER
VR0537	4813830A15	DIODE, 5.6V
VR0541	4813830A27	DIODE, 14V
VR0601	4813832C77	DIODE
VR0621	4813830A15	DIODE, 5.6V
Y0131	4880113R19	CRYSTAL 38.4KHZ

* Motorola Depot Servicing only
 Reference designators with an asterisk indicate components which are not field replaceable because they need to be calibrated with specialized factory equipment after installation. Radios in which these parts have been replaced in the field will be off frequency at temperature extremes.

THIS PAGE INTENTIONALLY LEFT BLANK



GM328/GM338/GM398

Mobile Radios

VHF (136-174MHz)

Service Information

Computer Software Copyrights

The Motorola products described in this manual may include copyrighted Motorola computer programs stored in semiconductor memories or other media. Laws in the United States and other countries preserve for Motorola certain exclusive rights for copyrighted computer programs, including the exclusive right to copy or reproduce in any form, the copyrighted computer program. Accordingly, any copyrighted Motorola computer programs contained in the Motorola products described in this manual may not be copied or reproduced in any manner without the express written permission of Motorola. Furthermore, the purchase of Motorola products shall not be deemed to grant, either directly or by implication, estoppel or otherwise, any license under the copyrights, patents or patent applications of Motorola, except for the normal non-exclusive royalty-free license to use that arises by operation of law in the sale of a product.

Table of Contents

Section 1 Model Chart and Technical Specifications

1.0 GM328/GM338/GM398 Model Chart	1-1
2.0 Technical Specifications	1-2

Section 2 Theory of Operation

1.0 Introduction	2-1
2.0 VHF (136-174 MHz) Receiver.....	2-1
2.1 Receiver Front-End	2-1
2.2 Front-End Band-Pass Filters & Pre-Amplifier	2-2
2.3 First Mixer and High Intermediate Frequency (IF).....	2-2
2.4 Low Intermediate Frequency (IF) and Receiver Back End.....	2-3
3.0 VHF (136-174 MHz) Transmitter Power Amplifier (PA) 25 W.....	2-3
3.1 First Power Controlled Stage.....	2-4
3.2 Power Controlled Driver Stage	2-4
3.3 Final Stage	2-4
3.4 Directional Coupler	2-5
3.5 Antenna Switch.....	2-5
3.6 Harmonic Filter	2-5
3.7 Power Control.....	2-5
4.0 VHF (136-174 MHz) Frequency Synthesis	2-6
4.1 Reference Oscillator	2-6
4.2 Fractional-N Synthesizer	2-6
4.3 Voltage Controlled Oscillator (VCO).....	2-7
4.4 Synthesizer Operation	2-8

Section 3 Troubleshooting Charts

1.0 Troubleshooting Flow Chart for Receiver	3-1
2.0 Troubleshooting Flow Chart for 25W Transmitter	3-3
3.0 Troubleshooting Flow Chart for Synthesizer.....	3-6
4.0 Troubleshooting Flow Chart for VCO.....	3-7

Section 4 VHF PCBs/Schematics/Parts Lists

1.0	Allocation of Schematics and Circuit Boards	4-1
1.1	Controller Circuits	4-1
2.0	VHF 1-25W PCBs / Schematics / Parts Lists	4-3
	VHF (136-174 MHz) 1-25W 8486172B06 Top Side	4-3
	VHF (136-174 MHz) 1-25W 8486172B06 Bottom Side	4-4
	VHF (136-174 MHz) Power Amplifier 1-25W	4-5
	VHF (136-174 MHz) FRACN	4-6
	VHF (136-174 MHz) Voltage Controlled Oscillator	4-7
	VHF (136-174 MHz) Receiver Front End	4-8
	VHF (136-174 MHz) IF	4-9
	VHF PCB 8486172B06 Parts List 1-25W	4-10
	VHF (136-174 MHz) 1-25W 8486172B07 Top Side	4-13
	VHF (136-174 MHz) 1-25W 8486172B07 Bottom Side	4-14
	VHF (136-174 MHz) IF	4-15
	VHF (136-174 MHz) FRACN	4-16
	VHF PCB 8486172B07 Parts List 1-25W	4-17

Section 1

MODEL CHART AND TECHNICAL SPECIFICATIONS

1.0 GM328/GM338/GM398 Model Chart

GM Series, VHF 136-174 MHz			
Model			Description
AZM25KHC9AA1			GM328 136-174 MHz 1-25W
AZM25KHF9AA5			GM338 136-174 MHz 1-25W
AZM25KHN9AA8			GM398 136-174 MHz 1-25W
Item			Description
X		GCN6112_	GM328 Control Head Direct Mount
	X	GCN6114_	GM338 Control Head Direct Mount
		X GCN6115_	GM398 Control Head Direct Mount
X	X	IMUD6010_	Tanapa WM 136-174 MHz 1-25W
		X IMUD6023_	Tanapa WM 136-174 MHz 1-25W
X	X	X RAD4198_	BNC 136-144 MHz, 1/4 Wave Roof Mount
X	X	X RAD4199_	BNC 146-150.8 MHz, 1/4 Wave Roof Mount
X	X	X RAD4200_	BNC 150.8-162 MHz, 1/4 Wave Roof Mount
X	X	X RAD4201_	BNC 162-174 MHz, 1/4 Wave Roof Mount
X	X	X RAD4202_	BNC 146-172 MHz, 3dB Gain Roof Mount
X		6804113J74	GM328 User Guide
	X	6804112J06	GM338 User Guide
		X 6804112J07	GM398 User Guide

x = Indicates one of each is required.

2.0 Technical Specifications

Data is specified for +25°C unless otherwise stated.

General Specifications	
Channel Capacity GM328 GM338 GM398	4 128 160
Power Supply	13.2Vdc (10.8 - 15.6Vdc)
Dimensions: H x W x D (mm) Depth excluding knobs	GM328 56mm x 176mm x 177mm (add 8mm for Volume Knob)
Dimensions: H x W x D (mm) Depth excluding knobs	GM338 59mm x 179mm x 186mm (1 - 25W) 59mm x 179mm x 198mm (25 - 45W) (add 9mm for Volume Knob)
Dimensions: H x W x D (mm) Depth excluding knobs	GM398 72mm x 185mm x 188mm (add 7mm for Volume Knob)
Weight GM328/GM338	1400 g
Weight GM398	1500 g
Sealing:	Withstands rain testing per MIL STD 810 C/D /E and IP54
Shock and Vibration:	Protection provided via impact resistant housing exceeding MIL STD 810-C/D /E
Dust, Salt & Fog	Protection provided via environment resistant housing exceeding MIL STD 810 C/D /E

Transmitter	VHF
*Frequencies - Full Bandsplit	VHF 136-174 MHz
Channel Spacing	12.5/20/25 kHz
Frequency Stability (-30°C to +60°C, +25° Ref.)	±2.5 ppm
Power	1-25W
Modulation Limiting	±2.5 @ 12.5 kHz ±4.0 @ 20 kHz ±5.0 @ 25 kHz
FM Hum & Noise	-40 dB @ 12.5kHz -45 dB @ 20/25kHz
Conducted/Radiated Emission (ETS)	-36 dBm <1 GHz -30 dBm >1 GHz
Adjacent Channel Power	-60 dB @ 12.5 kHz -70 dB @ 25 kHz
Audio Response (300 - 3000Hz)	+1 to -3 dB
Audio Distortion @ 1000Hz, 60% Rated Maximum Deviation	<3% typical

Receiver	VHF
*Frequencies - Full Bandsplit	VHF 136-174 MHz
Channel Spacing	12.5/20/25 kHz
Sensitivity (12 dB SINAD)	0.30 µV (0.22 µV typical)
Intermodulation (ETS)	>65 dB Base Mode: >70dB (1-25W model only)
Adjacent Channel Selectivity (ETS)	65 dB @ 12.5 kHz 75 dB @ 20 kHz 80 dB @ 25 kHz
Spurious Rejection (ETS)	75 dB @ 12.5 kHz 80 dB @ 20/25 kHz
Rated Audio	3W Internal 13W External
Audio Distortion @ Rated Audio	<3% typical
Hum & Noise	-40 dB @ 12.5 kHz -45 dB @ 20/25 kHz
Audio Response (300 - 3000Hz @ 20/25kHz) (300 - 2550Hz @ 12.5kHz)	+1 to -3 dB
Conducted Spurious Emission (ETS)	-57 dBm <1 GHz -47 dBm >1 GHz

*Availability subject to the laws and regulations of individual countries.

THIS PAGE INTENTIONALLY LEFT BLANK

Section 2

THEORY OF OPERATION

1.0 Introduction

This Chapter provides a detailed theory of operation for the VHF circuits in the radio. For details of the theory of operation and troubleshooting for the the associated Controller circuits refer to the Controller Section of this manual.

2.0 VHF (136-174 MHz) Receiver

2.1 Receiver Front-End

The receiver is able to cover the VHF range from 136 to 174 MHz. It consists of four major blocks: front-end bandpass filters and pre-amplifier, first mixer, high-IF, low-IF and receiver back-end. Two varactor-tuned bandpass filters perform antenna signal pre-selection. A cross over quad diode mixer converts the signal to the first IF of 44.85 MHz. High-side first injection is used.

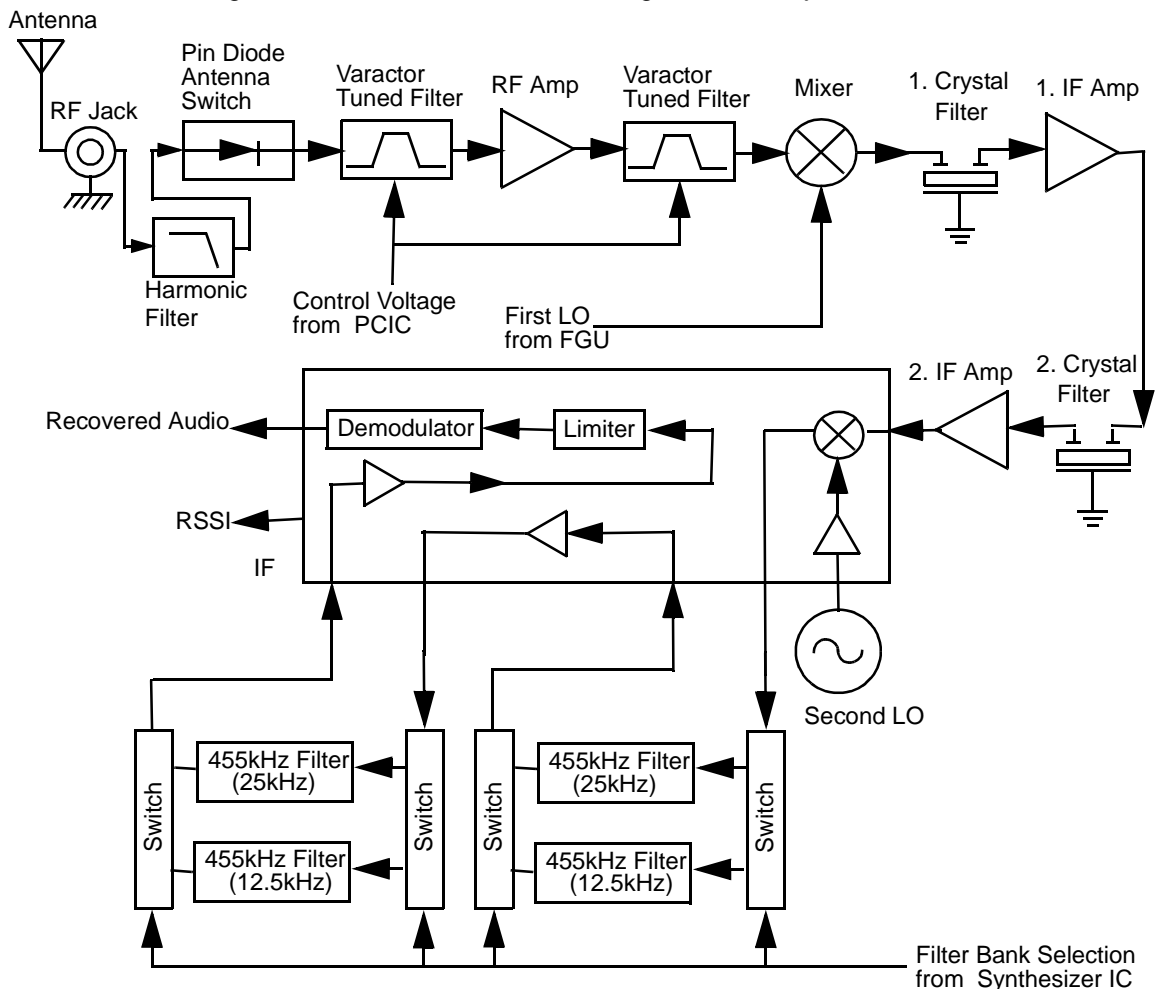


Figure 2-1 VHF Receiver Block Diagram

There are two 2-pole 44.85 MHz crystal filters in the high-IF section and 2 pairs of 455 kHz ceramic filters in the low-IF section to provide the required adjacent channel selectivity. The correct pair of ceramic filters for 12.5 or 25kHz channel spacing is selected via control line BWSELECT. The second IF at 455 kHz is mixed, amplified and demodulated in the IF IC. The processing of the demodulated audio signal is performed by an audio processing IC located in the controller section.

2.2 Front-End Band-Pass Filters & Pre-Amplifier

The received signal from the radio's antenna connector is first routed through the harmonic filter and antenna switch, which are part of the RF power amplifier circuitry, before being applied to the receiver pre-selector filter (C3001, C3002, D3001 and associated components). The 2-pole pre-selector filter tuned by the dual varactor diode D3001 pre-selects the incoming signal (RXIN) from the antenna switch to reduce spurious effects to following stages. The tuning voltage (FECNTL_1) ranging from 2 volts to 8 volts is controlled by pin 20 of PCIC (U3501) in the Transmitter section. A dual hot carrier diode (D3003) limits any inband signal to 0 dBm to prevent damage to the pre-amplifier.

The RF pre-amplifier is an SMD device (Q3001) with collector-base feedback to stabilize gain, impedance, and intermodulation. Transistor Q3002 compares the voltage drop across resistor R3002 with a fixed base voltage from divider R3011, R3000 and R3012, and adjusts the base current of Q3001 as necessary to maintain its collector current constant at approximately 15-20 mA. Operating voltage is from the regulated 9.3V supply (9V3). During transmit, 9.1 volts (K9V1) turns off both transistors Q3002 and Q3001. This protects the RF pre-amplifier from excessive dissipation during transmit mode. A switchable 3dB pad (R3022, R3024, R3016 and R3018) controlled via Line FECNTL_2 and Q3021 stabilizes the output impedance and intermodulation performance.

A second 2-pole varactor tuned bandpass filter provides additional filtering of the amplified signal. The dual varactor diode D3004 is controlled by the same signal FECNTL_1, which controls the pre-selector filter.

2.3 First Mixer and High Intermediate Frequency (IF)

The signal coming from the front-end is converted to the high-IF frequency of 44.85 MHz using a cross over quad diode mixer (D3031). Its ports are matched for incoming RF signal conversion to the 44.85 MHz IF using high side injection. The high-side injection signal (RXINJ) from the frequency synthesizer circuitry has a level of approximately 13 dBm and is injected via matching transformer T3002.

The mixer IF output signal (IF) from transformer T3001 pin 2 is fed to the first two pole crystal filter FL3101. The filter output in turn is matched to the following IF amplifier.

The IF amplifier Q3101 is actively biased by a collector base feedback (R3101, R3106) to a current drain of approximately 5 mA drawn from the voltage 5V. Its output impedance is matched to the second two pole crystal filter FL3102. The signal is further amplified by a preamplifier (Q3102) before going into pin 1 of IFIC (U3101).

A dual hot carrier diode (D3101) limits the filter output voltage swing to reduce overdrive effects at RF input levels above -27 dBm.

2.4 Low Intermediate Frequency (IF) and Receiver Back End

The 44.85 MHz high-IF signal from the second IF amplifier feeds the IF IC (U3101) at pin 1. Within the IF IC, the 44.85 MHz high IF signal mixes with the 44.395 MHz second local oscillator (2nd LO) to produce the low-IF signal at 455 kHz. The 2nd LO frequency is determined by crystal Y3101. The low IF signal is amplified and filtered by an external pair of 455 kHz ceramic filters FL3112, FL3114 for 20/25 kHz channel spacing or FL3111, FL3113/F3115 for 12.5 kHz channel spacing. These pairs are selectable via BWSELECT. The filtered output from the ceramic filters is applied to the limiter input pin of the IF IC (pin 14).

The IF IC contains a quadrature detector using a ceramic phase-shift element (Y3102) to provide audio detection. Internal amplification provides an audio output level of 120 mVrms (at 60% deviation) from U3101 pin 8 (DISCAUDIO) which is fed to the ASFIC_CMP (U0221) pin 2 (part of the Controller circuitry).

A Received Signal Strength Indicator (RSSI) signal is available at U3101 pin 5, having a dynamic range of 70 dB. The RSSI signal is interpreted by the microprocessor (U0101 pin 63) and in addition is available at accessory connector J0501-15.

3.0 VHF (136-174 MHz) Transmitter Power Amplifier (PA) 25 W

The radio's 25 W PA is a three stage amplifier used to amplify the output from the VCOBIC to the radio transmit level. All three stages utilize LDMOS technology. The gain of the first stage (U3401) and the second stage (Q3421) is adjustable, controlled by pin 4 of PCIC (U3501) via U3402-1 and U3402-2. It is followed by an LDMOS final stage (Q3441).

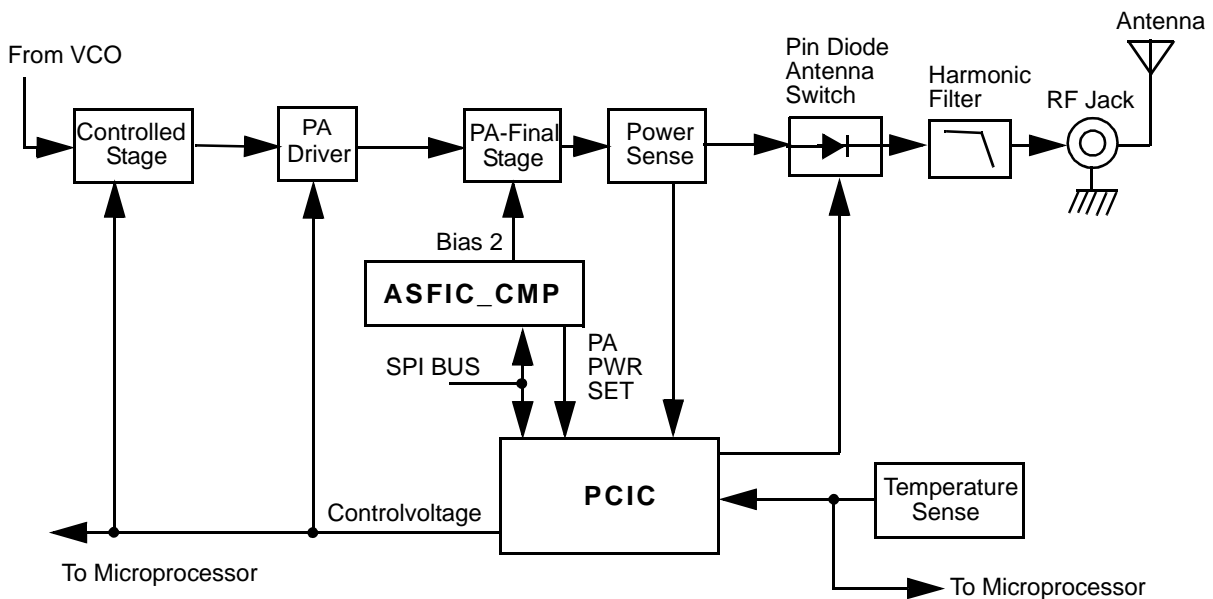


Figure 2-2 VHF Transmitter Block Diagram

Devices U3401, Q3421 and Q3441 are surface mounted. A pressure pad between board and the radio's cover provides good thermal contact between the devices and the chassis.

3.1 First Power Controlled Stage

The first stage (U3401) is a 20dB gain integrated circuit containing two LDMOS FET amplifier stages. It amplifies the RF signal from the VCO (TXINJ). The output power of stage U3401 is controlled by a DC voltage applied to pin 1 from the op-amp U3402-1, pin 1. The control voltage simultaneously varies the bias of two FET stages within U3401. This biasing point determines the overall gain of U3401 and therefore its output drive level to Q3421, which in turn controls the output power of the PA.

Op-amp U3402-1 monitors the drain current of U3401 via resistor R3444 and adjusts the bias voltage of U3401 so that the current remains constant. The PCIC (U3501) provides a DC output voltage at pin 4 (INT) which sets the reference voltage of the current control loop. A raising power output causes the DC voltage from the PCIC to fall, and U3402-1 adjusts the bias voltage for a lower drain current to lower the gain of the stage.

In receive mode the DC voltage from PCIC pin 23 (RX) turns on Q3442, which in turn switches off the biasing voltage to U3401.

Switch S3440 is a pressure pad with a conductive strip which connects two conductive areas on the board when the radio's cover is properly screwed to the chassis. When the cover is removed, S3440 opens and the resulting high voltage level at the inverting inputs of the current control op-amps U3402-1 & 2 switches off the biasing of U3401 and Q3421. This prevents transmitter key up while the devices do not have proper thermal contact to the chassis.

3.2 Power Controlled Driver Stage

The next stage is an LDMOS device (Q3421) providing a gain of 12dB. This device requires a positive gate bias and a quiescent current flow for proper operation. The bias is set during transmit mode by the drain current control op-amp U3402-2, and fed to the gate of Q3421 via the resistive network R3429, R3418, R3415 and R3416.

Op-amp U3402-2 monitors the drain current of U3421 via resistors R3424-27 and adjusts the bias voltage of Q3421 so that the current remains constant. The PCIC (U3501) provides a DC output voltage at pin 4 (INT) which sets the reference voltage of the current control loop. A raising power output causes the DC voltage from the PCIC to fall, and U3402-2 adjusts the bias voltage for a lower drain current to lower the gain of the stage.

In receive mode the DC voltage from PCIC pin 23 (RX) turns on Q3422, which in turn switches off the biasing voltage to Q3421.

3.3 Final Stage

The final stage is an LDMOS device (Q3441) providing a gain of 12dB. This device also requires a positive gate bias and a quiescent current flow for proper operation. The voltage of the line MOSBIAS_2 is set in transmit mode by the ASFIC and fed to the gate of Q3441 via the resistive network R3404, R3406, and R3431-5. This bias voltage is tuned in the factory. If the transistor is replaced, the bias voltage must be tuned using the Customer Programming Software (CPS). Care must be taken not to damage the device by exceeding the maximum allowed bias voltage. In receive mode U3402-2 pulls the bias voltage to low via D3401. The device's drain current is drawn directly from the radio's DC supply voltage input, PASUPVLTG, via L3436 and L3437.

A matching network consisting of C3441-49, L3443, and two striplines, transforms the impedance to 50 ohms and feeds the directional coupler.

3.4 Directional Coupler

The directional coupler is a microstrip printed circuit, which couples a small amount of the forward power delivered by Q3441. The coupled signal is rectified by D3451. The DC voltage is proportional to the RF output power and feeds the RFIN port of the PCIC (U3501 pin 1). The PCIC controls the gain of stage U3401 and Q3421 as necessary to hold this voltage constant, thus ensuring the forward power out of the radio to be held to a constant value.

3.5 Antenna Switch

The antenna switch consists of two PIN diodes, D3471 and D3472. In the receive mode, both diodes are off. Signals applied at the antenna jack J3401 are routed, via the harmonic filter, through network L3472, C3474 and C3475, to the receiver input. In the transmit mode, K9V1 turns on Q3471 which enables current sink Q3472, set to 96 mA by R3473 and VR3471. This completes a DC path from PASUPVLTG, through L3437, D3471, L3472, D3472, L3471, R3474 and the current sink, to ground. Both diodes are forward biased into conduction. The transmitter RF from the directional coupler is routed via D3471 to the harmonic filter and antenna jack. D3472 also conducts, shunting RF power and preventing it from reaching the receiver port (RXIN). L3472 is selected to appear as a $\lambda / 4$ wave transmission line, making the short circuit presented by D3472 appear as an open circuit at the junction of D3472 and the receiver path.

3.6 Harmonic Filter

Components L3491-L3493 and L3472, C3491-C3499 form a Chebychev low-pass filter to attenuate harmonic energy of the transmitter to specifications level. R3491 is used to drain electrostatic charge that might otherwise build up on the antenna. The harmonic filter also prevents high level RF signals above the receiver passband from reaching the receiver circuits, improving spurious response rejection.

3.7 Power Control

The transmitter uses the Power Control IC (PCIC, U3501) to control the power output of the radio. A portion of the forward RF power from the transmitter is sampled by the directional coupler and rectified, to provide a DC voltage to the RFIN port of the PCIC (pin 1) which is proportional to the sampled RF power.

The ASFIC (U0221) has internal digital to analog converters (DACs) which provide a reference voltage of the control loop to the PCIC via R3505. The reference voltage level is programmable through the SPI line of the PCIC. This reference voltage is proportional to the desired power setting of the transmitter, and is factory programmed at several points across the frequency range of the transmitter to offset frequency response variations of the transmitter's power detector circuit.

The PCIC provides a DC output voltage at pin 4 (INT) which sets the drain current of the first (U3401) and second (Q3421) transmitter stage via current control op-amps U3402-1 and U3402-2. This adjusts the transmitter power output to the intended value. Variations in forward transmitter power cause the DC voltage at pin 1 to change, and the PCIC adjusts the control voltage above or below its nominal value to raise or lower output power. Capacitors C3502-4, in conjunction with resistors and integrators within the PCIC, control the transmitter power-rise (key-up) and power-decay (de-key) characteristic to minimize splatter into adjacent channels. U3502 is a temperature-sensing device, which monitors the circuit board temperature in the vicinity of the transmitter driver and final devices, and provides a DC voltage to the PCIC (TEMP, pin 30) proportional to temperature. If the DC voltage produced exceeds the set threshold in the PCIC, the transmitter output power will be reduced so as to reduce the transmitter temperature.

4.0 VHF (136-174 MHz) Frequency Synthesis

The frequency synthesizer subsystem consists of the reference oscillator (Y3261 or Y3263), the Low Voltage Fractional-N synthesizer (LVFRAC-N, U3201), and the voltage-controlled oscillators and buffer amplifiers (U3301, Q3301-2 and associated circuitry).

4.1 Reference Oscillator

The reference oscillator (Y3263) contains a temperature compensated crystal oscillator with a frequency of 16.8 MHz. An analog to digital (A/D) converter internal to U3201 (LVFRAC-N) and controlled by the microprocessor via serial interface (SRL) sets the voltage at the warp output of U3201 (pin 25) to set the frequency of the oscillator. The output of the oscillator (U3263 pin 3) is applied to pin 23 (XTAL1) of U3201 via R3263 and C3235.

In applications where less frequency stability is required, the oscillator inside U3201 is used along with an external crystal Y3261, varactor diode D3261, C3261, C3262 and R3262. In this case, Y3263, R3263, C3235 and C3251 are not used. When Y3263 is used, Y3261, D3261, C3261, C3262 and R3262 are not used, and C3263 is increased to 0.1 uF.

4.2 Fractional-N Synthesizer

The LVFRAC-N synthesizer IC (U3201) consists of a pre-scaler, a programmable loop divider, control divider logic, a phase detector, a charge pump, an A/D converter for low frequency digital modulation, a balance attenuator to balance the high frequency analog modulation and low frequency digital modulation, a 13V positive voltage multiplier, a serial interface for control, and finally a super filter for the regulated 5 volts.

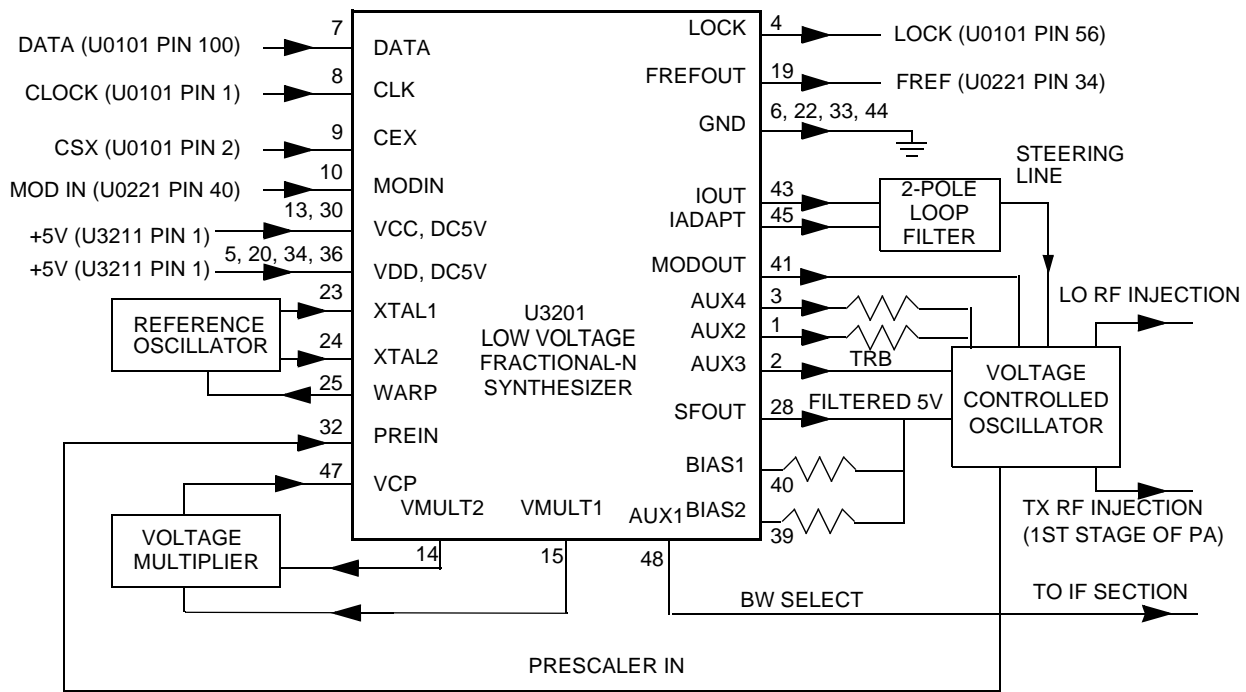


Figure 2-3 VHF Synthesizer Block Diagram

A voltage of 5V applied to the super filter input (U3201 pin 30) supplies an output voltage of 4.5 VDC (VSF) at pin 28. It supplies the VCO, VCO modulation bias circuit (via R3363) and the synthesizer charge pump resistor network (R3251, R3252). The synthesizer supply voltage is provided by the 5V regulator U3211.

In order to generate a high voltage to supply the phase detector (charge pump) output stage at pin 47 VCP (U3201-47), a voltage of 13 VDC is being generated by the positive voltage multiplier circuitry (D3201, C3202, C3203). This voltage multiplier is basically a diode capacitor network driven by two (1.05MHz) 180 degrees out of phase signals (U3201-14 and -15).

Output LOCK (U3201-4) provides information about the lock status of the synthesizer loop. A high level at this output indicates a stable loop. IC U3201 provides the 16.8 MHz reference frequency at pin 19.

The serial interface (SRL) is connected to the microprocessor via the data line DATA (U3201-7), clock line CLK (U3201-8), and chip enable line CSX (U3201-9).

4.3 Voltage Controlled Oscillator (VCO)

The Voltage Controlled Oscillator (VCO) consists of the VCO/Buffer IC (VCOBIC, U3301), the TX and RX tank circuits, the external RX buffer stages, and the modulation circuitry.

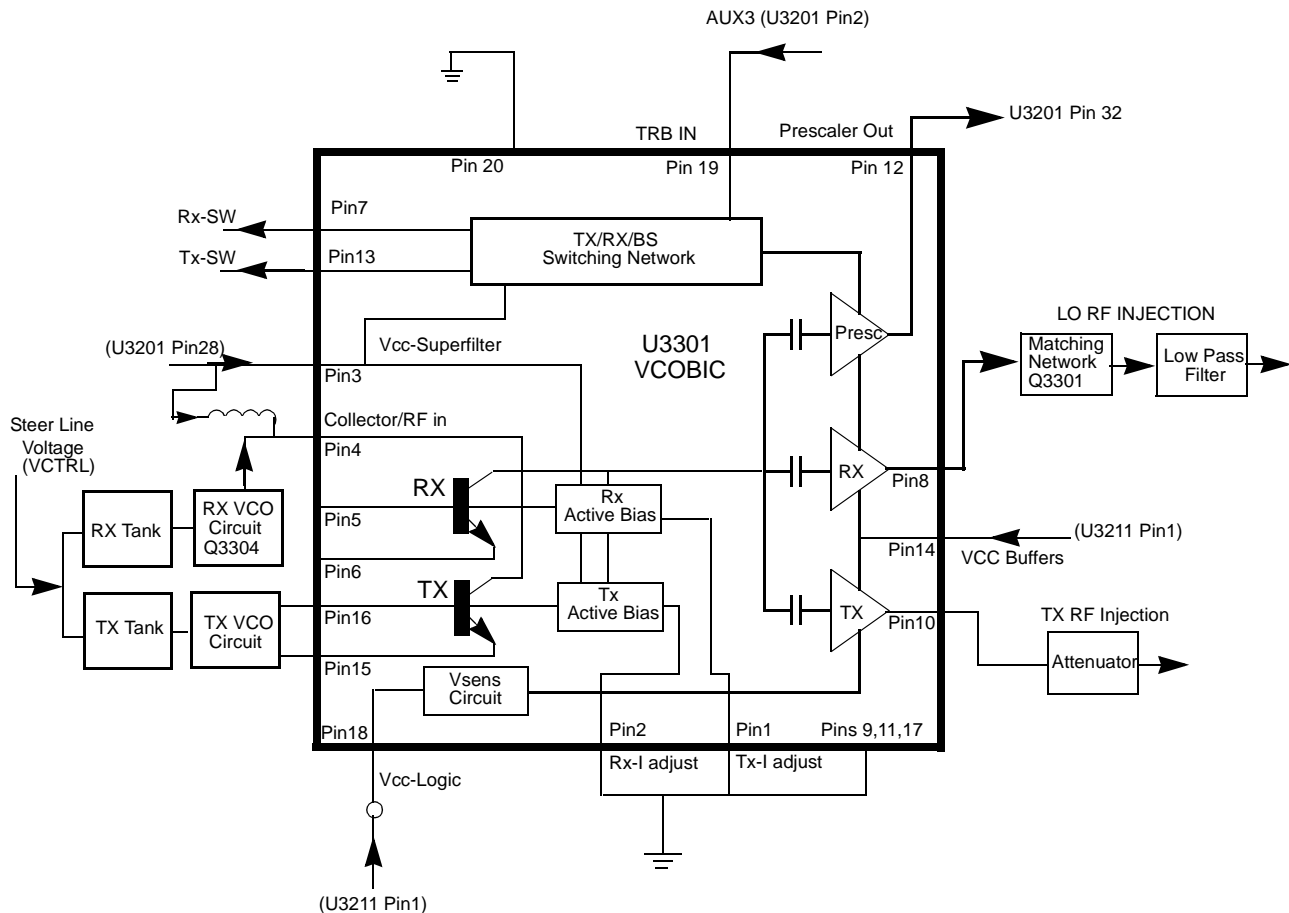


Figure 2-4 VHF VCO Block Diagram

The VCOBIC together with the Fractional-N synthesizer (U3201) generates the required frequencies in both the transmit and receive modes. The TRB line (U3301 pin 19) determines which tank circuits and internal buffers are to be enabled. A high level on TRB enables the TX tank and TX output (pin 10), and a low enables the RX tank and RX output (pin 8). A sample of the signal from the enabled RF output is routed from U3301 pin 12 (PRESC_OUT), via a low pass filter, to pin 32 of U3201 (PREIN).

A steering line voltage (VCTRL) between 2.5V and 11V at varactor diode D3361 will tune the full TX frequency range (TXINJ) from 136 MHz to 174 MHz, and at varactor diode D3341 will tune the full RX frequency range (RXINJ) from 181 MHz to 219 MHz. The RX tank circuit uses a Hartley configuration for wider bandwidth. For the RX tank circuit, an external transistor Q3304 is used for better side-band noise.

The external RX buffers (Q3301 and Q3302) are enabled by a high at U3301 pin 7 (RX_SWITCH) via transistor switch Q3303. In the TX mode, the modulation signal (VCOMOD) from the LVFRAC-N synthesizer IC (U3201 pin 41) is applied to varactor diode D3362, which modulates the TX VCO frequency via capacitor C3362. Varactor D3362 is biased for linearity from VSF.

4.4 Synthesizer Operation

The complete synthesizer subsystem consists of the low voltage FRAC-N (LVFRACN), the reference oscillator (a crystal oscillator with temperature compensation), charge pump circuitry, loop filter circuitry and a DC supply. The output signal PRESC from the VCOBIC (U3301 pin 12) is fed to U3201 pin 32 (PREIN) via a low pass filter (C3318, L3318 and C3226) which attenuates harmonics and provides the correct level to close the synthesizer loop.

The pre-scaler in the synthesizer (U3201) is a dual modulus type with selectable divider ratios. The divider ratio of the pre-scaler is controlled by the loop divider, which in turn receives its inputs via the SRL. The output of the pre-scaler is applied to the loop divider. The output of the loop divider is connected to the phase detector, which compares the loop divider's output signal with the reference signal. The reference signal is generated by dividing down the signal of the reference oscillator (Y3261 or Y3263).

The output signal of the phase detector is a pulsed DC signal which is routed to the charge pump. The charge pump outputs a current at U3201 pin 43 (IOUT). The loop filter (which consists of R3221-R3223 and C3221-C3224) transforms this current into a voltage that is applied to the varactor diodes (D3361 for transmit, D3341 for receive) to alter the output frequency of the appropriate VCO. The current can be set to a value fixed within the LVFRAC-N IC, or to a value determined by the currents flowing into BIAS 1 (U3201-40) or BIAS 2 (U3201-39). The currents are set by the value of R3251 and R3252 respectively. The selection of the three different bias sources is done by software programming.

To reduce synthesizer lock time when new frequency data has been loaded into the synthesizer, the magnitude of the loop current is increased by enabling the IADAPT pin (U3201-45) for a certain software programmable time (adapt mode). The adapt mode timer is started by a low to high transient of the CSX line. When the synthesizer is within the lock range, the current is determined only by the resistors connected to BIAS 1 and BIAS 2, or by the internal current source. A settled synthesizer loop is indicated by a high level signal at U3201-4 (LOCK).

The LOCK signal is routed to one of the μP 's ADC inputs (U0101-56). From the measured voltage, the μP determines whether LOCK is active.

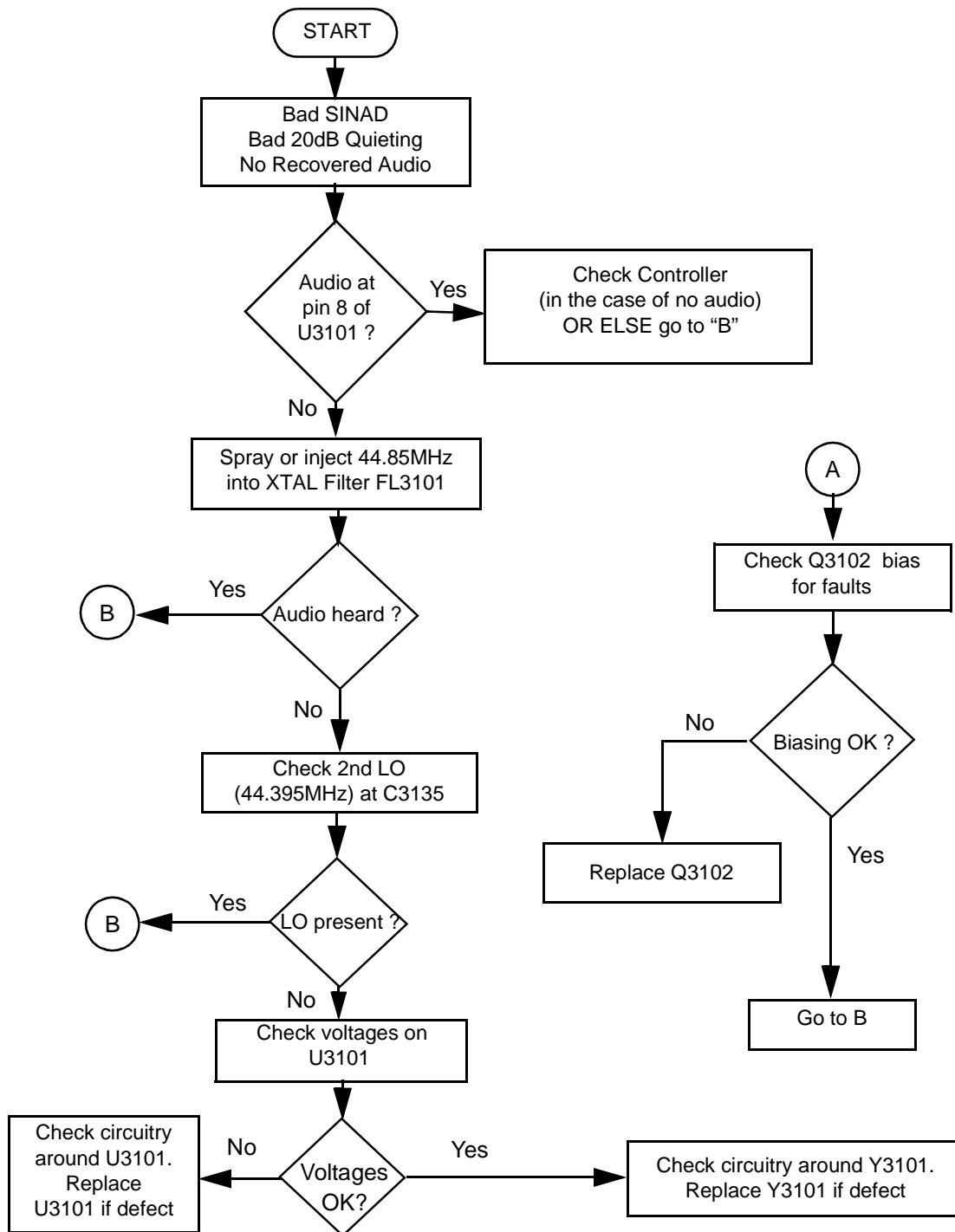
In order to modulate the PLL, the two spot modulation method is utilized. Via U3201 pin 10 (MODIN), the audio signal is applied to both the A/D converter (low frequency path) as well as the balance attenuator (high frequency path). The A/D converter changes the low frequency analog modulating signal into a digital code that is applied to the loop divider, thereby causing the carrier to deviate. The balance attenuator is used to adjust the VCO's deviation sensitivity to high frequency modulating signals. The output of the balance attenuator is present at the MODOUT port (U3201-41) and connected to the VCO modulation diode D3362 via R3364.

THIS PAGE INTENTIONALLY LEFT BLANK

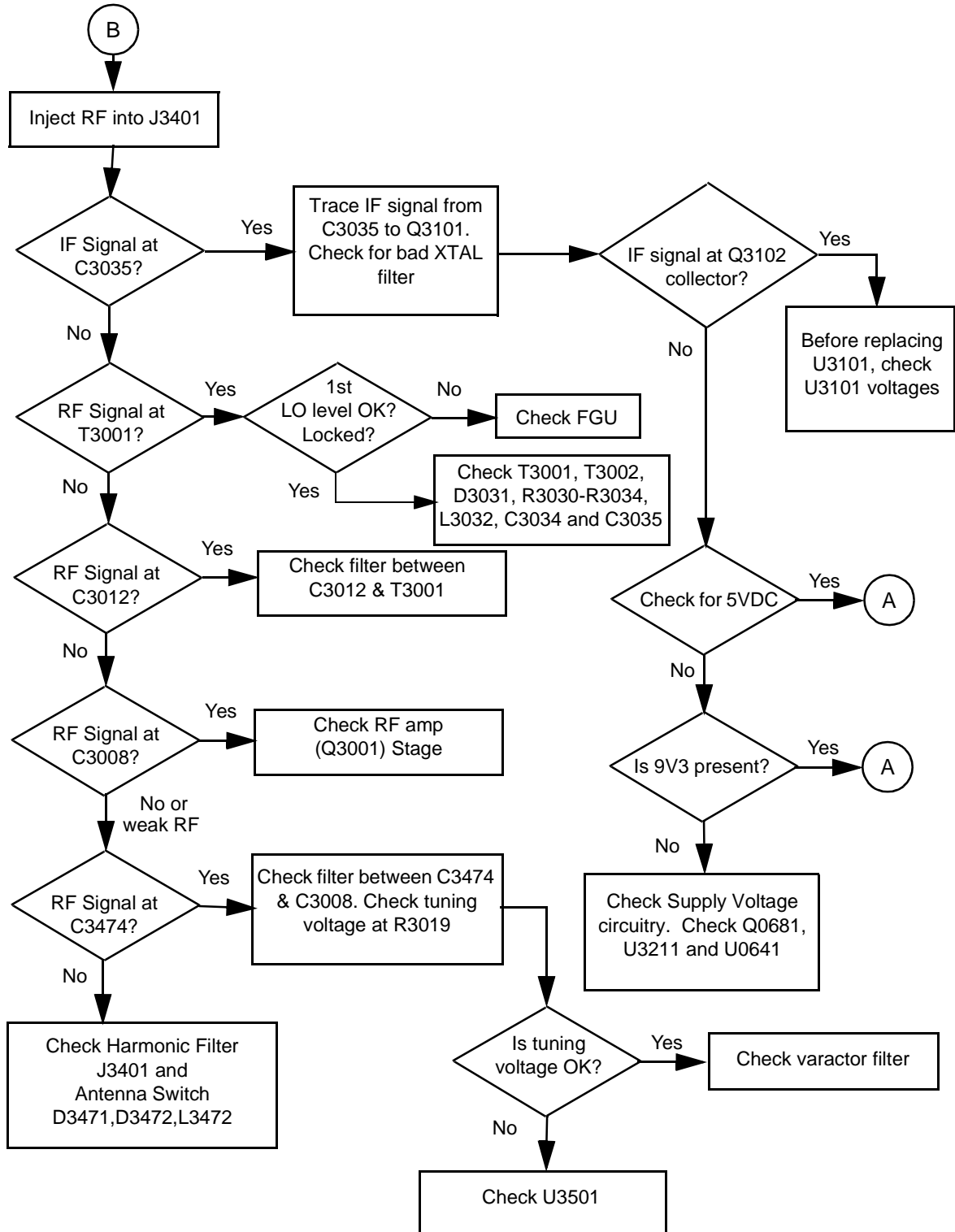
Section 3

TROUBLESHOOTING CHARTS

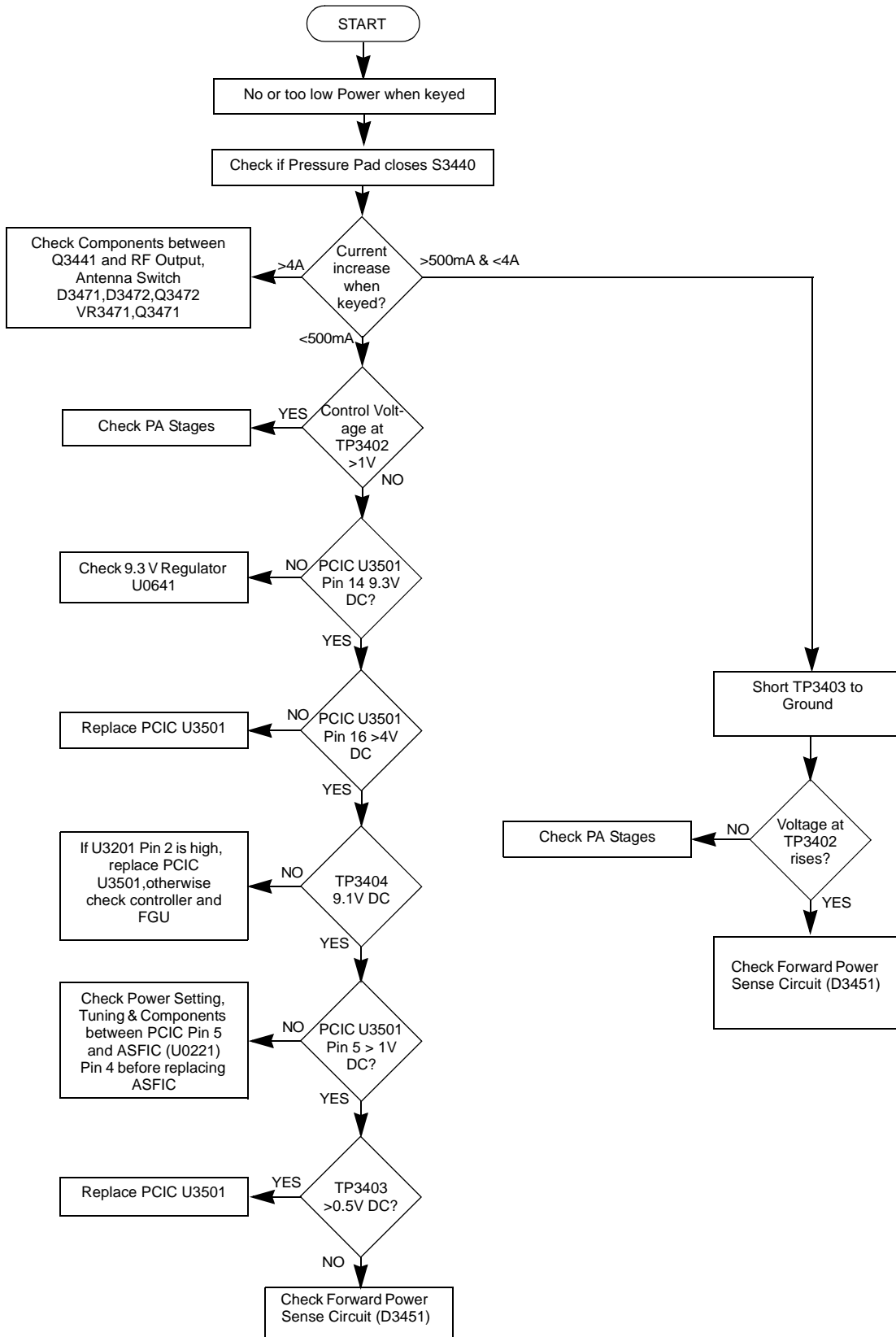
1.0 Troubleshooting Flow Chart for Receiver (Sheet 1 of 2)



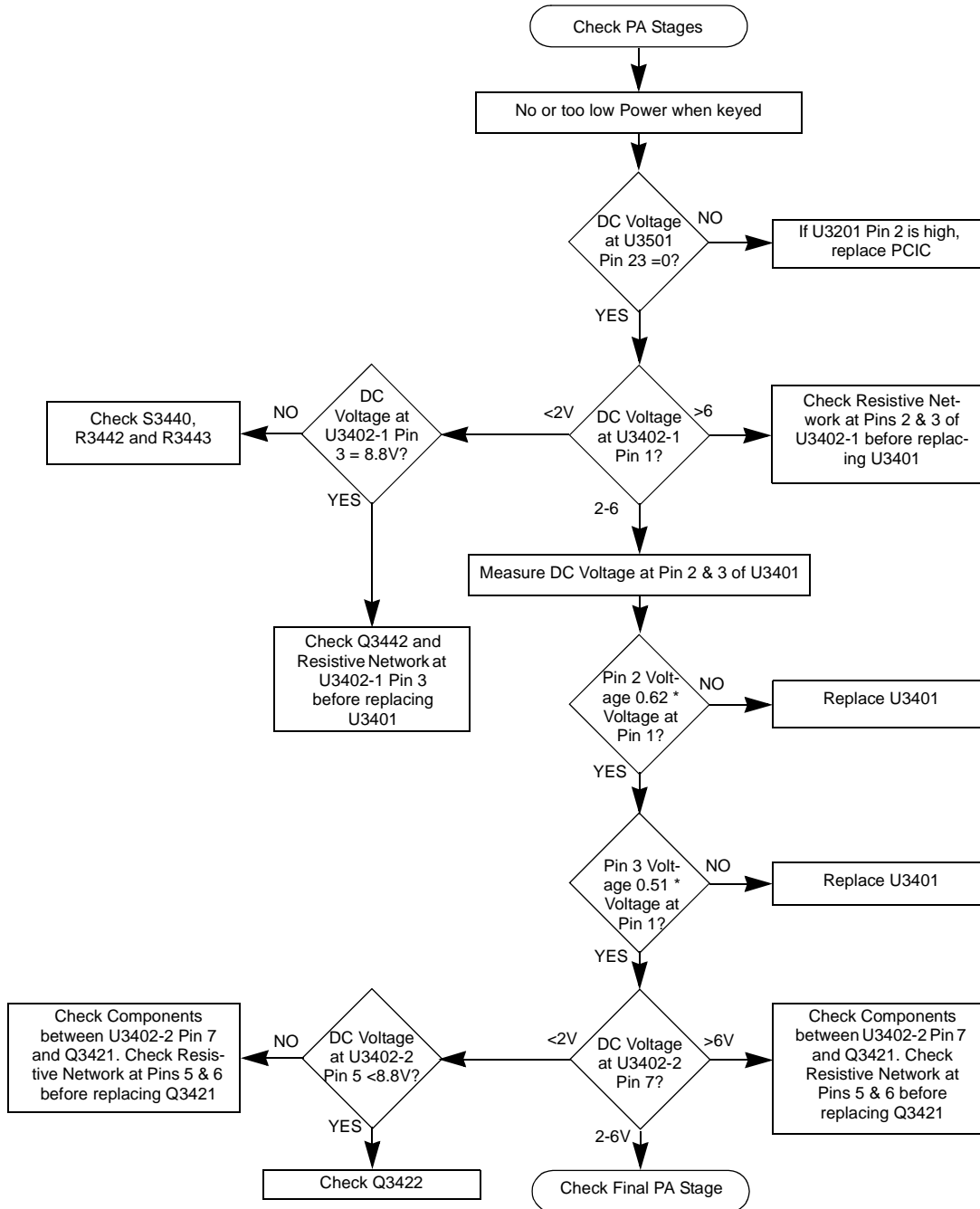
1.1 Troubleshooting Flow Chart for Receiver (Sheet 2 of 2)



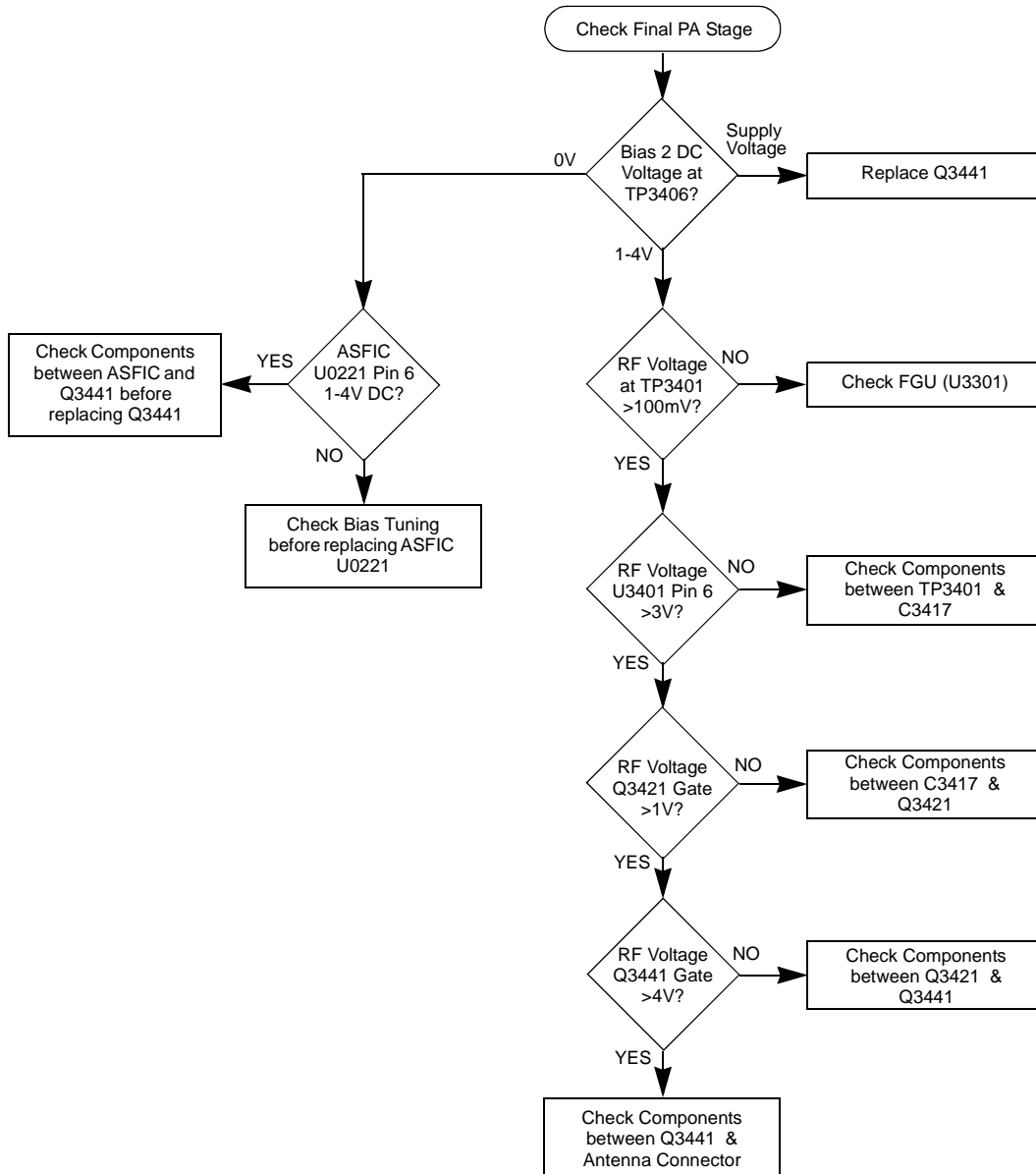
2.0 Troubleshooting Flow Chart for 25W Transmitter (Sheet 1 of 3)



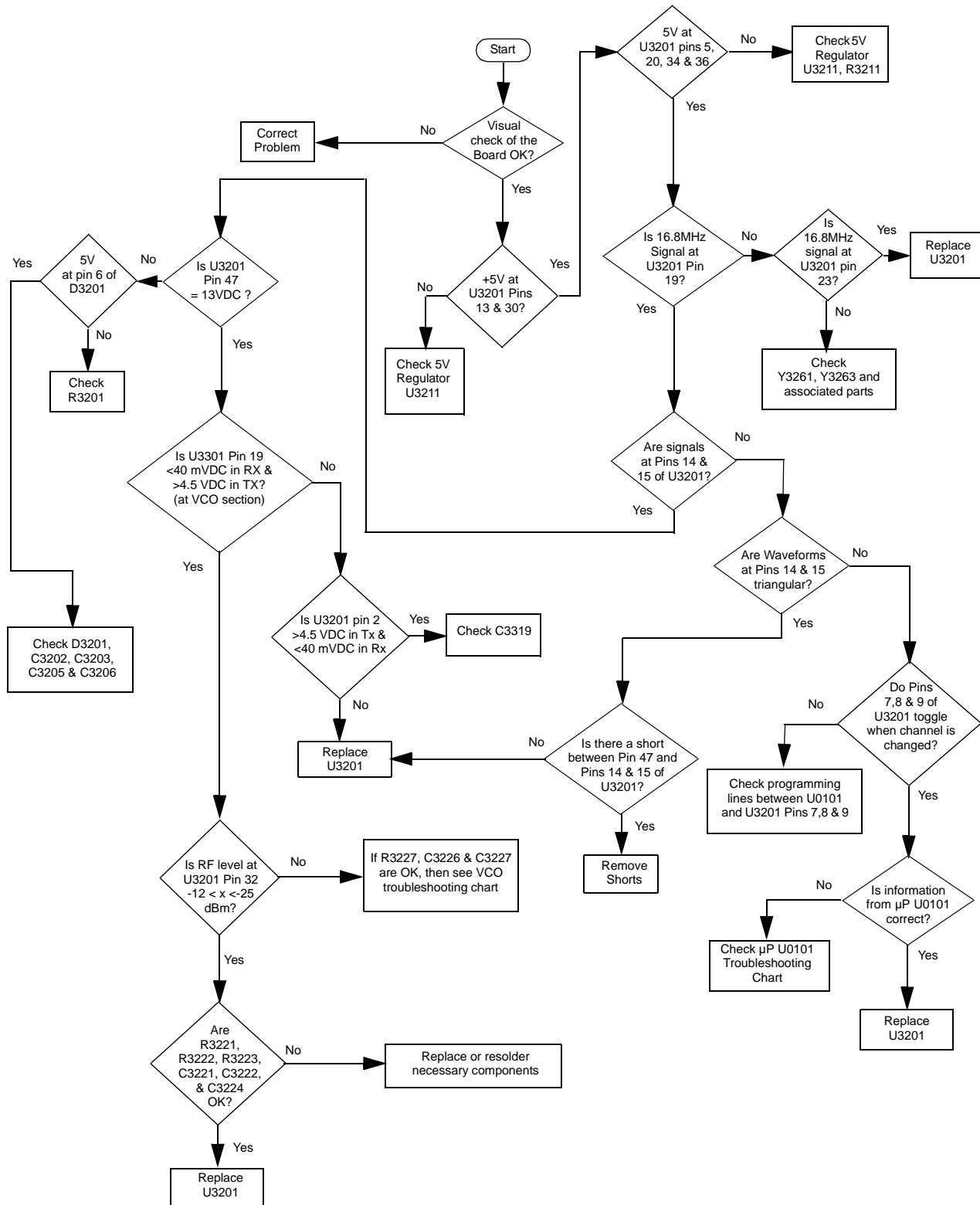
2.1 Troubleshooting Flow Chart for 25W Transmitter (Sheet 2 of 3)



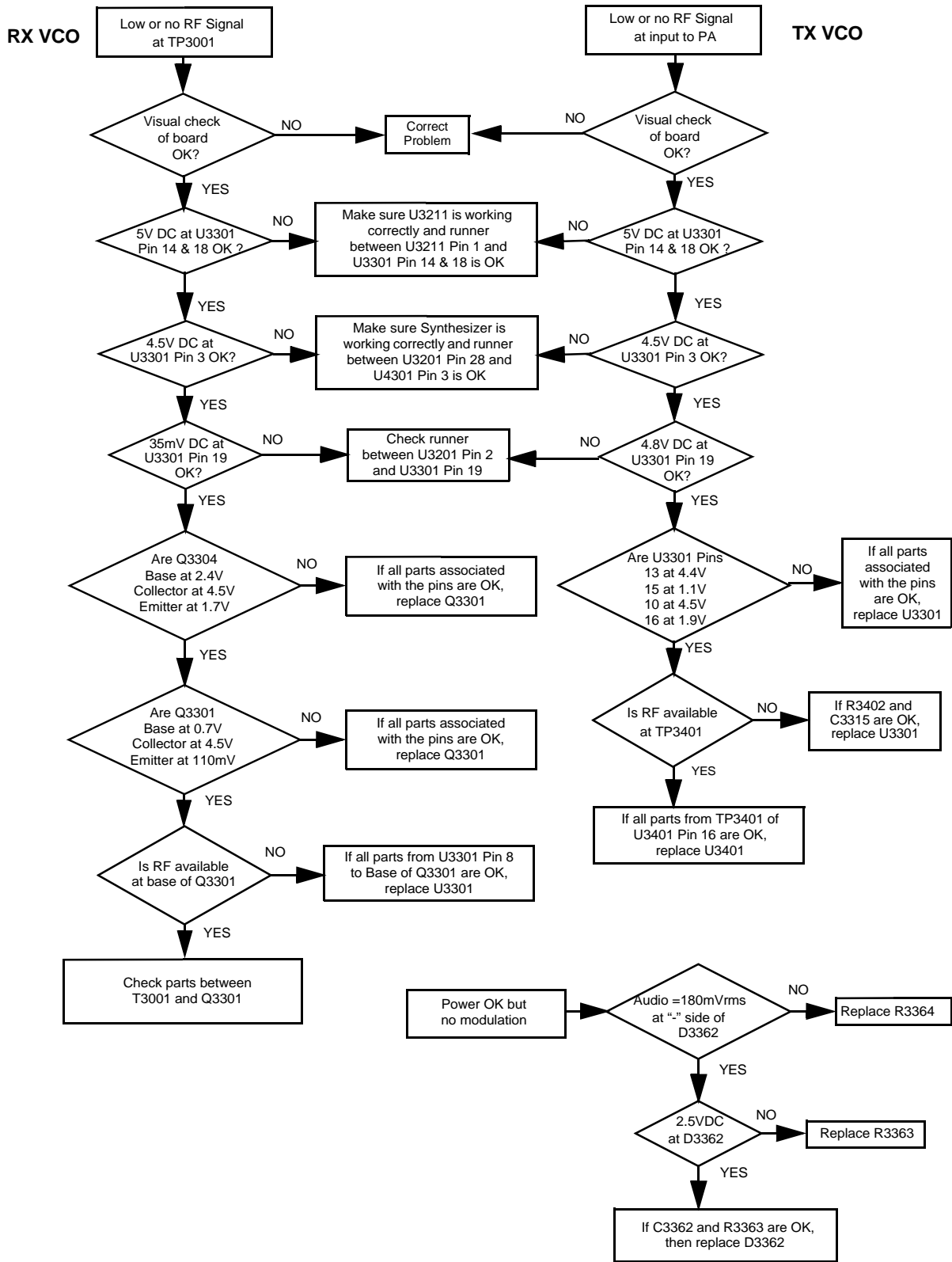
2.2 Troubleshooting Flow Chart for 25W Transmitter (Sheet 3 of 3)



3.0 Troubleshooting Flow Chart for Synthesizer



4.0 Troubleshooting Flow Chart for VCO



THIS PAGE INTENTIONALLY LEFT BLANK

Section 4

VHF PCBs/SCHEMATICS/PARTS LISTS

1.0 Allocation of Schematics and Circuit Boards

1.1 Controller Circuits

The VHF circuits are contained on the Printed Circuit Board (PCB) which also contains the Controller circuits. This Chapter shows the schematics for the VHF circuits only, refer to the Controller section for details of the related Controller circuits . The PCB component layouts and the Parts Lists in this Chapter show both the Controller and VHF circuit components. The VHF schematics and the related PCB and parts list are shown in the tables below.

Table 4-1 VHF 1-25W Diagrams and Parts Lists

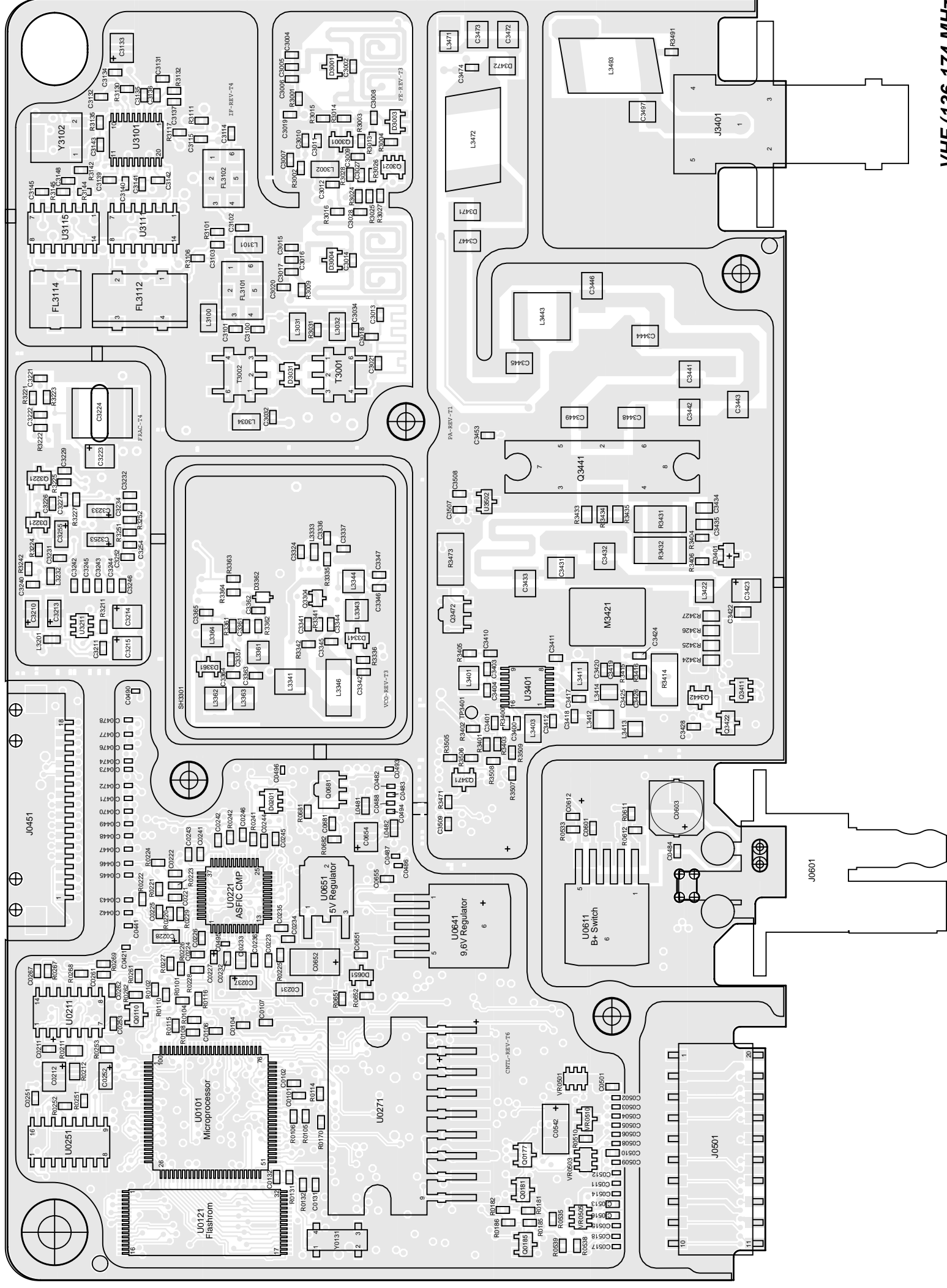
PCB : 8486172B06 Main Board Top Side 8486172B06 Main Board Bottom Side	Page 4-3 Page 4-4
SCHEMATICS Power Amplifier 1 - 25W FRACN Voltage Controlled Oscillator Receiver Front End IF	Page 4-5 Page 4-6 Page 4-7 Page 4-8 Page 4-9
Parts List 8486172B06	Page 4-10

Table 4-2 VHF 1-25W Diagrams and Parts Lists

PCB : 8486172B07 Main Board Top Side 8486172B07 Main Board Bottom Side	Page 4-13 Page 4-14
SCHEMATICS Power Amplifier 1 - 25W Voltage Controlled Oscillator Receiver Front End IF FRACN	Page 4-5 Page 4-7 Page 4-8 Page 4-15 Page 4-16
Parts List 8486172B07	Page 4-17

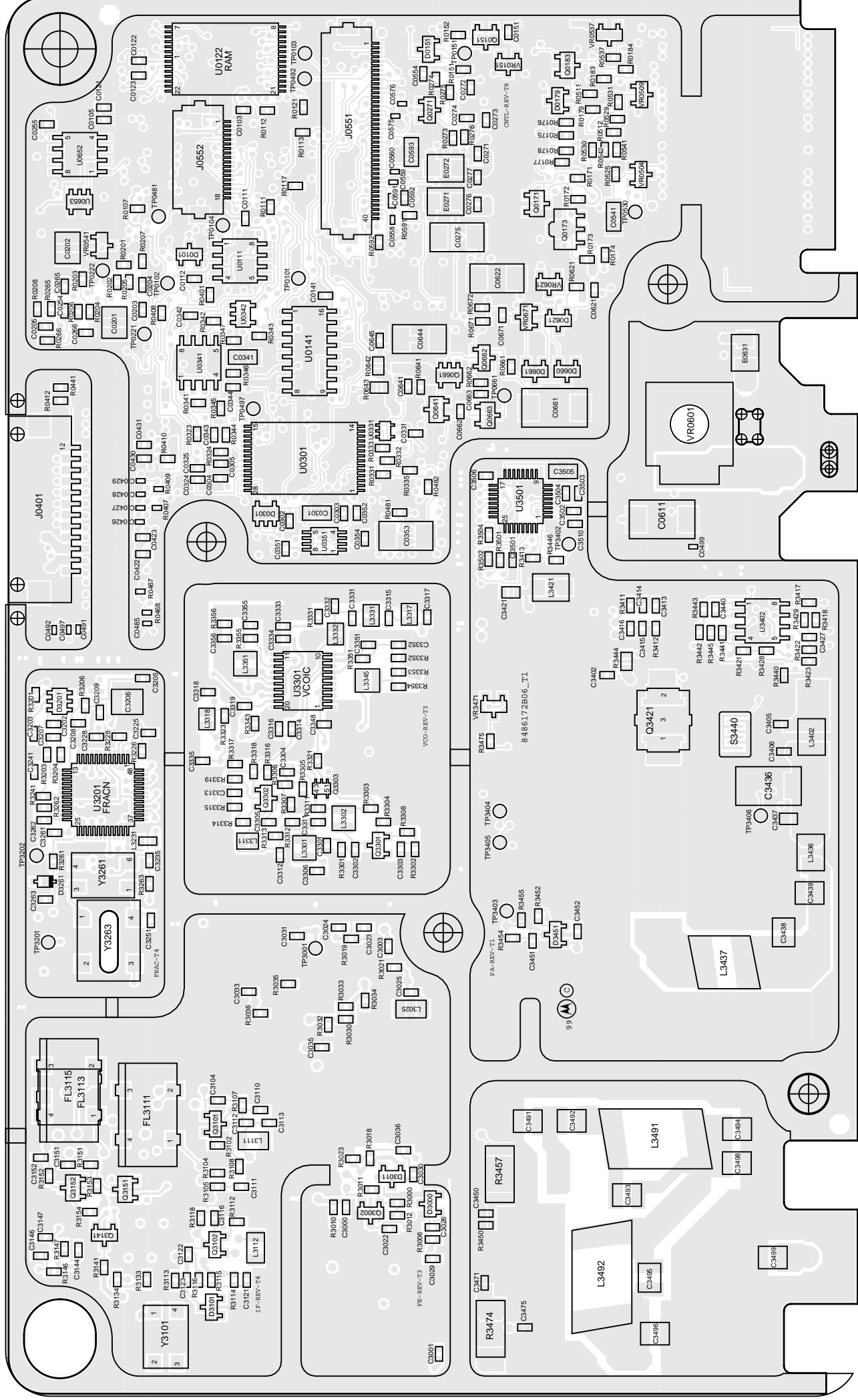
THIS PAGE INTENTIONALLY LEFT BLANK

2.0 VHF 1-25W PCBs / Schematics / Parts Lists



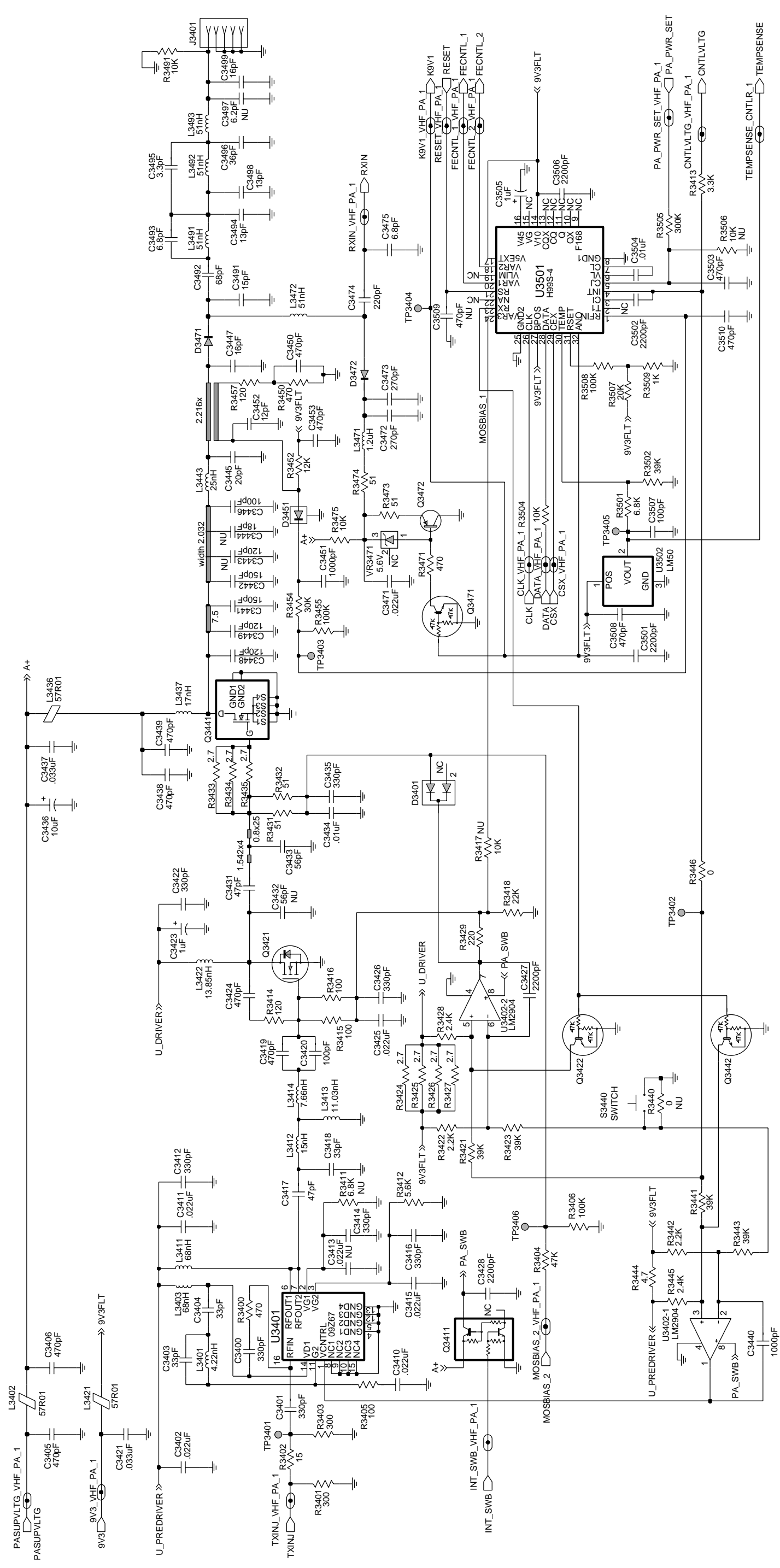
ZWG0130397-0

VHF (136-174 MHz) 1-25W 8486172B06 Top Side



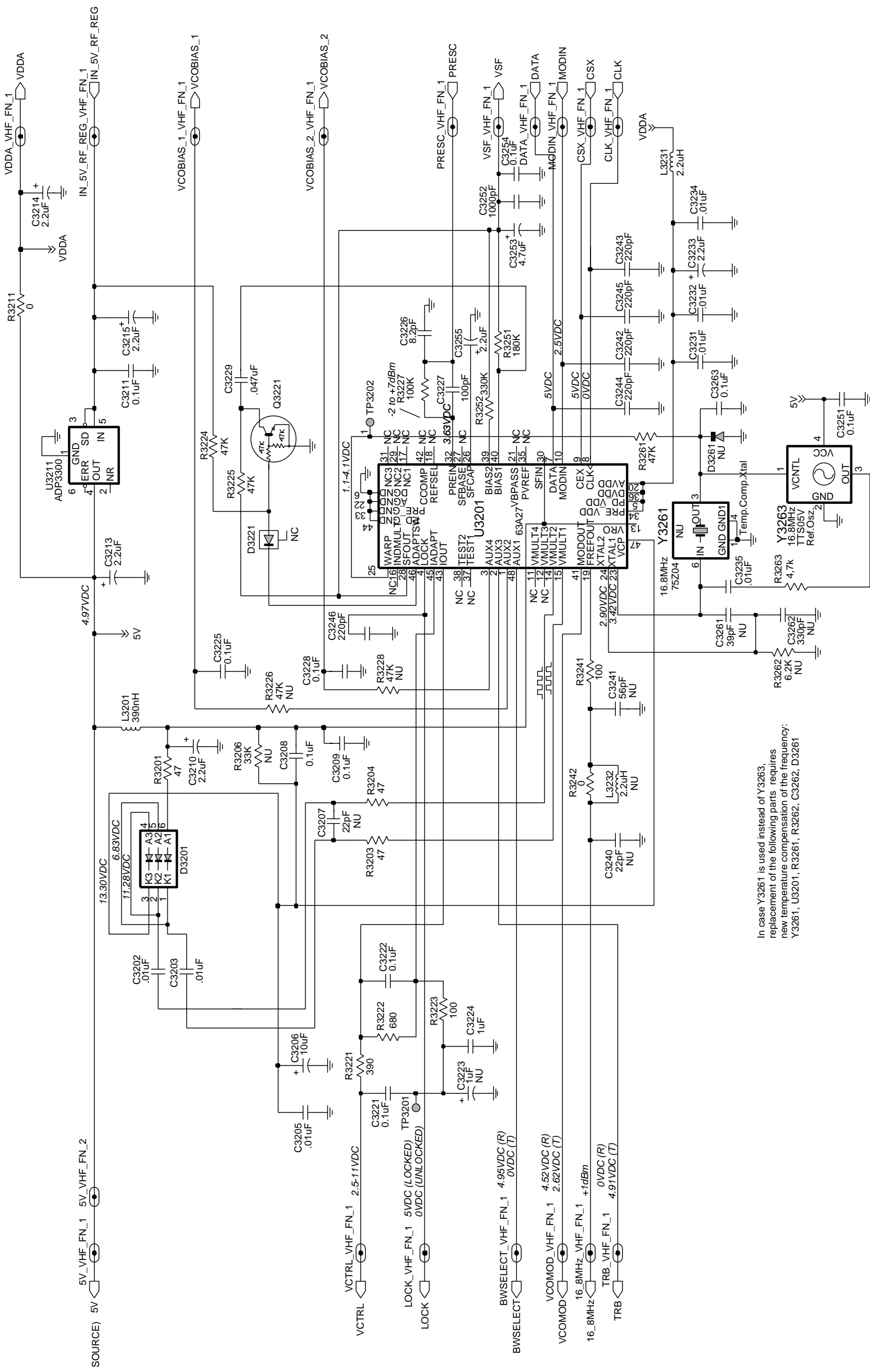
ZWG01300398-O

VHF (136-174 MHz) 1-25W 8486172B06 Bottom Side



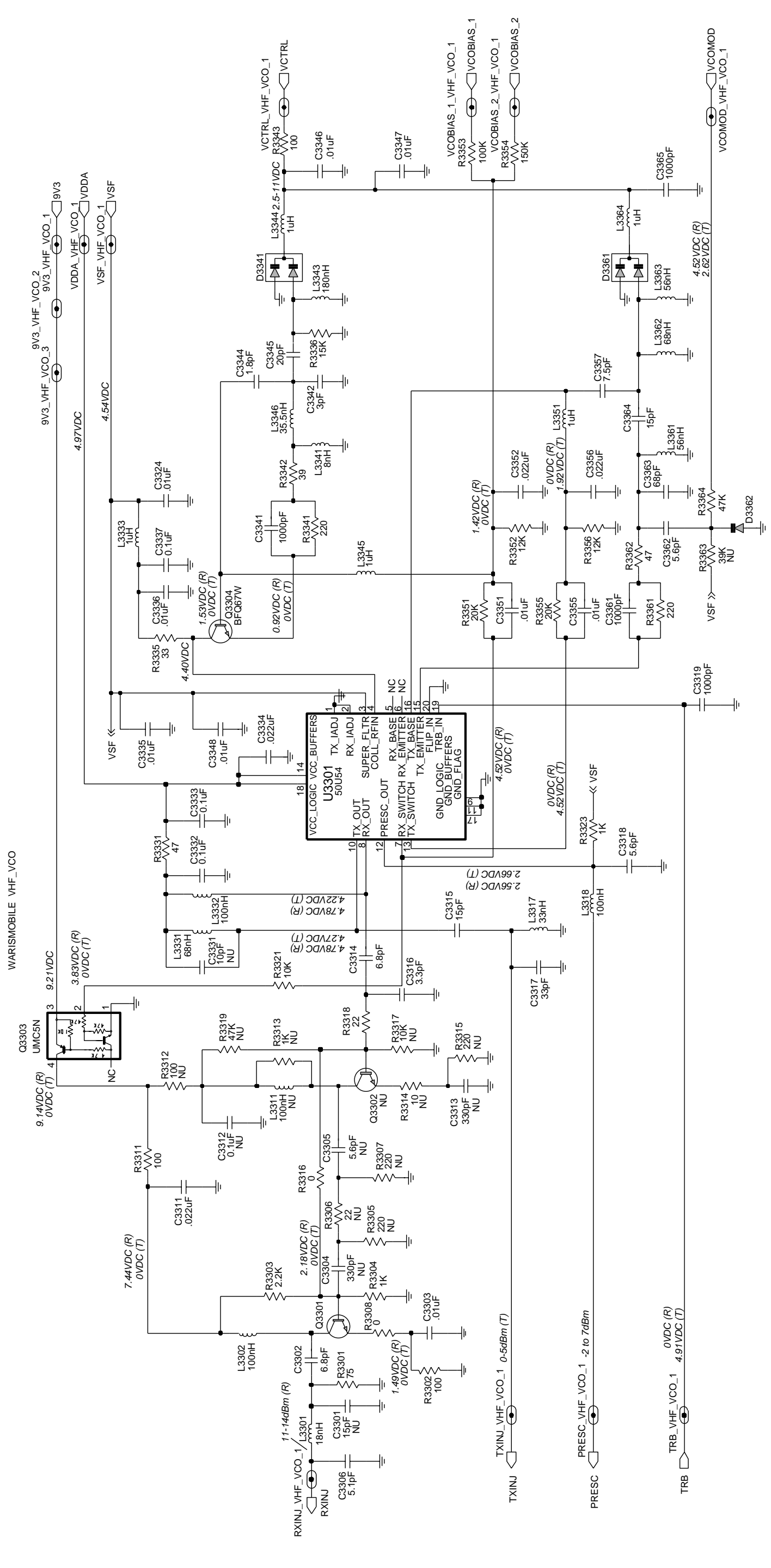
ZWGO130392-A

VHF (136-174 MHz) Power Amplifier 1-25W



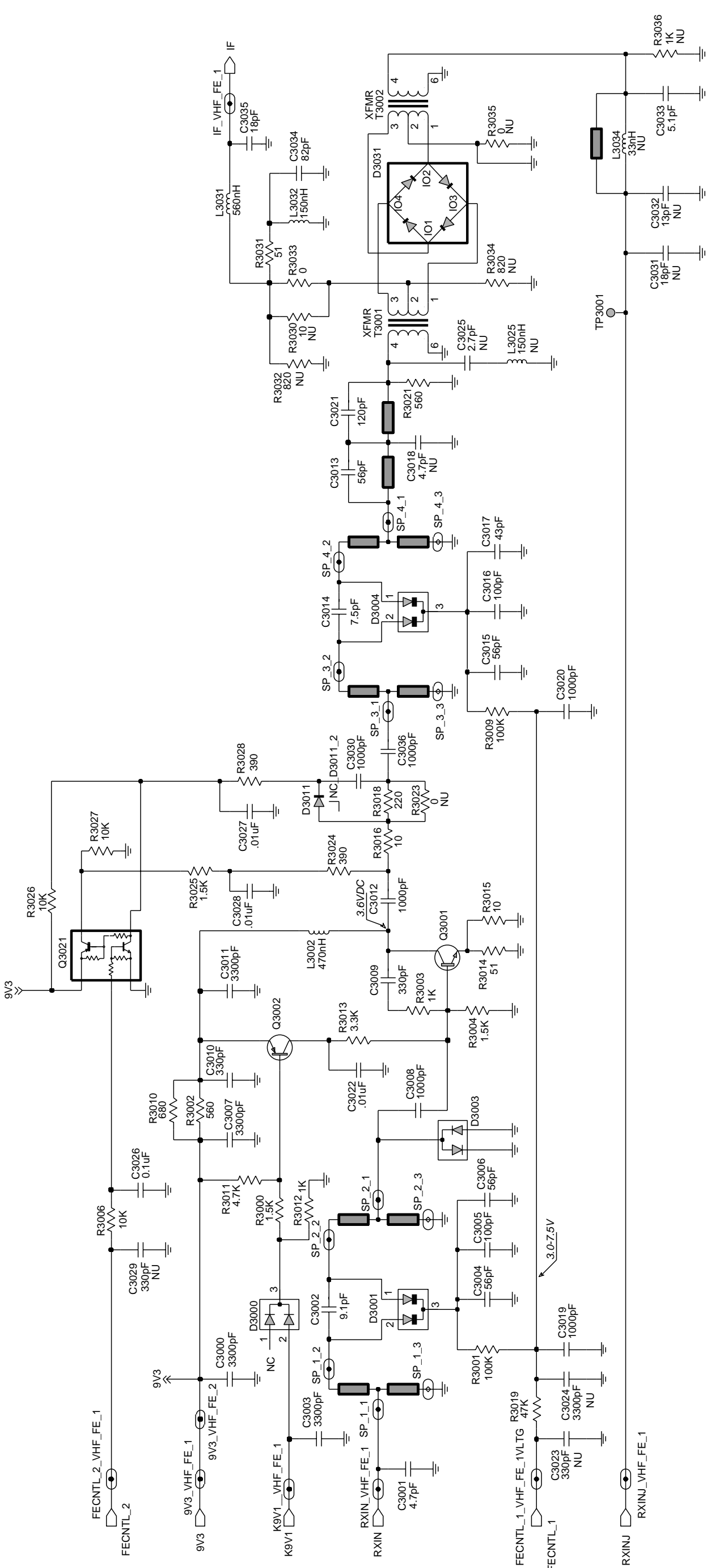
ZWGO130393-A

HF (136-174 MHz) FRACN



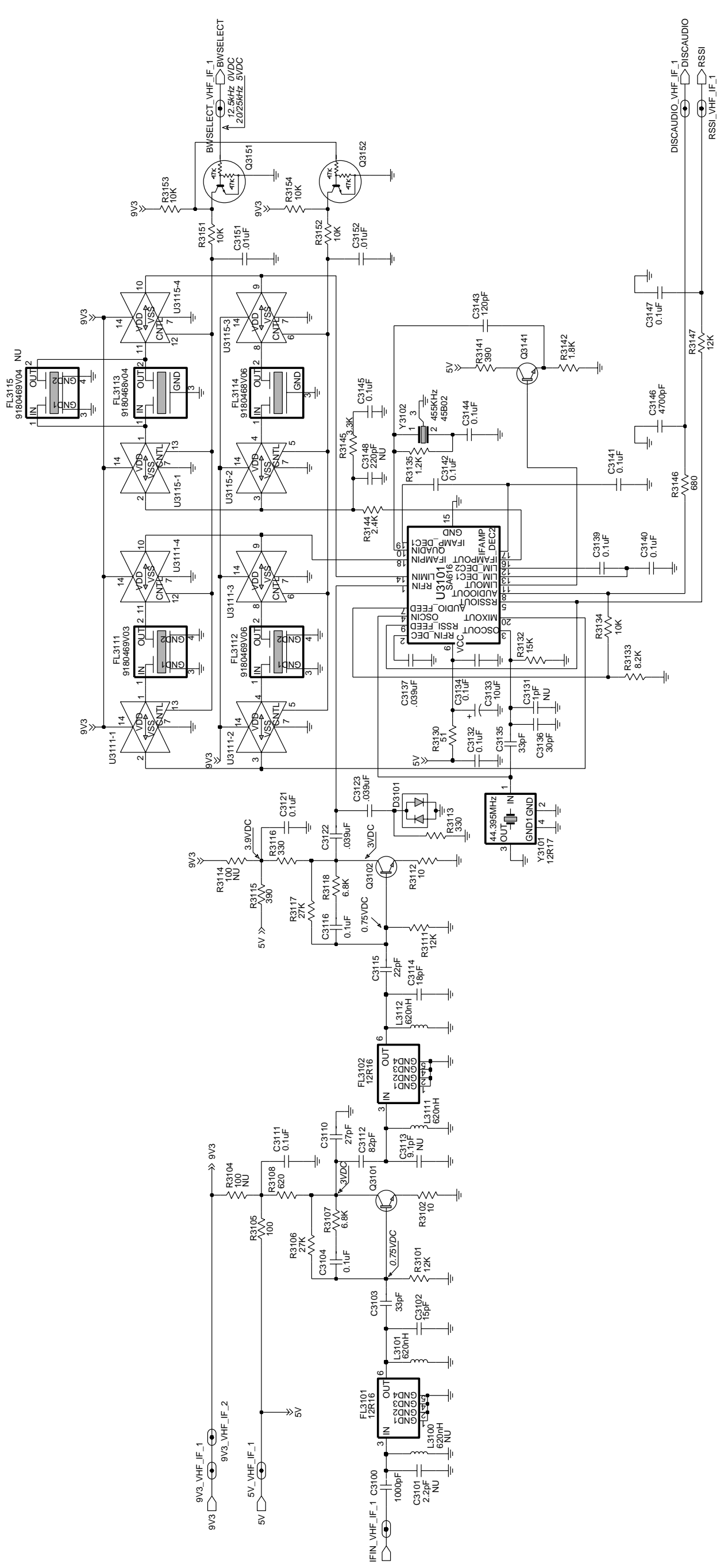
ZWVG0130394-O

VHF (136-174 MHz) Voltage Controlled Oscillator



VHF (136-174 MHz) Receiver Front End

ZWG0130395-A



ZWG0130396-O

VHF (136-174 MHz) IF

VHF PCB 8486172B06 Parts List 1-25W

Circuit Ref	Motorola Part No.	Description
C3000	2113741F37	3.3nF 50V
C3001	2113740F19	4.7pF 5%
C3002	2113740F26	9.1pF 5%
C3003	2113741F37	3.3nF 50V
C3004	2113740F45	56pF 5%
C3005	2113740F51	100pF 5%
C3006	2113740F45	56pF 5%
C3007	2113741F37	3.3nF 50V
C3008	2113741F25	1nF 50V
C3009	2113741F13	330pF 50V
C3010	2113741F13	330pF 50V
C3011	2113741F37	3.3nF 50V
C3012	2113741F25	1nF 50V
C3013	2113740F45	56pF 5%
C3014	2113740F24	7.5pF 5%
C3015	2113740F45	56pF 5%
C3016	2113740F51	100pF 5% 50V
C3017	2113740F42	43pF 5% 50V
C3019	2113741F25	1nF 50V
C3020	2113741F25	1nF 50V
C3021	2113740F53	120pF 5% 50V
C3022	2113741F49	10nF 50V
C3026	2113743E20	100nF 16V
C3027	2113741F49	10nF 50V
C3028	2113741F49	10nF 50V
C3030	2113741F25	1nF 50V
C3033	2113740F20	5.1pF 5% 50V
C3034	2113740F49	82pF 5% 50V
C3035	2113740F33	18pF 5% 50V
C3036	2113741F25	1nF 50V
C3100	2113741F25	1nF 50V
C3102	2113740F31	15pF 5% 50V
C3103	2113740F39	33pF 5% 50V
C3104	2113743E20	100nF 16V
C3110	2113740F37	27pF 5% 50V
C3111	2113743E20	100nF 16V
C3112	2113740F49	82pF 5% 50V
C3114	2113740F33	18pF 5% 50V
C3115	2113740F35	22pF 5% 50V
C3116	2113743E20	100nF 16V
C3121	2113743E20	100nF 16V
C3122	2113743E11	39nF 10%
C3123	2113743E11	39nF 10%
C3132	2113743E20	100nF 16V
C3133	2311049A57	TANT CP 10uF 10% 16V
C3134	2113743E20	100nF 16V
C3135	2113740L30	33pF 2%
C3136	2113740L29	30pF 2%
C3137	2113743E11	39nF 10%
C3139	2113743E20	100nF 16V

Circuit Ref	Motorola Part No.	Description
C3140	2113743E20	100nF 16V
C3141	2113743E20	100nF 16V
C3142	2113743E20	100nF 16V
C3143	2113740F53	120pF 5% 50V
C3144	2113743E20	100nF 16V
C3145	2113743E20	100nF 16V
C3146	2113741F41	4.7nF 50V
C3147	2113743E20	100nF 16V
C3151	2113741F49	10nF 50V
C3152	2113741F49	10nF 50V
C3202	2113741F49	10nF 50V
C3203	2113741F49	10nF 50V
C3205	2113741F49	10nF 50V
C3206	2311049A57	TANT CP 10uF 10% 16V
C3208	2113743E20	100nF 16V
C3209	2113743E20	100nF 16V
C3210	2311049A40	TANT CP 2.2uF 10% 10V
C3211	2113743E20	100nF 16V
C3213	2311049A40	TANT CP 2.2uF 10% 10V
C3214	2311049A09	TANT CP 2.2uF 10% 20V
C3215	2311049A09	TANT CP 2.2uF 10% 20V
C3221	2113743E20	100nF 16V
C3222	2113743E20	100nF 16V
C3224	0882422W23	FILM SM 1.0uF 15V 5%
C3225	2113743E20	100nF 16V
C3226	2113740F25	8.2pF 5% 50V
C3227	2113740F51	100pF 5% 50V
C3228	2113743E20	100nF 16V
C3229	2113743E12	47nF 10%
C3231	2113741F49	10nF 50V
C3232	2113741F49	10nF 50V
C3233	2311049A40	TANT CP 2.2uF 10%
C3234	2113741F49	10nF 50V
C3235	2113741F49	10nF 50V
C3242	2113740F59	220pF 5% 50V
C3243	2113740F59	220pF 5% 50V
C3244	2113740F59	220pF 5% 50V
C3245	2113740F59	220pF 5% 50V
C3246	2113740F59	220pF 5% 50V
C3251	2113743E20	100nF 16V
C3252	2113741F25	1nF 50V
C3253	2311049A56	TANT CP 4.7uF 20% 10V
C3254	2113743E20	100nF 16V
C3255	2311049A40	TANT CP 2.2uF 10% 10V
C3263	2113743E20	100nF 16V
C3302	2113740F23	6.8pF 5% 50V
C3303	2113741F49	10nF 50V
C3306	2113740F20	5.1pF 5% 50V
C3311	2113743E07	22nF 16V
C3314	2113740F23	6.8pF 5% 50V
C3315	2113740F31	15pF 5% 50V

Circuit Ref	Motorola Part No.	Description
C3316	2113740F15	3.3pF 5% 50V
C3317	2113740F39	33pF 5% 50V
C3318	2113740F21	5.6pF 5% 50V
C3319	2113741F25	1nF 50V
C3324	2113741F49	10nF 50V
C3332	2113743E20	100nF 16V
C3333	2113743E20	100nF 16V
C3334	2113743E07	22nF 16V
C3335	2113741F49	10nF 50V
C3336	2113741F49	10nF 50V
C3337	2113743E20	100nF 16V
C3341	2113741F25	1nF 50V
C3342	2113740L05	3.0pF +0.1pF
C3344	2113740F09	1.8pF 5% 50V
C3345	2113740L25	20pF +0.25pF
C3346	2113741F49	10nF 50V
C3347	2113741F49	10nF 50V
C3348	2113741F49	10nF 50V
C3351	2113741F49	10nF 50V
C3352	2113743E07	22nF 16V
C3355	2113741F49	10nF 50V
C3356	2113743E07	22nF 16V
C3357	2113740F24	7.5pF 5% 50V
C3361	2113741F25	1nF 50V
C3362	2113740F21	5.6pF 5% 50V
C3363	2113740F47	68pF 5% 50V
C3364	2113740F31	15pF 5% 50V
C3365	2113741F25	1nF 50V
C3400	2113740F63	330pF 5% 50V
C3401	2113740F63	330pF 5% 50V
C3402	2113743E07	22nF 16V
C3403	2113740F39	33pF 5% 50V
C3404	2113740F39	33pF 5% 50V
C3405	2113740F67	470pF 5% 50V
C3406	2113740F67	470pF 5% 50V
C3410	2113743E07	22nF 16V
C3411	2113743E07	22nF 16V
C3412	2113740F63	330pF 5% 50V
C3414	2113740F63	330pF 5% 50V
C3415	2113743E07	22nF 16V
C3416	2113740F63	330pF 5% 50V
C3417	2113740F43	47pF 5% 50V
C3418	2113740F39	33pF 5% 50V
C3419	2113740F57	180pF 5% 50V
C3420	2113740F57	180pF 5% 50V
C3421	2113741A57	33nF 50V
C3422	2113740A67	330pF 5% 50V
C3423	2311049A08	TANT CP 1uF 10% 35V
C3424	2113740F67	470pF 5% 50V
C3425	2113743E07	22nF 16V
C3426	2113740F63	330pF 5% 50V

Circuit Ref	Motorola Part No.	Description
C3427	2113741F33	2.2nF 50V
C3428	2113741F33	2.2nF 50V
C3431	2111078B34	HQ 47pF 5%
C3433	2111078B36	HQ 56pF 5%
C3434	2113741A45	10nF 50V
C3435	2113740A67	330pF 5% 50V
C3436	2311049A45	TANT CP 10uF 10% 35V
C3437	2113741A57	33nF 50V
C3438	2111078B59	HQ 470pF 5%
C3439	2111078B59	HQ 470pF 5%
C3440	2113741F25	1nF 50V
C3441	2111078B47	HQ 150pF 5%
C3442	2111078B47	HQ 150pF 5%
C3445	2111078B21	HQ 20pF 5%
C3446	2111078B42	HQ 100pF 5%
C3447	2111078B19	HQ 16pF 5%
C3448	2111078B44	HQ 120pF 5%
C3449	2111078B44	HQ 120pF 5%
C3450	2113740F67	470pF 5% 50V
C3451	2113741F25	1nF 50V
C3452	2113740F29	12pF 5% 50V
C3453	2113740F67	470pF 5% 50V
C3471	2113743E07	22nF 16V
C3472	2111078B53	HQ 270pF 5%
C3473	2111078B53	HQ 270pF 5%
C3474	2113740F59	220pF 5% 50V
C3475	2113740F23	6.8pF 5% 50V
C3491	2111078B18	HQ 15pF 5%
C3492	2111078B38	HQ 68pF 5%
C3493	2111078B09	HQ 6.8pF 5%
C3494	2111078B16	HQ 13pF 5%
C3495	2111078B01	HQ 3.3pF 5%
C3496	2111078B31	HQ 36pF 5%
C3498	2111078B16	HQ 13pF 5%
C3499	2111078B19	HQ 16pF 5%
C3501	2113741F33	2.2nF 50V
C3502	2113741F33	2.2nF 50V
C3503	2113740F67	470pF 5% 50V
C3504	2113741F49	10nF 50V
C3505	2311049A07	TANT CP 1uF 10% 16V
C3506	2113741F33	2.2nF 50V X7R
C3507	2113740F51	100pF 5% 50V
C3508	2113740F67	470pF 5% 50V
C3510	2113740F67	470pF 5% 50V
D3000	4813833C02	DUAL SOT MMBD6100
D3001	4805649Q13	VCTR 1SV228 SOT23
D3003	4880154K03	DUAL SCHOTTKY SOT23
D3004	4805649Q13	VCTR 1SV228 SOT23
D3011	4880142L01	PIN
D3031	4886143B01	MIXER DIODE CROSSOVER
D3101	4880154K03	DIODE DUAL SCHOTTKY

Circuit Ref	Motorola Part No.	Description
D3201	4802233J09	TRIPLE SOT143-RH
D3221	4880236E05	CHIP SCHOTTKY
D3341	4805649Q13	VCTR 1SV228 SOT23
D3361	4805649Q13	VCTR 1SV228 SOT23
D3362	4862824C01	VARACTOR CHIP
D3401	4813833C02	DUAL SOT MMBD6100
D3451	4880236E05	CHIP SCHOTTKY
D3471	4802482J02	PIN MA/COM
D3472	4802482J02	PIN MA/COM
FL3101	9180112R16	44.85 MHZ XTAL FLTR 80dB
FL3102	9180112R16	44.85 MHZ XTAL FLTR 80dB
FL3111	9180469V03	CER FLTR 6EL 455 KHZ
FL3112	9180469V06	CER FLTR 6EL 455 KHZ
FL3113	9180468V04	CER FLTR 4EL 455 KHZ
FL3114	9180468V06	CER FLTR 4EL 455 KHZ
J3401	0986166B02	RF CONN MINI UHF
L3002	2462587T23	COIL CHIP 470nH
L3031	2462587T24	COIL CHIP 560nH
L3032	2462587T17	COIL CHIP 150nH
L3101	2462587T25	COIL CHIP 620nH
L3111	2462587T25	COIL CHIP 620nH
L3112	2462587T25	COIL CHIP 620nH
L3201	2462587Q42	IND CHIP 390nH 10%
L3231	2462587Q20	IND CHIP 2.2uH 20%
L3301	2462587N44	CHIP IND 18 NH 5%
L3302	2462587N53	CHIP IND 100 nH 5%
L3317	2462587V28	CHIP IND 33 NH 5%
L3318	2462587V34	IND CHIP 100nH 5%
L3331	2462587V32	CHIP IND 68NH 5%
L3332	2462587V15	IND CHIP 100nH 10%
L3333	2462587Q47	IND CHIP 1uH 10%
L3341	2484562T13	MINI-SPRING AW IND 8NH 2%
L3343	2462587N56	COIL CHIP 180nH 5%
L3344	2462587N68	CHIP IND 1 uH 5%
L3345	2462587N68	CHIP IND 1 uH 5%
L3346	2484562T18	MINI-SPRING AW IND 35.5NH 2%
L3351	2462587N68	CHIP IND 1 uH 5%
L3361	2462587N50	CHIP IND 56 nH 5%
L3362	2462587N51	CHIP IND 68 nH 5%
L3363	2462587N50	CHIP IND 56 nH 5%
L3364	2462587N68	CHIP IND 1 uH 5%
L3401	2460591A01	SQUARE COIL 4.22nH 3T
L3402	2484657R01	Ferrite Bead
L3403	2462587T13	COIL CHIP 68nH
L3411	2462587T13	COIL CHIP 68nH

Circuit Ref	Motorola Part No.	Description
L3412	2462587X43	IND CHIP LO-PRO 15.0
L3413	2460591B04	SQUARE COIL 11.03nH 4T
L3414	2460591A11	SQUARE COIL 7.66nH 3T
L3421	2484657R01	Ferrite Bead
L3422	2460591C23	SQUARE COIL 16nH 3T
L3436	2484657R01	Ferrite Bead
L3437	2460592A01	COIL AW 17nH 2T
L3443	2460591X02	COIL SQUARE 25nH
L3471	2462587X69	IND CHIP 1.2uH 5%
L3472	2460592B01	COIL AW 51nH 4T
L3491	2460592B01	COIL AW 51nH 4T
L3492	2460592B01	COIL AW 51nH 4T
L3493	2460592B01	COIL AW 51nH 4T
M3421	2686201B01	HEAT SPREADER
Q3001	4813827A07	TSTR NP N SML SIG MMBR9
Q3002	4813824A17	TSTR PNP 40V .2A B=100-
Q3021	4805921T02	TSTR DUAL ROHM FMC2
Q3101	4813827A07	TSTR NP N SML SIG MMBR9
Q3102	4813827A07	TSTR NP N SML SIG MMBR9
Q3141	4813824A10	TSTR NP N 40V .2A B=50-150
Q3151	4880048M01	TSTR NP N DIG 47k/47k
Q3152	4880048M01	TSTR NP N DIG 47k/47k
Q3221	4880048M01	TSTR NP N DIG 47k/47k
Q3301	4813827A07	TSTR NP N SML SIG MMBR9
Q3303	4802245J50	TSTR DUAL NPN/PNP
Q3304	4805218N63	UMC5N RF TRANS SOT 323
Q3411	4805921T02	DUAL ROHM FMC2 RH
Q3421	4802245J55	MRF1507
Q3422	4880048M01	NPN DIG 47k/47k
Q3441	4886136B01	LD MOS PWR TSTR
Q3442	4880048M01	MRF1565 MRF1550
Q3471	4880048M01	NPN DIG 47k/47k
Q3472	4805128M27	PNP SOT89 BSR33 LH
R3000	0662057A53	1k5 1/16W 5%
R3001	0662057A97	100k 1/16W
R3002	0662057A43	560 1/16W 5%
R3003	0662057A49	1k 1/16W 5%
R3004	0662057A53	1k5 1/16W 5%
R3006	0662057A73	10k 1/16W 5%
R3009	0662057A97	100k 1/16W
R3010	0662057A45	680 OHMS 5%
R3011	0662057A65	4k7 1/16W 5%
R3012	0662057A49	1k 1/16W 5%
R3013	0662057A61	3k3 1/16W 5%
R3014	0662057A18	51 1/16W 5%
R3015	0662057A01	10 1/16W 5%
R3016	0662057A01	10 1/16W 5%
R3018	0662057A33	220 1/16W 5%

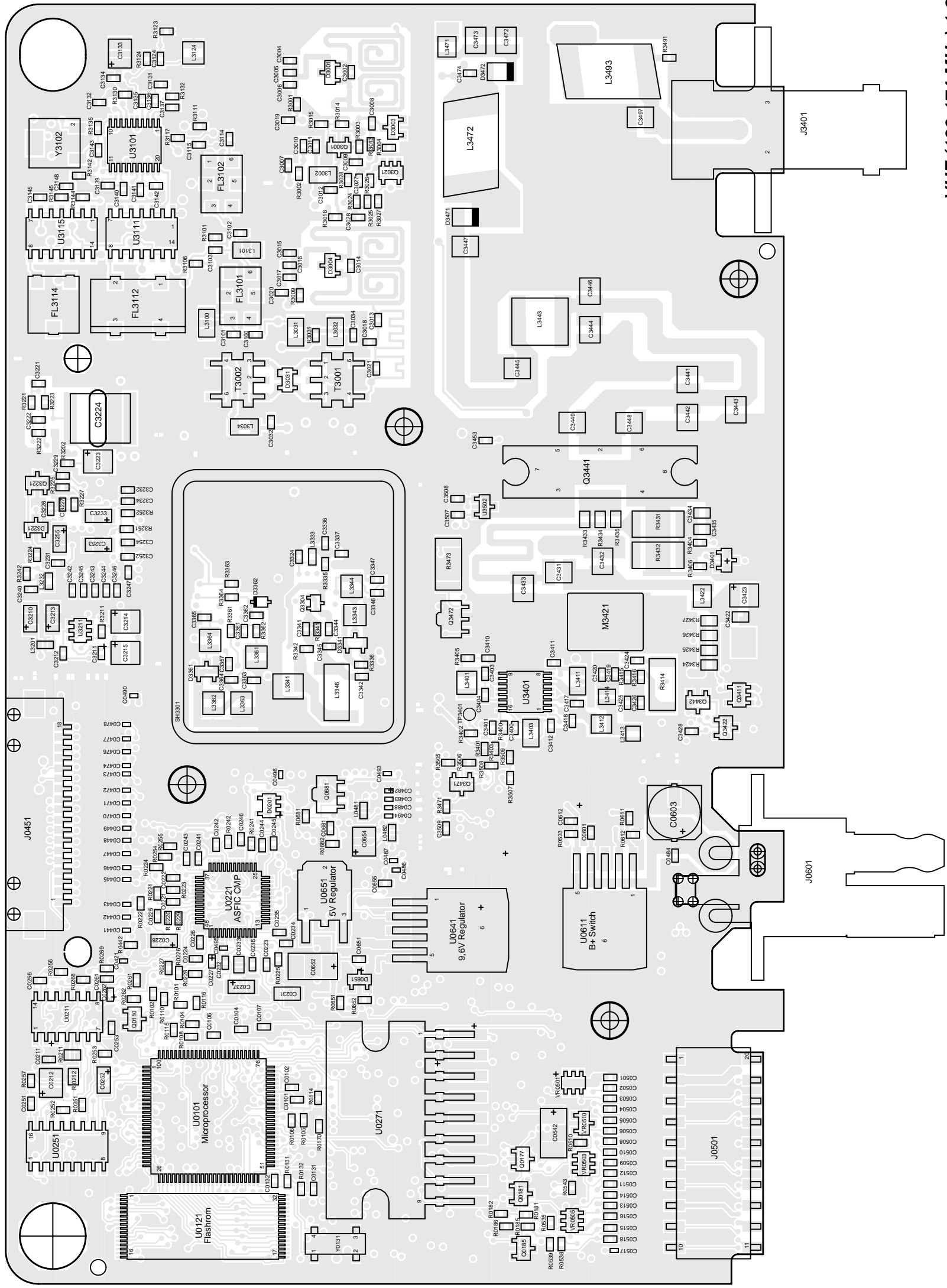
Circuit Ref	Motorola Part No.	Description
R3019	0662057A89	47k 1/16W 5%
R3021	0662057A43	560 1/16W 5%
R3024	0662057A39	390 1/16W 5%
R3025	0662057A53	1k5 1/16W 5%
R3026	0662057A73	10k 1/16W 5%
R3027	0662057A73	10k 1/16W 5%
R3028	0662057A39	390 1/16W 5%
R3031	0662057A18	51 1/16W 5%
R3033	0662057B47	0 1/16W
R3101	0662057A75	12k 1/16W 5%
R3102	0662057A01	10 1/16W 5%
R3105	0662057A25	100 1/16W 5%
R3106	0662057A83	27k 1/16W 5%
R3107	0662057A69	6k8 1/16W 5%
R3108	0662057A44	620 OHMS 5%
R3111	0662057A75	12k 1/16W 5%
R3112	0662057A01	10 1/16W 5%
R3113	0662057A37	330 1/16W 5%
R3115	0662057A39	390 1/16W 5%
R3116	0662057A37	330 1/16W 5%
R3117	0662057A83	27k 1/16W 5%
R3118	0662057A69	6k8 1/16W 5%
R3130	0662057A18	51 1/16W 5%
R3132	0662057A77	15k 1/16W 5%
R3133	0662057A71	8k2 1/16W 5%
R3134	0662057A73	10k 1/16W 5%
R3135	0662057A51	1k2 1/16W 5%
R3141	0662057A39	390 1/16W 5%
R3142	0662057A55	1k8 1/16W 5%
R3144	0662057A58	2k4 1/16W 5%
R3145	0662057A61	3k3 1/16W 5%
R3146	0662057A45	680 OHMS 5%
R3147	0662057A75	12k 1/16W 5%
R3151	0662057A73	10k 1/16W 5%
R3152	0662057A73	10k 1/16W 5%
R3153	0662057A73	10k 1/16W 5%
R3154	0662057A73	10k 1/16W 5%
R3201	0662057A17	47 1/16W 5%
R3203	0662057A17	47 1/16W 5%
R3204	0662057A17	47 1/16W 5%
R3211	0662057B47	0 1/16W
R3221	0662057A39	390 1/16W 5%
R3222	0662057A45	CHIP RES 680 OHMS 5%
R3223	0662057A25	100 1/16W 5%
R3224	0662057A89	47k 1/16W 5%
R3225	0662057A89	47k 1/16W 5%
R3227	0662057A97	100k 1/16W
R3241	0662057A25	100 1/16W 5%
R3242	0662057B47	0 1/16W
R3251	0662057B04	180k 1/16W 5%
R3252	0662057B10	330k 1/16W 5%

Circuit Ref	Motorola Part No.	Description
R3261	0662057A89	47k 1/16W 5%
R3263	0662057A65	4k7 1/16W 5%
R3301	0662057A22	75 1/16W 5%
R3302	0662057A25	100 1/16W 5%
R3303	0662057A57	2k2 1/16W 5%
R3304	0662057A49	1k 1/16W 5%
R3308	0662057B47	0 1/16W
R3311	0662057A25	100 1/16W 5%
R3316	0662057B47	0 1/16W
R3318	0662057A09	22 1/16W 5%
R3321	0662057A73	10k 1/16W 5%
R3323	0662057A49	1k 1/16W 5%
R3331	0662057A17	47 1/16W 5%
R3335	0662057A13	33 1/16W 5%
R3336	0662057A77	15k 1/16W 5%
R3341	0662057A33	220 1/16W 5%
R3342	0662057A15	39 1/16W 5%
R3343	0662057A25	100 1/16W 5%
R3351	0662057A80	20k 1/16W 5%
R3352	0662057A75	12k 1/16W 5%
R3353	0662057A97	100k 1/16W
R3354	0662057B02	150k 1/16W
R3355	0662057A80	20k 1/16W 5%
R3356	0662057A75	12k 1/16W 5%
R3361	0662057A33	220 1/16W 5%
R3362	0662057A17	47 1/16W 5%
R3364	0662057A89	47k 1/16W 5%
R3400	0662057A41	470 1/16W 5%
R3401	0662057A36	300 1/16W 5%
R3402	0662057A05	15 1/16W 5%
R3403	0662057A36	300 1/16W 5%
R3404	0662057A89	47k 1/16W 5%
R3405	0662057A25	100 1/16W 5%
R3406	0662057A97	100k 1/16W
R3412	0662057A67	5k6 1/16W 5%
R3413	0662057A61	3k3 1/16W 5%
R3414	0683962T51	120 1W 5%
R3415	0662057A25	100 1/16W 5%
R3416	0662057A25	100 1/16W 5%
R3418	0662057A81	22k 1/16W 5%
R3421	0662057A87	39k 1/16W 5%
R3422	0662057A57	2k2 1/16W 5%
R3423	0662057A87	39k 1/16W 5%
R3424	0662057C13	2R7 1/10W 5%
R3425	0662057C13	2R7 1/10W 5%
R3426	0662057C13	2R7 1/10W 5%
R3427	0662057C13	2R7 1/10W 5%
R3428	0662057A58	2k4 1/16W 5%
R3429	0662057A33	220 1/16W 5%
R3431	0680194M18	51 1W 5%
R3432	0680194M18	51 1W 5%

Circuit Ref	Motorola Part No.	Description
R3433	0662057C13	2R7 1/10W 5%
R3434	0662057C13	2R7 1/10W 5%
R3435	0662057C13	2R7 1/10W 5%
R3441	0662057A87	39k 1/16W 5%
R3442	0662057A57	2k2 1/16W 5%
R3443	0662057A87	39k 1/16W 5%
R3444	0662057C19	4R7 1/10W 5%
R3445	0662057A58	2k4 1/16W 5%
R3446	0662057B47	0 1/16W
R3450	0662057A41	470 1/16W 5%
R3452	0662057A75	12k 1/16W 5%
R3454	0662057A84	30k 1/16W 5%
R3455	0662057A97	100k 1/16W
R3457	0683962T51	120 1W 5%
R3471	0662057A41	470 1/16W 5%
R3473	0680194M18	51 1W 5%
R3474	0680194M18	51 1W 5%
R3475	0662057A73	10k 1/16W 5%
R3491	0662057A73	10k 1/16W 5%
R3501	0662057A69	6k8 1/16W 5%
R3502	0662057A87	39k 1/16W 5%
R3504	0662057A73	10k 1/16W 5%
R3505	0662057B09	300k 1/16W 5%
R3507	0662057A80	20k 1/16W 5%
R3508	0662057A97	100k 1/16W
R3509	0662057A49	1k 1/16W 5%
T3001	2508396X02	TRANSFORMER
T3002	2508397X02	TRANSFORMER
U3101	5186144B01	FM IF IC SA616
U3111	5113805A86	IC QUAD ANALOG MUX/ DEMUX
U3115	5113805A86	IC QUAD ANALOG MUX/ DEMUX
U3201	5185963A27	IC TESTED AT25016 48 PIN GFP
U3211	5105739X05	IC SOT 5V HI-PRECISION REGULAT
U3301	5105750U54	VCO BUFFER PKG DIE
U3401	5105109Z67	LDMOS DRIVER VHF/UHF
U3402	5180932W01	LINEAR IC OP AMP
U3501	5185765B01	IC POWER CONTROL
U3502	5185963A15	TEMP SENSOR 1M5
VR3471	4813830A15	5.6V 5% 225mW
Y3101	4880606B09	CRYSTAL 44.395 MHZ
Y3102	9186145B02	CERAMIC DISCRIMINATOR 455kHz
Y3263	4886182B01	VCTCXO 16.8MHz 2ppm TTSO5V
* Y3261	Not Used	16.8MHz 75Z04

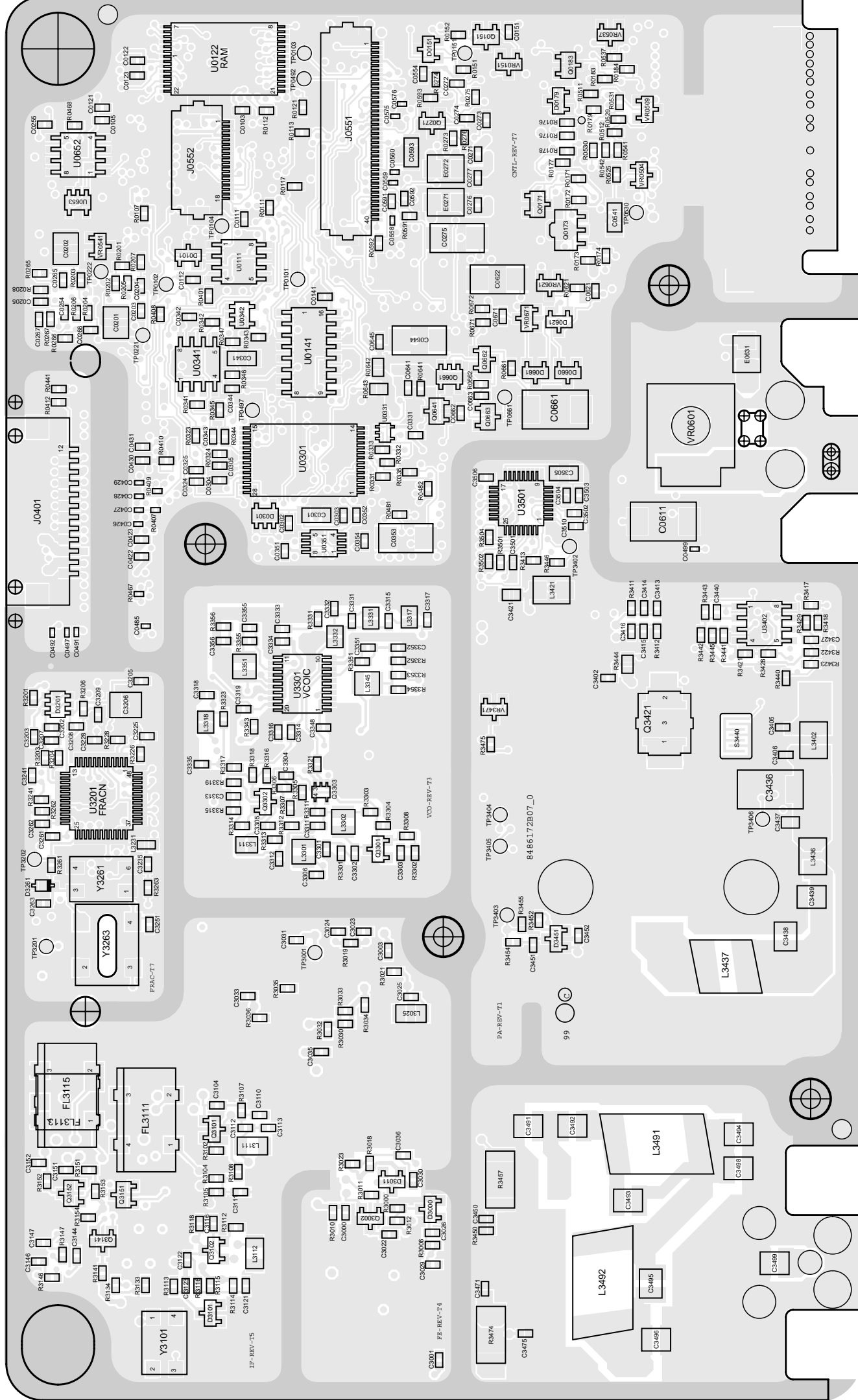
* Motorola Depot Servicing only

Reference designators with an asterisk indicate components which are not fieldreplaceable because they need to be calibrated with specialized factory equipment after installation. Radios in which these parts have been replaced in the field will be off frequency at temperature extremes.



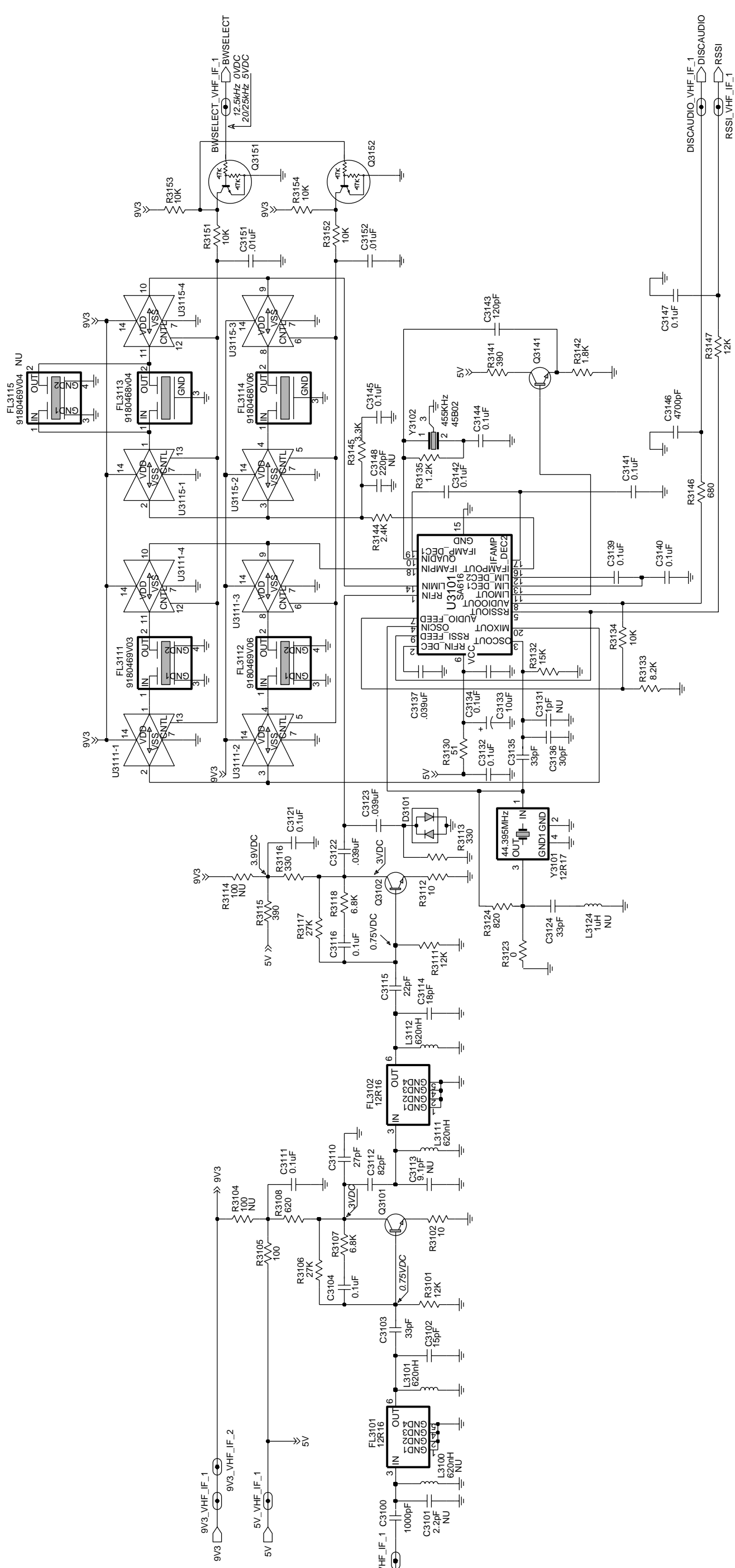
ZWG0130397-A

VHF (136-174 MHz) 1-25W 8486172B07 Top Side



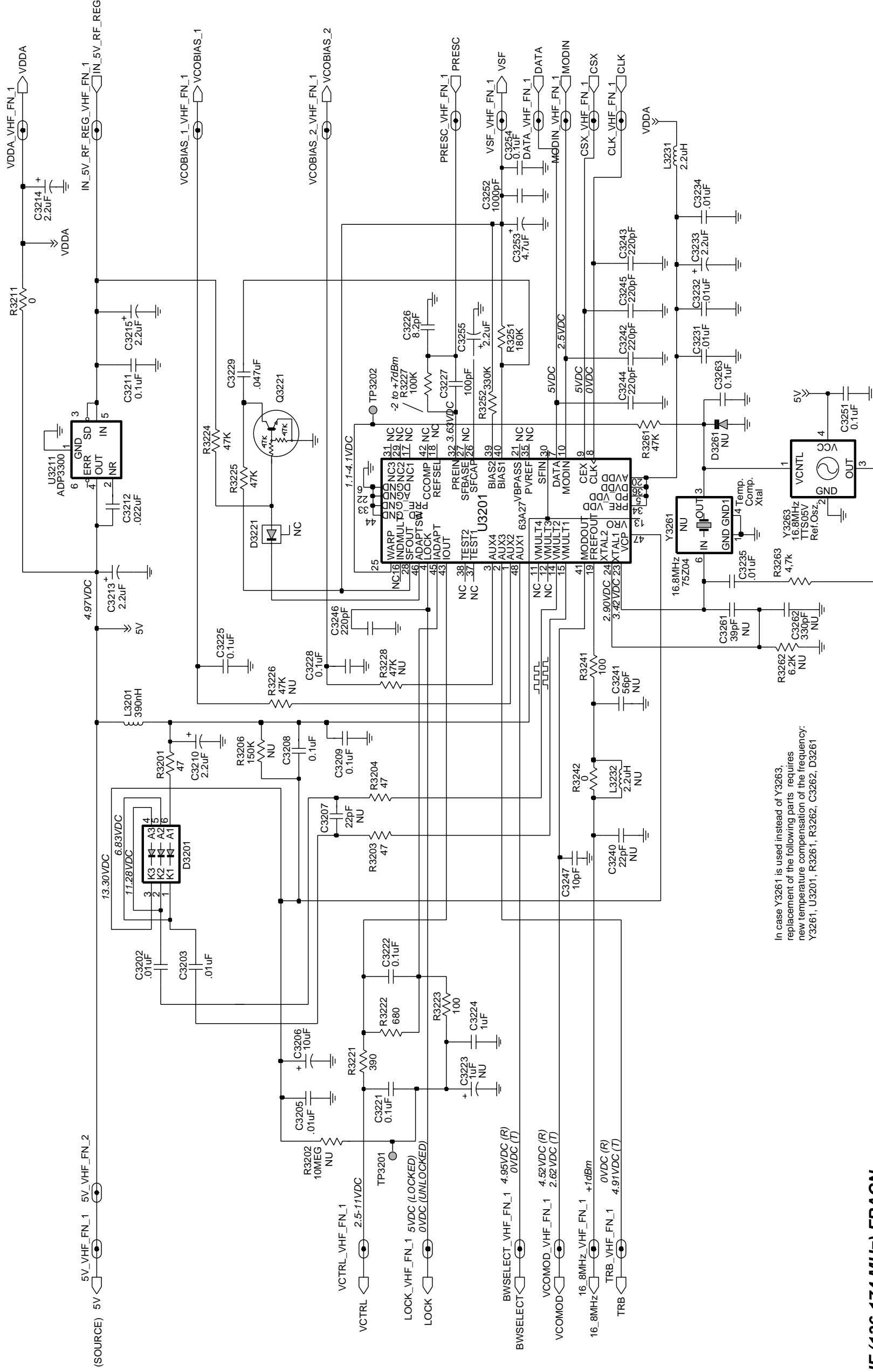
ZWG0130398-A

VHF (136-174 MHz) 1-25W 8486172B07 Bottom Side



ZW60130565-O

VHF (136-174 MHz) IF



In case Y3261 is used instead of Y3263, replacement of the following parts requires new temperature compensation of the frequency: Y3261, U3201, R3261, R3262, C3262, D3261

VHF (136-174 MHz) FRACN

VHF PCB 8486172B07 Parts List 1-25W

Circuit Ref	Motorola Part No.	Description
C3000	2113741F37	3.3nF 50V
C3001	2113740F19	4.7pF 5%
C3002	2113740F26	9.1pF 5%
C3003	2113741F37	3.3nF 50V
C3004	2113740F45	56pF 5%
C3005	2113740F51	100pF 5%
C3006	2113740F45	56pF 5%
C3007	2113741F37	3.3nF 50V
C3008	2113741F25	1nF 50V
C3009	2113741F13	330pF 50V
C3010	2113741F13	330pF 50V
C3011	2113741F37	3.3nF 50V
C3012	2113741F25	1nF 50V
C3013	2113740F45	56pF 5%
C3014	2113740F24	7.5pF 5%
C3015	2113740F45	56pF 5%
C3016	2113740F51	100pF 5% 50V
C3017	2113740F42	43pF 5% 50V
C3019	2113741F25	1nF 50V
C3020	2113741F25	1nF 50V
C3021	2113740F53	120pF 5% 50V
C3022	2113741F49	10nF 50V
C3026	2113743E20	100nF 16V
C3027	2113741F49	10nF 50V
C3028	2113741F49	10nF 50V
C3030	2113741F25	1nF 50V
C3033	2113740F20	5.1pF 5% 50V
C3034	2113740F49	82pF 5% 50V
C3035	2113740F33	18pF 5% 50V
C3036	2113741F25	1nF 50V
C3100	2113741F25	1nF 50V
C3102	2113740F31	15pF 5% 50V
C3103	2113740F39	33pF 5% 50V
C3104	2113743E20	100nF 16V
C3110	2113740F37	27pF 5% 50V
C3111	2113743E20	100nF 16V
C3112	2113740F49	82pF 5% 50V
C3114	2113740F33	18pF 5% 50V
C3115	2113740F35	22pF 5% 50V
C3116	2113743E20	100nF 16V
C3121	2113743E20	100nF 16V
C3122	2113743E11	39nF 10%
C3123	2113743E11	39nF 10%
C3124	2113740L30	33pF 2%
C3132	2113743E20	100nF 16V
C3133	2311049A57	TANT CP 10uF 10% 16V
C3134	2113743E20	100nF 16V
C3135	2113740L30	33pF 2%
C3136	2113740L29	30pF 2%
C3137	2113743E11	39nF 10%

Circuit Ref	Motorola Part No.	Description
C3139	2113743E20	100nF 16V
C3140	2113743E20	100nF 16V
C3141	2113743E20	100nF 16V
C3142	2113743E20	100nF 16V
C3143	2113740F53	120pF 5% 50V
C3144	2113743E20	100nF 16V
C3145	2113743E20	100nF 16V
C3146	2113741F41	4.7nF 50V
C3147	2113743E20	100nF 16V
C3151	2113741F49	10nF 50V
C3152	2113741F49	10nF 50V
C3202	2113741F49	10nF 50V
C3203	2113741F49	10nF 50V
C3205	2113741F49	10nF 50V
C3206	2311049A57	TANT CP 10uF 10% 16V
C3208	2113743E20	100nF 16V
C3209	2113743E20	100nF 16V
C3210	2311049A40	TANT CP 2.2uF 10% 10V
C3211	2113743E20	100nF 16V
C3212	2113743E07	22nF 16V
C3312	2113743E07	22nF 16V
C3213	2311049A40	TANT CP 2.2uF 10% 10V
C3214	2311049A09	TANT CP 2.2uF 10% 20V
C3215	2311049A09	TANT CP 2.2uF 10% 20V
C3221	2113743E20	100nF 16V
C3222	2113743E20	100nF 16V
C3224	0882422W23	FILM SM 1.0uF 15V 5%
C3225	2113743E20	100nF 16V
C3226	2113740F25	8.2pF 5% 50V
C3227	2113740F51	100pF 5% 50V
C3228	2113743E20	100nF 16V
C3229	2113743E12	47nF 10%
C3231	2113741F49	10nF 50V
C3232	2113741F49	10nF 50V
C3233	2311049A40	TANT CP 2.2uF 10%
C3234	2113741F49	10nF 50V
C3235	2113741F49	10nF 50V
C3242	2113740F59	220pF 5% 50V
C3243	2113740F59	220pF 5% 50V
C3244	2113740F59	220pF 5% 50V
C3245	2113740F59	220pF 5% 50V
C3246	2113740F59	220pF 5% 50V
C3247	2113740F27	10pF 5% 50V
C3251	2113743E20	100nF 16V
C3252	2113741F25	1nF 50V
C3253	2311049A56	TANT CP 4.7uF 20% 10V
C3254	2113743E20	100nF 16V
C3255	2311049A40	TANT CP 2.2uF 10% 10V
C3263	2113743E20	100nF 16V
C3302	2113740F23	6.8pF 5% 50V
C3303	2113741F49	10nF 50V

Circuit Ref	Motorola Part No.	Description
C3306	2113740F20	5.1pF 5% 50V
C3311	2113743E07	22nF 16V
C3314	2113740F23	6.8pF 5% 50V
C3315	2113740F31	15pF 5% 50V
C3316	2113740F15	3.3pF 5% 50V
C3317	2113740F39	33pF 5% 50V
C3318	2113740F21	5.6pF 5% 50V
C3319	2113741F25	1nF 50V
C3324	2113741F49	10nF 50V
C3332	2113743E20	100nF 16V
C3333	2113743E20	100nF 16V
C3334	2113743E07	22nF 16V
C3335	2113741F49	10nF 50V
C3336	2113741F49	10nF 50V
C3337	2113743E20	100nF 16V
C3341	2113741F25	1nF 50V
C3342	2113740L05	3.0pF +-0.1pF
C3344	2113740F09	1.8pF 5% 50V
C3345	2113740L25	20pF +-0.25pF
C3346	2113741F49	10nF 50V
C3347	2113741F49	10nF 50V
C3348	2113741F49	10nF 50V
C3351	2113741F49	10nF 50V
C3352	2113743E07	22nF 16V
C3355	2113741F49	10nF 50V
C3356	2113743E07	22nF 16V
C3357	2113740F24	7.5pF 5% 50V
C3361	2113741F25	1nF 50V
C3362	2113740F21	5.6pF 5% 50V
C3363	2113740F47	68pF 5% 50V
C3364	2113740F31	15pF 5% 50V
C3365	2113741F25	1nF 50V
C3400	2113740F63	330pF 5% 50V
C3401	2113740F63	330pF 5% 50V
C3402	2113743E07	22nF 16V
C3403	2113740F39	33pF 5% 50V
C3404	2113740F39	33pF 5% 50V
C3405	2113740F67	470pF 5% 50V
C3406	2113740F67	470pF 5% 50V
C3410	2113743E07	22nF 16V
C3411	2113743E07	22nF 16V
C3412	2113740F63	330pF 5% 50V
C3414	2113740F63	330pF 5% 50V
C3415	2113743E07	22nF 16V
C3416	2113740F63	330pF 5% 50V
C3417	2113740F43	47pF 5% 50V
C3418	2113740F39	33pF 5% 50V
C3419	2113740F57	180pF 5% 50V
C3420	2113740F57	180pF 5% 50V
C3421	2113741A57	33nF 50V
C3422	2113740A67	330pF 5% 50V

Circuit Ref	Motorola Part No.	Description
C3423	2311049A08	TANT CP 1uF 10% 35V
C3424	2113740F67	470pF 5% 50V
C3425	2113743E07	22nF 16V
C3426	2113740F63	330pF 5% 50V
C3427	2113741F33	2.2nF 50V
C3428	2113741F33	2.2nF 50V
C3431	2111078B34	HQ 47pF 5%
C3433	2111078B36	HQ 56pF 5%
C3434	2113741A45	10nF 50V
C3435	2113740A67	330pF 5% 50V
C3436	2311049A45	TANT CP 10uF 10% 35V
C3437	2113741A57	33nF 50V
C3438	2111078B59	HQ 470pF 5%
C3439	2111078B59	HQ 470pF 5%
C3440	2113741F25	1nF 50V
C3441	2111078B47	HQ 150pF 5%
C3442	2111078B47	HQ 150pF 5%
C3445	2111078B21	HQ 20pF 5%
C3446	2111078B42	HQ 100pF 5%
C3447	2111078B19	HQ 16pF 5%
C3448	2111078B44	HQ 120pF 5%
C3449	2111078B44	HQ 120pF 5%
C3450	2113740F67	470pF 5% 50V
C3451	2113741F25	1nF 50V
C3452	2113740F29	12pF 5% 50V
C3453	2113740F67	470pF 5% 50V
C3471	2113743E07	22nF 16V
C3472	2111078B53	HQ 270pF 5%
C3473	2111078B53	HQ 270pF 5%
C3474	2113740F59	220pF 5% 50V
C3475	2113740F23	6.8pF 5% 50V
C3491	2111078B18	HQ 15pF 5%
C3492	2111078B38	HQ 68pF 5%
C3493	2111078B09	HQ 6.8pF 5%
C3494	2111078B16	HQ 13pF 5%
C3495	2111078B01	HQ 3.3pF 5%
C3496	2111078B31	HQ 36pF 5%
C3498	2111078B16	HQ 13pF 5%
C3499	2111078B19	HQ 16pF 5%
C3501	2113741F33	2.2nF 50V
C3502	2113741F33	2.2nF 50V
C3503	2113740F67	470pF 5% 50V
C3504	2113741F49	10nF 50V
C3505	2311049A07	TANT CP 1uF 10% 16V
C3506	2113741F33	2.2nF 50V X7R
C3507	2113740F51	100pF 5% 50V
C3508	2113740F67	470pF 5% 50V
C3510	2113740F67	470pF 5% 50V
D3000	4813833C02	DUAL SOT MMBD6100
D3001	4805649Q13	VCTR 1SV228 SOT23
D3003	4880154K03	DUAL SCHOTTKY SOT23

Circuit Ref	Motorola Part No.	Description
D3004	4805649Q13	VCTR 1SV228 SOT23
D3011	4880142L01	PIN
D3031	4886143B01	MIXER DIODE CROSSOVER
D3101	4880154K03	DIODE DUAL SCHOTTKY
D3201	4802233J09	TRIPLE SOT143-RH
D3221	4880236E05	CHIP SCHOTTKY
D3341	4805649Q13	VCTR 1SV228 SOT23
D3361	4805649Q13	VCTR 1SV228 SOT23
D3362	4862824C01	VARACTOR CHIP
D3401	4813833C02	DUAL SOT MMBD6100
D3451	4880236E05	CHIP SCHOTTKY
D3471	4802482J02	PIN MA/COM
D3472	4802482J02	PIN MA/COM
FL3101	9180112R16	44.85 MHZ CRYSTAL FLTR
FL3102	9180112R16	44.85 MHZ CRYSTAL FLTR
FL3111	9180469V03	CER FLTR 6EL 455 KHZ
FL3112	9180469V06	CER FLTR 6EL 455 KHZ
FL3113	9180468V04	CER FLTR 4EL 455 KHZ
FL3114	9180468V06	CER FLTR 4EL 455 KHZ
J3401	0986166B02	RF CONN MINI UHF
L3002	2462587T23	COIL CHIP 470nH
L3031	2462587T24	COIL CHIP 560nH
L3032	2462587T17	COIL CHIP 150nH
L3101	2462587T25	COIL CHIP 620nH
L3111	2462587T25	COIL CHIP 620nH
L3112	2462587T25	COIL CHIP 620nH
L3124	2462587N68	1uH
L3201	2462587Q42	IND CHIP 390nH 10%
L3231	2462587Q20	IND CHIP 2.2uH 20%
L3301	2462587N44	CHIP IND 18 NH 5%
L3302	2462587N53	CHIP IND 100 nH 5%
L3317	2462587V28	CHIP IND 33 NH 5%
L3318	2462587V34	IND CHIP 100nH 5%
L3331	2462587V32	CHIP IND 68NH 5%
L3332	2462587V15	IND CHIP 100nH 10%
L3333	2462587Q47	IND CHIP 1uH 10%
L3341	2484562T13	MINI-SPRING AW IND 8NH 2%
L3343	2462587N56	COIL CHIP 180nH 5%
L3344	2462587N68	CHIP IND 1 uH 5%
L3345	2462587N68	CHIP IND 1 uH 5%
L3346	2484562T18	MINI-SPRING AW IND 35.5NH 2%
L3351	2462587N68	CHIP IND 1 uH 5%
L3361	2462587N50	CHIP IND 56 nH 5%
L3362	2462587N50	CHIP IND 56 nH 5%
L3363	2462587N50	CHIP IND 56 nH 5%
L3364	2462587N68	CHIP IND 1 uH 5%
L3401	2460591A01	SQUARE COIL 4.22nH 3T
L3402	2484657R01	Ferrite Bead
L3403	2462587T13	COIL CHIP 68nH
L3411	2462587T13	COIL CHIP 68nH
L3412	2462587X43	IND CHIP LO-PRO 15.0
L3413	2460591B04	SQUARE COIL 11.03nH 4T
L3414	2460591A11	SQUARE COIL 7.66nH 3T
L3421	2484657R01	Ferrite Bead
L3422	2460591C23	SQUARE COIL 16nH 3T
L3436	2484657R01	Ferrite Bead
L3437	2460592A01	COIL AW 17nH 2T
L3443	2460591X02	COIL SQUARE 25nH
L3471	2462587X69	IND CHIP 1.2uH 5%
L3472	2460592B01	COIL AW 51nH 4T
L3491	2460592B01	COIL AW 51nH 4T
L3492	2460592B01	COIL AW 51nH 4T
L3493	2460592B01	COIL AW 51nH 4T
M3421	2686201B01	HEAT SPREADER
Q3001	4813827A07	TSTR NPN SML SIG MMBR9
Q3002	4813824A17	TSTR PNP 40V .2A B=100-
Q3021	4805921T02	TSTR DUAL ROHM FMC2
Q3101	4813827A07	TSTR NPN SML SIG MMBR9
Q3102	4813827A07	TSTR NPN SML SIG MMBR9
Q3141	4813824A10	TSTR NPN 40V .2A B=50-150
Q3151	4880048M01	TSTR NPN DIG 47k/47k
Q3152	4880048M01	TSTR NPN DIG 47k/47k
Q3221	4880048M01	TSTR NPN DIG 47k/47k
Q3301	4813827A07	TSTR NPN SML SIG MMBR9
Q3303	4802245J50	TSTR DUAL NPN/PNP
Q3304	4805218N63	UMC5N
Q3411	4805921T02	RF TRANS SOT 323
Q3421	4802245J55	BFQ67W
Q3422	4880048M01	DUAL ROHM FMC2 RH
Q3441	4886136B01	MRF1507
Q3442	4880048M01	NPN DIG 47k/47k
Q3471	4880048M01	NPN DIG 47k/47k
Q3472	4805128M27	PNP SOT89 BSR33 LH
R3000	0662057A53	1k5 1/16W 5%
R3001	0662057A97	100k 1/16W
R3002	0662057A43	560 1/16W 5%
R3003	0662057A49	1k 1/16W 5%
R3004	0662057A53	1k5 1/16W 5%
R3006	0662057A73	10k 1/16W 5%
R3009	0662057A97	100k 1/16W
R3010	0662057A45	680 OHMS 5%
R3011	0662057A65	4k7 1/16W 5%
R3012	0662057A49	1k 1/16W 5%
R3013	0662057A61	3k3 1/16W 5%
R3014	0662057A18	51 1/16W 5%
R3015	0662057A01	10 1/16W 5%
R3016	0662057A01	10 1/16W 5%
R3018	0662057A33	220 1/16W 5%
R3019	0662057A89	47k 1/16W 5%
R3021	0662057A43	560 1/16W 5%
R3024	0662057A39	390 1/16W 5%
R3025	0662057A53	1k5 1/16W 5%
R3026	0662057A73	10k 1/16W 5%
R3027	0662057A73	10k 1/16W 5%
R3028	0662057A39	390 1/16W 5%
R3031	0662057A18	51 1/16W 5%
R3033	0662057B47	0 1/16W
R3101	0662057A75	12k 1/16W 5%
R3102	0662057A01	10 1/16W 5%
R3105	0662057A25	100 1/16W 5%
R3106	0662057A83	27k 1/16W 5%
R3107	0662057A69	6k8 1/16W 5%
R3108	0662057A44	620 OHMS 5%
R3111	0662057A75	12k 1/16W 5%
R3112	0662057A01	10 1/16W 5%
R3113	0662057A37	330 1/16W 5%
R3115	0662057A39	390 1/16W 5%
R3116	0662057A37	330 1/16W 5%
R3117	0662057A83	27k 1/16W 5%
R3118	0662057A69	6k8 1/16W 5%
R3123	0662057B47	0 1/16W
R3124	0662057A47	820 1/16W
R3130	0662057A18	51 1/16W 5%
R3132	0662057A77	15k 1/16W 5%
R3133	0662057A71	8k2 1/16W 5%
R3134	0662057A73	10k 1/16W 5%
R3135	0662057A51	1k2 1/16W 5%
R3141	0662057A39	390 1/16W 5%
R3142	0662057A55	1k8 1/16W 5%
R3144	0662057A58	2k4 1/16W 5%
R3145	0662057A61	3k3 1/16W 5%
R3146	0662057A45	680 OHMS 5%
R3147	0662057A75	12k 1/16W 5%
R3151	0662057A73	10k 1/16W 5%
R3152	0662057A73	10k 1/16W 5%
R3153	0662057A73	10k 1/16W 5%
R3154	0662057A73	10k 1/16W 5%
R3201	0662057A17	47 1/16W 5%
R3202	0662057B46	10MEG
R3203	0662057A17	47 1/16W 5%
R3204	0662057A17	47 1/16W 5%
R3206	0662057B02	150k 1/16W
R3211	0662057B47	0 1/16W
R3221	0662057A39	390 1/16W 5%
R3222	0662057A45	CHIP RES 680 OHMS 5%
R3223	0662057A25	100 1/16W 5%
R3224	0662057A89	47k 1/16W 5%
R3225	0662057A89	47k 1/16W 5%
R3227	0662057A97	100k 1/16W
R3241	0662057A25	100 1/16W 5%
R3242	0662057B47	0 1/16W
R3251	0662057B04	180k 1/16W 5%
R3252	0662057B10	330k 1/16W 5%
R3261	0662057A89	47k 1/16W 5%
R3263	0662057A65	4k7 1/16W 5%
R3301	0662057A22	75 1/16W 5%
R3302	0662057A25	100 1/16W 5%
R3303	0662057A57	2k2 1/16W 5%
R3304	0662057A49	1k 1/16W 5%
R3308	0662057B47	0 1/16W
R3311	0662057A25	100 1/16W 5%
R3316	0662057B47	0 1/16W
R3318	0662057A09	22 1/16W 5%
R3321	0662057A73	10k 1/16W 5%
R3323	0662057A49	1k 1/16W 5%
R3331	0662057A17	47 1/16W 5%
R3335	0662057A13	33 1/16W 5%
R3336	0662057A77	15k 1/16W 5%
R3341	0662057A33	220 1/16W 5%
R3342	0662057A15	39 1/16W 5%
R3343	0662057A25	100 1/16W 5%
R3351	0662057A80	20k 1/16W 5%
R3352	0662057A75	12k 1/16W 5%
R3353	0662057A97	100k 1/16W
R3354	0662057B02	150k 1/16W
R3355	0662057A80	20k 1/16W 5%
R3356	0662057A75	12k 1/16W 5%
R3361	0662057A33	220 1/16W 5%
R3362	0662057A17	47 1/16W 5%
R3364	0662057A89	47k 1/16W 5%
R3400	0662057A41	470 1/16W 5%
R3401	0662057A36	300 1/16W 5%
R3402	0662057A05	15 1/16W 5%
R3403	0662057A36	300 1/16W 5%
R3404	0662057A89	47k 1/16W 5%
R3405	0662057A25	100 1/16W 5%
R3406	0662057A97	100k 1/16W
R3412	0662057A67	5k6 1/16W 5%
R3413	0662057A61	3k3 1/16W 5%
R3414	0683962T51	120 1W 5%
R3415	0662057A25	100 1/16W 5%
R3416	0662057A25	100 1/16W 5%
R3418	0662057A81	22k 1/16W 5%

Circuit Ref	Motorola Part No.	Description
R3421	0662057A87	39k 1/16W 5%
R3422	0662057A57	2k2 1/16W 5%
R3423	0662057A87	39k 1/16W 5%
R3424	0662057C13	2R7 1/10W 5%
R3425	0662057C13	2R7 1/10W 5%
R3426	0662057C13	2R7 1/10W 5%
R3427	0662057C13	2R7 1/10W 5%
R3428	0662057A58	2k4 1/16W 5%
R3429	0662057A33	220 1/16W 5%
R3431	0680194M18	51 1W 5%
R3432	0680194M18	51 1W 5%
R3433	0662057C13	2R7 1/10W 5%
R3434	0662057C13	2R7 1/10W 5%
R3435	0662057C13	2R7 1/10W 5%
R3441	0662057A87	39k 1/16W 5%
R3442	0662057A57	2k2 1/16W 5%
R3443	0662057A87	39k 1/16W 5%
R3444	0662057C19	4R7 1/10W 5%
R3445	0662057A58	2k4 1/16W 5%
R3446	0662057B47	0 1/16W
R3450	0662057A41	470 1/16W 5%
R3452	0662057A75	12k 1/16W 5%
R3454	0662057A84	30k 1/16W 5%
R3455	0662057A97	100k 1/16W
R3457	0683962T51	120 1W 5%
R3471	0662057A41	470 1/16W 5%
R3473	0680194M18	51 1W 5%
R3474	0680194M18	51 1W 5%
R3475	0662057A73	10k 1/16W 5%
R3491	0662057A73	10k 1/16W 5%
R3501	0662057A69	6k8 1/16W 5%
R3502	0662057A87	39k 1/16W 5%
R3504	0662057A73	10k 1/16W 5%
R3505	0662057B09	300k 1/16W 5%
R3507	0662057A80	20k 1/16W 5%
R3508	0662057A97	100k 1/16W
R3509	0662057A49	1k 1/16W 5%
T3001	2508396X02	TRANSFORMER
T3002	2508397X02	TRANSFORMER
U3101	5186144B01	FM IF IC SA616
U3111	5113805A86	IC QUAD ANALOG MUX/ DEMUX
U3115	5113805A86	IC QUAD ANALOG MUX/ DEMUX
U3201	5185963A27	IC TESTED AT25016 48 PIN GFP
U3211	5105739X05	IC SOT 5V HI-PRECISION REGULAT
U3301	5105750U54	VCO BUFFER PKG DIE
U3401	5105109Z67	LDMOS DRIVER VHF/UHF
U3402	5180932W01	LINEAR IC OP AMP

Circuit Ref	Motorola Part No.	Description
U3501	5185765B01	IC POWER CONTROL
U3502	5185963A15	TEMP SENSOR 1M5
VR3471	4813830A15	5.6V 5% 225mW
Y3101	4880606B09	CRYSTAL 44.395 MHZ
Y3102	9186145B02	CERAMIC DISCRIMINATOR 455kHz
Y3263	4886182B01	VCTCXO 16.8MHz 2ppm TTSO5V
* Y3261	Not Used	16.8MHz 75Z04

* Motorola Depot Servicing only

Reference designators with an asterisk indicate components which are not fieldreplaceable because they need to be calibrated with specialized factory equipment after installation. Radios in which these parts have been replaced in the field will be off frequency at temperature extremes.

THIS PAGE INTENTIONALLY LEFT BLANK



GM328/GM338/GM398

Mobile Radios

UHF (403-470MHz)

Service Information

Computer Software Copyrights

The Motorola products described in this manual may include copyrighted Motorola computer programs stored in semiconductor memories or other media. Laws in the United States and other countries preserve for Motorola certain exclusive rights for copyrighted computer programs, including the exclusive right to copy or reproduce in any form, the copyrighted computer program. Accordingly, any copyrighted Motorola computer programs contained in the Motorola products described in this manual may not be copied or reproduced in any manner without the express written permission of Motorola. Furthermore, the purchase of Motorola products shall not be deemed to grant, either directly or by implication, estoppel or otherwise, any license under the copyrights, patents or patent applications of Motorola, except for the normal non-exclusive royalty-free license to use that arises by operation of law in the sale of a product.

Table of Contents

Section 1 Model Chart and Technical Specifications

1.0 GM328/GM338/GM398 Model Chart	1-1
2.0 Technical Specifications	1-2

Section 2 Theory of Operation

1.0 Introduction	2-1
2.0 UHF (403-470 MHz) Receiver	2-1
2.1 Receiver Front-End	2-1
2.2 Front-End Band-Pass Filters & Pre-Amplifier	2-2
2.3 First Mixer and High Intermediate Frequency (IF)	2-2
2.4 Low Intermediate Frequency (IF) and Receiver Back End	2-3
3.0 UHF (403-470 MHz) Transmitter Power Amplifier (PA) 25 W	2-3
3.1 First Power Controlled Stage	2-4
3.2 Power Controlled Driver Stage	2-4
3.3 Final Stage	2-4
3.4 Directional Coupler	2-5
3.5 Antenna Switch	2-5
3.6 Harmonic Filter	2-5
3.7 Power Control	2-5
4.0 UHF (403-470 MHz) Frequency Synthesis	2-6
4.1 Reference Oscillator	2-6
4.2 Fractional-N Synthesizer	2-7
4.3 Voltage Controlled Oscillator (VCO)	2-8
4.4 Synthesizer Operation	2-9

Section 3 Troubleshooting Charts

1.0 Troubleshooting Flow Chart for Receiver	3-1
2.0 Troubleshooting Flow Chart for 25W Transmitter	3-3
3.0 Troubleshooting Flow Chart for Synthesizer	3-6
4.0 Troubleshooting Flow Chart for VCO	3-7

Section 4 UHF PCB/Schematics/Parts Lists

1.0 Allocation of Schematics and Circuit Boards	4-1
1.1 Controller Circuits	4-1
2.0 UHF 1-25W PCBs / Schematics / Parts Lists	4-3
UHF (403-470 MHz) 1-25W 8485670Z02 Top Side	4-3
UHF (403-470 MHz) 1-25W 8485670Z02 Bottom Side	4-4
UHF (403-470 MHz) Power Amplifier 1 - 25W	4-5
UHF (403-470 MHz) FRACN	4-6
UHF (403-470 MHz) Voltage Controlled Oscillator	4-7
UHF (403-470 MHz) Receiver Front End	4-8
UHF (403-470 MHz) IF	4-9
UHF PCB 8485670Z02 Parts List 1-25W	4-10
UHF (403-470 MHz) 1-25W 8485670Z03 Top Side	4-13
UHF (403-470 MHz) 1-25W 8485670Z03 Bottom Side	4-14
UHF (403-470 MHz) Power Amplifier 1 - 25W	4-15
UHF (403-470 MHz) FRACN	4-16
UHF (403-470 MHz) Voltage Controlled Oscillator	4-17
UHF (403-470 MHz) Receiver Front End	4-18
UHF (403-470 MHz) IF	4-19
UHF PCB 8485670Z03 Parts List 1-25W	4-20

Section 1

MODEL CHART AND TECHNICAL SPECIFICATIONS

1.0 GM328/GM338/GM398 Model Chart

GM Series, UHF Band 1, 403-470 MHz			
Model			Description
		AZM25RHC9AA1	GM328 403-470 MHz 1-25W
		AZM25RHF9AA5	GM338 403-470 MHz 1-25W
		AZM25RHN9AA8	GM398 403-470 MHz 1-25W
		Item	Description
X		GCN6112_	GM328 Control Head Direct Mount
	X	GCN6114_	GM338 Control Head Direct Mount
		X GCN6115_	GM398 Control Head Direct Mount
X	X	IMUE6021_	Tanapa WM 403-470 MHz 1-25W
		X IMUE6039_	Tanapa WM 403-470 MHz 1-25W
X	X	X RAE4151_	BNC 403-430 MHz, 1/4 Wave Roof Mount
X	X	X RAE4158_	BNC 406-420 MHz, 3.5dB Gain Roof Mount
X	X	X RAE4152_	BNC 450-470 MHz, 1/4 Wave Roof Mount
X	X	X RAE4153_	BNC 450-470 MHz, 3.5dB Gain Roof Mount
X	X	X RAE4154_	BNC 450-470 MHz, 5dB Gain Roof Mount
X		6804113J74	GM328 User Guide
	X	6804112J06	GM338 User Guide
		X 6804112J07	GM398 User Guide

x = Indicates one of each is required.

2.0 Technical Specifications

Data is specified for +25°C unless otherwise stated.

General Specifications	
Channel Capacity GM328 GM338 GM398	4 128 160
Power Supply	13.2Vdc (10.8 - 15.6Vdc)
Dimensions: H x W x D (mm) Depth excluding knobs	GM328 56mm x 176mm x 177mm (add 8mm for Volume Knob)
Dimensions: H x W x D (mm) Depth excluding knobs	GM338 59mm x 179mm x 186mm (1 - 25W) 59mm x 179mm x 198mm (25 - 45W) (add 9mm for Volume Knob)
Dimensions: H x W x D (mm) Depth excluding knobs	GM398 72mm x 185mm x 188mm (add 8mm for Volume Knob)
Weight: GM328/GM338	1400 g
Weight: GM398	1500 g
Sealing:	Withstands rain testing per MIL STD 810 C/D/E and IP54
Shock and Vibration:	Protection provided via impact resistant housing exceeding MIL STD 810-C/D/E
Dust, Salt & Fog:	Protection provided via environment resistant housing exceeding MIL STD 810 C/D/E

Transmitter	UHF
*Frequencies - Full Bandsplit	UHF 403-470 MHz
Channel Spacing	12.5/20/25 kHz
Frequency Stability (-30°C to +60°C, +25° Ref.)	±2.0 ppm
Power	1-25W
Modulation Limiting	±2.5 @ 12.5 kHz ±4.0 @ 20 kHz ±5.0 @ 25 kHz
FM Hum & Noise	-40 dB @ 12.5kHz -45 dB @ 20/25kHz
Conducted/Radiated Emission (ETS)	-36 dBm <1 GHz -30 dBm >1 GHz
Adjacent Channel Power	-60 dB @ 12.5 kHz -70 dB @ 25 kHz
Audio Response (300 - 3000 Hz)	+1 to -3 dB
Audio Distortion @ 1000Hz, 60% Rated Maximum Deviation	<3% typical

Receiver	UHF
*Frequencies - Full Bandsplit	UHF 403-470 MHz
Channel Spacing	12.5/20/25 kHz
Sensitivity (12 dB SINAD)	0.30 µV (0.22 µV typical)
Intermodulation (ETS)	>65 dB Base Mode: >70dB (1-25W model only)
Adjacent Channel Selectivity (ETS)	65 dB @ 12.5 kHz 70 dB @ 20 kHz 75 dB @ 25 kHz
Spurious Rejection (ETS)	70 dB @ 12.5 kHz 75 dB @ 20/25 kHz
Rated Audio	3W Internal 13W External
Audio Distortion @ Rated Audio	<3% typical
Hum & Noise	-40 dB @ 12.5 kHz -45 dB @ 20/25 kHz

Receiver	UHF
Audio Response (300 - 3000Hz @ 20/25kHz) (300 - 2550Hz @ 12.5kHz)	+1 to -3 dB
Conducted Spurious Emission (ETS)	-57 dBm <1 GHz -47 dBm >1 GHz

*Availability subject to the laws and regulations of individual countries.

Section 2

THEORY OF OPERATION

1.0 Introduction

This Chapter provides a detailed theory of operation for the UHF circuits in the radio. For details of the theory of operation and troubleshooting for the the associated Controller circuits refer to the Controller Section of this manual.

2.0 UHF (403-470 MHz) Receiver

2.1 Receiver Front-End

The receiver is able to cover the UHF range from 403 to 470 MHz. It consists of four major blocks: front-end bandpass filters and pre-amplifier, first mixer, high-IF, low-IF and receiver back-end . Two varactor-tuned bandpass filters perform antenna signal pre-selection. A cross over quad diode mixer converts the signal to the first IF of 44.85 MHz. Low-side first injection is used.

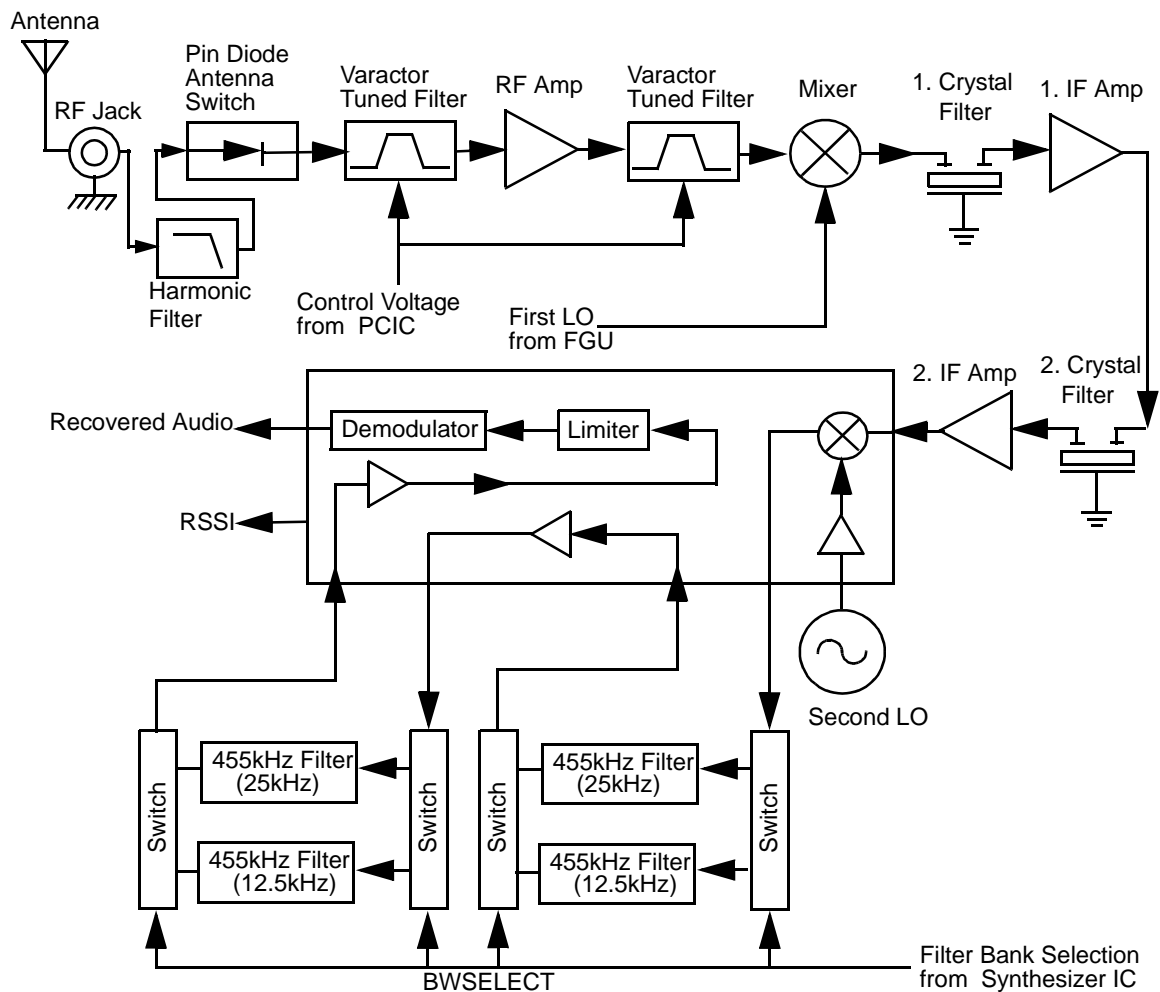


Figure 2-1 UHF Receiver Block Diagram

There are two 2-pole 44.85 MHz crystal filters in the high-IF section and 2 pairs of 455 kHz ceramic filters in the low-IF section to provide the required adjacent channel selectivity. The correct pair of ceramic filters for 12.5 or 25KHz channel spacing is selected via control line BWSELECT. The second IF at 455 kHz is mixed, amplified and demodulated in the IF IC. The processing of the demodulated audio signal is performed by an audio processing IC located in the controller section.

2.2 Front-End Band-Pass Filters & Pre-Amplifier

The received signal from the radio's antenna connector is first routed through the harmonic filter and antenna switch, which are part of the RF power amplifier circuitry, before being applied to the receiver pre-selector filter (C4001, C4002, D4001 and associated components). The 2-pole pre-selector filter tuned by the varactor diodes D4001 and D4002 pre-selects the incoming signal (RXIN) from the antenna switch to reduce spurious effects to following stages. The tuning voltage (FECTRL_1) ranging from 2 volts to 8 volts is controlled by pin 20 of PCIC (U4501) in the Transmitter section. A dual hot carrier diode (D4003) limits any inband signal to 0 dBm to prevent damage to the pre-amplifier.

The RF pre-amplifier is an SMD device (Q4003) with collector base feedback to stabilize gain, impedance, and intermodulation. The collector current of approximately 11-16 mA is drawn from the voltage 9V3 via L4003 and R4002. A switchable 3dB pad (R4066,R4007,R4063, R4064 and R4070), controlled via line FECTRL_2 and Q4004 stabilizes the output impedance and intermodulation performance.

A second 2-pole varactor tuned bandpass filter provides additional filtering of the amplified signal. The varactor diodes D4004 and D4005 are controlled by the same signal FECTRL_1, which controls the pre-selector filter. A following 1 dB pad (R4013 - R4015) stabilizes the output impedance and intermodulation performance.

2.3 First Mixer and High Intermediate Frequency (IF)

The signal coming from the front-end is converted to the first IF (44.85 MHz) using a cross over quad diode mixer (D4051). Its ports are matched for incoming RF signal conversion to the 44.85 MHz IF using low side injection via matching transformers T4051 and T4052. The injection signal (RXINJ) coming from the RX VCO buffer (Q4332) is filtered by the lowpass filter consisting of (L4053, L4054, C4053 - C4055) followed by a matching transformer T4052 and has a level of approximately 15dBm.

The mixer IF output signal (IF) from transformer T4501 pin 2 is fed to the first two pole crystal filter FL3101. The filter output in turn is matched to the following IF amplifier.

The IF amplifier Q3101 is actively biased by a collector base feedback (R3101, R3106) to a current drain of approximately 5 mA drawn from the voltage 5V. Its output impedance is matched to the second two pole crystal filter FL3102. The signal is further amplified by a preamplifier (Q3102) before going into pin 1 of IFIC (U3101).

A dual hot carrier diode (D3101) limits the filter output voltage swing to reduce overdrive effects at RF input levels above -27 dBm.

2.4 Low Intermediate Frequency (IF) and Receiver Back End

The 44.85 MHz high IF signal from the second IF amplifier feeds the IF IC (U3101) at pin 1. Within the IF IC the 44.85 MHz high IF signal mixes with the 44.395 MHz second local oscillator (2nd LO) to produce the low IF signal at 455 kHz. The 2nd LO frequency is determined by crystal Y3101. The low IF signal is amplified and filtered by an external pair of 455 kHz ceramic filters FL3112, FL3114 for 20/25 kHz channel spacing or FL3111, FL3113/F3115 for 12.5 kHz channel spacing. These pairs are selectable via BWSELECT. The filtered output from the ceramic filters is applied to the limiter input pin of the IF IC (pin 14).

The IF IC contains a quadrature detector using a ceramic phase-shift element (Y3102) to provide audio detection. Internal amplification provides an audio output level of 120 mV rms (at 60% deviation) from U3103 pin 8 (DISCAUDIO) which is fed to the ASFIC_CMP (U0221) pin 2 (part of the Controller circuitry).

A Received Signal Strength Indicator (RSSI) signal is available at U3101 pin 5, having a dynamic range of 70 dB. The RSSI signal is interpreted by the microprocessor (U0101 pin 63) and in addition is available at accessory connector J0501-15.

3.0 UHF (403-470 MHz) Transmitter Power Amplifier (PA) 25 W

The radio's 25W PA is a three stage amplifier used to amplify the output from the VCOBIC to the radio transmit level. All three stages utilize LDMOS technology. The gain of the first stage (U4401) is adjustable, controlled by pin 4 of PCIC (U4501) via U4402-1. It is followed by an LDMOS stage (Q4421) and LDMOS final stage (Q4441).

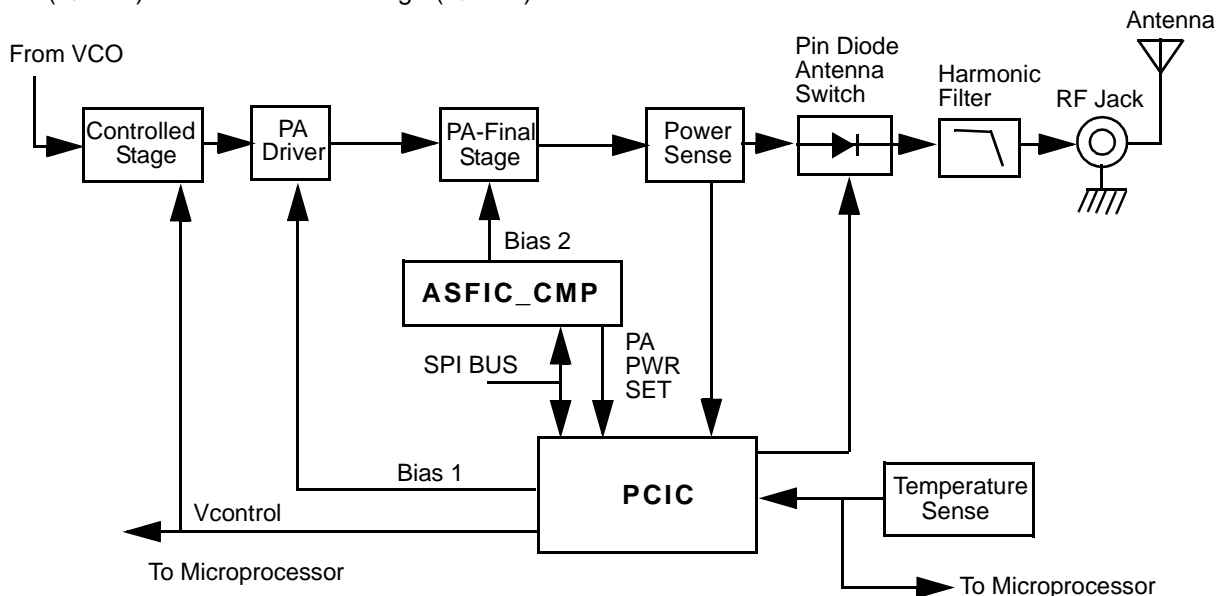


Figure 2-2 UHF Transmitter Block Diagram

Devices U4401, Q4421 and Q4441 are surface mounted. A pressure pad between board and the radio's cover provides good thermal contact between the devices and the chassis.

3.1 First Power Controlled Stage

The first stage (U4401) is a 20dB gain integrated circuit containing two LDMOS FET amplifier stages. It amplifies the RF signal from the VCO (TXINJ). The output power of stage U4401 is controlled by a DC voltage applied to pin 1 from the op-amp U4402-1, pin 1. The control voltage simultaneously varies the bias of two FET stages within U4401. This biasing point determines the overall gain of U4401 and therefore its output drive level to Q4421, which in turn controls the output power of the PA.

Op-amp U4402-1 monitors the drain current of U4401 via resistor R4444 and adjusts the bias voltage of U4401 so that the current remains constant. The PCIC (U4501) provides a DC output voltage at pin 4 (INT) which sets the reference voltage of the current control loop. A raising power output causes the DC voltage from the PCIC to fall, and U4402-1 adjusts the bias voltage for a lower drain current to lower the gain of the stage.

In receive mode the DC voltage from PCIC pin 23 (RX) turns on Q4442, which in turn switches off the biasing voltage to U4401.

Switch S5440 is a pressure pad with a conductive strip which connects two conductive areas on the board when the radio's cover is properly screwed to the chassis. When the cover is removed, S5440 opens and the resulting high voltage level at the inverting inputs of the current control op-amps U4402-1 & 2 switches off the biasing of U4401 and Q4421. This prevents transmitter key up while the devices do not have proper thermal contact to the chassis.

3.2 Power Controlled Driver Stage

The next stage is an LDMOS device (Q4421) providing a gain of 12dB. This device requires a positive gate bias and a quiescent current flow for proper operation. The bias is set during transmit mode by the drain current control op-amp U4402-2, and fed to the gate of Q4421 via the resistive network R4429, R4418, R4415 and R4416.

Op-amp U4402-2 monitors the drain current of U4421 via resistors R4424-27 and adjusts the bias voltage of Q4421 so that the current remains constant. The PCIC (U4501) provides a DC output voltage at pin 4 (INT) which sets the reference voltage of the current control loop. A raising power output causes the DC voltage from the PCIC to fall, and U4402-2 adjusts the bias voltage for a lower drain current to lower the gain of the stage.

In receive mode the DC voltage from PCIC pin 23 (RX) turns on Q4422, which in turn switches off the biasing voltage to Q4421.

3.3 Final Stage

The final stage is an LDMOS device (Q4441) providing a gain of 12dB. This device also requires a positive gate bias and a quiescent current flow for proper operation. The voltage of the line MOSBIAS_2 is set in transmit mode by the ASFIC and fed to the gate of Q4441 via the resistive network R4404, R4406, and R4431-2. This bias voltage is tuned in the factory. If the transistor is replaced, the bias voltage must be tuned using the Global Tuner. Care must be taken not to damage the device by exceeding the maximum allowed bias voltage. The device's drain current is drawn directly from the radio's DC supply voltage input, PASUPVLTG, via L4436 and L4437. A matching network consisting of C4441-49 and striplines transforms the impedance to 50 ohms and feeds the directional coupler.

3.4 Directional Coupler

The directional coupler is a microstrip printed circuit, which couples a small amount of the forward power delivered by Q4441. The coupled signal is rectified by D4451. The DC voltage is proportional to the RF output power and feeds the RFIN port of the PCIC (U4501 pin 1). The PCIC controls the gain of stages U4401 and Q4421 as necessary to hold this voltage constant, thus ensuring the forward power out of the radio to be held to a constant value.

3.5 Antenna Switch

The antenna switch consists of two PIN diodes, D4471 and D4472. In the receive mode, both diodes are off. Signals applied at the antenna jack J4401 are routed, via the harmonic filter, through network L4472, C4474 and C4475, to the receiver input. In the transmit mode, K9V1 turns on Q4471 which enables current sink Q4472, set to 96 mA by R4473 and VR4471. This completes a DC path from PASUPVLTG, through L4437, D4471, L4472, D4472, L4471, R4474 and the current sink, to ground. Both diodes are forward biased into conduction. The transmitter RF from the directional coupler is routed via D4471 to the harmonic filter and antenna jack. D4472 also conducts, shunting RF power and preventing it from reaching the receiver port (RXIN). L4472 is selected to appear as a broadband $\lambda/4$ wave transmission line, making the short circuit presented by D4472 appear as an open circuit at the junction of D4472 and the receiver path.

3.6 Harmonic Filter

Components L4491-L4493 and L4472, C4491, C4496-98 form a Butterworth low-pass filter to attenuate harmonic energy of the transmitter to specifications level. R4491 is used to drain electrostatic charge that might otherwise build up on the antenna. The harmonic filter also prevents high level RF signals above the receiver passband from reaching the receiver circuits, improving spurious response rejection.

3.7 Power Control

The transmitter uses the Power Control IC (PCIC, U4501) to control the power output of the radio. A portion of the forward RF power from the transmitter is sampled by the directional coupler and rectified, to provide a DC voltage to the RFIN port of the PCIC (pin 1) which is proportional to the sampled RF power.

The ASFIC (U0221) has internal digital to analog converters (DACs) which provide a reference voltage of the control loop to the PCIC via R4505. The reference voltage level is programmable through the SPI line of the PCIC. This reference voltage is proportional to the desired power setting of the transmitter, and is factory programmed at several points across the frequency range of the transmitter to offset frequency response variations of the transmitter's power detector circuit.

The PCIC provides a DC output voltage at pin 4 (INT) which sets the drain current of the first (U4401) and second (Q4421) transmitter stage via current control op-amps U3402-1 and U3402-2. This adjusts the transmitter power output to the intended value. Variations in forward transmitter power cause the DC voltage at pin 1 to change, and the PCIC adjusts the control voltage above or below its nominal value to raise or lower output power.

Capacitors C4502-4, in conjunction with resistors and integrators within the PCIC, control the transmitter power-rise (key-up) and power-decay (de-key) characteristic to minimize splatter into adjacent channels.

U4502 is a temperature-sensing device, which monitors the circuit board temperature in the vicinity of the transmitter driver and final devices, and provides a DC voltage to the PCIC (TEMP, pin 30) proportional to temperature. If the DC voltage produced exceeds the set threshold in the PCIC, the transmitter output power will be reduced so as to reduce the transmitter temperature.

4.0 UHF (403-470 MHz) Frequency Synthesis

The synthesizer subsystem consists of the reference oscillator (Y4261 or Y4262), the Low Voltage Fractional-N synthesizer (LVFRAC-N, U4201), and the Voltage Controlled Oscillator VCO.

4.1 Reference Oscillator

The reference oscillator (Y4262) contains a temperature compensated crystal oscillator with a frequency of 16.8 MHz. An Analogue to Digital (A/D) converter internal to U4201 (LVFRAC-N) and controlled by the microprocessor via serial interface (SRL) sets the voltage at the warp output of U4201 pin 25 to set the frequency of the oscillator. The output of the oscillator (pin 3 of Y4262) is applied to pin 23 (XTAL1) of U4201 via a RC series combination.

In applications where less frequency stability is required the oscillator inside U4201 is used along with an external crystal Y4261, varactor diode D4261, C4261, C4262 and R4262. In this case, Y4262, R4263, C4235 and C4251 are not used. When Y4262 is used, Y4261, D4261, C4261, C4262 and R4262 are not used, and C4263 is increased to 0.1 uF.

4.2 Fractional-N Synthesizer

The LVFRAC-N synthesizer IC (U4201) consists of a pre-scaler, a programmable loop divider, control divider logic, a phase detector, a charge pump, an A/D converter for low frequency digital modulation, a balance attenuator to balance the high frequency analogue modulation and low frequency digital modulation, a 13V positive voltage multiplier, a serial interface for control, and finally a super filter for the regulated 5 volts.

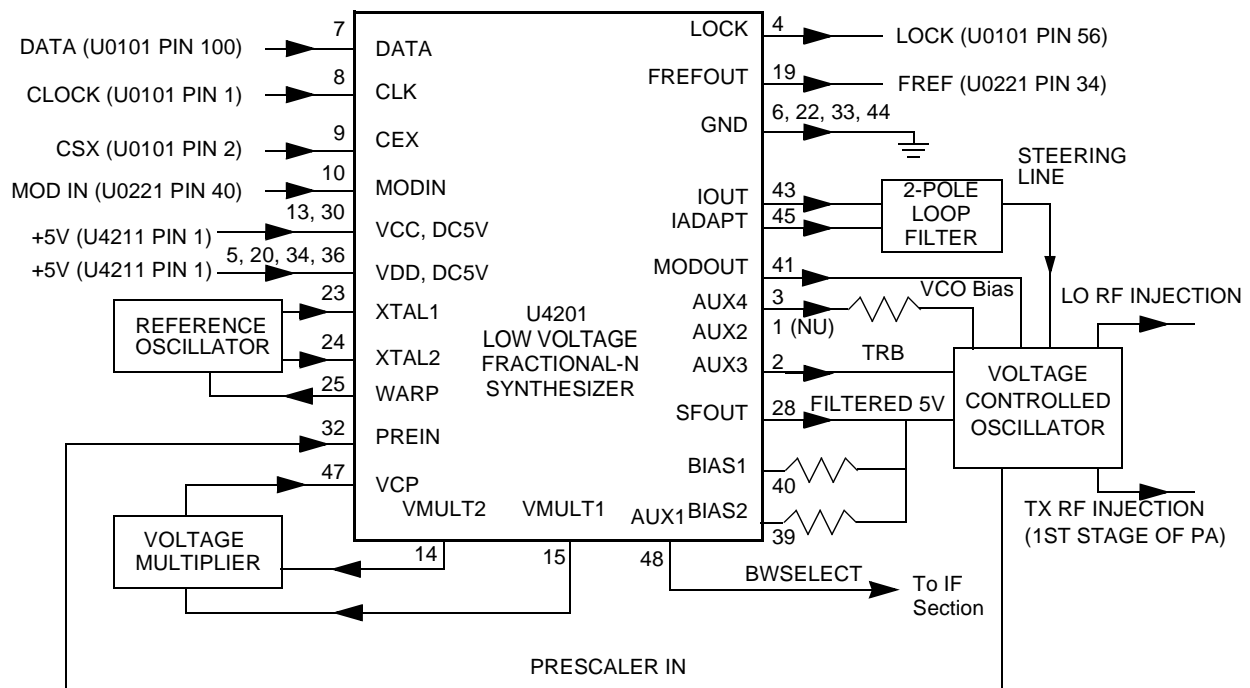


Figure 2-3 UHF Synthesizer Block Diagram

A voltage of 5V applied to the super filter input (U4201 pin 30) supplies an output voltage of 4.5 VDC(VSF) at pin 28. It supplies the VCO, VCO modulation bias circuit (via R4322) and the synthesizer charge pump resistor network (R4251, R4252). The synthesizer supply voltage is provided by the 5V regulator U4211.

In order to generate a high voltage to supply the phase detector (charge pump) output stage at pin 47 VCP (U4201-47), a voltage of 13 VDC is being generated by the positive voltage multiplier circuitry (D4201, C4202, C4203). This voltage multiplier is basically a diode capacitor network driven by two (1.05MHz) 180 degrees out of phase signals (U4201-14 and -15).

Output LOCK (U4201-4) provides information about the lock status of the synthesizer loop. A high level at this output indicates a stable loop. IC U4201 provides the 16.8 MHz reference frequency at pin 19.

The serial interface (SRL) is connected to the microprocessor via the data line DATA (U4201-7), clock line CLK (U4201-8), and chip enable line CSX (U4201-9).

4.3 Voltage Controlled Oscillator (VCO)

The Voltage Controlled Oscillator (VCO) consists of the VCO/Buffer IC (VCOBIC, U4301), the TX and RX tank circuits, the external RX buffer stages, and the modulation circuitry.

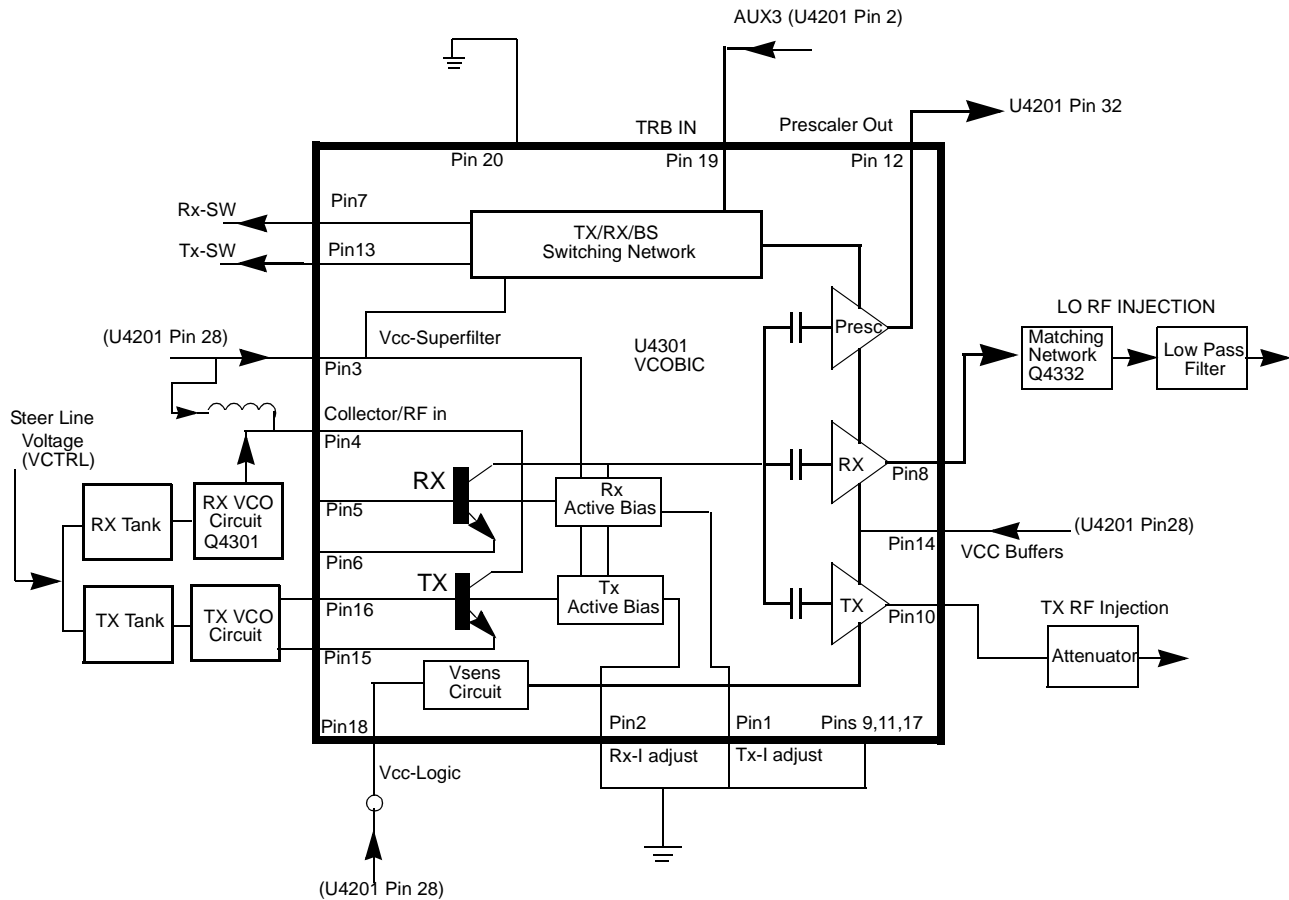


Figure 2-4 UHF VCO Block Diagram

The VCOBIC together with Fractional-N synthesizer (U4201) generates the required frequencies in both transmit and receive modes. The TRB line (U4301 pin 19) determines which tank circuits and internal buffers are to be enabled. A high level on TRB enables TX tank and TX output (pin 10), and a low enables RX tank and RX output (pin 8). A sample of the signal from the enabled output is routed from U4301 pin 12 (PRESC_OUT), via a low pass filter, to pin 32 of U4201 (PREIN).

A steering line voltage (VCTRL) between 3.0V and 10.0V at varactor diode CR4311 will tune the full TX frequency range (TXINJ) from 403 MHz to 470 MHz, and at varactor diodes CR4301, CR4302 and CR4303 will tune the full RX frequency range (RXINJ) from 358 MHz to 425 MHz. The tank circuits use the Hartley configuration for wider bandwidth. For the RX tank circuit, an external transistor Q4301 is used in conjunction with the internal transistor for better side-band noise.

The external RX buffers (Q4332) are enabled by a high at U4201 pin 3 (AUX4) via transistor switch Q4333. In TX mode the modulation signal (VCOMOD) from the LVFRAC-N synthesizer IC (U4201 pin41) is applied modulation circuitry CR4321, R4321, R4322 and C4324, which modulates the TX VCO frequency via coupling capacitor C4321. Varactor CR4321 is biased for linearity from VSF.

4.4 Synthesizer Operation

The complete synthesizer subsystem comprises mainly of low voltage FRAC-N (LVFRACN) IC, Reference Oscillator (crystal oscillator with temperature compensation), charge pump circuitry, loop filter circuitry and DC supply. The output signal PRESC_OUT of the VCOBIC (U4301 pin 12) is fed to pin 32 of U4201 (PREIN) via a low pass filter (C4229, L4225) which attenuates harmonics and provides the correct level to close the synthesizer loop.

The pre-scaler in the synthesizer (U4201) is basically a dual modulus pre-scaler with selectable divider ratios. This divider ratio of the pre-scaler is controlled by the loop divider, which in turn receives its inputs via the SRL. The output of the pre-scaler is applied to the loop divider. The output of the loop divider is connected to the phase detector, which compares the loop divider's output signal with the reference signal. The reference signal is generated by dividing down the signal of the reference oscillator (Y4261 or Y4262).

The output signal of the phase detector is a pulsed DC signal which is routed to the charge pump. The charge pump outputs a current at pin 43 of U4201 (IOUT). The loop filter (which consists of R4221-R4223, C4221-C4225, L4221) transforms this current into a voltage that is applied to the varactor diodes CR4311 for transmit, CR4301, CR4302 & CR4303 for receive and alters the output frequency of the VCO. The current can be set to a value fixed in the LVFRAC-N IC or to a value determined by the currents flowing into BIAS 1 (U4201-40) or BIAS 2 (U4201-39). The currents are set by the value of R4251 or R4252 respectively. The selection of the three different bias sources is done by software programming.

To reduce synthesizer lock time when new frequency data has been loaded into the synthesizer the magnitude of the loop current is increased by enabling the IADAPT (U4201-45) for a certain software programmable time (Adapt Mode). The adapt mode timer is started by a low to high transient of the CSX line. When the synthesizer is within the lock range the current is determined only by the resistors connected to BIAS 1, BIAS 2, or the internal current source. A settled synthesizer loop is indicated by a high level of signal LOCK (U4201-4).

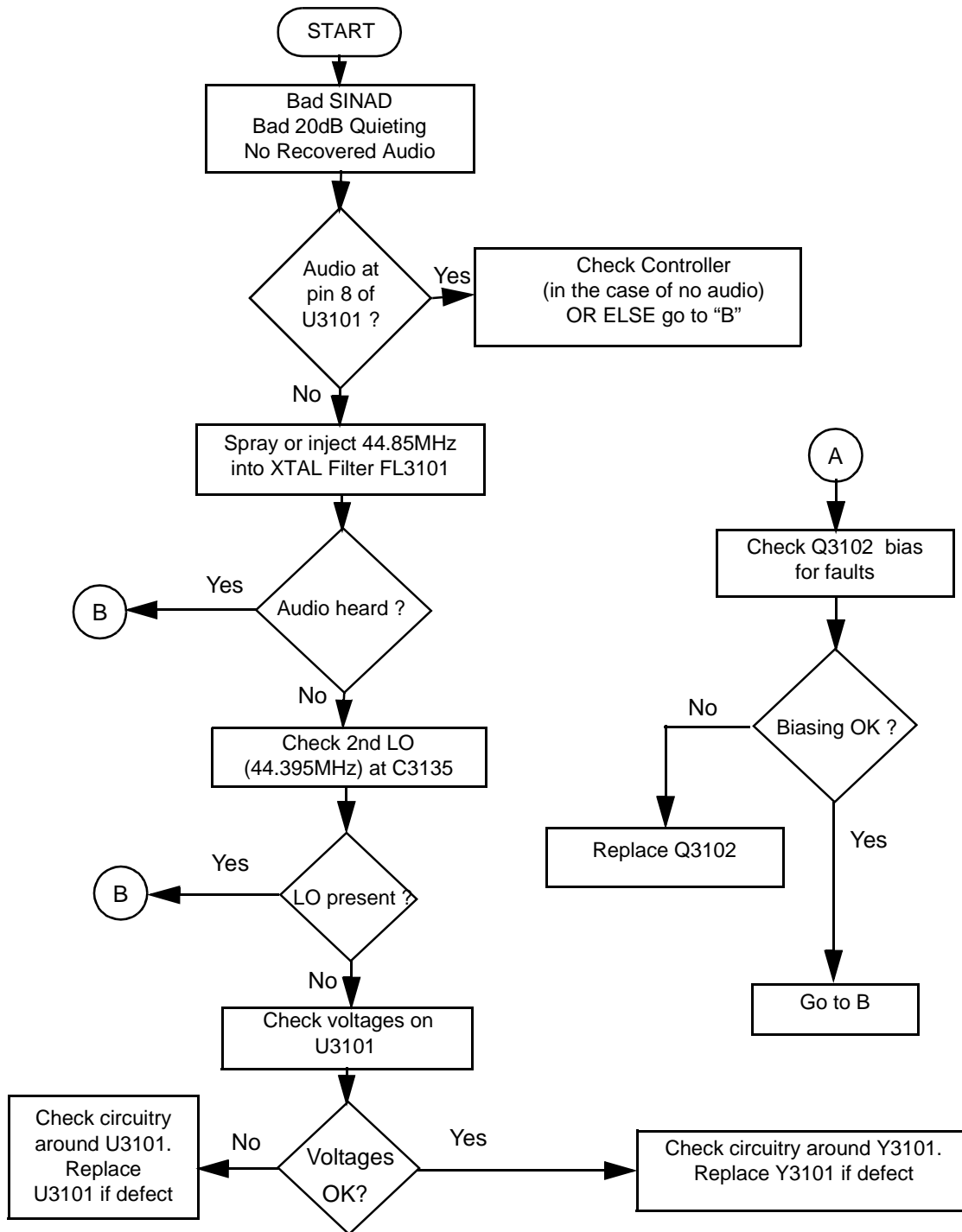
The LOCK (U4201-4) signal is routed to one of the μ P's ADCs input U101-56. From the voltage the μ P determines whether LOCK is active. In order to modulate the PLL the two spot modulation method is utilized. Via pin 10 (MODIN) on U4201 the audio signal is applied to both the A/D converter (low freq path) as well as the balance attenuator (high freq path). The A/D converter converts the low frequency analogue modulating signal into a digital code that is applied to the loop divider, thereby causing the carrier to deviate. The balance attenuator is used to adjust the VCO's deviation sensitivity to high frequency modulating signals. The output of the balance attenuator is present at the MODOUT port (U4201-41) and connected to the VCO modulation diode CR4321 via R4321, C4325.

THIS PAGE INTENTIONALLY LEFT BLANK

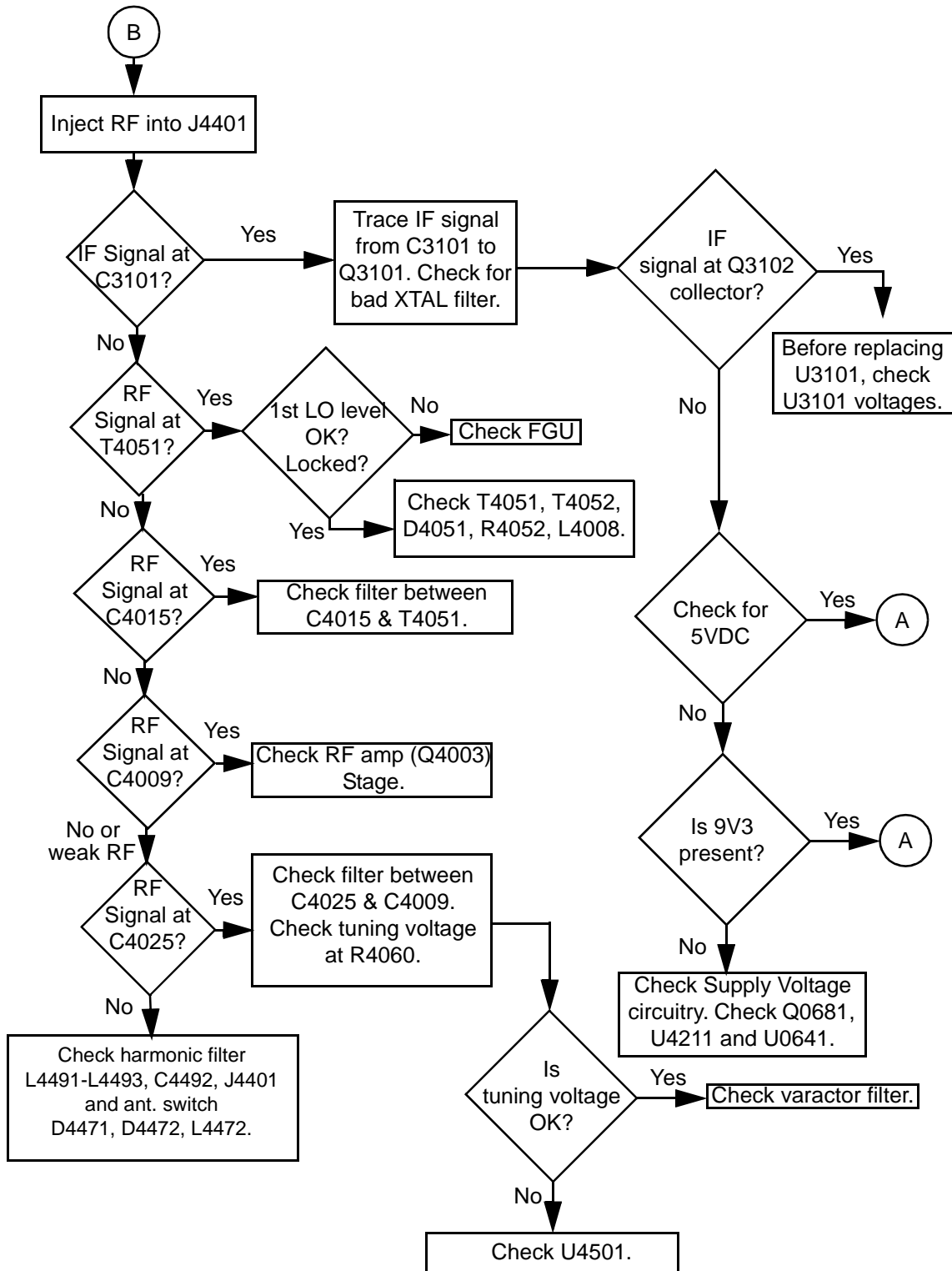
Section 3

TROUBLESHOOTING CHARTS

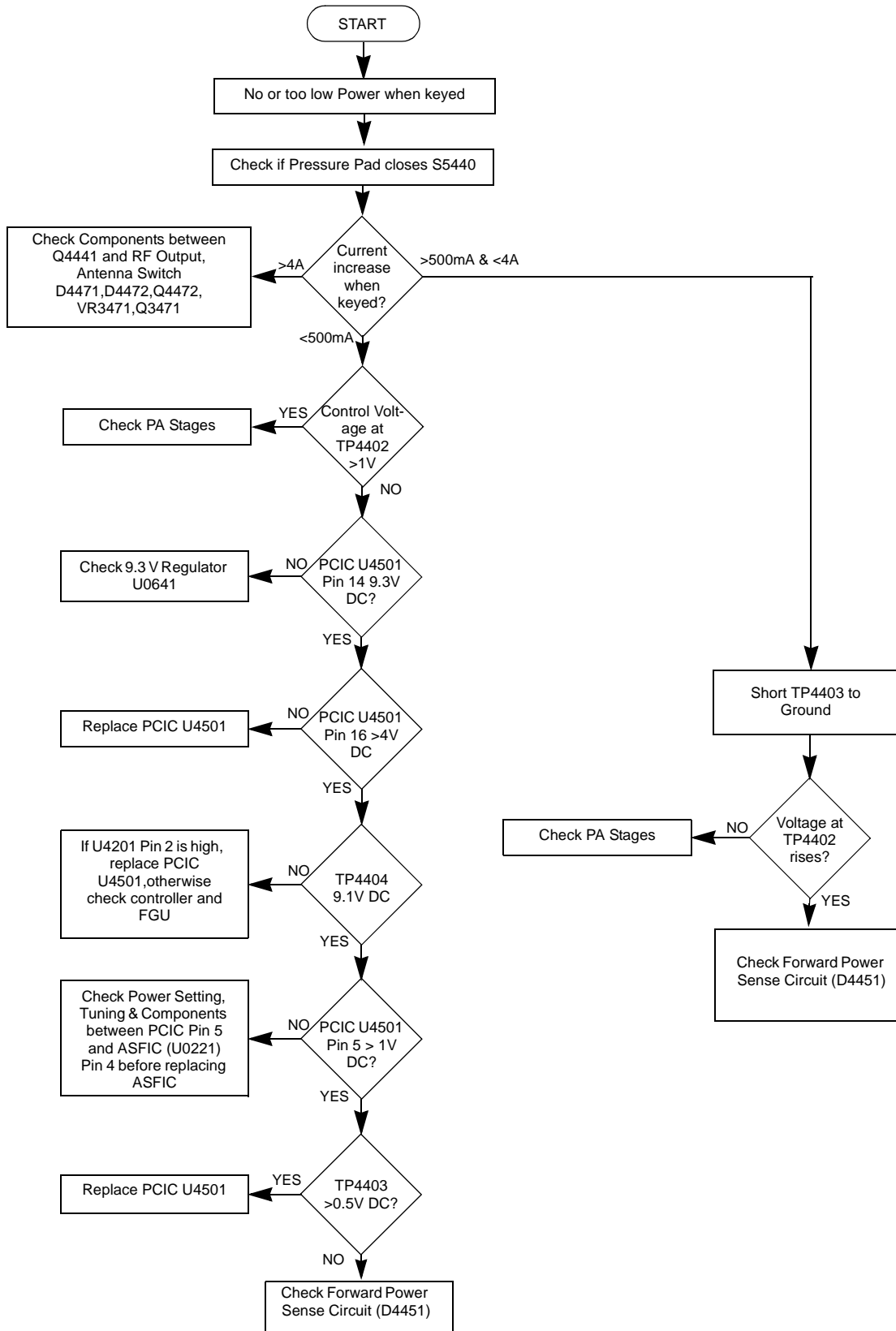
1.0 Troubleshooting Flow Chart for Receiver (Sheet 1 of 2)



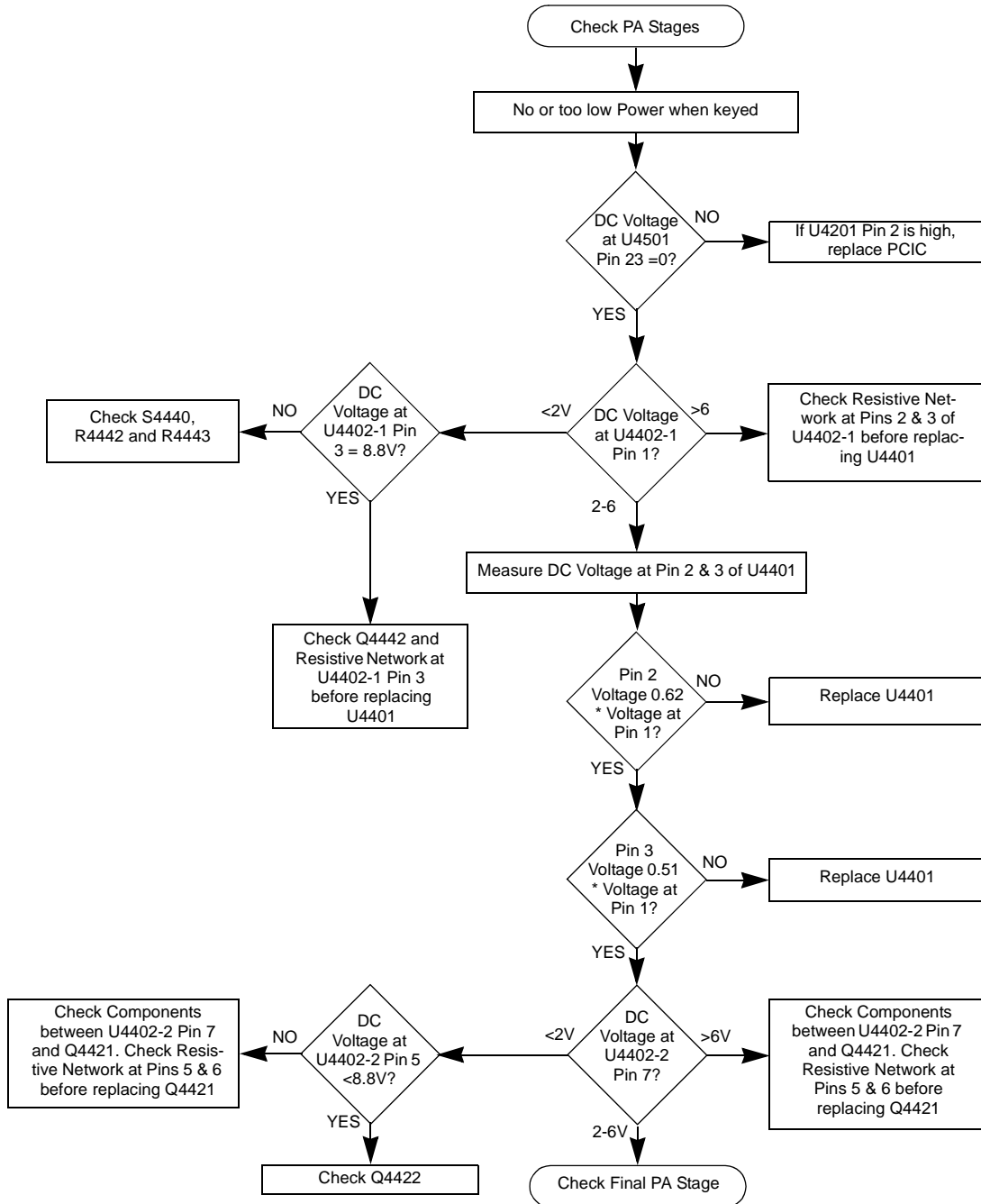
1.1 Troubleshooting Flow Chart for Receiver (Sheet 2 of 2)



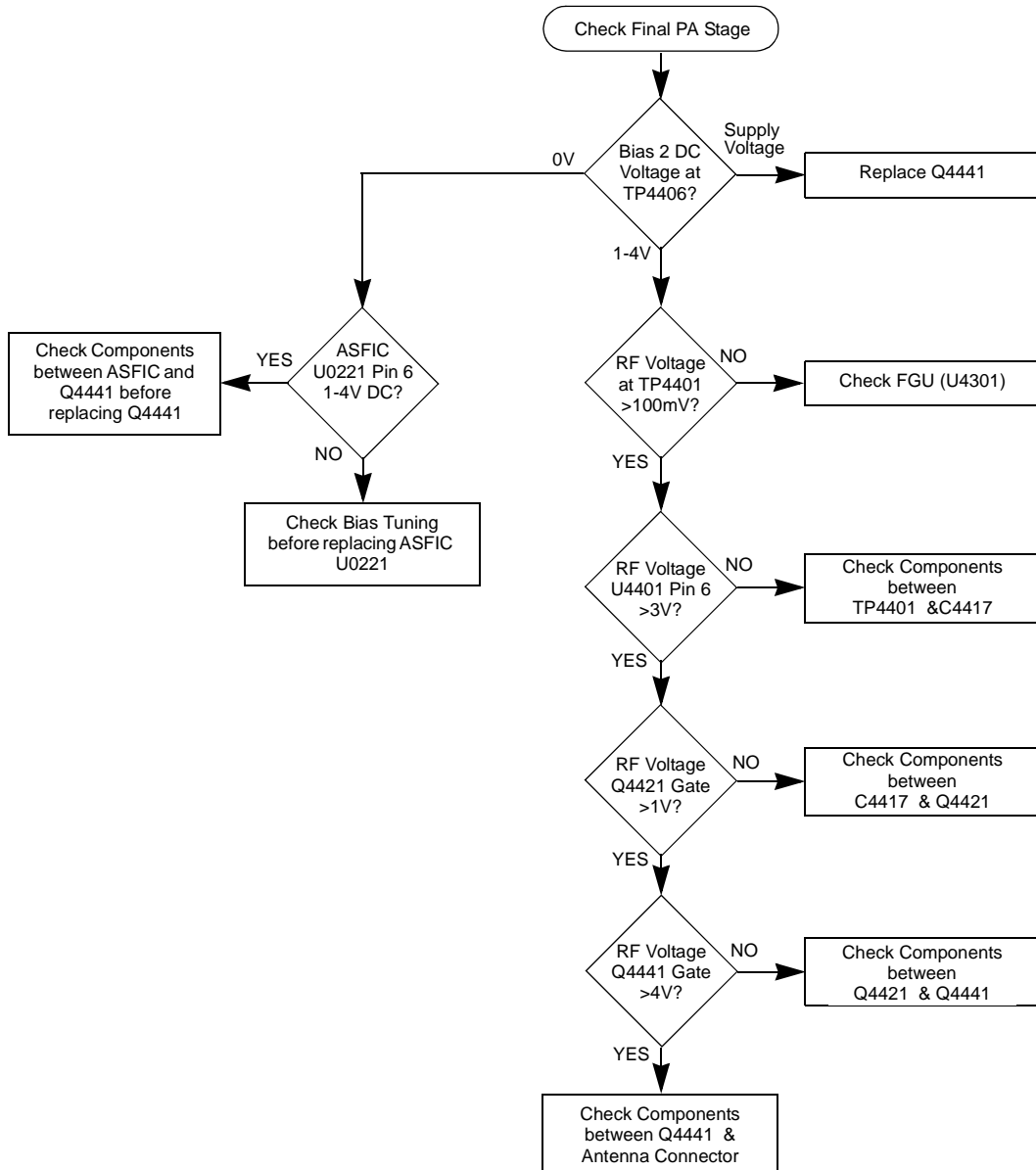
2.0 Troubleshooting Flow Chart for 25W Transmitter (Sheet 1 of 3)



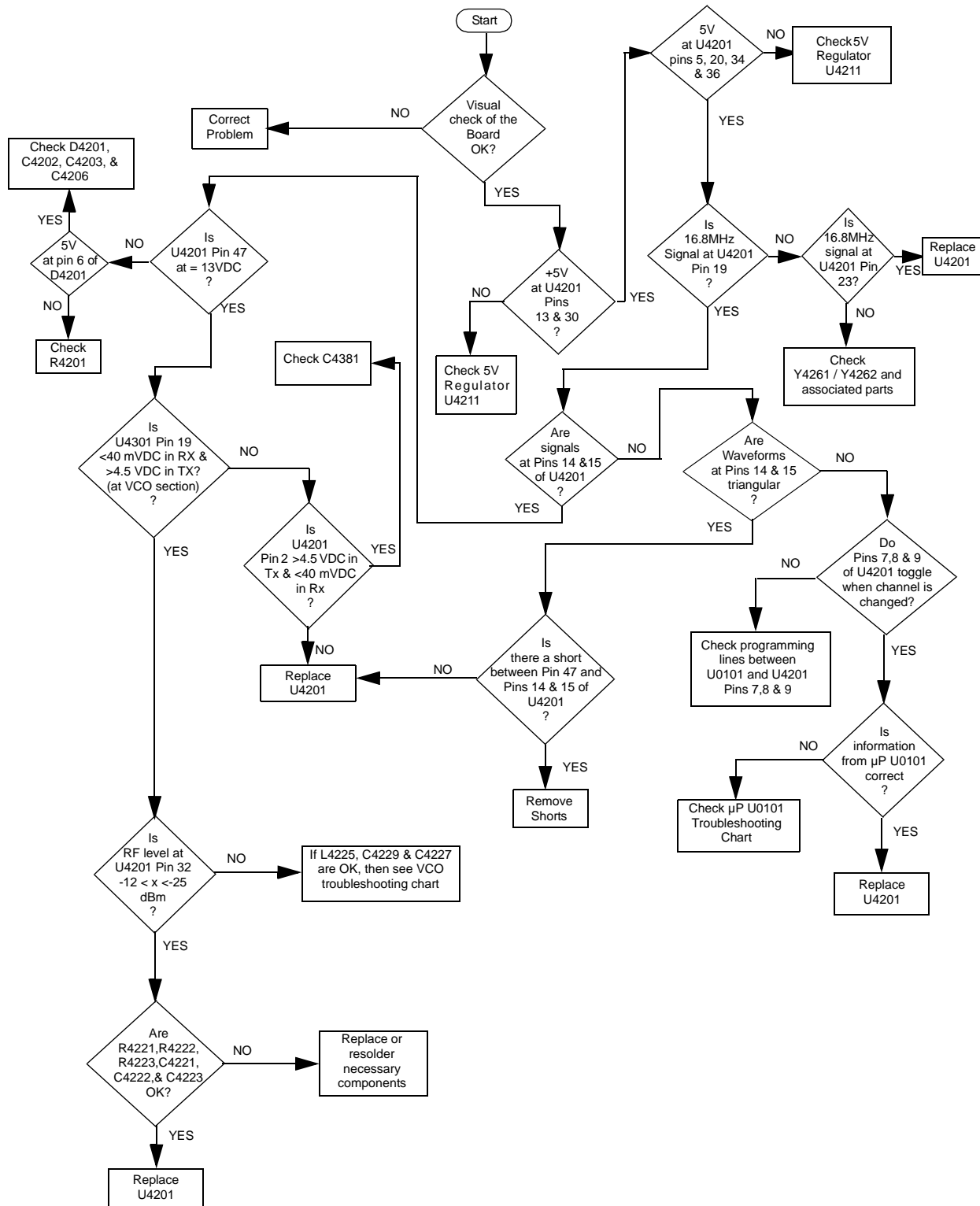
2.1 Troubleshooting Flow Chart for 25W Transmitter (Sheet 2 of 3)



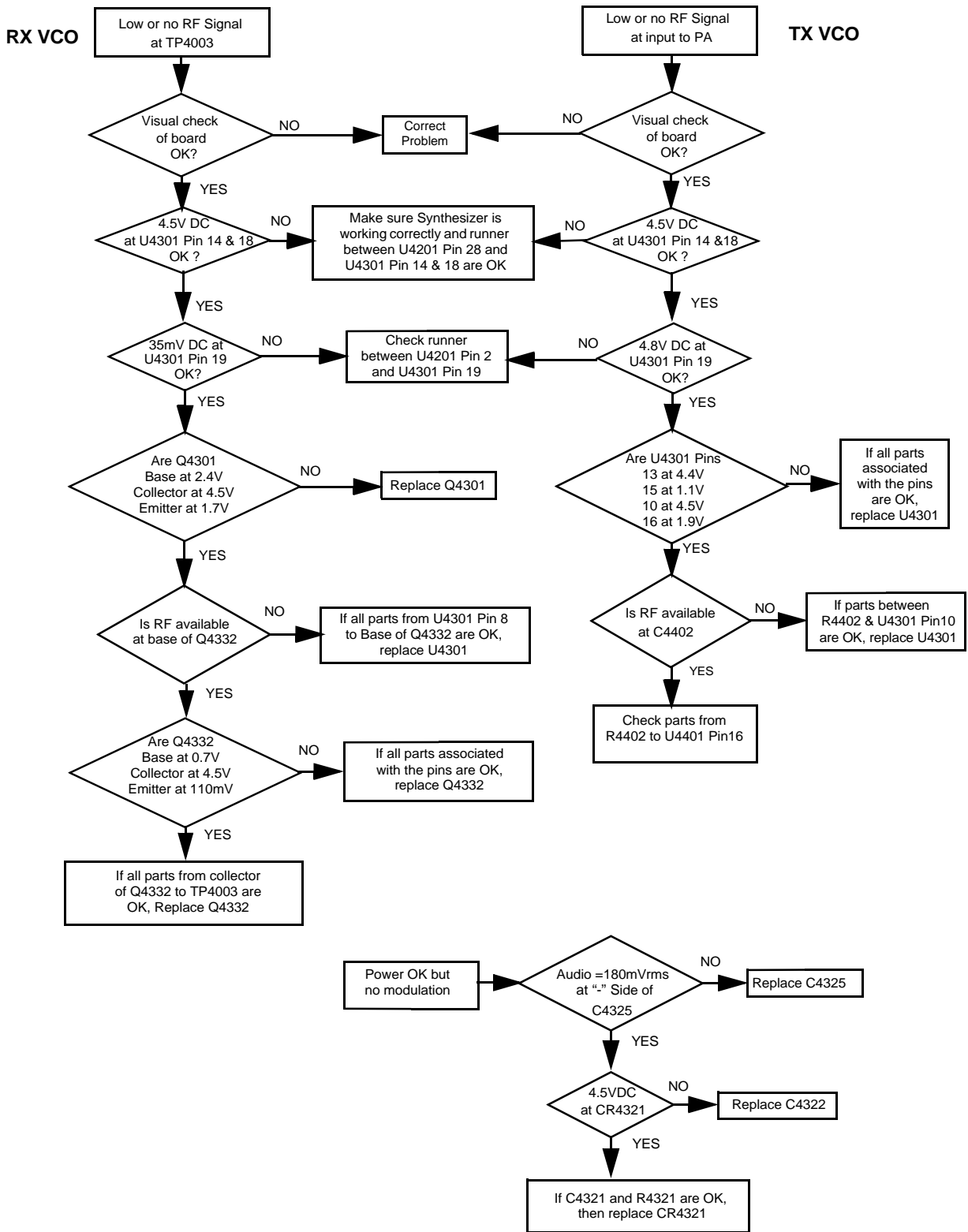
2.2 Troubleshooting Flow Chart for 25W Transmitter (Sheet 3 of 3)



3.0 Troubleshooting Flow Chart for Synthesizer



4.0 Troubleshooting Flow Chart for VCO



THIS PAGE INTENTIONALLY LEFT BLANK

Section 4

UHF PCB/SCHEMATICS/PARTS LISTS

1.0 Allocation of Schematics and Circuit Boards

1.1 Controller Circuits

The UHF circuits are contained on the Printed Circuit Board (PCB) which also contains the Controller circuits. This Chapter shows the schematics for the UHF circuits only, refer to the Controller section for details of the related Controller circuits . The PCB component layouts and the Parts Lists in this Chapter show both the Controller and UHF circuit components. The UHF schematics and the related PCB and parts list are shown in the tables below.

Table 4-1 UHF 1-25W Diagrams and Parts Lists

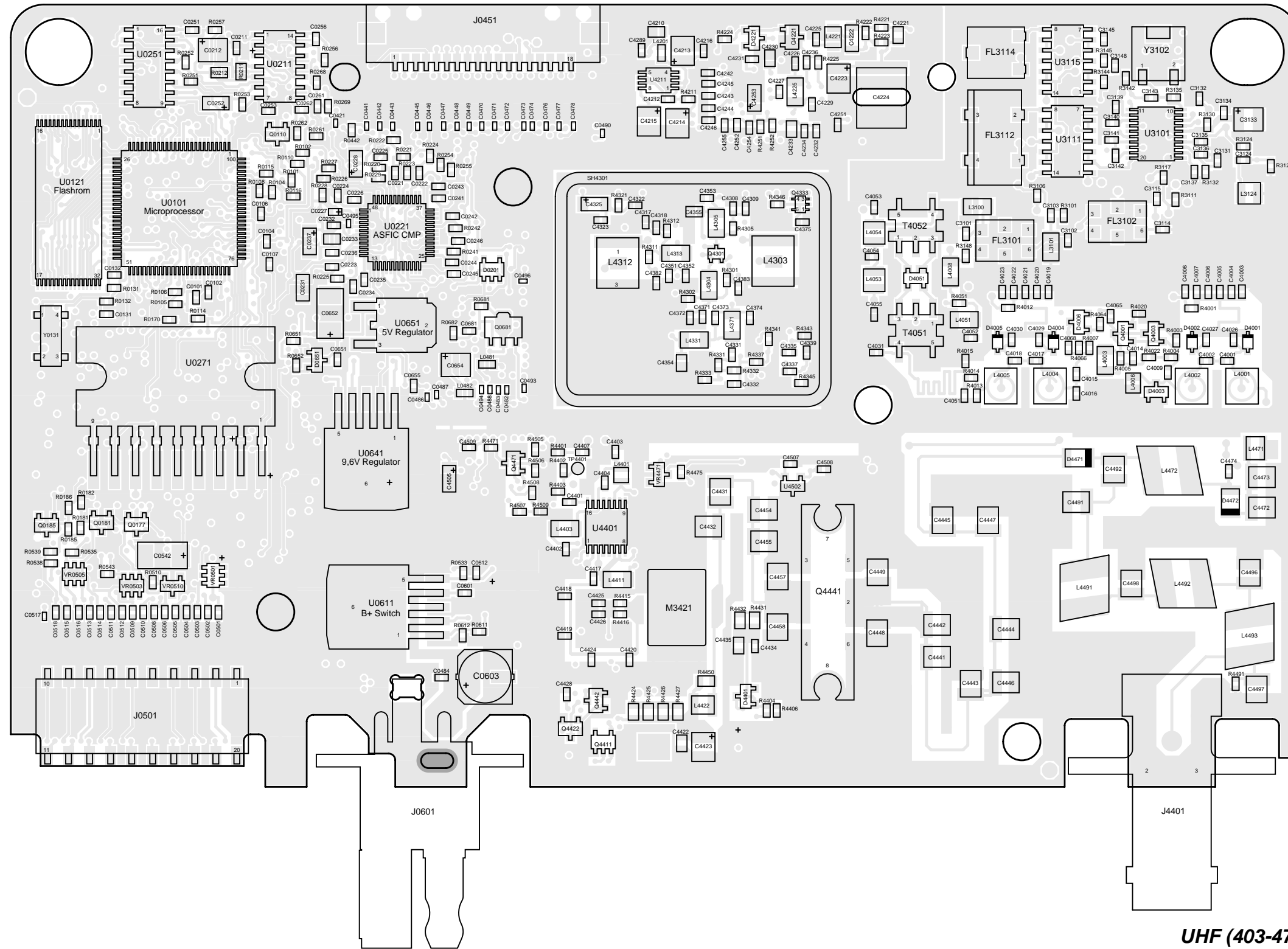
PCB : 8485670z02 Main Board Top Side 8485670z02 Main Board Bottom Side	Page 4-3 Page 4-4
SCHEMATICS Power Amplifier 1 - 25W FRACN Voltage Controlled Oscillator Receiver Front End IF	Page 4-5 Page 4-6 Page 4-7 Page 4-8 Page 4-9
Parts List 8485670z02	Page 4-10

Table 4-2 UHF 1-25W Diagrams and Parts Lists

PCB : 8485670Z03 Main Board Top Side 8485670Z03 Main Board Bottom Side	Page 4-13 Page 4-14
SCHEMATICS Power Amplifier 1 - 25W FRACN Voltage Controlled Oscillator Receiver Front End IF	Page 4-15 Page 4-16 Page 4-17 Page 4-18 Page 4-19
Parts List 8485670Z03	Page 4-20

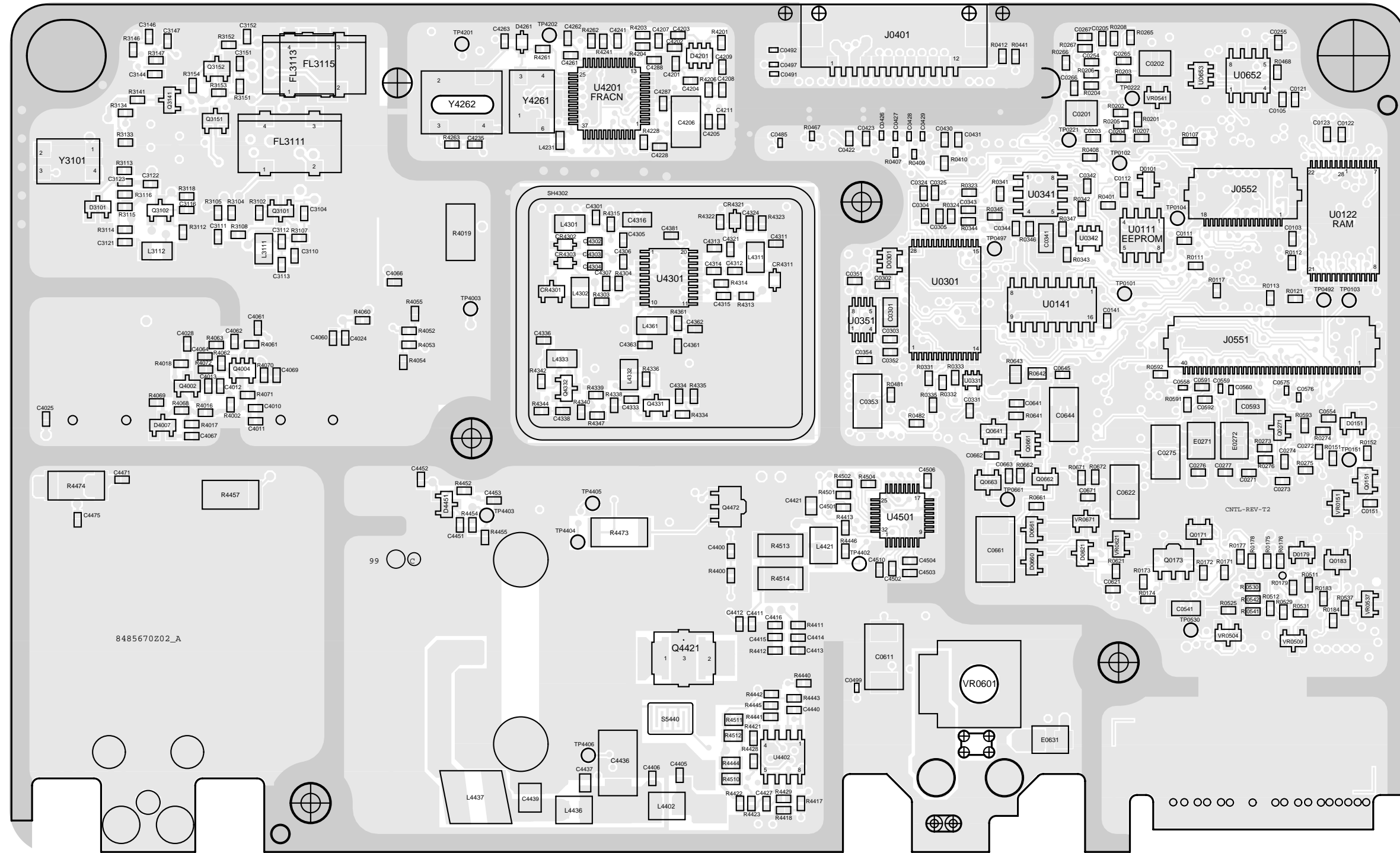
THIS PAGE INTENTIONALLY LEFT BLANK

2.0 UHF 1-25W PCBs / Schematics / Parts Lists



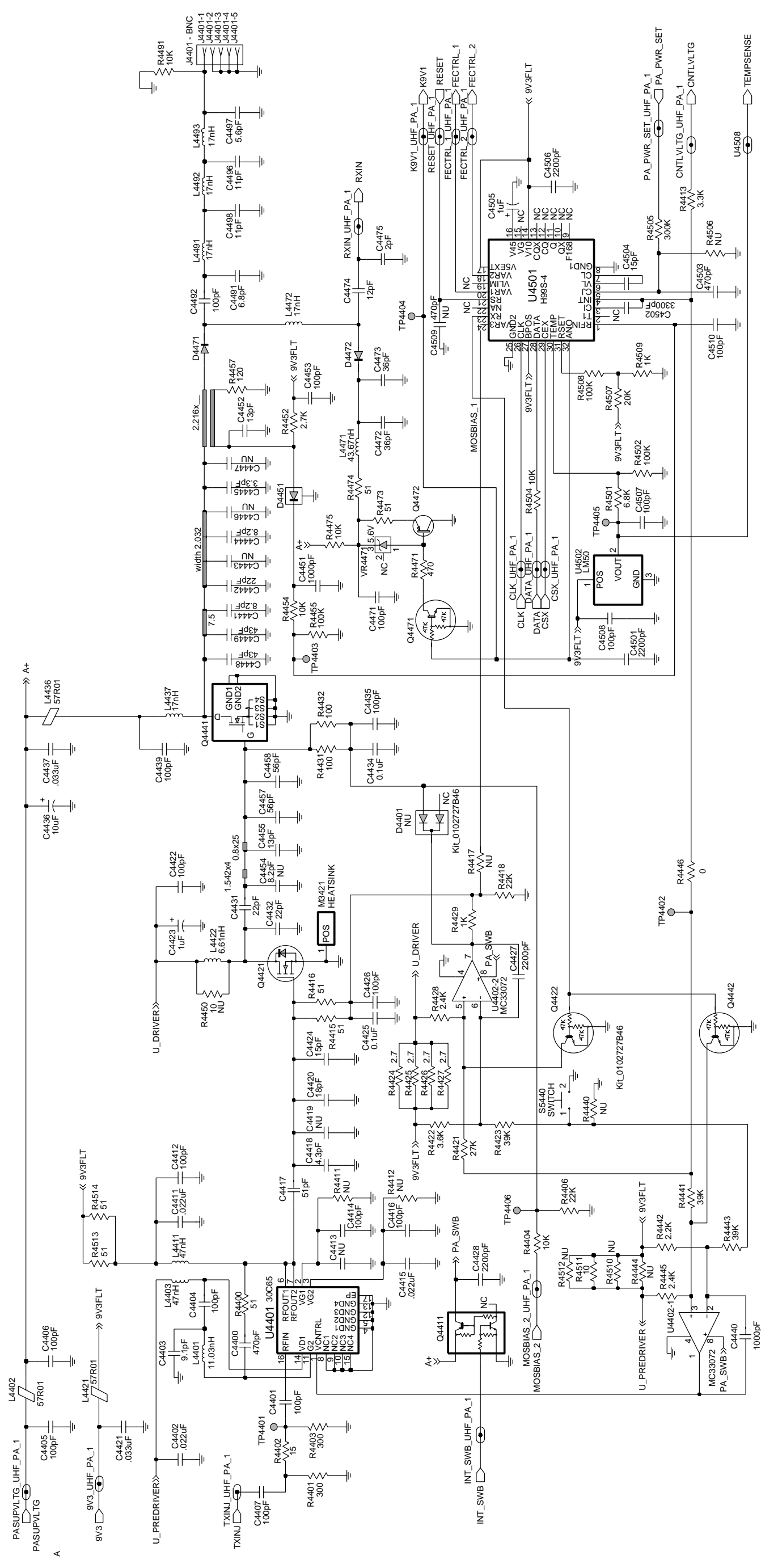
ZWG0130518-A

UHF (403-470 MHz) 1-25W 8485670Z02 Top Side

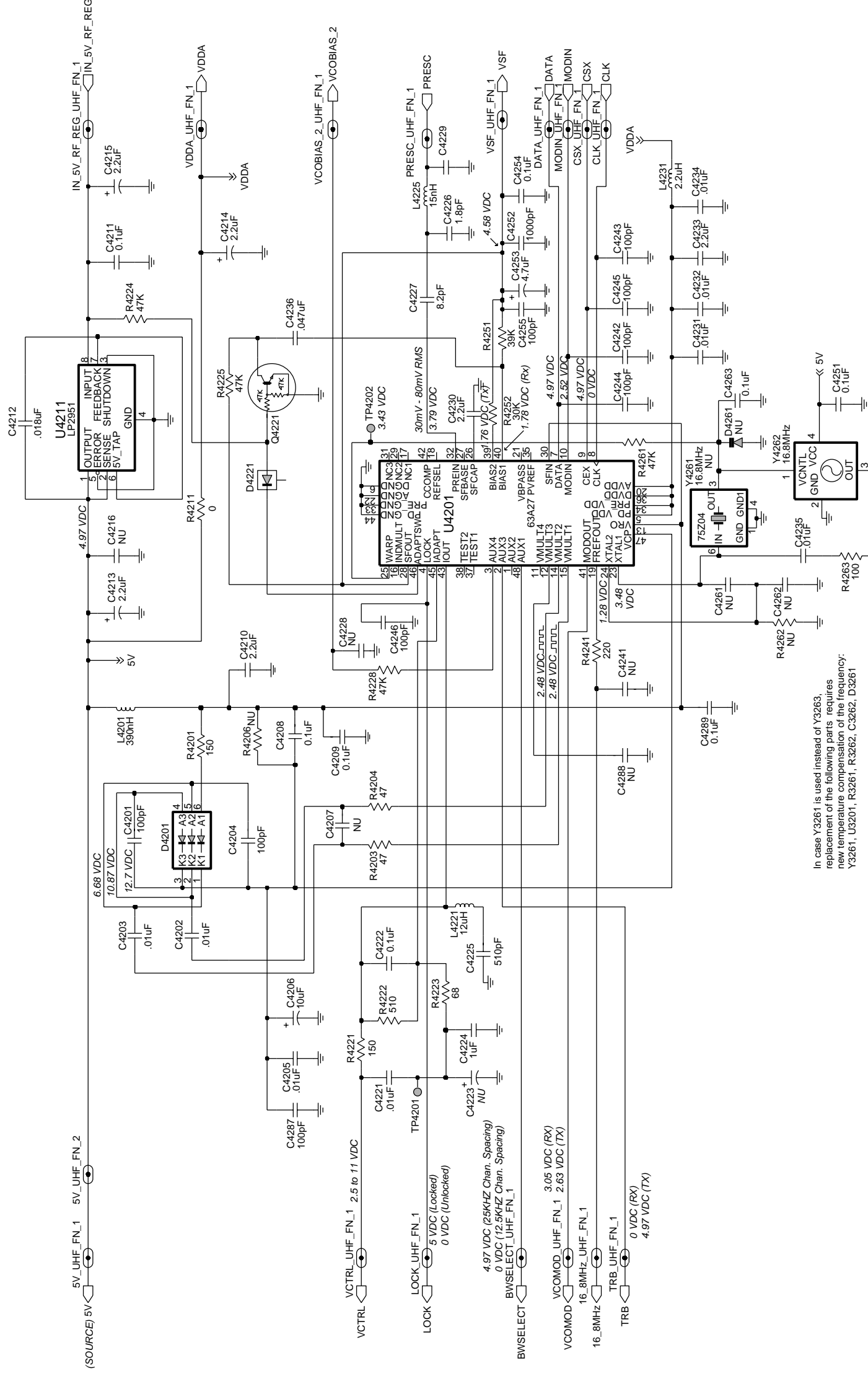


ZWG0130519-A

UHF (403-470 MHz) 1-25W 8485670Z02 Bottom Side



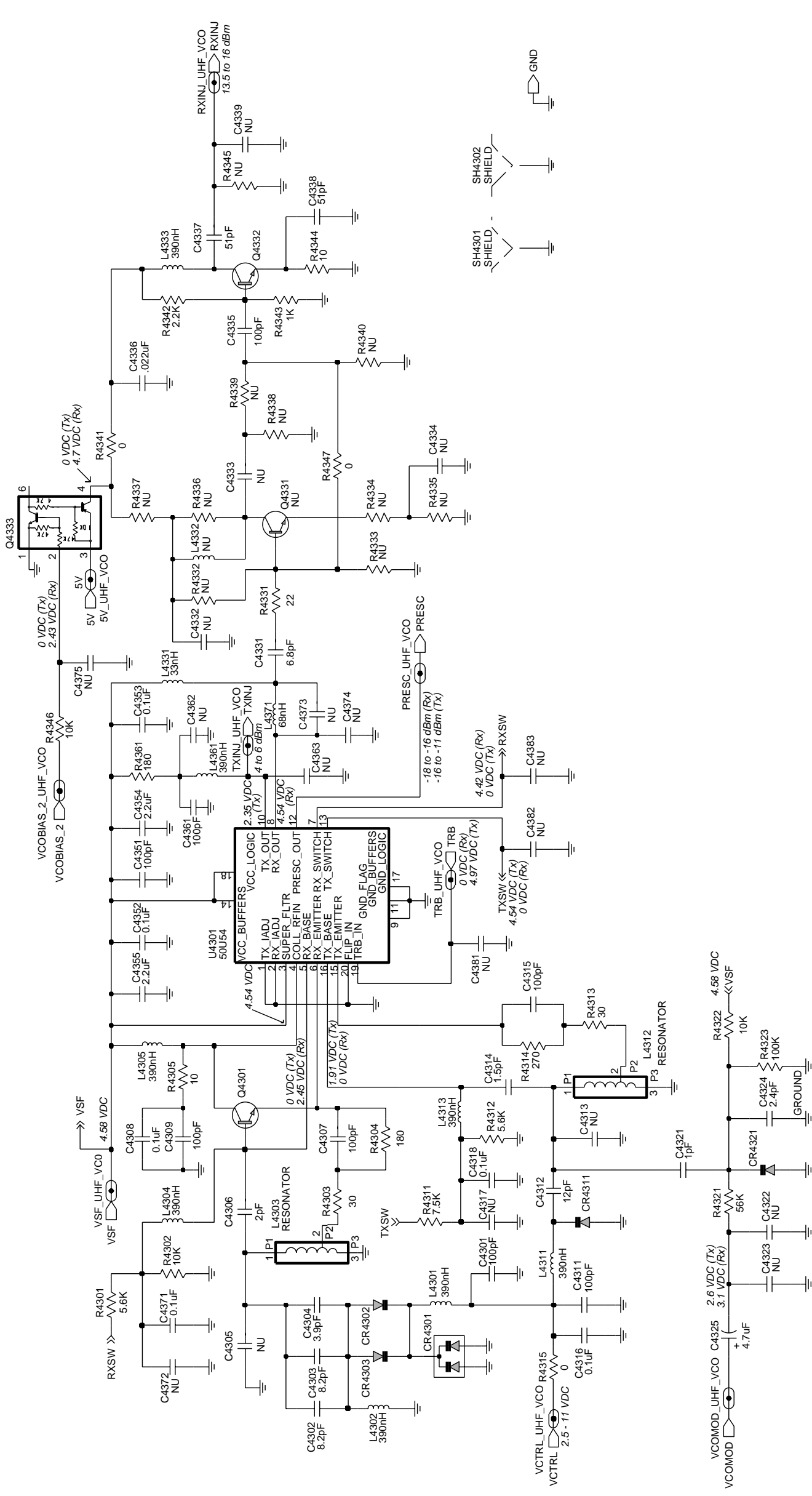
UHF (403-470 MHz) Power Amplifier 1 - 25W



In case Y3261 is used instead of Y3263, replacement of the following parts requires new temperature compensation of the frequency: Y3261, U3201, R3261, R3262, C3262, D3261

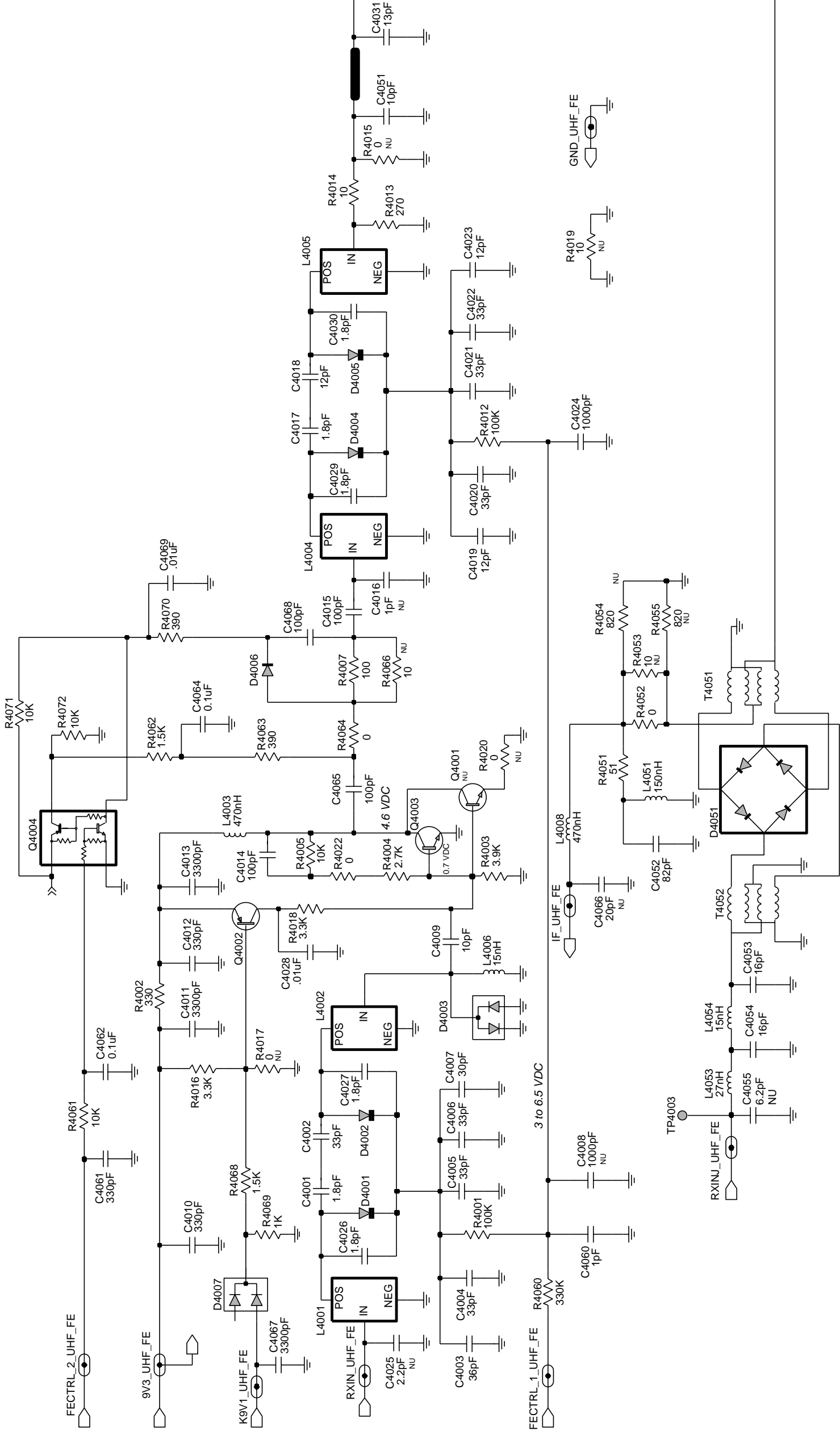
ZWG0130521-B

HF (403-470 MHz) FRACN



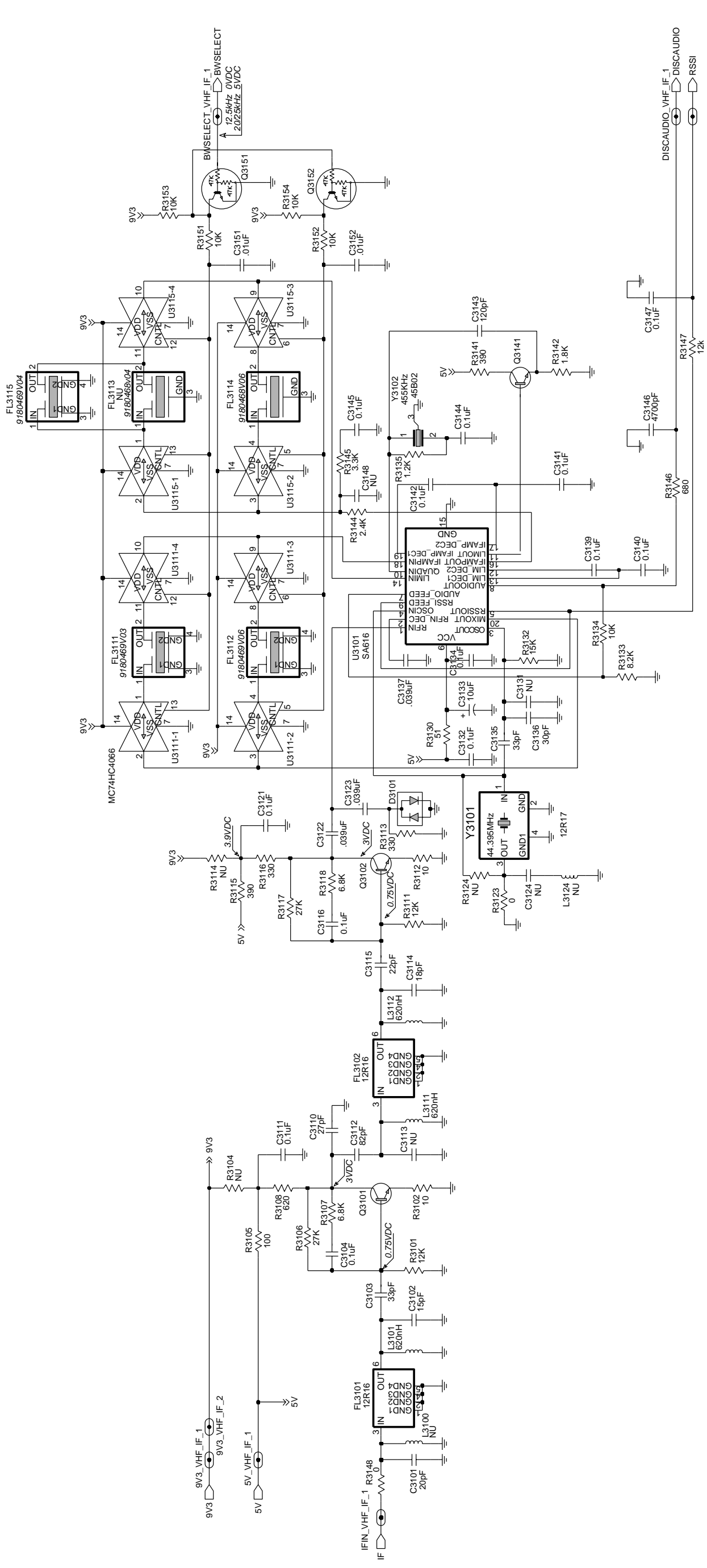
ZWVG0130523-A

UHF (403-470 MHz) Voltage Controlled Oscillator



ZWG0130524-B

UHF (403-470 MHz) Receiver Front End



ZWG0130522-A

UHF (403-470 MHz) IF

UHF PCB 8485670Z02 Parts List 1-25W

Circuit Ref	Motorola Part No.	Description
C3000	2113741F37	3.3nF 50V
C3001	2113740F19	4.7pF 5%
C3002	2113740F26	9.1pF 5%
C3003	2113741F37	3.3nF 50V
C3004	2113740F45	56pF 5%
C3005	2113740F51	100pF 5%
C3006	2113740F45	56pF 5%
C3007	2113741F37	3.3nF 50V
C3008	2113741F25	1nF 50V
C3009	2113741F13	330pF 50V
C3010	2113741F13	330pF 50V
C3011	2113741F37	3.3nF 50V
C3012	2113741F25	1nF 50V
C3013	2113740F45	56pF 5%
C3014	2113740F24	7.5pF 5%
C3015	2113740F45	56pF 5%
C3016	2113740F51	100pF 5% 50V
C3017	2113740F42	43pF 5% 50V
C3019	2113741F25	1nF 50V
C3020	2113741F25	1nF 50V
C3021	2113740F53	120pF 5% 50V
C3022	2113741F49	10nF 50V
C3026	2113743E20	100nF 16V
C3027	2113741F49	10nF 50V
C3028	2113741F49	10nF 50V
C3030	2113741F25	1nF 50V
C3033	2113740F20	5.1pF 5% 50V
C3034	2113740F49	82pF 5% 50V
C3035	2113740F33	18pF 5% 50V
C3036	2113741F25	1nF 50V
C3100	2113741F25	1nF 50V
C3102	2113740F31	15pF 5% 50V
C3103	2113740F39	33pF 5% 50V
C3104	2113743E20	100nF 16V
C3110	2113740F37	27pF 5% 50V
C3111	2113743E20	100nF 16V
C3112	2113740F49	82pF 5% 50V
C3114	2113740F33	18pF 5% 50V
C3115	2113740F35	22pF 5% 50V
C3116	2113743E20	100nF 16V
C3121	2113743E20	100nF 16V
C3122	2113743E11	39nF 10%
C3123	2113743E11	39nF 10%
C3132	2113743E20	100nF 16V
C3133	2311049A57	TANT CP 10uF 10% 16V
C3134	2113743E20	100nF 16V
C3135	2113740L30	33pF 2%
C3136	2113740L29	30pF 2%
C3137	2113743E11	39nF 10%
C3139	2113743E20	100nF 16V

Circuit Ref	Motorola Part No.	Description
C3316	2113740F15	3.3pF 5% 50V
C3317	2113740F39	33pF 5% 50V
C3318	2113740F21	5.6pF 5% 50V
C3319	2113741F25	1nF 50V
C3324	2113741F49	10nF 50V
C3332	2113743E20	100nF 16V
C3333	2113743E20	100nF 16V
C3334	2113743E07	22nF 16V
C3335	2113741F49	10nF 50V
C3336	2113741F49	10nF 50V
C3337	2113743E20	100nF 16V
C3341	2113741F25	1nF 50V
C3342	2113740L05	3.0pF +0.1pF
C3344	2113740F09	1.8pF 5% 50V
C3345	2113740L25	20pF +-0.25pF
C3346	2113741F49	10nF 50V
C3347	2113741F49	10nF 50V
C3348	2113741F49	10nF 50V
C3351	2113741F49	10nF 50V
C3352	2113743E07	22nF 16V
C3355	2113741F49	10nF 50V
C3356	2113743E07	22nF 16V
C3357	2113740F24	7.5pF 5% 50V
C3361	2113741F25	1nF 50V
C3362	2113740F21	5.6pF 5% 50V
C3363	2113740F47	68pF 5% 50V
C3364	2113740F31	15pF 5% 50V
C3365	2113741F25	1nF 50V
C3400	2113740F63	330pF 5% 50V
C3401	2113740F63	330pF 5% 50V
C3402	2113743E07	22nF 16V
C3403	2113740F39	33pF 5% 50V
C3404	2113740F39	33pF 5% 50V
C3405	2113740F67	470pF 5% 50V
C3406	2113740F67	470pF 5% 50V
C3410	2113743E07	22nF 16V
C3411	2113743E07	22nF 16V
C3412	2113740F63	330pF 5% 50V
C3414	2113740F63	330pF 5% 50V
C3415	2113743E07	22nF 16V
C3416	2113740F63	330pF 5% 50V
C3417	2113740F43	47pF 5% 50V
C3418	2113740F39	33pF 5% 50V
C3419	2113740F57	180pF 5% 50V
C3420	2113740F57	180pF 5% 50V
C3421	2113741A57	33nF 50V
C3422	2113740A67	330pF 5% 50V
C3423	2311049A08	TANT CP 1uF 10% 35V
C3424	2113740F67	470pF 5% 50V
C3425	2113743E07	22nF 16V
C3426	2113740F63	330pF 5% 50V

Circuit Ref	Motorola Part No.	Description
C3427	2113741F33	2.2nF 50V
C3428	2113741F33	2.2nF 50V
C3431	2111078B34	HQ 47pF 5%
C3433	2111078B36	HQ 56pF 5%
C3434	2113741A45	10nF 50V
C3435	2113740A67	330pF 5% 50V
C3436	2311049A45	TANT CP 10uF 10% 35V
C3437	2113741A57	33nF 50V
C3438	2111078B59	HQ 470pF 5%
C3439	2111078B59	HQ 470pF 5%
C3440	2113741F25	1nF 50V
C3441	2111078B47	HQ 150pF 5%
C3442	2111078B47	HQ 150pF 5%
C3445	2111078B21	HQ 20pF 5%
C3446	2111078B42	HQ 100pF 5%
C3447	2111078B19	HQ 16pF 5%
C3448	2111078B44	HQ 120pF 5%
C3449	2111078B44	HQ 120pF 5%
C3450	2113740F67	470pF 5% 50V
C3451	2113741F25	1nF 50V
C3452	2113740F29	12pF 5% 50V
C3453	2113740F67	470pF 5% 50V
C3471	2113743E07	22nF 16V
C3472	2111078B53	HQ 270pF 5%
C3473	2111078B53	HQ 270pF 5%
C3474	2113740F59	220pF 5% 50V
C3475	2113740F23	6.8pF 5% 50V
C3491	2111078B18	HQ 15pF 5%
C3492	2111078B38	HQ 68pF 5%
C3493	2111078B09	HQ 6.8pF 5%
C3494	2111078B16	HQ 13pF 5%
C3495	2111078B01	HQ 3.3pF 5%
C3496	2111078B31	HQ 36pF 5%
C3498	2111078B16	HQ 13pF 5%
C3499	2111078B19	HQ 16pF 5%
C3501	2113741F33	2.2nF 50V
C3502	2113741F33	2.2nF 50V
C3503	2113740F67	470pF 5% 50V
C3504	2113741F49	10nF 50V
C3505	2311049A07	TANT CP 1uF 10% 16V
C3506	2113741F33	2.2nF 50V X7R
C3507	2113740F51	100pF 5% 50V
C3508	2113740F67	470pF 5% 50V
C3510	2113740F67	470pF 5% 50V
D3000	4813833C02	DUAL SOT MMBD6100
D3001	4805649Q13	VCTR 1SV228 SOT23
D3003	4880154K03	DUAL SCHOTTKY SOT23
D3004	4805649Q13	VCTR 1SV228 SOT23
D3011	4880142L01	PIN
D3031	4886143B01	MIXER DIODE CROSSOVER
D3101	4880154K03	DIODE DUAL SCHOTTKY

Circuit Ref	Motorola Part No.	Description
D3201	4802233J09	TRIPLE SOT143-RH
D3221	4880236E05	CHIP SCHOTTKY
D3341	4805649Q13	VCTR 1SV228 SOT23
D3361	4805649Q13	VCTR 1SV228 SOT23
D3362	4862824C01	VARACTOR CHIP
D3401	4813833C02	DUAL SOT MMBD6100
D3451	4880236E05	CHIP SCHOTTKY
D3471	4802482J02	PIN MA/COM
D3472	4802482J02	PIN MA/COM
FL3101	9180112R16	44.85 MHZ XTAL FLTR 80dB
FL3102	9180112R16	44.85 MHZ XSTAL FLTR 80dB
FL3111	9180469V03	CER FLTR 6EL 455 KHZ SMD
FL3112	9180469V06	CER FLTR 6EL 455 KHZ SMD
FL3113	9180468V04	CER FLTR 4EL 455 KHZ SMD
FL3114	9180468V06	CER FLTR 4EL 455 KHZ SMD
J3401	0986166B02	RF CONN MINI UHF
L3002	2462587T23	COIL CHIP 470nH
L3031	2462587T24	COIL CHIP 560nH
L3032	2462587T17	COIL CHIP 150nH
L3101	2462587T25	COIL CHIP 620nH
L3111	2462587T25	COIL CHIP 620nH
L3112	2462587T25	COIL CHIP 620nH
L3201	2462587Q42	IND CHIP 390nH 10%
L3231	2462587Q20	IND CHIP 2.2uH 20%
L3301	2462587N44	CHIP IND 18 NH 5%
L3302	2462587N53	CHIP IND 100 nH 5%
L3317	2462587V28	CHIP IND 33 NH 5%
L3318	2462587V34	IND CHIP 100nH 5%
L3331	2462587V32	CHIP IND 68NH 5%
L3332	2462587V15	IND CHIP 100nH 10%
L3333	2462587Q47	IND CHIP 1uH 10%
L3341	2484562T13	MINI-SPRING AW IND 8NH2%
L3343	2462587N56	COIL CHIP 180nH 5%
L3344	2462587N68	CHIP IND 1 uH 5%
L3345	2462587N68	CHIP IND 1 uH 5%
L3346	2484562T18	MINI-SPRING AW IND 35.5NH 2%
L3351	2462587N68	CHIP IND 1 uH 5%
L3361	2462587N50	CHIP IND 56 nH 5%
L3362	2462587N51	CHIP IND 68 nH 5%
L3363	2462587N50	CHIP IND 56 nH 5%
L3364	2462587N68	CHIP IND 1 uH 5%
L3401	2460591A01	SQUARE COIL 4.22nH 3T
L3402	2484657R01	Ferrite Bead
L3403	2462587T13	COIL CHIP 68nH
L3411	2462587T13	COIL CHIP 68nH
L3412	2462587X43	IND CHIP LO-PRO 15.0
L3413	2460591B04	SQUARE COIL 11.03nH 4T
L3414	2460591A11	SQUARE COIL 7.66nH 3T
L3421	2484657R01	Ferrite Bead
L3422	2460591C23	SQUARE COIL 16nH 3T

Circuit Ref	Motorola Part No.	Description
L3436	2484657R01	Ferrite Bead
L3437	2460592A01	COIL AW 17nH 2T
L3443	2460591X02	COIL SQUARE 25nH
L3471	2462587X69	IND CHIP 1.2uH 5%
L3472	2460592B01	COIL AW 51nH 4T
L3491	2460592B01	COIL AW 51nH 4T
L3492	2460592B01	COIL AW 51nH 4T
L3493	2460592B01	COIL AW 51nH 4T
M3421	2686201B01	HEAT SPREADER
Q3001	4813827A07	TSTR NPN SML SIG MMBR9
Q3002	4813824A17	TSTR PNP 40V .2A B=100-
Q3021	4805921T02	TSTR DUAL ROHM FMC2
Q3101	4813827A07	TSTR NPN SML SIG MMBR9
Q3102	4813827A07	TSTR NPN SML SIG MMBR9
Q3141	4813824A10	TSTR NPN 40V .2A B=50-150
Q3151	4880048M01	TSTR NPN DIG 47k/47k
Q3152	4880048M01	TSTR NPN DIG 47k/47k
Q3221	4880048M01	TSTR NPN DIG 47k/47k
Q3301	4813827A07	TSTR NPN SML SIG MMBR9
Q3303	4802245J50	TSTR DUAL NPN/PNP UMC5N
Q3304	4805218N63	RF TRANS SOT 323 BFG67W
Q3411	4805921T02	DUAL ROHM FMC2 RH
Q3421	4802245J55	MRF1507
Q3422	4880048M01	NPN DIG 47k/47k
Q3441	4886136B01	LD MOS PWR TSTR MRF1565
Q3442	4880048M01	MRF1550
Q3471	4880048M01	NPN DIG 47k/47k
Q3472	4805128M27	PNP SOT89 BSR33 LH
R3000	0662057A53	1k5 1/16W 5%
R3001	0662057A97	100k 1/16W
R3002	0662057A43	560 1/16W 5%
R3003	0662057A49	1k 1/16W 5%
R3004	0662057A53	1k5 1/16W 5%
R3006	0662057A73	10k 1/16W 5%
R3009	0662057A97	100k 1/16W
R3010	0662057A45	680 OHMS 5%
R3011	0662057A65	4k7 1/16W 5%
R3012	0662057A49	1k 1/16W 5%
R3013	0662057A61	3k3 1/16W 5%
R3014	0662057A18	51 1/16W 5%
R3015	0662057A01	10 1/16W 5%
R3016	0662057A01	10 1/16W 5%
R3018	0662057A33	220 1/16W 5%
R3019	0662057A89	47k 1/16W 5%
R3021	0662057A43	560 1/16W 5%
R3024	0662057A39	390 1/16W 5%
R3025	0662057A53	1k5 1/16W 5%
R3026	0662057A73	10k 1/16W 5%
R3027	0662057A73	10k 1/16W 5%
R3028	0662057A39	390 1/16W 5%

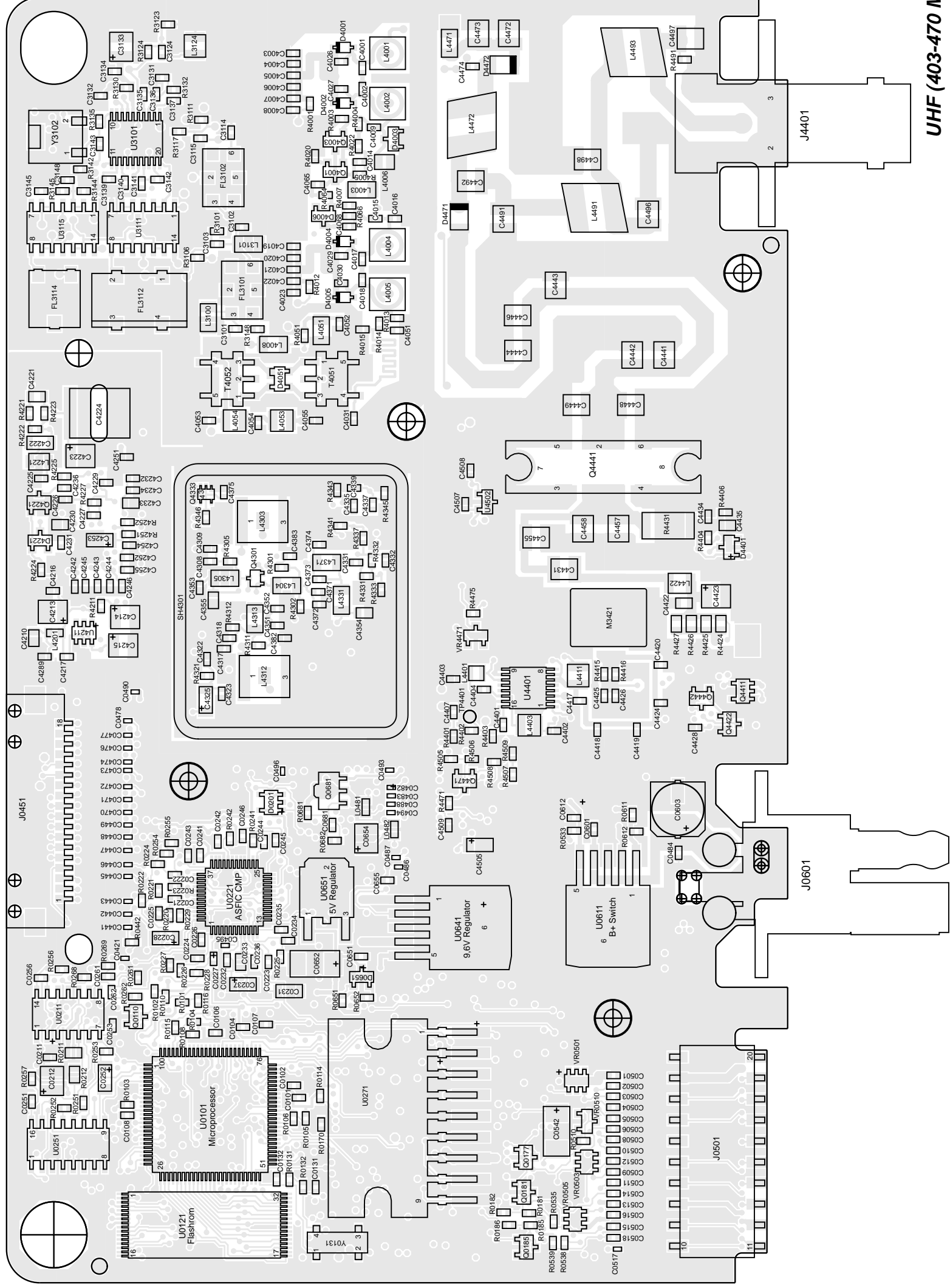
Circuit Ref	Motorola Part No.	Description
R3031	0662057A18	51 1/16W 5%
R3033	0662057B47	0 1/16W
R3101	0662057A75	12k 1/16W 5%
R3102	0662057A01	10 1/16W 5%
R3105	0662057A25	100 1/16W 5%
R3106	0662057A83	27k 1/16W 5%
R3107	0662057A69	6k8 1/16W 5%
R3108	0662057A44	620 OHMS 5%
R3111	0662057A75	12k 1/16W 5%
R3112	0662057A01	10 1/16W 5%
R3113	0662057A37	330 1/16W 5%
R3115	0662057A39	390 1/16W 5%
R3116	0662057A37	330 1/16W 5%
R3117	0662057A83	27k 1/16W 5%
R3118	0662057A69	6k8 1/16W 5%
R3130	0662057A18	51 1/16W 5%
R3132	0662057A77	15k 1/16W 5%
R3133	0662057A71	8k2 1/16W 5%
R3134	0662057A73	10k 1/16W 5%
R3135	0662057A51	1k2 1/16W 5%
R3141	0662057A39	390 1/16W 5%
R3142	0662057A55	1k8 1/16W 5%
R3144	0662057A58	2k4 1/16W 5%
R3145	0662057A61	3k3 1/16W 5%
R3146	0662057A45	680 OHMS 5%
R3147	0662057A75	12k 1/16W 5%
R3151	0662057A73	10k 1/16W 5%
R3152	0662057A73	10k 1/16W 5%
R3153	0662057A73	10k 1/16W 5%
R3154	0662057A73	10k 1/16W 5%
R3201	0662057A17	47 1/16W 5%
R3203	0662057A17	47 1/16W 5%
R3204	0662057A17	47 1/16W 5%
R3211	0662057B47	0 1/16W
R3221	0662057A39	390 1/16W 5%
R3222	0662057A45	CHIP RES 680 OHMS 5%
R3223	0662057A25	100 1/16W 5%
R3224	0662057A89	47k 1/16W 5%
R3225	0662057A89	47k 1/16W 5%
R3227	0662057A97	100k 1/16W
R3241	0662057A25	100 1/16W 5%
R3242	0662057B47	0 1/16W
R3251	0662057B04	180k 1/16W 5%
R3252	0662057B10	330k 1/16W 5%
R3261	0662057A89	47k 1/16W 5%
R3263	0662057A65	4k7 1/16W 5%
R3301	0662057A22	75 1/16W 5%
R3302	0662057A25	100 1/16W 5%
R3303	0662057A57	2k2 1/16W 5%
R3304	0662057A49	1k 1/16W 5%
R3308	0662057B47	0 1/16W

Circuit Ref	Motorola Part No.	Description
R3311	0662057A25	100 1/16W 5%
R3316	0662057B47	0 1/16W
R3318	0662057A09	22 1/16W 5%
R3321	0662057A73	10k 1/16W 5%
R3323	0662057A49	1k 1/16W 5%
R3331	0662057A17	47 1/16W 5%
R3335	0662057A13	33 1/16W 5%
R3336	0662057A77	15k 1/16W 5%
R3341	0662057A33	220 1/16W 5%
R3342	0662057A15	39 1/16W 5%
R3343	0662057A25	100 1/16W 5%
R3351	0662057A80	20k 1/16W 5%
R3352	0662057A75	12k 1/16W 5%
R3353	0662057A97	100k 1/16W
R3354	0662057B02	150k 1/16W
R3355	0662057A80	20k 1/16W 5%
R3356	0662057A75	12k 1/16W 5%
R3361	0662057A33	220 1/16W 5%
R3362	0662057A17	47 1/16W 5%
R3364	0662057A89	47k 1/16W 5%
R3400	0662057A41	470 1/16W 5%
R3401	0662057A36	300 1/16W 5%
R3402	0662057A05	15 1/16W 5%
R3403	0662057A36	300 1/16W 5%
R3404	0662057A89	47k 1/16W 5%
R3405	0662057A25	100 1/16W 5%
R3406	0662057A97	100k 1/16W
R3412	0662057A67	5k6 1/16W 5%
R3413	0662057A61	3k3 1/16W 5%
R3414	0683962T51	120 1W 5%
R3415	0662057A25	100 1/16W 5%
R3416	0662057A25	100 1/16W 5%
R3418	0662057A81	22k 1/16W 5%
R3421	0662057A87	39k 1/16W 5%
R3422	0662057A57	2k2 1/16W 5%
R3423	0662057A87	39k 1/16W 5%
R3424	0662057C13	2R7 1/10W 5%
R3425	0662057C13	2R7 1/10W 5%
R3426	0662057C13	2R7 1/10W 5%
R3427	0662057C13	2R7 1/10W 5%
R3428	0662057A58	2k4 1/16W 5%
R3429	0662057A33	220 1/16W 5%
R3431	0680194M18	51 1W 5%
R3432	0680194M18	51 1W 5%
R3433	0662057C13	2R7 1/10W 5%
R3434	0662057C13	2R7 1/10W 5%
R3435	0662057C13	2R7 1/10W 5%
R3441	0662057A87	39k 1/16W 5%
R3442	0662057A57	2k2 1/16W 5%
R3443	0662057A87	39k 1/16W 5%
R3444	0662057C19	4R7 1/10W 5%

Circuit Ref	Motorola Part No.	Description
R3445	0662057A58	2k4 1/16W 5%
R3446	0662057B47	0 1/16W
R3450	0662057A41	470 1/16W 5%
R3452	0662057A75	12k 1/16W 5%
R3454	0662057A84	30k 1/16W 5%
R3455	0662057A97	100k 1/16W
R3457	0683962T51	120 1W 5%
R3471	0662057A41	470 1/16W 5%
R3473	0680194M18	51 1W 5%
R3474	0680194M18	51 1W 5%
R3475	0662057A73	10k 1/16W 5%
R3491	0662057A73	10k 1/16W 5%
R3501	0662057A69	6k8 1/16W 5%
R3502	0662057A87	39k 1/16W 5%
R3504	0662057A73	10k 1/16W 5%
R3505	0662057B09	300k 1/16W 5%
R3507	0662057A80	20k 1/16W 5%
R3508	0662057A97	100k 1/16W
R3509	0662057A49	1k 1/16W 5%
T3001	2508396X02	TRANSFORMER
T3002	2508397X02	TRANSFORMER
U3101	5186144B01	FM IF IC SA616
U3111	5113805A86	IC QUAD ANALOG MUX/ DEMUX
U3115	5113805A86	IC QUAD ANALOG MUX/ DEMUX
U3201	5185963A27	IC TESTED AT25016 48 PIN GFP
U3211	5105739X05	IC SOT 5V HI-PRECISION REGULAT
U3301	5105750U54	VCO BUFFER PKG DIE
U3401	5105109Z67	LDMOS DRIVER VHF/UHF
U3402	5180932W01	LINEAR IC OP AMP
U3501	5185765B01	IC POWER CONTROL
U3502	5185963A15	TEMP SENSOR 1M5
VR3471	4813830A15	5.6V 5% 225mW
Y3101	4880606B09	CRYSTAL 44.395 MHZ
Y3102	9186145B02	CERAMIC DISCRIMINATOR 455kHz
Y3263	4886182B01	VCTCXO 16.8MHz 2ppm TTSO5V

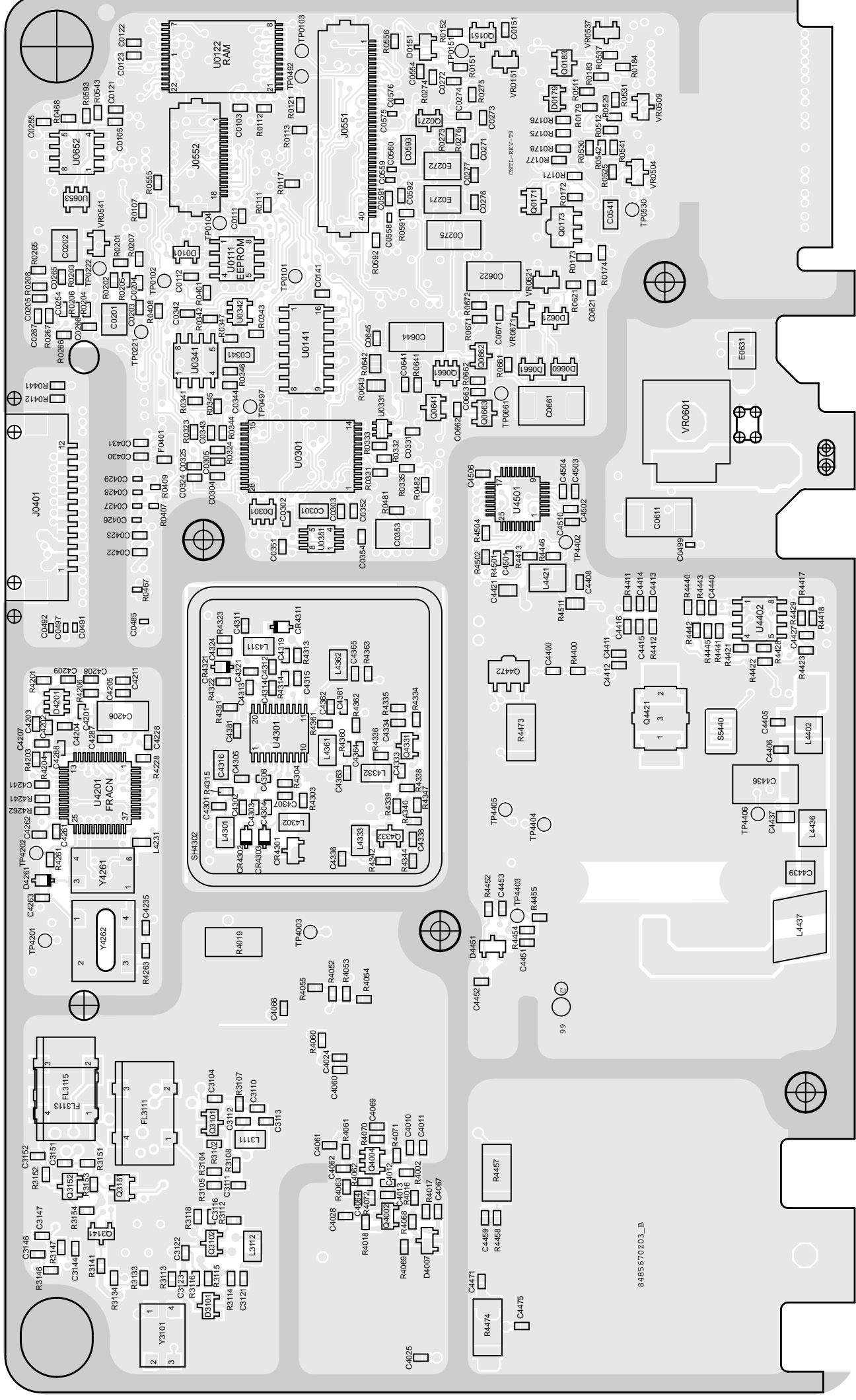
* Motorola Depot Servicing only

Reference designators with an asterisk indicate components which are not field replaceable because they need to be calibrated with specialized factory equipment after installation. Radios in which these parts have been replaced in the field will be off frequency at temperature extremes.



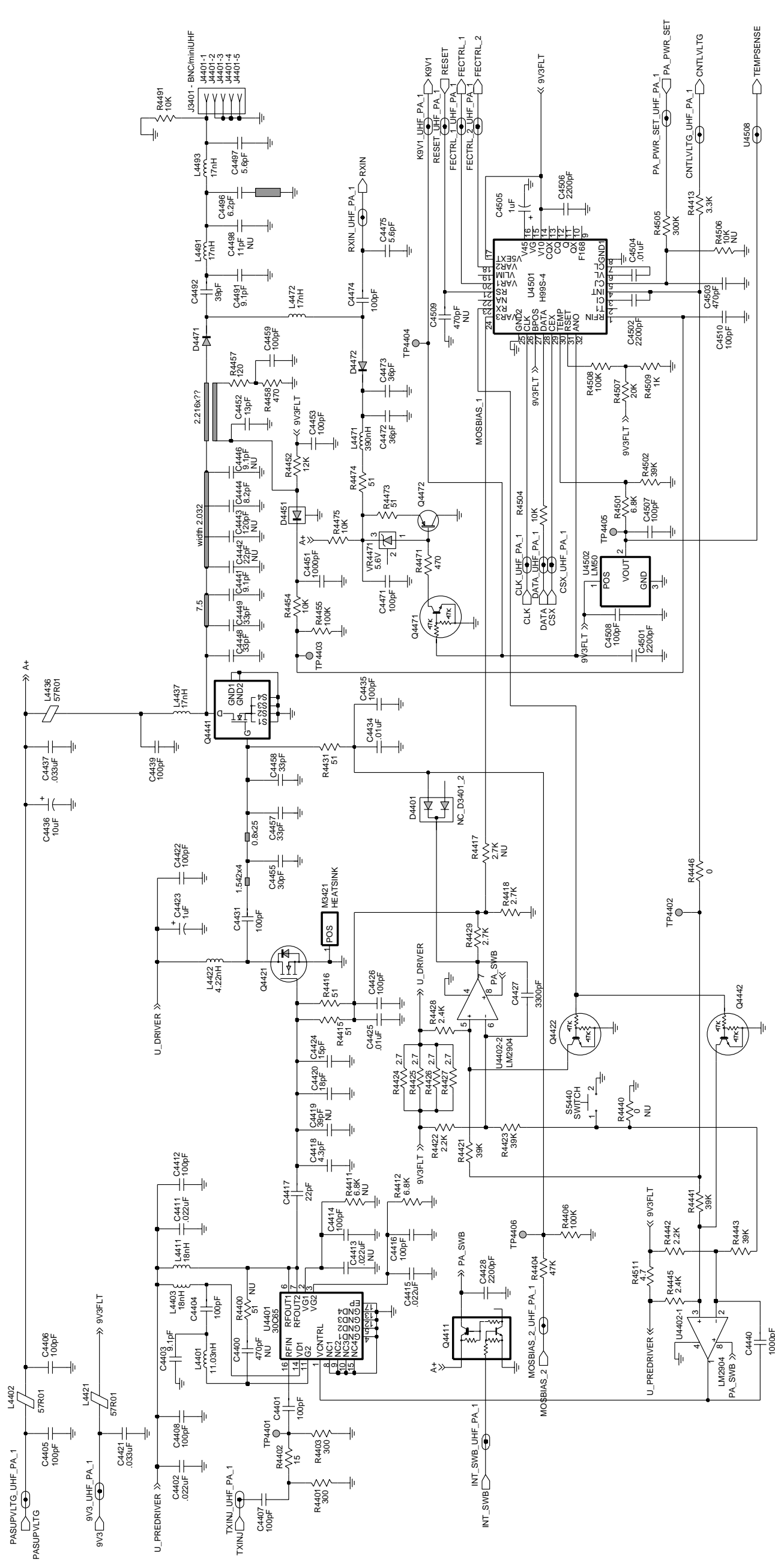
ZWG0130626-0

UHF (403-470 MHz) 1-25W 8485670Z03 Top Side



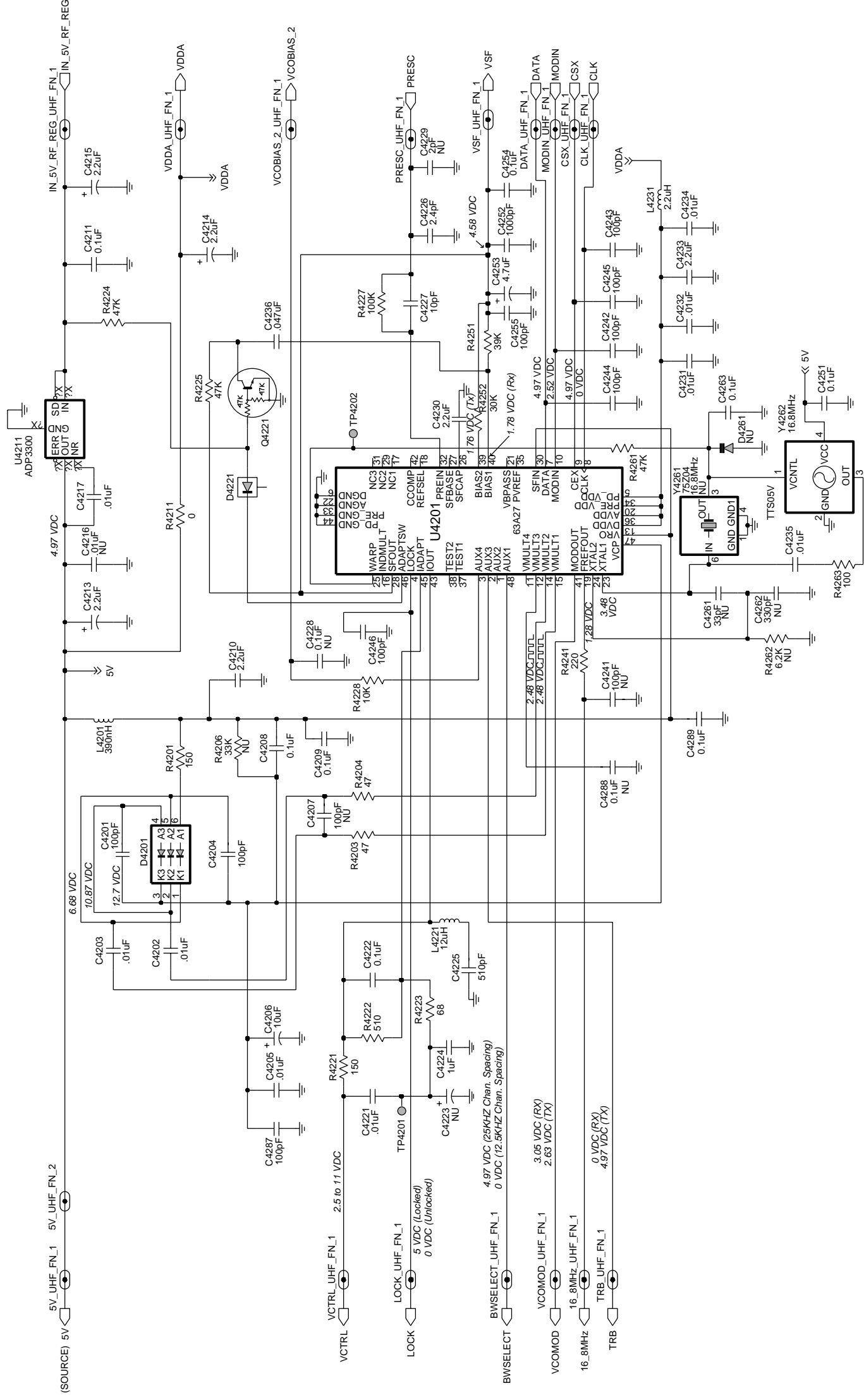
ZWG0130627-O

UHF (403-470 MHz) 1-25W 8485670Z03 Bottom Side



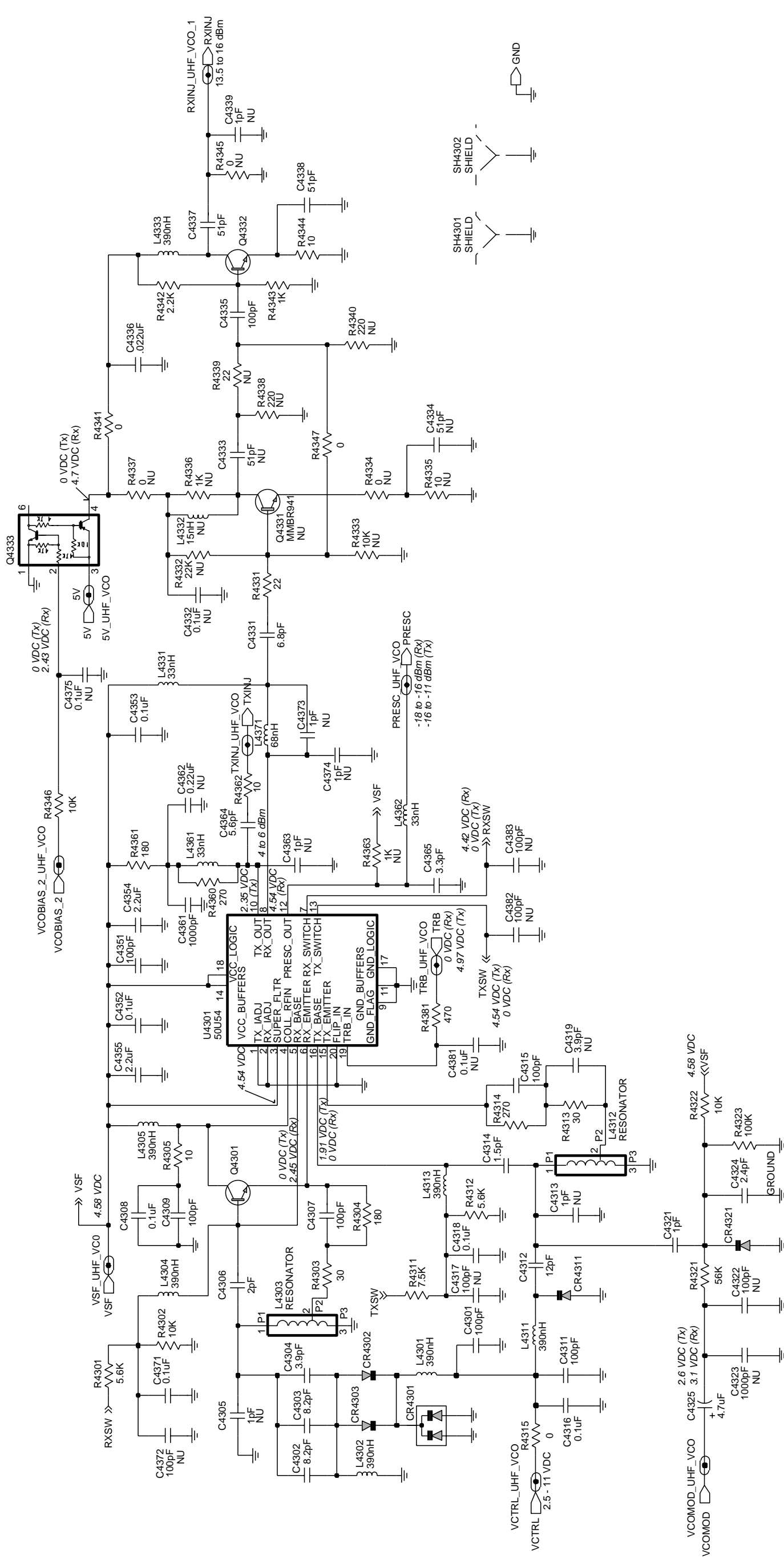
ZWG0130621-0

UHF (403-470 MHz) Power Amplifier 1 - 25W



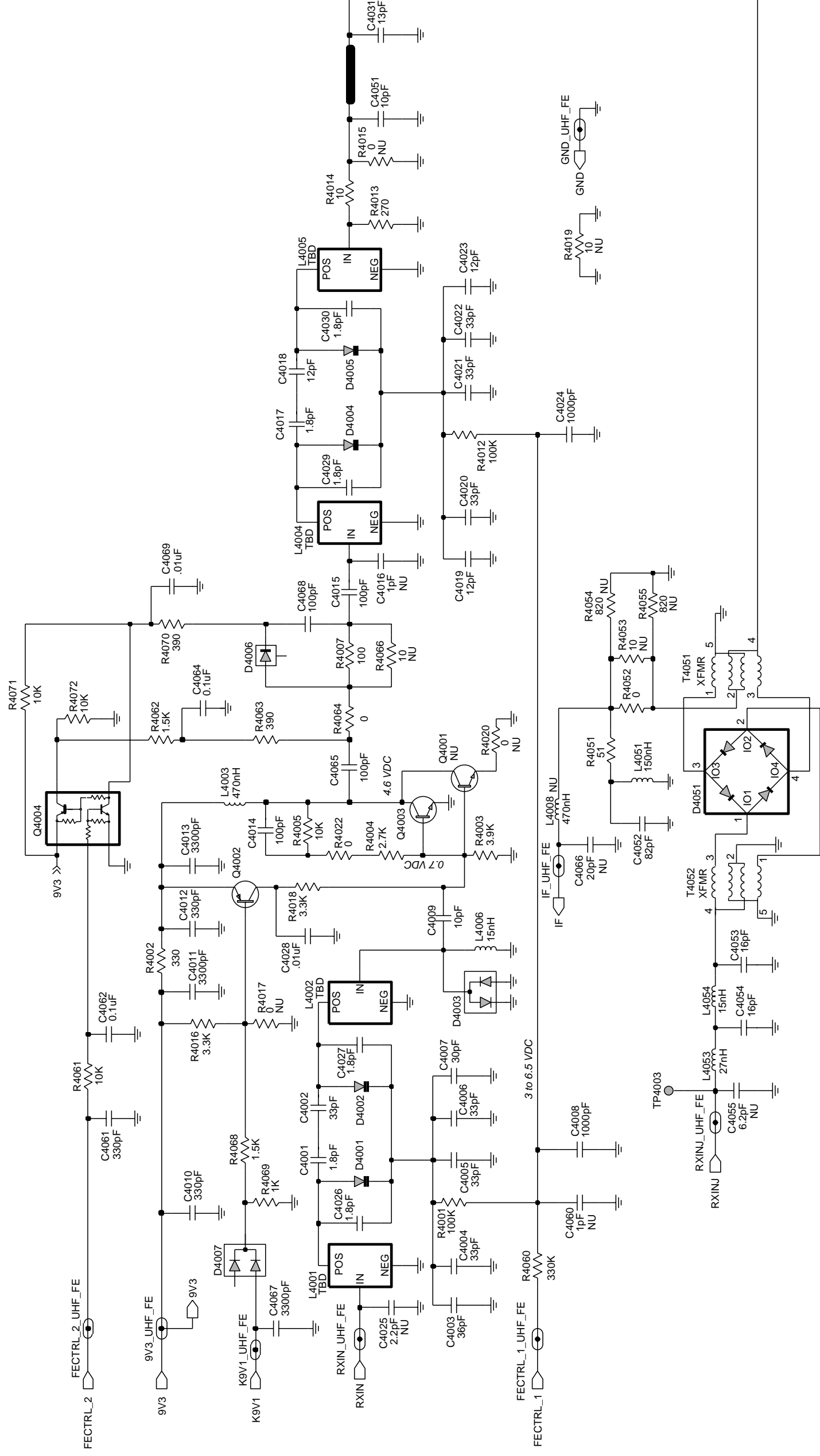
ZWG0130622-O

HF (403-470 MHz) FRACN



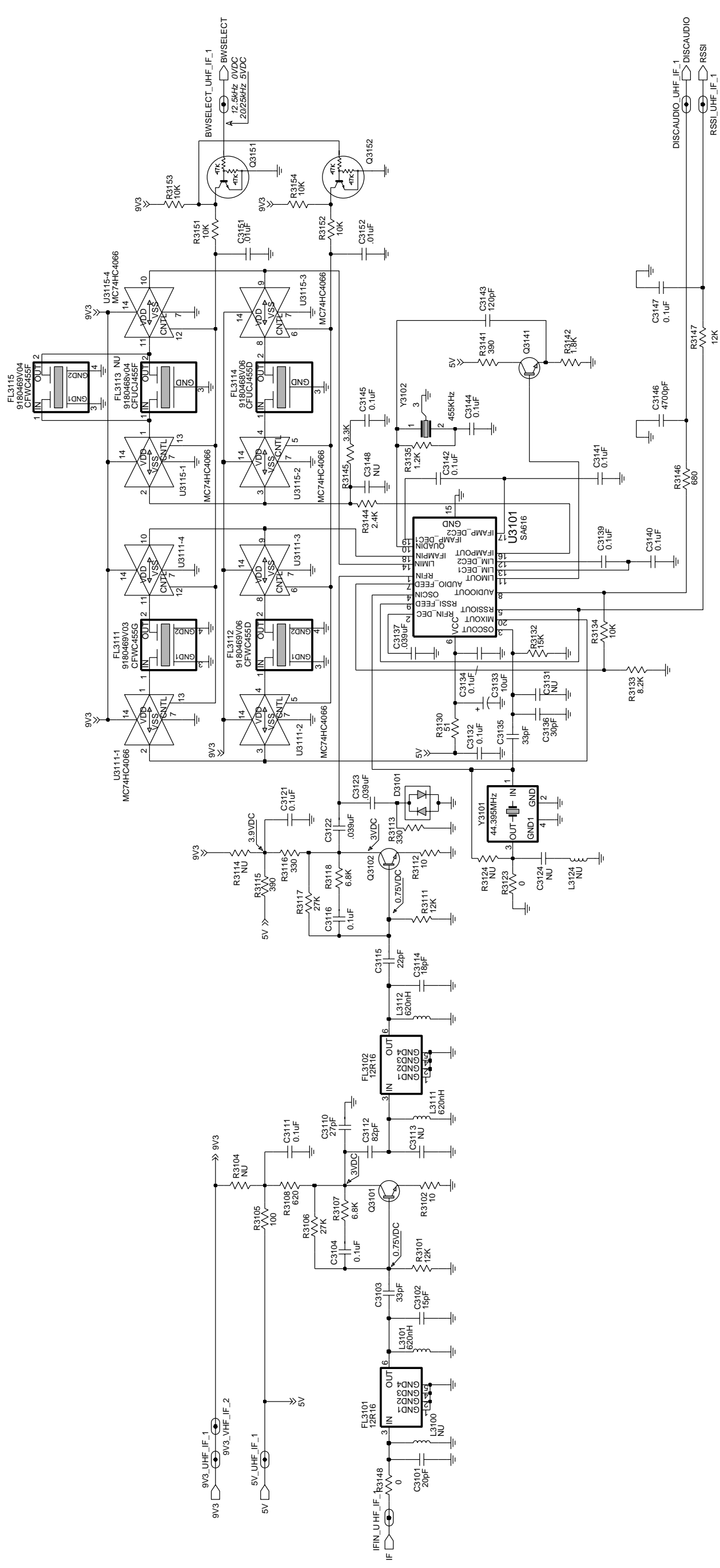
ZWVG0130624-O

UHF (403-470 MHz) Voltage Controlled Oscillator



ZWG0130625-O

UHF (403-470 MHz) Receiver Front End



ZWG0130623-O

UHF (403-470 MHz) IF

UHF PCB 8485670Z03 Parts List 1-25W

Circuit Ref	Motorola Part No.	Description
C3101	2113740F34	20pF
C3102	2113740F31	15pF
C3103	2113740F39	33pF
C3104	2113743E20	10uF
C3110	2113740F37	27pF
C3111	2113743E20	10uF
C3112	2113740F49	82pF
C3114	2113740F33	18pF
C3115	2113740F35	22pF
C3116	2113743E20	10uF
C3121	2113743E20	10uF
C3122	2113743E11	0.039uF
C3123	2113743E11	0.039uF
C3132	2113743E20	10uF
C3133	2311049A57	10uF
C3134	2113743E20	10uF
C3135	2113740L30	33pF
C3136	2113740L29	30pF
C3137	2113743E11	0.039uF
C3139	2113743E20	10uF
C3140	2113743E20	10uF
C3141	2113743E20	10uF
C3142	2113743E20	10uF
C3143	2113740F53	120pF
C3144	2113743E20	10uF
C3145	2113743E20	10uF
C3146	2113741F41	4700pF
C3147	2113743E20	10uF
C3151	2113741F49	10nF
C3152	2113741F49	10nF
C4001	2113740F09	1.8pF
C4002	2113740F39	33pF
C4003	2113740F40	36pF
C4004	2113740F39	33pF
C4005	2113740F39	33pF
C4006	2113740F38	30pF
C4007	2113741F25	1000pF
C4008	2113740F27	10pF
C4009	2113741F13	330pF
C4010	2113741F37	330pF
C4011	2113741F13	330pF
C4012	2113741F37	330pF
C4013	2113741F37	330pF
C4014	2113740F51	100pF
C4015	2113740F51	100pF
C4017	2113740F09	1.8pF
C4018	2113740F29	12pF
C4019	2113740F29	12pF
C4020	2113740F39	33pF
C4021	2113740F39	33pF

Circuit Ref	Motorola Part No.	Description
C4022	2113740F39	33pF
C4023	2113740F29	12pF
C4024	2113741F25	1000pF
C4026	2113740F09	1.8pF
C4027	2113740F09	1.8pF
C4028	2113741F49	10nF
C4029	2113740F09	1.8pF
C4030	2113740F09	1.8pF
C4031	2113740F30	13pF
C4051	2113740F27	10pF
C4052	2113740F49	82pF
C4053	2113740F32	16pF
C4054	2113740F32	16pF
C4061	2113740F63	330pF
C4062	2113743E20	10uF
C4064	2113743E20	10uF
C4065	2113740F51	100pF
C4067	2113741F37	3300pF
C4068	2113740F51	100pF
C4069	2113741F49	10nF
C4201	2113740F51	100pF
C4202	2113741F49	10nF
C4203	2113741F49	10nF
C4204	2113740F51	100pF
C4205	2113741F49	10nF
C4206	2311049J25	10uF
C4208	2113743E20	10uF
C4209	2113743E20	10uF
C4210	2104993J02	2.2uF
C4211	2113743E20	10uF
C4213	2311049A09	2.2uF
C4214	2311049A09	2.2uF
C4215	2311049A09	2.2uF
C4217	2113741F49	10nF
C4221	2109720D01	0.01uF
C4222	2109720D14	0.1uF
C4224	0882422W23	1uF
C4225	2113741F18	510pF
C4226	2113740L03	2.4pF
C4227	2113740F27	10pF
C4230	2104993J02	2.2uF
C4231	2113741F49	10nF
C4232	2113741F49	10nF
C4233	2104993J02	2.2uF
C4234	2113741F49	10nF
C4235	2113741F49	10nF
C4236	2113743E12	0.047uF
C4242	2113740F51	100pF
C4243	2113740F51	100pF
C4244	2113740F51	100pF
C4245	2113740F51	100pF

Circuit Ref	Motorola Part No.	Description
C4414	2113740F51	100pF
C4415	2113743E07	0.022uF
C4416	2113740F51	100pF
C4417	2113740F38	30pF
C4419	2113740F33	18pF
C4420	2113740F28	11pF
C4421	2113741A57	33K F
C4422	2113740A55	100pF
C4423	2311049A08	1uF
C4425	2113741F49	10nF
C4426	2113740F51	100pF
C4427	2113741F37	3300pF
C4428	2113741F33	2200pF
C4431	2111078B23	24pF
C4434	2113741F49	10nF
C4435	2113740A55	100pF
C4436	2311049A45	10uF
C4437	2113741A57	33K F
C4439	2111078B42	100pF
C4440	2113741F25	1000pF
C4441	2111078B18	15pF
C4446	2111078B09	6.8pF
C4448	2111078B29	33pF
C4449	2111078B29	33pF
C4451	2113741F25	1000pF
C4452	2113740F30	13pF
C4453	2113740F51	100pF
C4455	2111078B12	9.1pF
C4457	2111078B27	30pF
C4458	2111078B32	39pF
C4459	2113740F51	100pF
C4471	2113740F51	100pF
C4472	2111078B31	36pF
C4473	2111078B31	36pF
C4474	2113740F51	100pF
C4475	2113740F21	5.6pF
C4491	2111078B12	9.1pF
C4492	2111078B32	39pF
C4496	2111078B09	6.8pF
C4497	2111078B07	5.6pF
C4501	2113741F33	2200pF
C4502	2113741F33	2200pF
C4503	2113740F67	470pF
C4504	2113741F49	10nF
C4505	2311049A07	1uF
C4506	2113741F33	2200pF
C4507	2113740F51	100pF
C4508	2113740F51	100pF
C4510	2113740F51	100pF
CR4301	4805649Q13	DIODE, VARACTOR
CR4302	4862824C01	DIODE, VARACTOR

Circuit Ref	Motorola Part No.	Description	Circuit Ref	Motorola Part No.	Description	Circuit Ref	Motorola Part No.	Description	Circuit Ref	Motorola Part No.	Description
CR4303	4862824C01	DIODE, VARACTOR	L4313	2462587T22	390nH	R3117	0662057A83	27K Ohm	R4225	0662057A89	47K Ohm
CR4311	4802245J22	DIODE, VARACTOR	L4331	2462587T09	33nH	R3118	0662057A69	6800 Ohm	R4228	0662057A73	10K Ohm
CR4321	4862824C01	DIODE, VARACTOR	L4333	2462587T22	390nH	R3123	0662057B47	0 Ohm	R4241	0662057A33	220 Ohm
D3101	4880154K03	DIODE DUAL SCHOTTKY	L4361	2462587T09	33nH	R3130	0662057A18	51 Ohm	R4251	0662057A87	39K Ohm
D4001	4862824C01	DIODE, VARACTOR	L4362	2462587T09	33nH	R3132	0662057A77	15K Ohm	R4252	0662057A84	30K Ohm
D4002	4862824C01	DIODE, VARACTOR	L4371	2462587T13	68nH	R3133	0662057A71	8200 Ohm	R4261	0662057A89	47K Ohm
D4003	4880154K03	DIODE DUAL SCHOTTKY	L4401	2460591B04	11.03nH	R3134	0662057A73	10K Ohm	R4263	0662057A25	100 Ohm
D4004	4862824C01	DIODE, VARACTOR	L4402	2484657R01	Ferrite Bead	R3135	0662057A51	1200 Ohm	R4301	0662057A67	5600 Ohm
D4005	4862824C01	DIODE, VARACTOR	L4403	2462587N50	56nH	R3141	0662057A39	390 Ohm	R4302	0662057A73	10K Ohm
D4006	4880142L01	DIODE	L4411	2462587N44	18nH	R3142	0662057A55	1800 Ohm	R4303	0662057A12	30 Ohm
D4007	4813833C02	DIODE, DUAL 70V	L4421	2484657R01	Ferrite Bead	R3144	0662057A58	2400 Ohm	R4304	0662057A31	180 Ohm
D4051	4886143B01	DIODE, MIXER	L4422	2460591A01	4.22nH	R3145	0662057A61	3300 Ohm	R4305	0662057A01	10 Ohm
D4201	4802233J09	DIODE, TRIPLE	L4436	2484657R01	Ferrite Bead	R3146	0662057A45	680 Ohm	R4311	0662057A70	7500 Ohm
D4221	4813825A05	DIODE	L4437	2460592A01	17nH	R3147	0662057A75	12K Ohm	R4312	0662057A67	5600 Ohm
D4401	4813833C02	DIODE, DUAL 70V	L4471	2462587T22	390nH	R3148	0662057B47	0 Ohm	R4313	0662057A12	30 Ohm
D4451	4813825A05	DIODE	L4472	2460592A01	17nH	R3151	0662057A73	10K Ohm	R4314	0662057A35	270 Ohm
D4471	4802482J02	DIODE	L4491	2460592A01	17nH	R3152	0662057A73	10K Ohm	R4315	0662057B47	0 Ohm
D4472	4802482J02	DIODE	L4493	2460592A01	17nH	R3153	0662057A73	10K Ohm	R4321	0662057A91	56K Ohm
FL3101	9180112R16	2 POLE 44.85 MHZ CRYSTAL FILTER	M3421	2686201B01	HEAT SPREADER	R3154	0662057A73	10K Ohm	R4322	0662057A73	10K Ohm
FL3102	9180112R16	2 POLE 44.85 MHZ CRYSTAL FILTER	Q3101	4813827A07	NPN	R4001	0662057A97	100K Ohm	R4323	0662057A97	100K Ohm
FL3111	9180469V03	6 ELEMENT CER FILTER, 455KHz	Q3102	4813827A07	NPN	R4002	0662057A37	330 Ohm	R4331	0662057A09	22 Ohm
FL3112	9180469V06	6 ELEMENT CER FILTER, 455KHz	Q3141	4880214G02	NPN	R4003	0662057A63	3900 Ohm	R4341	0662057B47	0 Ohm
FL3114	9180468V06	4 ELEMENT CER FILTER, 455KHz	Q3151	4880048M01	NPN	R4004	0662057A59	2700 Ohm	R4342	0662057A57	2200 Ohm
FL3115	9180469V04	6 ELEMENT CER FILTER, 455KHz	Q3152	4880048M01	NPN	R4005	0662057A73	10K Ohm	R4343	0662057A49	1000 Ohm
J4401	0986166B01	MOBILE RF CONNECTOR (BNC)	Q4002	4813824A17	PNP	R4007	0662057A25	100 Ohm	R4344	0662057A01	10 Ohm
L3101	2462587T25	620nH	Q4003	4813827A07	NPN	R4012	0662057A97	100K Ohm	R4346	0662057A73	10K Ohm
L3111	2462587T25	620nH	Q4004	4805921T02	TRANSISTOR DUAL DIGITAL NPN/PNP	R4013	0662057A35	270 Ohm	R4347	0662057B47	0 Ohm
L3112	2462587T25	620nH	Q4221	4880048M01	NPN	R4014	0662057A01	10 Ohm	R4360	0662057A35	270 Ohm
L4003	2462587T23	470nH	Q4301	4805218N63	DIODE DUAL SCHOTTKY	R4016	0662057A61	3300 Ohm	R4361	0662057A31	180 Ohm
L4006	2462587V24	15nH	Q4332	4813827A07	NPN	R4018	0662057A61	3300 Ohm	R4362	0662057A01	10 Ohm
L4008	2462587T23	470nH	Q4333	4802245J50	TRANSISTOR DUAL NPN/PNP	R4022	0662057B47	0 Ohm	R4363	0662057A49	1000 Ohm
L4051	2462587T17	150nH	Q4411	4805921T02	TRANSISTOR DUAL DIGITAL NPN/PNP	R4051	0662057A18	51 Ohm	R4381	0662057A41	470 Ohm
L4053	2462587N46	27nH	Q4421	4886212B01	MRF1518	R4052	0662057B47	0 Ohm	R4400	0662057A43	560 Ohm
L4054	2462587N43	15nH	Q4422	4880048M01	NPN	R4060	0662057B10	330K Ohm	R4401	0662057A36	300 Ohm
L4201	2462587Q42	390nH	Q4441	4886163B01	MRF1535	R4061	0662057A73	10K Ohm	R4402	0662057A05	15 Ohm
L4221	2462587P25	12000nH	Q4442	4880048M01	NPN	R4062	0662057A53	1500 Ohm	R4403	0662057A36	300 Ohm
L4231	2462587Q20	2200nH	Q4471	4880048M01	NPN	R4063	0662057A39	390 Ohm	R4404	0662057A89	47K Ohm
L4301	2462587T22	390nH	Q4472	4805128M27	PNP	R4064	0662057B47	0 Ohm	R4406	0662057A97	100K Ohm
L4302	2462587T22	390nH	R3101	0662057A75	12K Ohm	R4068	0662057A53	1500 Ohm	R4412	0662057A69	6800 Ohm
L4303	2460593C01	RESONATOR	R3102	0662057A01	10 Ohm	R4069	0662057A49	1000 Ohm	R4413	0662057A61	3300 Ohm
L4304	2462587T22	390nH	R3105	0662057A25	100 Ohm	R4070	0662057A39	390 Ohm	R4415	0662057A18	51 Ohm
L4305	2462587T22	390nH	R3106	0662057A83	27K Ohm	R4071	0662057A73	10K Ohm	R4416	0662057A18	51 Ohm
L4311	2462587T22	390nH	R3107	0662057A69	6800 Ohm	R4072	0662057A73	10K Ohm	R4418	0662057A59	2700 Ohm
L4312	2462587T22	390nH	R3108	0662057A44	620 Ohm	R4201	0662057A29	150 Ohm	R4421	0662057A87	39K Ohm
L4313	2462587T22	390nH	R3111	0662057A75	12K Ohm	R4203	0662057A17	47 Ohm	R4422	0662057A57	2200 Ohm
L4314	2462587T22	390nH	R3112	0662057A01	10 Ohm	R4204	0662057A17	47 Ohm	R4423	0662057A87	39K Ohm
L4315	2462587T22	390nH	R3113	0662057A37	330 Ohm	R4211	0662057B47	0 Ohm	R4424	0662057C13	2.7 Ohm
L4316	2460593C01	RESONATOR	R3115	0662057A39	390 Ohm	R4221	0662057A29	150 Ohm	R4425	0662057C13	2.7 Ohm
			R3116	0662057A37	330 Ohm	R4222	0662057A42	510 Ohm	R4426	0662057C13	2.7 Ohm
						R4223	0662057A21	68 Ohm	R4427	0662057C13	2.7 Ohm
						R4224	0662057A89	47K Ohm	R4428	0662057A58	2400 Ohm

* Motorola Depot Servicing only
Reference designators with an asterisk indicate components which are not field replaceable because they need to be calibrated with specialized factory equipment after installation. Radios in which these parts have been replaced in the field will be off frequency at temperature extremes.

Circuit Ref	Motorola Part No.	Description
R4429	0662057A59	2700 Ohm
R4431	0680194M18	51 Ohm
R4441	0662057A87	39K Ohm
R4442	0662057A57	2200 Ohm
R4443	0662057A87	39K Ohm
R4445	0662057A58	2400 Ohm
R4446	0662057B47	0 Ohm
R4452	0662057A75	12K Ohm
R4454	0662057A73	10K Ohm
R4455	0662057A97	100K Ohm
R4457	0683962T51	120 Ohm
R4458	0662057A41	470 Ohm
R4471	0662057A41	470 Ohm
R4473	0680194M18	51 Ohm
R4474	0680194M18	51 Ohm
R4475	0662057A73	10K Ohm
R4491	0662057A73	10K Ohm
R4501	0662057A69	6800 Ohm
R4502	0662057A83	27K Ohm
R4504	0662057A73	10K Ohm
R4505	0662057B09	300K Ohm
R4507	0662057A80	20K Ohm
R4508	0662057A97	100K Ohm
R4509	0662057A49	1000 Ohm
R4511	0662057C19	4.7 Ohm
SH4301	2602641Y02	SHIELD
SH4302	2602641Y02	SHIELD
T4051	2505515V03	XFMR MIXER 4:1
T4052	2505515V04	XFMR MIXER 5:1
U3101	5186144B01	IC, IF
U3111	5102463J52	QUAD ANALOG SWITCH
U3115	5102463J52	QUAD ANALOG SWITCH
U4201	5185963A27	IC FRACTN
U4211	5105739X05	IC, VOLTAGE REGULATOR
U4301	5105750U54	IC, VCO
U4401	5185130C65	IC LDMOS DRIVER
U4402	5113818A01	LOW POWER SUPPLY
U4501	5185765B28	IC POWER CONTROL
U4502	5185963A15	IC TEMPERATURE SENSOR
VR4471	4813830A15	DIODE, 5.6V
Y3101	4880606B09	2ND OSC XTAL 44.395 MHZ
Y3102	9186145B02	455KHz DISCRIMINATOR
Y4262	4886182B01	TCXO 16.8MHZ



GM328/GM338/GM398

Mobile Radios

UHF Band 2 (450-527MHz)

Service Information

Computer Software Copyrights

The Motorola products described in this manual may include copyrighted Motorola computer programs stored in semiconductor memories or other media. Laws in the United States and other countries preserve for Motorola certain exclusive rights for copyrighted computer programs, including the exclusive right to copy or reproduce in any form, the copyrighted computer program. Accordingly, any copyrighted Motorola computer programs contained in the Motorola products described in this manual may not be copied or reproduced in any manner without the express written permission of Motorola. Furthermore, the purchase of Motorola products shall not be deemed to grant, either directly or by implication, estoppel or otherwise, any license under the copyrights, patents or patent applications of Motorola, except for the normal non-exclusive royalty-free license to use that arises by operation of law in the sale of a product.

Table of Contents

Section 1 Model Chart and Technical Specifications

1.0 GM328/GM338/GM398 Model Chart	1-1
2.0 Technical Specifications	1-2

Section 2 Theory of Operation

1.0 Introduction	2-1
2.0 UHF (450-527 MHz) Receiver	2-1
2.1 Receiver Front-End	2-1
2.2 Front-End Band-Pass Filters & Pre-Amplifier	2-2
2.3 First Mixer and High Intermediate Frequency (IF)	2-2
2.4 Low Intermediate Frequency (IF) and Receiver Back End	2-3
3.0 UHF (450-527 MHz) Transmitter Power Amplifier (PA) 25 W	2-3
3.1 First Power Controlled Stage	2-4
3.2 Power Controlled Driver Stage	2-4
3.3 Final Stage	2-4
3.4 Directional Coupler	2-5
3.5 Antenna Switch	2-5
3.6 Harmonic Filter	2-5
3.7 Power Control	2-5
4.0 UHF (450-527 MHz) Frequency Synthesis	2-6
4.1 Reference Oscillator	2-6
4.2 Fractional-N Synthesizer	2-7
4.3 Voltage Controlled Oscillator (VCO)	2-8
4.4 Synthesizer Operation	2-9

Section 3 Troubleshooting Charts

1.0 Troubleshooting Flow Chart for Receiver	3-1
2.0 Troubleshooting Flow Chart for 25W Transmitter	3-3
3.0 Troubleshooting Flow Chart for Synthesizer	3-6
4.0 Troubleshooting Flow Chart for VCO	3-7

Section 4 UHF PCB/Schematics/Parts Lists

1.0	Allocation of Schematics and Circuit Boards	4-1
1.1	Controller Circuits.....	4-1
2.0	UHF Band 2 1-25W PCBs / Schematics / Parts List.....	4-3
	UHF Band 2 (450-527 MHz) 1-25W 8485671Z03 Top Side.....	4-3
	UHF Band 2 (450-527 MHz) 1-25W 8485671Z03 Bottom Side	4-4
	UHF Band 2 (450-527 MHz) Power Amplifier 1 - 25W	4-5
	UHF Band 2 (450-527 MHz) FRACN	4-6
	UHF Band 2 (450-527 MHz) Voltage Controlled Oscillator	4-7
	UHF Band 2 (450-527 MHz) Receiver Front End.....	4-8
	UHF Band 2 (450-527 MHz) IF.....	4-9
	UHF Band 2 PCB 8485671Z03 Parts List 1-25W.....	4-10

Section 1

MODEL CHART AND TECHNICAL SPECIFICATIONS

1.0 GM328/GM338/GM398 Model Chart

GM Series, UHF Band 2, 450-527 MHz			
Model			Description
		AZM25SHC9AA1	GM328 450-527 MHz 1-25W
		AZM25SHF9AA5	GM338 450-527 MHz 1-25W
		AZM25SHN9AA8	GM398 450-527 MHz 1-25W
		Item	Description
X		GCN6112_	GM328 Control Head Direct Mount
	X	GCN6114_	GM338 Control Head Direct Mount
		X GCN6115_	GM398 Control Head Direct Mount
X	X	IMUE6022_	Tanapa WM 450-527 MHz 1-25W
		X IMUE6043	Tanapa WM 450-527 MHz 1-25W
X	X	X RAE4155_	BNC 470-512 MHz, 1/4 Wave Roof Mount
X	X	X RAE4156_	BNC 470-494 MHz, 3.5 Gain Roof Mount
X	X	X RAE4157_	BNC 494-512 MHz, 5dB Gain Roof Mount
X		6804113J74	GM328 User Guide
	X	6804112J06	GM338 User Guide
		X 6804112J07	GM398 User Guide

x = Indicates one of each is required.

2.0 Technical Specifications

Data is specified for +25°C unless otherwise stated.

General Specifications	
Channel Capacity GM328 GM338 GM398	4 128 160
Power Supply	13.2Vdc (10.8 - 15.6Vdc)
Dimensions: H x W x D (mm) Depth excluding knobs	GM328 56mm x 176mm x 177mm (add 8mm for Volume Knob)
Dimensions: H x W x D (mm) Depth excluding knobs	GM338 59mm x 179mm x 186mm (1 - 25W) 59mm x 179mm x 198mm (25 - 45W) (add 9mm for Volume Knob)
Dimensions: H x W x D (mm) Depth excluding knobs	GM398 72mm x 185mm x 188mm (add 8mm for Volume Knob)
Weight GM328/GM338	1400 g
Weight GM398	1500 g
Sealing:	Withstands rain testing per MIL STD 810 C/D/E and IP54
Shock and Vibration:	Protection provided via impact resistant housing exceeding MIL STD 810-C/D/E
Dust, Salt & Fog:	Protection provided via environment resistant housing exceeding MIL STD 810 C/D/E

Transmitter	UHF
*Frequencies - Full Bandsplit	UHF 450-527 MHz
Channel Spacing	12.5/20/25 kHz
Frequency Stability (-30°C to +60°C, +25° Ref.)	±2.0 ppm
Power	1-25W
Modulation Limiting	±2.5 @ 12.5 kHz ±4.0 @ 20 kHz ±5.0 @ 25 kHz
FM Hum & Noise	-40 dB @ 12.5kHz -45 dB @ 20/25kHz
Conducted/Radiated Emission (ETS)	-36 dBm <1 GHz -30 dBm >1 GHz
Adjacent Channel Power	-60 dB @ 12.5 kHz -70 dB @ 25 kHz
Audio Response (300 - 3000 Hz)	+1 to -3 dB
Audio Distortion @ 1000Hz, 60% Rated Maximum Deviation	<3% typical

Receiver	UHF
*Frequencies - Full Bandsplit	UHF 450-527 MHz
Channel Spacing	12.5/20/25 kHz
Sensitivity (12 dB SINAD)	0.30 µV (0.22 µV typical)
Intermodulation (ETS)	>65 dB Base Mode: >70dB (1-25W model only)
Adjacent Channel Selectivity (ETS)	65 dB @ 12.5 kHz 70 dB @ 20 kHz 75 dB @ 25 kHz
Spurious Rejection (ETS)	70 dB @ 12.5 kHz 75 dB @ 20/25 kHz
Rated Audio	3W Internal 13W External
Audio Distortion @ Rated Audio	<3% typical
Hum & Noise	-40 dB @ 12.5 kHz -45 dB @ 20/25 kHz

Receiver	UHF
Audio Response (300 - 3000Hz @ 20/25kHz) (300 - 2550Hz @ 12.5kHz)	+1 to -3 dB
Conducted Spurious Emission (ETS)	-57 dBm <1 GHz -47 dBm >1 GHz

*Availability subject to the laws and regulations of individual countries.

Section 2

THEORY OF OPERATION

1.0 Introduction

This Chapter provides a detailed theory of operation for the UHF circuits in the radio. For details of the theory of operation and troubleshooting for the the associated Controller circuits refer to the Controller Section of this manual.

2.0 UHF (450-527 MHz) Receiver

2.1 Receiver Front-End

The receiver is able to cover the UHF range from 450 to 527 MHz. It consists of four major blocks: front-end bandpass filters and pre-amplifier, first mixer, high-IF, low-IF and receiver back-end . Two varactor-tuned bandpass filters perform antenna signal pre-selection. A cross over quad diode mixer converts the signal to the first IF of 44.85 MHz. Low-side first injection is used.

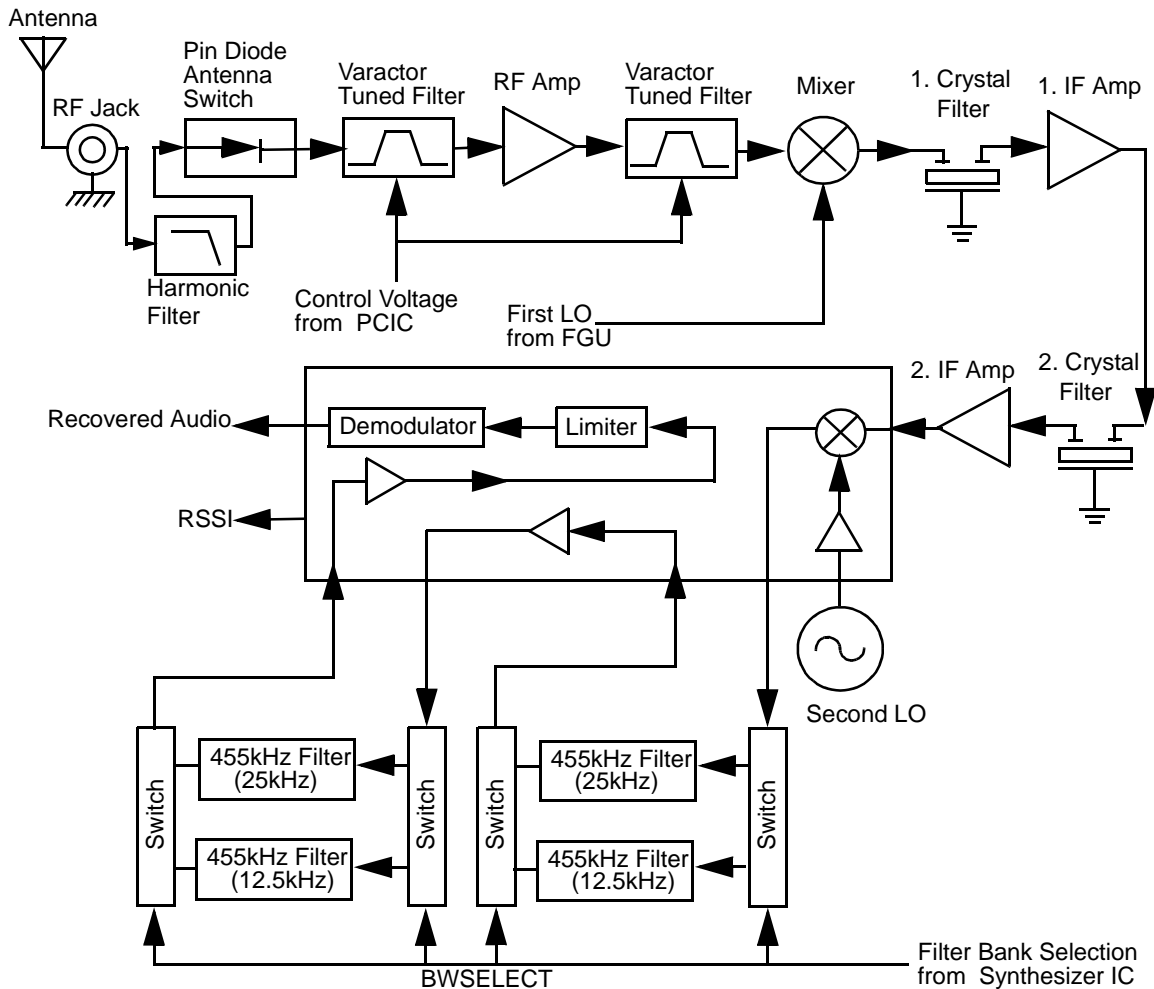


Figure 2-1 UHF Receiver Block Diagram

There are two 2-pole 44.85 MHz crystal filters in the high-IF section and 2 pairs of 455 kHz ceramic filters in the low-IF section to provide the required adjacent channel selectivity. The correct pair of ceramic filters for 12.5 or 25 kHz channel spacing is selected via control line BWSELECT. The second IF at 455 kHz is mixed, amplified and demodulated in the IF IC. The processing of the demodulated audio signal is performed by an audio processing IC located in the controller section.

2.2 Front-End Band-Pass Filters & Pre-Amplifier

The received signal from the radio's antenna connector is first routed through the harmonic filter and antenna switch, which are part of the RF power amplifier circuitry, before being applied to the receiver pre-selector filter (C5001, C5002, D5001 and associated components). The 2-pole pre-selector filter tuned by the varactor diodes D5001 and D5002 pre-selects the incoming signal (RXIN) from the antenna switch to reduce spurious effects to following stages. The tuning voltage (FECTRL_1) ranging from 2 volts to 8 volts is controlled by pin 20 of PCIC (U5501) in the Transmitter section. A dual hot carrier diode (D5003) limits any inband signal to 0 dBm to prevent damage to the pre-amplifier.

The RF pre-amplifier is an SMD device (Q5003) with collector base feedback to stabilize gain, impedance, and intermodulation. The collector current of approximately 11-16 mA is drawn from the voltage 9V3 via L5003 and R5002. A switchable 3dB pad (R5066,R5007,R5063, R5064 and R5070), controlled via line FECTRL_2 and Q5004 stabilizes the output impedance and intermodulation performance.

A second 2-pole varactor tuned bandpass filter provides additional filtering of the amplified signal. The varactor diodes D5004 and D5005 are controlled by the same signal FECTRL_1, which controls the pre-selector filter. A following 1 dB pad (R5013 - R5015) stabilizes the output impedance and intermodulation performance.

2.3 First Mixer and High Intermediate Frequency (IF)

The signal coming from the front-end is converted to the first IF (44.85 MHz) using a cross over quad diode mixer (D5051). Its ports are matched for incoming RF signal conversion to the 44.85 MHz IF using low side injection via matching transformers T5051 and T5052. The injection signal (RXINJ) coming from the RX VCO buffer (Q5332) is filtered by the lowpass filter consisting of (L5053, L5054, C5053 - C5055) followed by a matching transformer T5052 and has a level of approximately 15dBm.

The mixer IF output signal (IF) from transformer T5051 pin 2 is fed to the first two pole crystal filter FL3101. The filter output in turn is matched to the following IF amplifier.

The IF amplifier Q3101 is actively biased by a collector base feedback (R3101, R3106) to a current drain of approximately 5 mA drawn from the voltage 5V. Its output impedance is matched to the second two pole crystal filter FL3102. The signal is further amplified by a preamplifier (Q3102) before going into pin 1 of IFIC (U3101).

A dual hot carrier diode (D3101) limits the filter output voltage swing to reduce overdrive effects at RF input levels above -27 dBm.

2.4 Low Intermediate Frequency (IF) and Receiver Back End

The 44.85 MHz high IF signal from the second IF amplifier feeds the IF IC (U3101) at pin 1. Within the IF IC the 44.85 MHz high IF signal mixes with the 44.395 MHz second local oscillator (2nd LO) to produce the low IF signal at 455 kHz. The 2nd LO frequency is determined by crystal Y3101. The low IF signal is amplified and filtered by an external pair of 455 kHz ceramic filters FL3112, FL3114 for 20/25 kHz channel spacing or FL3111, FL3113/F3115 for 12.5 kHz channel spacing. These pairs are selectable via BWSELECT. The filtered output from the ceramic filters is applied to the limiter input pin of the IF IC (pin 14).

The IF IC contains a quadrature detector using a ceramic phase-shift element (Y3102) to provide audio detection. Internal amplification provides an audio output level of 120 mV rms (at 60% deviation) from U3103 pin 8 (DISCAUDIO) which is fed to the ASFIC_CMP (U0221) pin 2 (part of the Controller circuitry).

A Received Signal Strength Indicator (RSSI) signal is available at U3101 pin 5, having a dynamic range of 70 dB. The RSSI signal is interpreted by the microprocessor (U0101 pin 63) and in addition is available at accessory connector J0501-15.

3.0 UHF (450-527 MHz) Transmitter Power Amplifier (PA) 25 W

The radio's 25W PA is a three stage amplifier used to amplify the output from the VCOBIC to the radio transmit level. All three stages utilize LDMOS technology. The gain of the first stage (U5401) is adjustable, controlled by pin 4 of PCIC (U5501) via U5402-1. It is followed by an LDMOS stage (Q5421) and LDMOS final stage (Q5441).

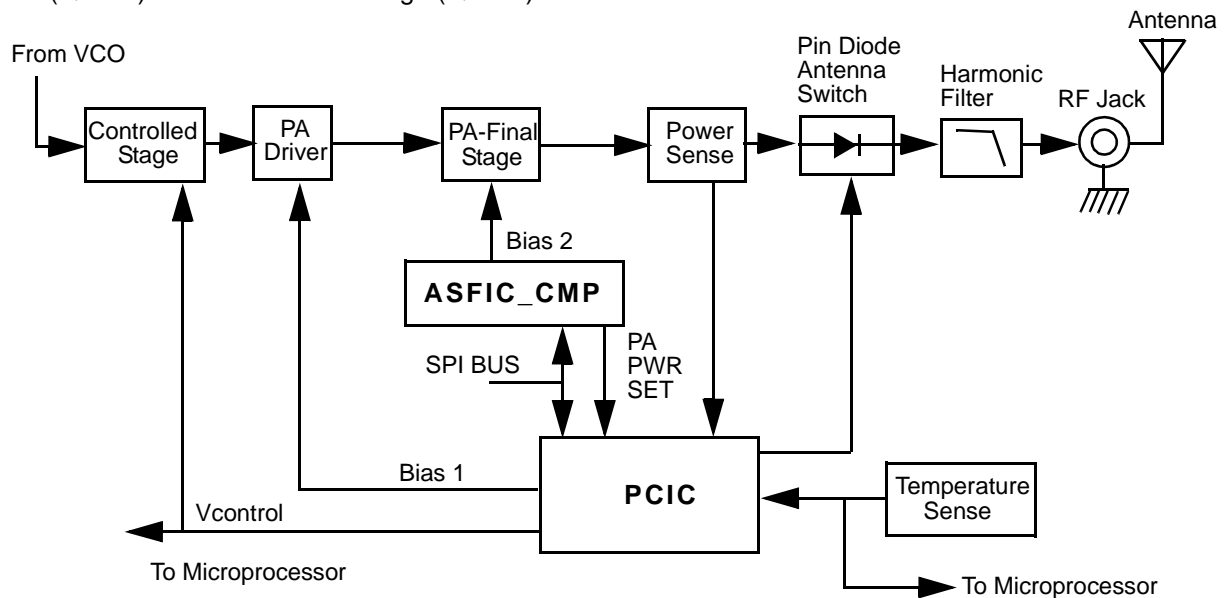


Figure 2-2 UHF Transmitter Block Diagram

Devices U5401, Q5421 and Q5441 are surface mounted. A pressure pad between board and the radio's cover provides good thermal contact between the devices and the chassis.

3.1 First Power Controlled Stage

The first stage (U5401) is a 20dB gain integrated circuit containing two LDMOS FET amplifier stages. It amplifies the RF signal from the VCO (TXINJ). The output power of stage U5401 is controlled by a DC voltage applied to pin 1 from the op-amp U5402-1, pin 1. The control voltage simultaneously varies the bias of two FET stages within U5401. This biasing point determines the overall gain of U5401 and therefore its output drive level to Q5421, which in turn controls the output power of the PA.

Op-amp U5402-1 monitors the drain current of U5401 via resistor R5444 and adjusts the bias voltage of U5401 so that the current remains constant. The PCIC (U5501) provides a DC output voltage at pin 4 (INT) which sets the reference voltage of the current control loop. A raising power output causes the DC voltage from the PCIC to fall, and U5402-1 adjusts the bias voltage for a lower drain current to lower the gain of the stage.

In receive mode the DC voltage from PCIC pin 23 (RX) turns on Q5442, which in turn switches off the biasing voltage to U5401.

Switch S5440 is a pressure pad with a conductive strip which connects two conductive areas on the board when the radio's cover is properly screwed to the chassis. When the cover is removed, S5440 opens and the resulting high voltage level at the inverting inputs of the current control op-amps U5402-1 & 2 switches off the biasing of U5401 and Q5421. This prevents transmitter key up while the devices do not have proper thermal contact to the chassis.

3.2 Power Controlled Driver Stage

The next stage is an LDMOS device (Q5421) providing a gain of 12dB. This device requires a positive gate bias and a quiescent current flow for proper operation. The bias is set during transmit mode by the drain current control op-amp U5402-2, and fed to the gate of Q5421 via the resistive network R5429, R5418, R5415 and R5416.

Op-amp U5402-2 monitors the drain current of U5421 via resistors R5424-27 and adjusts the bias voltage of Q5421 so that the current remains constant. The PCIC (U5501) provides a DC output voltage at pin 4 (INT) which sets the reference voltage of the current control loop. A raising power output causes the DC voltage from the PCIC to fall, and U5402-2 adjusts the bias voltage for a lower drain current to lower the gain of the stage.

In receive mode the DC voltage from PCIC pin 23 (RX) turns on Q5422, which in turn switches off the biasing voltage to Q5421.

3.3 Final Stage

The final stage is an LDMOS device (Q5441) providing a gain of 12dB. This device also requires a positive gate bias and a quiescent current flow for proper operation. The voltage of the line MOSBIAS_2 is set in transmit mode by the ASFIC and fed to the gate of Q5441 via the resistive network R5404, R5406, and R5431-2. This bias voltage is tuned in the factory. If the transistor is replaced, the bias voltage must be tuned using the Global Tuner. Care must be taken not to damage the device by exceeding the maximum allowed bias voltage. The device's drain current is drawn directly from the radio's DC supply voltage input, PASUPVLTG, via L5436 and L5437. A matching network consisting of C5441-49 and striplines transforms the impedance to 50 ohms and feeds the directional coupler.

3.4 Directional Coupler

The directional coupler is a microstrip printed circuit, which couples a small amount of the forward power delivered by Q5441. The coupled signal is rectified by D5451. The DC voltage is proportional to the RF output power and feeds the RFIN port of the PCIC (U5501 pin 1). The PCIC controls the gain of stages U5401 and Q5421 as necessary to hold this voltage constant, thus ensuring the forward power out of the radio to be held to a constant value.

3.5 Antenna Switch

The antenna switch consists of two PIN diodes, D5471 and D5472. In the receive mode, both diodes are off. Signals applied at the antenna jack J5401 are routed, via the harmonic filter, through network L5472, C5474 and C5475, to the receiver input. In the transmit mode, K9V1 turns on Q5471 which enables current sink Q5472, set to 96 mA by R5473 and VR5471. This completes a DC path from PASUPVLTG, through L5437, D5471, L5472, D5472, L5471, R5474 and the current sink, to ground. Both diodes are forward biased into conduction. The transmitter RF from the directional coupler is routed via D5471 to the harmonic filter and antenna jack. D5472 also conducts, shunting RF power and preventing it from reaching the receiver port (RXIN). L5472 is selected to appear as a broadband $\lambda/4$ wave transmission line, making the short circuit presented by D5472 appear as an open circuit at the junction of D5472 and the receiver path.

3.6 Harmonic Filter

Components L5491-L5493 and L5472, C5491, C5496-98 form a Butterworth low-pass filter to attenuate harmonic energy of the transmitter to specifications level. R5491 is used to drain electrostatic charge that might otherwise build up on the antenna. The harmonic filter also prevents high level RF signals above the receiver passband from reaching the receiver circuits, improving spurious response rejection.

3.7 Power Control

The transmitter uses the Power Control IC (PCIC, U5501) to control the power output of the radio. A portion of the forward RF power from the transmitter is sampled by the directional coupler and rectified, to provide a DC voltage to the RFIN port of the PCIC (pin 1) which is proportional to the sampled RF power.

The ASFIC (U0221) has internal digital to analog converters (DACs) which provide a reference voltage of the control loop to the PCIC via R5505. The reference voltage level is programmable through the SPI line of the PCIC. This reference voltage is proportional to the desired power setting of the transmitter, and is factory programmed at several points across the frequency range of the transmitter to offset frequency response variations of the transmitter's power detector circuit.

The PCIC provides a DC output voltage at pin 4 (INT) which sets the drain current of the first (U5401) and second (Q5421) transmitter stage via current control op-amps U5402-1 and U5402-2. This adjusts the transmitter power output to the intended value. Variations in forward transmitter power cause the DC voltage at pin 1 to change, and the PCIC adjusts the control voltage above or below its nominal value to raise or lower output power.

Capacitors C5502-4, in conjunction with resistors and integrators within the PCIC, control the transmitter power-rise (key-up) and power-decay (de-key) characteristic to minimize splatter into adjacent channels.

U5502 is a temperature-sensing device, which monitors the circuit board temperature in the vicinity of the transmitter driver and final devices, and provides a DC voltage to the PCIC (TEMP, pin 30) proportional to temperature. If the DC voltage produced exceeds the set threshold in the PCIC, the transmitter output power will be reduced so as to reduce the transmitter temperature.

4.0 UHF (450-527 MHz) Frequency Synthesis

The synthesizer subsystem consists of the reference oscillator (Y5261 or Y5262), the Low Voltage Fractional-N synthesizer (LVFRAC-N, U5201), and the Voltage Controlled Oscillator VCO.

4.1 Reference Oscillator

The reference oscillator (Y5262) contains a temperature compensated crystal oscillator with a frequency of 16.8 MHz. An Analogue to Digital (A/D) converter internal to U5201 (LVFRAC-N) and controlled by the microprocessor via serial interface (SRL) sets the voltage at the warp output of U5201 pin 25 to set the frequency of the oscillator. The output of the oscillator (pin 3 of Y5262) is applied to pin 23 (XTAL1) of U5201 via a RC series combination.

In applications where less frequency stability is required the oscillator inside U5201 is used along with an external crystal Y5261, varactor diode D5261, C5261, C5262 and R5262. In this case, Y5262, R5263, C5235 and C5251 are not used. When Y5262 is used, Y5261, D5261, C5261, C5262 and R5262 are not used, and C5263 is increased to 0.1 uF.

4.2 Fractional-N Synthesizer

The LVFRAC-N synthesizer IC (U5201) consists of a pre-scaler, a programmable loop divider, control divider logic, a phase detector, a charge pump, an A/D converter for low frequency digital modulation, a balance attenuator to balance the high frequency analogue modulation and low frequency digital modulation, a 13V positive voltage multiplier, a serial interface for control, and finally a super filter for the regulated 5 volts.

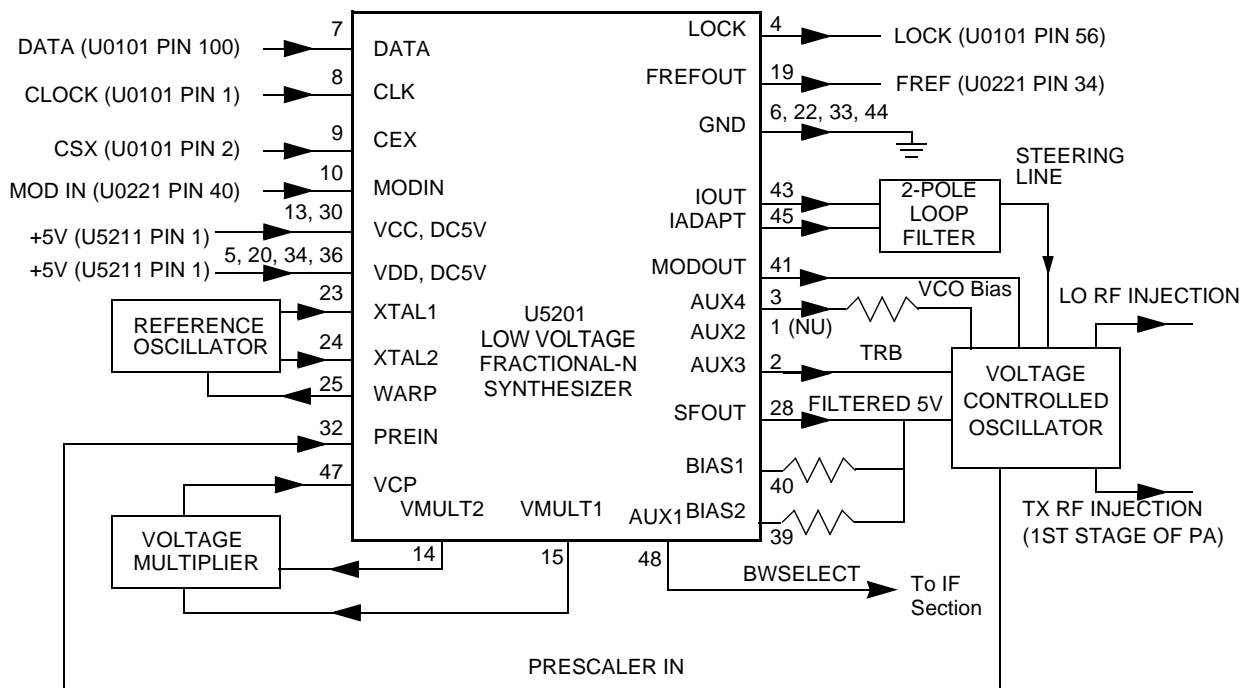


Figure 2-3 UHF Synthesizer Block Diagram

A voltage of 5V applied to the super filter input (U5201 pin 30) supplies an output voltage of 4.5 VDC(VSF) at pin 28. It supplies the VCO, VCO modulation bias circuit (via R5322) and the synthesizer charge pump resistor network (R5251, R5252). The synthesizer supply voltage is provided by the 5V regulator U5211.

In order to generate a high voltage to supply the phase detector (charge pump) output stage at pin 47 VCP (U5201-47), a voltage of 13 VDC is being generated by the positive voltage multiplier circuitry (D5201, C5202, C5203). This voltage multiplier is basically a diode capacitor network driven by two (1.05MHz) 180 degrees out of phase signals (U5201-14 and -15).

Output LOCK (U5201-4) provides information about the lock status of the synthesizer loop. A high level at this output indicates a stable loop. IC U5201 provides the 16.8 MHz reference frequency at pin 19.

The serial interface (SRL) is connected to the microprocessor via the data line DATA (U5201-7), clock line CLK (U5201-8), and chip enable line CSX (U5201-9).

4.3 Voltage Controlled Oscillator (VCO)

The Voltage Controlled Oscillator (VCO) consists of the VCO/Buffer IC (VCOBIC, U5301), the TX and RX tank circuits, the external RX buffer stages, and the modulation circuitry.

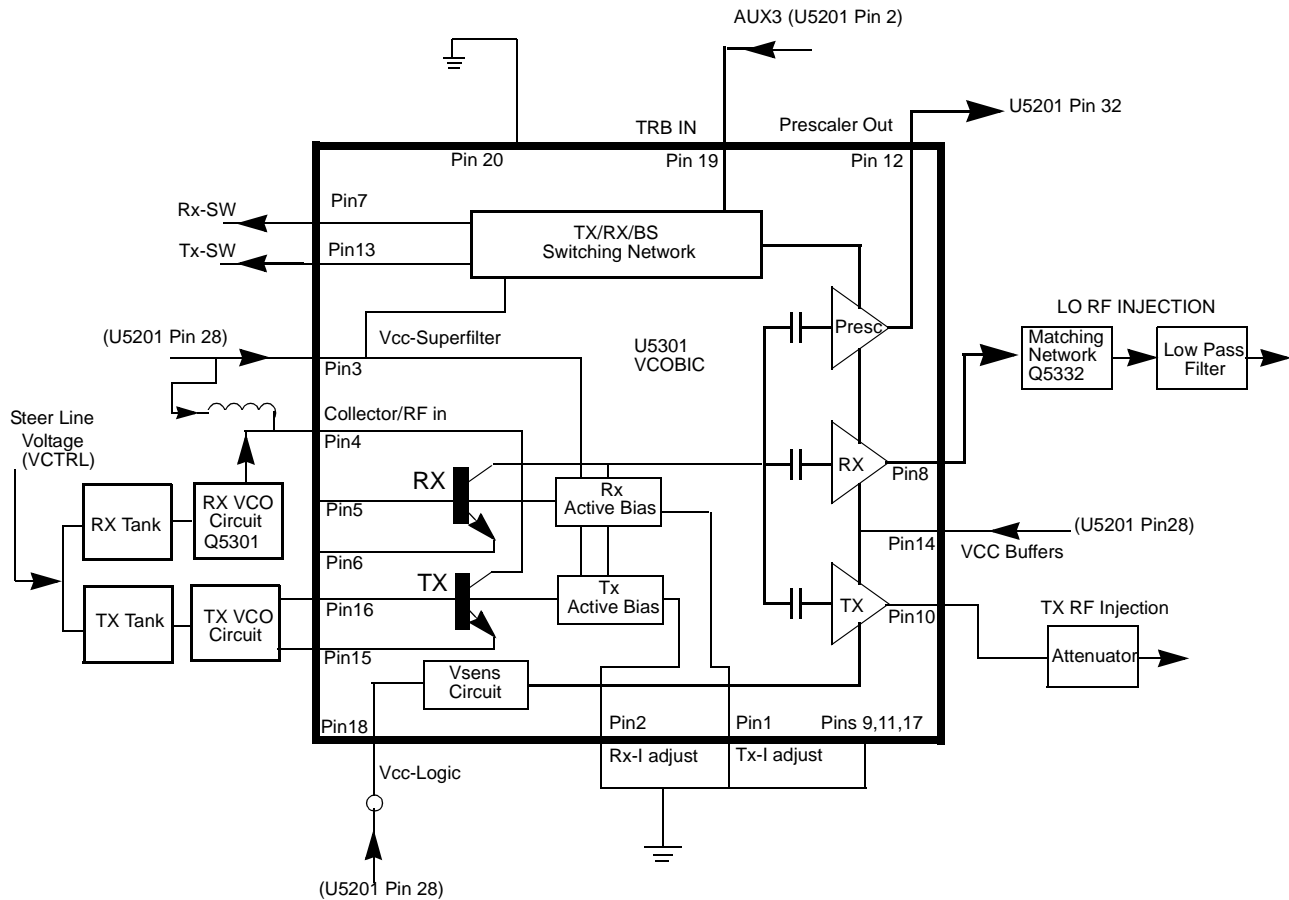


Figure 2-4 UHF VCO Block Diagram

The VCOBIC together with Fractional-N synthesizer (U5201) generates the required frequencies in both transmit and receive modes. The TRB line (U5301 pin 19) determines which tank circuits and internal buffers are to be enabled. A high level on TRB enables TX tank and TX output (pin 10), and a low enables RX tank and RX output (pin 8). A sample of the signal from the enabled output is routed from U5301 pin 12 (PRESC_OUT), via a low pass filter, to pin 32 of U5201 (PREIN).

A steering line voltage (VCTRL) between 3.0V and 10.0V at varactor diode CR5311 will tune the full TX frequency range (TXINJ) from 450 MHz to 527 MHz, and at varactor diodes CR5301, CR5302 and CR5303 will tune the full RX frequency range (RXINJ) from 405 MHz to 482 MHz. The tank circuits use the Hartley configuration for wider bandwidth. For the RX tank circuit, an external transistor Q5301 is used in conjunction with the internal transistor for better side-band noise. Similarly, an external transistor Q5311 is used in the Tx tank circuit.

The external RX buffers (Q5332) are enabled by a high at U5201 pin 3 (AUX4) via transistor switch Q5333. In TX mode the modulation signal (VCOMOD) from the LVFRAC-N synthesizer IC (U5201 pin41) is applied modulation circuitry CR5321, R5321, R5322 and C5324, which modulates the TX VCO frequency via coupling capacitor C5321. Varactor CR5321 is biased for linearity from VSF.

4.4 Synthesizer Operation

The complete synthesizer subsystem comprises mainly of low voltage FRAC-N (LVFRACN) IC, Reference Oscillator (crystal oscillator with temperature compensation), charge pump circuitry, loop filter circuitry and DC supply. The output signal PRESC_OUT of the VCOBIC (U5301 pin 12) is fed to pin 32 of U5201 (PREIN) via a low pass filter (C5229, L5225) which attenuates harmonics and provides the correct level to close the synthesizer loop.

The pre-scaler in the synthesizer (U5201) is basically a dual modulus pre-scaler with selectable divider ratios. This divider ratio of the pre-scaler is controlled by the loop divider, which in turn receives its inputs via the SRL. The output of the pre-scaler is applied to the loop divider. The output of the loop divider is connected to the phase detector, which compares the loop divider's output signal with the reference signal. The reference signal is generated by dividing down the signal of the reference oscillator (Y5261 or Y5262).

The output signal of the phase detector is a pulsed DC signal which is routed to the charge pump. The charge pump outputs a current at pin 43 of U5201 (IOUT). The loop filter (which consists of R5221-R5223, C5221-C5225, L5221) transforms this current into a voltage that is applied to the varactor diodes CR5311 for transmit, CR5301, CR5302 & CR5303 for receive and alters the output frequency of the VCO. The current can be set to a value fixed in the LVFRAC-N IC or to a value determined by the currents flowing into BIAS 1 (U5201-40) or BIAS 2 (U5201-39). The currents are set by the value of R5251 or R5252 respectively. The selection of the three different bias sources is done by software programming.

To reduce synthesizer lock time when new frequency data has been loaded into the synthesizer the magnitude of the loop current is increased by enabling the IADAPT (U5201-45) for a certain software programmable time (Adapt Mode). The adapt mode timer is started by a low to high transient of the CSX line. When the synthesizer is within the lock range the current is determined only by the resistors connected to BIAS 1, BIAS 2, or the internal current source. A settled synthesizer loop is indicated by a high level of signal LOCK (U5201-4).

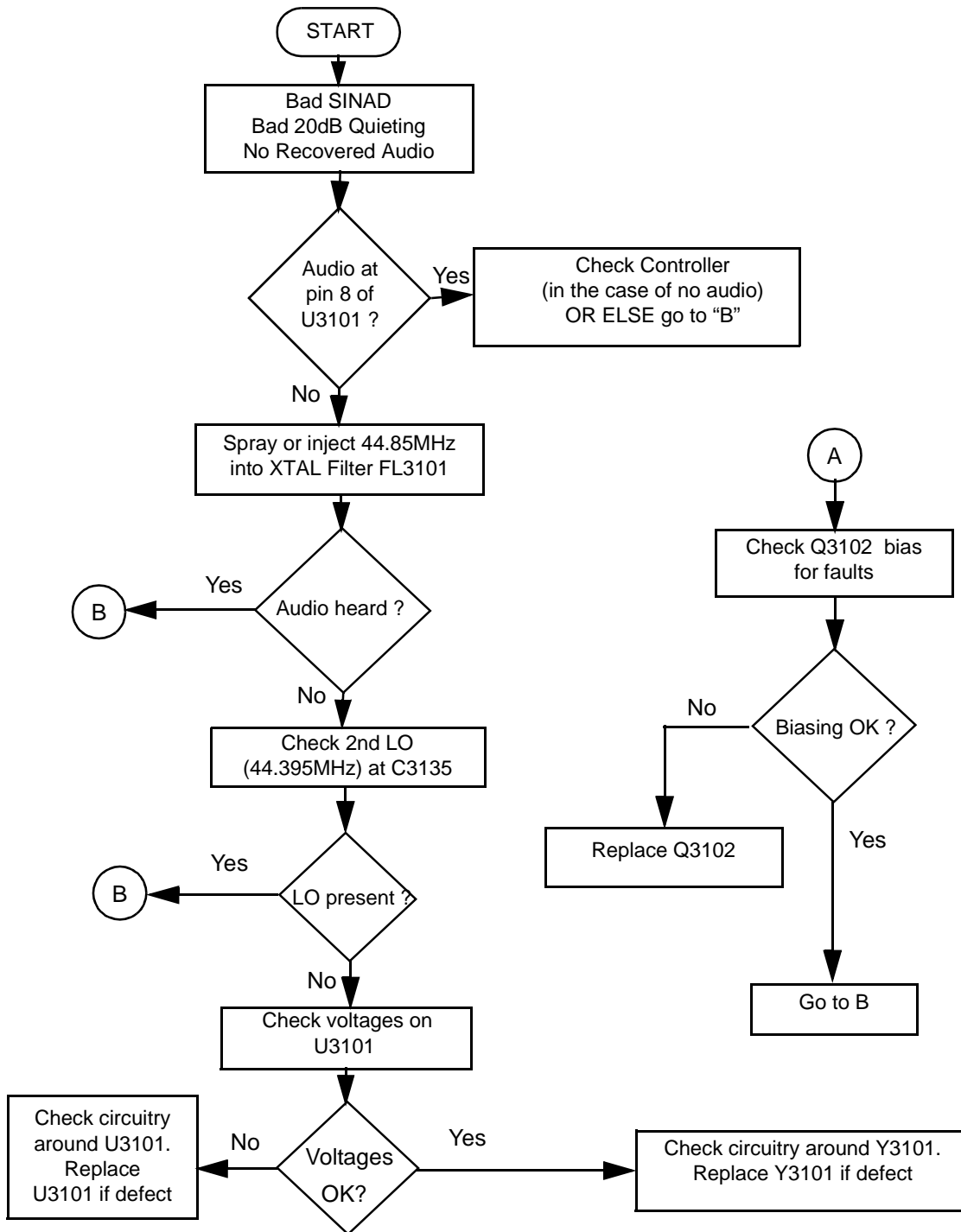
The LOCK (U5201-4) signal is routed to one of the μP 's ADCs input U101-56. From the voltage the μP determines whether LOCK is active. In order to modulate the PLL the two spot modulation method is utilized. Via pin 10 (MODIN) on U5201 the audio signal is applied to both the A/D converter (low freq path) as well as the balance attenuator (high freq path). The A/D converter converts the low frequency analogue modulating signal into a digital code that is applied to the loop divider, thereby causing the carrier to deviate. The balance attenuator is used to adjust the VCO's deviation sensitivity to high frequency modulating signals. The output of the balance attenuator is present at the MODOUT port (U5201-41) and connected to the VCO modulation diode CR5321 via R5321, C5325.

THIS PAGE INTENTIONALLY LEFT BLANK

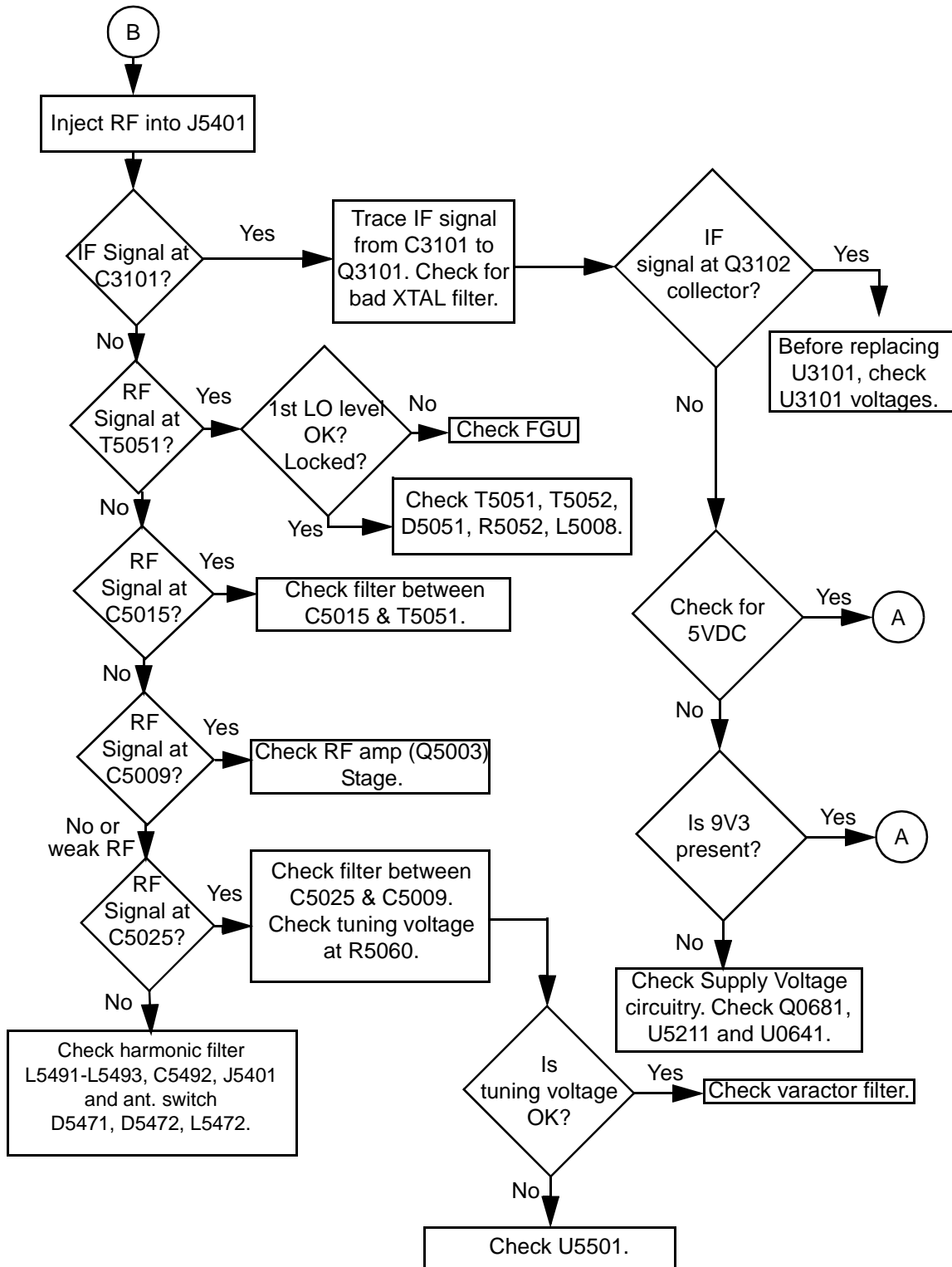
Section 3

TROUBLESHOOTING CHARTS

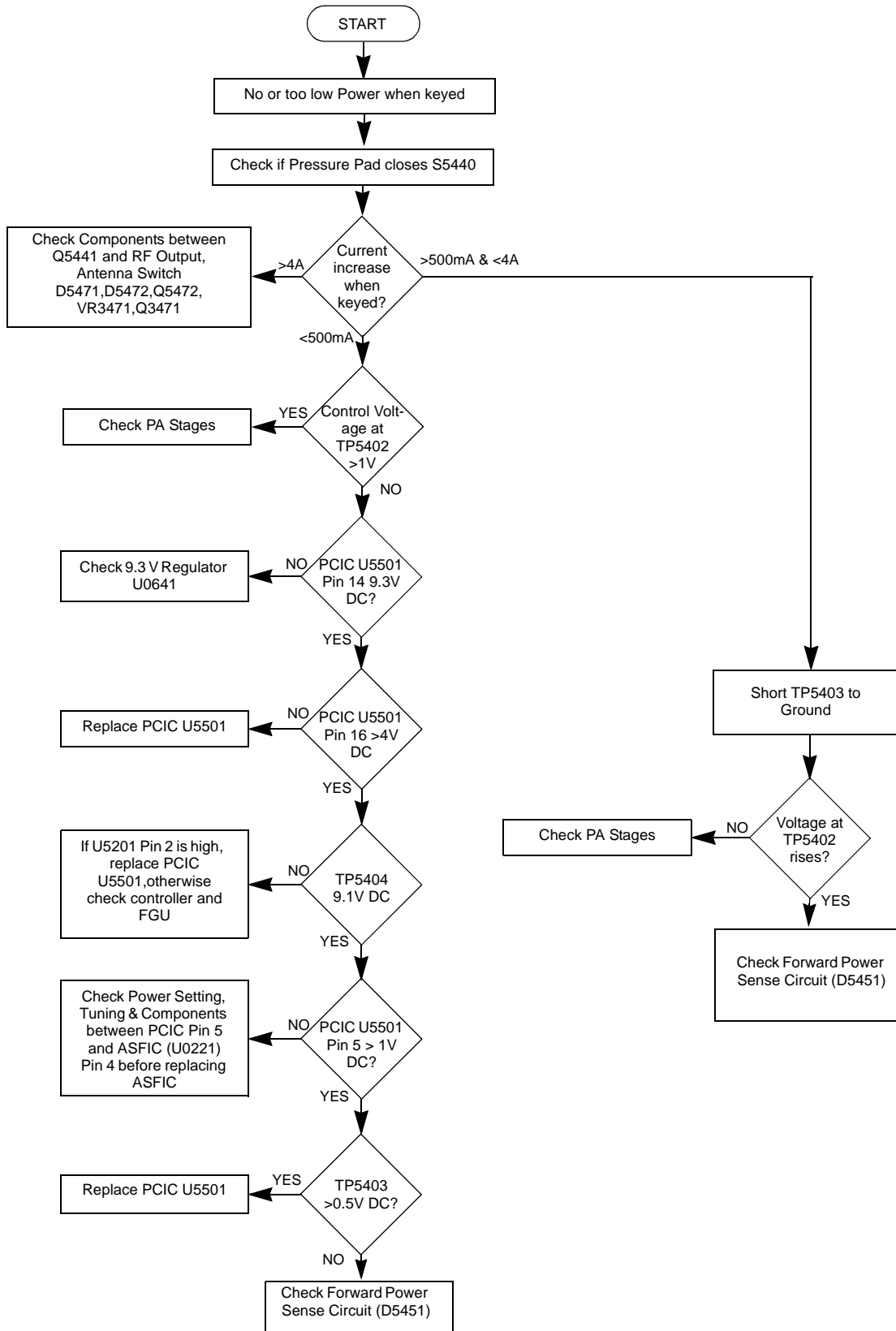
1.0 Troubleshooting Flow Chart for Receiver (Sheet 1 of 2)



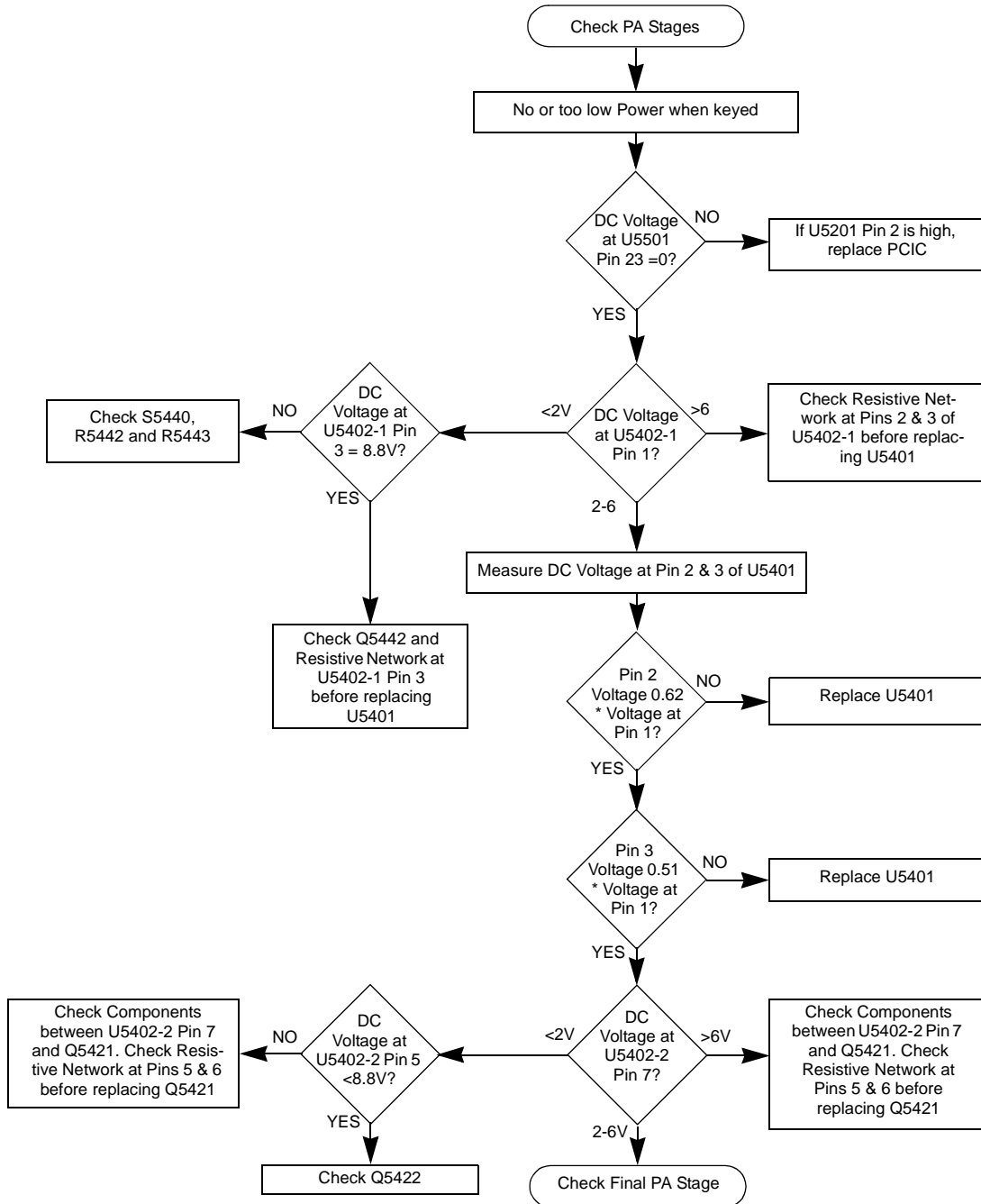
1.1 Troubleshooting Flow Chart for Receiver (Sheet 2 of 2)



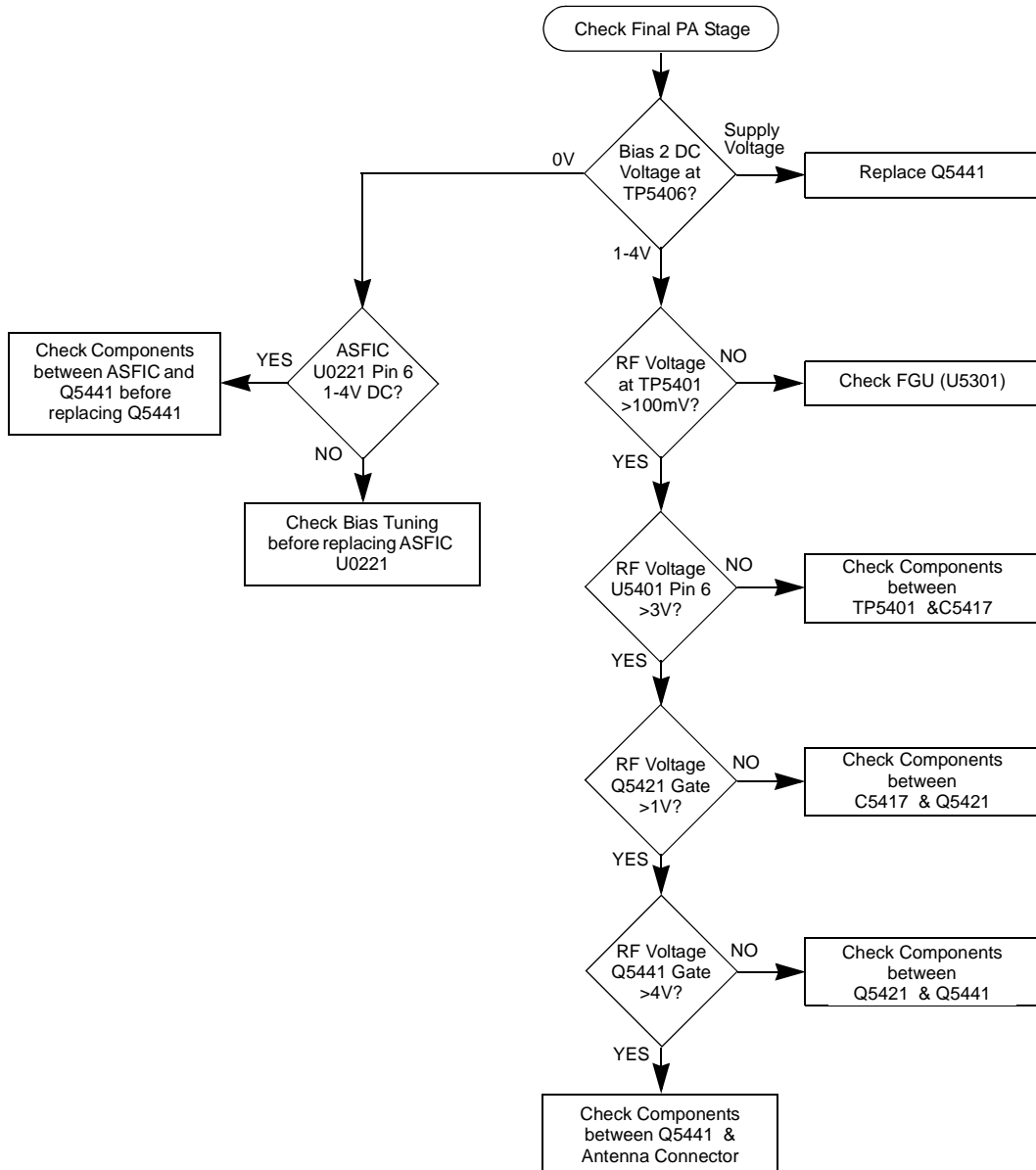
2.0 Troubleshooting Flow Chart for 25W Transmitter (Sheet 1 of 3)



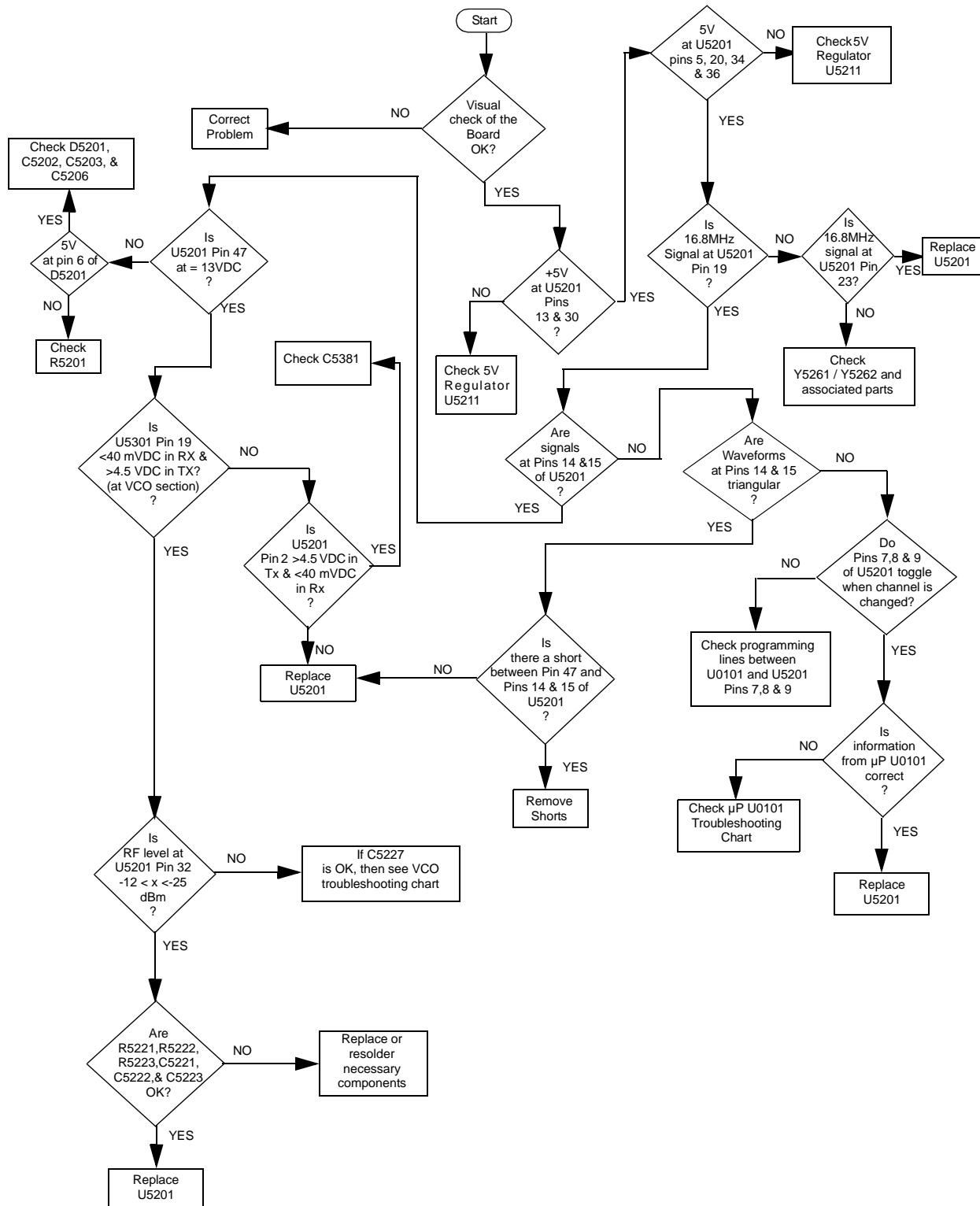
2.1 Troubleshooting Flow Chart for 25W Transmitter (Sheet 2 of 3)



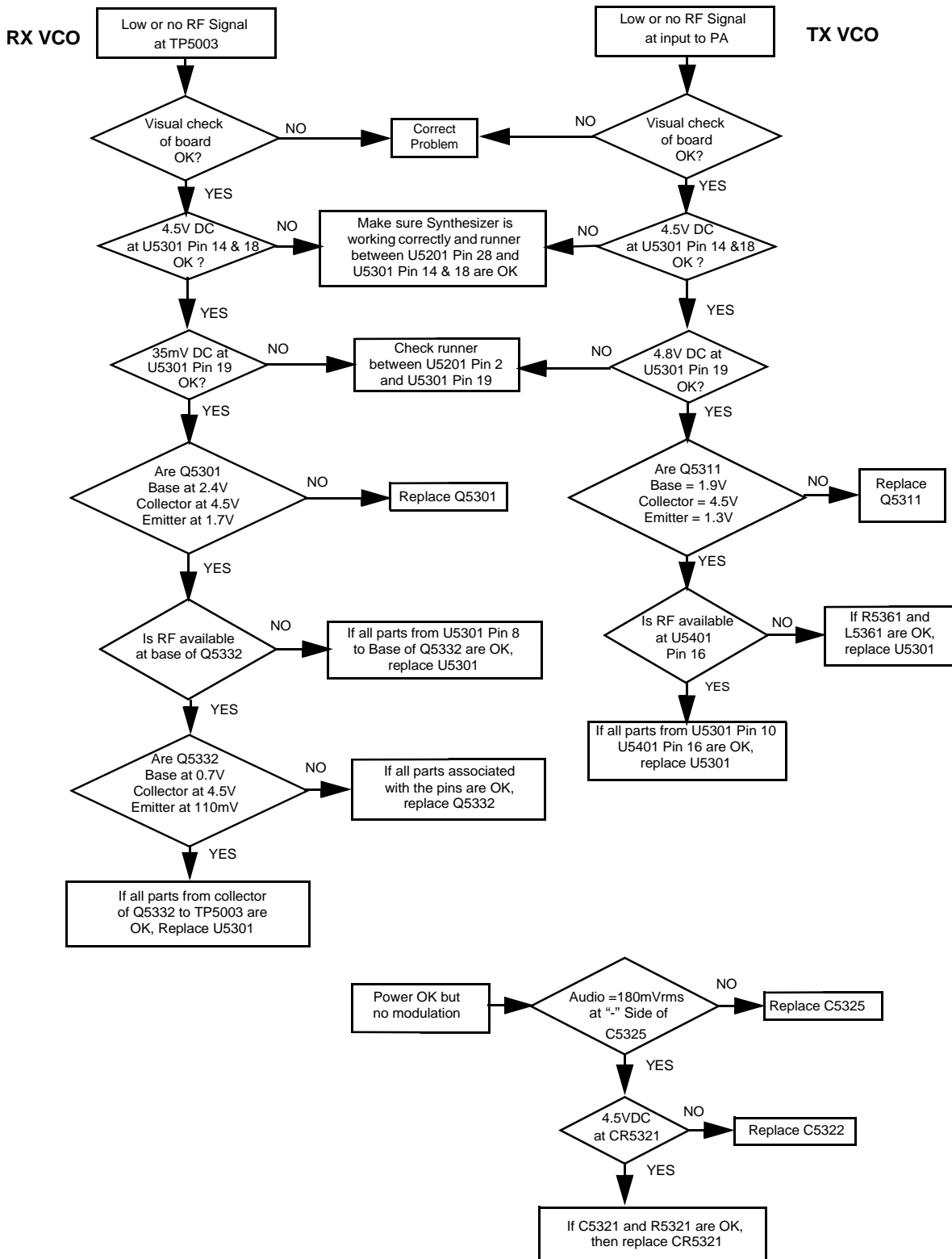
2.2 Troubleshooting Flow Chart for 25W Transmitter (Sheet 3 of 3)



3.0 Troubleshooting Flow Chart for Synthesizer



4.0 Troubleshooting Flow Chart for VCO



THIS PAGE INTENTIONALLY LEFT BLANK

Section 4

UHF PCB/SCHEMATICS/PARTS LISTS

1.0 Allocation of Schematics and Circuit Boards

1.1 Controller Circuits

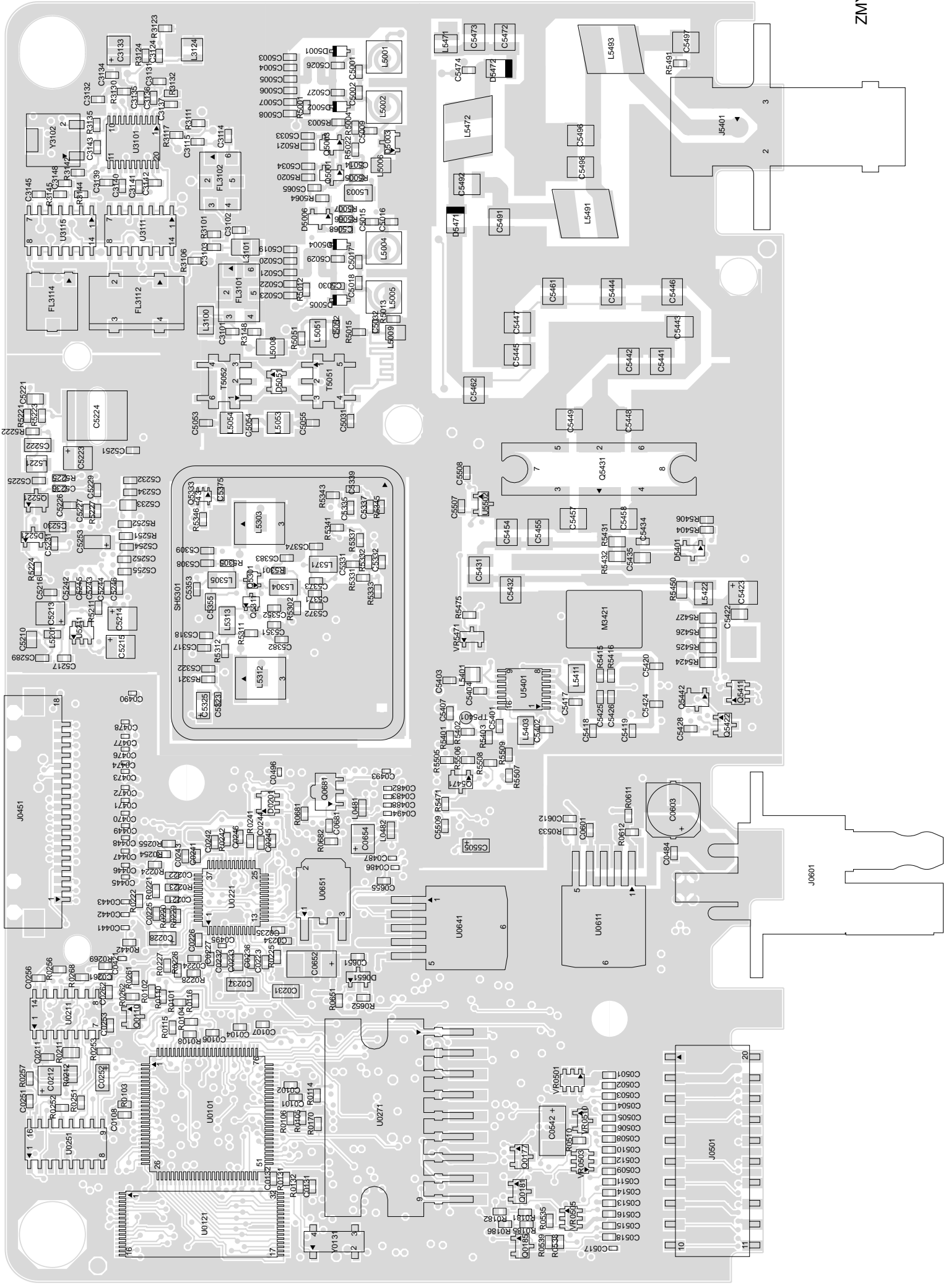
The UHF circuits are contained on the Printed Circuit Board (PCB) which also contains the Controller circuits. This Chapter shows the schematics for the UHF circuits only, refer to the Controller section for details of the related Controller circuits . The PCB component layouts and the Parts Lists in this Chapter show both the Controller and UHF circuit components. The UHF schematics and the related PCB and parts list are shown in the tables below.

Table 4-1 UHF 1-25W Diagrams and Parts Lists

PCB : 8485671Z03 Main Board Top Side 8485671Z03 Main Board Bottom Side	Page 4-3 Page 4-4
SCHEMATICS Power Amplifier 1 - 25W FRACN Voltage Controlled Oscillator Receiver Front End IF	Page 4-5 Page 4-6 Page 4-7 Page 4-8 Page 4-9
Parts List 8485671Z03	Page 4-10

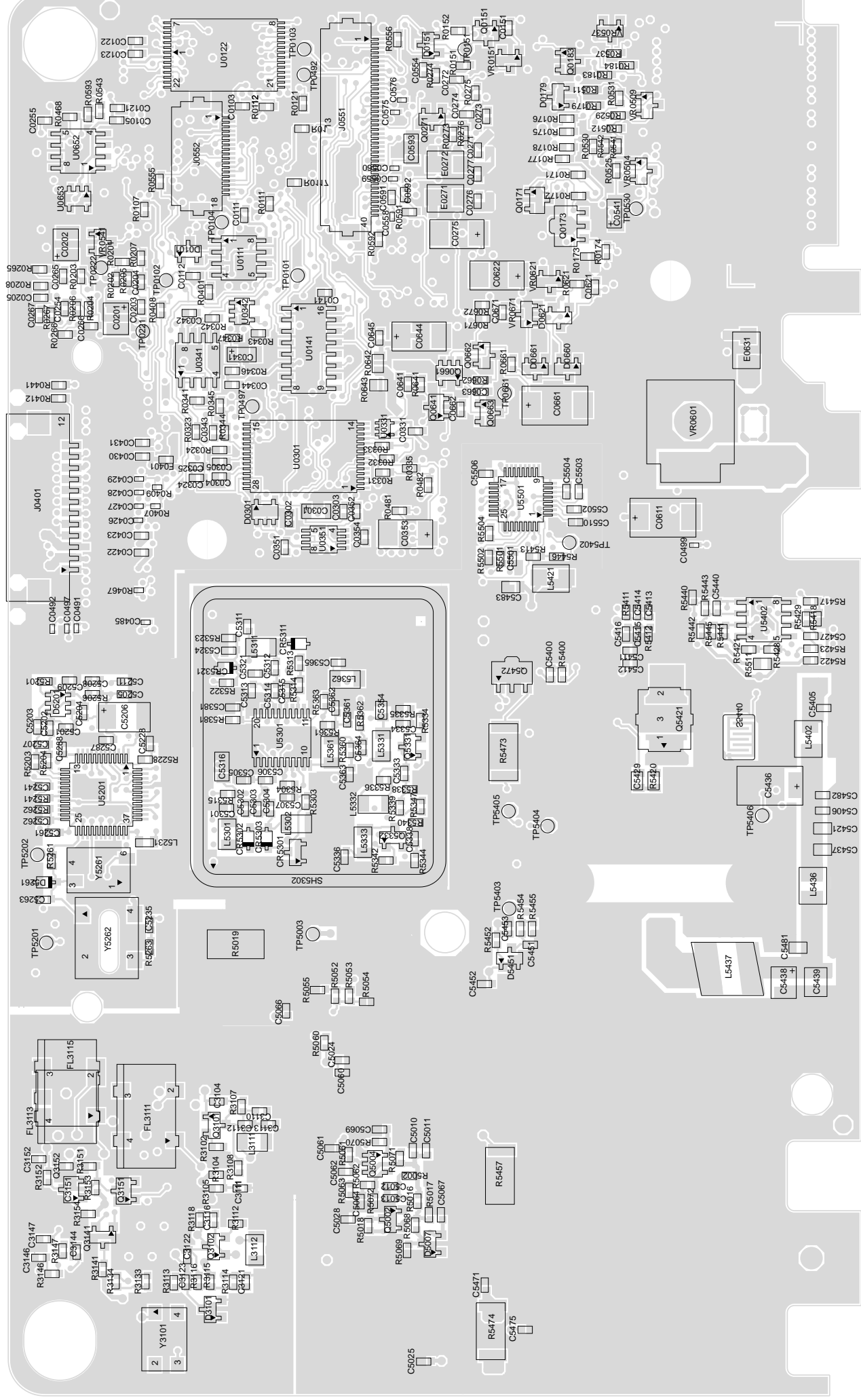
THIS PAGE INTENTIONALLY LEFT BLANK

2.0 UHF Band 2 1-25W PCBs / Schematics / Parts List



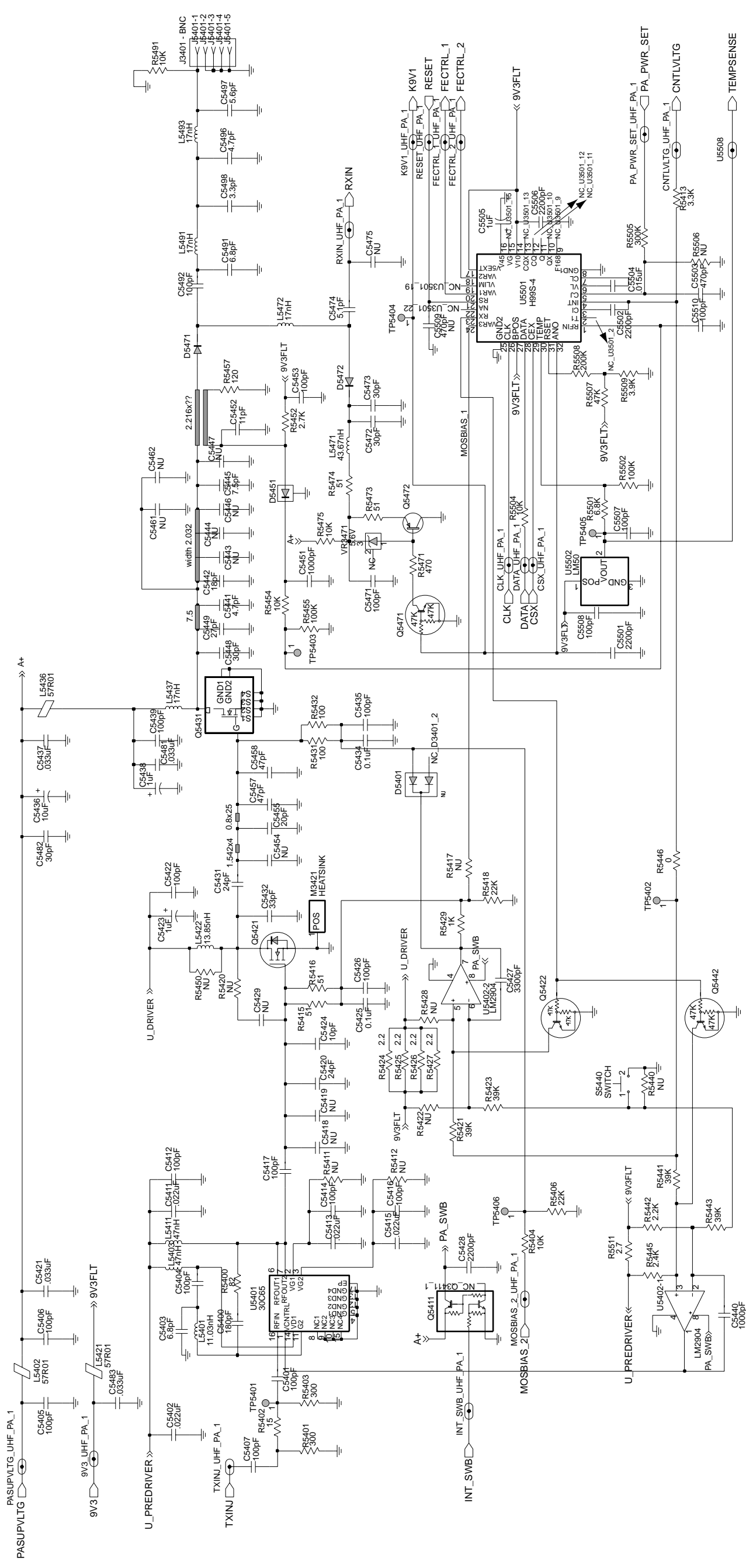
ZMY0130677-O

UHF Band 2 (450-527 MHz) 1-25W 8485671Z03 Top Side



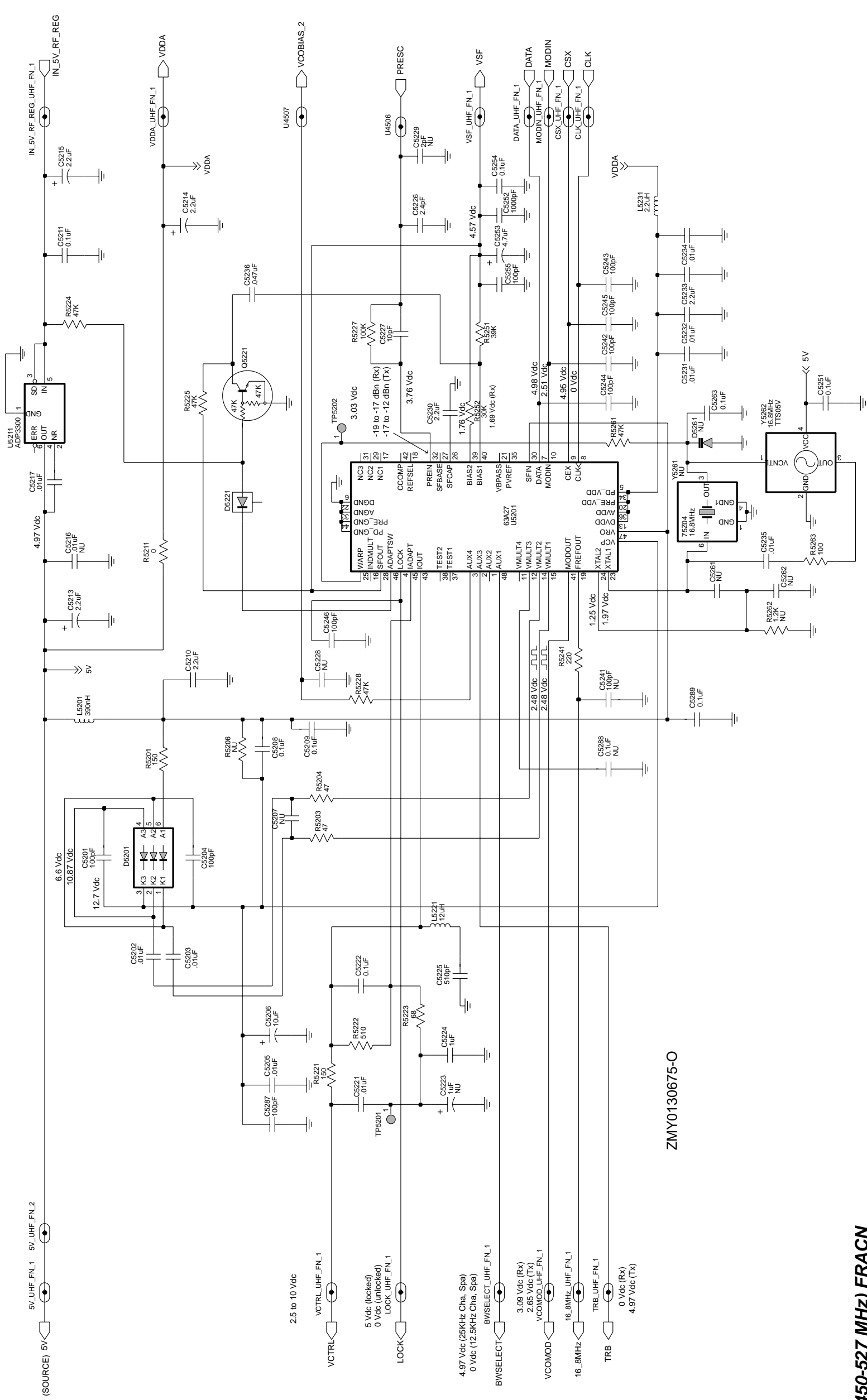
ZMY0130678-D

UHF Band 2 (450-527 MHz) 1-25W 8485671Z03 Bottom Side



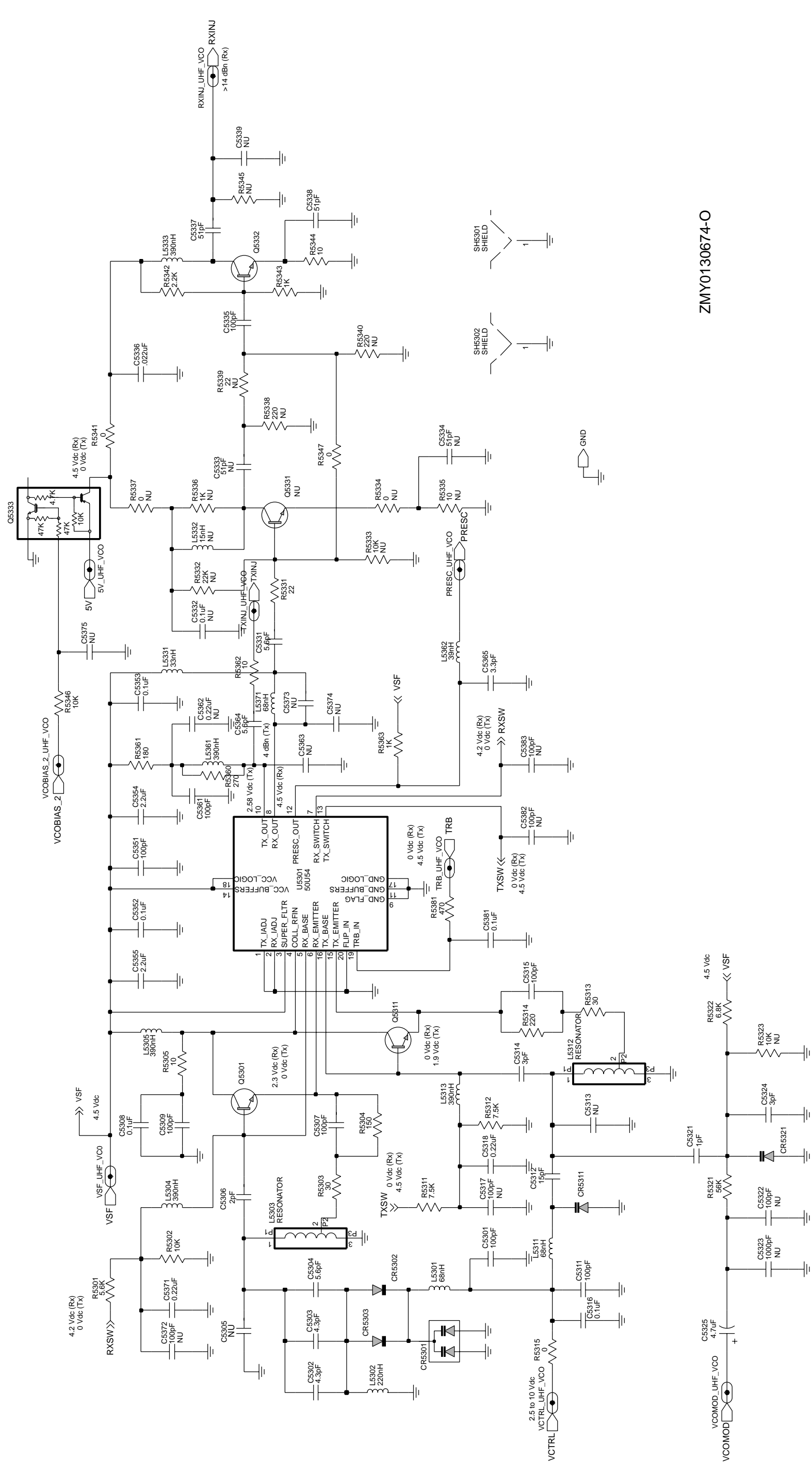
ZMY0130676-O

UHF Band 2 (450-527 MHz) Power Amplifier 1 - 25W



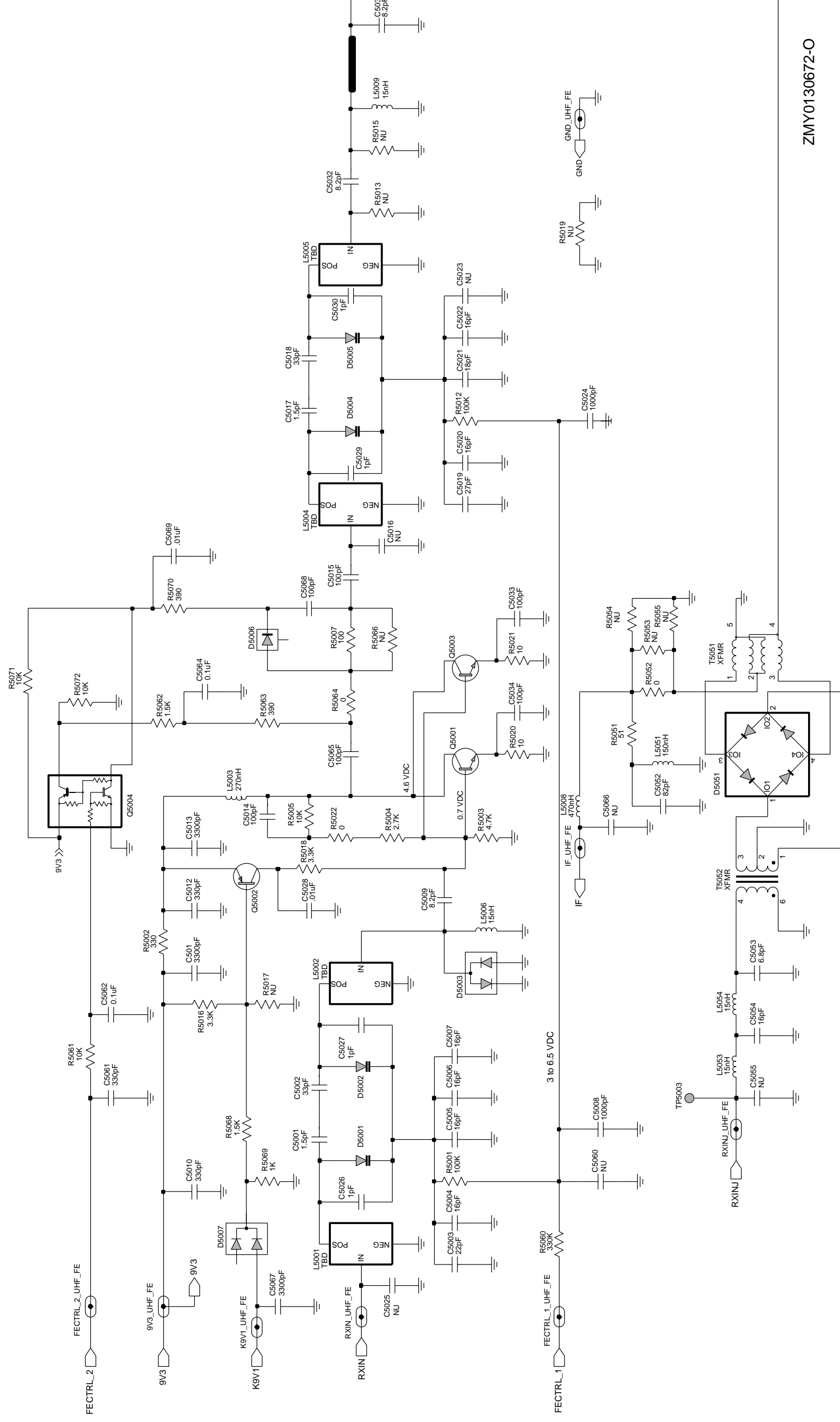
ZMY0130675-O

HF Band 2 (450-527 MHz) FRACN

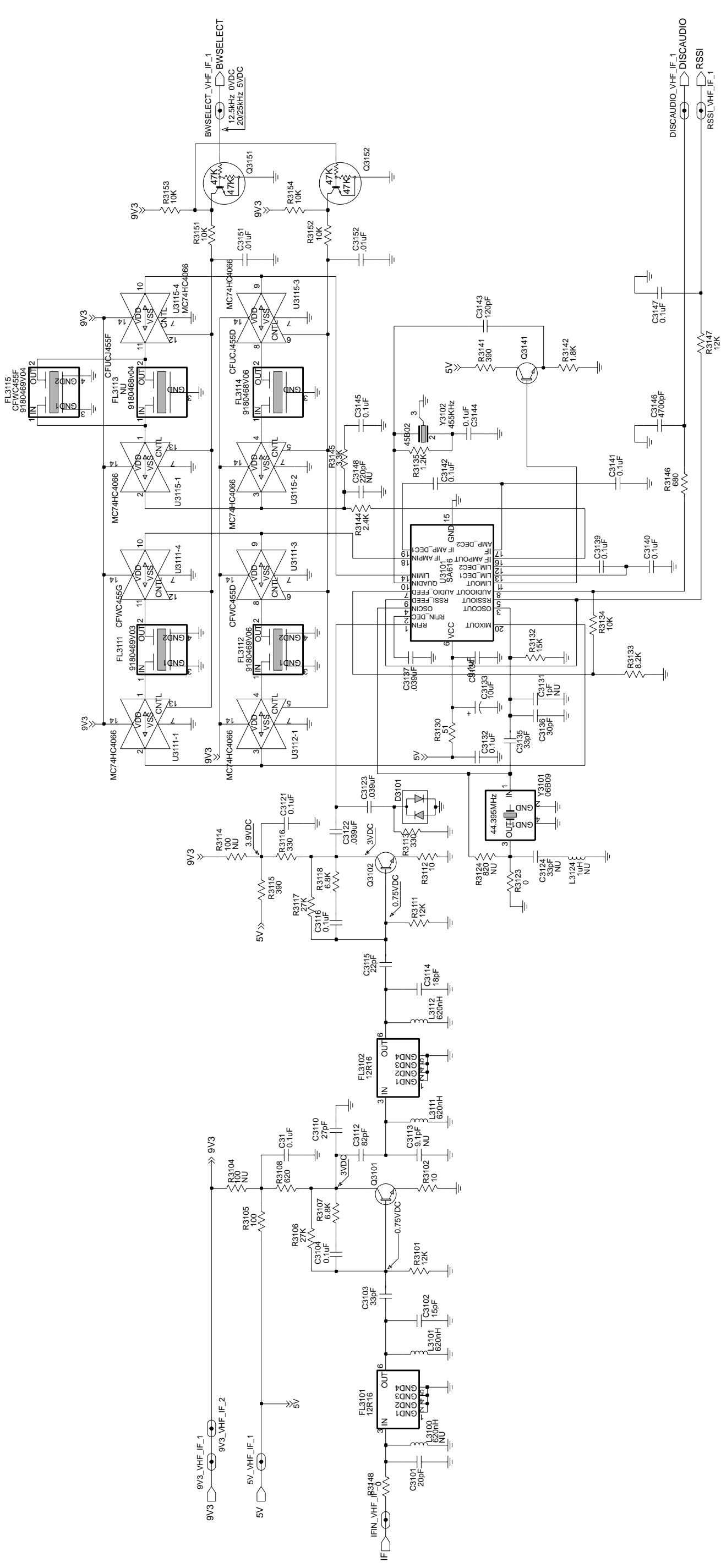


ZMY0130674-O

UHF Band 2 (450-527 MHz) Voltage Controlled Oscillator



UHF Band 2 (450-527 MHz) Receiver Front End



ZMY0130673-O

UHF Band 2 (450-527 MHz) IF

UHF Band 2 PCB 8485671Z03 Parts List 1-25W

Circuit Ref	Motorola Part No.	Description
C0101	2113740F51	100pF
C0107	2113741F25	1000pF
C0112	2113743E20	0.1uF
C0121	2113743E20	0.1uF
C0122	2113743E20	0.1uF
C0131	2113740F35	22pF
C0132	2113740F35	22pF
C0141	2113743E20	0.1uF
C0151	2113741F49	10nF
C0201	2311049A57	10uF
C0202	2311049A57	10uF
C0204	2113743E20	0.1uF
C0212	2311049A57	10uF
C0221	2113743E20	0.1uF
C0222	2113743E20	0.1uF
C0223	2113740F51	100pF
C0224	2113743E20	0.1uF
C0225	2113743E20	0.1uF
C0226	2113743E20	0.1uF
C0228	2311049A56	4.7uF
C0231	2113743B29	1uF
C0232	2113743E20	0.1uF
C0234	2113743E20	0.1uF
C0235	2113743E07	0.022uF
C0236	2113743E10	0.033uF
C0241	2113743E20	0.1uF
C0243	2113740F51	100pF
C0244	2113743E20	0.1uF
C0245	2113743E20	0.1uF
C0246	2113741F49	10nF
C0251	2113743E20	0.1uF
C0252	2311049A07	1uF
C0254	2113743E20	0.1uF
C0255	2113743E20	0.1uF
C0256	2113740F51	100pF
C0261	2113743E20	0.1uF
C0262	2113740F49	82pF
C0265	2113743E20	0.1uF
C0267	2113741F49	10nF
C0271	2113741F49	10nF
C0272	2113743E20	0.1uF
C0273	2113741F37	3300pF
C0275	2311049A99	47uF
C0276	2113741F25	1000pF
C0277	2113741F25	1000pF
C0301	2311049A07	1uF
C0302	2113743E20	0.1uF
C0303	2113740F51	100pF
C0304	2113743E20	0.1uF
C0305	2113743E20	0.1uF

Circuit Ref	Motorola Part No.	Description
C0502	2113741F17	470pF
C0503	2113741F17	470pF
C0504	2113741F17	470pF
C0505	2113741F17	470pF
C0506	2113741F17	470pF
C0508	2113741F17	470pF
C0509	2113741F17	470pF
C0510	2113741F17	470pF
C0511	2113741F17	470pF
C0512	2113741F17	470pF
C0513	2113741F17	470pF
C0514	2113741F17	470pF
C0515	2113741F17	470pF
C0516	2113741F49	10nF
C0517	2113743N48	82pF
C0518	2113741F17	470pF
C0541	2311049A05	0.47uF
C0542	2311049A99	47uF
C0560	2113743L17	1000pF
C0591	2113743E20	0.1uF
C0592	2113743E20	0.1uF
C0593	2113741B69	0.1uF
C0601	2113741F17	470pF
C0603	2380090M24	10uF
C0611	2311049C06	22uF
C0612	2113743E20	0.1uF
C0622	2311049A99	47uF
C0641	2113741F17	470pF
C0644	2311049A97	33uF
C0645	2113743E20	0.1uF
C0652	2311049A97	33uF
C0654	2311049A57	10uF
C0655	2113743E20	0.1uF
C0661	2311049C05	47uF
C0662	2113741F49	10nF
C0663	2113743E20	0.1uF
C0671	2113743E20	0.1uF
C0681	2113743E20	0.1uF
C3101	2113740F34	20pF
C3102	2113740F31	15pF
C3103	2113740F39	33pF
C3104	2113743E20	0.1uF
C3110	2113740F37	27pF
C3111	2113743E20	0.1uF
C3112	2113740F49	82pF
C3114	2113740F33	18pF
C3115	2113740F35	22pF
C3116	2113743E20	0.1uF
C3121	2113743E20	0.1uF
C3122	2113743E11	0.039uF
C3123	2113743E11	0.039uF

Circuit Ref	Motorola Part No.	Description
C3132	2113743E20	0.1uF
C3133	2311049A57	10uF
C3134	2113743E20	0.1uF
C3135	2113740L30	33pF
C3136	2113740L29	30pF
C3137	2113743E11	0.039uF
C3139	2113743E20	0.1uF
C3140	2113743E20	0.1uF
C3141	2113743E20	0.1uF
C3142	2113743E20	0.1uF
C3143	2113740F53	120pF
C3144	2113743E20	0.1uF
C3145	2113743E20	0.1uF
C3146	2113741F41	4700pF
C3147	2113743E20	0.1uF
C3151	2113741F49	10nF
C3152	2113741F49	10nF
C5001	2113740F07	1.5pF
C5002	2113740F39	33pF
C5003	2113740F35	22pF
C5004	2113740F32	16pF
C5005	2113740F32	16pF
C5006	2113740F32	16pF
C5007	2113740F32	16pF
C5008	2113741F25	1000pF
C5009	2113740F25	8.2pF
C5010	2113741F13	330pF
C5011	2113741F37	3300pF
C5012	2113741F13	330pF
C5013	2113741F37	3300pF
C5014	2113740F51	100pF
C5015	2113740F51	100pF
C5017	2113740F07	1.5pF
C5018	2113740F39	33pF
C5019	2113740F37	27pF
C5020	2113740F32	16pF
C5021	2113740F33	18pF
C5022	2113740F32	16pF
C5024	2113741F25	1000pF
C5026	2113740F03	1pF
C5027	2113740F03	1pF
C5028	2113741F49	10nF
C5029	2113740F03	1pF
C5030	2113740F03	1pF
C5031	2113740F25	8.2pF
C5032	2113740F25	8.2pF
C5033	2113740F51	100pF
C5034	2113740F51	100pF
C5052	2113740F49	82pF
C5053	2113740F23	6.8pF
C5054	2113740F32	16pF

Circuit Ref	Motorola Part No.	Description
C5061	2113740F63	330pF
C5062	2113743E20	0.1uF
C5064	2113743E20	0.1uF
C5065	2113740F51	100pF
C5067	2113741F37	3300pF
C5068	2113740F51	100pF
C5069	2113741F49	10nF
C5201	2113740F51	100pF
C5202	2113741F49	10nF
C5203	2113741F49	10nF
C5204	2113740F51	100pF
C5205	2113741F49	10nF
C5206	2311049J25	10uF
C5208	2113743E20	0.1uF
C5209	2113743E20	0.1uF
C5210	2104993J02	2.2uF
C5211	2113743E20	0.1uF
C5213	2311049A09	2.2uF
C5214	2311049A09	2.2uF
C5215	2311049A09	2.2uF
C5217	2113741F49	10nF
C5221	2109720D01	0.01uF
C5222	2109720D14	0.1uF
C5224	0882422W23	1uF
C5225	2113741F18	510pF
C5227	2113740F27	10pF
C5230	2104993J02	2.2uF
C5231	2113741F49	10nF
C5232	2113741F49	10nF
C5233	2104993J02	2.2uF
C5234	2113741F49	10nF
C5235	2113741F49	10nF
C5236	2113743E12	0.047uF
C5242	2113740F51	100pF
C5243	2113740F51	100pF
C5244	2113740F51	100pF
C5245	2113740F51	100pF
C5246	2113740F51	100pF
C5251	2113743E20	0.1uF
C5252	2113741F25	1000pF
C5253	2311049A56	4.7uF
C5254	2113743E20	0.1uF
C5255	2113740F51	100pF
C5263	2113743E20	0.1uF
C5287	2113740F51	100pF
C5289	2113743E20	0.1uF
C5301	2113740F51	100pF
C5302	2113740L09	4.3pF
C5303	2113740L09	4.3pF
C5304	2113740L12	5.6pF
C5306	2113740L01	2pF

Circuit Ref	Motorola Part No.	Description
C5307	2113740F51	100pF
C5308	2113743E20	0.1uF
C5309	2113740F51	100pF
C5311	2113740F51	100pF
C5312	2113740F33	18pF
C5314	2113740L01	2pF
C5315	2113740F51	100pF
C5316	2109720D14	0.1uF
C5318	2113743E20	0.1uF
C5321	2113740F03	1pF
C5324	2113740F07	1.5pF
C5325	2311049A56	4.7uF
C5331	2113740L12	5.6pF
C5335	2113740F51	100pF
C5336	2113743E07	0.022uF
C5337	2113740F44	51pF
C5338	2113740F44	51pF
C5351	2113740F51	100pF
C5352	2113743E20	0.1uF
C5353	2113743E20	0.1uF
C5354	2104993J02	2.2uF
C5355	2104993J02	2.2uF
C5361	2113740F51	100pF
C5364	0662057B47	0
C5371	2113743E20	0.1uF
C5381	2113743E20	0.1uF
C5400	2113740F57	180pF
C5401	2113740F51	100pF
C5402	2113743E07	0.022uF
C5403	2113740F23	6.8pF
C5404	2113740F51	100pF
C5405	2113740F51	100pF
C5406	2113740F51	100pF
C5407	2113740F51	100pF
C5411	2113743E07	0.022uF
C5412	2113740F51	100pF
C5413	2113743E07	0.022uF
C5414	2113740F51	100pF
C5415	2113743E07	0.022uF
C5416	2113740F51	100pF
C5417	2113740F51	100pF
C5420	2113740F36	24pF
C5421	2113741A57	0.033uF
C5422	2113740A55	100pF
C5423	2311049A08	1uF
C5424	2113740F27	10pF
C5425	2113743E20	0.1uF
C5426	2113740F51	100pF
C5427	2113741F37	3300pF
C5428	2113741F33	2200pF
C5431	2111078B25	27pF

Circuit Ref	Motorola Part No.	Description
C5432	2111078B29	33pF
C5434	2113743E20	0.1uF
C5435	2113740A55	100pF
C5436	2311049A45	10uF
C5437	2113741A57	0.033uF
C5438	2311049A08	1uF
C5439	2111078B42	100pF
C5440	2113741F25	1000pF
C5441	2111078B05	4.7pF
C5442	2111078B19	16pF
C5448	2111078B29	33pF
C5449	2111078B29	33pF
C5451	2113741F25	1000pF
C5452	2113740F28	11pF
C5453	2113740F51	100pF
C5454	2111078B01	3.3pF
C5455	2111078B19	16pF
C5457	2111078B34	47pF
C5458	2111078B35	51pF
C5461	2111078B11	8.2pF
C5471	2113740F51	100pF
C5472	2111078B27	30pF
C5473	2111078B27	30pF
C5474	2113740F18	4.3pF
C5475	2113740F10	2pF
C5481	2113741A57	0.033uF
C5482	2113740F38	30pF
C5483	2113741A57	0.033uF
C5491	2111078B09	6.8pF
C5492	2111078B42	100pF
C5496	2111078B05	4.7pF
C5497	2111078B01	3.3pF
C5498	2111078B01	3.3pF
C5501	2113741F33	2200pF
C5502	2113741F33	2200pF
C5503	2113741F33	2200pF
C5504	2113741F46	7500pF
C5505	2311049A07	1uF
C5506	2113741F33	2200pF
C5507	2113740F51	100pF
C5508	2113740F51	100pF
C5510	2113740F51	100pF
CR5301	4805649Q13	DIODE VCTR ISV 228
CR5302	4862824C01	DIODE VARACTOR
CR5303	4862824C01	DIODE VARACTOR
CR5311	4862824C01	DIODE VARACTOR
CR5321	4802245J22	DIODE, VARACTOR
D0101	4813825A05	DIODE
D0151	4813833C02	DIODE, DUAL 70V
D0179	4813833C02	DIODE, DUAL 70V
D0301	4802245J47	DIODE, SCHOTTKY

Circuit Ref	Motorola Part No.	Description
D0621	4813833C02	DIODE, DUAL 70V
D0651	4813833C02	DIODE, DUAL 70V
D0660	4813833C02	DIODE, DUAL 70V
D0661	4813833C02	DIODE, DUAL 70V
D3101	4880154K03	DIODE DUAL SCHOTTKY
D5001	4862824C01	DIODE VARACTOR
D5002	4862824C01	DIODE VARACTOR
D5003	4880154K03	DIODE DUAL SCHOTTKY
D5004	4862824C01	DIODE VARACTOR
D5005	4862824C01	DIODE VARACTOR
D5006	4880142L01	DIODE
D5007	4813833C02	DIODE, DUAL 70V
D5051	4886143B01	DIODE, MIXER
D5201	4802233J09	DIODE, TRIPLE
D5221	4813825A05	DIODE
D5401	4813833C02	DIODE, DUAL 70V
D5451	4813825A05	DIODE
D5471	4802482J02	DIODE, SMD PIN
D5472	4802482J02	DIODE, SMD PIN
E0271	2484657R01	FERRITE BEAD
E0272	2484657R01	FERRITE BEAD
E0631	2484657R01	FERRITE BEAD
F0401	6580542Z01	FUSE 3A
FL3101	9180112R16	2 POLE 44.85 MHZ CRYSTAL FILTER
FL3102	9180112R16	2 POLE 44.85 MHZ CRYSTAL FILTER
FL3111	9180469V03	CERAMIC FILTER, 455KHZ
FL3112	9180469V06	CERAMIC FILTER, 455KHZ
FL3114	9180468V06	CERAMIC FILTER, 455KHZ
FL3115	9180469V04	CERAMIC FILTER, 455KHZ
J0401	0902636Y02	FLEX CONNECTOR
J0451	0902636Y01	FLEX CONNECTOR
J0501	0986105B01	ACCESSORY CONNECTOR
J0551	0905505Y04	FLEX CONNECTOR
J0552	0905505Y03	FLEX CONNECTOR
J0601	0986165B01	DC POWER CONNECTOR
J5401	0986166B01	RF CONNECTOR (BNC)
L3101	2462587T25	620nH
L3111	2462587T25	620nH
L3112	2462587T25	620nH
L5003	2462587T20	270nH
L5006	2462587V24	15nH
L5008	2462587T23	470nH
L5009	2462587V24	15nH
L5051	2462587T17	150nH
L5053	2462587N43	15nH
L5054	2462587N43	15nH
L5201	2462587Q42	390nH
L5221	2462587P25	12uH
L5231	2462587Q20	2.2uH

Circuit Ref	Motorola Part No.	Description
L5301	2462587T13	68nH
L5302	2462587T19	220nH
L5303	2460593C03	RESONATOR
L5304	2462587T22	390nH
L5305	2462587T22	390nH
L5311	2462587T22	390nH
L5312	2460593C03	RESONATOR
L5313	2462587T22	390nH
L5331	2462587T09	33nH
L5333	2462587T22	390nH
L5361	2462587T22	390nH
L5362	2462587T38	22nH
L5371	2462587T13	68nH
L5401	2460591B04	11.03nH
L5402	2484657R01	FERRITE BEAD
L5403	2462587T11	47nH
L5411	2462587T11	47nH
L5421	2484657R01	FERRITE BEAD
L5422	2460591C23	13.85nH
L5436	2484657R01	FERRITE BEAD
L5437	2460592A01	17nH
L5471	2460591N36	43.67nH
L5472	2460592A01	17nH
L5491	2460592A01	17nH
L5493	2460592A01	17nH
M3421	2686201B01	HEAT SPREADER
Q0110	4880048M01	NPN
Q0151	4880048M01	NPN
Q0171	4880048M01	NPN
Q0173	4880052M01	NPN DARLINGTON
Q0177	4880048M01	NPN
Q0181	4880048M01	NPN
Q0183	4880048M01	NPN
Q0185	4880048M01	NPN
Q0271	4880214G02	NPN
Q0641	4880048M01	NPN
Q0661	4805921T02	DUAL NPN/PNP
Q0662	4880214G02	NPN
Q0663	4880048M01	NPN
Q0681	4880052M01	NPN DARLINGTON
Q3101	4813827A07	NPN
Q3102	4813827A07	NPN
Q3141	4880214G02	NPN
Q3151	4880048M01	NPN
Q3152	4880048M01	NPN
Q5001	4813827A07	NPN
Q5002	4813824A17	PNP
Q5003	4813827A07	NPN
Q5004	4805921T02	DUAL NPN/PNP
Q5221	4880048M01	NPN
Q5301	4805218N63	DIODE DUAL SCHOTTKY

Circuit Ref	Motorola Part No.	Description
Q5311	4805218N63	DIODE DUAL SCHOTTKY
Q5332	4813827A07	NPN
Q5333	4802245J50	DUAL NPN/PNP
Q5411	4805921T02	DUAL NPN/PNP
Q5421	4886212B01	POWER TRANSISTOR - MRF1518
Q5422	4880048M01	NPN
Q5431	4886163B01	POWER TRANSISTOR - MRF1535
Q5442	4880048M01	NPN
Q5471	4880048M01	NPN
Q5472	4805128M27	PNP
R0101	0662057A73	10K
R0102	0662057A65	4.7K
R0103	0662057B47	0
R0104	0662057A73	10K
R0105	0662057A97	10K (used in GM338 only)
R0106	0662057B47	0 (used in GM398 only)
R0108	0662057A57	2.2K
R0111	0662057B47	0
R0113	0662057A73	10K
R0114	0662057A73	10K
R0115	0662057A73	10K
R0117	0662057A63	3.9K
R0121	0662057A97	100K
R0131	0662057B46	10M
R0132	0662057B10	330K
R0151	0662057A82	24K
R0152	0662057A82	24K
R0170	0662057A73	10K
R0171	0662057A65	4.7K
R0172	0662057A73	10K
R0173	0662057A65	4.7K
R0174	0662057A73	10K
R0175	0662057A73	10K
R0176	0662057A84	30K
R0177	0662057A65	4.7K
R0178	0662057A89	47K
R0179	0662057A89	47K
R0181	0662057A65	4.7K
R0182	0662057A89	47K
R0183	0662057A65	4.7K
R0184	0662057A89	47K
R0185	0662057A65	4.7K
R0186	0662057A89	47K
R0201	0662057A25	100
R0202	0662057A43	560
R0203	0662057A25	100
R0204	0662057A43	560
R0205	0662057A73	10K
R0206	0662057A73	10K

Circuit Ref	Motorola Part No.	Description
R0207	0662057A57	2.2K
R0208	0662057A57	2.2K
R0211	0660076E70	7.5K
R0212	0660076E70	7.5K
R0221	0662057A82	24K
R0222	0662057A82	24K
R0223	0662057A84	30K
R0224	0662057A71	8.2K
R0228	0662057B47	0
R0229	0662057A01	10
R0241	0662057A89	47K
R0242	0662057B47	0
R0251	0662057A89	47K
R0252	0662057A91	56K
R0253	0662057A97	100K
R0254	0662057A73	10K
R0255	0662057A73	10K
R0256	0662057A97	100K
R0257	0662057A57	2.2K
R0261	0662057A73	10K
R0262	0662057B08	270K
R0265	0662057A82	24K
R0267	0662057A89	47K
R0268	0662057A73	10K
R0269	0662057A41	470
R0273	0662057A82	24K
R0275	0662057A73	10K
R0276	0662057A77	15K
R0323	0662057A79	18K
R0324	0662057A79	18K
R0331	0662057A73	10K
R0332	0662057A73	10K
R0333	0662057A73	10K
R0335	0662057B02	150K
R0341	0662057A73	10K
R0342	0662057A55	1.8K
R0343	0662057B47	0
R0344	0662057A91	56K
R0345	0662057A66	5.1K
R0346	0662057A89	47K
R0347	0662057A89	47K
R0401	0662057A33	220
R0407	0662057M26	10
R0408	0662057A25	100
R0409	0662057M26	10
R0412	0662057B47	0
R0441	0662057B47	0
R0442	0662057A49	1K
R0467	0662057M26	10
R0468	0662057A97	100K
R0481	0662057B47	0

Circuit Ref	Motorola Part No.	Description
R0482	0662057B47	0
R0510	0662057A65	4.7K
R0511	0662057A97	100K
R0512	0662057A77	15K
R0525	0662057A97	100K
R0529	0662057A89	47K
R0530	0662057B47	0
R0531	0662057A43	560
R0533	0662057B47	0
R0535	0662057A49	1K
R0537	0662057A33	220
R0538	0662057A33	220
R0539	0662057A65	4.7K
R0541	0662057A83	27K
R0543	0662057A97	100K
R0555	0662057A25	100
R0556	0662057A25	100
R0591	0662057A82	24K
R0592	0662057A01	10
R0593	0662057A97	100K
R0611	0662057A91	56K
R0612	0662057A65	4.7K
R0621	0662057A82	24K
R0641	0662057A73	10K
R0642	0660076E70	7.5K
R0643	0660076E51	1.2K
R0651	0662057A01	10
R0652	0662057A01	10
R0661	0662057A49	1K
R0662	0662057B02	150K
R0671	0662057A84	30K
R0672	0662057A73	10K
R0681	0662057A79	18K
R0682	0662057A93	68K
R3101	0662057A75	12K
R3102	0662057A01	10
R3105	0662057A25	100
R3106	0662057A83	27K
R3107	0662057A69	6.8K
R3108	0662057A44	620
R3111	0662057A75	12K
R3112	0662057A01	10
R3113	0662057A37	330
R3115	0662057A39	390
R3116	0662057A37	330
R3117	0662057A83	27K
R3118	0662057A69	6.8K
R3123	0662057B47	0
R3130	0662057A18	51
R3132	0662057A77	15K
R3133	0662057A71	8.2K

Circuit Ref	Motorola Part No.	Description
R3134	0662057A73	10K
R3135	0662057A51	1.2K
R3141	0662057A39	390
R3142	0662057A55	1.8K
R3144	0662057A58	2.4K
R3145	0662057A61	3.3K
R3146	0662057A45	680
R3147	0662057A75	12K
R3148	0662057B47	0
R3151	0662057A73	10K
R3152	0662057A73	10K
R3153	0662057A73	10K
R3154	0662057A73	10K
R5001	0662057A97	100K
R5002	0662057A37	330
R5003	0662057A65	4.7K
R5004	0662057A59	2.7K
R5005	0662057A73	10K
R5007	0662057A25	100
R5012	0662057A97	100K
R5016	0662057A61	3.3K
R5018	0662057A61	3.3K
R5020	0662057A01	10
R5021	0662057A01	10
R5022	0662057B47	0
R5051	0662057A18	51
R5052	0662057B47	0
R5060	0662057B10	330K
R5061	0662057A73	10K
R5062	0662057A53	1.5K
R5063	0662057A39	390
R5064	0662057B47	0
R5068	0662057A53	1.5K
R5069	0662057A49	1K
R5070	0662057A39	390
R5071	0662057A73	10K
R5072	0662057A73	10K
R5201	0662057A29	150
R5203	0662057A17	47
R5204	0662057A17	47
R5211	0662057B47	0
R5221	0662057A29	150
R5222	0662057A42	510
R5223	0662057A21	68
R5224	0662057A89	47K
R5225	0662057A89	47K
R5228	0662057A89	47K
R5241	0662057A33	220
R5251	0662057A87	39K
R5252	0662057A84	30K
R5261	0662057A89	47K

Circuit Ref	Motorola Part No.	Description
R5263	0662057A25	100
R5301	0662057A67	5.6K
R5302	0662057A73	10K
R5303	0662057A12	30
R5304	0662057A29	150
R5305	0662057A01	10
R5311	0662057A70	7.5K
R5312	0662057A70	7.5K
R5313	0662057A12	30
R5314	0662057A33	220
R5315	0662057B47	0
R5321	0662057A91	56K
R5322	0662057A69	6.8K
R5323	0662057A97	100K
R5331	0662057A09	22
R5341	0662057B47	0
R5342	0662057A57	2.2K
R5343	0662057A49	1K
R5344	0662057A01	10
R5346	0662057A73	10K
R5347	0662057B47	0
R5361	0662057A31	180
R5362	0662057A01	10
R5363	0662057A49	1K
R5381	0662057A41	470
R5400	0662057A23	82
R5401	0662057A36	300
R5402	0662057A05	15
R5403	0662057A36	300
R5404	0662057A73	10K
R5406	0662057A81	22K
R5411	0662057A67	5.6K
R5413	0662057A61	3.3K
R5415	0662057A18	51
R5416	0662057A18	51
R5418	0662057A57	2.2K
R5421	0662057A86	36K
R5422	0662057A58	2.4K
R5423	0662057A87	39K
R5424	0662057C11	2.2
R5425	0662057C11	2.2
R5426	0662057C11	2.2
R5427	0662057C11	2.2
R5428	0662057A58	2.4K
R5429	0662057A49	1K
R5431	0662057C51	100
R5432	0662057C51	100
R5441	0662057A87	39K
R5442	0662057A57	2.2K
R5443	0662057A87	39K
R5445	0662057A58	2.4K

Circuit Ref	Motorola Part No.	Description
R5446	0662057B47	0
R5452	0662057A59	2.7K
R5454	0662057A73	10K
R5455	0662057A97	100K
R5457	0683962T51	120
R5471	0662057A41	470
R5473	0680194M18	51
R5474	0680194M18	51
R5475	0662057A73	10K
R5491	0662057A73	10K
R5501	0662057A69	6.8K
R5502	0662057A97	100K
R5504	0662057A73	10K
R5505	0662057B09	300K
R5507	0662057A89	47K
R5508	0662057B05	200K
R5509	0662057A63	3.9K
R5511	0662057C13	2.7
SH5301	2602641Y02	SHIELD
SH5302	2602641Y02	SHIELD
T5051	2505515V03	TRANSFORMER 4:1
T5052	2508397X02	TRANSFORMER 1:1
U0101	5102226J56	MICROPROCESSOR
U0111	5102463J64	EEPROM
U0121	5186137B01	IC, FLASH ROM
U0122	5185748L01	SRAM
U0141	5113805A30	REMUX
U0211	5183222M49	IC, QUAD OPAMP
U0221	5185130C53	IC, ASFIC
U0251	5184704M60	IC-CMOS ANALOG
U0271	5109699X01	AUDIO PA
U0301	5109152M01	EEPROM ANALOG
U0331	5186204B01	BUFFER / DRIVER
U0341	5113818A01	LINEAR IC OP AMP
U0342	5105750U28	IC CMOS SWITCH
U0351	5102463J40	REGULATOR, 3.3V
U0611	5183308X01	ADJUSTABLE VOLTAGE REG- ULATOR
U0641	5183308X01	ADJUSTABLE VOLTAGE REG- ULATOR
U0651	5113816A07	REGULATOR, 5V
U0652	5113815A02	UNDERVOLT SENSOR
U3101	5186144B01	IC, IF
U3111	5102463J52	QUAD ANALOG SWITCH
U3115	5102463J52	QUAD ANALOG SWITCH
U5201	5185963A27	IC FRACTN
U5211	5105739X05	IC, VOLTAGE REGULATOR
U5301	5105750U54	IC, VCO
U5401	5185130C65	IC LDMOS DRIVER
U5402	5113818A01	DUAL OP-AMP
U5501	5185765B28	IC POWER CONTROL

Circuit Ref	Motorola Part No.	Description
U5502	5185963A15	IC TEMPERATURE SENSOR
VR0151	4813830A15	DIODE, 5.6V
VR0501	4805656W09	DIODE, ZENER
VR0503	4805656W09	DIODE, ZENER
VR0504	4813830A40	DIODE, ZENER
VR0505	4805656W09	DIODE, ZENER
VR0509	4813830A40	DIODE, ZENER
VR0510	4813830A40	DIODE, ZENER
VR0537	4813830A15	DIODE, 5.6V
VR0541	4813830A27	DIODE, 14V
VR0601	4813832C77	DIODE
VR0621	4813830A15	DIODE, 5.6V
VR5471	4813830A15	DIODE, 5.6V
Y0131	4880113R19	CRYSTAL 38.4KHZ
Y3101	4880606B09	2ND OSC XTAL 44.395 MHZ
Y3102	9186145B02	455KHz DISCRIMINATOR
Y5262	4886182B01	TCXO 16.8MHZ

* Motorola Depot Servicing only

Reference designators with an asterisk indicate components which are not field replaceable because they need to be calibrated with specialized factory equipment after installation. Radios in which these parts have been replaced in the field will be off frequency at temperature extremes.

THIS PAGE INTENTIONALLY LEFT BLANK



GM338/GM398 Mobile Radios

Low Band
Service Information

Computer Software Copyrights

The Motorola products described in this manual may include copyrighted Motorola computer programs stored in semiconductor memories or other media. Laws in the United States and other countries preserve for Motorola certain exclusive rights for copyrighted computer programs, including the exclusive right to copy or reproduce in any form, the copyrighted computer program. Accordingly, any copyrighted Motorola computer programs contained in the Motorola products described in this manual may not be copied or reproduced in any manner without the express written permission of Motorola. Furthermore, the purchase of Motorola products shall not be deemed to grant, either directly or by implication, estoppel or otherwise, any license under the copyrights, patents or patent applications of Motorola, except for the normal non-exclusive royalty-free license to use that arises by operation of law in the sale of a product.

Table of Contents

Section 1 Model Chart and Technical Specifications

1.0 GM338 Model Chart.....	1-1
2.0 Technical Specifications	1-2

Section 2 Theory of Operation

1.0 Introduction	2-1
2.0 Low Band Receiver.....	2-1
2.1 Receiver Front-End	2-1
2.2 Front-End Band-Pass Filters and Pre-Amplifier	2-2
2.3 First Mixer and High Intermediate Frequency (IF).....	2-2
2.4 High Intermediate Frequency (IF) and Blanker Switches.....	2-2
2.5 Low Intermediate Frequency (IF) and Receiver Back End.....	2-3
2.6 “Extender” (Noise Blanker)	2-3
3.0 Transmitter Power Amplifier (PA) 60 W	2-4
3.1 Power Controlled Stage.....	2-4
3.2 Driver Stage.....	2-5
3.3 Final Stage	2-5
3.4 Antenna Switch.....	2-5
3.5 Harmonic Filter	2-5
3.6 Power Control.....	2-6
3.7 TX Safety Switch	2-6
4.0 Frequency Synthesis	2-7
4.1 Fractional-N Synthesizer	2-7
4.2 Voltage Controlled Oscillator (VCO) and Buffers	2-8
4.3 Synthesizer Operation	2-9

Section 3 Troubleshooting Charts

1.0 Troubleshooting Flow Chart for Receiver (Sheet 1 of 2).....	3-1
2.0 Troubleshooting Flow Chart for Transmitter	3-3
3.0 Troubleshooting Flow Chart for Synthesizer.....	3-4
4.0 Troubleshooting Flow Chart for VCO.....	3-5

Section 4 Low Band PCBs/Schematics/Parts Lists

1.0 Allocation of Schematics and Circuit Boards	4-1
1.1 Controller Circuits	4-1
2.0 Low Band PCBs / Schematics / Parts Lists	4-3
Low Band Range 1 (29.7-36.0 MHz) 8486206B06 Top Side	4-3
Low Band Range 1 (29.7-36.0 MHz) 8486206B06 Bottom Side	4-4
Low Band Range 1 (29.7-36.0 MHz) 8486206B08 Top Side	4-5
Low Band Range 1 (29.7-36.0 MHz) 8486206B08 Bottom Side	4-6
Low Band Range 2 (36.0-42.0 MHz) 8486207B05 Top Side	4-7
Low Band Range 2 (36.0-42.0 MHz) 8486207B05 Bottom Side	4-8
Low Band Range 2 (36.0-42.0 MHz) 8486207B07 Top Side	4-9
Low Band Range 2 (36.0-42.0 MHz) 8486207B07 Bottom Side	4-10
Low Band Range 3 (42-50 MHz) 8486908Z02 Top Side	4-11
Low Band Range 3 (42-50 MHz) 8486908Z02 Bottom Side	4-12
Low Band Range 3 (42-50 MHz) 8486908Z04 Top Side	4-13
Low Band Range 3 (42-50 MHz) 8486908Z04 Bottom Side	4-14
Low Band Range 1 (29.7-36.0 MHz) Synthesizer FRACN	4-15
Low Band Range 2 (36.0-42.0 MHz) Synthesizer FRACN	4-16
Low Band Range 3 (42-50 MHz) Synthesizer FRACN	4-17
Low Band Range 1 (29.7-36.0 MHz) Voltage Controlled Oscillator	4-18
Low Band Range 2 (36.0-42.0 MHz) Voltage Controlled Oscillator	4-19
Low Band Range 3 (42-50 MHz) Voltage Controlled Oscillator	4-20
Low Band Range 1 (29.7-36.0 MHz) Power Amplifier - Sheet 1 of 2	4-21
Low Band Range 1 (29.7-36.0 MHz) Power Amplifier - Sheet 2 of 2	4-22
Low Band Range 2 (36.0-42.0 MHz) Power Amplifier - Sheet 1 of 2	4-23
Low Band Range 2 (36.0-42.0 MHz) Power Amplifier - Sheet 2 of 2	4-24
Low Band Range 3 (42-50 MHz) Power Amplifier - Sheet 1 of 2	4-25
Low Band Range 3 (42-50 MHz) Power Amplifier - Sheet 2 of 2	4-26
Low Band Range 1 (29.7-36.0 MHz) Receiver Front End	4-27
Low Band Range 2 (36.0-42.0 MHz) Receiver Front End	4-28
Low Band Range 3 (42-50 MHz) Receiver Front End	4-29
Low Band Range 1/2 Controller - T6 (for PC Boards 8486206B06 & 8486207B05)	4-30
Low Band Range 3 Controller-T9 (for PC Board 8486908Z02)	4-31
Low Band Range 1/2/3 Controller - T11 (for PC Boards 8486206B08, 8486207B07 & 8486908Z04)	4-32
Low Band Range 1 and 2 IO - T6 (for PC Boards 8486206B06 & 8486207B05) ..	4-33
Low Band Range 3 IO - T9 (for PC Board 8486908Z02)	4-34
Low Band Range 1/2/3 IO - T11 (for PC Boards 8486206B08, 8486207B07 & 8486908Z04)	4-35
Low Band Range 1/2/3 (29.7-36.0/36.0-42.0/42-50 MHz) - Audio	4-36
Low Band Range 1/2/3 (29.7-36.0/36.0-42.0/42-50 MHz) - Supply Voltage	4-37

Low Band Range 1/2/3 - IF sheet 1 of 2 (for PC Boards 8486206B06, 8486207B05 & 8486908Z02)	4-38
Low Band Range 1/2/3 - IF sheet 2 of 2 (for PC Boards 8486206B06, 8486207B05 & 8486908Z02)	4-39
Low Band Range 1/2/3 - IF sheet 1 of 2 (for PC Boards 8486206B08, 8486207B07 & 8486908Z04)	4-40
Low Band Range 1/2/3 - IF sheet 2 of 2 (for PC Boards 8486206B08, 8486207B07 & 8486908Z04)	4-41
Low Band Range 1/2/3 (29.7-36.0/36.0-42.0/42-50 MHz) - Noise Blanker	4-42
Low Band Range 1 PCB 8486206B06 Parts List	4-43
Low Band Range 2 PCB 8486207B05 Parts List	4-49
Low Band Range 3 PCB 8486908Z02 Parts List	4-54
Low Band Range 1 PCB 8486206B08 Parts List	4-60
Low Band Range 2 PCB 8486207B07 Parts List	4-66
Low Band Range 3 PCB 8486908Z04 Parts Lis	4-72

THIS PAGE INTENTIONALLY LEFT BLANK

Section 1

MODEL CHART AND TECHNICAL SPECIFICATIONS

1.0 GM338 Model Chart

GM Series, Low Band				
Model			Description	
AZM25BKF9AA5			GM338 29.7-36.0 MHz 40-60W	
	AZM25CKF9AA5		GM338 36.0-42.0 MHz 40-60W	
		AZM25DKF9AA5	GM338 42.0-50.0 MHz 40-60W	
			Item	Description
X	X	X	GCN6114_	Preferred Control Head Direct Mount
X			IMUB6000_	Tanapa WM 29.7-36.0 MHz 40-60W
	X		IMUB6001_	Tanapa WM 36.0-42.0 MHz 40-60W
		X	IMUB6002_	Tanapa WM 42.0-50.0 MHz 40-60W
X			RAB4002	Low Band 29.7-36.0 MHz, $\frac{1}{4}$ Wave Base Loaded
	X		RAB4003	Low Band 36.0-42.0 MHz, $\frac{1}{4}$ Wave Base Loaded
		X	RAB4004	Low Band 42.0-50.0 MHz, $\frac{1}{4}$ Wave Base Loaded
X	X	X	6804112J06	GM338 User Guide

x = Indicates one of each is required.

2.0 Technical Specifications

Data is specified for +25°C unless otherwise stated.

General Specifications	
Channel Capacity GM338	128
Power Supply	13.2Vdc (10.8 - 15.6Vdc)
Dimensions: H x W x D (mm) Depth excluding knobs	GM338 60mm x 179mm x 250mm (45 - 60W)
Weight GM338	2064 g
Sealing:	Withstands rain testing per MIL STD 810 C/D /E and IP54
Shock and Vibration:	Protection provided via impact resistant housing exceeding MIL STD 810-C/D /E
Dust, Salt & Fog	Protection provided via environment resistant housing exceeding MIL STD 810 C/D /E

Transmitter	Low Band
*Frequencies - Full Bandsplit	Low Band 1 29.7-36.0 MHz Low Band 2 36.0-42.0 MHz Low Band 3 42.0-50.0 MHz
Channel Spacing	12.5/20/30 kHz
Frequency Stability (-30°C to +60°C, +25° Ref.)	±5 ppm
Power	40-60W
Modulation Limiting	±2.5 @ 12.5 kHz ±5.0 @ 20/30 kHz
FM Hum & Noise	-40 dB @ 12.5kHz -45 dB @ 20/30kHz
Conducted/Radiated Emission	-26 dBm <1 GHz
Adjacent Channel Power	-60 dB @ 12.5 kHz -70 dB @ 20/30 kHz
Audio Response (300 - 3000Hz)	+1 to -3 dB
Audio Distortion @ 1000Hz, 60% Rated Maximum Deviation	<3% typical

Receiver	Low Band
*Frequencies - Full Bandsplit	Low Band 1 29.7-36.0 MHz Low Band 2 36.0-42.0 MHz Low Band 3 42.0-50.0 MHz
Channel Spacing	12.5/20/30 kHz
Sensitivity (12 dB SINAD)	0.25 µV (0.22 µV typical)
Intermodulation	>80 dB Base Mode: >70dB (1-25W model only)
Adjacent Channel Selectivity	65 dB @ 12.5 kHz 80 dB @ 20/30 kHz
Spurious Rejection	70 dB @ 12.5 kHz 80 dB @ 20/30 kHz
Rated Audio	7.5W and 13W External
Audio Distortion @ Rated Audio	<3% typical
Hum & Noise	-40 dB @ 12.5 kHz -45 dB @ 20/30 kHz
Audio Response (300 - 3000Hz @ 20kHz)	+1 to -3 dB
Conducted Spurious Emission (ETS)	-57 dBm <1 GHz -47 dBm >1 GHz

*Availability subject to the laws and regulations of individual countries.

THIS PAGE INTENTIONALLY LEFT BLANK

Section 2

THEORY OF OPERATION

1.0 Introduction

This Chapter provides a detailed theory of operation for the Low Band circuits in the radio. For details of the theory of operation and troubleshooting for the the associated Controller circuits refer to the Controller Section of this manual.

2.0 Low Band Receiver

2.1 Receiver Front-End

The low band receiver, shown in Figure 2-1, is bandsplit into three ranges depending on radio model, covering frequencies from 29.7 to 36.0 MHz, 36.0 to 42.0 MHz, or 42.0 to 50.0 MHz. The circuitry of the three models is identical except for component value differences. The receiver consists of five major blocks: front-end bandpass filters and pre-amplifier, first mixer, high-IF and blanker switches, low-IF and receiver back-end, and “Extender” (noise blanker). Two fixed-tuned bandpass filters perform antenna signal pre-selection. A cross over quad diode mixer converts the signal to the high-IF of 10.7 MHz. High-side first injection is used.

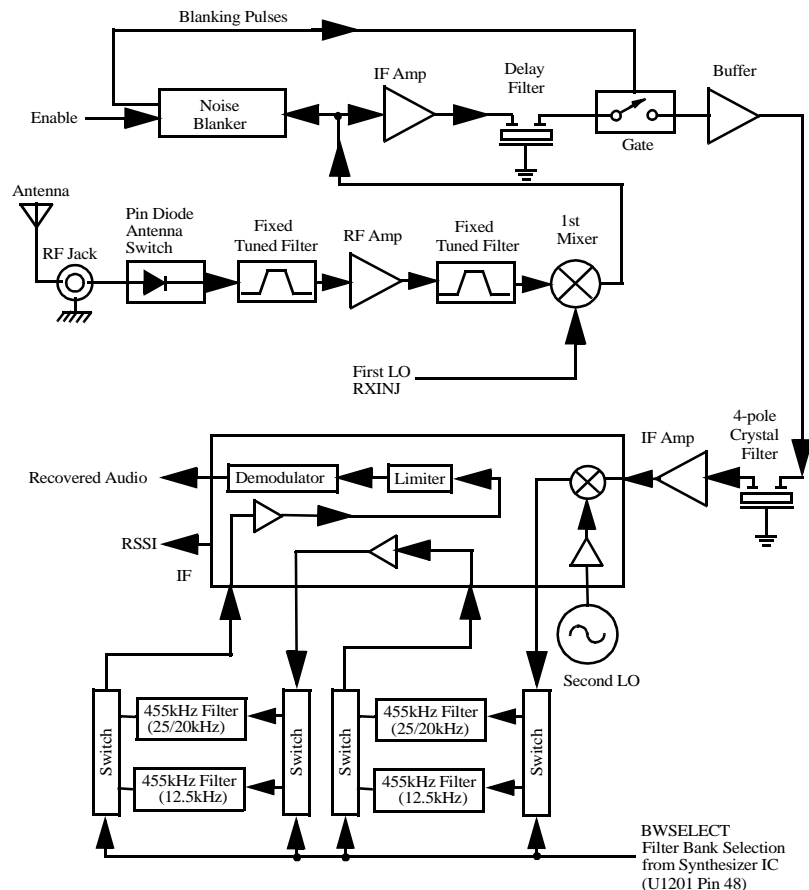


Figure 2-1 Low Band Receiver Block Diagram

There are two 2-pole 10.7 MHz crystal filters in the high-IF section and two switched pairs of 455 kHz ceramic filters in the low-IF section to provide the required adjacent channel selectivity. The second IF at 455 kHz is mixed, amplified and demodulated in the IF IC. The processing of the demodulated audio signal is performed by an audio processing IC located in the controller section.

2.2 Front-End Band-Pass Filters and Pre-Amplifier

The received signal from the radio's antenna connector is first routed through the harmonic filter and antenna switch, which are part of the RF power amplifier circuits, before being applied to the receiver 5-pole antenna filter (L1001-L1005 and associated components). This filter configuration provides more rapid attenuation above the passband to provide better rejection of the half-IF spurious response. A dual hot carrier diode (D1001) limits any inband signal to 0 dBm to prevent damage to the RF pre-amplifier.

The RF pre-amplifier is an SMD device (Q1001) with collector-base feedback to stabilize gain, impedance, and intermodulation. Transistor Q1002 compares the voltage drop across resistor R1005 with a fixed base voltage from divider R1006 and R1007, and adjusts the base current of Q1001 as necessary to maintain its collector current constant at 25 mA. Operating voltage is from the regulated 9.3V supply (9V3). During transmit, 9.1 volts (9T1) turns on both transistors in U1001, turning off Q1003 and therefore Q1001-2. This protects the RF pre-amplifier from excessive dissipation during transmit mode.

A second 5-pole fixed-tuned bandpass filter provides additional filtering of the amplified signal. This filter configuration also provides steeper attenuation above its passband for best half-IF attenuation.

2.3 First Mixer and High Intermediate Frequency (IF)

The signal coming from the front-end is converted to the high-IF frequency of 10.7 MHz using a cross over quad diode mixer (U1051). The high-side injection signal (RXINJ) from the frequency synthesizer circuitry is filter by a 7-pole low-pass filter (L1012-14 and associated circuitry) which removes second harmonic content from the injection signal and improves half-IF rejection. The 50-ohm output of the first mixer is applied to the input of the high-IF circuit block.

2.4 High Intermediate Frequency (IF) and Blanker Switches

The first mixer IF output signal (IF) is applied to diplexer network consisting of L1101, L1111 and associated components. This network has three functions: it terminates the mixer output at frequencies other than 10.7 MHz into 51-ohm resistor R1101; it matches the 50-ohm mixer output to the first IF amplifier (Q1101) input; and it provides bandpass filtering at 10.7 MHz to prevent the 5.35 MHz half-IF component of the mixer output from creating a second harmonic at 10.7 MHz in Q1101, which degrades half-IF rejection.

The IF amplifier Q1101 uses ac and dc feedback to stabilize gain and quiescent current (approximately 28 mA). Operating voltage is from the regulated 9.3V supply (9V3). Its output is applied to a 10.7 MHz ceramic filter FL1101 which has a 3 dB bandwidth of 270 kHz and provides a time delay of 2.6 usec. This delay allows enough time for the "Extender" to respond to impulse noise present at the input of Q1101 and operate the blanker switches Q1102 and Q1103, muting the IF signal for the duration of the noise pulse. L1104 and L1105 also provide additional selectivity and time delay. Operation of the "Extender" circuit is explained in Section 1.0.5 below.

When the blanker switches turn "on" to mute the IF signal, they momentarily change the impedance of resonant circuits L1104 and L1105 from high to very low. This abrupt impedance change, if

presented to the high-Q crystal filter FL1102, would cause ringing of the filter response, stretching an otherwise narrow impulse into a long and audible output waveform. Therefore, source follower stage Q1104 isolates the blanker switches from the crystal filters, providing a consistent source impedance via matching network L1106, L1107 and associated components. Q1104 has unity voltage gain in this configuration.

Crystal filter F1102 is a module which consists of two 2-pole, 10.7 MHz units configured to provide an overall 4-pole response having a 3 dB bandwidth of approximately 12 kHz. The output is amplified by second IF amplifier Q1106 and applied to the low-IF circuitry, pin 1 of IF IC (U1103). A dual hot carrier diode (D1101) limits the amplifier output voltage swing to prevent overdriving the IF IC at RF input levels above -27 dBm.

2.5 Low Intermediate Frequency (IF) and Receiver Back End

The 10.7 MHz high-IF signal from the second IF amplifier feeds the IF IC (U1103) at pin 1. Within the IF IC, the 10.7 MHz high-IF signal mixes with the 10.245 MHz second local oscillator (2nd LO) to produce the low-IF signal at 455 kHz. The 2nd LO frequency is determined by crystal Y1101. The low-IF signal is amplified and filtered by external pairs of 455 kHz ceramic filters (FL1105 and FL1107 for 20kHz channel spacing, or FL1104 and FL1106 for 12.5 kHz channel spacing). Selection of the appropriate filter pair is accomplished by U1101 and U1102, controlled by the BWSELECT line from pin 48 of the synthesizer IC U1201. The filtered output from the ceramic filters is applied to the limiter input pin of the IF IC (pin 14).

The IF IC contains a quadrature detector using a ceramic phase-shift element (Y1102) to provide audio detection. Internal amplification provides an audio output level of 120 mV rms (at 60% deviation) from U1103 pin 8 (AUDIOOUT) which is fed to the ASFIC_CMP (U0221) pin 2 (part of the Controller circuitry).

A received signal strength indicator (RSSI) signal is available at U1103 pin 5, having a dynamic range of 70 dB. The RSSI is interpreted by the microprocessor (U0101 pin 63) and in addition is available at accessory connector J0501-15.

2.6 “Extender” (Noise Blanker)

The 10.7 MHz output from the first mixer, which is present at the input of the first IF amp Q1101, is also routed to the input of the “Extender” (noise blanker) circuitry and amplified by FET Q1610. The high input impedance of the FET stage minimizes loading of the signal in the receiver path. The output of Q1610 is further amplified by U1601, which is a wide-bandwidth, high gain differential amplifier (used in a single-ended configuration) incorporating an AGC gain control input. This gain block provides linear amplification of the instantaneous amplitude of the 10.7 MHz signal at the first mixer output. The output of U1601 is coupled to biased-detector Q1603. The bias is set so that noise impulses of a significant amplitude cause Q1603 to conduct. The following stages (Q1604 through Q1606) provide additional gain and pulse shaping which slows the turn-on and turn-off waveform applied to IF blanker switches Q1102 and Q1103. The result is that, for each noise impulse, the IF signal is smoothly ramped off and then on again, preventing the pulse from reaching the narrow IF selectivity, where ringing would cause an objectionable spike at the detector of a much longer duration than the original impulse.

If the repetition rate of noise impulses is so rapid that the noise blanker can no longer blank them individually, as indicated by a large increase in high-frequency content at the output of Q1604, stage Q1607 amplifies this level and turns on level detector Q1609. Its output is highly filtered into a DC voltage level which is proportional to the repetition rate of noise impulses, and this is applied to the

AGC input pin 5 of U1601, reducing its gain and therefore the amount of noise pulses which are detected and processed.

3.0 Transmitter Power Amplifier (PA) 60 W

The radio's 60W power amplifier (PA), shown in Figure 2-2, is a three-stage amplifier used to amplify the output from the VCO to the radio transmit level. The line-up consists of three stages which utilize LDMOS technology. The first stage is pre-driver (U1401) that is controlled by pin 4 of PCIC (U1503) via Q1504 and Q1505 (CNTLVLTG). It is followed by driver stage Q1401, and final stage utilizing two devices (Q1402 and Q1403) connected in parallel. Q1402 and Q1403 are in direct contact with the heat sink.

To prevent damage to the final stage devices, a safety switch has been installed to prevent the transmitter from being keyed with the cover removed.

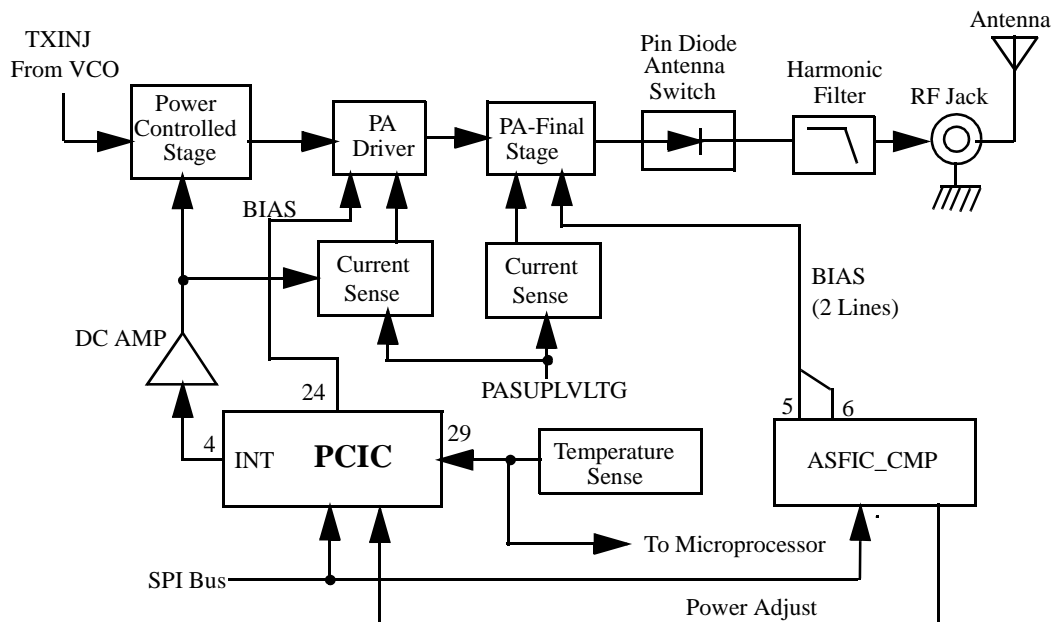


Figure 2-2 Low Band Transmitter Block Diagram

3.1 Power Controlled Stage

The first stage (U1401) is a 20dB gain integrated circuit containing two LDMOS FET amplifier stages. It amplifies the RF signal from the VCO (TXINJ). The output power of stage U1401 is controlled by a DC voltage applied to pin 1 from the power control circuit (U1503 pin 4, with transistor Q1504-5 providing current gain and level-shifting). The control voltage simultaneously varies the bias of two FET stages within U1401. This biasing point determines the overall gain of U1401 and therefore its output drive level to Q1401, which in turn controls the output power of the PA.

3.2 Driver Stage

The next stage is an LDMOS device (Q1401) providing a gain of 13dB. This device requires a positive gate bias and a quiescent current flow for proper operation. The voltage of the line MOSBIAS_1 is set during transmit mode by the PCIC pin 24, and fed to the gate of Q1401 via resistors R1402, R1447, R1449, R1458, R1459, and R1463. The bias voltage is tuned in the factory.

The circuitry associated with U1402-2 and Q1404 limits the variation in the output power of the driver stage resulting from changes in the input impedance of the final stage due to changes at the antenna of the radio. The variation in the driver's output power is limited by controlling its DC current. The driver's DC current is monitored by measuring the voltage drop across current-sense resistors R1473-6, and this voltage is compared to a reference voltage on pin 6 of U1402-2. If the current through the sense resistors decreases, the circuit increases the bias voltage on the gate of Q1401 via Q1404. If the current increases, then the bias voltage decreases in order to keep the driver's current constant. Since the current must increase with increasing control voltage, an input path is provided to U1402-2 pin 5 from control line VCNTRL to enable this.

3.3 Final Stage

The final stage uses two LDMOS FET devices operating in parallel. Each device has its own adjustable gate bias voltage, MOSBIAS_2 and MOSBIAS_3, obtained from D/A outputs of the ASFIC. These bias voltages are also factory-tuned. If these transistors are replaced, the bias voltage must be tuned using the Tuner software. Care must be taken not to damage the device by exceeding the maximum allowed bias current. The device's drain current is drawn directly from the radio's DC supply voltage input, PASUPVLTG, via current-measurement resistor R1409.

A matching network combines the output of the two devices and provides a 50-ohm source for the antenna switch and harmonic filter.

3.4 Antenna Switch

The antenna switch is operated by the 9T1 voltage source which forward biases diodes D1401 and D1402 during transmit, causing them to appear as low impedance. D1401 allows the RF output from final stages Q1402 and Q1403 to be applied to the input of the low-pass harmonic filter (L1421-3 and associated components). D1402 appears as a short circuit at the input of the receiver (RXINJ), preventing transmitter RF power from entering the receiver. L1420 and C1456 appears as a broadband-wave transmission line, making the short circuit presented by D1402 appear as open circuit at the junction of D1401 and the harmonic filter input.

During receive mode, the 9T1 voltage is not present, and D1401 and D1402 do not conduct and appear as open circuits. This allows signals from the antenna jack to pass to the receiver input, and disconnects the transmitter final stages from this path.

3.5 Harmonic Filter

Components L1421- L1423 and C1449-C1455 form a seven-pole elliptic low-pass filter to attenuate harmonic energy of the transmitter to specifications level. R1411 is used to drain electrostatic charge that might otherwise build up on the antenna. The harmonic filter also prevents high level RF signals above the receiver passband from reaching the receiver circuits, improving spurious response rejection.

3.6 Power Control

The transmitter uses the Power Control IC (PCIC, U1503) to control the power output of the radio. A differential DC amplifier U1502-1 compares the voltage drop across current-measuring resistor R1409, which is proportional to the transmitter final stage DC current, with the voltage drop across resistors R1508 and R1535, which is proportional to the current through transistor Q1503. This transistor is controlled by the output of the differential amplifier, which varies the transistor Q1503. This transistor is controlled by the output of the differential amplifier, which varies the transistor current until equilibrium of the two compared voltages is reached. The current through Q1503 develops a voltage across R1513 which is exactly proportional to the DC current of the final stages. This voltage is applied to the RF IN port of the PCIC (pin 1).

The PCIC has internal digital to analog converters (DACs) which provide a reference voltage of the control loop. The reference voltage level is programmable through the SPI line of the PCIC. This reference voltage is proportional to the desired power setting of the transmitter, and is factory programmed at several points across the frequency range of the transmitter to offset frequency response variations of the transmitter's power detector circuitry.

The PCIC provides a DC output voltage at pin 4 (INT) which is amplified and shifted in DC level by stages Q1504 and Q1505. The 0 to 4 volt DC range at pin 4 of U1503 is transferred to a 0 to 8 volt DC range at the output of Q1505, and applied as VCNTL to the power-adjust input pin of the first transmitter stage U1401. This adjusts the transmitter power output to the intended value. Variations in antenna impedance cause variations in the DC current of the final stages, and the PCIC adjust the control voltage above or below its normal value to reduce power if current drain increases, or raise power if current drain decreases.

Capacitors C1503-4 and C1525, in conjunction with resistors and integrators within the PCIC, control the transmitter power-rise (key-up) and power-decay (de-key) characteristic to minimize splatter into adjacent channels.

U1501 is a temperature-sensing device which monitors the circuit board temperature in the vicinity of the transmitter circuits and provide a dc voltage to the PCIC (TEMP, pin 29) proportional to temperature. If the DC voltage produced exceeds the set threshold in the PCIC, the transmitter output power will be reduced so as to reduce the transmitter temperature.

3.7 TX Safety Switch

The TX Safety Switch consists of S1501, Q1506, and diode pairs D1502 and D1503 providing protection to the final stage devices Q1402 and Q1403. These final stage devices can be degraded or destroyed if the radio is keyed without the cover in place due to the lack of a good thermal path to the chassis.

Switch S1501 is closed when the radio's cover is screwed in place by means of the carbonized region on the cover's pressure pad making contact with the finger plating on the radio's PCB. With the cover in place, transistor Q1506 is off, back-biasing diodes D1502 and D1503, enabling proper transmitter operation. When the cover is not in place, S1501 opens, causing Q1506 to turn on, pulling the cathodes of D1502 and D1503 to ground, resulting in the shorting of the transmitter's bias lines and control voltage.

4.0 Frequency Synthesis

The frequency synthesizer subsystem, shown in Figure 2-3, consists of the reference oscillator crystal (Y1201), the Low Voltage Fractional-N synthesizer (LVFRAC-N, U1201), and the receive and transmit VCOs and buffers (Q1303 through Q1308 and associated components).

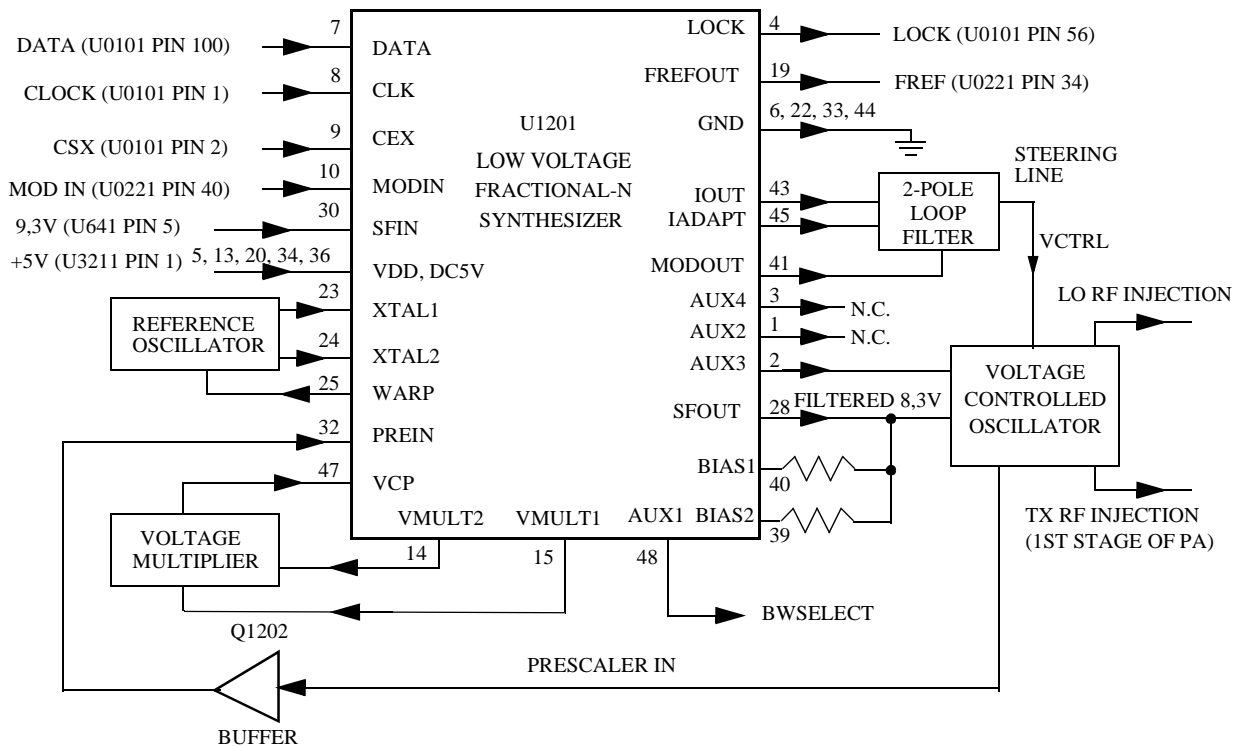


Figure 2-3 Low Band Synthesizer Block Diagram

4.1 Fractional-N Synthesizer

The LVFRAC-N synthesizer IC (U1201) consists of a reference oscillator, pre-scaler, a programmable loop divider, control divider logic, phase detector, a charge pump, A/D converter for low frequency digital modulation, a balance attenuator to balance the high frequency analog modulation and low frequency digital modulation, a 13V positive voltage multiplier, a serial interface for control, and finally a super filter for the regulated 9.3 volt supply.

Regulated 9.3 volts DC applied to the super filter input (U1201, pin 30) delivers a very low noise output voltage of 8.3 volts DC (VSF) at pin 28. External device Q1201 allows greater current sourcing capability. The VSF source supplies the receive and transmit VCOs and first buffer stages. The synthesizer IC supply voltage is provided by a dedicated 5V regulator (U1250) to minimize power supply noise.

In order to generate a high voltage to supply the phase detector (charge pump) output stage at pin VCP (U1201 pin 47), a capacitive voltage multiplier circuit (CR1202 and C1209) generates a voltage

of 13 volts DC. This multiplier is driven by two 1.05 MHz clock signals from U1201 pins 15 and 14 (VMULT11 and VMULT12) which are 180 degree out of phase.

Output LOCK (U1201-4) provides information about the lock status of the synthesizer loop. A high level at this output indicates a stable loop. A buffered output of the 16.8 MHz reference frequency is provided at pin 19.

The operating frequency of the synthesizer is loaded serially from the microprocessor via the data line (DATA, U1201-7), clock line (CLK, U1201-8) and chip select line (CSX, U1201-9).

The reference oscillator circuit within U1201 uses an external 16.8 MHz crystal (Y1201). Varactor CR1201 allows software-controlled frequency adjustments (warp) and temperature compensation of the oscillator frequency. Warp adjustment is performed using serial data from the microprocessor. This controls the setting of an A/D converter, with its output (WARP, pin 25) applied to CR1201.

4.2 Voltage Controlled Oscillator (VCO) and Buffers

Separate voltage controlled oscillator (VCO) and buffer circuits, shown in Figure 2-4, are used for receiver injection and transmitter carrier frequency generation. Since the receiver uses high-side injection, the receiver VCO frequency range is 10.7 MHz above the transmit VCO range. The VCO/buffers are bandsplit into three ranges depending on radio model, covering radio operating frequencies of 29.7 to 36.0 MHz, 36.0 to 42.0 MHz, or 42.0 to 50.0 MHz. The corresponding three frequency ranges from the receive VCO are 40.4 to 46.7 MHz, 46.7 to 52.7 MHz, and 52.7 to 60.7 MHz.

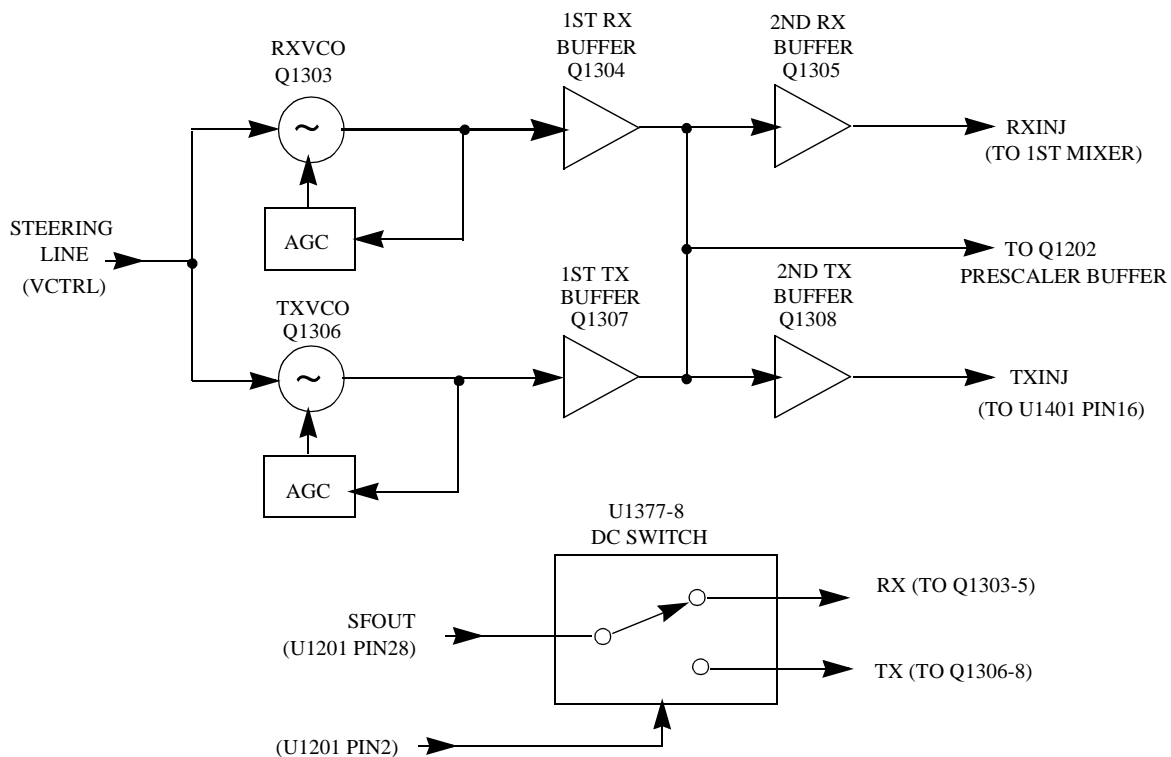


Figure 2-4 Low Band VCO Block Diagram

The VCOs, together with Fractional-N synthesizer U1201, generates the required frequencies for transmit and receive modes. The TRB line (U1201, pin 2) determines which VCO/buffer circuit is to be enabled. A high level on TRB will turn on the transistors in U1378 to turn on via R1376, applying the 8.3 volt VSF source to the receiver VCO and first buffer. The second buffer in each string operates from the 9V3 source and become active when RF is applied to their inputs.

The RF signal at the bases of the second buffers are combined and fed back to the Fractional-N synthesizer via PRE_IN where it is compared to the reference frequency as described below in "Synthesizer Operation". The Fractional-N IC provides a DC steering voltage VCTRL to adjust and maintain the VCO at the correct frequency.

With a steering voltage from 2.5V to 11V at the appropriate varactor diode (CR1302 for the RX VCO, or CR1310 for the TX VCO), the full VCO tuning range is obtained. Each VCO uses an AGC circuit to maintain a constant VCO output level across the frequency band. A diode (CR1306 in the receive VCO, or CR1314 in the transmit VCO) is configured as a voltage doubler which rectifies the RF level sampled at the VCO drain and applies a proportional negative DC voltage to the VCO gate. Increased RF level reduces the VCO gain to compensate.

The VCO output is taken from the source and applied to the first buffer transistor (Q1304 receive, Q1307 transmit). The first buffer output is further amplified by the second buffer transistor (Q1305 receive, Q1308 transmit) before being applied to the receiver first mixer or transmitter first stage input.

In TX mode the modulation signal coming from the LVFRAC-N synthesizer IC (MODOUT, U1201 pin 41) is superimposed on the DC steering line voltage by capacitive divider C1215, C1208 and C1212, causing modulation of the TX VCO using the same varactor as used for frequency control.

4.3 Synthesizer Operation

The complete synthesizer subsystem comprises mainly of low voltage LVFRAC-N synthesizer IC, Reference Oscillator (crystal oscillator with temperature compensation), charge pump circuitry, loop filter circuitry, and voltage controlled-controlled oscillators and buffers. A sample of the VCO operating signal PRE_IN is amplified by feedback buffer Q1202, low-pass filtered by L1205, C1222 and C1224, and fed to U1201 pin 32 (PREIN).

The pre-scaler in the synthesizer (U1201) is basically a dual modulus pre-scaler with selectable divider ratios. The divider ratio of the pre-scaler is controlled by the loop divider, which in turn receives its inputs via the serial interface to the microprocessor. The output of the pre-scaler is applied to the loop divider. The output of the loop divider is connected to the phase detector, which compares the loop divider's output signal with the reference signal. The reference signal is generated by dividing down the signal of the reference oscillator, whose frequency is controlled by Y1201.

The output signal of the phase detector is a pulsed DC signal which is routed to the charge pump. The charge pump outputs a current at pin 43 of U1201 (IOUT). The loop filter (consisting of R1205-6, R1208, and C1212-14) transforms this current into a voltage that is applied to varactor diodes (CR1310 for transmit, CR1302, for receive) and alters the output frequency of the appropriate VCO. The current can be set to a value fixed in the LVFRAC-N IC or to a value determined by the currents flowing into BIAS 1 (U1201-40) or BIAS 2 (U1201-39). The currents are set by the value of R1211 or R1207 respectively. The selection of the three different bias sources is done by software programming.

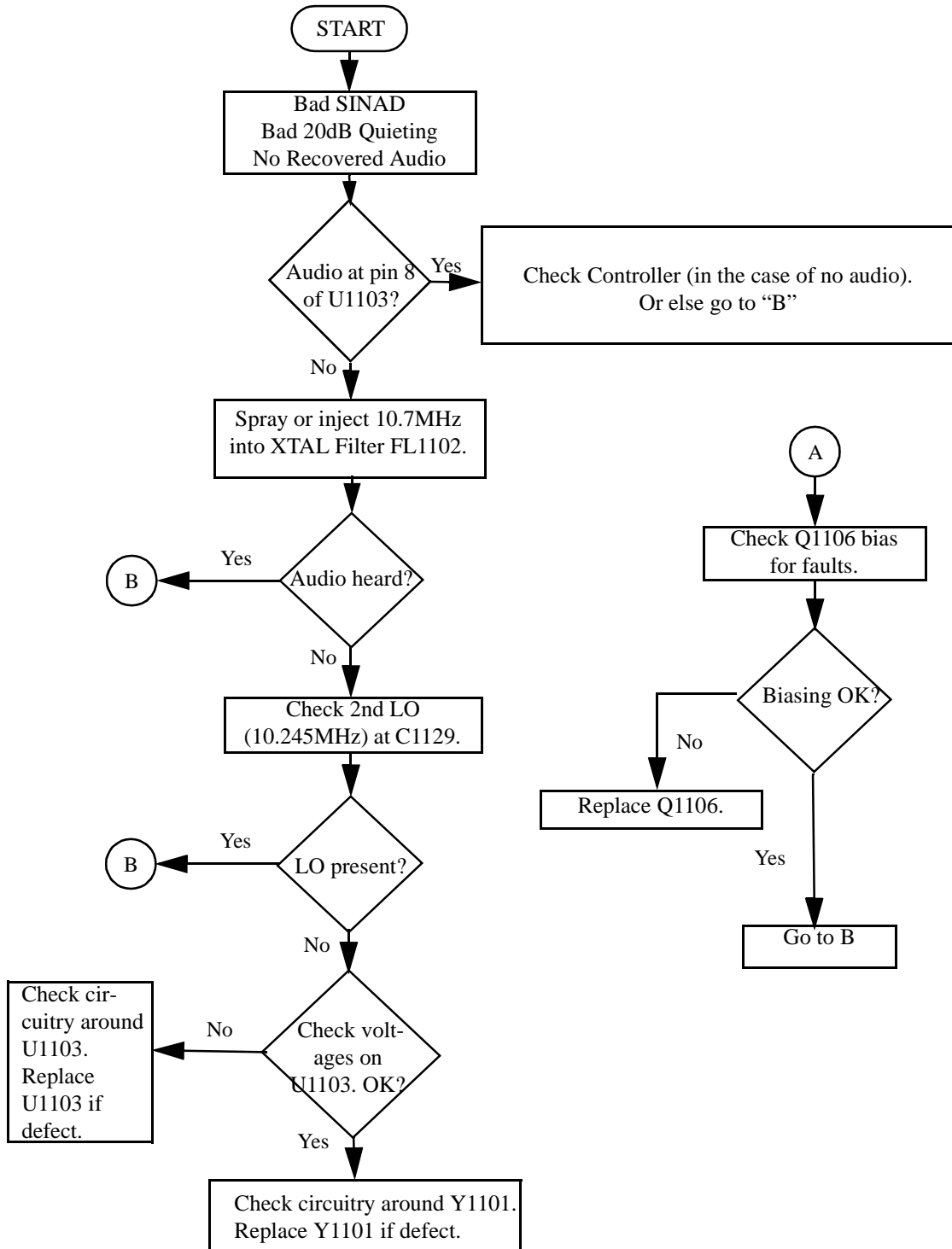
To reduce synthesizer lock time when new frequency data has been loaded into the synthesizer the magnitude of the loop current is increased by enabling the IADAPT (U1201-45) for a certain software programmable time (Adapt Mode). The adapt mode timer is started by a low to high transient of the CSX line. When the synthesizer is within the lock range, the current is determined only by the resistors connected to BIAS 1, BIAS 2, or the internal current source. A settled synthesizer loop is indicated by a high level of signal LOCK (U1201-4).

In order to modulate the PLL the two-spot modulation method is utilized. Via pin 10 (MODIN) on U1201, the audio signal is applied to both the A/D converter (low frequency path) and the balanced attenuator (high frequency path). The A/D converter converts the low frequency analog modulating signal into a digital code that is applied to the loop divider, thereby causing the carrier to deviate. The balance attenuator is used to adjust the VCO's deviation sensitivity to high frequency modulating signals. The output of the balance attenuator is present at the MODOUT port (U1201-41) and superimposed on the VCO steering line voltage by a divider consisting of C1215, C1208 and C1212.

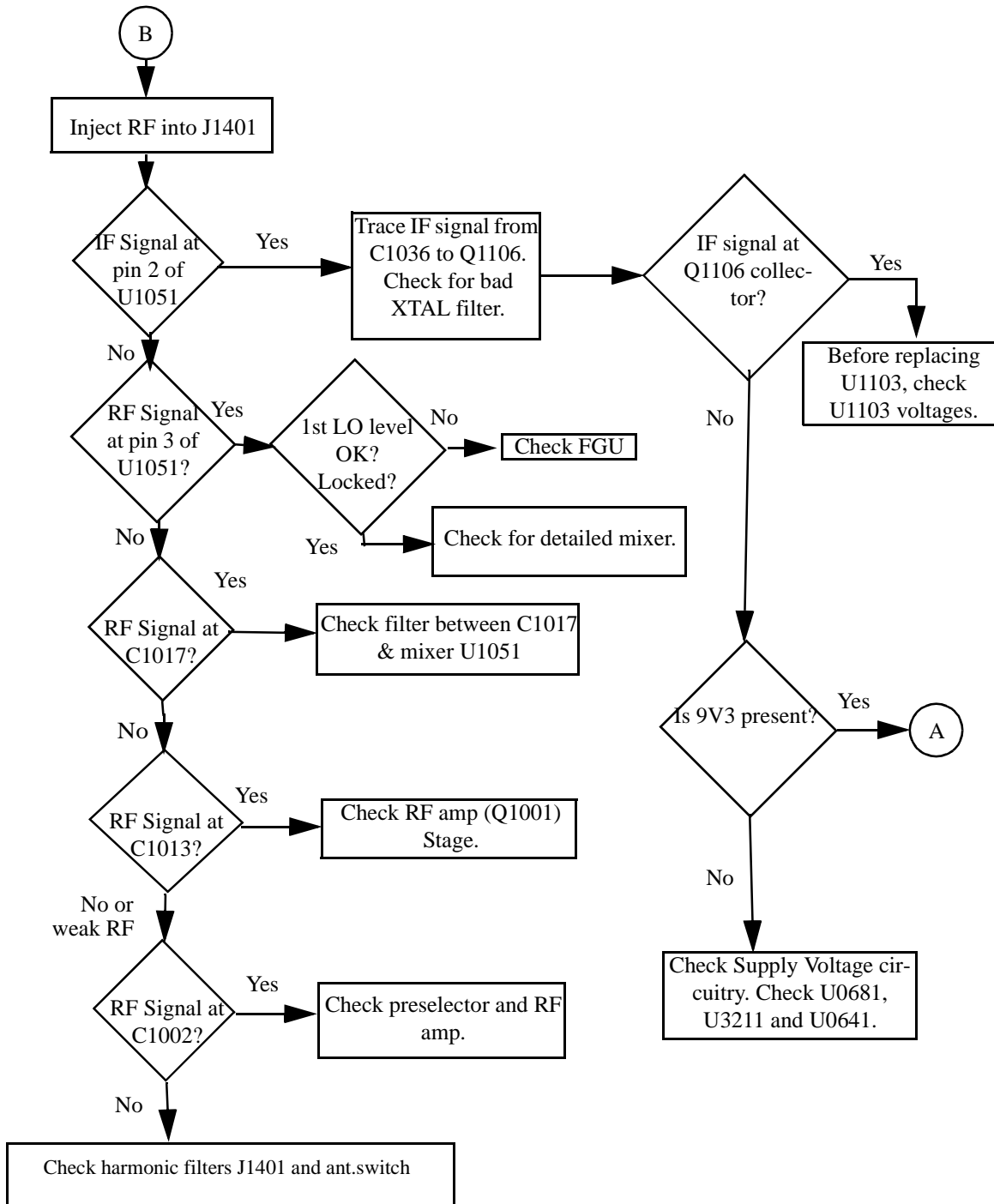
Section 3

TROUBLESHOOTING CHARTS

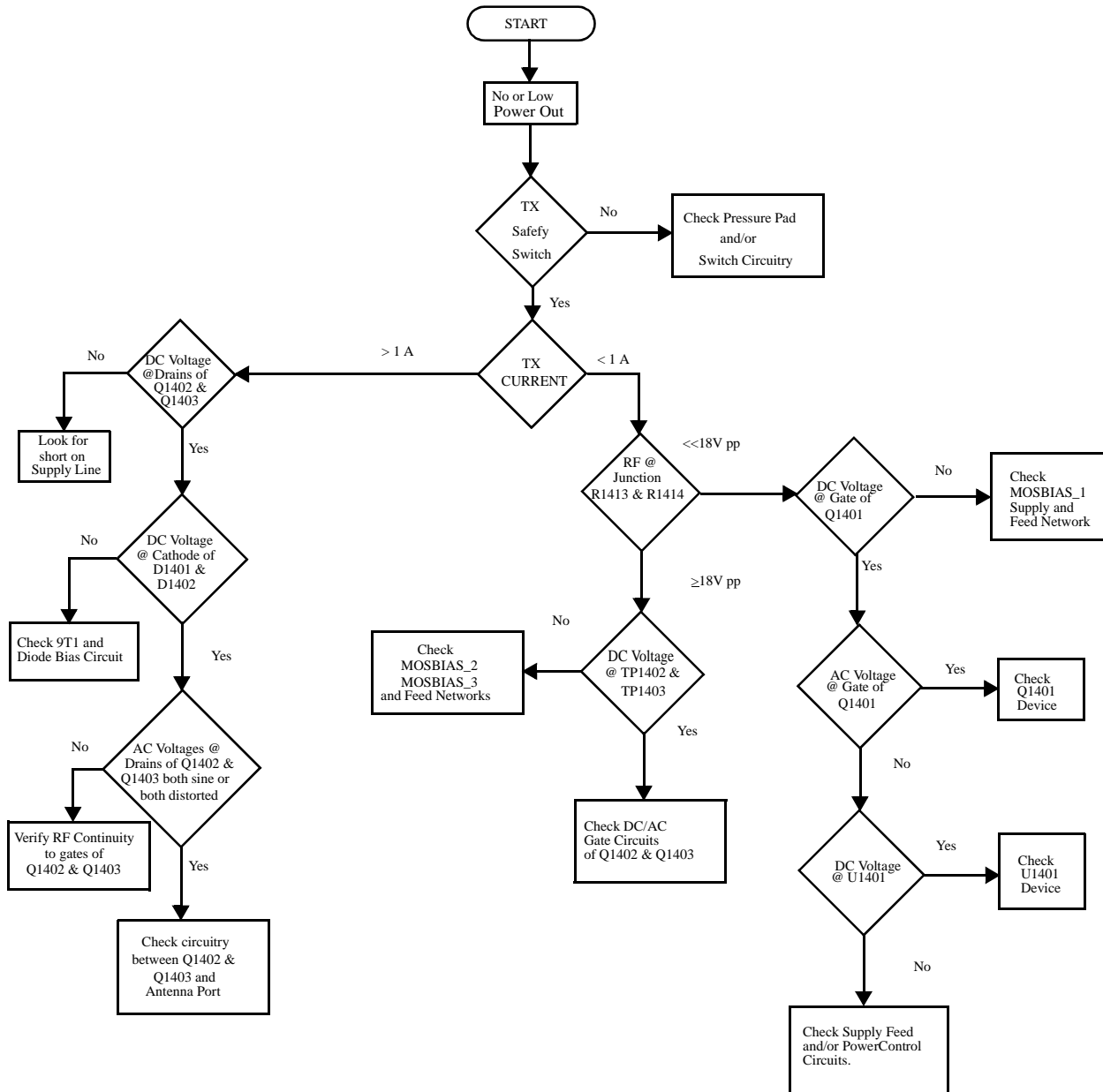
1.0 Troubleshooting Flow Chart for Receiver (Sheet 1 of 2)



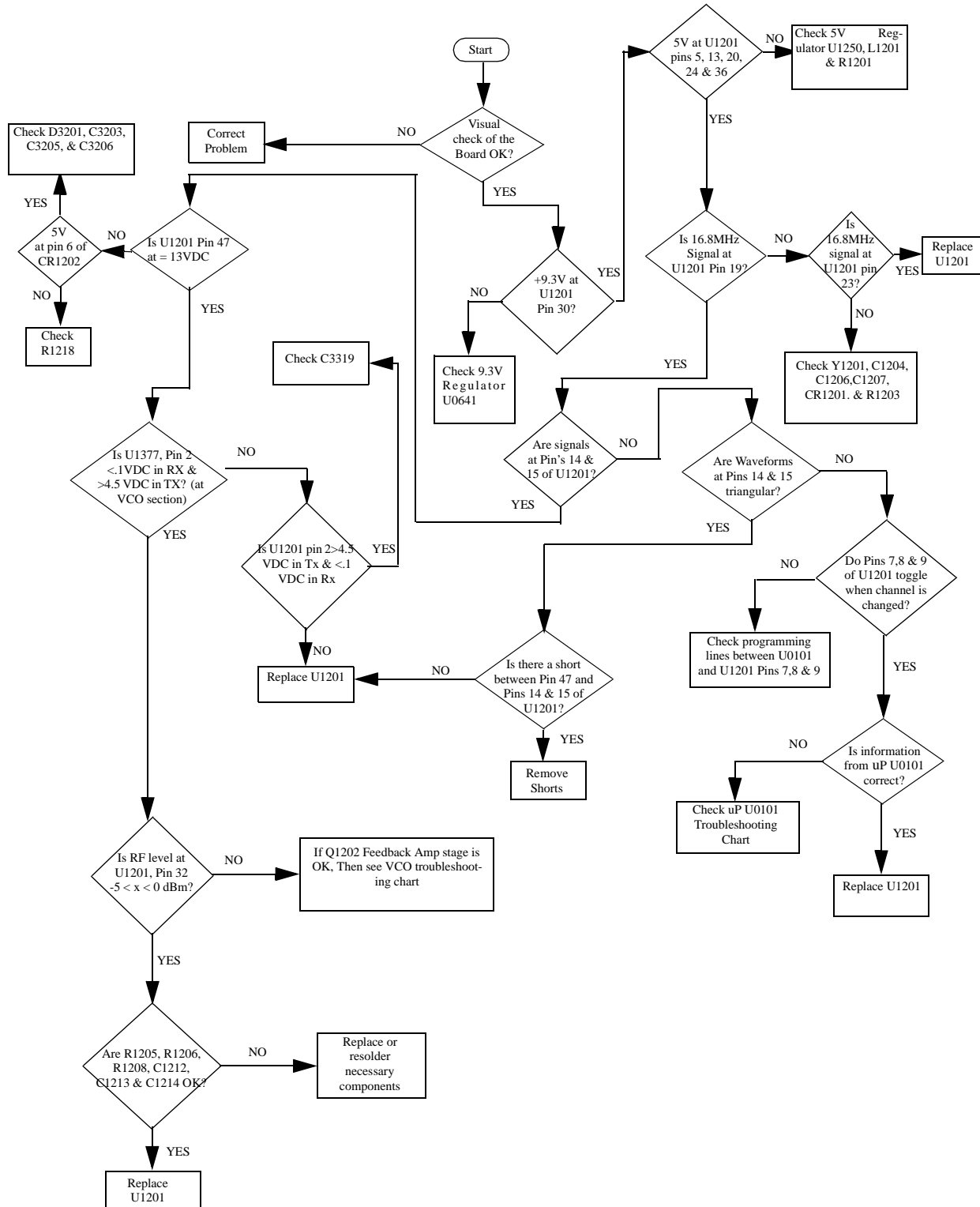
1.1 Troubleshooting Flow Chart for Receiver (Sheet 2 of 2)



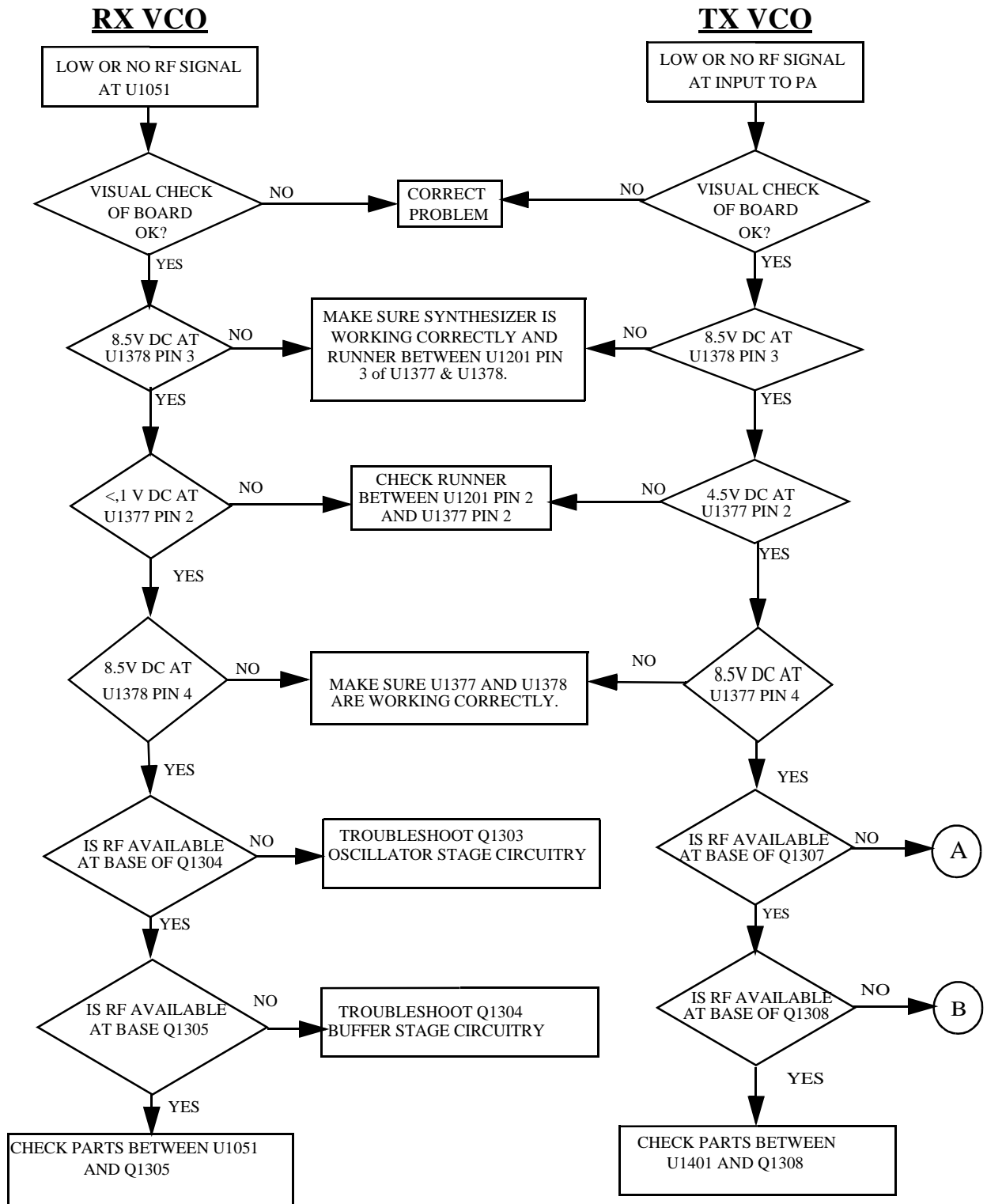
2.0 Troubleshooting Flow Chart for Transmitter



3.0 Troubleshooting Flow Chart for Synthesizer



4.0 Troubleshooting Flow Chart for VCO



THIS PAGE INTENTIONALLY LEFT BLANK

Section 4

LOW BAND PCBS/SCHEMATICS/PARTS LISTS

1.0 Allocation of Schematics and Circuit Boards

1.1 Controller Circuits

The Low Band circuits are contained on the Printed Circuit Board (PCB) which also contains the Controller circuits. This Chapter shows the schematics for the Low Band circuits only, refer to the Controller section for details of the related Controller circuits . The PCB component layouts and the Parts Lists in this Chapter show both the Controller and Low Band circuit components. The Low Band schematics and the related PCB and parts list are shown in the tables below.

Table 4-1 Low Band Range 1 (29.7-36.0MHz) Diagrams and Parts Lists

PCB : 8486206B06 Main Board Top Side 8486206B06 Main Board Bottom Side	Page 4-3 Page 4-4
SCHEMATICS Power Amplifier 40 - 60W FRACN Voltage Controlled Oscillator Receiver Front End Controller - T6 IO - T6	Page 4-15 and Page 4-16 Page 4-9 Page 4-12 Page 4-21 Page 4-24 Page 4-26
Parts List 8486206B06	Page 4-33

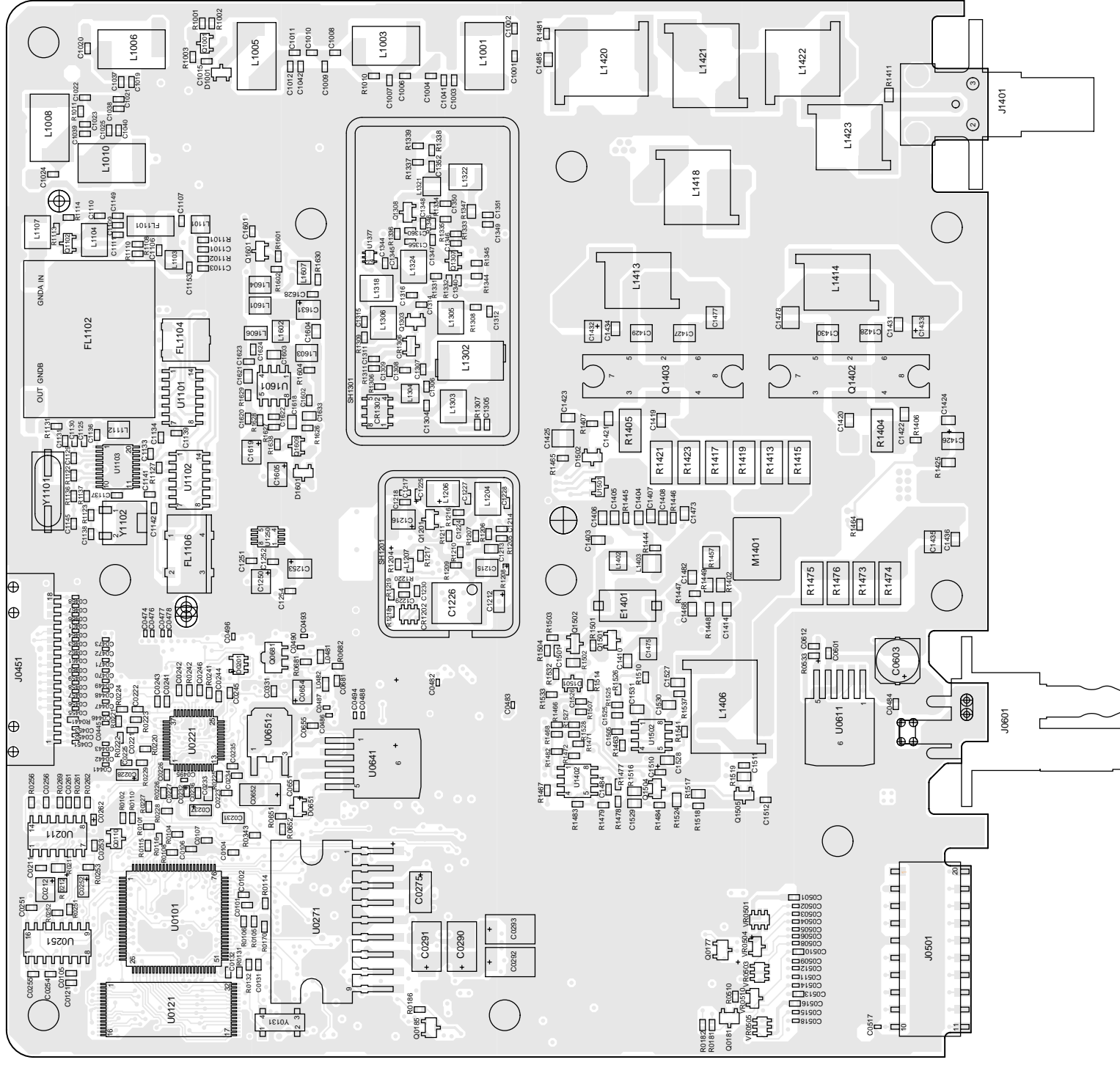
Table 4-2 Low Band Range 2 (36-42 MHz) Diagrams and Parts Lists

PCB : 8486207B05 Main Board Top Side 8486207B05 Main Board Bottom Side	Page 4-5 Page 4-6
SCHEMATICS Power Amplifier 40 - 60W Voltage Controlled Oscillator Receiver Front End FRACN	Page 4-17 and Page 4-18 Page 4-13 Page 4-22 Page 4-10
Parts List 8486207B05	Page 4-39

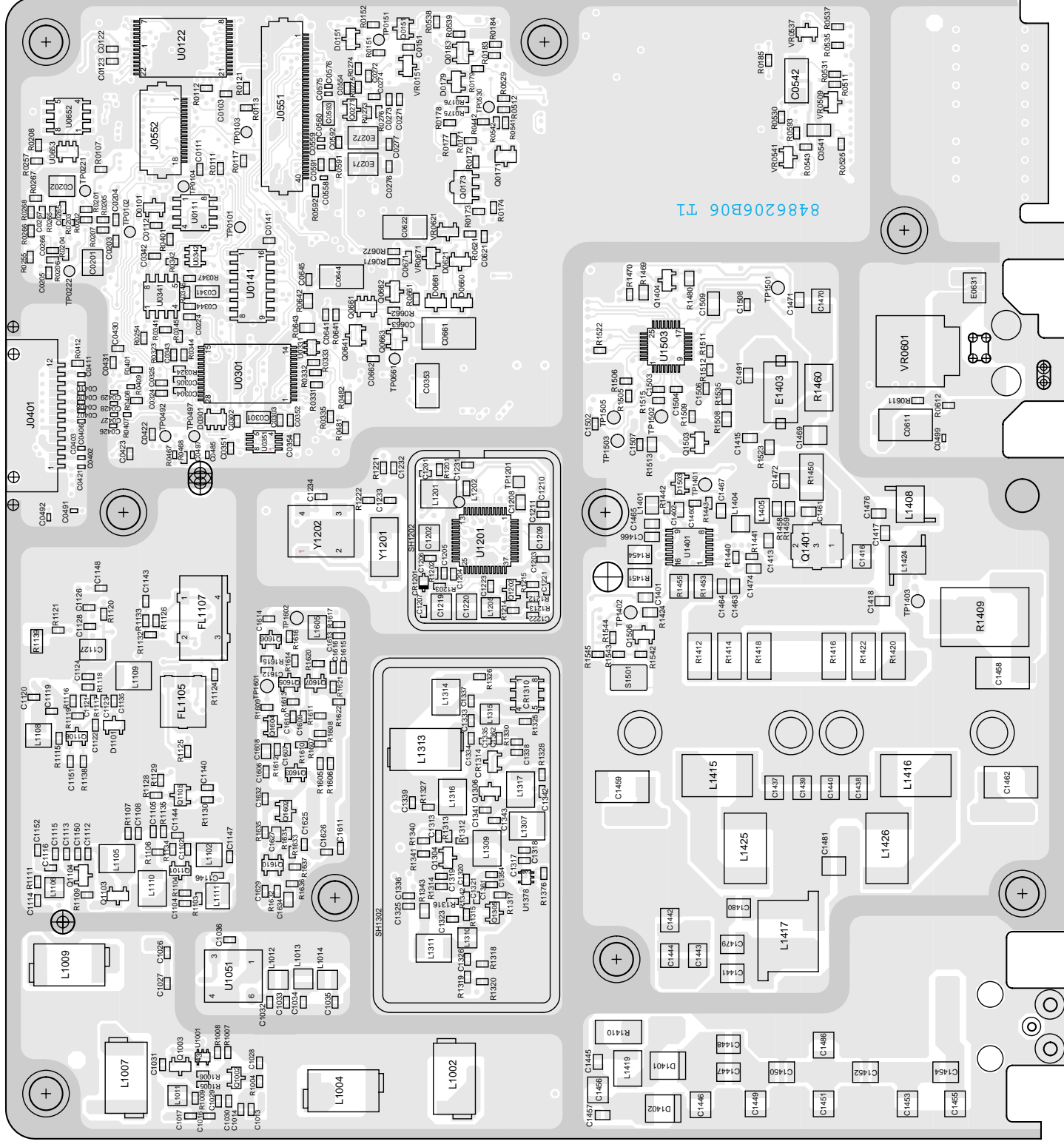
Table 4-3 Low Band Range 3 (42-50MHz) Diagrams and Parts Lists

PCB : 848608Z02 Main Board Top Side 848608Z02 Main Board Bottom Side	Page 4-7 Page 4-8
SCHEMATICS Power Amplifier 40 - 60W Voltage Controlled Oscillator Receiver Front End Controller - T9 FRACN IO - T9	Page 4-19 and Page 4-20 Page 4-14 Page 4-23 Page 4-25 Page 4-11 Page 4-27
Parts List 848608Z02	Page 4-44

2.0 Low Band PCBs / Schematics / Parts Lists

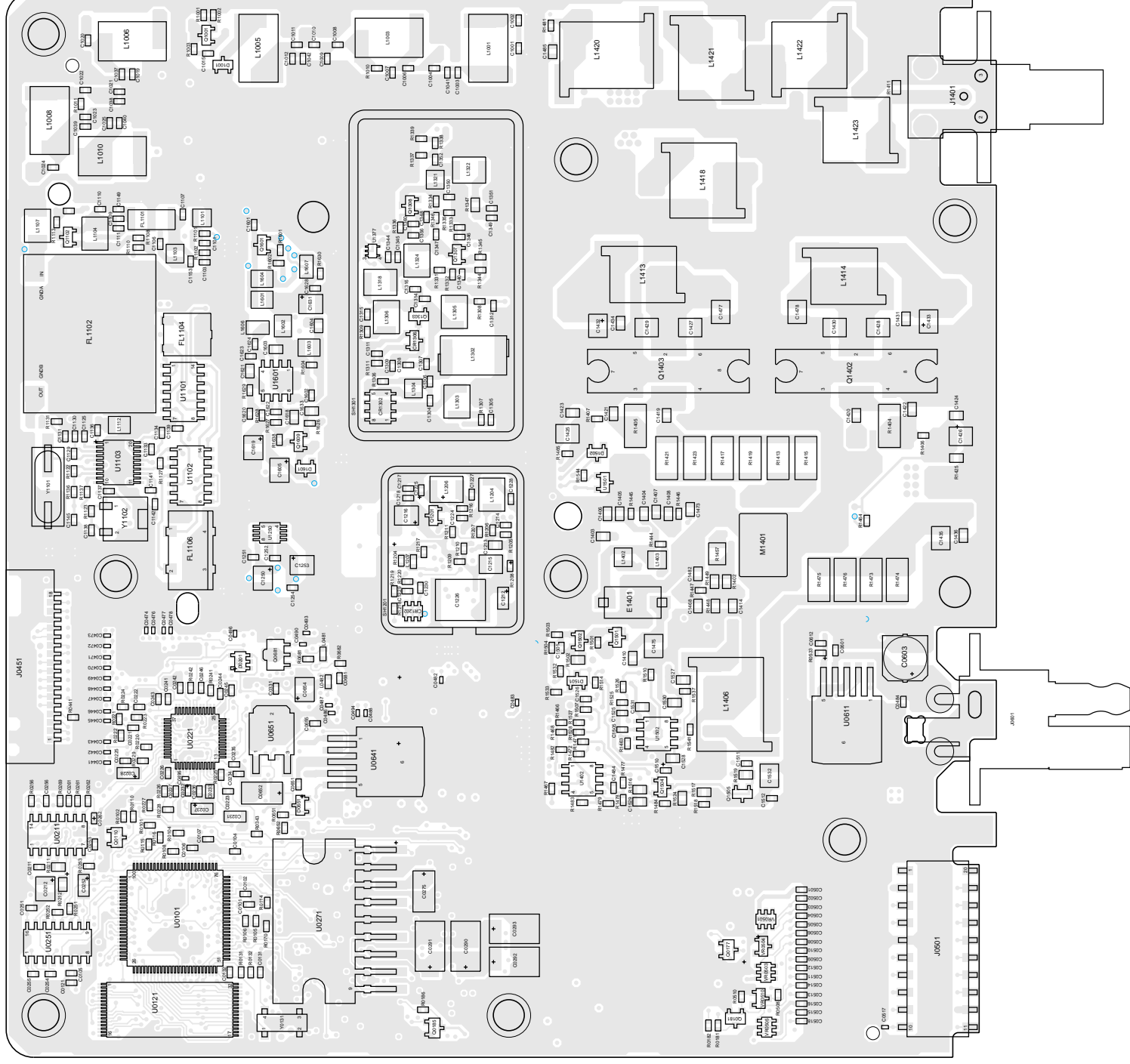


ZWG0130593-O



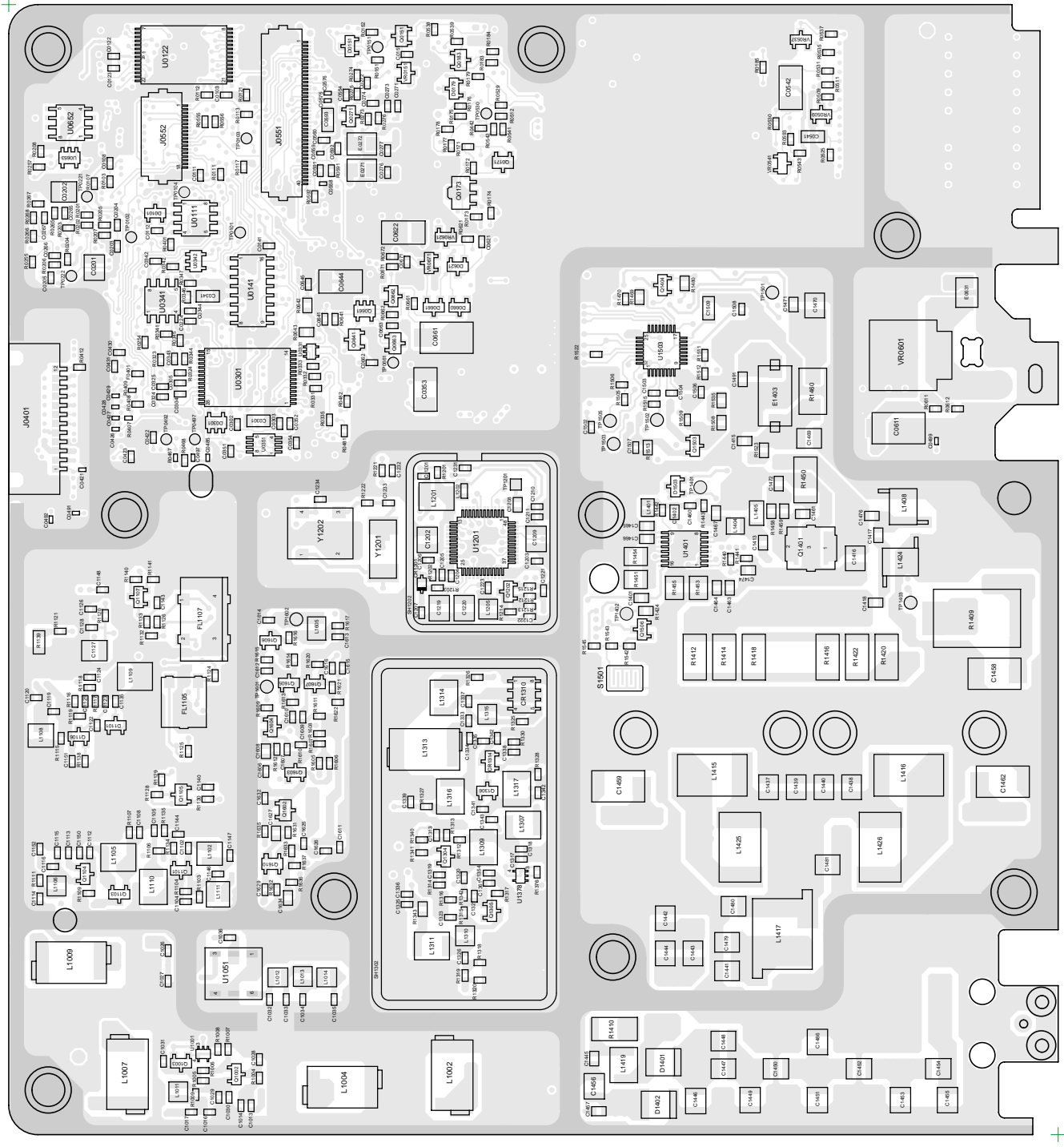
ZWG0130594-0

Low Band Range 1 (29.7-36.0 MHz) 8486206B06 Bottom Side



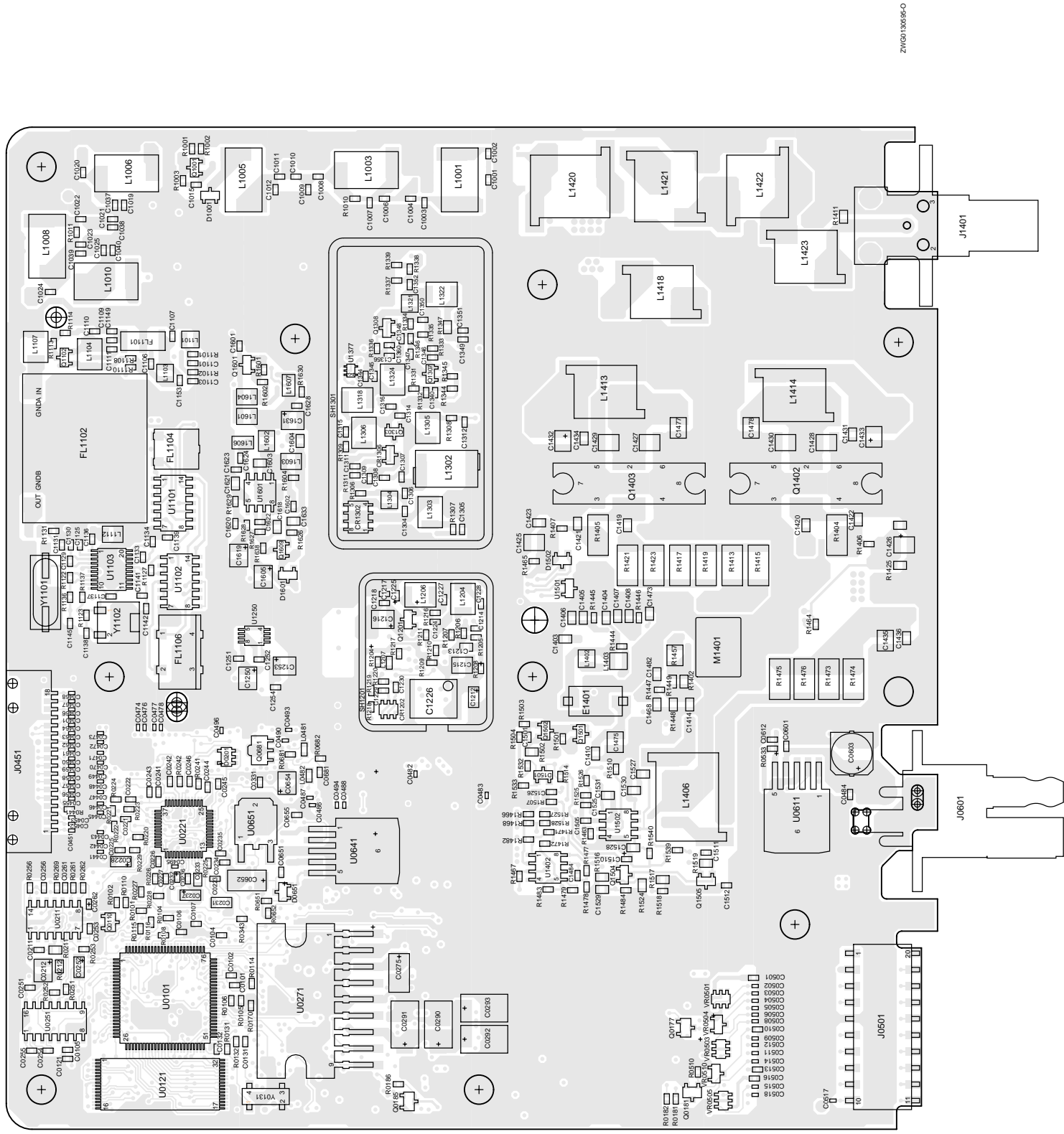
ZWG0131048-C

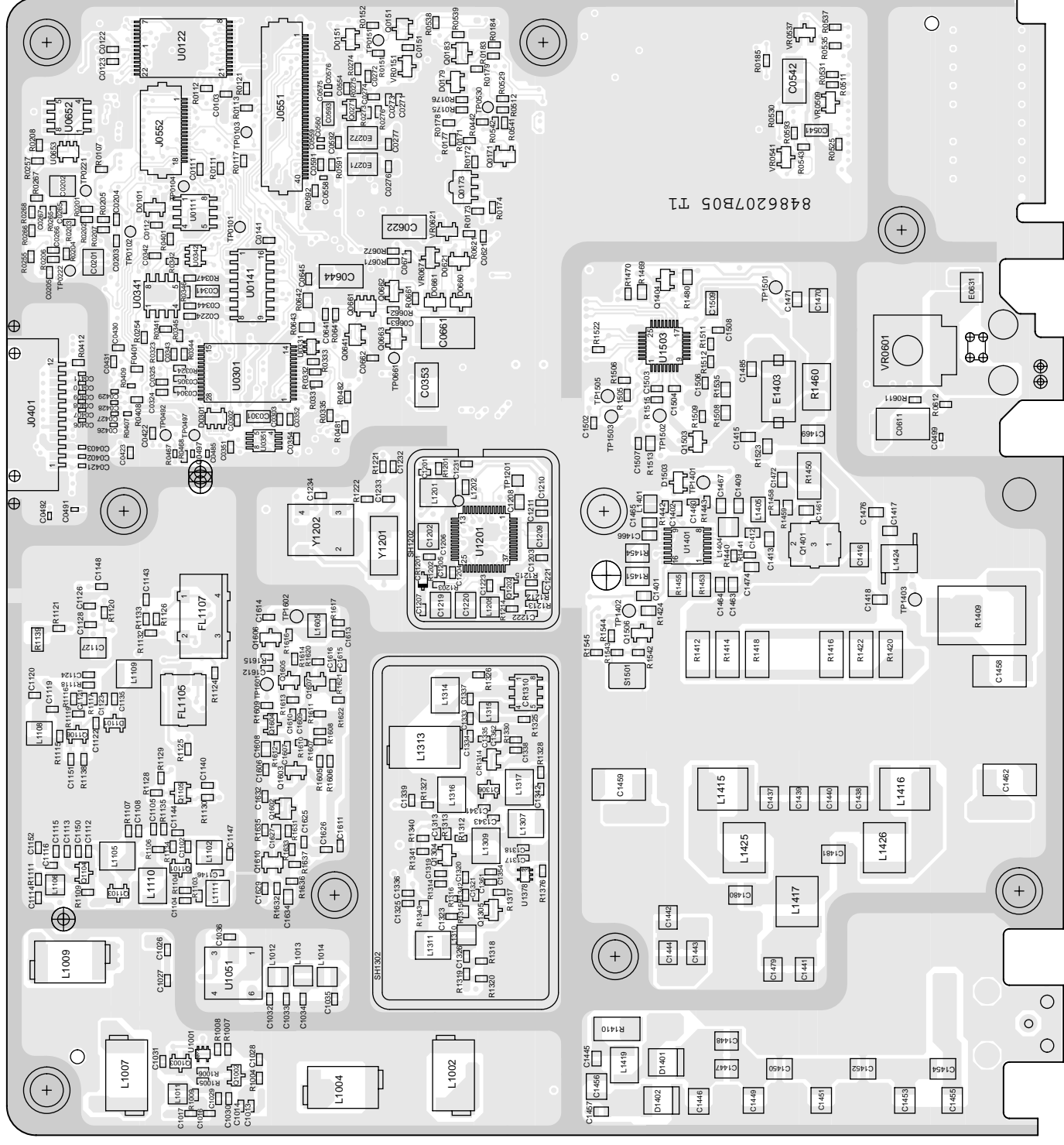
Low Band Range 1 (29.7-36.0 MHz) 8486206B08 Top Side



ZWG0131044-C

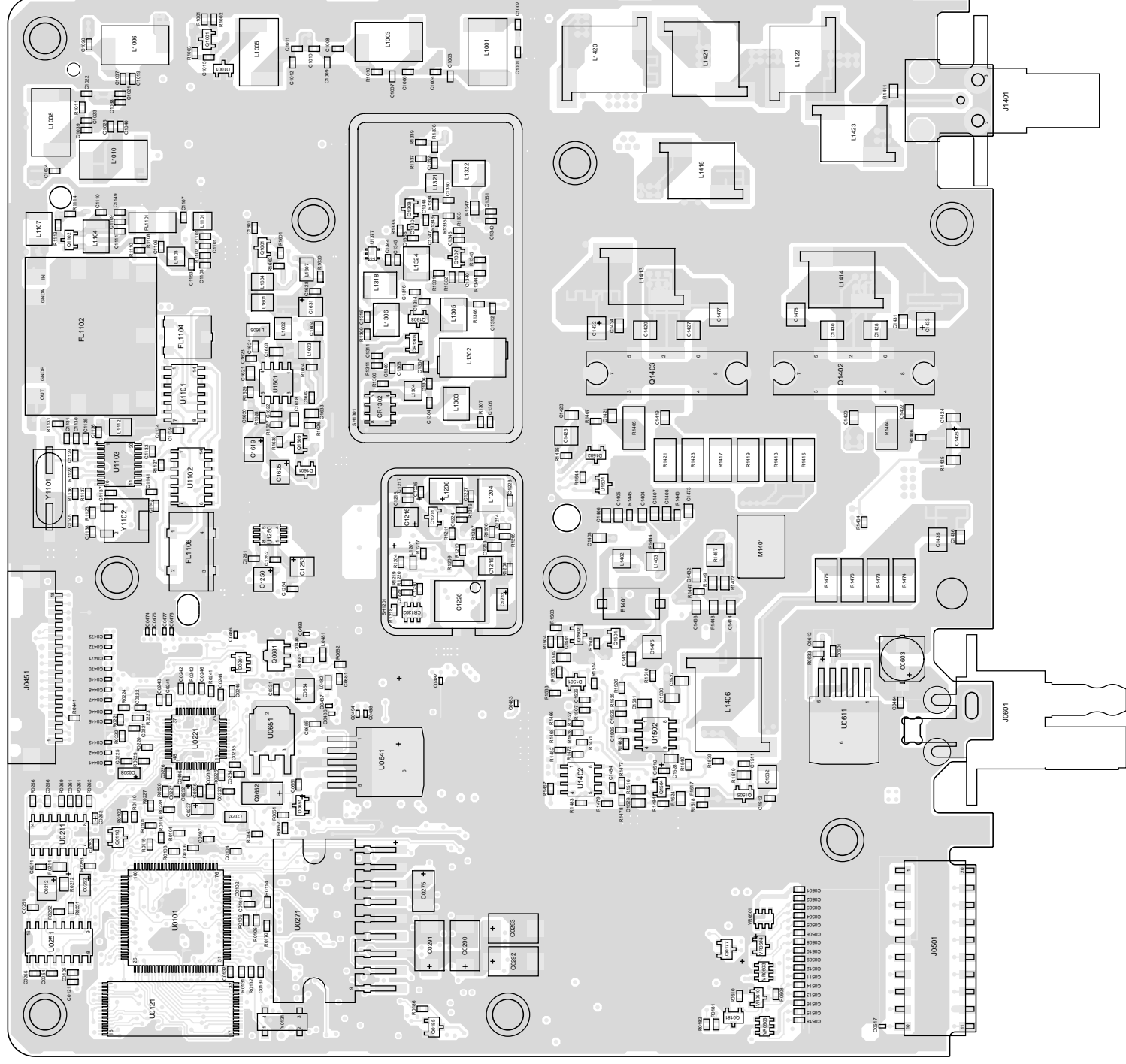
Low Band Range 1 (29.7-36.0 MHz) 8486206B08 Bottom Side



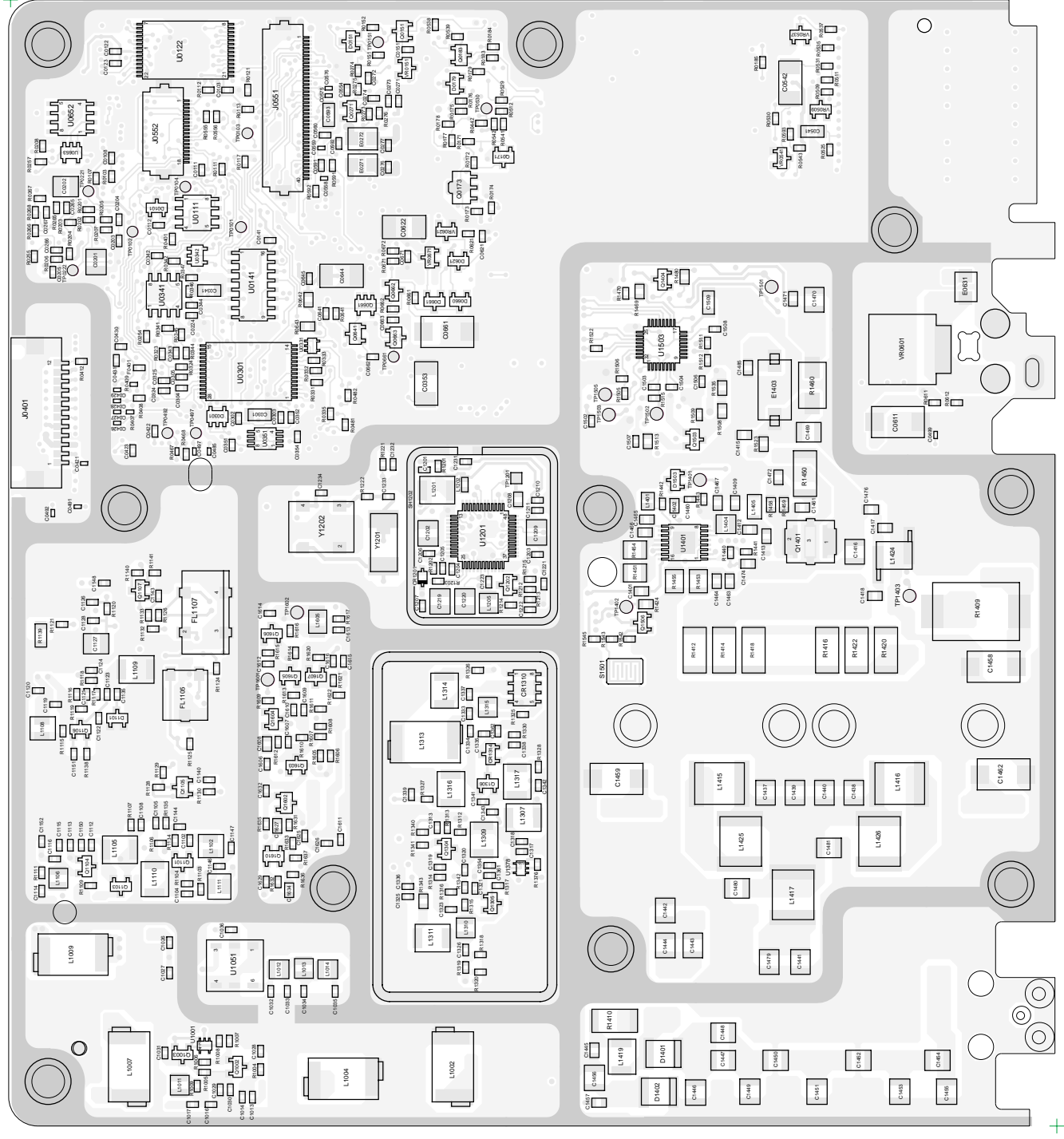


ZYG013058-C

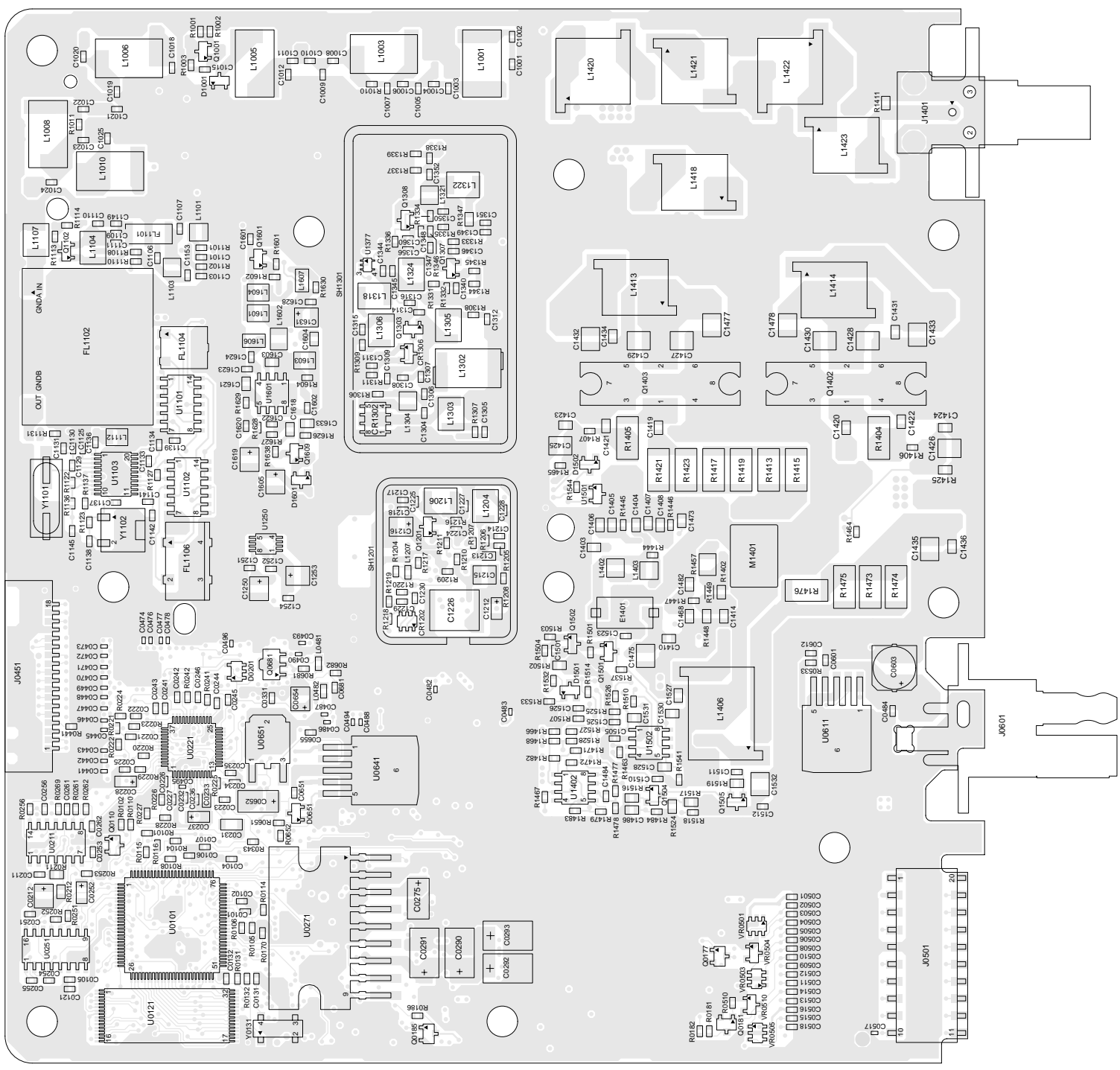
Low Band Range 2 (36.0-42.0 MHz) 8486207B05 Bottom Side



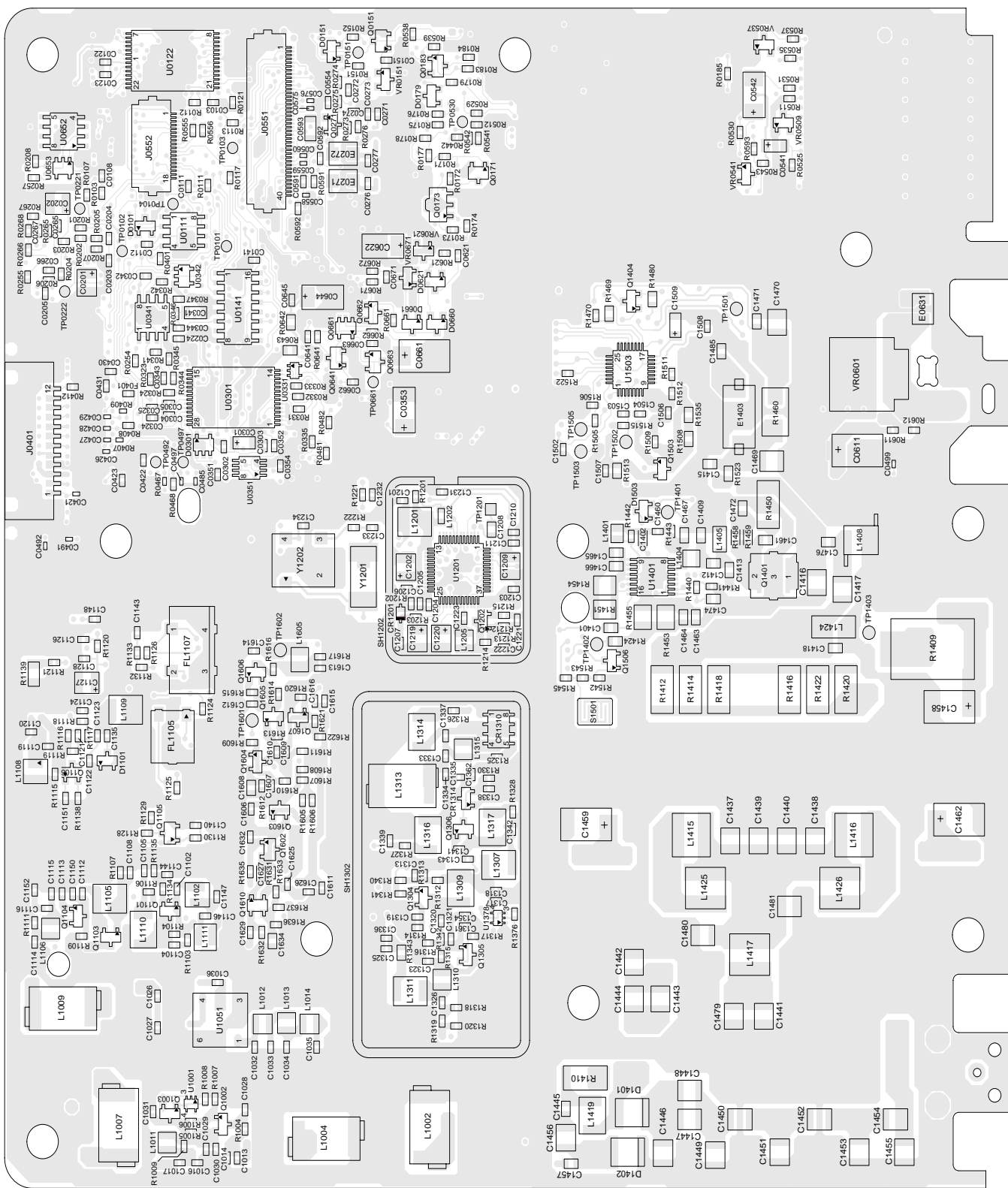
ZN/G0131045-0



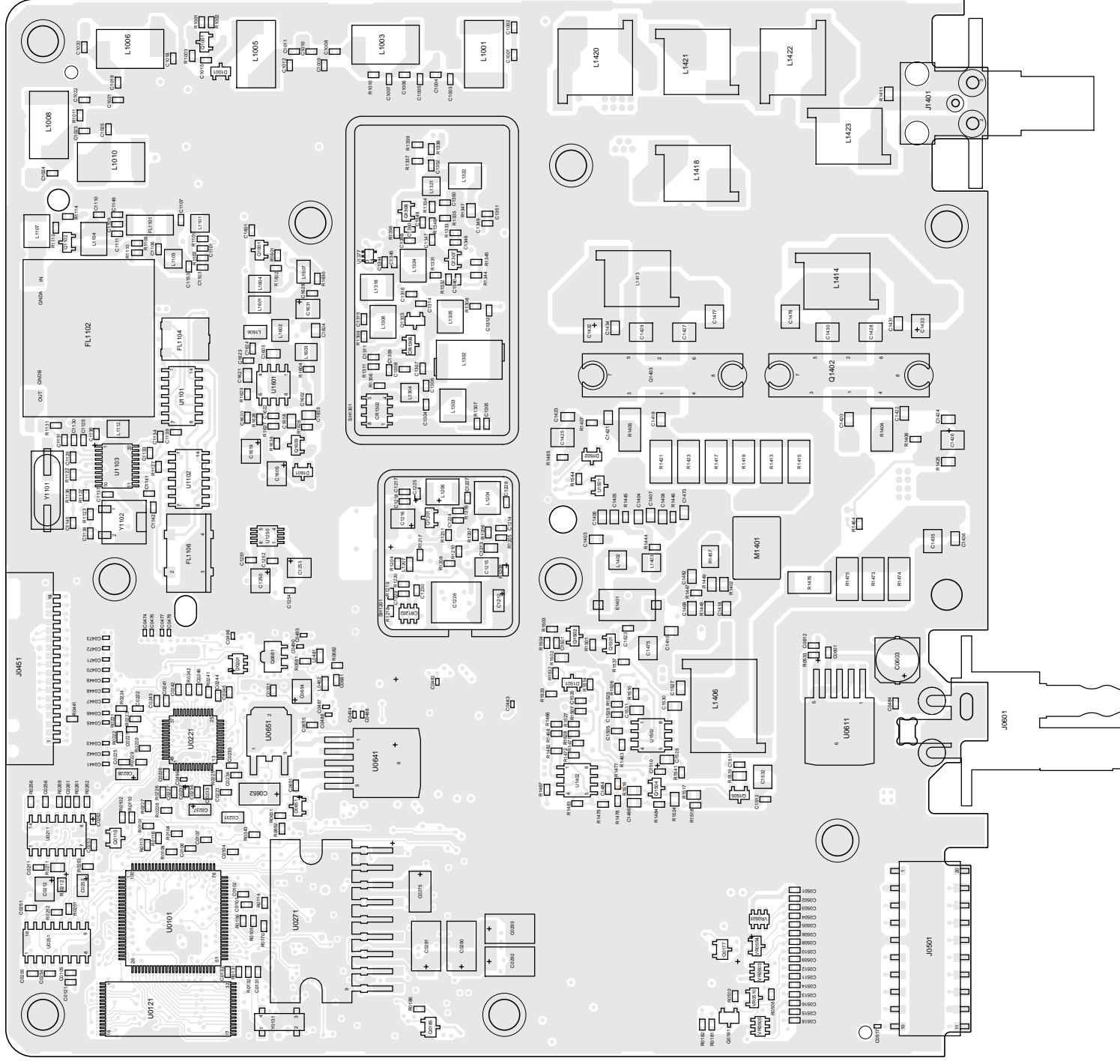
ZW60131046-0



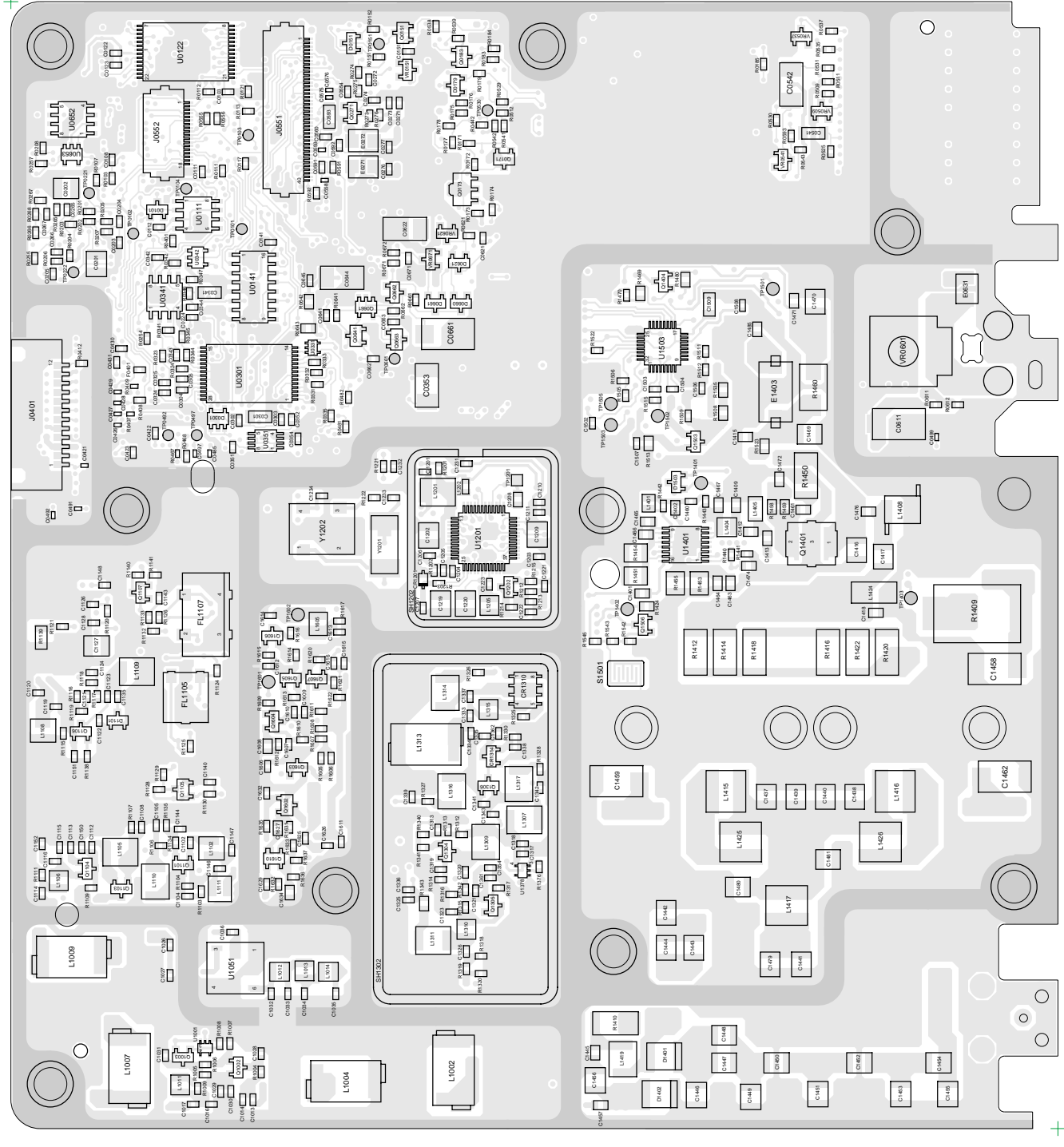
FL08306510



FL08306520

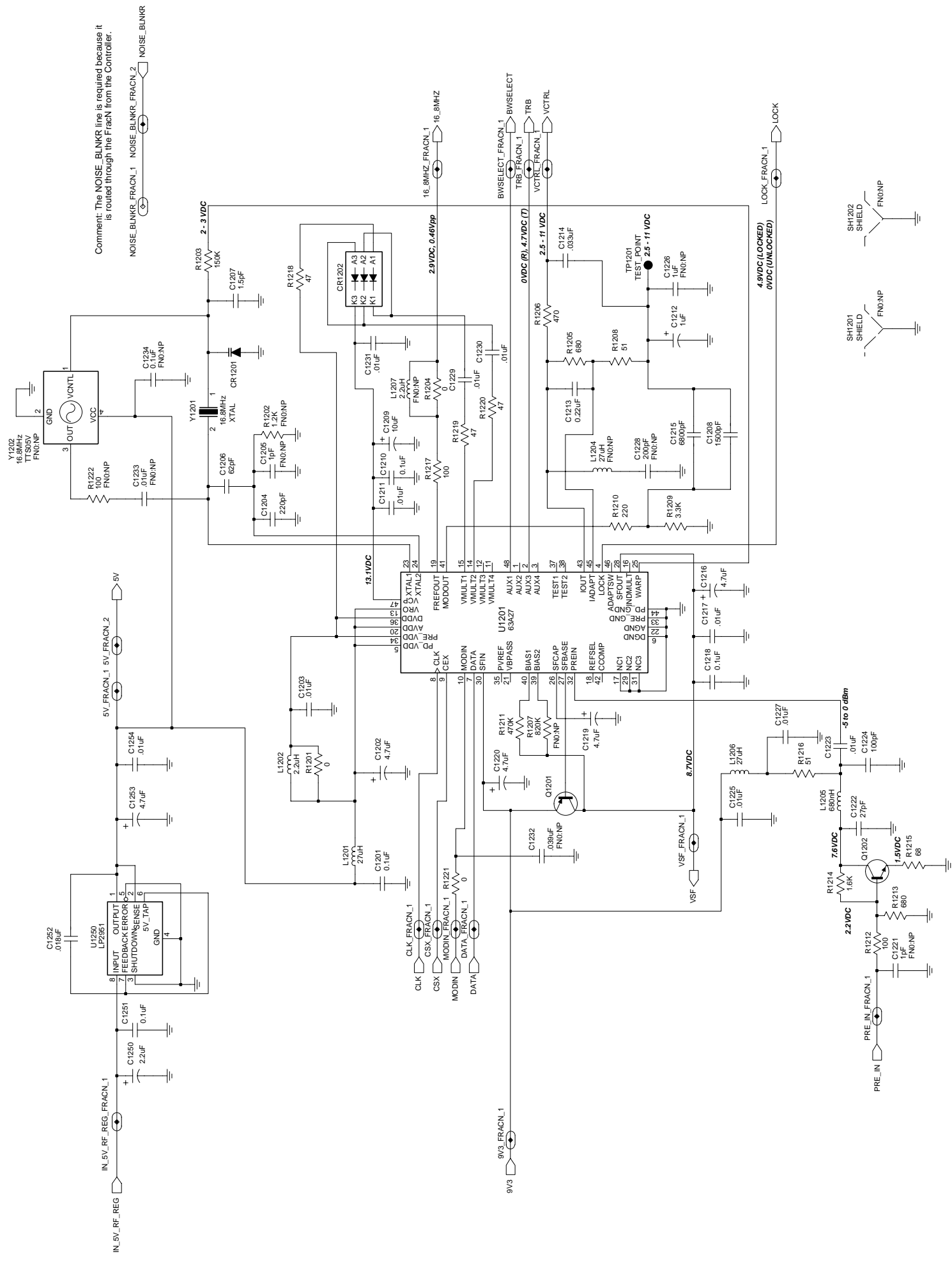


ZWG0131047-O

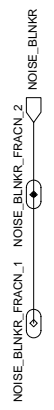


ZWG0131048-0

Low Band Range 3 (42-50 MHz) 8486908Z04 Bottom Side

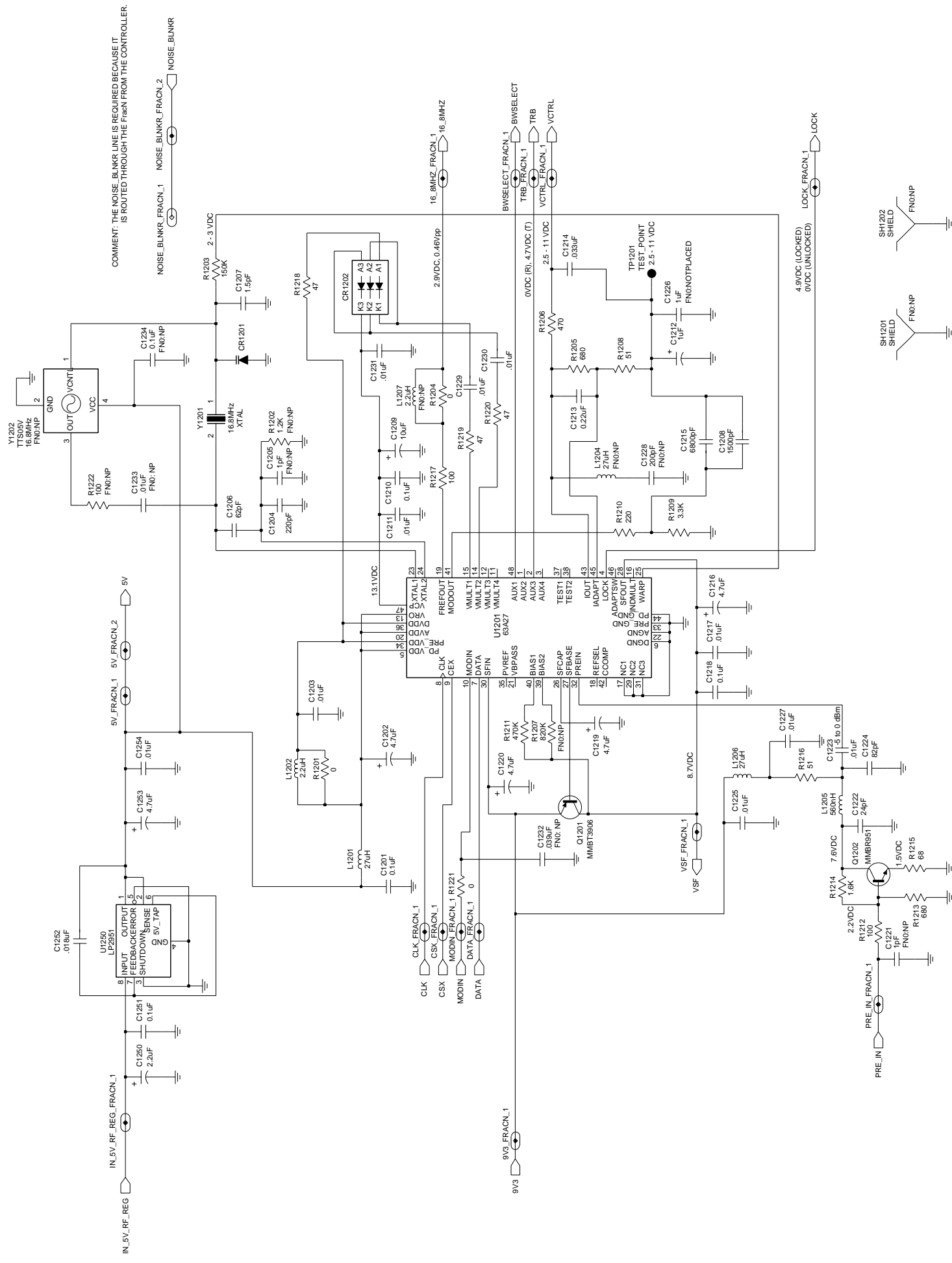


Comment: The NOISE_BLNKR line is required because it is routed through the FRACN from the Controller.



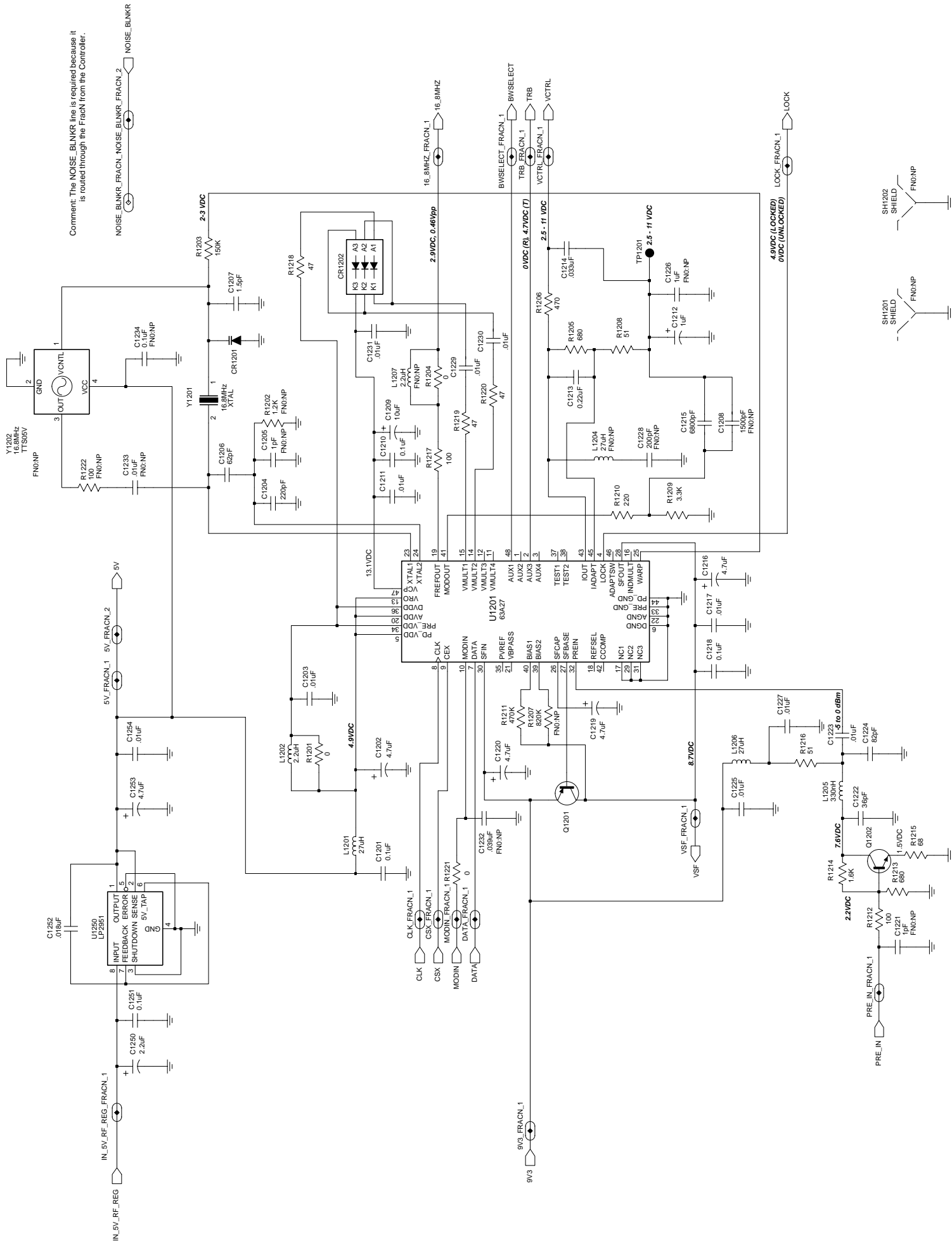
FL08306850

Low Band Range 1 (29.7-36.0 MHz) Synthesizer FRACN



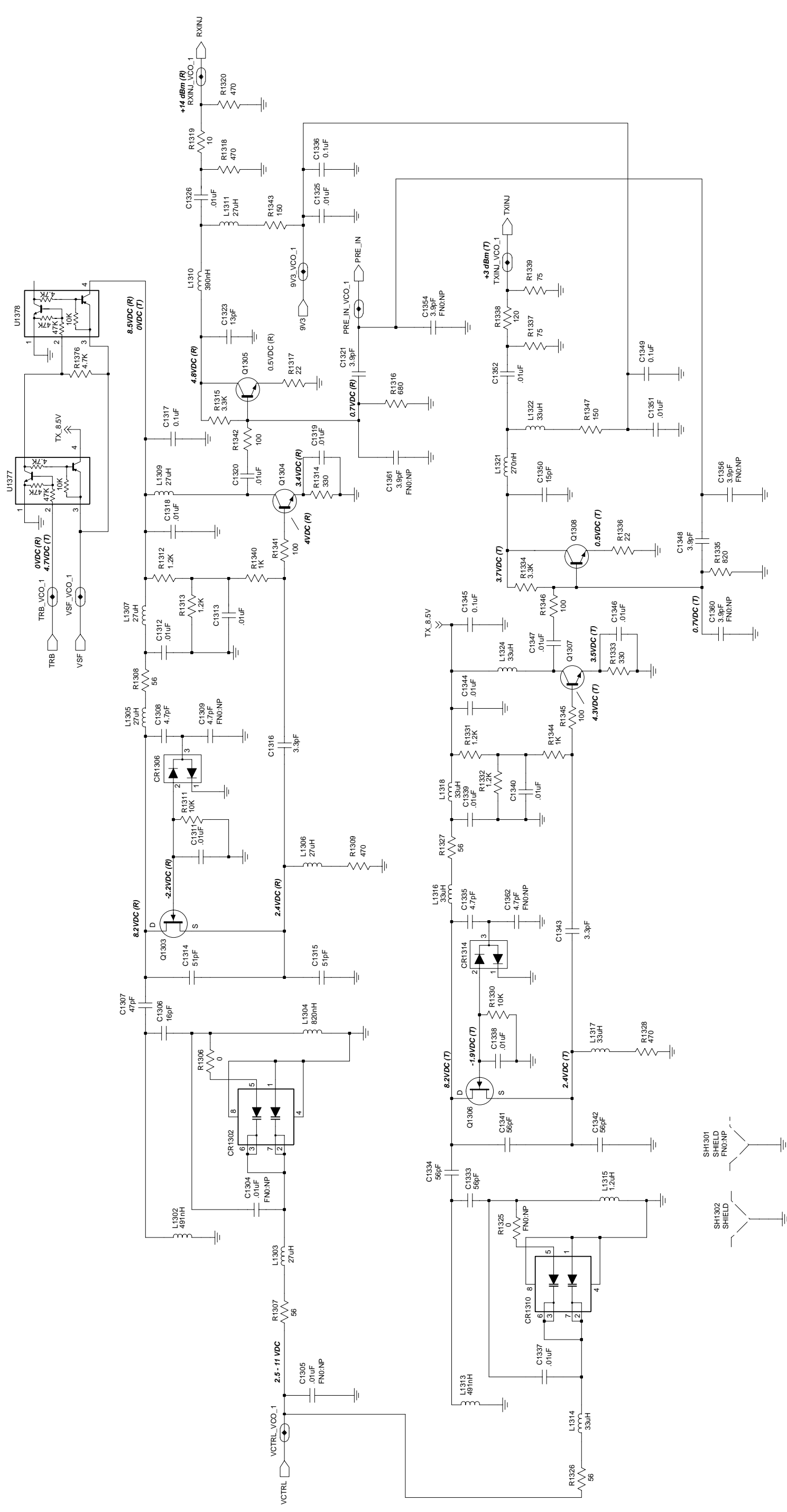
FL06503680

Low Band Range 2 (36.0-42.0 MHz) Synthesizer FRACN

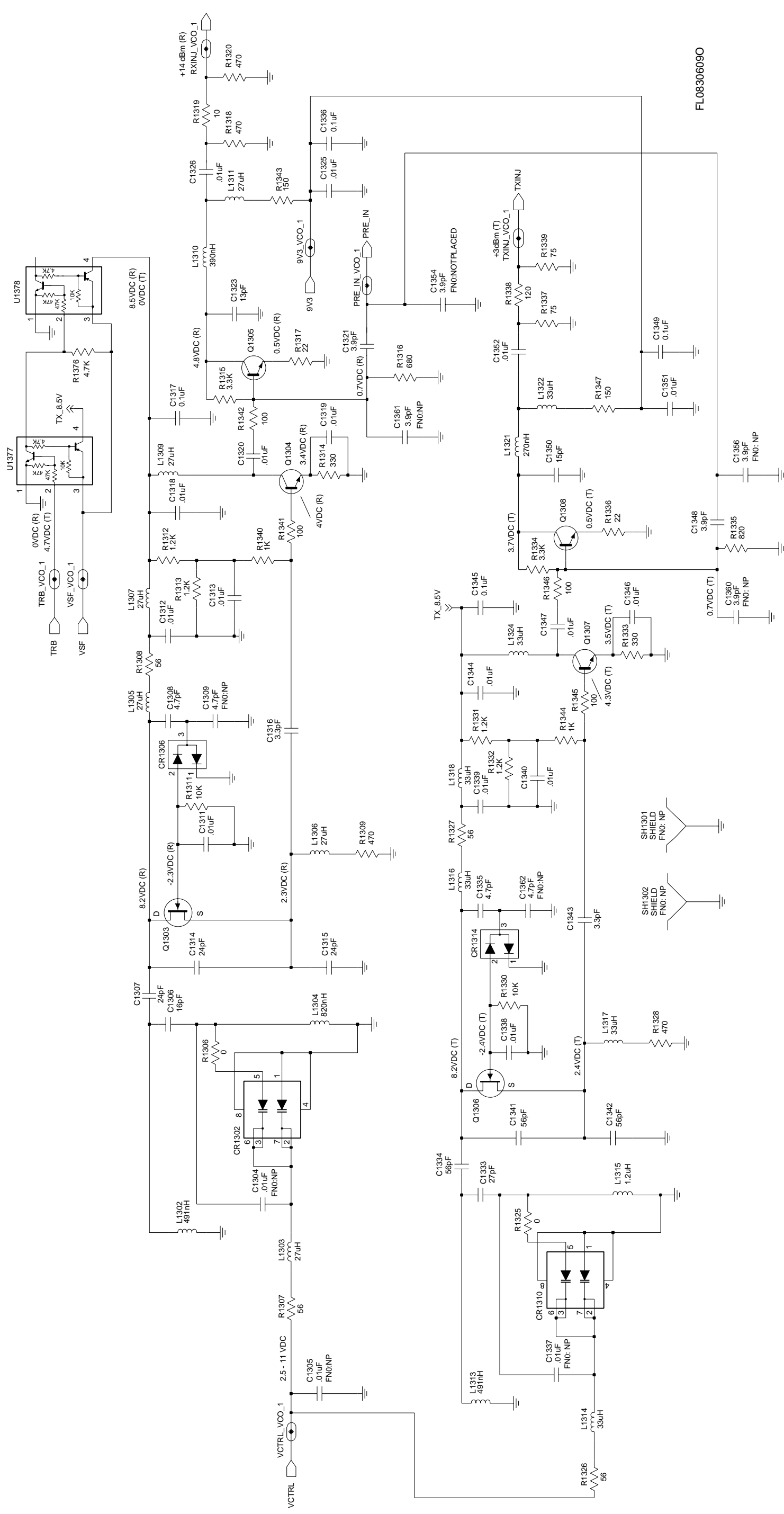


FL06306930

Low Band Range 3 (42-50 MHz) Synthesizer FRACN

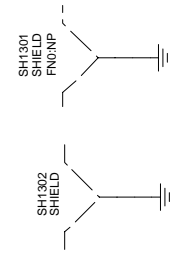
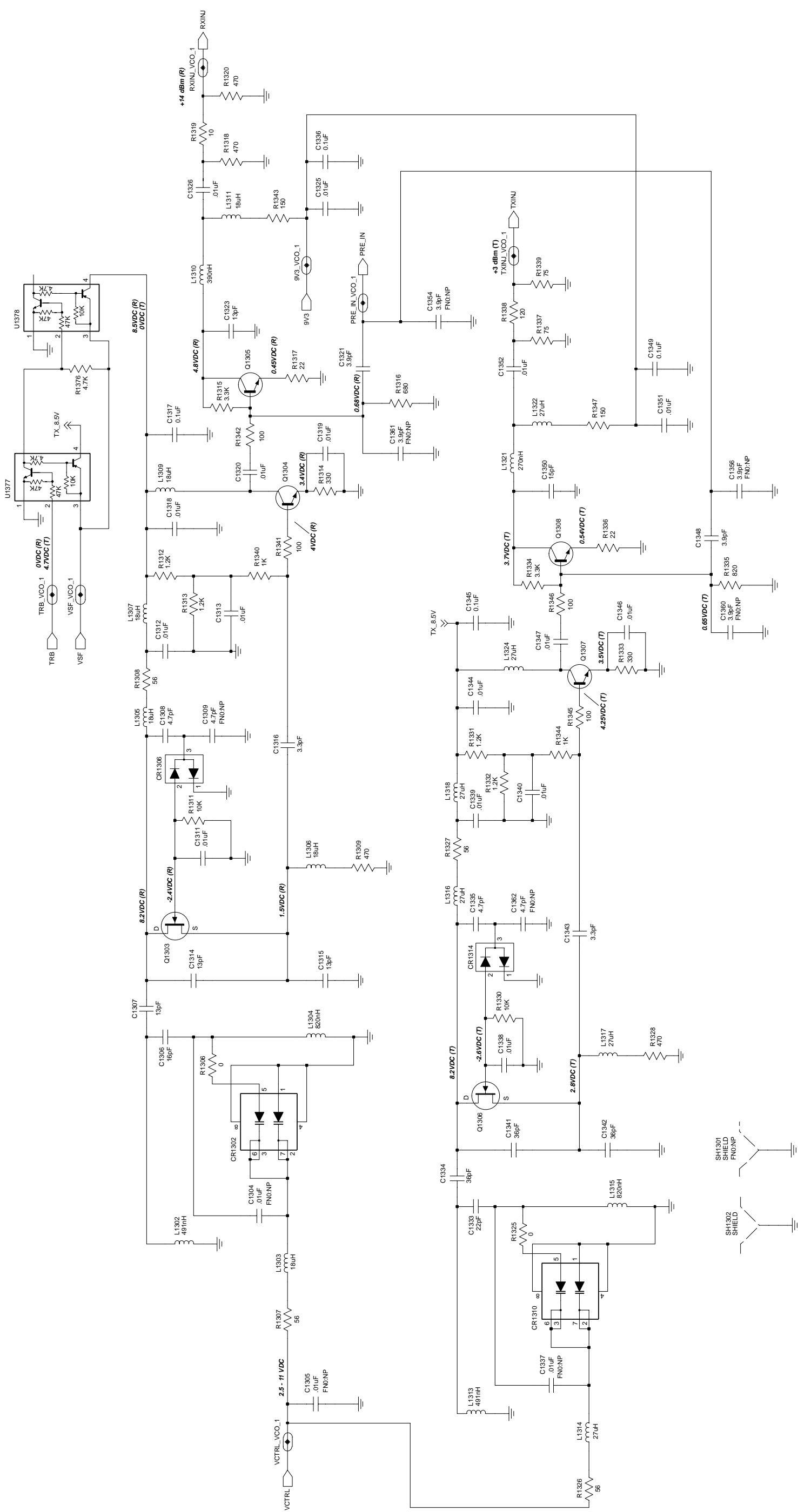


Low Band Range 1 (29.7-36.0 MHz) Voltage Controlled Oscillator

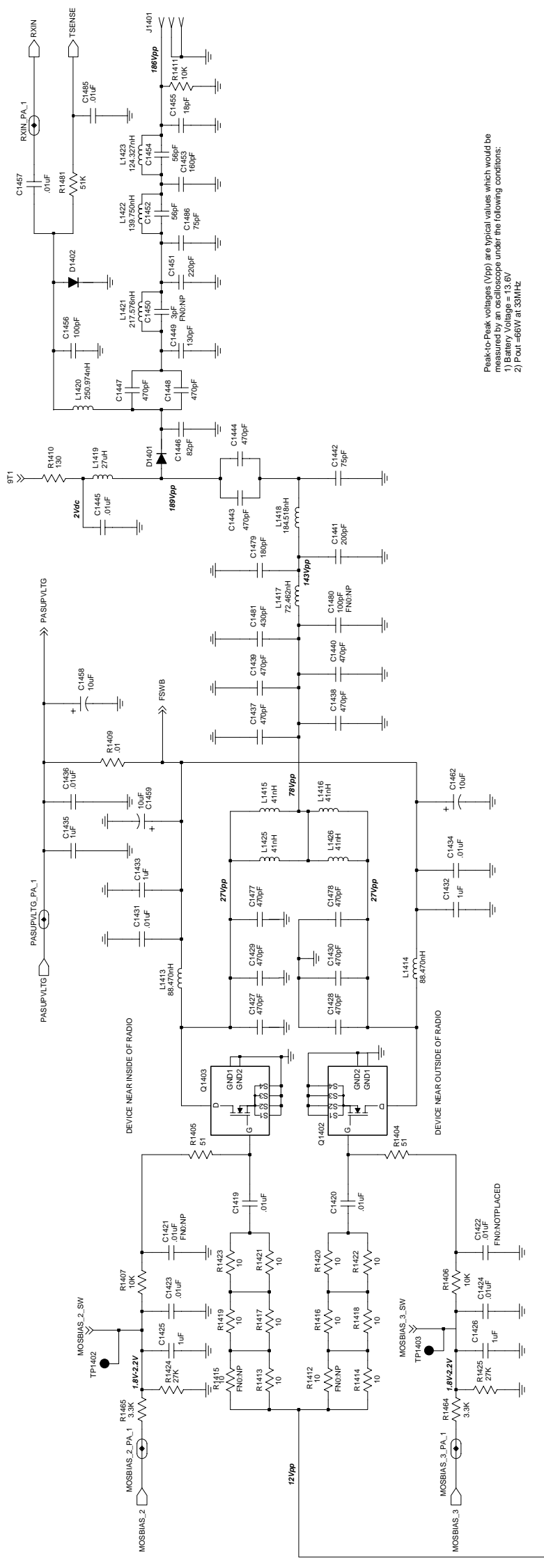


FL08306090

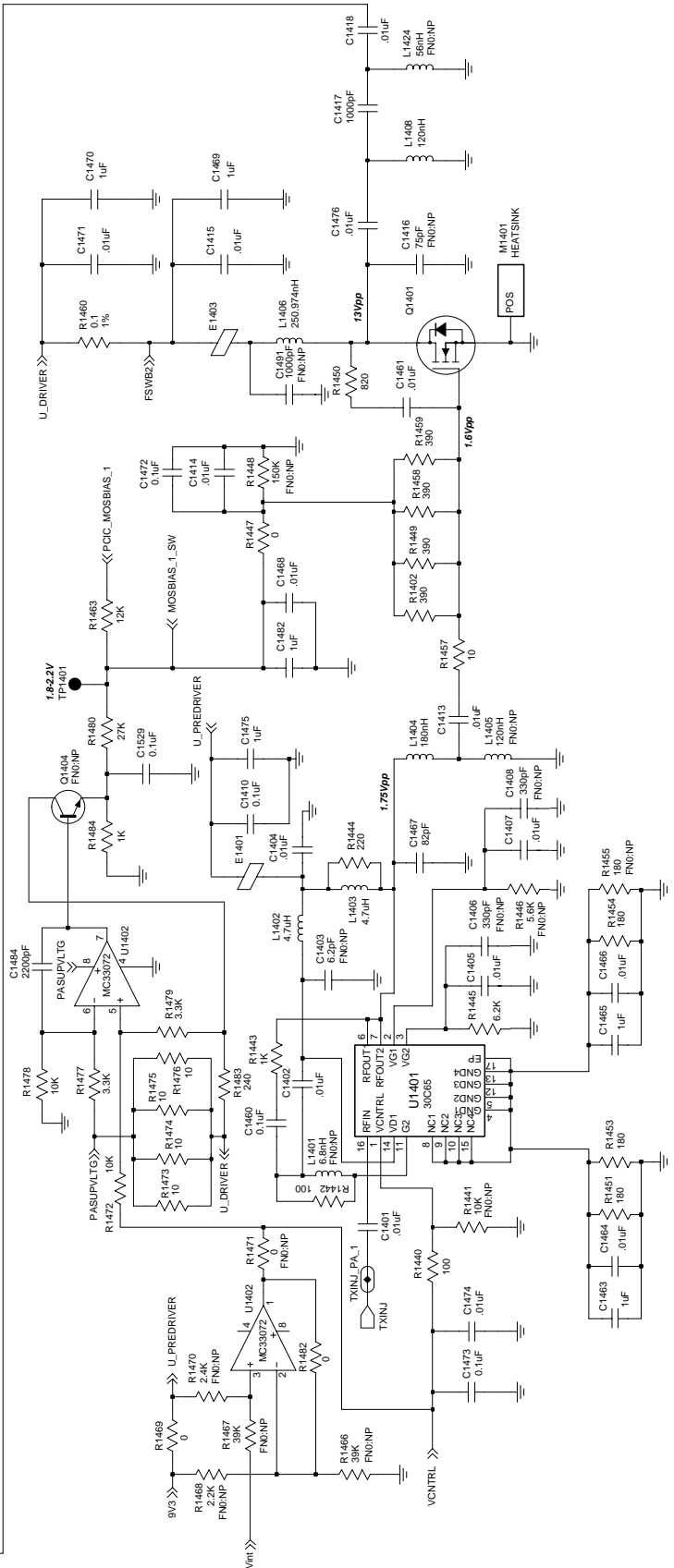
Low Band Range 2 (36.0-42.0 MHz) Voltage Controlled Oscillator



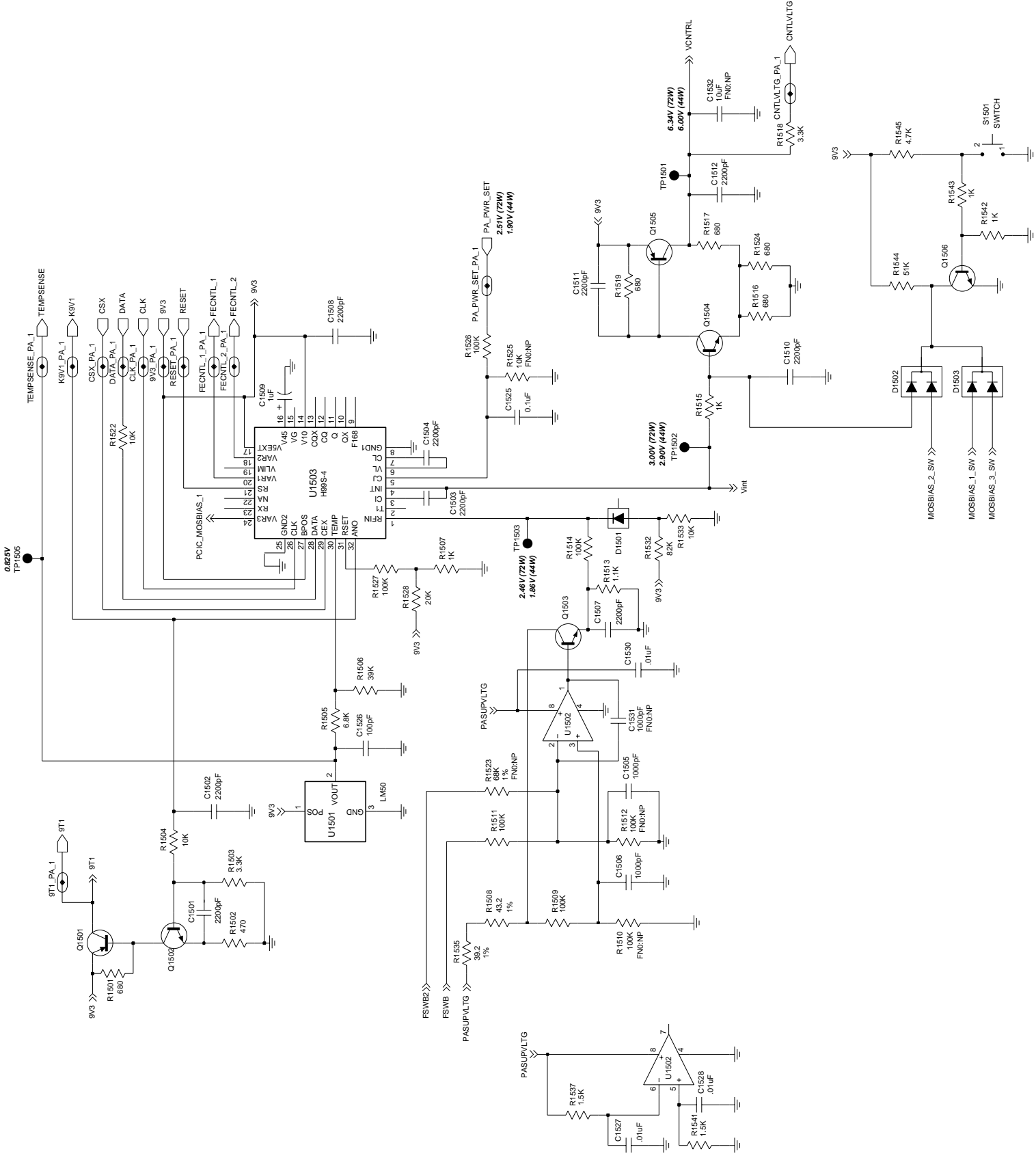
Low Band Range 3 (42-50 MHz) Voltage Controlled Oscillator



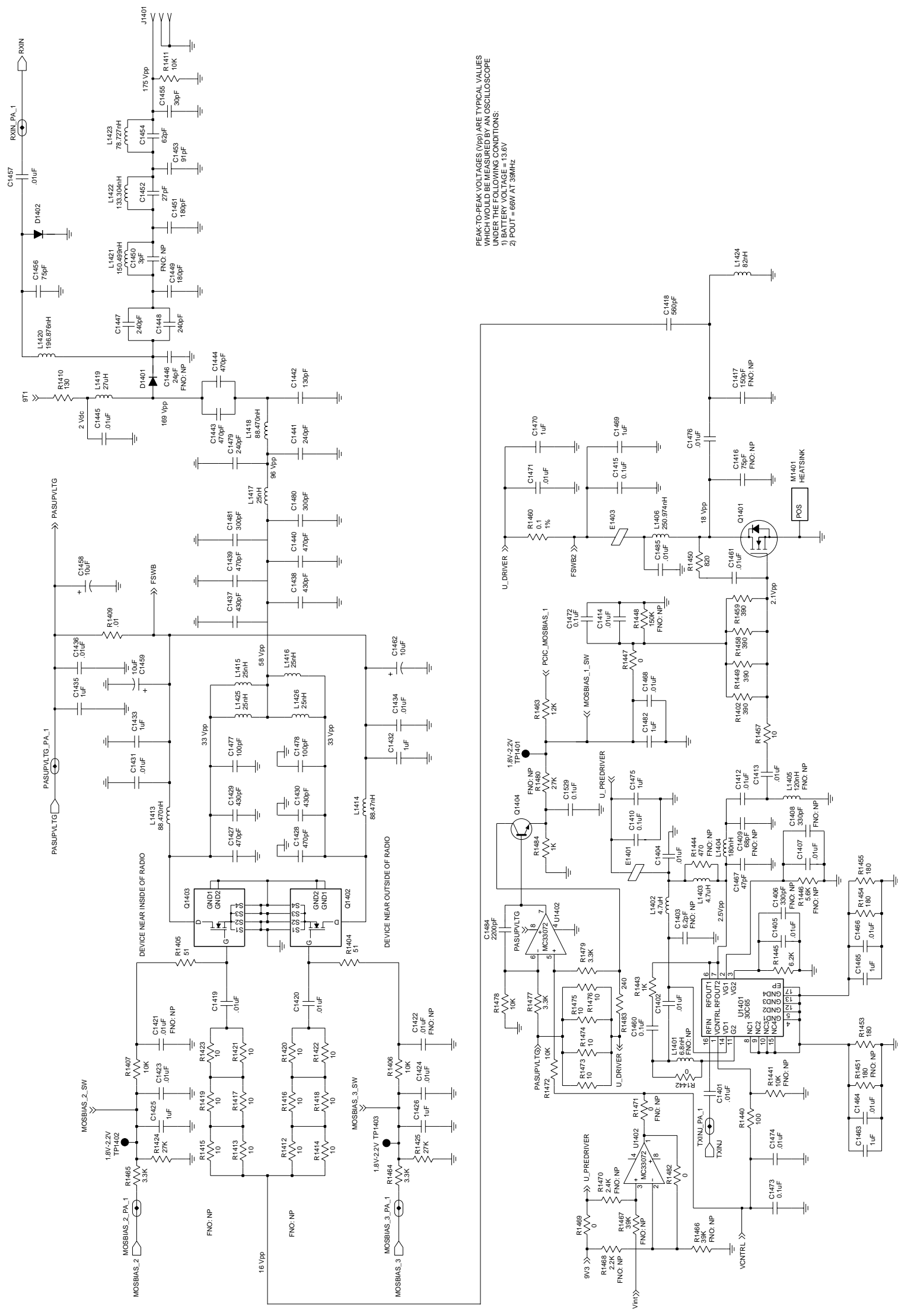
Peak-to-Peak voltages (Vpp) are typical values which would be measured by an oscilloscope under the following conditions:
 1) Battery Voltage = 13.5V
 2) Pout = 46W at 33MHz



FL08308870

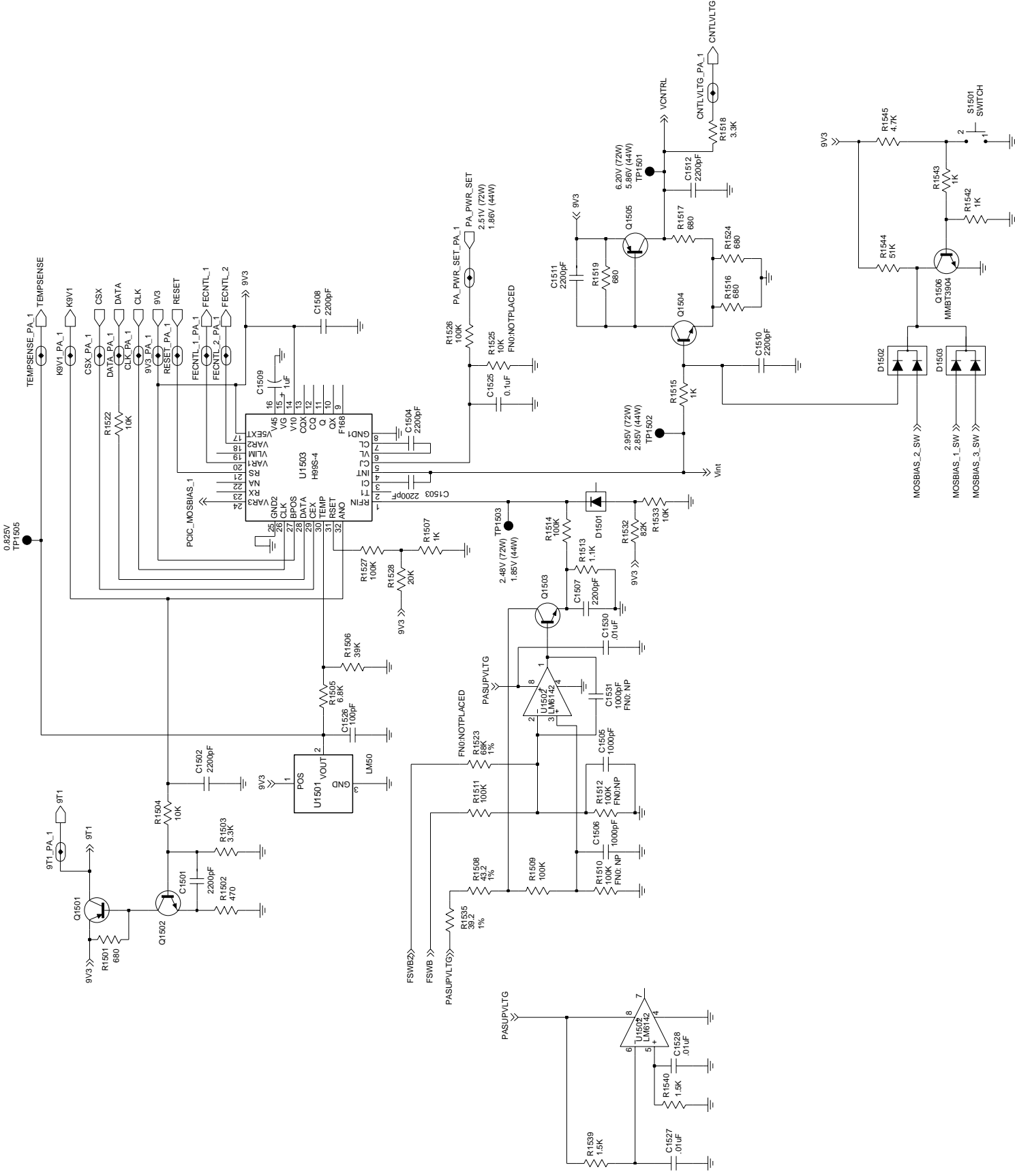


FLO8306880

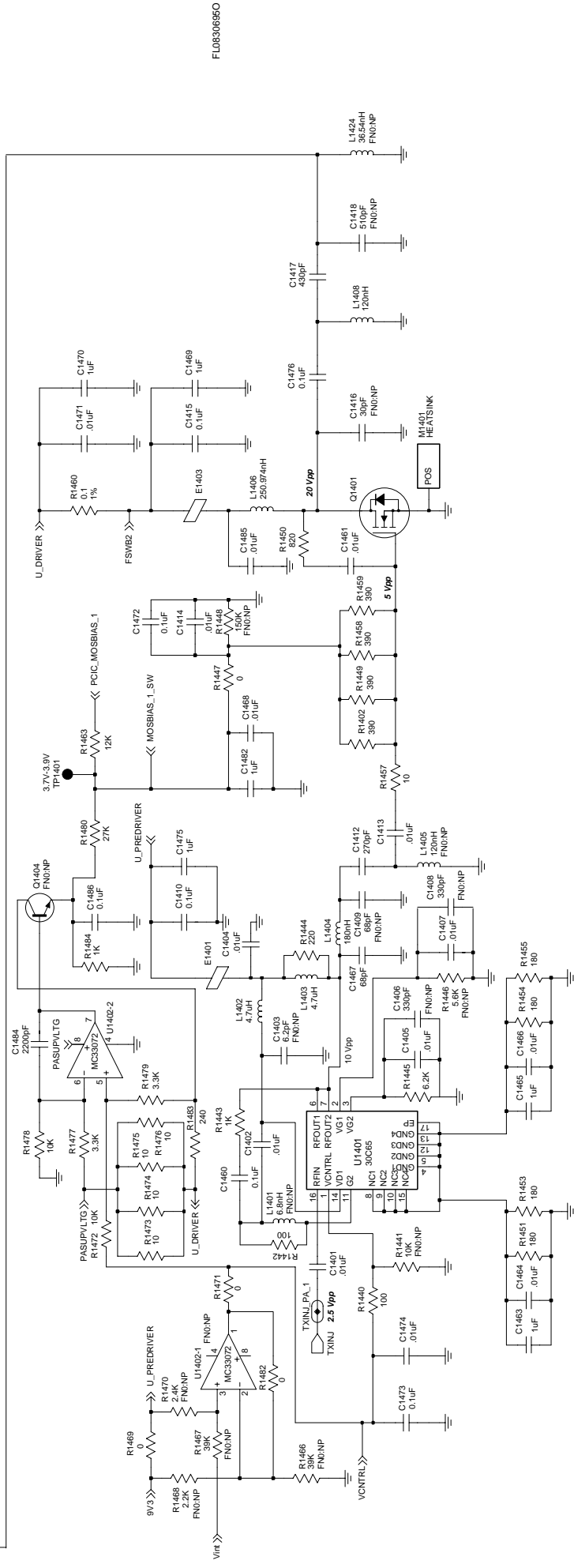
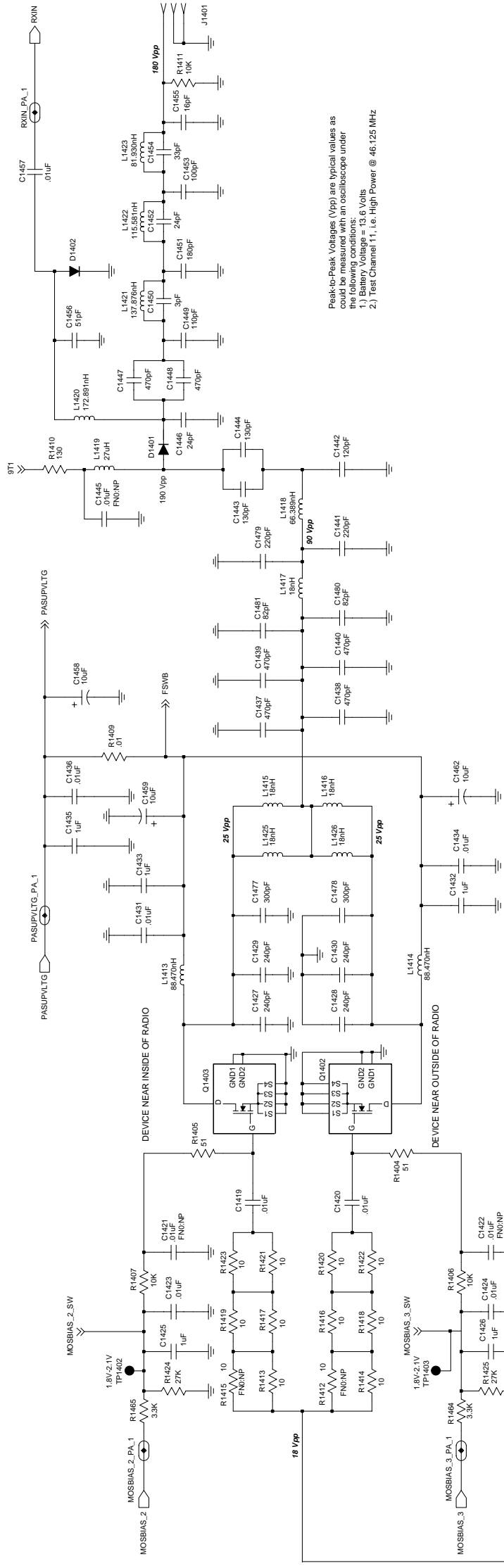


PEAK-TO-PEAK VOLTAGES (Vpp) ARE TYPICAL VALUES WHICH WOULD BE MEASURED BY AN OSCILLOSCOPE UNDER THE FOLLOWING CONDITIONS:
 1) POUT = 60W AT 38MHz
 2) POUT = 66W AT 39MHz

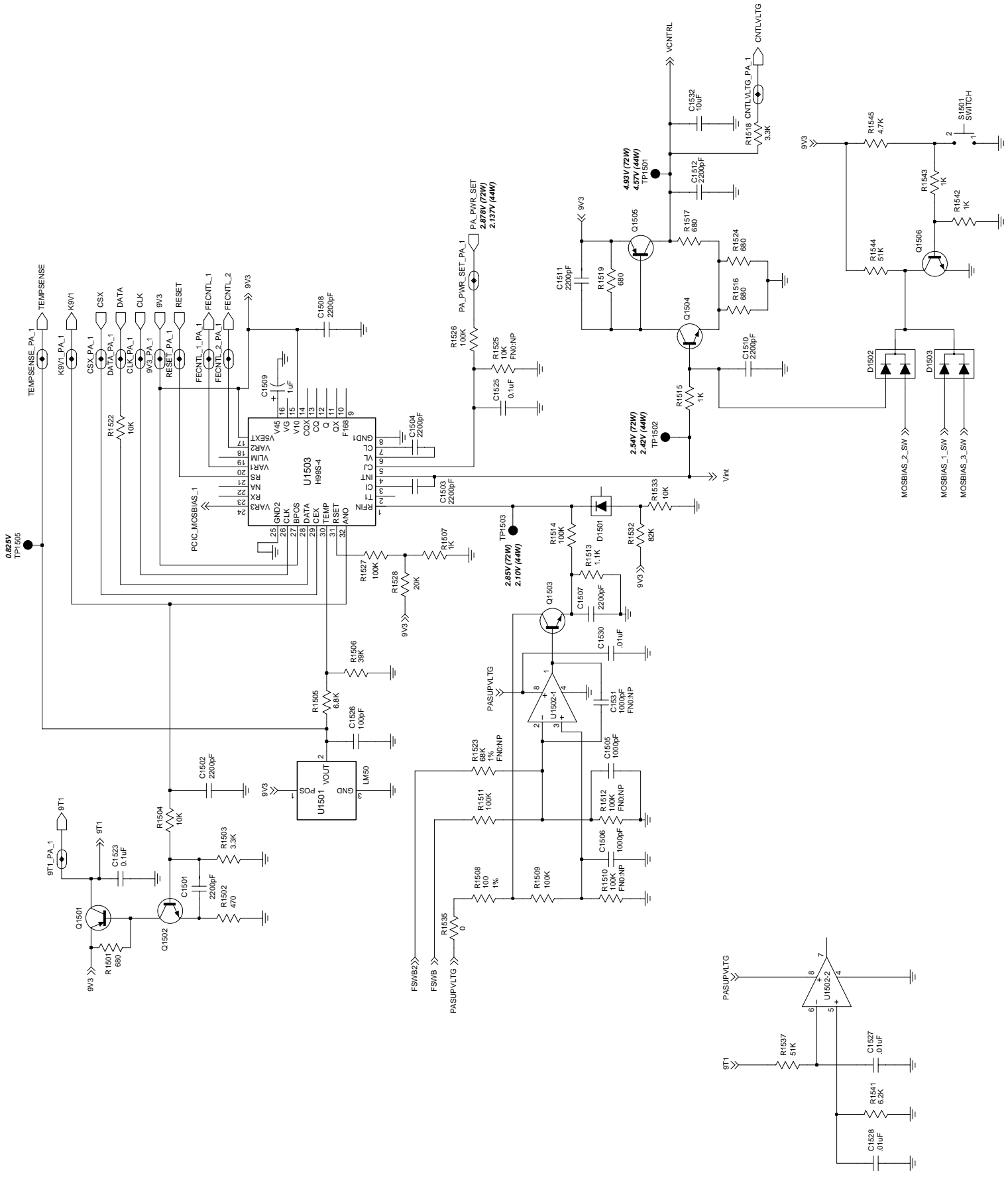
FL0830607A



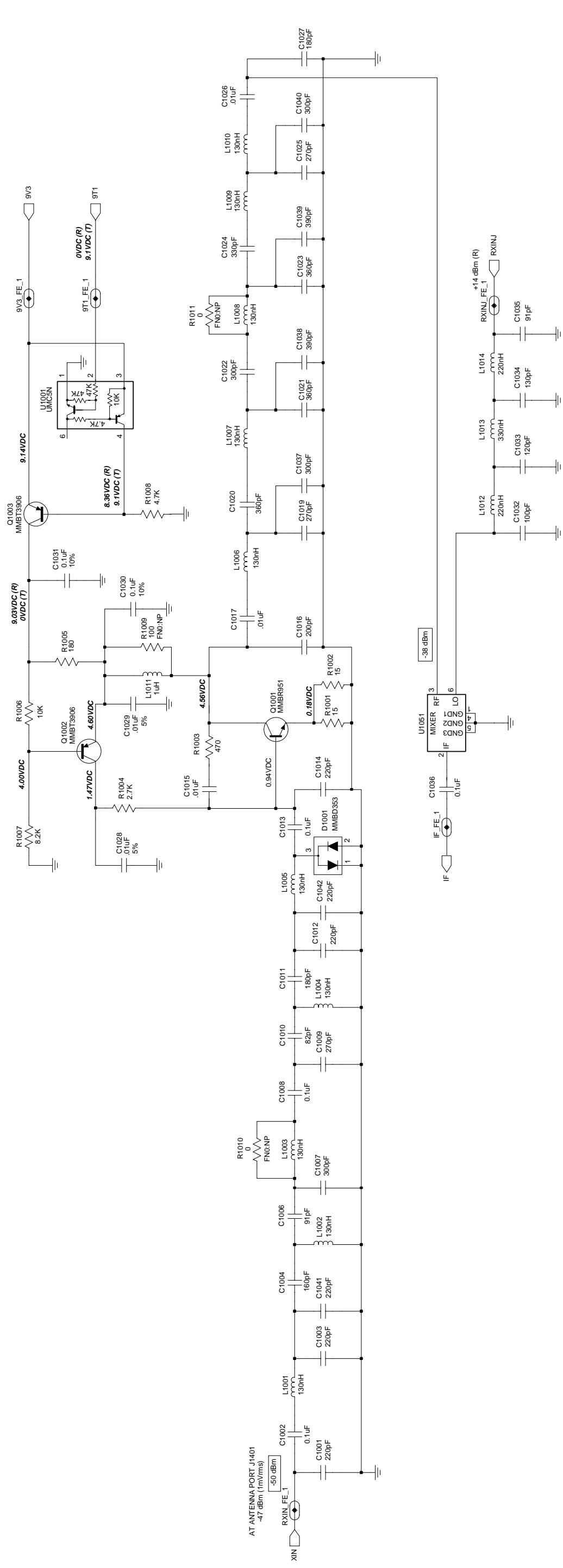
FLO836070
SHEET 2



FL08306850

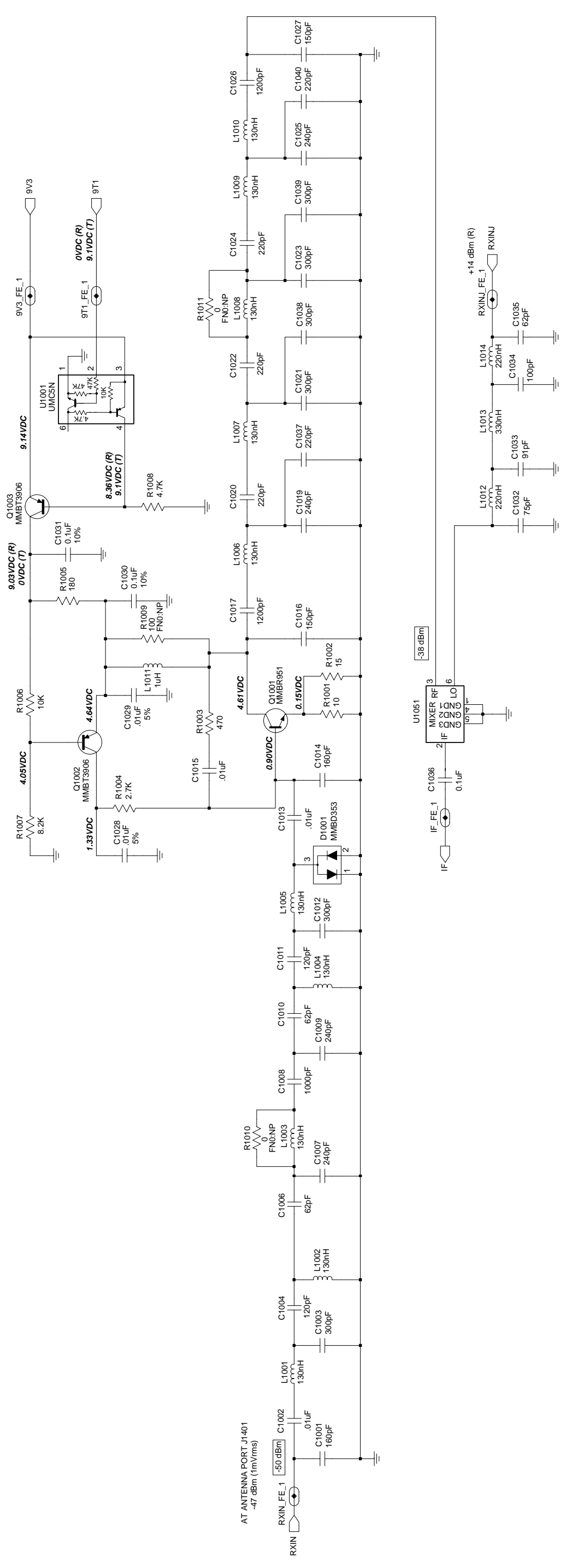


FL08306960

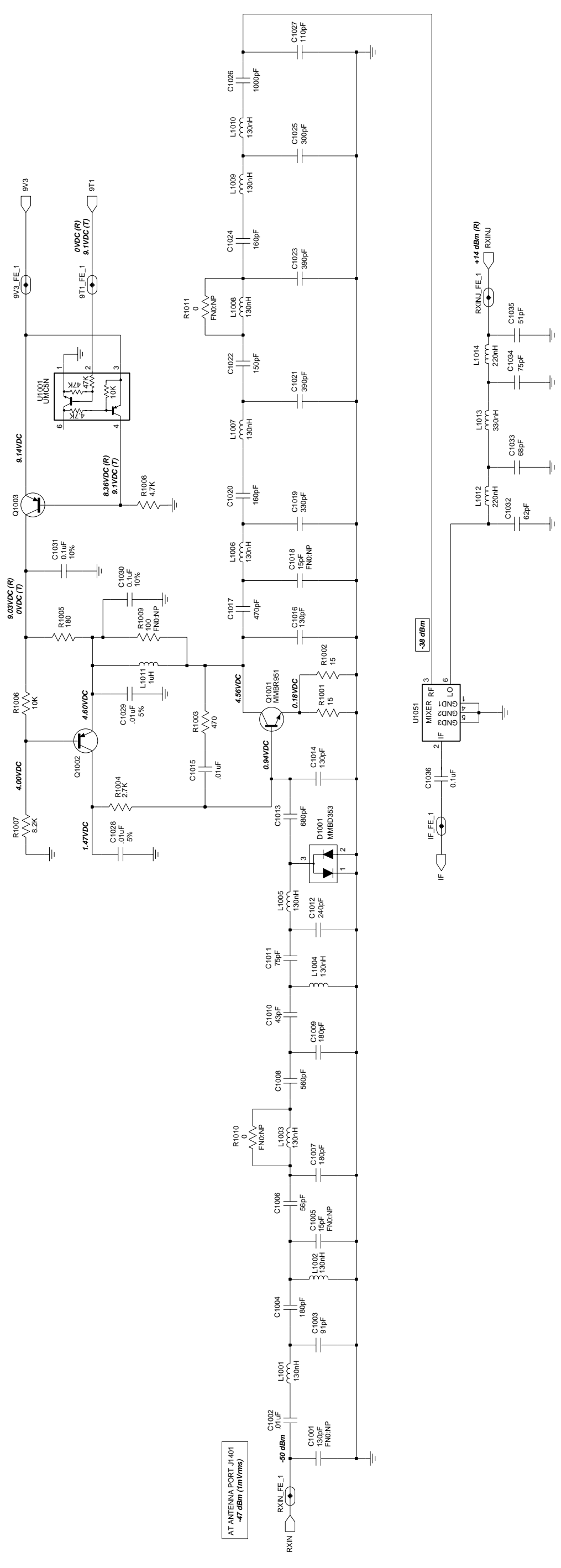


FL08306890

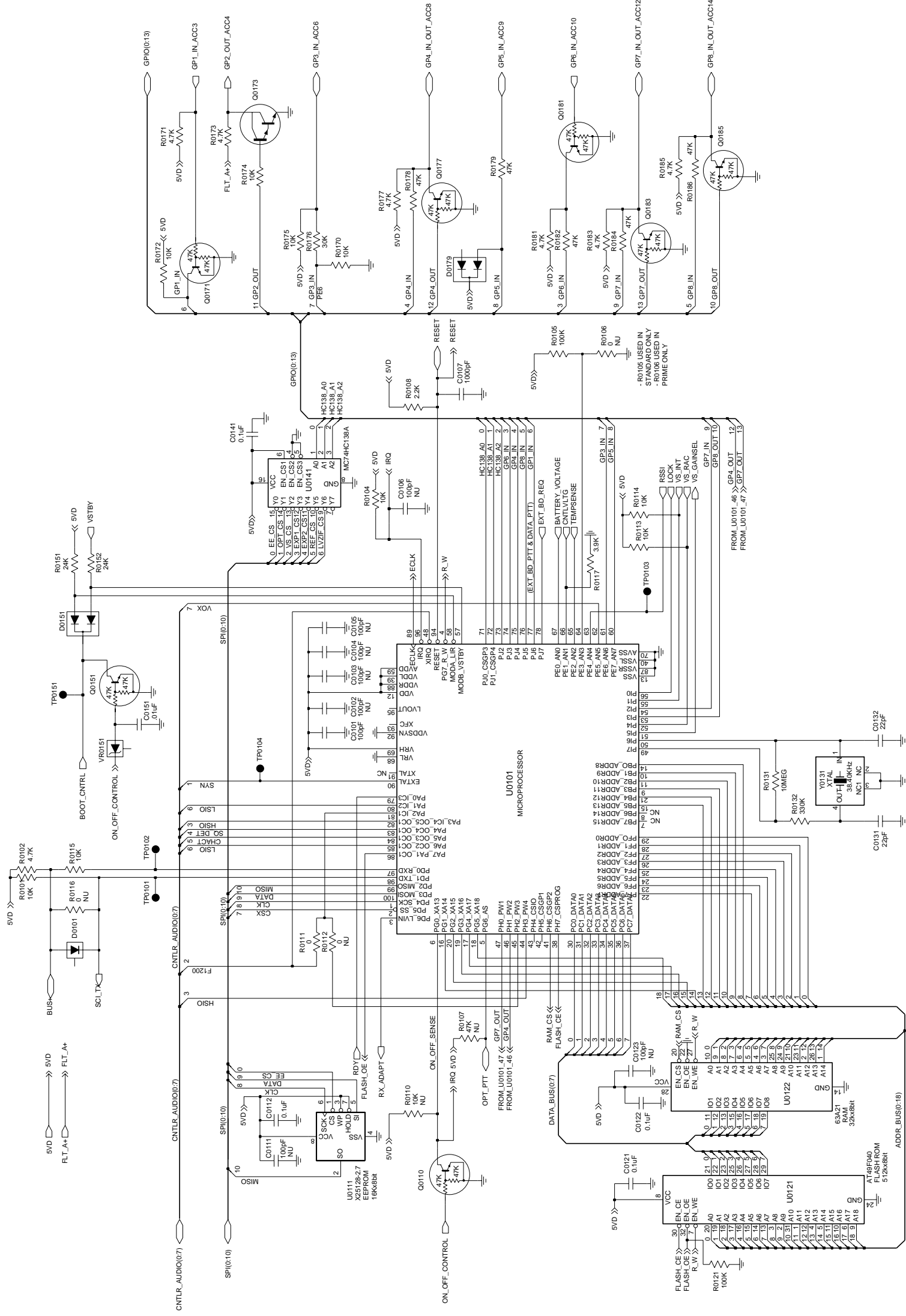
Low Band Range 1 (29.7-36.0 MHz) Receiver Front End



FL0830599A

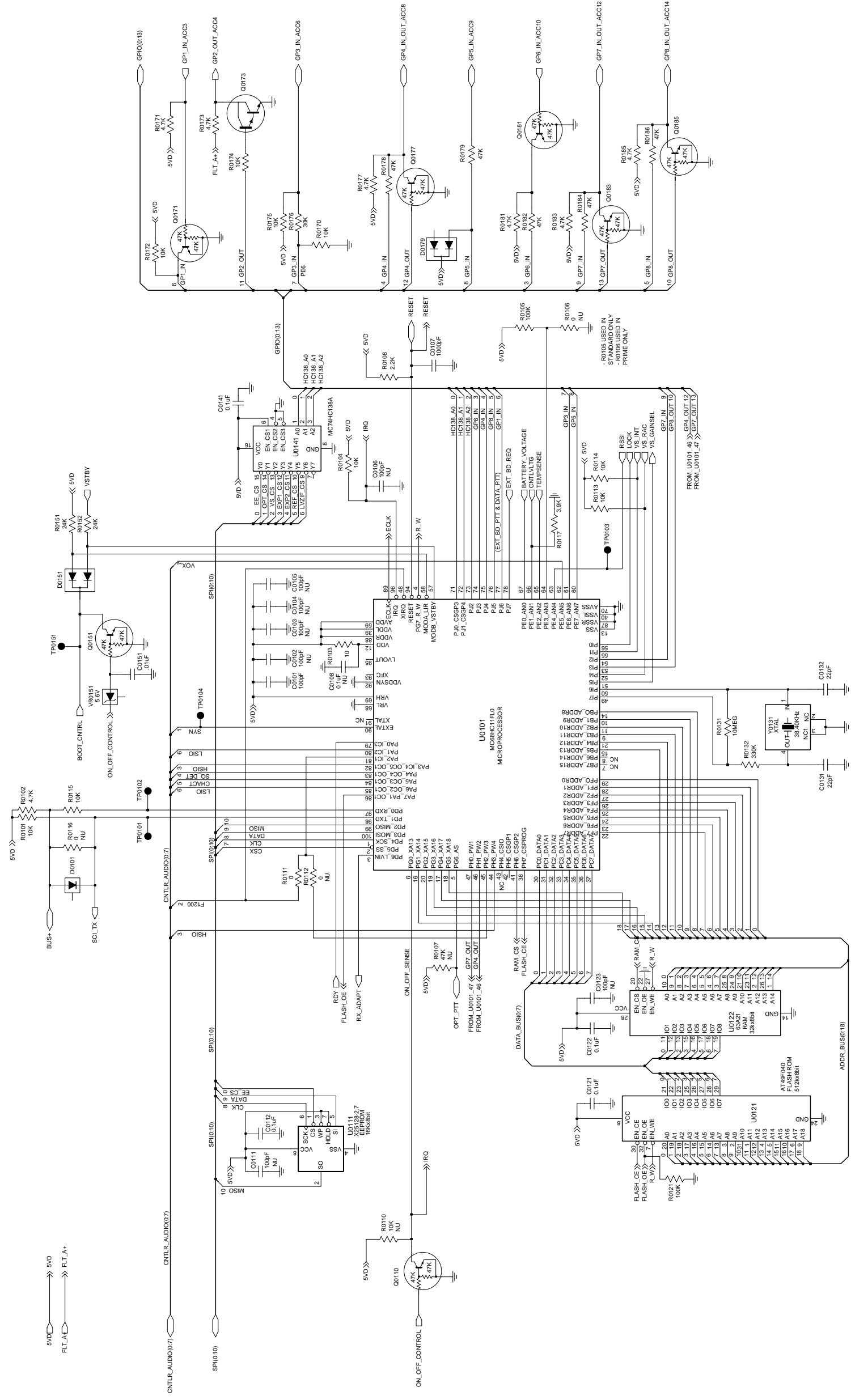


FL08306870



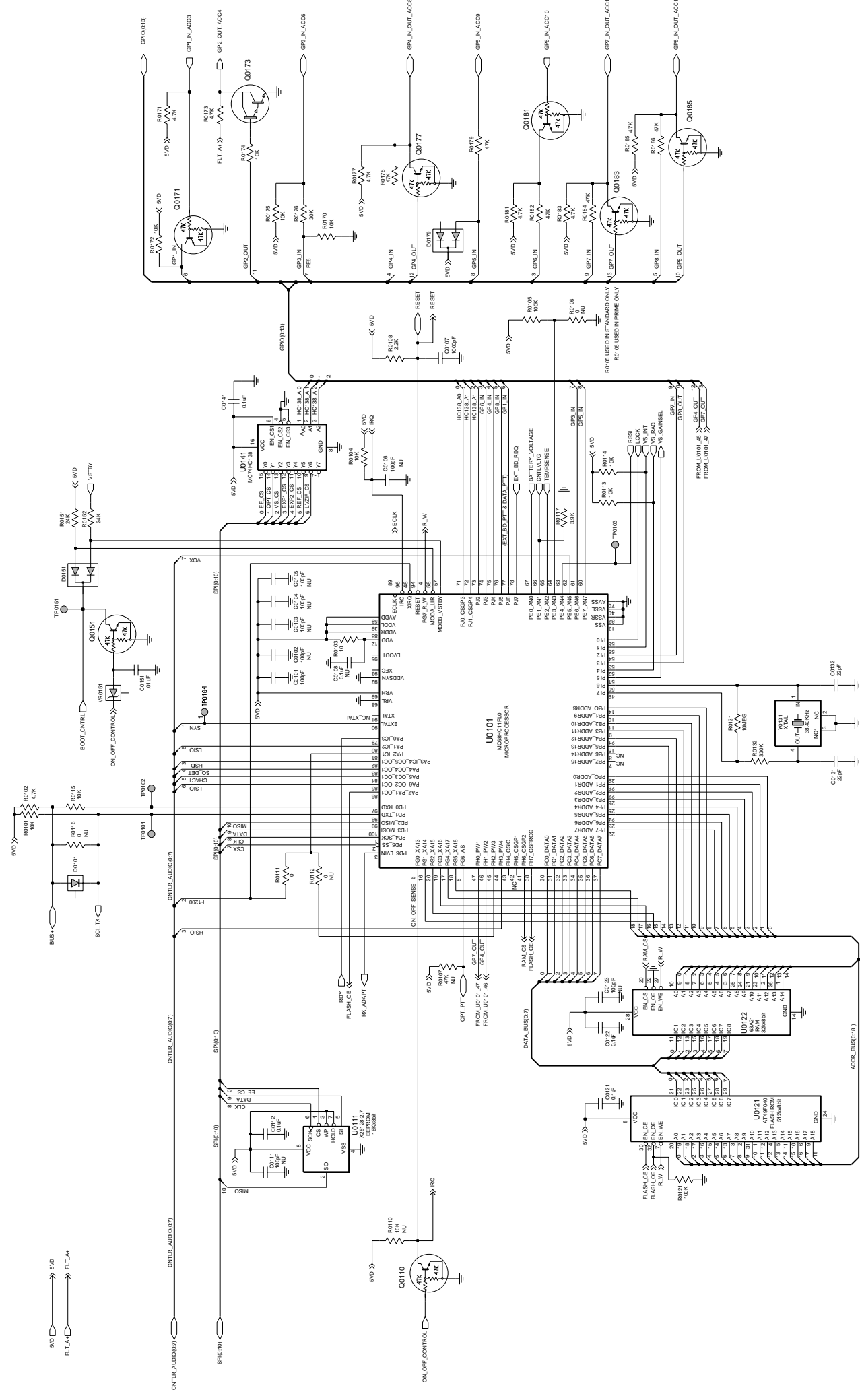
FL08306800

Low Band Range 1/2 Controller - T6
(for PC Boards 8486206B06 & 8486207B05)



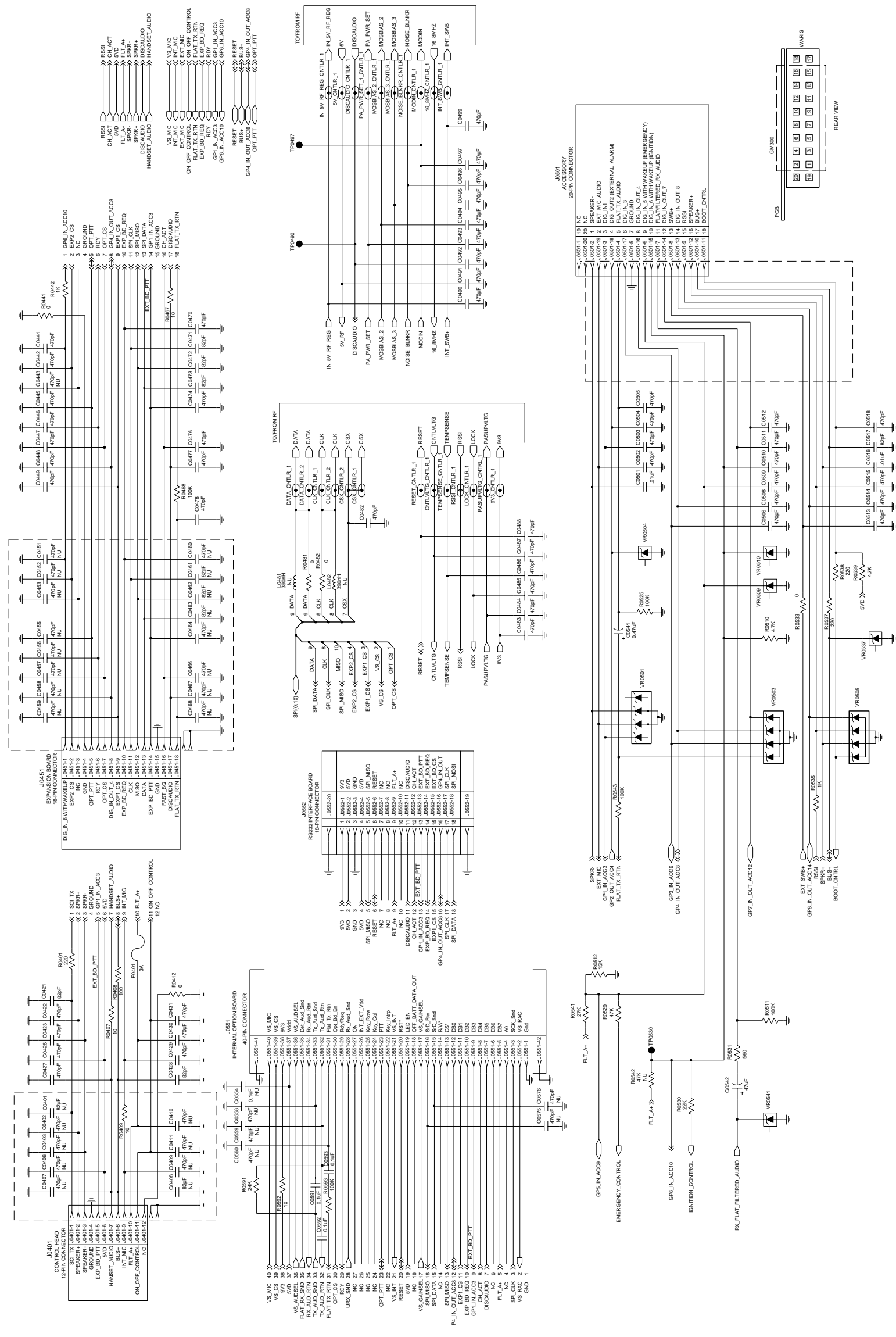
FL08506840

Low Band Range 3 Controller-T9 (for PC Board 8486908Z02)

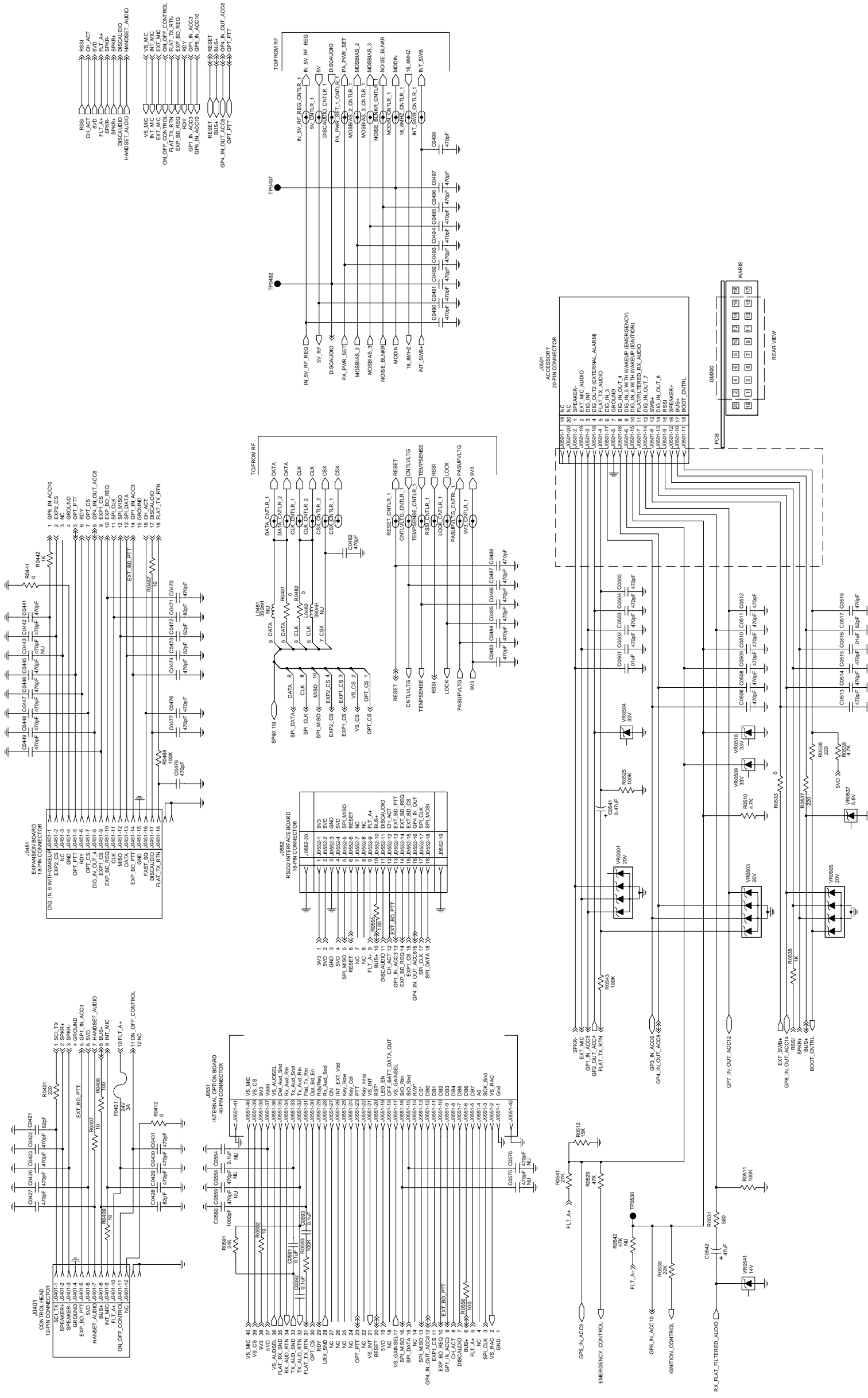


ZWG0131049-C

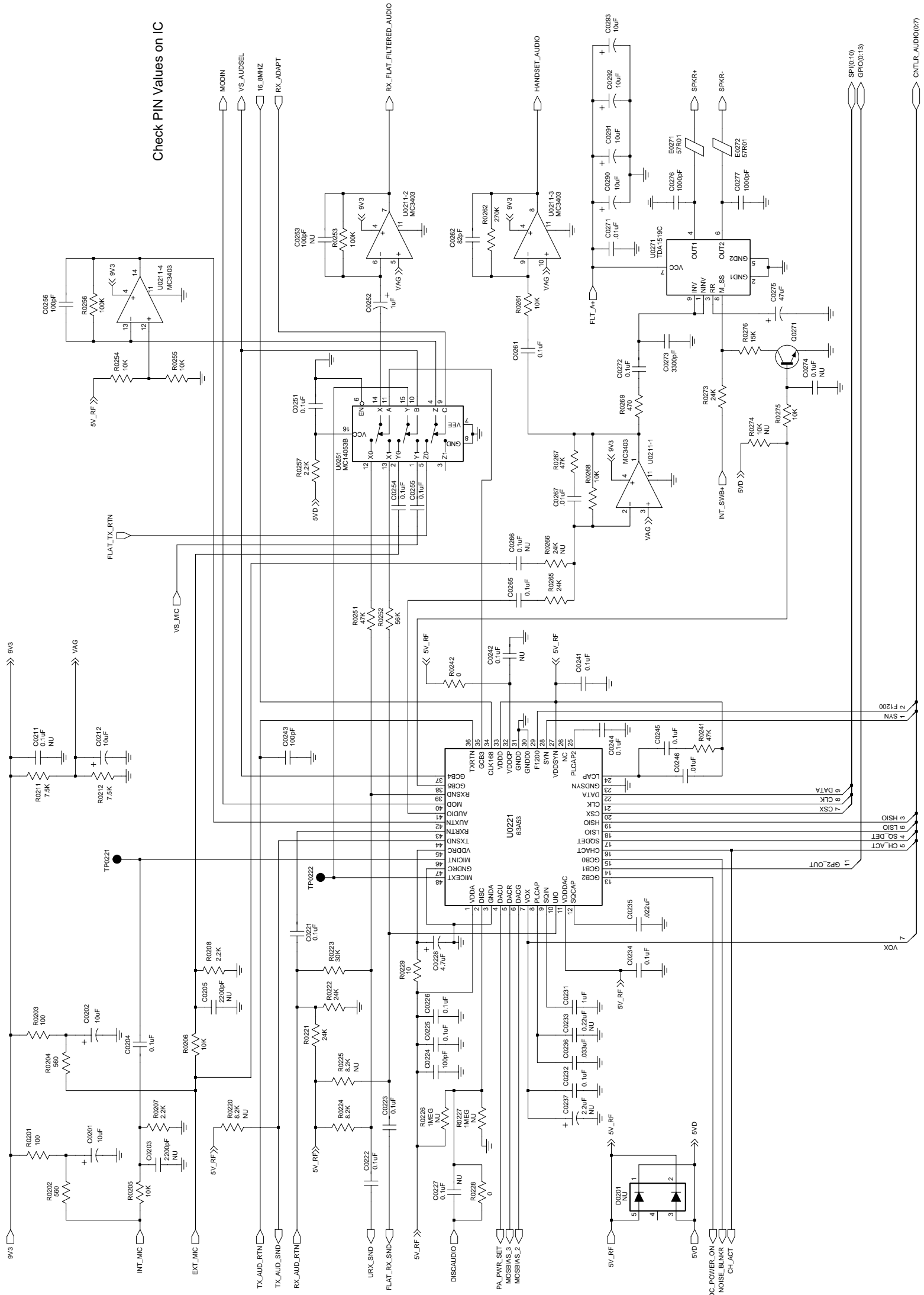
Low Band Range 1/2/3 Controller - T11 (for PC Boards 8486206B08, 8486207B07 & 8486908Z04)



Low Band Range 1 and 2 IO - T6 (for PC Boards 8486206B06 & 8486207B05)



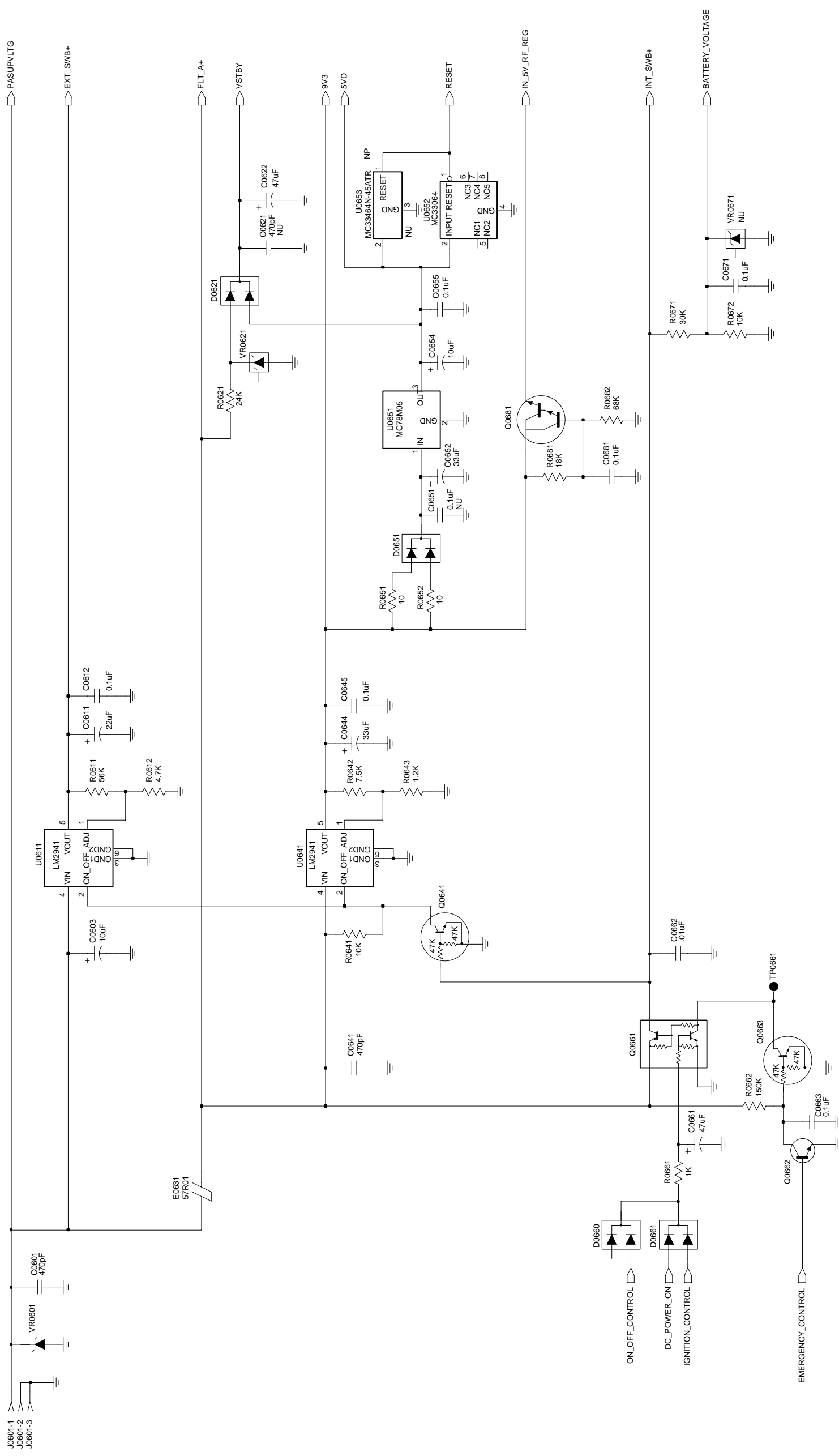
Low Band Range 3 IO - T9 (for PC Board 8486908Z02)



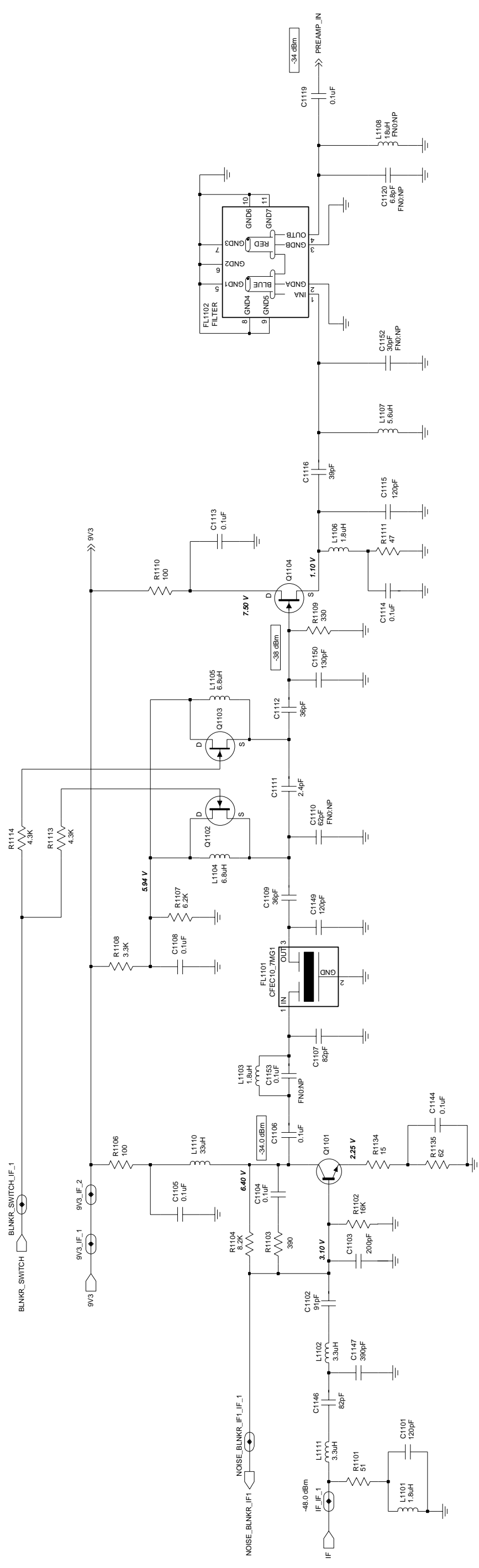
Check PIN Values on IC

FL06306800

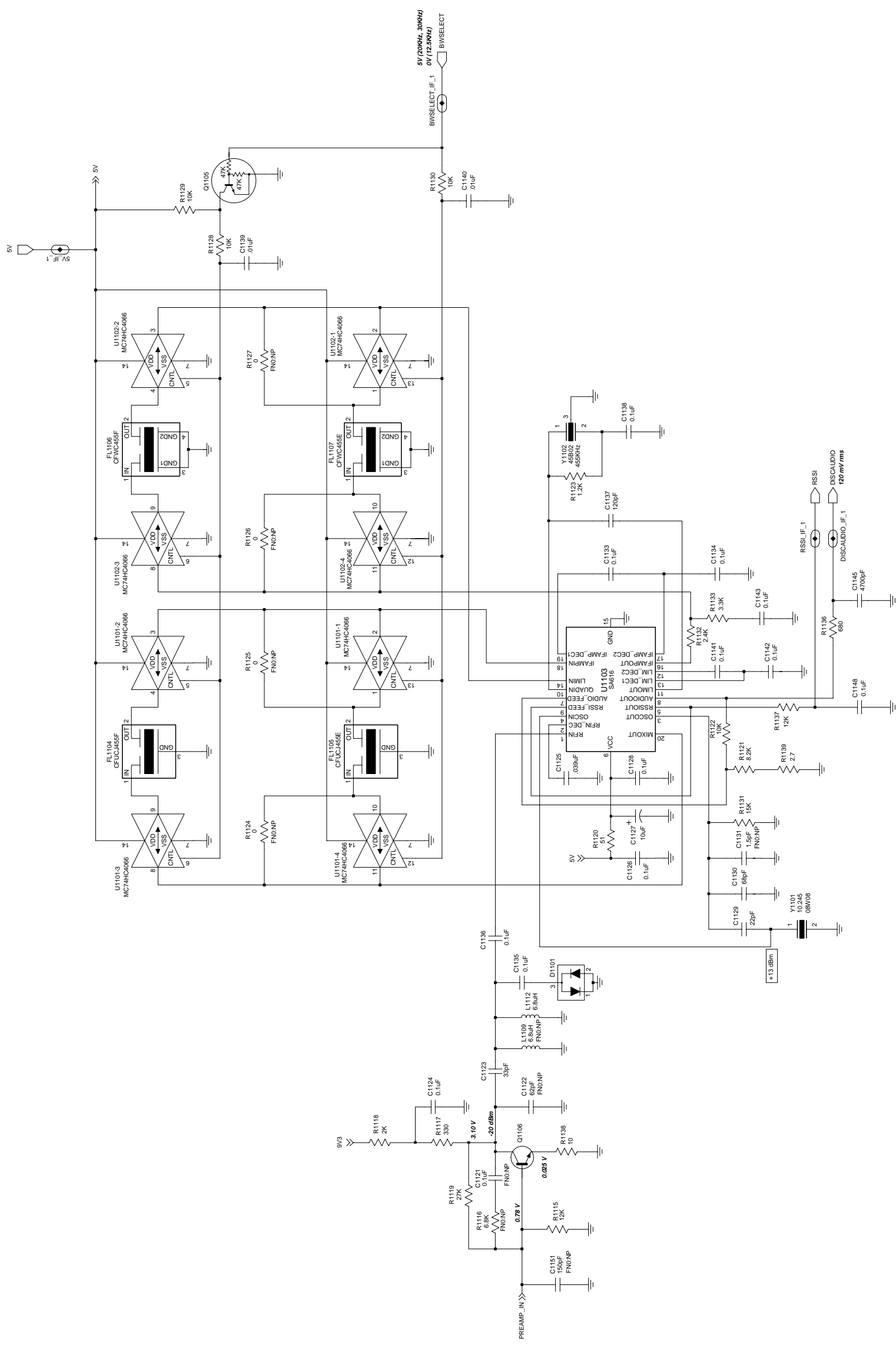
Low Band Range 1/2/3 (29.7-36.0/36.0-42.0/42-50 MHz) - Audio



FL08306790

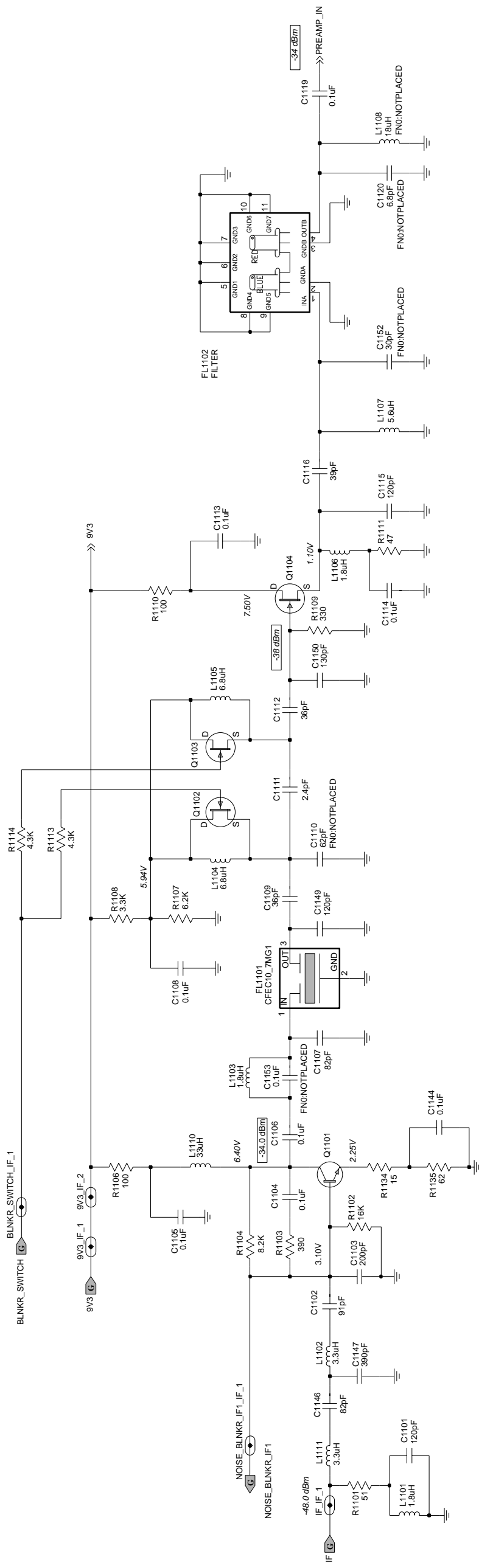


FL08306900

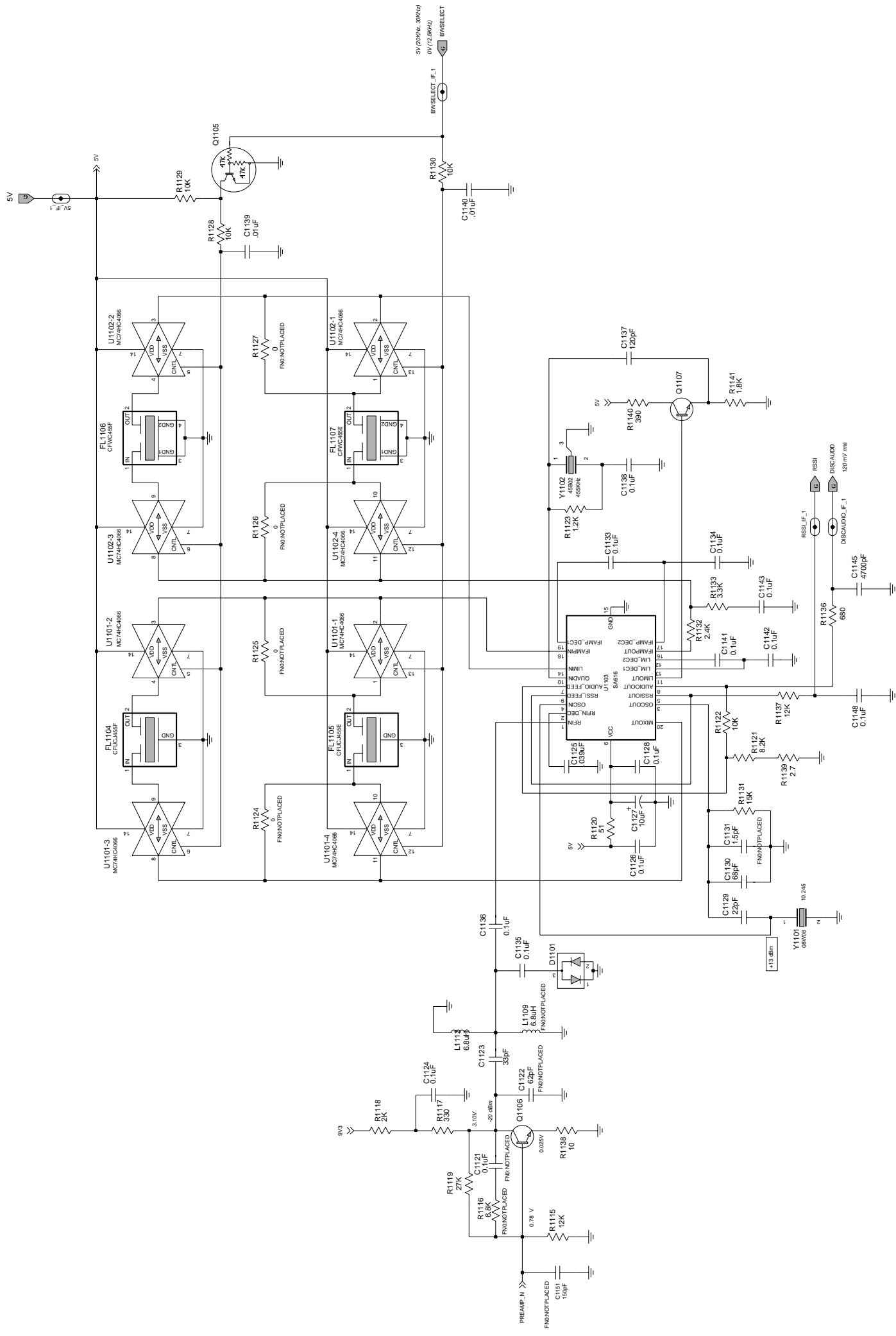


FL0806910

Low Band Range 1/2/3 - IF sheet 2 of 2 (for PC Boards 8486206B06, 8486207B05 & 8486908Z02)

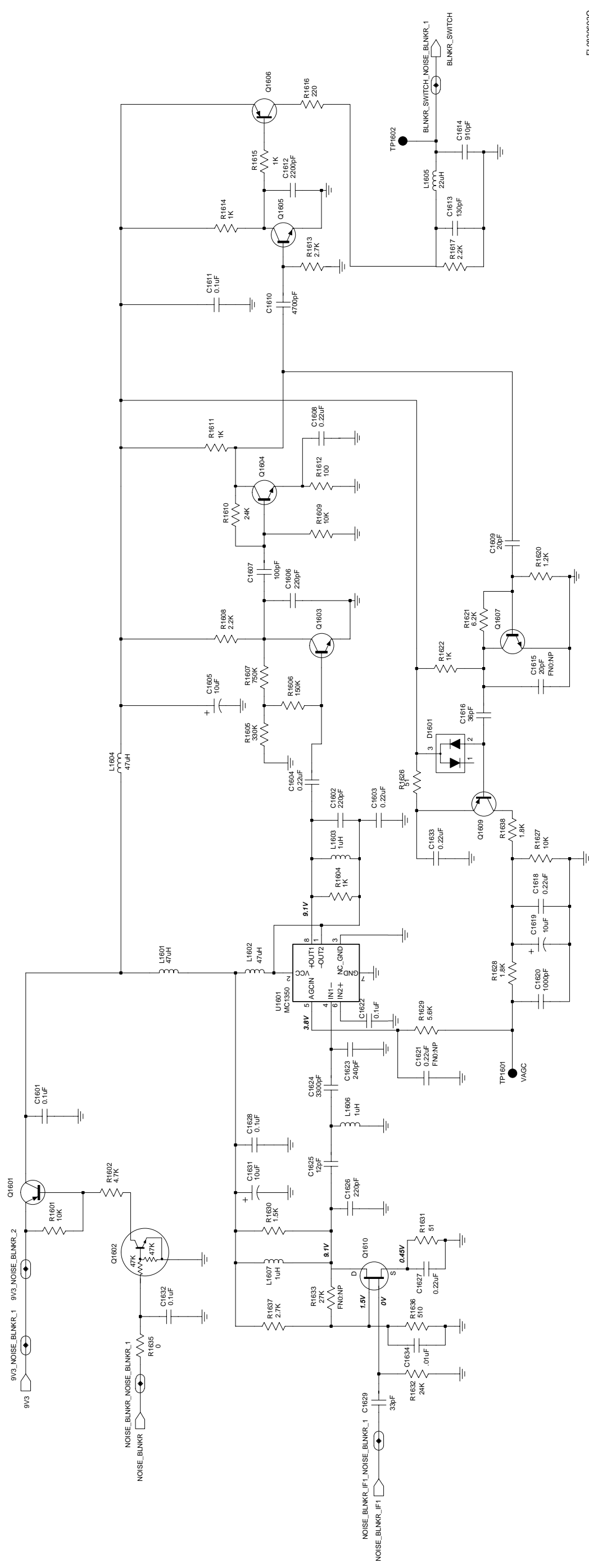


ZWG0131051-O



ZWVG0131052-O

Low Band Range 1/2/3 - IF sheet 2 of 2 (for PC Boards
8486206B08, 8486207B07 & 8486908Z04)



FL083069520

Low Band Range 1/2/3 (29.7-36.0/36.0-42.0/42-50 MHz) - Noise Blanker

Low Band Range 1 PCB 8486206B06 Parts List

Circuit Ref	Motorola Part No.	Description
C0101	2113740F51	CAP, 100pF
C0102	NOT PLACED	
C0103	NOT PLACED	
C0104	NOT PLACED	
C0105	NOT PLACED	
C0106	NOT PLACED	
C0107	2113741F25	CAP, 1000pF
C0111	NOT PLACED	
C0112	2113743E20	CAP, 0.1uF
C0121	2113743E20	CAP, 0.1uF
C0122	2113743E20	CAP, 0.1uF
C0123	NOT PLACED	
C0131	2113740F35	CAP, 22pF
C0132	2113740F35	CAP, 22pF
C0141	2113743E20	CAP, 0.1uF
C0151	2113741F49	CAP, .01uF
C0201	2311049A57	CAPP, 10uF
C0202	2311049A57	CAPP, 10uF
C0203	NOT PLACED	
C0204	2113743E20	CAP, 0.1uF
C0205	NOT PLACED	
C0211	NOT PLACED	
C0212	2311049A57	CAPP, 10uF
C0221	2113743E20	CAP, 0.1uF
C0222	2113743E20	CAP, 0.1uF
C0223	2113743E20	CAP, 0.1uF
C0224	2113740F51	CAP, 100pF
C0225	2113743E20	CAP, 0.1uF
C0226	2113743E20	CAP, 0.1uF
C0227	NOT PLACED	
C0228	2311049A56	CAPP, 4.7uF
C0231	2113743B29	CAP, 1uF
C0232	2113743E20	CAP, 0.1uF
C0233	NOT PLACED	
C0234	2113743E20	CAP, 0.1uF
C0235	2113743E07	CAP, .022uF
C0236	2113741F49	CAP, .01uF
C0237	NOT PLACED	
C0241	2113743E20	CAP, 0.1uF
C0242	NOT PLACED	
C0243	2113740F51	CAP, 100pF
C0244	2113743E20	CAP, 0.1uF
C0245	2113743E20	CAP, 0.1uF
C0246	2113741F49	CAP, .01uF
C0251	2113743E20	CAP, 0.1uF
C0252	2311049A07	CAPP, 1uF
C0253	NOT PLACED	
C0254	2113743E20	CAP, 0.1uF
C0255	2113743E20	CAP, 0.1uF

Circuit Ref	Motorola Part No.	Description
C0460	NOT PLACED	
C0461	NOT PLACED	
C0462	NOT PLACED	
C0463	NOT PLACED	
C0464	NOT PLACED	
C0466	NOT PLACED	
C0467	NOT PLACED	
C0468	NOT PLACED	
C0470	2113743L09	CAP, 470pF
C0471	2113743N48	CAP, 82pF
C0472	2113743N48	CAP, 82pF
C0473	2113743N48	CAP, 82pF
C0474	2113743L09	CAP, 470pF
C0476	2113743L09	CAP, 470pF
C0477	2113743L09	CAP, 470pF
C0478	2113743L09	CAP, 470pF
C0482	2113743L09	CAP, 470pF
C0483	2113743L09	CAP, 470pF
C0484	2113741F17	CAP, 470pF
C0485	2113743L09	CAP, 470pF
C0486	2113743L09	CAP, 470pF
C0487	2113743L09	CAP, 470pF
C0488	2113743L09	CAP, 470pF
C0490	2113743L09	CAP, 470pF
C0491	2113743L09	CAP, 470pF
C0492	2113743L09	CAP, 470pF
C0493	2113743L09	CAP, 470pF
C0494	2113743L09	CAP, 470pF
C0495	2113743L09	CAP, 470pF
C0496	2113743L09	CAP, 470pF
C0497	2113743L09	CAP, 470pF
C0499	2113743L09	CAP, 470pF
C0501	2113741F49	CAP, .01uF
C0502	2113743L09	CAP, 470pF
C0503	2113743L09	CAP, 470pF
C0504	2113743L09	CAP, 470pF
C0505	2113743L09	CAP, 470pF
C0506	2113743L09	CAP, 470pF
C0508	2113743L09	CAP, 470pF
C0509	2113743L09	CAP, 470pF
C0510	2113741F17	CAP, 470pF
C0511	2113743L09	CAP, 470pF
C0512	2113743L09	CAP, 470pF
C0513	2113741F17	CAP, 470pF
C0514	2113743L09	CAP, 470pF
C0515	2113743L09	CAP, 470pF
C0516	2113741F49	CAP, .01uF
C0517	2113743N48	CAP, 82pF
C0518	2113743L09	CAP, 470pF
C0541	2311049A05	CAPP, 0.47uF
C0542	2311049A99	CAPP, 47uF

Circuit Ref	Motorola Part No.	Description
C0554	NOT PLACED	
C0558	NOT PLACED	
C0559	NOT PLACED	
C0560	NOT PLACED	
C0575	NOT PLACED	
C0576	NOT PLACED	
C0591	2113743E20	CAP, 0.1uF
C0592	2113743E20	CAP, 0.1uF
C0593	2113741B69	CAP, 0.1uF
C0601	2113741F17	CAP, 470pF
C0603	2380090M24	CAPP, 10uF
C0611	2311049C06	CAPP, 22uF
C0612	2113743E20	CAP, 0.1uF
C0621	NOT PLACED	
C0622	2311049A99	CAPP, 47uF
C0641	2113741F17	CAP, 470pF
C0644	2311049A97	CAPP, 33uF
C0645	2113743E20	CAP, 0.1uF
C0651	NOT PLACED	
C0652	2311049A97	CAPP, 33uF
C0654	2311049A57	CAPP, 10uF
C0655	2113743E20	CAP, 0.1uF
C0661	2311049C05	CAPP, 47uF
C0662	2113741F49	CAP, .01uF
C0663	2113743E20	CAP, 0.1uF
C0671	2113743E20	CAP, 0.1uF
C0681	2113743E20	CAP, 0.1uF
C1001	2113740F59	CAP, 220pF
C1002	2113743E20	CAP, 0.1uF
C1003	2113740F59	CAP, 220pF
C1004	2113740F56	CAP, 160pF
C1006	2113740F50	CAP, 91pF
C1007	2113740F62	CAP, 300pF
C1008	2113743E20	CAP, 0.1uF
C1009	2113740F61	CAP, 270pF
C1010	2113740F49	CAP, 82pF
C1011	2113740F57	CAP, 180pF
C1012	2113740F59	CAP, 220pF
C1013	2113743E20	CAP, 0.1uF
C1014	2113740F59	CAP, 220pF
C1015	2113741F49	CAP, .01uF
C1016	2113740F58	CAP, 200pF
C1017	2113741F49	CAP, .01uF
C1019	2113740F61	CAP, 270pF
C1020	2113740F64	CAP, 360pF
C1021	2113740F64	CAP, 360pF
C1022	2113740F62	CAP, 300pF
C1023	2113740F64	CAP, 360pF
C1024	2113740F63	CAP, 330pF
C1025	2113740F61	CAP, 270pF
C1026	2113741F49	CAP, .01uF

Circuit Ref	Motorola Part No.	Description
C1027	2113740F57	CAP, 180pF
C1028	2113741F49	CAP, .01uF
C1029	2113741F49	CAP, .01uF
C1030	2113743E20	CAP, 0.1uF
C1031	2113743E20	CAP, 0.1uF
C1032	2113740F51	CAP, 100pF
C1033	2113740F53	CAP, 120pF
C1034	2113740F54	CAP, 130pF
C1035	2113740F50	CAP, 91pF
C1036	2113743E20	CAP, 0.1uF
C1037	2113740F62	CAP, 300pF
C1038	2113740F65	CAP, 390pF
C1039	2113740F65	CAP, 390pF
C1040	2113740F62	CAP, 300pF
C1041	2113740F59	CAP, 220pF
C1042	2113740F59	CAP, 220pF
C1101	2113740F53	CAP, 120pF
C1102	2113740F50	CAP, 91pF
C1103	2113740F58	CAP, 200pF
C1104	2113743E20	CAP, 0.1uF
C1105	2113743E20	CAP, 0.1uF
C1106	2113743E20	CAP, 0.1uF
C1107	2113740F49	CAP, 82pF
C1108	2113743E20	CAP, 0.1uF
C1109	2113740F40	CAP, 36pF
C1110	NOT PLACED	
C1111	2113740L03	CAP, 2.4pF
C1112	2113740F40	CAP, 36pF
C1113	2113743E20	CAP, 0.1uF
C1114	2113743E20	CAP, 0.1uF
C1115	2113740F53	CAP, 120pF
C1116	2113740F41	CAP, 39pF
C1119	2113743E20	CAP, 0.1uF
C1120	NOT PLACED	
C1121	NOT PLACED	
C1122	NOT PLACED	
C1123	2113740F39	CAP, 33pF
C1124	2113743E20	CAP, 0.1uF
C1125	2113743E11	CAP, 0.39uF
C1126	2113743E20	CAP, 0.1uF
C1127	2311049A57	CAPP, 10uF
C1128	2113743E20	CAP, 0.1uF
C1129	2113740F35	CAP, 22pF
C1130	2113740F47	CAP, 68pF
C1131	NOT PLACED	
C1133	2113743E20	CAP, 0.1uF
C1134	2113743E20	CAP, 0.1uF
C1135	2113743E20	CAP, 0.1uF
C1136	2113743E20	CAP, 0.1uF
C1137	2113740F53	CAP, 120pF
C1138	2113743E20	CAP, 0.1uF

Circuit Ref	Motorola Part No.	Description
C1139	2113741F49	CAP, .01uF
C1140	2113741F49	CAP, .01uF
C1141	2113743E20	CAP, 0.1uF
C1142	2113743E20	CAP, 0.1uF
C1143	2113743E20	CAP, 0.1uF
C1144	2113743E20	CAP, 0.1uF
C1145	2113741F41	CAP, 4700pF
C1146	2113740F49	CAP, 82pF
C1147	2113740F65	CAP, 390pF
C1148	2113743E20	CAP, 0.1uF
C1149	2113740F53	CAP, 120pF
C1150	2113740F54	CAP, 130pF
C1151	NOT PLACED	
C1152	NOT PLACED	
C1153	NOT PLACED	
C1201	2113743E20	CAP, 0.1uF
C1202	2311049J11	CAPP, 4.7uF
C1203	2113741F49	CAP, .01uF
C1204	2113740F59	CAP, 220pF
C1205	NOT PLACED	
C1206	2113740L37	CAP, 62pF
C1207	2113740F07	CAP, 1.5pF
C1208	2113740A82	CAP, 1500pF
C1209	2311049A57	CAPP, 10uF
C1210	2113743E20	CAP, 0.1uF
C1211	2113741F49	CAP, .01uF
C1212	2311049A07	CAPP, 1uF
C1213	2113743A23	CAP, 0.22uF
C1214	2113743E10	CAP, .033uF
C1215	2113740C37	CAP, 6800pF
C1216	2311049J11	CAPP, 4.7uF
C1217	2113741F49	CAP, .01uF
C1218	2113743E20	CAP, 0.1uF
C1219	2311049J11	CAPP, 4.7uF
C1220	2311049J11	CAPP, 4.7uF
C1221	NOT PLACED	
C1222	2113740F37	CAP, 27pF
C1223	2113741F49	CAP, .01uF
C1224	2113740F51	CAP, 100pF
C1225	2113741F49	CAP, .01uF
C1226	NOT PLACED	
C1227	2113741F49	CAP, .01uF
C1228	NOT PLACED	
C1229	2113741F49	CAP, .01uF
C1230	2113741F49	CAP, .01uF
C1231	2113741F49	CAP, .01uF
C1232	NOT PLACED	
C1233	NOT PLACED	
C1234	NOT PLACED	
C1250	2311049A09	CAPP, 2.2uF
C1251	2113743E20	CAP, 0.1uF

Circuit Ref	Motorola Part No.	Description
C1252	2113743E05	CAP, .018uF
C1253	2311049J11	CAPP, 4.7uF
C1254	2113741F49	CAP, .01uF
C1304	NOT PLACED	
C1305	NOT PLACED	
C1306	2113740L23	CAP, 16pF
C1307	2113740L34	CAP, 47pF
C1308	2113740F19	CAP, 4.7pF
C1309	NOT PLACED	
C1311	2113741F49	CAP, .01uF
C1312	2113741F49	CAP, .01uF
C1313	2113741F49	CAP, .01uF
C1314	2113740L35	CAP, 51pF
C1315	2113740L35	CAP, 51pF
C1316	2113640F15	CAP, 3.3pF
C1317	2113743E20	CAP, 0.1uF
C1318	2113741F49	CAP, .01uF
C1319	2113741F49	CAP, .01uF
C1320	2113741F49	CAP, .01uF
C1321	2113740F17	CAP, 3.9pF
C1323	2113740L21	CAP, 13pF
C1325	2113741F49	CAP, .01uF
C1326	2113741F49	CAP, .01uF
C1333	2113740L36	CAP, 56pF
C1334	2113740L36	CAP, 56pF
C1335	2113740F19	CAP, 4.7pF
C1336	2113743E20	CAP, 0.1uF
C1337	2113741F49	CAP, .01uF
C1338	2113741F49	CAP, .01uF
C1339	2113741F49	CAP, .01uF
C1340	2113741F49	CAP, .01uF
C1341	2113740L36	CAP, 56pF
C1342	2113740L36	CAP, 56pF
C1343	2113740F15	CAP, 3.3pF
C1344	2113741F49	CAP, .01uF
C1345	2113743E20	CAP, 0.1uF
C1346	2113741F49	CAP, .01uF
C1347	2113741F49	CAP, .01uF
C1348	2113740F17	CAP, 3.9pF
C1349	2113743E20	CAP, 0.1uF
C1350	2113740F31	CAP, 15pF
C1351	2113741F49	CAP, .01uF
C1352	2113741F49	CAP, .01uF
C1354	NOT PLACED	
C1356	NOT PLACED	
C1360	NOT PLACED	
C1361	NOT PLACED	
C1362	NOT PLACED	
C1401	2113741A45	CAP, .01uF
C1402	2113741A45	CAP, .01uF
C1403	NOT PLACED	

Circuit Ref	Motorola Part No.	Description
C1404	2113741A45	CAP, .01uF
C1405	2113741A45	CAP, .01uF
C1406	NOT PLACED	
C1407	2113741A45	CAP, .01uF
C1408	NOT PLACED	
C1410	2113741M69	CAP, 0.1uF
C1413	2113741A45	CAP, .01uF
C1414	2113741A45	CAP, .01uF
C1415	2113741A45	CAP, .01uF
C1416	NOT PLACED	
C1417	2113740A79	CAP, 1000pF
C1418	2113741A45	CAP, .01uF
C1419	2113741A45	CAP, .01uF
C1420	2113741A45	CAP, .01uF
C1421	NOT PLACED	
C1422	NOT PLACED	
C1423	2113741A45	CAP, .01uF
C1424	2113741A45	CAP, .01uF
C1425	2113741W01	CAP, 1uF
C1426	2113741W01	CAP, 1uF
C1427	2111078B59	CAP, 470pF
C1428	2111078B59	CAP, 470pF
C1429	2111078B59	CAP, 470pF
C1430	2111078B59	CAP, 470pF
C1431	2113741A45	CAP, .01uF
C1432	2113741W01	CAP, 1uF
C1433	2113741W01	CAP, 1uF
C1434	2113741A45	CAP, .01uF
C1435	2113741W01	CAP, 1uF
C1436	2113741A45	CAP, .01uF
C1437	2111078B59	CAP, 470pF
C1438	2111078B59	CAP, 470pF
C1439	2111078B59	CAP, 470pF
C1440	2111078B59	CAP, 470pF
C1441	2111078B50	CAP, 200pF
C1442	2111078B39	CAP, 75pF
C1443	2111078B59	CAP, 470pF
C1444	2111078B59	CAP, 470pF
C1445	2113741A45	CAP, .01uF
C1446	2180060M41	CAP, 82pF
C1447	2111078B59	CAP, 470pF
C1448	2111078B59	CAP, 470pF
C1449	2180060M46	CAP, 130pF
C1450	NOT PLACED	
C1451	2180060M51	CAP, 220pF
C1452	2180060M37	CAP, 56pF
C1453	2180060M48	CAP, 160pF
C1454	2180060M37	CAP, 56pF
C1455	2180060M25	CAP, 18pF
C1456	2180060M43	CAP, 100pF
C1457	2113741A45	CAP, .01uF

Circuit Ref	Motorola Part No.	Description
C1458	2311049C01	CAPP, 10uF
C1459	2311049C01	CAPP, 10uF
C1460	2113743E20	CAP, 0.1uF
C1461	2113741A45	CAP, .01uF
C1462	2311049C01	CAPP, 10uF
C1463	2113928E01	CAP, 1uF
C1464	2113741A45	CAP, .01uF
C1465	2113928E01	CAP, 1uF
C1466	2113741A45	CAP, .01uF
C1467	2113740A53	CAP, 82pF
C1468	2113741A45	CAP, .01uF
C1469	2113741W01	CAP, 1uF
C1470	2113741W01	CAP, 1uF
C1471	2113741A45	CAP, .01uF
C1472	2113741M69	CAP, 0.1uF
C1473	2113741M69	CAP, 0.1uF
C1474	2113741A45	CAP, .01uF
C1475	2113741W01	CAP, 1uF
C1476	2113741A45	CAP, .01uF
C1477	2111078B59	CAP, 470pF
C1478	2111078B59	CAP, 470pF
C1479	2111078B49	CAP, 180pF
C1480	NOT PLACED	
C1481	2111078B58	CAP, 430pF
C1482	2113928E01	CAP, 1uF
C1484	2113741F33	CAP, 2200pF
C1485	2113741A45	CAP, .01uF
C1486	2180060M40	CAP, 75pF
C1491	NOT PLACED	
C1501	2113741F33	CAP, 2200pF
C1502	2113741F33	CAP, 2200pF
C1503	2113741F33	CAP, 2200pF
C1504	2113741F33	CAP, 2200pF
C1505	2113741F25	CAP, 1000pF
C1506	2113741F25	CAP, 1000pF
C1507	2113741F33	CAP, 2200pF
C1508	2113741F33	CAP, 2200pF
C1509	2311049A07	CAPP, 1uF
C1510	2113741F33	CAP, 2200pF
C1511	2113741F33	CAP, 2200pF
C1512	2113741F33	CAP, 2200pF
C1525	2113743E20	CAP, 0.1uF
C1526	2113740F51	CAP, 100pF
C1527	2113741A45	CAP, .01uF
C1528	2113741A45	CAP, .01uF
C1529	2113741M69	CAP, 0.1uF
C1530	2113741A45	CAP, .01uF
C1531	NOT PLACED	
C1532	NOT PLACED	
C1601	2113743E20	CAP, 0.1uF
C1602	2113740F59	CAP, 220pF

Circuit Ref	Motorola Part No.	Description
C1603	2113743A23	CAP, 0.22uF
C1604	2113743A23	CAP, 0.22uF
C1605	2311049A57	CAPP, 10uF
C1606	2113740F59	CAP, 220pF
C1607	2113740F51	CAP, 100pF
C1608	2113743A23	CAP, 0.22uF
C1609	2113740F34	CAP, 20pF
C1610	2113741F41	CAP, 4700pF
C1611	2113743E20	CAP, 0.1uF
C1612	2113741F33	CAP, 2200pF
C1613	2113740F54	CAP, 130pF
C1614	2113741F24	CAP, 910pF
C1615	NOT PLACED	
C1616	2113740F40	CAP, 36pF
C1618	2113743A23	CAP, 0.22uF
C1619	2311049A57	CAP, 10uF
C1620	2113741F25	CAP, 1000pF
C1621	NOT PLACED	
C1622	2113743E20	CAP, 0.1uF
C1623	2113740F60	CAP, 240pF
C1624	2113741F37	CAP, 3300pF
C1625	2113740F29	CAP, 12pF
C1626	2113740F59	CAP, 220pF
C1627	2113743A23	CAP, 0.22uF
C1628	2113743E20	CAP, 0.1uF
C1629	2113740F39	CAP, 33pF
C1631	2311049A57	CAPP, 10uF
C1632	2113743E20	CAP, 0.1uF
C1633	2113743A23	CAP, 0.22uF
C1634	2113741A45	CAP, .01uF
CR1201	4802245J22	1T363
CR1202	4802233J09	IMN10
CR1302	4805649Q14	HN1V02H
CR1306	4880154K03	MMBD353
CR1310	4805649Q14	HN1V02H
CR1314	4880154K03	MMBD353
D0101	4880236E05	MMBD301
D0151	4813833C02	MMBD6100
D0179	4813833C02	MMBD6100
D0201	NOT PLACED	
D0621	4813833C02	MMBD6100
D0651	4813833C02	MMBD6100
D0660	4813833C02	MMBD6100
D0661	4813833C02	MMBD6100
D1001	4880154K03	MMBD353
D1101	4880154K03	MMBD353
D1401	4808379X02	MA4P1450
D1402	4808379X02	MA4P1450
D1501	4880236E05	MMBD301
D1502	4813833C02	MMBD6100
D1503	4813833C02	MMBD6100

Circuit Ref	Motorola Part No.	Description
D1601	4880154K03	MMBD353
E0271	2484657R01	FERRITE BEAD
E0272	2484657R01	FERRITE BEAD
E0631	2484657R01	FERRITE BEAD
E1401	2408380X02	FERRITE BEAD
E1403	2408380X02	FERRITE BEAD
F0401	6580542Z01	FUSE
FL1102	9180656U03	CFEC10_7MG1
FL1102	9180022M09	CRYSTAL FILTER, 10.7MHZ
FL1104	9180468V04	CFUCJ455F
FL1105	9180468V05	CFUCJ455E
FL1106	9180468V04	CFUCJ455F
FL1107	9180468V05	CFUCJ455E
J0401	0902636Y02	CONN, FLEX, 12-PIN
J0451	0902636Y01	CONN, FLEX, SIDE ENTRY
J0501	0986105B01	CONN, SMD, 20-PIN
J0551	0905505Y04	CONN, ZIF
J0552	0905505Y03	CONN, 18-PIN
J0601	0986105B01	DC POWER CONNECTOR
J1401	0986605B02	MINI-U ANTENNA CONN
L0481	NOT PLACED	
L0482	NOT PLACED	
L1001	2408382A11	IDCTR, 130nH
L1002	2408382C11	IDCTR, 130nH
L1003	2408382A11	IDCTR, 130nH
L1004	2408382C11	IDCTR, 130nH
L1005	2408382A11	IDCTR, 130nH
L1006	2408382A11	IDCTR, 130nH
L1007	2408382C11	IDCTR, 130nH
L1008	2408382A11	IDCTR, 130nH
L1009	2408382C11	IDCTR, 130nH
L1010	2408382A11	IDCTR, 130nH
L1011	2462587N68	IDCTR, 1uH
L1012	2462587N57	IDCTR, 220nH
L1013	2462587N59	IDCTR, 330nH
L1014	2462587N57	IDCTR, 220nH
L1101	2462587N33	IDCTR, 1.8uH
L1102	2462587N33	IDCTR, 3.3uH
L1103	2462587N33	IDCTR, 1.8uH
L1104	2480289M10	IDCTR, 6.8uH
L1105	2480289M10	IDCTR, 6.8uH
L1106	2462587N33	IDCTR, 1.8uH
L1107	2480289M09	IDCTR, 5.6uH
L1108	NOT PLACED	
L1109	NOT PLACED	
L1110	2480289M18	IDCTR, 33uH
L1111	2408383X07	IDCTR, 3.3uH
L1112	2483411T35	IDCTR, 6.8uH
L1201	2480289M17	IDCTR, 27uH
L1202	2462587Q20	IDCTR, 2.2uH
L1204	NOT PLACED	

Circuit Ref	Motorola Part No.	Description
L1205	2462587N64	IDCTR, 680nH
L1206	2480289M17	IDCTR, 27uH
L1207	NOT PLACED	
L1302	2408382D19	IDCTR, 491nH
L1303	2480289M17	IDCTR, 27uH
L1304	2462587N66	IDCTR, 820nH
L1305	2480289M17	IDCTR, 27uH
L1306	2480289M17	IDCTR, 27uH
L1307	2480289M17	IDCTR, 27uH
L1309	2480289M17	IDCTR, 27uH
L1310	2462587N60	IDCTR, 390nH
L1311	2480289M17	IDCTR, 27uH
L1313	2408382D19	IDCTR, 491nH
L1314	2480289M18	IDCTR, 33uH
L1315	2462587N69	IDCTR, 1.2uH
L1316	2480289M18	IDCTR, 33uH
L1317	2480289M18	IDCTR, 33uH
L1318	2480289M18	IDCTR, 33uH
L1321	2462587N58	IDCTR, 270nH
L1322	2480289M18	IDCTR, 33uH
L1324	2480289M18	IDCTR, 33uH
L1401	NOT PLACED	
L1402	2462587U09	IDCTR, 4.7uH
L1403	2462587U09	IDCTR, 4.7uH
L1404	2462587X56	IDCTR, 180nH
L1405	NOT PLACED	
L1406	2408381X36	IDCTR, 250.974nH
L1408	2408384A10	IDCTR, 120nH
L1413	2408381X17	IDCTR, 88.470nH
L1414	2408381X17	IDCTR, 88.470nH
L1415	2485873L04	IDCTR, 41nH
L1416	2485873L04	IDCTR, 41nH
L1417	2408381X14	IDCTR, 72.462nH
L1418	2408381X30	IDCTR, 184.518nH
L1419	2480289M17	IDCTR, 27uH
L1420	2408381X36	IDCTR, 250.974nH
L1421	2408381X33	IDCTR, 217.576nH
L1422	2408381X26	IDCTR, 139.750nH
L1423	2408381X23	IDCTR, 124.327nH
L1424	NOT PLACED	
L1425	2485873L04	IDCTR, 41nH
L1426	2485873L04	IDCTR, 41nH
L1601	2483411T45	IDCTR, 47uH
L1602	2483411T45	IDCTR, 47uH
L1603	2483411T73	IDCTR, 1uH
L1604	2483411T45	IDCTR, 47uH
L1605	2483411T41	IDCTR, 22uH
L1606	2462587T30	IDCTR, 1uH
L1607	2462587T30	IDCTR, 1uH
M1401	2686201B01	HEATSINK
Q0110	4880048M01	DTC144EKA

Circuit Ref	Motorola Part No.	Description
Q0151	4880048M01	DTC144EKA
Q0171	4880048M01	DTC144EKA
Q0173	4880052M01	RXT-A28
Q0177	4880048M01	DTC144EKA
Q0181	4880048M01	DTC144EKA
Q0183	4880048M01	DTC144EKA
Q0185	4880048M01	DTC144EKA
Q0271	4813824A10	MMBT3904
Q0641	4880048M01	DTC144EKA
Q0661	4805921T02	FMC2A
Q0662	4813824A10	MMBT3904
Q0663	4880048M01	DTC144EKA
Q0681	4880052M01	RXT-A28
Q1001	4880173R01	MMBR951
Q1002	4813824A17	MMBT3906
Q1003	4813824A17	MMBT3906
Q1101	4813827A07	MMBR941
Q1102	4813823A05	MMBFU310L
Q1103	4813823A05	MMBFU310L
Q1104	4813823A05	MMBFU310L
Q1105	4880048M01	DTC144EKA
Q1106	4813827A07	MMBR941
Q1201	4813824A17	MMBT3906
Q1202	4880173R01	MMBR951
Q1303	4884235R02	MMBFU310
Q1304	4880173R01	MMBR951
Q1305	4880173R01	MMBR951
Q1306	4884235R02	MMBFU310
Q1307	4880173R01	MMBR951
Q1308	4880173R01	MMBR951
Q1401	4886212B01	MRF1518
Q1402	4886136B01	MRF1550
Q1403	4886136B01	MRF1550
Q1404	NOT PLACED	
Q1501	4880141L03	BCW68G
Q1502	4813824A10	MMBT3904
Q1503	4813824A10	MMBT3904
Q1504	4813824A10	MMBT3904
Q1505	4813824A17	MMBT3906
Q1506	4813824A10	MMBT3904
Q1601	4813824A17	MMBT3906
Q1602	4880048M01	DTC144EKA
Q1603	4813824A10	MMBT3904
Q1604	4813824A10	MMBT3904
Q1605	4813824A10	MMBT3904
Q1606	4813824A17	MMBT3906
Q1607	4813824A10	MMBT3904
Q1609	4813824A17	MMBT3906
Q1610	480585Q17	NE25139
R0101	0662057A73	RES, 10K
R0102	0662057A65	RES, 4.7K

Circuit Ref	Motorola Part No.	Description
R0104	0662057A73	RES, 10K
R0105	0662057A97	RES, 100K
R0107	NOT PLACED	
R0108	0662057A57	RES, 2.2K
R0110	NOT PLACED	
R0111	0662057B47	RES, 0
R0112	NOT PLACED	
R0113	0662057A73	RES, 10K
R0114	0662057A73	RES, 10K
R0115	0662057A73	RES, 10K
R0116	NOT PLACED	
R0117	0662057A63	RES, 3.9K
R0121	0662057A97	RES, 100K
R0131	0662057B46	RES, 10MEG
R0132	0662057B10	RES, 330K
R0151	0662057A82	RES, 24K
R0152	0662057A82	RES, 24K
R0170	0662057A73	RES, 10K
R0171	0662057A65	RES, 4.7K
R0172	0662057A73	RES, 10K
R0173	0662057A65	RES, 4.7K
R0174	0662057A73	RES, 10K
R0175	0662057A73	RES, 10K
R0176	0662057A84	RES, 30K
R0177	0662057A65	RES, 4.7K
R0178	0662057A89	RES, 47K
R0179	0662057A89	RES, 47K
R0181	0662057A65	RES, 4.7K
R0182	0662057A89	RES, 47K
R0183	0662057A65	RES, 4.7K
R0184	0662057A89	RES, 47K
R0185	0662057A65	RES, 4.7K
R0186	0662057A89	RES, 47K
R0201	0662057A25	RES, 100
R0202	0662057A43	RES, 560
R0203	0662057A25	RES, 100
R0204	0662057A43	RES, 560
R0205	0662057A73	RES, 10K
R0206	0662057A73	RES, 10K
R0207	0662057A57	RES, 2.2K
R0208	0662057A57	RES, 2.2K
R0211	0660076E70	RES, 7.5K
R0212	0660076E70	RES, 7.5K
R0220	NOT PLACED	
R0221	0662057A82	RES, 24K
R0222	0662057A82	RES, 24K
R0223	0662057A84	RES, 30K
R0224	0662057A71	RES, 8.2K
R0225	NOT PLACED	
R0226	NOT PLACED	
R0227	NOT PLACED	

Circuit Ref	Motorola Part No.	Description
R0228	0662057B47	RES, 0
R0229	0662057A01	RES, 10
R0241	0662057A89	RES, 47K
R0242	0662057B47	RES, 0
R0251	0662057A89	RES, 47K
R0252	0662057A91	RES, 56K
R0253	0662057A97	RES, 100K
R0254	0662057A73	RES, 10K
R0255	0662057A73	RES, 10K
R0256	0662057A97	RES, 100K
R0257	0662057A57	RES, 2.2K
R0261	0662057A73	RES, 10K
R0262	0662057B08	RES, 270K
R0265	0662057A82	RES, 24K
R0266	NOT PLACED	
R0267	0662057A89	RES, 47K
R0268	0662057A73	RES, 10K
R0269	0662057A41	RES, 470
R0273	0662057A82	RES, 24K
R0274	NOT PLACED	
R0275	0662057A73	RES, 10K
R0276	0662057A77	RES, 15K
R0401	0662057A33	RES, 220
R0407	0662057M26	RES, 10
R0408	0662057A25	RES, 100
R0409	0662057M26	RES, 10
R0412	0662057B47	RES, 0
R0441	0662057B47	RES, 0
R0442	0662057A49	RES, 1K
R0467	0662057M26	RES, 10
R0468	0662057A97	RES, 100K
R0481	0662057B47	RES, 0
R0482	0662057B47	RES, 0
R0510	0662057A65	RES, 4.7K
R0511	0662057A97	RES, 100K
R0512	0662057A77	RES, 15K
R0525	0662057A97	RES, 100K
R0529	0662057A89	RES, 47K
R0530	0662057A81	RES, 22K
R0531	0662057A43	RES, 560
R0533	0662057B47	RES, 0
R0535	0662057A49	RES, 1K
R0537	0662057A33	RES, 220
R0538	0662057A33	RES, 220
R0539	0662057A65	RES, 4.7K
R0541	0662057A83	RES, 27K
R0542	NOT PLACED	
R0543	0662057A97	RES, 100K
R0591	0662057A82	RES, 24K
R0592	0662057A01	RES, 10
R0593	0662057A97	RES, 100K

Circuit Ref	Motorola Part No.	Description
R0611	0662057A91	RES, 56K
R0612	0662057A65	RES, 4.7K
R0621	0662057A82	RES, 24K
R0641	0662057A73	RES, 10K
R0642	0660076E70	RES, 7.5K
R0643	0660076E51	RES, 1.2K
R0651	0662057A01	RES, 10
R0652	0662057A01	RES, 10
R0661	0662057A49	RES, 1K
R0662	0662057B02	RES, 150K
R0671	0662057A84	RES, 30K
R0672	0662057A73	RES, 10K
R0681	0662057A79	RES, 18K
R0682	0662057A93	RES, 68K
R1001	0662057A05	RES, 15
R1002	0662057A05	RES, 15
R1003	0662057A41	RES, 470
R1004	0662057A59	RES, 2.7K
R1005	0662057A31	RES, 180
R1006	0662057A73	RES, 10K
R1007	0662057A71	RES, 8.2K
R1008	0662057A65	RES, 4.7K
R1009	NOT PLACED	
R1010	NOT PLACED	
R1011	NOT PLACED	
R1101	0662057A18	RES, 51
R1102	0662057A78	RES, 16K
R1103	0662057A39	RES, 390
R1104	0662057A71	RES, 8.2K
R1106	0662057A25	RES, 100
R1107	0662057A68	RES, 6.2K
R1108	0662057A61	RES, 3.3K
R1109	0662057A37	RES, 330
R1110	0662057A25	RES, 100
R1111	0662057A17	RES, 47
R1113	0662057A64	RES, 4.3K
R1114	0662057A64	RES, 4.3K
R1115	0662057A75	RES, 12K
R1116	NOT PLACED	
R1117	0662057A37	RES, 330
R1118	0662057A56	RES, 2K
R1119	0662057A83	RES, 27K
R1120	0662057A18	RES, 51
R1121	0662057A71	RES, 8.2K
R1122	0662057A73	RES, 10K
R1123	0662057A51	RES, 1.2K
R1124	NOT PLACED	
R1125	NOT PLACED	
R1126	NOT PLACED	
R1127	NOT PLACED	
R1128	0662057A73	RES, 10K

Circuit Ref	Motorola Part No.	Description
R1129	0662057A73	RES, 10K
R1130	0662057A73	RES, 10K
R1131	0662057A77	RES, 15K
R1132	0662057A58	RES, 2.4K
R1133	0662057A61	RES, 3.3K
R1134	0662057A05	RES, 15
R1135	0662057A20	RES, 62
R1136	0662057A45	RES, 680
R1137	0662057A75	RES, 12K
R1138	0662057A01	RES, 10
R1139	0611077A12	RES, 2.7
R1201	0660257B47	RES, 0
R1202	NOT PLACED	
R1203	0662057B02	RES, 150K
R1204	0662057B47	RES, 0
R1205	0662057A45	RES, 680
R1206	0662057A41	RES, 470
R1207	NOT PLACED	
R1208	0662057A18	RES, 51
R1209	0662057A61	RES, 3.3K
R1210	0662057A33	RES, 220
R1211	0662057B14	RES, 470K
R1212	0662057A25	RES, 100
R1213	0662057A45	RES, 680
R1214	0662057A54	RES, 1.6K
R1215	0662057A21	RES, 68
R1216	0662057A18	RES, 51
R1217	0662057A25	RES, 100
R1218	0662057A17	RES, 47
R1219	0662057A17	RES, 47
R1220	0662057A17	RES, 47
R1221	0662057B47	RES, 0
R1222	NOT PLACED	
R1306	0662057B47	RES, 0
R1307	0662057A19	RES, 56
R1308	0662057A19	RES, 56
R1309	0662057A41	RES, 470
R1311	0662057A73	RES, 10K
R1312	0662057A51	RES, 1.2K
R1313	0662057A51	RES, 1.2K
R1314	0662057A37	RES, 330
R1315	0662057A61	RES, 3.3K
R1316	0662057A45	RES, 680
R1317	0662057A09	RES, 22
R1318	0662057A41	RES, 470
R1319	0662057A01	RES, 10
R1320	0662057A41	RES, 470
R1325	NOT PLACED	
R1326	0662057A19	RES, 56
R1327	0662057A19	RES, 56
R1328	0662057A41	RES, 470

Circuit Ref	Motorola Part No.	Description
R1450	0683962T71	RES, 820
R1451	0662057K31	RES, 180
R1453	0662057K31	RES, 180
R1454	0662057K31	RES, 180
R1455	NOT PLACED	
R1457	0662057K01	RES, 10
R1458	0611079A64	RES, 390
R1459	0611079A64	RES, 390
R1460	0680106R01	RES, 0.1
R1463	0662057A75	RES, 12K
R1464	0662057A61	RES, 3.3K
R1465	0662057A61	RES, 3.3K
R1466	NOT PLACED	
R1467	NOT PLACED	
R1468	NOT PLACED	
R1469	0662057C01	RES, 0
R1470	NOT PLACED	
R1471	NOT PLACED	
R1472	0662057A73	RES, 10K
R1473	0680194M01	RES, 10
R1474	0680194M01	RES, 10
R1475	0680194M01	RES, 10
R1476	0680194M01	RES, 10
R1477	0662057A61	RES, 3.3K
R1478	0662057A73	RES, 10K
R1479	0662057A61	RES, 3.3K
R1480	0662057D10	RES, 27K
R1481	0662057A90	RES, 51K
R1482	0662057B47	RES, 0
R1483	0662057A34	RES, 240
R1484	0662057A49	RES, 1K
R1501	0662057A45	RES, 680
R1502	0662057C67	RES, 470
R1503	0662057A61	RES, 3.3K
R1504	0662057A73	RES, 10K
R1505	0662057A69	RES, 6.8K
R1506	0662057A87	RES, 39K
R1507	0662057A49	RES, 1K
R1508	0662057R17	RES, 43.2
R1509	0662057P95	RES, 100K
R1510	NOT PLACED	
R1511	0662057P95	RES, 100K
R1512	NOT PLACED	
R1513	0662057C76	RES, 1.1K
R1514	0662057A97	RES, 100K
R1515	0662057A49	RES, 1K
R1516	0662057C71	RES, 680
R1517	0662057C71	RES, 680
R1518	0662057A61	RES, 3.3K
R1519	0662057C71	RES, 680
R1522	0662057A73	RES, 10K

Circuit Ref	Motorola Part No.	Description
R1523	NOT PLACED	
R1524	0662057C71	RES, 680
R1525	NOT PLACED	
R1526	0662057A97	RES, 100K
R1527	0662057A97	RES, 100K
R1528	0662057A80	RES, 20K
R1532	0662057A95	RES, 82K
R1533	0662057A73	RES, 10K
R1535	0662057R16	RES, 39.2
R1537	0662057A53	RES, 1.5K
R1541	0662057A53	RES, 1.5K
R1542	0662057A49	RES, 1K
R1543	0662057A49	RES, 1K
R1544	0662057A90	RES, 51K
R1545	0662057A65	RES, 4.7K
R1601	0662057A73	RES, 10K
R1602	0662057A65	RES, 4.7K
R1604	0662057A49	RES, 1K
R1605	0662057B10	RES, 330K
R1606	0662057B02	RES, 150K
R1607	0662057B19	RES, 750K
R1608	0662057A57	RES, 2.2K
R1609	0662057A73	RES, 10K
R1610	0662057A82	RES, 24K
R1611	0662057A49	RES, 1K
R1612	0662057A25	RES, 100
R1613	0662057A59	RES, 2.7K
R1614	0662057A49	RES, 1K
R1615	0662057A49	RES, 1K
R1616	0662057A33	RES, 220
R1617	0662057A57	RES, 2.2K
R1620	0662057A51	RES, 1.2K
R1621	0662057A68	RES, 6.2K
R1622	0662057A49	RES, 1K
R1626	0662057A18	RES, 51
R1627	0662057A73	RES, 10K
R1628	0662057A55	RES, 1.8K
R1629	0662057A67	RES, 5.6K
R1630	0662057A53	RES, 1.5K
R1631	0662057A18	RES, 51
R1632	0662057A82	RES, 24K
R1633	NOT PLACED	
R1635	0662057B47	RES, 0
R1636	0662057A42	RES, 510
R1637	0662057A59	RES, 2.7K
R1638	0662057A55	RES, 1.8K
SH1201	NOT PLACED	
SH1202	NOT PLACED	
SH1301	NOT PLACED	
SH1302	2680473U01	VCO SHIELD
U0101	5102226J56	MC68HC11FLO

Circuit Ref	Motorola Part No.	Description
U0111	5102463J64	EEPROM
U0121	5186137B01	FLASH ROM
U0122	5185963A21	SRAM
U0141	5113805A30	REMUX
U0211	5183222M49	MC3403
U0221	5185130C53	ASFIC COMPANDER
U0251	5113806A20	MUX/DEMUX
U0271	5109699X01	AUDIO PA
U0611	5183308X01	LM2941
U0641	5183308X01	LM2941
U0651	5113816A07	MC78M05
U0652	5113815A02	MC33064
U0653	NOT PLACED	
U1001	4802245J50	UMC5N
U1051	5108278X01	MIXER
U1101	5113805A86	MC74HC4066
U1102	5113805A86	MC74HC4066
U1103	5186144B01	SA616
U1201	5185963A27	FRACN SYNTHESIZER
U1250	5185963A33	LP2951
U1377	4802245J50	UMC5N
U1378	4802245J50	UMC5N
U1401	5185130C65	LDMOS PREDRIVER IC
U1402	5113818A03	MC33072
U1501	5185963A15	LM50
U1502	5109731C21	LM6142BIM
U1503	5185765B28	POWER CONTROL IC
U1601	5180929W01	MC1350
VR0151	4813830A15	MMBZ5232B
VR0501	4805656W09	MMQA20VT1
VR0503	4805656W09	MMQA20VT1
VR0504	4813830A40	MMBZ5257B
VR0505	4805656W09	MMQA20VT1
VR0509	4813830A40	MMBZ5257B
VR0510	4813830A40	MMBZ5257B
VR0537	4813830A15	MMBZ5232B
VR0541	4813830A27	MMBZ5244B
VR0601	4813832C77	TRANSIENT SUPPRESSOR
VR0621	4813830A15	MMBZ5232B
VR0671	NOT PLACED	
Y0131	4880113R19	CRYSTAL, 38.4KHZ
Y1101	4880908W08	CRYSTAL, 10.245 MHZ
Y1102	9186145B02	DISCRIMINATOR, 455KHZ
Y1201	4880114R04	CRYSTAL, 16.8MHZ
Y1202	NOT PLACED	

Low Band Range 2 PCB 8486207B05 Parts List

Circuit Ref	Motorola Part No.	Description
C0101	2113740F51	100pF
C0107	2113741F25	1nF
C0112	2113743E20	100nF
C0121	2113743E20	100nF
C0122	2113743E20	100nF
C0131	2113740F35	22pF
C0132	2113740F35	22pF
C0141	2113743E20	100nF
C0151	2113741F49	10nF
C0201	2311049A57	10uF
C0204	2113743E20	100nF
C0212	2311049A57	10uF
C0221	2113743E20	100nF
C0222	2113743E20	100nF
C0223	2113743E20	100nF
C0224	2113740F51	100pF
C0225	2113743E20	100nF
C0226	2113743E20	100nF
C0228	2311049A56	4.7uF
C0231	2113743B29	1uF
C0232	2113743E20	100nF
C0234	2113743E20	100nF
C0235	2113743E07	22nF
C0236	2113741F49	10nF
C0241	2113743E20	100nF
C0243	2113740F51	100pF
C0244	2113743E20	100nF
C0245	2113743E20	100nF
C0246	2113741F49	10nF
C0251	2113743E20	100nF
C0252	2311049A07	1uF
C0254	2113743E20	100nF
C0255	2113743E20	100nF
C0256	2113740F51	100pF
C0261	2113743E20	100nF
C0262	2113740F49	82pF
C0265	2113743E20	100nF
C0267	2113741F49	10nF
C0271	2113741F49	10nF
C0272	2113743E20	100nF
C0273	2113741F37	3.3nF
C0275	2311049A99	47uF
C0276	2113741F25	1nF
C0277	2113741F25	1nF
C0290	2311049C01	10uF
C0291	2311049C01	10uF
C0292	2311049C01	10uF
C0293	2311049C01	10uF
C0421	2113743N48	82pF

Circuit Ref	Motorola Part No.	Description
C0514	2113743L09	470pF
C0515	2113743L09	470pF
C0516	2113741F49	10nF
C0517	2113743N48	82pF
C0518	2113743L09	470 pF
C0541	2311049A05	470nF
C0542	2311049A99	47uF
C0591	2113743E20	100nF
C0592	2113743E20	100nF
C0593	2113741B69	100nF
C0601	2113741F17	470pF
C0603	2380090M24	10uF
C0611	2311049C06	22uF
C0612	2113743E20	100nF
C0622	2311049A99	47uF
C0641	2113741F17	470pF
C0644	2311049A97	33uF
C0645	2113743E20	100nF
C0652	2311049A97	33uF
C0654	2311049A57	10uF
C0655	2113743E20	100nF
C0661	2311049C05	47uF
C0662	2113741F49	10nF
C0663	2113743E20	100nF
C0671	2113743E20	100nF
C0681	2113743E20	100nF
C1001	2113740F56	CAP, 160pF
C1002	2113741F49	CAP, .01uF
C1003	2113740F62	CAP, 300pF
C1004	2113740F53	CAP, 120pF
C1006	2113740F46	CAP, 62pF
C1007	2113740F60	CAP, 240pF
C1008	2113741F25	CAP, 1000pF
C1009	2113740F60	CAP, 240pF
C1010	2113740F46	CAP, 62pF
C1011	2113740F53	CAP, 120pF
C1012	2113740F62	CAP, 300pF
C1013	2113741F49	CAP, .01uF
C1014	2113740F56	CAP, 160pF"
C1015	2113741F49	CAP, .01uF
C1016	2113740F55	CAP, 150pF
C1017	2113741F27	CAP, 1200pF
C1019	2113740F60	CAP, 240pF
C1020	2113740F59	CAP, 220pF
C1021	2113740F62	CAP, 300pF
C1022	2113740F58	CAP, 200pF
C1023	2113740F62	CAP, 300pF
C1024	2113740F59	CAP, 220pF
C1025	2113740F60	CAP, 240pF
C1026	2113741F27	CAP, 1200pF
C1027	2113740F55	CAP, 150pF

Circuit Ref	Motorola Part No.	Description
C1028	2113741F49	CAP, .01uF
C1029	2113741F49	CAP, .01uF
C1030	2113743E20	CAP, 0.1uF
C1031	2113743E20	CAP, 0.1uF
C1032	2113740F48	CAP, 75pF
C1033	2113740F50	CAP, 91pF
C1034	2113740F51	CAP, 100pF
C1035	2113740F46	CAP, 62pF
C1036	2113743E20	CAP, 0.1uF
C1037	2113740F59	CAP, 220pF
C1038	2113740F62	CAP, 300pF
C1039	2113740F62	CAP, 300pF
C1040	2113740F59	CAP, 220pF
C1101	2113740F53	CAP, 120pF
C1102	2113740F50	CAP, 91pF
C1103	2113740F58	CAP, 200pF
C1104	2113743E20	CAP, 0.1uF
C1105	2113743E20	CAP, 0.1uF
C1106	2113743E20	CAP, 0.1uF
C1107	2113740F49	CAP, 82pF
C1108	2113743E20	CAP, 0.1uF
C1109	2113740F40	CAP, 36pF
C1110	NOT PLACED	
C1111	2113740L03	CAP, 2.4pF
C1112	2113740F40	CAP, 36pF
C1113	2113743E20	CAP, 0.1uF
C1114	2113743E20	CAP, 0.1uF
C1115	2113740F53	CAP, 120pF
C1116	2113740F41	CAP, 39pF
C1119	2113743E20	CAP, 0.1uF
C1120	NOT PLACED	
C1121	NOT PLACED	
C1122	NOT PLACED	
C1123	2113740F39	CAP, 33pF
C1124	2113743E20	CAP, 0.1uF
C1125	2113743E11	CAP, .039uF
C1126	2113743E20	CAP, 0.1uF
C1127	2311049A57	CAP, 10uF
C1128	2113743E20	CAP, 0.1uF
C1129	2113740F35	CAP, 22pF
C1130	2113740F47	CAP, 68pF
C1131	NOT PLACED	
C1133	2113743E20	CAP, 0.1uF
C1134	2113743E20	CAP, 0.1uF
C1135	2113743E20	CAP, 0.1uF
C1136	2113743E20	CAP, 0.1uF
C1137	2113740F53	CAP, 120pF
C1138	2113743E20	CAP, 0.1uF
C1139	2113741F49	CAP, .01uF
C1140	2113741F49	CAP, .01uF
C1141	2113743E20	CAP, 0.1uF

Circuit Ref	Motorola Part No.	Description
C1142	2113743E20	CAP, 0.1uF
C1143	2113743E20	CAP, 0.1uF
C1144	2113743E20	CAP, 0.1uF
C1145	2113741F41	CAP, 4700pF
C1146	2113740F49	CAP, 82pF
C1147	2113740F65	CAP, 390pF
C1148	2113743E20	CAP, 0.1uF
C1149	2113740F53	CAP, 120pF
C1150	2113740F54	CAP, 130pF
C1151	NOT PLACED	
C1152	NOT PLACED	
C1153	NOT PLACED	
C1201	2113743E20	CAP, 0.1uF
C1202	2311049J11	CAP, 4.7uF
C1203	2113741F49	CAP, .01uF
C1204	2113740F59	CAP, 220pF
C1205	NOT PLACED	
C1206	2113740L37	CAP, 62pF
C1207	2113740F07	CAP, 1.5pF
C1208	2113740A82	CAP, 1500pF
C1209	2311049A57	CAP, 10uF
C1210	2113743E20	CAP, 0.1uF
C1211	2113741F49	CAP, .01uF
C1212	2311049A07	CAP, 1uF
C1213	2113743A23	CAP, 0.22uF
C1214	2113743E10	CAP, .033uF
C1215	2113740C37	CAP, 6800pF
C1216	2311049J11	CAP, 4.7uF
C1217	2113741F49	CAP, .01uF
C1218	2113743E20	CAP, 0.1uF
C1219	2311049J11	CAP, 4.7uF
C1220	2311049J11	CAP, 4.7uF
C1221	NOT PLACED	
C1222	2113740F36	CAP, 24pF
C1223	2113741F49	CAP, .01uF
C1224	2113740F49	CAP, 82pF
C1225	2113741F49	CAP, .01uF
C1226	NOT PLACED	
C1227	2113741F49	CAP, .01uF
C1228	NOT PLACED	
C1229	2113741F49	CAP, .01uF
C1230	2113741F49	CAP, .01uF
C1231	2113741F49	CAP, .01uF
C1232	NOT PLACED	
C1233	NOT PLACED	
C1234	NOT PLACED	
C1250	2311049A09	CAP, 2.2uF
C1251	2113743E20	CAP, 0.1uF
C1252	2113743E05	CAP, .018uF
C1253	2311049J11	CAP, 4.7uF
C1254	2113741F49	CAP, .01uF

Circuit Ref	Motorola Part No.	Description
C1304	NOT PLACED	
C1305	NOT PLACED	
C1306	2113740L23	CAP, 16pF
C1307	2113740L27	CAP, 24pF
C1308	2113740F19	CAP, 4.7pF
C1309	NOT PLACED	
C1311	2113741F49	CAP, .01uF
C1312	2113741F49	CAP, .01uF
C1313	2113741F49	CAP, .01uF
C1314	2113740L27	CAP, 24pF
C1315	2113740L27	CAP, 24pF
C1316	2113740F15	CAP, 3.3pF
C1317	2113743E20	CAP, 0.1uF
C1318	2113741F49	CAP, .01uF
C1319	2113741F49	CAP, .01uF
C1320	2113741F49	CAP, .01uF
C1321	2113740F17	CAP, 3.9pF
C1323	2113740L21	CAP, 13pF
C1325	2113741F49	CAP, .01uF
C1326	2113741F49	CAP, .01uF
C1333	2113740L28	CAP, 27pF
C1334	2113740L36	CAP, 56pF
C1335	2113740F19	CAP, 4.7pF
C1336	2113743E20	CAP, 0.1uF
C1337	NOT PLACED	
C1338	2113741F49	CAP, .01uF
C1339	2113741F49	CAP, .01uF
C1340	2113741F49	CAP, .01uF
C1341	2113740L36	CAP, 56pF
C1342	2113740L36	CAP, 56pF
C1343	2113740F15	CAP, 3.3pF
C1344	2113741F49	CAP, .01uF
C1345	2113743E20	CAP, 0.1uF
C1346	2113741F49	CAP, .01uF
C1347	2113741F49	CAP, .01uF
C1348	2113740F17	CAP, 3.9pF
C1349	2113743E20	CAP, 0.1uF
C1350	2113740F31	CAP, 15pF
C1351	2113741F49	CAP, .01uF
C1352	2113741F49	CAP, .01uF
C1354	NOT PLACED	
C1356	NOT PLACED	
C1360	NOT PLACED	
C1361	NOT PLACED	
C1362	NOT PLACED	
C1401	2113741A45	CAP, .01uF
C1402	2113741A45	CAP, .01uF
C1403	NOT PLACED	
C1404	2113741A45	CAP, .01uF
C1405	2113741A45	CAP, .01uF
C1406	NOT PLACED	

Circuit Ref	Motorola Part No.	Description
C1407	2113741A45	CAP, .01uF
C1408	NOT PLACED	
C1409	NOT PLACED	
C1410	2113741M69	CAP, 0.1uF
C1412	2113741A45	CAP, .01uF
C1413	2113741A45	CAP, .01uF
C1414	2113741A45	CAP, .01uF
C1415	2113741M69	CAP, 0.1uF
C1416	NOT PLACED	
C1417	NOT PLACED	
C1418	2113740A73	CAP, 560pF
C1419	2113741A45	CAP, .01uF
C1420	2113741A45	CAP, .01uF
C1421	NOT PLACED	
C1422	NOT PLACED	
C1423	2113741A45	CAP, .01uF
C1424	2113741A45	CAP, .01uF
C1425	2113741W01	CAP, 1uF
C1426	2113741W01	CAP, 1uF
C1427	2111078B59	CAP, 470pF
C1428	2111078B59	CAP, 470pF
C1429	2111078B58	CAP, 430pF
C1430	2111078B58	CAP, 430pF
C1431	2113741A45	CAP, .01uF
C1432	2113741W01	CAP, 1uF
C1433	2113741W01	CAP, 1uF
C1434	2113741A45	CAP, .01uF
C1435	2113741W01	CAP, 1uF
C1436	2113741A45	CAP, .01uF
C1437	2111078B58	CAP, 430pF
C1438	2111078B58	CAP, 430pF
C1439	2111078B59	CAP, 470pF
C1440	2111078B59	CAP, 470pF
C1441	2111078B52	CAP, 240pF
C1442	2111078B45	CAP, 130pF
C1443	2111078B59	CAP, 470pF
C1444	2111078B59	CAP, 470pF
C1445	2113741A45	CAP, .01uF
C1446	NOT PLACED	
C1447	2111078B52	CAP, 240pF
C1448	2111078B52	CAP, 240pF
C1449	2180060M49	CAP, 180pF
C1450	NOT PLACED	
C1451	2180060M49	CAP, 180pF
C1452	2180060M29	CAP, 27pF
C1453	2180060M42	CAP, 91pF
C1454	2180060M38	CAP, 62pF
C1455	2180060M30	CAP, 30pF
C1456	2180060M40	CAP, 75pF
C1457	2113741A45	CAP, .01uF
C1458	2311049C01	CAP, 10uF

Circuit Ref	Motorola Part No.	Description
C1459	2311049C01	CAP, 10uF
C1460	2113743E20	CAP, 0.1uF
C1461	2113741A45	CAP, .01uF
C1462	2311049C01	CAP, 10uF
C1463	2113928E01	CAP, 1uF
C1464	2113741A45	CAP, .01uF
C1465	2113928E01	CAP, 1uF
C1466	2113741A45	CAP, .01uF
C1467	2113740A46	CAP, 47pF
C1468	2113741A45	CAP, .01uF
C1469	2113741W01	CAP, 1uF
C1470	2113741W01	CAP, 1uF
C1471	2113741A45	CAP, .01uF
C1472	2113741M69	CAP, 0.1uF
C1473	2113741M69	CAP, 0.1uF
C1474	2113741A45	CAP, .01uF
C1475	2113741W01	CAP, 1uF
C1476	2113741A45	CAP, .01uF
C1477	2111078B42	CAP, 100pF
C1478	2111078B42	CAP, 100pF
C1479	2111078B52	CAP, 240pF
C1480	2111078B54	CAP, 300pF
C1481	2111078B54	CAP, 300pF
C1482	2113928E01	CAP, 1uF
C1484	2113741F33	CAP, 2200pF
C1485	2113741A45	CAP, .01uF
C1501	2113741F33	CAP, 2200pF
C1502	2113741F33	CAP, 2200pF
C1503	2113741F33	CAP, 2200pF
C1504	2113741F33	CAP, 2200pF
C1505	2113741F25	CAP, 1nF
C1506	2113741F25	CAP, 1nF
C1507	2113741F33	CAP, 2200pF
C1508	2113741F33	CAP, 2200pF
C1509	2311049A07	CAP, 1uF
C1510	2113741F33	CAP, 2200pF
C1511	2113741F33	CAP, 2200pF
C1512	2113741F33	CAP, 2200pF
C1525	2113743E20	CAP, 0.1uF
C1526	2113740F51	CAP, 100pF
C1527	2113741A45	CAP, .01uF
C1528	2113741A45	CAP, .01uF
C1529	2113741M69	CAP, 0.1uF
C1530	2113741A45	CAP, .01uF
C1531	NOT PLACED	
C1601	2113743E20	CAP, 0.1uF
C1602	2113740F59	CAP, 220pF
C1603	2113743A23	CAP, 0.22uF
C1604	2113743A23	CAP, 0.22uF
C1605	2311049A57	CAP, 10uF
C1606	2113740F59	CAP, 220pF

Circuit Ref	Motorola Part No.	Description
C1607	2113740F51	CAP, 100pF
C1608	2113743A23	CAP, 0.22uF
C1609	2113740F34	CAP, 20pF
C1610	2113741F41	CAP, 4700pF
C1611	2113743E20	CAP, 0.1uF
C1612	2113741F33	CAP, 2200pF
C1613	2113740F54	CAP, 130pF
C1614	2113741F24	CAP, 910pF
C1615	NOT PLACED	
C1616	2113740F40	CAP, 36pF
C1618	2113743A23	CAP, 0.22uF
C1619	2311049A57	CAP, 10uF
C1620	2113741F25	CAP, 1000pF
C1621	NOT PLACED	
C1622	2113743E20	CAP, 0.1uF
C1623	2113740F60	CAP, 240pF
C1624	2113741F37	CAP, 3300pF
C1625	2113740F29	CAP, 12pF
C1626	2113740F59	CAP, 220pF
C1627	2113743A23	CAP, 0.22uF
C1628	2113743E20	CAP, 0.1uF
C1629	2113740F39	CAP, 33pF
C1631	2311049A57	CAP, 10uF
C1632	2113743E20	CAP, 0.1uF
C1633	2113743A23	CAP, 0.22uF
C1634	2113741A45	CAP, .01uF
CR1201	4802245J22	1T363
CR1202	4802233J09	IMN10
CR1302	4805649Q14	HN1V02H
CR1306	4880154K03	MMBD353
CR1310	4805649Q14	HN1V02H
CR1314	4880154K03	MMBD353
D0101	4880236E05	Schottky
D0151	4813833C02	Dual
D0179	4813833C02	Dual
D0621	4813833C02	Dual
D0651	4813833C02	Dual
D0660	4813833C02	Dual
D0661	4813833C02	Dual
D1001	4880154K03	MMBD353
D1101	4880154K03	MMBD353
D1401	4808379X02	MA4P1450
D1402	4808379X02	MA4P1450
D1501	4880236E05	MMBD301
D1502	4813833C02	MMBD6100
D1503	4813833C02	MMBD6100
D1601	4880154K03	MMBD353
E0271	2484657R01	Ferrite Bead
E0272	2484657R01	Ferrite Bead
E0631	2484657R01	Ferrite Bead
E1401	2408380X02	2773037446

Circuit Ref	Motorola Part No.	Description
E1403	2408380X02	2773037446
F0401	06580542Z01	FUSE
FL1101	9180656U03	CFEC10_7MG1
FL1102	9180022M09	FILTER
FL1104	9180468V04	CFUCJ455F
FL1105	9180468V05	CFUCJ455E
FL1106	9180469V04	CFWC455F
FL1107	9180469V05	CFWC455E
J0401	0902636Y02	Connector, Flex, 12-pin
J0451	0902636Y01	Conn, Flex, Side Entry
J0501	0986105B01	Connector, SMD, 20-pin
J0551	0905505Y04	Conn, ZIF
J0552	0905505Y03	Conn, 18-Pin
J0601	0986165B01	DC Power Connector
J1401	0986166B02	CONN_J
L1001	2408382A11	IDCTR, 130nH
L1002	2408382C11	IDCTR, 130nH
L1003	2408382A11	IDCTR, 130nH
L1004	2408382C11	IDCTR, 130nH
L1005	2408382A11	IDCTR, 130nH
L1006	2408382A11	IDCTR, 130nH
L1007	2408382C11	IDCTR, 130nH
L1008	2408382A11	IDCTR, 130nH
L1009	2408382C11	IDCTR, 130nH
L1010	2408382A11	IDCTR, 130nH
L1011	2462587N68	IDCTR, 1uH
L1012	2462587N57	IDCTR, 220nH
L1013	2462587N59	IDCTR, 330nH
L1014	2462587N57	IDCTR, 220nH
L1101	2462587N33	IDCTR, 1.8uH
L1102	2408383X07	IDCTR, 3.3uH
L1103	2462587N33	IDCTR, 1.8uH
L1104	2480289M10	IDCTR, 6.8uH
L1105	2480289M10	IDCTR, 6.8uH
L1106	2462587N33	IDCTR, 1.8uH
L1107	2480289M09	IDCTR, 5.6uH
L1108	NOT PLACED	
L1109	NOT PLACED	
L1110	2480289M18	IDCTR, 33uH
L1111	2408383X07	IDCTR, 3.3uH
L1112	2483411T35	IDCTR, 6.8uH
L1201	2480289M17	IDCTR, 27uH
L1202	2462587Q20	IDCTR, 2.2uH
L1204	NOT PLACED	
L1205	2462587N62	IDCTR, 560nH
L1206	2480289M17	IDCTR, 27uH
L1207	NOT PLACED	
L1302	2408382D19	IDCTR, 491nH
L1303	2480289M17	IDCTR, 27uH"
L1304	2462587N66	IDCTR, 820nH
L1305	2480289M17	IDCTR, 27uH

Circuit Ref	Motorola Part No.	Description
L1306	2480289M17	IDCTR, 27uH
L1307	2480289M17	IDCTR, 27uH
L1309	2480289M17	IDCTR, 27uH
L1310	2462587N60	IDCTR, 390nH
L1311	2480289M17	IDCTR, 27uH
L1313	2408382D19	IDCTR, 491nH
L1314	2480289M18	IDCTR, 33uH
L1315	2462587N69	IDCTR, 1.2uH
L1316	2480289M18	IDCTR, 33uH
L1317	2480289M18	IDCTR, 33uH
L1318	2480289M18	IDCTR, 33uH
L1321	2462587N58	IDCTR, 270nH
L1322	2480289M18	IDCTR, 33uH
L1324	2480289M18	IDCTR, 33uH
L1401	NOT PLACED	
L1402	2462587U09	IDCTR, 4.7uH
L1403	2462587U09	IDCTR, 4.7uH
L1404	2462587N56	IDCTR, 180nH
L1405	NOT PLACED	
L1406	2408381X36	IDCTR, 250.974nH
L1413	2408381X17	IDCTR, 88.470nH
L1414	2408381X17	IDCTR, 88.470nH
L1415	2460591X02	IDCTR, 25nH
L1416	2460591X02	IDCTR, 25nH
L1417	2460591X02	IDCTR, 25nH
L1418	2408381X17	IDCTR, 88.470nH
L1419	2480289M17	IDCTR, 27uH
L1420	2408381X31	IDCTR, 196.876nH
L1421	2408381X27	IDCTR, 150.499nH
L1422	2408381X24	IDCTR, 133.304nH
L1423	2408381X15	IDCTR, 78.727nH
L1424	2408384A08	IDCTR, 82nH
L1425	2460591X02	IDCTR, 25nH
L1426	2460591X02	IDCTR, 25nH
L1601	2483411T45	IDCTR, 47uH
L1602	2483411T45	IDCTR, 47uH
L1603	2483411T73	IDCTR, 1uH
L1604	2483411T45	IDCTR, 47uH
L1605	2483411T41	IDCTR, 22uH
L1606	2462587T30	IDCTR, 1uH
L1607	2462587T30	IDCTR, 1uH
M1401	2686201B01	HEATSINK
Q0110	4880048M01	NPN
Q0151	4880048M01	NPN
Q0171	4880048M01	NPN
Q0173	4880052M01	NPN
Q0177	4880048M01	NPN
Q0181	4880048M01	NPN
Q0183	4880048M01	NPN
Q0185	4880048M01	NPN
Q0271	4813824A10	NPN

Circuit Ref	Motorola Part No.	Description
Q0641	4880048M01	NPN
Q0661	4805921T02	DUAL
Q0662	4813824A10	NPN
Q0663	4880048M01	NPN
Q0681	4880052M01	NPN
Q1001	4880173R01	MMBR951
Q1002	4813824A17	MMBT3906
Q1003	4813824A17	MMBT3906
Q1101	4813827A07	MMBR941
Q1102	4813823A05	MMBFU310L
Q1103	4813823A05	MMBFU310L
Q1104	4813823A05	MMBFU310L
Q1105	4880048M01	DTC144EKA
Q1106	4813827A07	MMBR941
Q1201	4813824A17	MMBT3906
Q1202	4880173R01	MMBR951
Q1303	4884235R02	MMBFU310
Q1304	4880173R01	MMBR951
Q1305	4880173R01	MMBR951
Q1306	4884235R02	MMBFU310
Q1307	4880173R01	MMBR951
Q1308	4880173R01	MMBR951
Q1401	4886212B01	MRF1518
Q1402	4886136B01	36B01
Q1403	4886136B01	36B01
Q1404	NOT PLACED	
Q1501	4880141L03	BCW68G
Q1502	4813824A10	MMBT3904
Q1503	4813824A10	MMBT3904
Q1504	4813824A10	MMBT3904
Q1505	4813824A17	MMBT3906
Q1506	4813824A10	MMBT3904
Q1601	4813824A17	MMBT3906
Q1602	4880048M01	DTC144EKA
Q1603	4813824A10	MMBT3904
Q1604	4813824A10	MMBT3904
Q1605	4813824A10	MMBT3904
Q1606	4813824A17	MMBT3906
Q1607	4813824A10	MMBT3904
Q1609	4813824A17	MMBT3906
Q1610	4805585Q17	NE25139
R0101	0662057A73	10K
R0102	0662057A65	4.7K
R0104	0662057A73	10K
R0105	0662057A97	100K
R0108	0662057A57	2.2K
R0111	0662057B47	0
R0113	0662057A73	10K
R0114	0662057A73	10K
R0115	0662057A73	10K
R0117	0662057A63	3.9K

Circuit Ref	Motorola Part No.	Description
R0121	0662057A97	100K
R0131	0662057B46	10.0M
R0132	0662057B10	330K
R0151	0662057A82	24K
R0152	0662057A82	24K
R0170	0662057A73	10K
R0171	0662057A65	4.7K
R0172	0662057A73	10K
R0173	0662057A65	4.7K
R0174	0662057A73	10K
R0175	0662057A73	10K
R0176	0662057A84	30K
R0177	0662057A65	4.7K
R0178	0662057A89	47K
R0179	0662057A89	47K
R0181	0662057A65	4.7K
R0182	0662057A89	47K
R0183	0662057A65	4.7K
R0184	0662057A89	47K
R0185	0662057A65	4.7K
R0186	0662057A89	47K
R0201	0662057A25	100
R0202	0662057A43	560
R0203	0662057A25	100
R0204	0662057A43	560
R0205	0662057A73	10K
R0206	0662057A73	10K
R0207	0662057A57	2.2K
R0208	0662057A57	2.2K
R0211	0660076E70	7.5K
R0212	0660076E70	7.5K
R0221	0662057A82	24K
R0222	0662057A82	24K
R0223	0662057A84	30K
R0224	0662057A71	8.2K
R0228	0662057B47	0
R0229	0662057A01	10
R0241	0662057A89	47K
R0242	0662057B47	0
R0251	0662057A89	47K
R0252	0662057A91	56K
R0253	0662057A97	100K
R0254	0662057A73	10K
R0255	0662057A73	10K
R0556	0662057A97	100K
R0257	0662057A57	2.2K
R0261	0662057A73	10K
R0262	0662057A97	100K
R0265	0662057A82	24K
R0267	0662057A89	47K
R0268	0662057A73	10K

Circuit Ref	Motorola Part No.	Description
R0269	0662057A41	470
R0273	0662057A82	24K
R0275	0662057A73	10K
R0276	0662057A77	15K
R0401	0662057A33	220
R0407	0662057M26	10
R0408	0662057A25	100
R0409	0662057M26	10
R0412	0662057B47	0
R0441	0662057B47	0
R0242	0662057A49	1K
R0467	0662057M26	10
R0468	0662057M26	10
R0481	0662057B47	0
R0482	0662057B47	0
R0510	0662057A65	4.7K
R0511	0662057A97	100K
R0512	0662057A77	15K
R0525	0662057A97	100K
R0529	0662057A89	47K
R0530	0662057B47	0
R0531	0662057A43	560
R0533	0662057B47	0
R0535	0662057A49	1K
R0537	0662057A33	220
R0538	0662057A33	220
R0539	0662057A65	4.7K
R0541	0662057A83	27K
R0543	0662057A97	100K
R0591	0662057A82	24K
R0592	0662057A01	10
R0593	0662057A97	100K
R0611	0662057A91	56K
R0612	0662057A65	4.7K
R0621	0662057A82	24K
R0641	0662057A73	10K
R0642	0660076E70	7.5K
R0643	0660076E51	1.2K
R0651	0662057A01	10
R0652	0662057A01	10
R0661	0662057A49	1K
R0662	0662057B02	150K
R0671	0662057A84	30K
R0672	0662057A73	10K
R0681	0662057A79	18K
R0682	0662057A93	68K
R1001	0662057A05	RES, 15
R1002	0662057A05	RES, 15
R1003	0662057A41	RES, 470
R1004	0662057A59	RES, 2.7K
R1005	0662057A31	RES, 180

Circuit Ref	Motorola Part No.	Description
R1006	0662057A73	RES, 10K
R1007	0662057A71	RES, 8.2K
R1008	0662057A65	RES, 4.7K
R1009	NOT PLACED	
R1010	NOT PLACED	
R1011	NOT PLACED	
R1101	0662057A18	RES, 51
R1102	0662057A78	RES, 16K
R1103	0662057A39	RES, 390
R1104	0662057A71	RES, 8.2K
R1106	0662057A25	RES, 100
R1107	0662057A68	RES, 6.2K
R1108	0662057A61	RES, 3.3K
R1109	0662057A37	RES, 330
R1110	0662057A25	RES, 100
R1111	0662057A17	RES, 47
R1113	0662057A64	RES, 4.3K
R1114	0662057A64	RES, 4.3K
R1115	0662057A75	RES, 12K
R1116	NOT PLACED	
R1117	0662057A37	RES, 330
R1118	0662057A56	RES, 2K
R1119	0662057A83	RES, 27K
R1120	0662057A18	RES, 51
R1121	0662057A71	RES, 8.2K
R1122	0662057A73	RES, 10K
R1123	0662057A51	RES, 1.2K
R1124	NOT PLACED	
R1125	NOT PLACED	
R1126	NOT PLACED	
R1127	NOT PLACED	
R1128	0662057A73	RES, 10K
R1129	0662057A73	RES, 10K
R1130	0662057A73	RES, 10K
R1131	0662057A77	RES, 15K
R1132	0662057A58	RES, 2.4K
R1133	0662057A61	RES, 3.3K
R1134	0662057A05	RES, 15
R1135	0662057A20	RES, 62
R1136	0662057A45	RES, 680
R1137	0662057A75	RES, 12K
R1138	0662057A01	RES, 10
R1139	0611077A12	RES, 2.7
R1201	0662057B47	RES, 0
R1202	NOT PLACED	
R1203	0662057B02	RES, 150K
R1204	0662057B47	RES, 0
R1205	0662057A45	RES, 680
R1206	0662057A41	RES, 470
R1207	NOT PLACED	
R1208	0662057A18	RES, 51

Circuit Ref	Motorola Part No.	Description
R1209	0662057A61	RES, 3.3K
R1210	0662057A33	RES, 220
R1211	0662057B14	RES, 470K
R1212	0662057A25	RES, 100
R1213	0662057A45	RES, 680
R1214	0662057A54	RES, 1.6K
R1215	0662057A21	RES, 68
R1216	0662057A18	RES, 51
R1217	0662057A25	RES, 100
R1218	0662057A17	RES, 47
R1219	0662057A17	RES, 47
R1220	0662057A17	RES, 47
R1221	0662057B47	RES, 0
R1222	NOT PLACED	
R1306	0662057B47	RES, 0
R1307	0662057A19	RES, 56
R1308	0662057A19	RES, 56
R1309	0662057A41	RES, 470
R1311	0662057A73	RES, 10K
R1312	0662057A51	RES, 1.2K
R1313	0662057A51	RES, 1.2K
R1314	0662057A37	RES, 330
R1315	0662057A61	RES, 3.3K
R1316	0662057A45	RES, 680
R1317	0662057A09	RES, 22
R1318	0662057A41	RES, 470
R1319	0662057A01	RES, 10
R1320	0662057A41	RES, 470
R1325	0662057B47	RES, 0
R1326	0662057A19	RES, 56
R1327	0662057A19	RES, 56
R1328	0662057A41	RES, 470
R1330	0662057A73	RES, 10K
R1331	0662057A51	RES, 1.2K
R1332	0662057A51	RES, 1.2K
R1333	0662057A37	RES, 330
R1334	0662057A61	RES, 3.3K
R1335	0662057A47	RES, 820
R1336	0662057A09	RES, 22
R1337	0662057A22	RES, 75
R1338	0662057A27	RES, 120
R1339	0662057A22	RES, 75
R1340	0662057A49	RES, 1K
R1341	0662057A25	RES, 100
R1342	0662057A25	RES, 100
R1343	0662057C55	RES, 150
R1344	0662057A49	RES, 1K
R1345	0662057A25	RES, 100
R1346	0662057A25	RES, 100
R1347	0662057C55	RES, 150
R1376	0662057A65	RES, 4.7K

Circuit Ref	Motorola Part No.	Description
R1402	0611079A64	RES, 390
R1404	0680194M18	RES, 51
R1405	0680194M18	RES, 51
R1406	0662057A73	RES, 10K
R1407	0662057A73	RES, 10K
R1409	0682089V01	RES, .01
R1410	0683962T52	RES, 130
R1411	0662057C99	RES, 10K
R1412	NOT PLACED	
R1413	0680194M01	RES, 10
R1414	0680194M01	RES, 10
R1415	NOT PLACED	
R1416	0680194M01	RES, 10
R1417	0680194M01	RES, 10
R1418	0680194M01	RES, 10
R1419	0680194M01	RES, 10
R1420	0680194M01	RES, 10
R1421	0680194M01	RES, 10
R1422	0680194M01	RES, 10
R1423	0680194M01	RES, 10
R1424	0662057D10	RES, 27K
R1425	0662057D10	RES, 27K
R1440	0662057A25	RES, 100
R1441	NOT PLACED	
R1442	0662057B47	RES, 0
R1443	0662057A49	RES, 1K
R1444	0662057A33	RES, 220
R1445	0662057A68	RES, 6.2K
R1446	NOT PLACED	
R1447	0662057B47	RES, 0
R1448	NOT PLACED	
R1449	0611079A64	RES, 390
R1450	0683962T71	RES, 820
R1451	NOT PLACED	
R1453	0662057K31	RES, 180
R1454	0662057K31	RES, 180
R1455	0662057K31	RES, 180
R1457	0662057K01	RES, 10
R1458	0611079A64	RES, 390
R1459	0611079A64	RES, 390
R1460	0680106R01	RES, 0.1
R1463	0662057A75	RES, 12K
R1464	0662057A61	RES, 3.3K
R1465	0662057A61	RES, 3.3K
R1466	NOT PLACED	
R1467	NOT PLACED	
R1468	NOT PLACED	
R1469	0662057C01	RES, 0
R1470	NOT PLACED	
R1471	NOT PLACED	
R1472	0662057A73	RES, 10K

Circuit Ref	Motorola Part No.	Description
R1473	0680194M01	RES, 10
R1474	0680194M01	RES, 10"
R1475	0680194M01	RES, 10
R1476	0680194M01	RES, 10
R1477	0662057A61	RES, 3.3K
R1478	0662057A73	RES, 10K
R1479	0662057A61	RES, 3.3K
R1480	0662057D10	RES, 27K
R1482	0662057B47	RES, 0
R1483	0662057A34	RES, 240
R1484	0662057A49	RES, 1K
R1501	0662057A45	RES, 680
R1502	0662057C67	RES, 470
R1503	0662057A61	RES, 3.3K
R1504	0662057A73	RES, 10K
R1505	0662057A69	RES, 6.8K
R1506	0662057A87	RES, 39K
R1507	0662057A49	RES, 1K
R1508	0662057R17	RES, 43.2
R1509	0662057P95	RES, 100K
R1510	NOT PLACED	
R1511	0662057P95	RES, 100K
R1512	NOT PLACED	
R1513	0662057C76	RES, 1.1K
R1514	0662057A97	RES, 100K
R1515	0662057A49	RES, 1K
R1516	0662057C71	RES, 680
R1517	0662057C71	RES, 680
R1518	0662057A61	RES, 3.3K
R1519	0662057C71	RES, 680
R1522	0662057A73	RES, 10K
R1523	NOT PLACED	
R1524	0662057C71	RES, 680
R1525	NOT PLACED	
R1526	0662057A97	RES, 100K
R1527	0662057A97	RES, 100K
R1528	0662057A80	RES, 20K
R1532	0662057A95	RES, 82K
R1533	0662057A73	RES, 10K
R1535	0662057R16	RES, 39.2
R1539	0662057A53	RES, 1.5K
R1540	0662057A53	RES, 1.5K
R1542	0662057A49	RES, 1K
R1543	0662057A49	RES, 1K
R1544	0662057A90	RES, 51K
R1545	0662057A65	RES, 4.7K
R1601	0662057A73	RES, 10K
R1602	0662057A65	RES, 4.7K
R1604	0662057A49	RES, 1K
R1605	0662057B10	RES, 330K
R1606	0662057B02	RES, 150K

Circuit Ref	Motorola Part No.	Description
R1607	0662057B19	RES, 750K
R1608	0662057A57	RES, 2.2K
R1609	0662057A73	RES, 10K
R1610	0662057A82	RES, 24K
R1611	0662057A49	RES, 1K
R1612	0662057A25	RES, 100
R1613	0662057A59	RES, 2.7K
R1614	0662057A49	RES, 1K
R1615	0662057A49	RES, 1K
R1616	0662057A33	RES, 220
R1617	0662057A57	RES, 2.2K
R1620	0662057A51	RES, 1.2K
R1621	0662057A68	RES, 6.2K
R1622	0662057A49	RES, 1K
R1626	0662057A18	RES, 51
R1627	0662057A73	RES, 10K
R1628	0662057A55	RES, 1.8K
R1629	0662057A67	RES, 5.6K
R1630	0662057A53	RES, 1.5K
R1631	0662057A18	RES, 51
R1632	0662057A82	RES, 24K
R1633	NOT PLACED	
R1635	0662057B47	RES, 0
R1636	0662057A42	RES, 510
R1637	0662057A59	RES, 2.7K
R1638	0662057A55	RES, 1.8K
SH1201	NOT PLACED	
SH1202	NOT PLACED	
SH1301	NOT PLACED	
SH1302	NOT PLACED	
U0101	5102226J56	Microprocessor_
* U0111	5102463J64	EEPROM
* U0121	5186137B01	Flash ROM
U0122	5185963A21	SRAM
U0141	5113805A30	Remux
U0211	5183222M49	Operational Amplifier
U0221	5109731C21	ASFC Compander
U0251	5113806A20	Mux/Demux
U0271	5109699X01	Audio PA
U0611	5183308X01	Voltage Regulator
U0641	5183308X01	Voltage Regulator
U0651	5113816A07	Voltage Regulator
U0652	5113815A02	Undervoltage Sensor
U1001	4802245J50	UMC5N
U1051	5108278X01	MIXER
U1101	5113805A86	MC74HC4066
U1102	5113805A86	MC74HC4066
U1103	5186144B01	SA616
U1201	5185963A27	63A27
U1250	5185963A33	LP2951
U1377	4802245J50	UMC5N

Circuit Ref	Motorola Part No.	Description
U1378	4802245J50	UMC5N
U1401	5185130C65	30C65
U1402	5113818A03	MC33072
U1501	5185963A15	LM50
U1502	5109731C21	LM6142
U1503	5185765B28	H99S-4
U1601	5180929W01	MC1350
Y1101	4880908W08	08W08
Y1102	9186145B02	45B02
VR0151	4813830A15	5.6V
VR0501	4805656W09	Zener Quad
VR0503	4805656W09	Zener Quad
VR0504	4813830A40	Auto Shutdown
VR0505	4805656W09	Zener Quad
VR0509	4813830A40	Auto Shutdown
VR0510	4813830A40	Auto Shutdown
VR0537	4813830A15	5.6V
VR0541	4813830A27	14V
VR0601	4813832C77	Transient Suppressor
VR0621	4813830A15	5.6V
Y0131	4880113R19	Crystal 38.4KHZ
Y1201	4880114R04	XTAL
Y1202	NOT PLACED	

*Motorola Depot Servicing only
 Reference designators with an asterisk indicate components which are not field replaceable because they need to be calibrated with specialized factory equipment after installation.
 Radios in which these parts have been replaced in the field will be off frequency at temperature extremes.

Low Band Range 3 PCB 8486908Z02 Parts List

Circuit Ref	Motorola Part No.	Description
C0101	2113740F51	CAP, 100pF
C0102	NOT PLACED	
C0103	NOT PLACED	
C0104	NOT PLACED	
C0105	NOT PLACED	
C0106	NOT PLACED	
C0107	2113741F25	CAP, 1000pF
C0108	NOT PLACED	
C0111	NOT PLACED	
C0112	2113743E20	CAP, 0.1uF
C0121	2113743E20	CAP, 0.1uF
C0122	2113743E20	CAP, 0.1uF
C0123	NOT PLACED	
C0131	2113740F35	CAP, 22pF
C0132	2113740F35	CAP, 22pF
C0141	2113743E20	CAP, 0.1uF
C0151	2113741F49	CAP, 0.1uF
C0201	2311049A57	CAPP, 10uF
C0202	2311049A57	CAPP, 10uF
C0203	NOT PLACED	
C0204	2113743E20	CAP, 0.1uF
C0205	NOT PLACED	
C0211	NOT PLACED	
C0212	2311049A57	CAPP, 10uF
C0221	2113743E20	CAP, 0.1uF
C0222	2113743E20	CAP, 0.1uF
C0223	2113743E20	CAP, 0.1uF
C0224	2113740F51	CAP, 100pF
C0225	2113743E20	CAP, 0.1uF
C0226	2113743E20	CAP, 0.1uF
C0227	NOT PLACED	
C0228	2311049A56	CAPP, 4.7uF
C0231	2113743B29	CAP, 1uF
C0232	2113743E20	CAP, 0.1uF
C0233	NOT PLACED	
C0234	2113743E20	CAP, 0.1uF
C0235	2113743E07	CAP, 0.22uF
C0236	2113743E10	CAP, 0.33uF
C0237	NOT PLACED	
C0241	2113743E20	CAP, 0.1uF
C0242	NOT PLACED	
C0243	2113740F51	CAP, 100pF
C0244	2113743E20	CAP, 0.1uF
C0245	2113743E20	CAP, 0.1uF
C0246	2113741F49	CAP, 0.1uF
C0251	2113743E20	CAP, 0.1uF
C0252	2311049A07	CAPP, 1uF
C0253	NOT PLACED	
C0254	2113743E20	CAP, 0.1uF

Circuit Ref	Motorola Part No.	Description
C0490	2113743L09	CAP, 470pF
C0491	2113743L09	CAP, 470pF
C0492	2113743L09	CAP, 470pF
C0493	2113743L09	CAP, 470pF
C0494	2113743L09	CAP, 470pF
C0495	2113743L09	CAP, 470pF
C0496	2113743L09	CAP, 470pF
C0497	2113743L09	CAP, 470pF
C0499	2113743L09	CAP, 470pF
C0501	2113741F49	CAP, 0.1uF
C0502	2113741F17	CAP, 470pF
C0503	2113741F17	CAP, 470pF
C0504	2113741F17	CAP, 470pF
C0505	2113741F17	CAP, 470pF
C0506	2113741F17	CAP, 470pF
C0508	2113741F17	CAP, 470pF
C0509	2113741F17	CAP, 470pF
C0510	2113741F17	CAP, 470pF
C0511	2113741F17	CAP, 470pF
C0512	2113741F17	CAP, 470pF
C0513	2113741F17	CAP, 470pF
C0514	2113741F17	CAP, 470pF
C0515	2113741F17	CAP, 470pF
C0516	2113741F49	CAP, 0.1uF
C0517	2113743N48	CAP, 82pF
C0518	2113741F17	CAP, 470pF
C0541	2311049A05	CAPP, 0.47uF
C0542	2311049A99	CAPP, 47uF
C0554	NOT PLACED	
C0558	NOT PLACED	
C0559	NOT PLACED	
C0560	NOT PLACED	
C0575	NOT PLACED	
C0576	NOT PLACED	
C0591	2113743E20	CAP, 0.1uF
C0592	2113743E20	CAP, 0.1uF
C0593	2113741B69	CAP, 0.1uF
C0601	2113741F17	CAP, 470pF
C0603	2380090M24	CAPP, 10uF
C0611	2311049C06	CAPP, 22uF
C0612	2113743E20	CAP, 0.1uF
C0621	NOT PLACED	
C0622	2311049A99	CAPP, 47uF
C0641	2113741F17	CAP, 470pF
C0644	2311049A97	CAPP, 33uF
C0645	2113743E20	CAP, 0.1uF
C0651	NOT PLACED	
C0652	2311049A97	CAPP, 33uF
C0654	2311049A57	CAPP, 10uF
C0655	2113743E20	CAP, 0.1uF
C0661	2311049C05	CAPP, 47uF

Circuit Ref	Motorola Part No.	Description
C0662	2113741F49	CAP, 0.1uF
C0663	2113743E20	CAP, 0.1uF
C0671	2113743E20	CAP, 0.1uF
C0681	2113743E20	CAP, 0.1uF
C1001	NOT PLACED	
C1002	2113741F49	CAP, 0.1uF
C1003	2113740F50	CAP, 91pF
C1004	2113740F57	CAP, 180pF
C1005	NOT PLACED	
C1006	2113740F45	CAP, 56pF
C1007	2113740F57	CAP, 180pF
C1008	2113740F69	CAP, 560pF
C1009	2113740F57	CAP, 180pF
C1010	2113740F42	CAP, 43pF
C1011	2113740F48	CAP, 75pF
C1012	2113740F60	CAP, 240pF
C1013	2113741F21	CAP, 680pF
C1014	2113740F54	CAP, 130pF
C1015	2113741F49	CAP, 0.1uF
C1016	2113740F54	CAP, 130pF
C1017	2113740F67	CAP, 470pF
C1018	NOT PLACED	
C1019	2113740F63	CAP, 330pF
C1020	2113740F56	CAP, 160pF
C1021	2113740F65	CAP, 390pF
C1022	2113740F55	CAP, 150pF
C1023	2113740F65	CAP, 390pF
C1024	2113740F56	CAP, 160pF
C1025	2113740F62	CAP, 300pF
C1026	2113741F25	CAP, 1000pF
C1027	2113740F52	CAP, 110pF
C1028	2113741F49	CAP, 0.1uF
C1029	2113741F49	CAP, 0.1uF
C1030	2113743E20	CAP, 0.1uF
C1031	2113743E20	CAP, 0.1uF
C1032	2113740F46	CAP, 62pF
C1033	2113740F47	CAP, 68pF
C1034	2113740F48	CAP, 75pF
C1035	2113740F44	CAP, 51pF
C1036	2113743E20	CAP, 0.1uF
C1037	2113740F62	CAP, 300pF
C1038	2113740F65	CAP, 390pF
C1039	2113740F65	CAP, 390pF
C1040	2113740F62	CAP, 300pF
C1041	2113740F59	CAP, 220pF
C1042	2113740F59	CAP, 220pF
C1101	2113740F53	CAP, 120pF
C1102	2113740F50	CAP, 91pF
C1103	2113740F58	CAP, 200pF
C1104	2113743E20	CAP, 0.1uF
C1105	2113743E20	CAP, 0.1uF

Circuit Ref	Motorola Part No.	Description
C1106	2113743E20	CAP, 0.1uF
C1107	2113740F49	CAP, 82pF
C1108	2113743E20	CAP, 0.1uF
C1109	2113740F40	CAP, 36pF
C1110	NOT PLACED	
C1111	2113740L03	CAP, 2.4pF
C1112	2113740F40	CAP, 36pF
C1113	2113743E20	CAP, 0.1uF
C1114	2113743E20	CAP, 0.1uF
C1115	2113740F53	CAP, 120pF
C1116	2113740F41	CAP, 39pF
C1119	2113743E20	CAP, 0.1uF
C1120	NOT PLACED	
C1121	NOT PLACED	
C1122	NOT PLACED	
C1123	2113740F39	CAP, 33pF
C1124	2113743E20	CAP, 0.1uF
C1125	2113743E11	CAP, .039uF
C1126	2113743E20	CAP, 0.1uF
C1127	2311049A57	CAPP, 10uF
C1128	2113743E20	CAP, 0.1uF
C1129	2113740F35	CAP, 22pF
C1130	2113740F47	CAP, 68pF
C1131	NOT PLACED	
C1133	2113743E20	CAP, 0.1uF
C1134	2113743E20	CAP, 0.1uF
C1135	2113743E20	CAP, 0.1uF
C1136	2113743E20	CAP, 0.1uF
C1137	2113740F53	CAP, 120pF
C1138	2113743E20	CAP, 0.1uF
C1139	2113741F49	CAP, .01uF
C1140	2113741F49	CAP, .01uF
C1141	2113743E20	CAP, 0.1uF
C1142	2113743E20	CAP, 0.1uF
C1143	2113743E20	CAP, 0.1uF
C1144	2113743E20	CAP, 0.1uF
C1145	2113741F41	CAP, 4700pF
C1146	2113740F49	CAP, 82pF
C1147	2113740F65	CAP, 390pF
C1148	2113743E20	CAP, 0.1uF
C1149	2113740F53	CAP, 120pF
C1150	2113740F54	CAP, 130pF
C1151	NOT PLACED	
C1152	NOT PLACED	
C1153	NOT PLACED	
C1201	2113743E20	CAP, 0.1uF
C1202	2311049J11	CAPP, 4.7uF
C1203	2113741F49	CAP, .01uF
C1204	2113740F59	CAP, 220pF
C1205	NOT PLACED	
C1206	2113740L37	CAP, 62pF

Circuit Ref	Motorola Part No.	Description
C1207	2113740F07	CAP, 1.5pF
C1208	NOT PLACED	
C1209	2311049A57	CAPP, 10uF
C1210	2113743E20	CAP, 0.1uF
C1211	2113741F49	CAP, .01uF
C1212	2311049A07	CAPP, 1uF
C1213	2113743A23	CAP, 0.22uF
C1214	2113743E10	CAP, .033uF
C1215	2113740C37	CAP, 6800pF
C1216	2311049J11	CAPP, 4.7uF
C1217	2113741F49	CAP, .01uF
C1218	2113743E20	CAP, 0.1uF
C1219	2311049J11	CAPP, 4.7uF
C1220	2311049J11	
C1221	NOT PLACED	
C1222	2113740F40	CAP, 36pF
C1223	2113741F49	CAP, .01uF
C1224	2113740F49	CAP, 82pF
C1225	2113741F49	CAP, .01uF
C1226	NOT PLACED	
C1227	2113741F49	CAP, .01uF
C1228	NOT PLACED	
C1229	2113741F49	CAP, .01uF
C1230	2113741F49	CAP, .01uF
C1231	2113741F49	CAP, .01uF
C1232	NOT PLACED	
C1233	NOT PLACED	
C1234	NOT PLACED	
C1250	2311049A09	CAPP, 2.2uF
C1251	2113743E20	CAP, 0.1uF
C1252	2113743E05	CAP, .018uF
C1253	2311049J11	CAPP, 4.7uF
C1254	2113741F49	CAP, .01uF
C1304	NOT PLACED	
C1305	NOT PLACED	
C1306	2113740L23	CAP, 16pF
C1307	2113740L21	CAP, 13pF
C1308	2113740F19	CAP, 4.7pF
C1309	NOT PLACED	
C1311	2113741F49	CAP, .01uF
C1312	2113741F49	CAP, .01uF
C1313	2113741F49	CAP, .01uF
C1314	2113740L21	CAP, 13pF
C1315	2113740L21	CAP, 13pF
C1316	2113640F15	CAP, 3.3pF
C1317	2113743E20	CAP, 0.1uF
C1318	2113741F49	CAP, .01uF
C1319	2113741F49	CAP, .01uF
C1320	2113741F49	CAP, .01uF
C1321	2113740F17	CAP, 3.9pF
C1323	2113740L21	CAP, 13pF

Circuit Ref	Motorola Part No.	Description
C1325	2113741F49	CAP, .01uF
C1326	2113741F49	CAP, .01uF
C1333	2113740L26	CAP, 22pF
C1334	2113740L31	CAP, 36pF
C1335	2113740F19	CAP, 4.7pF
C1336	2133743E20	CAP, 0.1uF
C1337	NOT PLACED	
C1338	2113741F49	CAP, .01uF
C1339	2113741F49	CAP, .01uF
C1340	2113741F49	CAP, .01uF
C1341	2113740L31	CAP, 36pF
C1342	2113740L31	CAP, 36pF
C1343	2113740F15	CAP, 3.3pF
C1344	2113741F49	CAP, .01uF
C1345	2113743E20	CAP, 0.1uF
C1346	2113741F49	CAP, .01uF
C1347	2113741F49	CAP, .01uF
C1348	2113740F17	CAP, 3.9pF
C1349	2113743E20	CAP, 0.1uF
C1350	2113740F31	CAP, 15pF
C1351	2113741F49	CAP, .01uF
C1352	2113741F49	CAP, .01uF
C1354	NOT PLACED	
C1356	NOT PLACED	
C1360	NOT PLACED	
C1361	NOT PLACED	
C1362	NOT PLACED	
C1401	2113741A45	CAP, .01uF
C1402	2113741A45	CAP, .01uF
C1403	NOT PLACED	
C1404	2113741A45	CAP, .01uF
C1405	2113741A45	CAP, .01uF
C1406	NOT PLACED	
C1407	2113741A45	CAP, .01uF
C1408	NOT PLACED	
C1409	NOT PLACED	
C1410	2113741M69	CAP, 0.1uF
C1412	2113740A65	CAP, 270pF
C1413	2113741A45	CAP, .01uF
C1414	2113741A45	CAP, .01uF
C1415	2113741M69	CAP, 0.1uF
C1416	NOT PLACED	
C1417	2111078B58	CAP, 430pF
C1418	NOT PLACED	
C1419	2113741A45	CAP, .01uF
C1420	2113741A45	CAP, .01uF
C1421	NOT PLACED	
C1422	NOT PLACED	
C1423	2113741A45	CAP, .01uF
C1424	2113741A45	CAP, .01uF
C1425	2113741W01	CAP, 1uF

Circuit Ref	Motorola Part No.	Description
C1426	2113741W01	CAP, 1uF
C1427	2111078B52	CAP, 240pF
C1428	2111078B52	CAP, 240pF
C1429	2111078B52	CAP, 240pF
C1430	2111078B52	CAP, 240pF
C1431	2113741A45	CAP, .01uF
C1432	2113741W01	CAP, 1uF
C1433	2113741W01	CAP, 1uF
C1434	2113741A45	CAP, .01uF
C1435	2113741W01	CAP, 1uF
C1436	2113741A45	CAP, .01uF
C1437	2111078B59	CAP, 470pF
C1438	2111078B59	CAP, 470pF
C1439	2111078B59	CAP, 470pF
C1440	2111078B59	CAP, 470pF
C1441	2111078B51	CAP, 220pF
C1442	2111078B44	CAP, 120pF
C1443	2111078B45	CAP, 130pF
C1444	2111078B45	CAP, 130pF
C1445	NOT PLACED	
C1446	2180060M28	CAP, 24pF
C1447	2111078B59	CAP, 470pF
C1448	2111078B59	CAP, 470pF
C1449	2180060M44	CAP, 110pF
C1450	2180060M05	CAP, 3pF
C1451	2180060M49	CAP, 180pF
C1452	2180060M28	CAP, 24pF
C1453	2180060M43	CAP, 100pF
C1454	2180060M31	CAP, 33pF
C1455	2180060M24	CAP, 16pF
C1456	2180060M36	CAP, 51pF
C1457	2113741A45	CAP, .01uF
C1458	2311049C01	CAPP, 10uF
C1459	2311049C01	CAPP, 10uF
C1460	2113743E20	CAP, 0.1uF
C1461	2113741A45	CAP, .01uF
C1462	2311049C01	CAPP, 10uF
C1463	2113828E01	CAP, 1uF
C1464	2113741A45	CAP, .01uF
C1465	2113828E01	CAP, 1uF
C1466	2113741A45	CAP, .01uF
C1467	2113740A53	CAP, 82pF
C1468	2113741A51	CAP, 68pF
C1469	2113741W01	CAP, 1uF
C1470	2113741W01	CAP, 1uF
C1471	2113741A45	CAP, .01uF
C1472	2113741M69	CAP, 0.1uF
C1473	2113741M69	CAP, 0.1uF
C1474	2113741A45	CAP, .01uF
C1475	2113741W01	CAP, 1uF
C1476	2113741M69	CAP, 0.1uF

Circuit Ref	Motorola Part No.	Description
C1477	2111078B54	CAP, 300pF
C1478	2111078B54	CAP, 300pF
C1479	2111078B51	CAP, 220pF
C1480	2111078B40	CAP, 82pF
C1481	2111078B40	CAP, 82pF
C1482	2113928E01	CAP, 1uF
C1484	2113741F33	CAP, 2200pF
C1485	2113741A45	CAP, .01uF
C1486	2113741M69	CAP, 0.1uF
C1491	NOT PLACED	
C1501	2113741F33	CAP, 2200pF
C1502	2113741F33	CAP, 2200pF
C1503	2113741F33	CAP, 2200pF
C1504	2113741F33	CAP, 2200pF
C1505	2113741F25	CAP, 1000pF
C1506	2113741F25	CAP, 1000pF
C1507	2113741F33	CAP, 2200pF
C1508	2113741F33	CAP, 2200pF
C1509	2311049A07	CAPP, 1uF
C1510	2113741F33	CAP, 2200pF
C1511	2113741F33	CAP, 2200pF
C1512	2113741F33	CAP, 2200pF
C1523	2113743E20	CAP, 0.1uF
C1525	2113743E20	CAP, 0.1uF
C1526	2113740F51	CAP, 100pF
C1527	2113741A45	CAP, .01uF
C1528	2113741A45	CAP, .01uF
C1529	2113741M69	CAP, 0.1uF
C1530	2113741A45	CAP, .01uF
C1531	NOT PLACED	
C1532	2113743T19	CAP, 10uF
C1601	2113743E20	CAP, 0.1uF
C1602	2113740F59	CAP, 220pF
C1603	2113743A23	CAP, 0.22uF
C1604	2113743A23	CAP, 0.22uF
C1605	2311049A57	CAPP, 10uF
C1606	2113740F59	CAP, 220pF
C1607	2113740F51	CAP, 100pF
C1608	2113743A23	CAP, 0.22uF
C1609	2113740F34	CAP, 20pF
C1610	2113741F41	CAP, 4700pF
C1611	2113743E20	CAP, 0.1uF
C1612	2113741F33	CAP, 2200pF
C1613	2113740F54	CAP, 130pF
C1614	2113741F24	CAP, 910pF
C1615	NOT PLACED	
C1616	2113740F40	CAP, 36pF
C1618	2113743A23	CAP, 0.22uF
C1619	2311049A57	CAP, 10uF
C1620	2113741F25	CAP, 1000pF
C1621	NOT PLACED	

Circuit Ref	Motorola Part No.	Description
C1622	2113743E20	CAP, 0.1uF
C1623	2113740F60	CAP, 240pF
C1624	2113741F37	CAP, 3300pF
C1625	2113740F29	CAP, 12pF
C1626	2113740F59	CAP, 220pF
C1627	2113743A23	CAP, 0.22uF
C1628	2113743E20	CAP, 0.1uF
C1629	2113740F39	CAP, 33pF
C1631	2311049A57	CAPP, 10uF
C1632	2113743E20	CAP, 0.1uF
C1633	2113743A23	CAP, 0.22uF
C1634	2113741A45	CAP, .01uF
CR1201	4802245J22	TT363
CR1202	4802233J09	IMN10
CR1302	4805649Q14	HN1V02H
CR1306	4880154K03	MMBD353
CR1310	4805649Q14	HN1V02H
CR1314	4880154K03	MMBD353
D0101	4880236E05	MMBD301
D0151	4813833C02	MMBD6100
D0179	4813833C02	MMBD6100
D0201	NOT PLACED	
D0621	4813833C02	MMBD6100
D0651	4813833C02	MMBD6100
D0660	4813833C02	MMBD6100
D0661	4813833C02	MMBD6100
D1001	4880154K03	MMBD353
D1101	4880154K03	MMBD353
D1401	4808379X02	MA4P1450
D1402	4808379X02	MA4P1450
D1501	4880236E05	MMBD301
D1502	4813833C02	MMBD6100
D1503	4813833C02	MMBD6100
D1601	4880154K03	MMBD353
E0271	2484657R01	FERRITE BEAD
E0272	2484657R01	FERRITE BEAD
E0631	2484657R01	FERRITE BEAD
E1401	2408380X02	FERRITE BEAD
E1403	2408380X02	FERRITE BEAD
F0401	6580542Z01	FUSE
FL1102	9180656U03	CFEC10_7MG1
FL1102	9180022M09	CRYSTAL FILTER, 10.7MHZ
FL1104	9180468V04	CFUCJ455F
FL1105	9180468V05	CFUCJ455E
FL1106	9180468V04	CFUCJ455F
FL1107	9180468V05	CFUCJ455E
J0401	0902636Y02	CONN, FLEX, 12-PIN
J0451	0902636Y01	CONN, FLEX, SIDE ENTRY
J0501	0986105B01	CONN, SMD, 20-PIN
J0551	0905505Y04	CONN, ZIF
J0552	0905505Y03	CONN, 18-PIN

Circuit Ref	Motorola Part No.	Description
J0601	0985105B01	DC POWER CONNECTOR
J1401	0986166B02	MINI-U ANTENNA CONN
L0481	NOT PLACED	
L0482	NOT PLACED	
L1001	2408382A11	IDCTR, 130nH
L1002	2408382C11	IDCTR, 130nH
L1003	2408382A11	IDCTR, 130nH
L1004	2408382C11	IDCTR, 130nH
L1005	2408382A11	IDCTR, 130nH
L1006	2408382A11	IDCTR, 130nH
L1007	2408382C11	IDCTR, 130nH
L1008	2408382A11	IDCTR, 130nH
L1009	2408382C11	IDCTR, 130nH
L1010	2408382A11	IDCTR, 130nH
L1011	2462587N68	IDCTR, 1uH
L1012	2462587N57	IDCTR, 220nH
L1013	2462587N59	IDCTR, 330nH
L1014	2462587N57	IDCTR, 220nH
L1101	2462587N33	IDCTR, 1.8uH
L1102	2408383X07	IDCTR, 3.3uH
L1103	2462587N33	IDCTR, 1.8uH
L1104	2480289M10	IDCTR, 6.8uH
L1105	2480289M10	IDCTR, 6.8uH
L1106	2462587N33	IDCTR, 1.8uH
L1107	2480289M09	IDCTR, 5.6uH
L1108	NOT PLACED	
L1109	NOT PLACED	
L1110	2480289M18	IDCTR, 33uH
L1111	2408383X07	IDCTR, 3.3uH
L1112	2483411T35	IDCTR, 6.8uH
L1201	2480289M17	IDCTR, 27uH
L1202	2462587Q20	IDCTR, 2.2uH
L1204	NOT PLACED	
L1205	2462587N59	IDCTR, 330nH
L1206	2480289M17	IDCTR, 27uH
L1207	NOT PLACED	
L1302	2408382D19	IDCTR, 491nH
L1303	2480289M15	IDCTR, 18uH
L1304	2462587N66	IDCTR, 820nH
L1305	2480289M15	IDCTR, 18uH
L1306	2480289M15	IDCTR, 18uH
L1307	2480289M15	IDCTR, 18uH
L1309	2480289M15	IDCTR, 18uH
L1310	2462587N60	IDCTR, 390nH
L1311	2480289M15	IDCTR, 18uH
L1313	2408382D19	IDCTR, 491nH
L1314	2480289M17	IDCTR, 27uH
L1315	2462587N66	IDCTR, 820uH
L1316	2480289M17	IDCTR, 18uH
L1317	2480289M17	IDCTR, 18uH
L1318	2480289M17	IDCTR, 18uH

Circuit Ref	Motorola Part No.	Description
L1321	2462587N58	IDCTR, 270nH
L1322	2480289M17	IDCTR, 18uH
L1324	2480289M17	IDCTR, 18uH
L1401	NOT PLACED	
L1402	2462587U09	IDCTR, 4.7uH
L1403	2462587U09	IDCTR, 4.7uH
L1404	2462587N56	IDCTR, 180nH
L1405	NOT PLACED	
L1406	2408381X36	IDCTR, 250.974nH
L1408	2408384A10	IDCTR, 120nH
L1413	2408381X17	IDCTR, 88.470nH
L1414	2408381X17	IDCTR, 88.470nH
L1415	2460591X01	IDCTR, 18nH
L1416	2460591X01	IDCTR, 18nH
L1417	2460591X01	IDCTR, 18nH
L1418	2408381X12	IDCTR, 66.389nH
L1419	2480289M17	IDCTR, 27uH
L1420	2408381X29	IDCTR, 172.89nH
L1421	2408381X25	IDCTR, 137.876nH
L1422	2408381X22	IDCTR, 115.581nH
L1423	2408381X16	IDCTR, 81.930nH
L1424	NOT PLACED	
L1425	2460591X01	IDCTR, 18nH
L1426	2460591X01	IDCTR, 18nH
L1601	2483411T45	IDCTR, 47uH
L1602	2483411T45	IDCTR, 47uH
L1603	2483411T73	IDCTR, 1uH
L1604	2483411T45	IDCTR, 47uH
L1605	2483411T41	IDCTR, 22uH
L1606	2462587T30	IDCTR, 1uH
L1607	2462587T30	IDCTR, 1uH
M1401	2686201B01	HEATSINK
Q0110	4880048M01	DTC144EKA
Q0151	4880048M01	DTC144EKA
Q0171	4880048M01	DTC144EKA
Q0173	4880052M01	RXT-A28
Q0177	4880048M01	DTC144EKA
Q0181	4880048M01	DTC144EKA
Q0183	4880048M01	DTC144EKA
Q0185	4880048M01	DTC144EKA
Q0271	4813824A10	MMBT3904
Q0641	4880048M01	DTC144EKA
Q0661	4805921T02	FMC2A
Q0662	4813824A10	MMBT3904
Q0663	4880048M01	DTC144EKA
Q0681	4880052M01	RXT-A28
Q1001	4880173R01	MMBR951
Q1002	4813824A17	MMBT3906
Q1003	4813824A17	MMBT3906
Q1101	4813827A07	MMBR941
Q1102	4813823A05	MMBFU310L

Circuit Ref	Motorola Part No.	Description	Circuit Ref	Motorola Part No.	Description	Circuit Ref	Motorola Part No.	Description	Circuit Ref	Motorola Part No.	Description
Q1103	4813823A05	MMBFU310L	R0170	0662057A73	RES, 10K	R0269	0662057A41	RES, 470	R1002	0662057A01	RES, 15
Q1104	4813823A05	MMBFU310L	R0171	0662057A65	RES, 4.7K	R0273	0662057A82	RES, 24K	R1003	0662057A41	RES, 470
Q1105	4880048M01	DTC144EKA	R0172	0662057A73	RES, 10K	R0274	NOT PLACED		R1004	0662057A59	RES, 2.7K
Q1106	4813827A07	MMBR941	R0173	0662057A65	RES, 4.7K	R0275	0662057A73	RES, 10K	R1005	0662057A31	RES, 180
Q1201	4813824A17	MMBT3906	R0174	0662057A73	RES, 10K	R0276	0662057A77	RES, 15K	R1006	0662057A73	RES, 10K
Q1202	4880173R01	MMBR951	R0175	0662057A73	RES, 10K	R0401	0662057A33	RES, 220	R1007	0662057A71	RES, 8.2K
Q1303	4884235R02	MMBFU310	R0176	0662057A84	RES, 30K	R0407	0662057M26	RES, 10	R1008	0662057A65	RES, 4.7K
Q1304	4880173R01	MMBR951	R0177	0662057A65	RES, 4.7K	R0408	0662057A25	RES, 100	R1009	NOT PLACED	
Q1305	4880173R01	MMBR951	R0178	0662057A89	RES, 47K	R0409	0662057M26	RES, 10	R1010	NOT PLACED	
Q1306	4884235R02	MMBFU310	R0179	0662057A89	RES, 47K	R0412	0662057B47	RES, 0	R1011	NOT PLACED	
Q1307	4880173R01	MMBR951	R0181	0662057A65	RES, 4.7K	R0441	0662057B47	RES, 0	R1101	0662057A18	RES, 51
Q1308	4880173R01	MMBR951	R0182	0662057A89	RES, 47K	R0442	0662057A49	RES, 1K	R1102	0662057A78	RES, 16K
Q1401	4886212B01	MRF1518	R0183	0662057A65	RES, 4.7K	R0467	0662057M26	RES, 10	R1103	0662057A39	RES, 390
Q1402	4886136B01	MRF1550	R0184	0662057A89	RES, 47K	R0468	0662057A97	RES, 100K	R1104	0662057A71	RES, 8.2K
Q1403	4886136B01	MRF1550	R0185	0662057A65	RES, 4.7K	R0481	0662057B47	RES, 0	R1106	0662057A25	RES, 100
Q1404	NOT PLACED		R0186	0662057A89	RES, 47K	R0482	0662057B47	RES, 0	R1107	0662057A68	RES, 6.2K
Q1501	4880141L03	BCW68G	R0201	0662057A25	RES, 100	R0510	0662057A65	RES, 4.7K	R1108	0662057A61	RES, 3.3K
Q1502	4813824A10	MMBT3904	R0202	0662057A43	RES, 560	R0511	0662057A97	RES, 100K	R1109	0662057A37	RES, 330
Q1503	4813824A10	MMBT3904	R0203	0662057A25	RES, 100	R0512	0662057A77	RES, 15K	R1110	0662057A25	RES, 100
Q1504	4813824A10	MMBT3904	R0204	0662057A43	RES, 560	R0525	0662057A97	RES, 100K	R1111	0662057A17	RES, 47
Q1505	4813824A17	MMBT3906	R0205	0662057A73	RES, 10K	R0529	0662057A89	RES, 47K	R1113	0662057A64	RES, 4.3K
Q1506	4813824A10	MMBT3904	R0206	0662057A73	RES, 10K	R0530	0662057A81	RES, 22K	R1114	0662057A64	RES, 4.3K
Q1601	4813824A17	MMBT3906	R0207	0662057A57	RES, 2.2K	R0531	0662057A43	RES, 560	R1115	0662057A75	RES, 12K
Q1602	4880048M01	DTC144EKA	R0208	0662057A57	RES, 2.2K	R0533	0662057B47	RES, 0	R1116	NOT PLACED	
Q1603	4813824A10	MMBT3904	R0211	0660076E70	RES, 7.5K	R0535	0662057A49	RES, 1K	R1117	0662057A37	RES, 330
Q1604	4813824A10	MMBT3904	R0212	0660076E70	RES, 7.5K	R0537	0662057A33	RES, 220	R1118	0662057A56	RES, 2K
Q1605	4813824A10	MMBT3904	R0220	NOT PLACED		R0538	0662057A33	RES, 220	R1119	0662057A83	RES, 27K
Q1606	4813824A17	MMBT3906	R0221	0662057A82	RES, 24K	R0539	0662057A65	RES, 4.7K	R1120	0662057A18	RES, 51
Q1607	4813824A10	MMBT3904	R0222	0662057A82	RES, 24K	R0541	0662057A83	RES, 27K	R1121	0662057A71	RES, 8.2K
Q1609	4813824A17	MMBT3906	R0223	0662057A84	RES, 30K	R0542	NOT PLACED		R1122	0662057A73	RES, 10K
Q1610	4805585Q17	NE25139	R0224	0662057A71	RES, 8.2K	R0543	0662057A97	RES, 100K	R1123	0662057A51	RES, 1.2K
R0101	0662057A73	RES, 10K	R0225	NOT PLACED		R0555	0662057A25	RES, 100	R1124	NOT PLACED	
R0102	0662057A65	RES, 4.7K	R0226	NOT PLACED		R0556	0662057A25	RES, 100	R1125	NOT PLACED	
R0102	0662057A01	RES, 10	R0227	NOT PLACED		R0591	0662057A82	RES, 24K	R1126	NOT PLACED	
R0104	0662057A73	RES, 10K	R0228	0662057B47	RES, 0	R0592	0662057A01	RES, 10	R1127	NOT PLACED	
R0105	0662057A97	RES, 100K	R0229	0662057A01	RES, 10	R0593	0662057A97	RES, 100K	R1128	0662057A73	RES, 10K
R0107	NOT PLACED		R0241	0662057A89	RES, 47K	R0611	0662057A91	RES, 56K	R1129	0662057A73	RES, 10K
R0108	0662057A57	RES, 2.2K	R0242	0662057B47	RES, 0	R0612	0662057A65	RES, 4.7K	R1130	0662057A73	RES, 10K
R0110	NOT PLACED		R0251	0662057A89	RES, 47K	R0621	0662057A82	RES, 24K	R1131	0662057A77	RES, 15K
R0111	0662057B47	RES, 0	R0252	0662057A91	RES, 56K	R0641	0662057A73	RES, 10K	R1132	0662057A58	RES, 2.4K
R0112	NOT PLACED		R0253	0662057A97	RES, 100K	R0642	0660076E70	RES, 7.5K	R1133	0662057A61	RES, 3.3K
R0113	0662057A73	RES, 10K	R0254	0662057A73	RES, 10K	R0643	0660076E51	RES, 1.2K	R1134	0662057A05	RES, 15
R0114	0662057A73	RES, 10K	R0255	0662057A73	RES, 10K	R0651	0662057A01	RES, 10	R1135	0662057A20	RES, 62
R0115	0662057A73	RES, 10K	R0256	0662057A97	RES, 100K	R0652	0662057A01	RES, 10	R1136	0662057A45	RES, 680
R0116	NOT PLACED		R0257	0662057A57	RES, 2.2K	R0661	0662057A49	RES, 1K	R1137	0662057A75	RES, 12K
R0117	0662057A63	RES, 3.9K	R0261	0662057A73	RES, 10K	R0662	0662057B02	RES, 150K	R1138	0662057A01	RES, 10
R0121	0662057A97	RES, 100K	R0262	0662057B08	RES, 270K	R0671	0662057A84	RES, 30K	R1139	0611077A12	RES, 2.7
R0131	0662057B46	RES, 10MEG	R0265	0662057A82	RES, 24K	R0672	0662057A73	RES, 10K	R1201	0660257B47	RES, 0
R0132	0662057B10	RES, 330K	R0266	NOT PLACED		R0681	0662057A79	RES, 18K	R1202	NOT PLACED	
R0151	0662057A82	RES, 24K	R0267	0662057A89	RES, 47K	R0682	0662057A93	RES, 68K	R1203	0662057B02	RES, 150K
R0152	0662057A82	RES, 24K	R0268	0662057A73	RES, 10K	R1001	0662057A05	RES, 15	R1204	0662057B47	RES, 0

Circuit Ref	Motorola Part No.	Description
R1205	0662057A45	RES, 680
R1206	0662057A41	RES, 470
R1207	NOT PLACED	
R1208	0662057A18	RES, 51
R1209	0662057A61	RES, 3.3K
R1210	0662057A33	RES, 220
R1211	0662057B14	RES, 470K
R1212	0662057A25	RES, 100
R1213	0662057A45	RES, 680
R1214	0662057A54	RES, 1.6K
R1215	0662057A21	RES, 68
R1216	0662057A18	RES, 51
R1217	0662057A25	RES, 100
R1218	0662057A17	RES, 47
R1219	0662057A17	RES, 47
R1220	0662057B47	RES, 47
R1221	0662057A17	RES, 47
R1222	NOT PLACED	
R1306	0662057B47	RES, 0
R1307	0662057A19	RES, 56
R1308	0662057A19	RES, 56
R1309	0662057A41	RES, 470
R1311	0662057A73	RES, 10K
R1312	0662057A51	RES, 1.2K
R1313	0662057A51	RES, 1.2K
R1314	0662057A37	RES, 330
R1315	0662057A61	RES, 3.3K
R1316	0662057A45	RES, 680
R1317	0662057A09	RES, 22
R1318	0662057A41	RES, 470
R1319	0662057A01	RES, 10
R1320	0662057A41	RES, 470
R1325	0662057B47	RES, 0
R1326	0662057A19	RES, 56
R1327	0662057A19	RES, 56
R1328	0662057A41	RES, 470
R1330	0662057A73	RES, 10K
R1331	0662057A51	RES, 1.2K
R1332	0662057A51	RES, 1.2K
R1333	0662057A37	RES, 330
R1334	0662057A61	RES, 3.3K
R1335	0662057A47	RES, 820
R1336	0662057A09	RES, 22
R1337	0662057A22	RES, 75
R1338	0662057A27	RES, 120
R1339	0662057A22	RES, 75
R1340	0662057A49	RES, 1K
R1341	0662057A25	RES, 100
R1342	0662057A25	RES, 100
R1343	0662057C55	RES, 150
R1344	0662057A49	RES, 1K

Circuit Ref	Motorola Part No.	Description
R1345	0662057A25	RES, 100
R1346	0662057A25	RES, 100
R1347	0662057C55	RES, 150
R1376	0662057A65	RES, 4.7K
R1402	0611079A64	RES, 390
R1404	0680194M18	RES, 51
R1405	0680194M18	RES, 51
R1406	0662057A73	RES, 10K
R1407	0662057A73	RES, 10K
R1409	0682089V01	RES, .01
R1410	0683962T52	RES, 130
R1411	0662057C99	RES, 10K
R1412	NOT PLACED	
R1413	0680194M01	RES, 10
R1414	0680194M01	RES, 10
R1415	NOT PLACED	
R1416	0680194M01	RES, 10
R1417	0680194M01	RES, 10
R1418	0680194M01	RES, 10
R1419	0680194M01	RES, 10
R1420	0680194M01	RES, 10
R1421	0680194M01	RES, 10
R1422	0680194M01	RES, 10
R1423	0680194M01	RES, 10
R1424	0662057D10	RES, 27K
R1425	0662057D10	RES, 27K
R1440	0662057A25	RES, 100
R1441	NOT PLACED	
R1442	0662057A25	RES, 100K
R1443	0662057A49	RES, 1K
R1444	0662057A33	RES, 220
R1445	0662057A68	RES, 6.2K
R1446	NOT PLACED	
R1447	0662057B47	RES, 0
R1448	NOT PLACED	
R1449	0611079A64	RES, 390
R1450	0683962T71	RES, 820
R1451	0662057K31	RES, 180
R1453	0662057K31	RES, 180
R1454	0662057K31	RES, 180
R1455	0662057K31	RES, 180
R1457	0662057K01	RES, 10
R1458	0611079A64	RES, 390
R1459	0611079A64	RES, 390
R1460	0680106R01	RES, 0.1
R1463	0662057A75	RES, 12K
R1464	0662057A61	RES, 3.3K
R1465	0662057A61	RES, 3.3K
R1466	NOT PLACED	
R1467	NOT PLACED	
R1468	NOT PLACED	

Circuit Ref	Motorola Part No.	Description
R1469	0662057C01	RES, 0
R1470	NOT PLACED	
R1471	NOT PLACED	
R1472	0662057A73	RES, 10K
R1473	0680194M01	RES, 10
R1474	0680194M01	RES, 10
R1475	0680194M01	RES, 10
R1476	0680194M01	RES, 10
R1477	0662057A61	RES, 3.3K
R1478	0662057A73	RES, 10K
R1479	0662057A61	RES, 3.3K
R1480	0662057D10	RES, 27K
R1481	0662057A90	RES, 51K
R1482	0662057B47	RES, 0
R1483	0662057A34	RES, 240
R1484	0662057A49	RES, 1K
R1501	0662057A45	RES, 680
R1502	0662057C67	RES, 470
R1503	0662057A61	RES, 3.3K
R1504	0662057A73	RES, 10K
R1505	0662057A69	RES, 6.8K
R1506	0662057A87	RES, 39K
R1507	0662057A49	RES, 1K
R1508	0662057R19	RES, 100
R1509	0662057P95	RES, 100K
R1510	NOT PLACED	
R1511	0662057P95	RES, 100K
R1512	NOT PLACED	
R1513	0662057C76	RES, 1.1K
R1514	0662057A97	RES, 100K
R1515	0662057A49	RES, 1K
R1516	0662057C71	RES, 680
R1517	0662057C71	RES, 680
R1518	0662057A61	RES, 3.3K
R1519	0662057C71	RES, 680
R1522	0662057A73	RES, 10K
R1523	NOT PLACED	
R1524	0662057C71	RES, 680
R1525	NOT PLACED	
R1526	0662057A97	RES, 100K
R1527	0662057A97	RES, 100K
R1528	0662057A80	RES, 20K
R1532	0662057A95	RES, 82K
R1533	0662057A73	RES, 10K
R1535	0662057C01	RES, 0
R1537	0662057A90	RES, 51K
R1541	0662057A68	RES, 6.2K
R1542	0662057A49	RES, 1K
R1543	0662057A49	RES, 1K
R1544	0662057A90	RES, 51K
R1545	0662057A65	RES, 4.7K

Circuit Ref	Motorola Part No.	Description
R1601	0662057A73	RES, 10K
R1602	0662057A65	RES, 4.7K
R1604	0662057A49	RES, 1K
R1605	0662057B10	RES, 330K
R1606	0662057B02	RES, 150K
R1607	0662057B19	RES, 750K
R1608	0662057A57	RES, 2.2K
R1609	0662057A73	RES, 10K
R1610	0662057A82	RES, 24K
R1611	0662057A49	RES, 1K
R1612	0662057A25	RES, 100
R1613	0662057A59	RES, 2.7K
R1614	0662057A49	RES, 1K
R1615	0662057A49	RES, 1K
R1616	0662057A33	RES, 220
R1617	0662057A57	RES, 2.2K
R1620	0662057A51	RES, 1.2K
R1621	0662057A68	RES, 6.2K
R1622	0662057A49	RES, 1K
R1626	0662057A18	RES, 51
R1627	0662057A73	RES, 10K
R1628	0662057A55	RES, 1.8K
R1629	0662057A67	RES, 5.6K
R1630	0662057A53	RES, 1.5K
R1631	0662057A18	RES, 51
R1632	0662057A82	RES, 24K
R1633	NOT PLACED	
R1635	0662057B47	RES, 0
R1636	0662057A42	RES, 510
R1637	0662057A59	RES, 2.7K
R1638	0662057A55	RES, 1.8K
SH1201	NOT PLACED	
SH1202	NOT PLACED	
SH1301	NOT PLACED	
SH1302	2680473U01	VCO SHIELD
U0101	5102226J56	MC68HC11FLO
U0111	5102463J64	EEPROM
U0121	5186137B01	FLASH ROM
U0122	5185963A21	SRAM
U0141	5113805A30	REMUX
U0211	5183222M49	MC3403
U0221	5185130C53	ASFIC COMPANDER
U0251	5113806A20	MUX/DEMUX
U0271	5109699X01	AUDIO PA
U0611	5183308X01	LM2941
U0641	5183308X01	LM2941
U0651	5113816A07	MC78M05
U0652	5113815A02	MC33064
U0653	NOT PLACED	
U1001	4802245J50	UMC5N
U1051	5108278X01	MIXER

Circuit Ref	Motorola Part No.	Description
U1101	5113805A86	MC74HC4066
U1102	5113805A86	MC74HC4066
U1103	5186144B01	SA616
U1201	5185963A27	FRACN SYNTHESIZER
U1250	5185963A33	LP2951
U1377	4802245J50	UMC5N
U1378	4802245J50	UMC5N
U1401	5185130C65	LDMOS PREDRIVER IC
U1402	5113818A03	MC33072
U1501	5185963A15	LM50
U1502	5109731C21	LM6142BIM
U1503	5185765B28	POWER CONTROL IC
U1601	5180929W01	MC1350
VR0151	4813830A15	MMBZ5232B
VR0501	4805656W09	MMQA20VT1
VR0503	4805656W09	MMQA20VT1
VR0504	4813830A40	MMBZ5257B
VR0505	4805656W09	MMQA20VT1
VR0509	4813830A40	MMBZ5257B
VR0510	4813830A40	MMBZ5257B
VR0537	4813830A15	MMBZ5232B
VR0541	4813830A27	MMBZ5244B
VR0601	4813832C77	TRANSIENT SUPPRESSOR
VR0621	4813830A15	MMBZ5232B
VR0671	NOT PLACED	
Y0131	4880113R19	CRYSTAL, 38.4KHZ
Y1101	4880908W08	CRYSTAL, 10.245 MHZ
Y1102	9186145B02	DISCRIMINATOR, 455KHZ
Y1201	4880114R04	CRYSTAL, 16.8MHZ
Y1202	NOT PLACED	

Low Band Range 1 PCB 8486206B08 Parts List

Circuit Ref	Motorola Part No.	Description
C0101	2113740F51	CAP, 100pF
C0102	Not Placed	
C0103	Not Placed	
C0104	Not Placed	
C0105	Not Placed	
C0106	Not Placed	
C0107	2113741F25	CAP, 1000pF
C0108	Not Placed	
C0111	Not Placed	
C0112	2113743E20	CAP, 0.1uF
C0121	2113743E20	CAP, 0.1uF
C0122	2113743E20	CAP, 0.1uF
C0123	Not Placed	
C0131	2113740F35	CAP, 22pF
C0132	2113740F35	CAP, 22pF
C0141	2113743E20	CAP, 0.1uF
C0151	2113741F49	CAP, .01uF
C0201	2311049A57	CAPP, 10uF
C0202	2311049A57	CAPP, 10uF
C0203	Not Placed	
C0204	2113743E20	CAP, 0.1uF
C0205	Not Placed	
C0211	Not Placed	
C0212	2311049A57	CAPP, 10uF
C0221	2113743E20	CAP, 0.1uF
C0222	2113743E20	CAP, 0.1uF
C0223	2113743E20	CAP, 0.1uF
C0224	2113740F51	CAP, 100pF
C0225	2113743E20	CAP, 0.1uF
C0226	2113743E20	CAP, 0.1uF
C0227	Not Placed	
C0228	2311049A56	CAPP, 4.7uF
C0231	2113743B29	CAP, 1uF
C0232	2113743E20	CAP, 0.1uF
C0233	Not Placed	
C0234	2113743E20	CAP, 0.1uF
C0235	2113743E07	CAP, .022uF
C0236	2113743E10	CAP, .033uF
C0237	Not Placed	
C0241	2113743E20	CAP, 0.1uF
C0242	Not Placed	
C0243	2113740F51	CAP, 100pF
C0244	2113743E20	CAP, 0.1uF
C0245	2113743E20	CAP, 0.1uF
C0246	2113741F49	CAP, .01uF
C0251	2113743E20	CAP, 0.1uF
C0252	2311049A07	CAPP, 1uF
C0253	Not Placed	
C0254	2113743E20	CAP, 0.1uF

Circuit Ref	Motorola Part No.	Description
C0255	2113743E20	CAP, 0.1uF
C0256	2113740F51	CAP, 100pF
C0261	2113743E20	CAP, 0.1uF
C0262	2113740F49	CAP, 82pF
C0265	2113743E20	CAP, 0.1uF
C0266	Not Placed	
C0267	2113741F49	CAP, .01uF
C0271	2113741F49	CAP, .01uF
C0272	2113743E20	CAP, 0.1uF
C0273	2113741F37	CAP, 3300pF
C0274	Not Placed	
C0275	2311049A99	CAPP, 47uF
C0276	2113741F25	CAP, 1000pF
C0277	2113741F25	CAP, 1000pF
C0290	2311049C01	CAPP, 10uF
C0291	2311049C01	CAPP, 10uF
C0292	2311049C01	CAPP, 10uF
C0293	2311049C01	CAPP, 10uF
C0301	Not Placed	
C0302	Not Placed	
C0303	Not Placed	
C0304	Not Placed	
C0305	Not Placed	
C0324	Not Placed	
C0325	Not Placed	
C0331	Not Placed	
C0341	Not Placed	
C0342	Not Placed	
C0343	Not Placed	
C0344	Not Placed	
C0351	Not Placed	
C0352	Not Placed	
C0353	Not Placed	
C0354	Not Placed	
C0421	2113743N48	CAP, 82pF
C0422	2113741F17	CAP, 470pF
C0423	2113741F17	CAP, 470pF
C0426	2113743L09	CAP, 470pF
C0427	2113743L09	CAP, 470pF
C0428	2113743N48	CAP, 82pF
C0429	2113743L09	CAP, 470pF
C0430	2113741F17	CAP, 470pF
C0431	2113741F17	CAP, 470pF
C0441	2113743L09	CAP, 470pF
C0442	2113743L09	CAP, 470pF
C0443	Not Placed	
C0445	2113743L09	CAP, 470pF
C0446	2113743L09	CAP, 470pF
C0447	2113743L09	CAP, 470pF
C0448	2113743L09	CAP, 470pF
C0449	2113743L09	CAP, 470pF

Circuit Ref	Motorola Part No.	Description
C0470	2113743L09	CAP, 470pF
C0471	2113743N48	CAP, 82pF
C0472	2113743N48	CAP, 82pF
C0473	2113743N48	CAP, 82pF
C0474	2113743L09	CAP, 470pF
C0476	2113743L09	CAP, 470pF
C0477	2113743L09	CAP, 470pF
C0478	2113743L09	CAP, 470pF
C0482	2113743L09	CAP, 470pF
C0483	2113743L09	CAP, 470pF
C0484	2113741F17	CAP, 470pF
C0485	2113743L09	CAP, 470pF
C0486	2113743L09	CAP, 470pF
C0487	2113743L09	CAP, 470pF
C0488	2113743L09	CAP, 470pF
C0490	2113743L09	CAP, 470pF
C0491	2113743L09	CAP, 470pF
C0492	2113743L09	CAP, 470pF
C0493	2113743L09	CAP, 470pF
C0494	2113743L09	CAP, 470pF
C0495	2113743L09	CAP, 470pF
C0496	2113743L09	CAP, 470pF
C0497	2113743L09	CAP, 470pF
C0499	2113743L09	CAP, 470pF
C0501	2113741F49	CAP, .01uF
C0502	2113741F17	CAP, 470pF
C0503	2113741F17	CAP, 470pF
C0504	2113741F17	CAP, 470pF
C0505	2113741F17	CAP, 470pF
C0506	2113741F17	CAP, 470pF
C0508	2113741F17	CAP, 470pF
C0509	2113741F17	CAP, 470pF
C0510	2113741F17	CAP, 470pF
C0511	2113741F17	CAP, 470pF
C0512	2113741F17	CAP, 470pF
C0513	2113741F17	CAP, 470pF
C0514	2113741F17	CAP, 470pF
C0515	2113741F17	CAP, 470pF
C0516	2113741F49	CAP, .01uF
C0517	2113743N48	CAP, 82pF
C0518	2113741F17	CAP, 470pF
C0541	2311049A05	CAPP, 0.47uF
C0542	2311049A99	CAPP, 47uF
C0554	Not Placed	
C0558	Not Placed	
C0559	Not Placed	
C0560	2113741F25	CAP, 1000pF
C0575	Not Placed	
C0576	Not Placed	
C0591	2113743E20	CAP, 0.1uF
C0592	2113743E20	CAP, 0.1uF

Circuit Ref	Motorola Part No.	Description
C0593	2113741B69	CAP, 0.1uF
C0601	2113741F17	CAP, 470pF
C0603	2380090M24	CAPP, 10uF
C0611	2311049C06	CAPP, 22uF
C0612	2113743E20	CAP, 0.1uF
C0621	Not Placed	
C0622	2311049A99	CAPP, 47uF
C0641	2113741F17	CAP, 470pF
C0644	2311049A97	CAPP, 33uF
C0645	2113743E20	CAP, 0.1uF
C0651	Not Placed	
C0652	2311049A97	CAPP, 33uF
C0654	2311049A57	CAPP, 10uF
C0655	2113743E20	CAP, 0.1uF
C0661	2311049C05	CAPP, 47uF
C0662	2113741F49	CAP, .01uF
C0663	2113743E20	CAP, 0.1uF
C0671	2113743E20	CAP, 0.1uF
C0681	2113743E20	CAP, 0.1uF
C1001	2113740F59	CAP, 220pF
C1002	2113743E20	CAP, 0.1uF
C1003	2113740F59	CAP, 220pF
C1004	2113740F56	CAP, 160pF
C1006	2113740F50	CAP, 91pF
C1007	2113740F62	CAP, 300pF
C1008	2113743E20	CAP, 0.1uF
C1009	2113740F61	CAP, 270pF
C1010	2113740F49	CAP, 82pF
C1011	2113740F57	CAP, 180pF
C1012	2113740F59	CAP, 220pF
C1013	2113743E20	CAP, 0.1uF
C1014	2113740F59	CAP, 220pF
C1015	2113741F49	CAP, .01uF
C1016	2113740F58	CAP, 200pF
C1017	2113741F49	CAP, .01uF
C1019	2113740F61	CAP, 270pF
C1020	2113740F64	CAP, 360pF
C1021	2113740F64	CAP, 360pF
C1022	2113740F62	CAP, 300pF
C1023	2113740F64	CAP, 360pF
C1024	2113740F63	CAP, 330pF
C1025	2113740F61	CAP, 270pF
C1026	2113741F49	CAP, .01uF
C1027	2113740F57	CAP, 180pF
C1028	2113741F49	CAP, .01uF
C1029	2113741F49	CAP, .01uF
C1030	2113743E20	CAP, 0.1uF
C1031	2113743E20	CAP, 0.1uF
C1032	2113740F51	CAP, 100pF
C1033	2113740F53	CAP, 120pF
C1034	2113740F54	CAP, 130pF

Circuit Ref	Motorola Part No.	Description
C1035	2113740F50	CAP, 91pF
C1036	2113743E20	CAP, 0.1uF
C1037	2113740F62	CAP, 300pF
C1038	2113740F65	CAP, 390pF
C1039	2113740F65	CAP, 390pF
C1040	2113740F62	CAP, 300pF
C1041	2113740F59	CAP, 220pF
C1042	2113740F59	CAP, 220pF
C1101	2113740F53	CAP, 120pF
C1102	2113740F50	CAP, 91pF
C1103	2113740F58	CAP, 200pF
C1104	2113743E20	CAP, 0.1uF
C1105	2113743E20	CAP, 0.1uF
C1106	2113743E20	CAP, 0.1uF
C1107	2113740F49	CAP, 82pF
C1108	2113743E20	CAP, 0.1uF
C1109	2113740F40	CAP, 36pF
C1110	Not Placed	
C1111	2113740L03	CAP, 2.4pF
C1112	2113740F40	CAP, 36pF
C1113	2113743E20	CAP, 0.1uF
C1114	2113743E20	CAP, 0.1uF
C1115	2113740F53	CAP, 120pF
C1116	2113740F41	CAP, 39pF
C1119	2113743E20	CAP, 0.1uF
C1120	Not Placed	
C1121	Not Placed	
C1122	Not Placed	
C1123	2113740F39	CAP, 33pF
C1124	2113743E20	CAP, 0.1uF
C1125	2113743E11	CAP, .039uF
C1126	2113743E20	CAP, 0.1uF
C1127	2311049A57	CAPP, 10uF
C1128	2113743E20	CAP, 0.1uF
C1129	2113740F35	CAP, 22pF
C1130	2113740F47	CAP, 68pF
C1131	Not Placed	
C1133	2113743E20	CAP, 0.1uF
C1134	2113743E20	CAP, 0.1uF
C1135	2113743E20	CAP, 0.1uF
C1136	2113743E20	CAP, 0.1uF
C1137	2113740F53	CAP, 120pF
C1138	2113743E20	CAP, 0.1uF
C1139	2113741F49	CAP, .01uF
C1140	2113741F49	CAP, .01uF
C1141	2113743E20	CAP, 0.1uF
C1142	2113743E20	CAP, 0.1uF
C1143	2113743E20	CAP, 0.1uF
C1144	2113743E20	CAP, 0.1uF
C1145	2113741F41	CAP, 4700pF
C1146	2113740F49	CAP, 82pF

Circuit Ref	Motorola Part No.	Description
C1147	2113740F65	CAP, 390pF
C1148	2113743E20	CAP, 0.1uF
C1149	2113740F53	CAP, 120pF
C1150	2113740F54	CAP, 130pF
C1151	Not Placed	
C1152	Not Placed	
C1153	Not Placed	
C1201	2113743E20	CAP, 0.1uF
C1202	2311049J11	CAPP, 4.7uF
C1203	2113741F49	CAP, .01uF
C1204	2113740F59	CAP, 220pF
C1205	Not Placed	
C1206	2113740L37	CAP, 62pF
C1207	2113740F07	CAP, 1.5pF
C1208	2113740A82	CAP, 1500pF
C1209	2311049A57	CAPP, 10uF
C1210	2113743E20	CAP, 0.1uF
C1211	2113741F49	CAP, .01uF
C1212	2311049A07	CAPP, 1uF
C1213	2113743A23	CAP, 0.22uF
C1214	2113743E10	CAP, .033uF
C1215	2113740C37	CAP, 6800pF
C1216	2311049J11	CAPP, 4.7uF
C1217	2113741F49	CAP, .01uF
C1218	2113743E20	CAP, 0.1uF
C1219	2311049J11	CAPP, 4.7uF
C1220	2311049J11	CAPP, 4.7uF
C1221	Not Placed	
C1222	2113740F37	CAP, 27pF
C1223	2113741F49	CAP, .01uF
C1224	2113740F51	CAP, 100pF
C1225	2113741F49	CAP, .01uF
C1226	Not Placed	
C1227	2113741F49	CAP, .01uF
C1228	Not Placed	
C1229	2113741F49	CAP, .01uF
C1230	2113741F49	CAP, .01uF
C1231	2113741F49	CAP, .01uF
C1232	Not Placed	
C1233	Not Placed	
C1234	Not Placed	
C1250	2311049A09	CAPP, 2.2uF
C1251	2113743E20	CAP, 0.1uF
C1252	2113743E05	CAP, .018uF
C1253	2311049J11	CAPP, 4.7uF
C1254	2113741F49	CAP, .01uF
C1304	Not Placed	
C1305	Not Placed	
C1306	2113740L23	CAP, 16pF
C1307	2113740L34	CAP, 47pF
C1308	2113740F19	CAP, 4.7pF

Circuit Ref	Motorola Part No.	Description
C1309	Not Placed	
C1311	2113741F49	CAP, .01uF
C1312	2113741F49	CAP, .01uF
C1313	2113741F49	CAP, .01uF
C1314	2113740L35	CAP, 51pF
C1315	2113740L35	CAP, 51pF
C1316	2113740F15	CAP, 3.3pF
C1317	2113743E20	CAP, 0.1uF
C1318	2113741F49	CAP, .01uF
C1319	2113741F49	CAP, .01uF
C1320	2113741F49	CAP, .01uF
C1321	2113740F17	CAP, 3.9pF
C1323	2113740L21	CAP, 13pF
C1325	2113741F49	CAP, .01uF
C1326	2113741F49	CAP, .01uF
C1333	2113740L36	CAP, 56pF
C1334	2113740L36	CAP, 56pF
C1335	2113740F19	CAP, 4.7pF
C1336	2113743E20	CAP, 0.1uF
C1337	2113741F49	CAP, .01uF
C1338	2113741F49	CAP, .01uF
C1339	2113741F49	CAP, .01uF
C1340	2113741F49	CAP, .01uF
C1341	2113740L36	CAP, 56pF
C1342	2113740L36	CAP, 56pF
C1343	2113740F15	CAP, 3.3pF
C1344	2113741F49	CAP, .01uF
C1345	2113743E20	CAP, 0.1uF
C1346	2113741F49	CAP, .01uF
C1347	2113741F49	CAP, .01uF
C1348	2113740F17	CAP, 3.9pF
C1349	2113743E20	CAP, 0.1uF
C1350	2113740F31	CAP, 15pF
C1351	2113741F49	CAP, .01uF
C1352	2113741F49	CAP, .01uF
C1354	Not Placed	
C1356	Not Placed	
C1360	Not Placed	
C1361	Not Placed	
C1362	Not Placed	
C1401	2113741A45	CAP, .01uF
C1402	2113741A45	CAP, .01uF
C1403	Not Placed	
C1404	2113741A45	CAP, .01uF
C1405	2113741A45	CAP, .01uF
C1406	Not Placed	
C1407	2113741A45	CAP, .01uF
C1408	Not Placed	
C1410	2113741M69	CAP, 0.1uF
C1413	2113741A45	CAP, .01uF
C1414	2113741A45	CAP, .01uF

Circuit Ref	Motorola Part No.	Description
C1415	2113741A45	CAP, .01uF
C1416	Not Placed	
C1417	2113740A79	CAP, 1000pF
C1418	2113741A45	CAP, .01uF
C1419	2113741A45	CAP, .01uF
C1420	2113741A45	CAP, .01uF
C1421	Not Placed	
C1422	Not Placed	
C1423	2113741A45	CAP, .01uF
C1424	2113741A45	CAP, .01uF
C1425	2113741W01	CAP, 1uF
C1426	2113741W01	CAP, 1uF
C1427	2111078B59	CAP, 470pF
C1428	2111078B59	CAP, 470pF
C1429	2111078B59	CAP, 470pF
C1430	2111078B59	CAP, 470pF
C1431	2113741A45	CAP, .01uF
C1432	2113741W01	CAP, 1uF
C1433	2113741W01	CAP, 1uF
C1434	2113741A45	CAP, .01uF
C1435	2113741W01	CAP, 1uF
C1436	2113741A45	CAP, .01uF
C1437	2111078B59	CAP, 470pF
C1438	2111078B59	CAP, 470pF
C1439	2111078B59	CAP, 470pF
C1440	2111078B59	CAP, 470pF
C1441	2111078B50	CAP, 200pF
C1442	2111078B39	CAP, 75pF
C1443	2111078B59	CAP, 470pF
C1444	2111078B59	CAP, 470pF
C1445	2113741A45	CAP, .01uF
C1446	2180060M41	CAP, 82pF
C1447	2111078B59	CAP, 470pF
C1448	2111078B59	CAP, 470pF
C1449	2180060M46	CAP, 130pF
C1450	Not Placed	
C1451	2180060M51	CAP, 220pF
C1452	2180060M37	CAP, 56pF
C1453	2180060M48	CAP, 160pF
C1454	2180060M37	CAP, 56pF
C1455	2180060M25	CAP, 18pF
C1456	2180060M43	CAP, 100pF
C1457	2113741A45	CAP, .01uF
C1458	2311049C01	CAPP, 10uF
C1459	2311049C01	CAPP, 10uF
C1460	2113743E20	CAP, 0.1uF
C1461	2113741A45	CAP, .01uF
C1462	2311049C01	CAPP, 10uF
C1463	2113928E01	CAP, 1uF
C1464	2113741A45	CAP, .01uF
C1465	2113928E01	CAP, 1uF

Circuit Ref	Motorola Part No.	Description
C1466	2113741A45	CAP, .01uF
C1467	2113740A53	CAP, 82pF
C1468	2113741A45	CAP, .01uF
C1469	2113741W01	CAP, 1uF
C1470	2113741W01	CAP, 1uF
C1471	2113741A45	CAP, .01uF
C1472	2113741M69	CAP, 0.1uF
C1473	2113741M69	CAP, 0.1uF
C1474	2113741A45	CAP, .01uF
C1475	2113741W01	CAP, 1uF
C1476	2113741A45	CAP, .01uF
C1477	2111078B59	CAP, 470pF
C1478	2111078B59	CAP, 470pF
C1479	2111078B49	CAP, 180pF
C1480	Not Placed	
C1481	2111078B58	CAP, 430pF
C1482	2113928E01	CAP, 1uF
C1484	2113741F33	CAP, 2200pF
C1485	2113741A45	CAP, .01uF
C1486	2180060M40	CAP, 75pF
C1491	Not Placed	
C1501	2113741F33	CAP, 2200pF
C1502	2113741F33	CAP, 2200pF
C1503	2113741F33	CAP, 2200pF
C1504	2113741F33	CAP, 2200pF
C1505	2113741F25	CAP, 1000pF
C1506	2113741F25	CAP, 1000pF
C1507	2113741F33	CAP, 2200pF
C1508	2113741F33	CAP, 2200pF
C1509	2311049A07	CAPP, 1uF
C1510	2113741F33	CAP, 2200pF
C1511	2113741F33	CAP, 2200pF
C1512	2113741F33	CAP, 2200pF
C1525	2113743E20	CAP, 0.1uF
C1526	2113740F51	CAP, 100pF
C1527	2113741A45	CAP, .01uF
C1528	2113741A45	CAP, .01uF
C1529	2113741M69	CAP, 0.1uF
C1530	2113741A45	CAP, .01uF
C1531	Not Placed	
C1532	Not Placed	
C1601	2113743E20	CAP, 0.1uF
C1602	2113740F59	CAP, 220pF
C1603	2113743A23	CAP, 0.22uF
C1604	2113743A23	CAP, 0.22uF
C1605	2311049A57	CAPP, 10uF
C1606	2113740F59	CAP, 220pF
C1607	2113740F51	CAP, 100pF
C1608	2113743A23	CAP, 0.22uF
C1609	2113740F34	CAP, 20pF
C1610	2113741F41	CAP, 4700pF

Circuit Ref	Motorola Part No.	Description
C1611	2113743E20	CAP, 0.1uF
C1612	2113741F33	CAP, 2200pF
C1613	2113740F54	CAP, 130pF
C1614	2113741F24	CAP, 910pF
C1615	Not Placed	
C1616	2113740F40	CAP, 36pF
C1618	2113743A23	CAP, 0.22uF
C1619	2311049A57	CAPP, 10uF
C1620	2113741F25	CAP, 1000pF
C1621	Not Placed	
C1622	2113743E20	CAP, 0.1uF
C1623	2113740F60	CAP, 240pF
C1624	2113741F37	CAP, 3300pF
C1625	2113740F29	CAP, 12pF
C1626	2113740F59	CAP, 220pF
C1627	2113743A23	CAP, 0.22uF
C1628	2113743E20	CAP, 0.1uF
C1629	2113740F39	CAP, 33pF
C1631	2311049A57	CAPP, 10uF
C1632	2113743E20	CAP, 0.1uF
C1633	2113743A23	CAP, 0.22uF
C1634	2113741A45	CAP, .01uF
CR1201	4862824C03	1SV232
CR1202	4802233J09	IMN10
CR1302	4805649Q14	HN1V02H
CR1306	4880154K03	MMBD353
CR1310	4805649Q14	HN1V02H
CR1314	4880154K03	MMBD353
D0101	4813825A05	MMBD301
D0151	4813833C02	MMBD6100
D0179	4813833C02	MMBD6100
D0201	Not Placed	
D0301	Not Placed	
D0621	4813833C02	MMBD6100
D0651	4813833C02	MMBD6100
D0660	4813833C02	MMBD6100
D0661	4813833C02	MMBD6100
D1001	4880154K03	MMBD353
D1101	4880154K03	MMBD353
D1401	4808379X02	MA4P1450
D1402	4808379X02	MA4P1450
D1501	4813825A05	MMBD301
D1502	4813833C02	MMBD6100
D1503	4813833C02	MMBD6100
D1601	4880154K03	MMBD353
E0271	2484657R01	FERRITE BEAD
E0272	2484657R01	FERRITE BEAD
E0631	2484657R01	FERRITE BEAD
E1401	2408380X02	FERRITE BEAD
E1403	2408380X02	FERRITE BEAD
F0401	6580542Z01	FUSE

Circuit Ref	Motorola Part No.	Description
FL1101	9180656U03	CFEC10_7MG1
FL1102	9180022M09	CRYSTAL FILTER, 10.7 MHz
FL1104	9180468V04	CFUCJ455F
FL1105	9180468V05	CFUCJ455E
FL1106	9180469V04	CFWC455F
FL1107	9180469V05	CFWC455E
J0401	0902636Y02	CONN, 12-PIN, CONTROL HEAD
J0451	0902636Y01	CONN, 18-PIN, EXPANSION BOARD
J0501	0986105B01	CONN, 20-PIN, ACCESSORY
J0551	0905505Y04	CONN, 40-PIN, INTERNAL OPTION
J0552	0905505Y03	CONN, 18-PIN, RS232
J0601	0986165B01	DC POWER CONNECTOR
J1401	0986166B02	MINI-U ANTENNA CONNECTOR
L0481	Not Placed	
L0482	Not Placed	
L1001	2408382A11	IDCTR, 130nH
L1002	2408382C11	IDCTR, 130nH
L1003	2408382A11	IDCTR, 130nH
L1004	2408382C11	IDCTR, 130nH
L1005	2408382A11	IDCTR, 130nH
L1006	2408382A11	IDCTR, 130nH
L1007	2408382C11	IDCTR, 130nH
L1008	2408382A11	IDCTR, 130nH
L1009	2408382C11	IDCTR, 130nH
L1010	2408382A11	IDCTR, 130nH
L1011	2462587N68	IDCTR, 1uH
L1012	2462587N57	IDCTR, 220nH
L1013	2462587N59	IDCTR, 330nH
L1014	2462587N57	IDCTR, 220nH
L1101	2462587N33	IDCTR, 1.8uH
L1102	2408383X07	IDCTR, 3.3uH
L1103	2462587N33	IDCTR, 1.8uH
L1104	2480289M10	IDCTR, 6.8uH
L1105	2480289M10	IDCTR, 6.8uH
L1106	2462587N33	IDCTR, 1.8uH
L1107	2480289M09	IDCTR, 5.6uH
L1108	Not Placed	
L1109	Not Placed	
L1110	2480289M18	IDCTR, 33uH
L1111	2408383X07	IDCTR, 3.3uH
L1112	2483411T35	IDCTR, 6.8uH
L1201	2480289M17	IDCTR, 27uH
L1202	2462587Q20	IDCTR, 2.2uH
L1204	Not Placed	
L1205	2462587N64	IDCTR, 680nH
L1206	2480289M17	IDCTR, 27uH
L1207	Not Placed	

Circuit Ref	Motorola Part No.	Description
L1302	2408382D19	IDCTR, 491nH
L1303	2480289M17	IDCTR, 27uH
L1304	2462587N66	IDCTR, 820nH
L1305	2480289M17	IDCTR, 27uH
L1306	2480289M17	IDCTR, 27uH
L1307	2480289M17	IDCTR, 27uH
L1309	2480289M17	IDCTR, 27uH
L1310	2462587N60	IDCTR, 390nH
L1311	2480289M17	IDCTR, 27uH
L1313	2408382D19	IDCTR, 491nH
L1314	2480289M18	IDCTR, 33uH
L1315	2462587N69	IDCTR, 1.2uH
L1316	2480289M18	IDCTR, 33uH
L1317	2480289M18	IDCTR, 33uH
L1318	2480289M18	IDCTR, 33uH
L1321	2462587N58	IDCTR, 270nH
L1322	2480289M18	IDCTR, 33uH
L1324	2480289M18	IDCTR, 33uH
L1401	Not Placed	
L1402	2462587U09	IDCTR, 4.7uH
L1403	2462587U09	IDCTR, 4.7uH
L1404	2462587N56	IDCTR, 180nH
L1405	Not Placed	
L1406	2408381X36	IDCTR, 250.974nH
L1408	2408384A10	IDCTR, 120nH
L1413	2408381X17	IDCTR, 88.470nH
L1414	2408381X17	IDCTR, 88.470nH
L1415	2485873L04	IDCTR, 41nH
L1416	2485873L04	IDCTR, 41nH
L1417	2408381X14	IDCTR, 72.462nH
L1418	2408381X30	IDCTR, 184.518nH
L1419	2480289M17	IDCTR, 27uH
L1420	2408381X36	IDCTR, 250.974nH
L1421	2408381X33	IDCTR, 217.576nH
L1422	2408381X26	IDCTR, 139.750nH
L1423	2408381X23	IDCTR, 124.327nH
L1424	Not Placed	
L1425	2485873L04	IDCTR, 41nH
L1426	2485873L04	IDCTR, 41nH
L1601	2483411T45	IDCTR, 47uH
L1602	2483411T45	IDCTR, 47uH
L1603	2483411T73	IDCTR, 1uH
L1604	2483411T45	IDCTR, 47uH
L1605	2483411T41	IDCTR, 22uH
L1606	2462587T30	IDCTR, 1uH
L1607	2462587T30	IDCTR, 1uH
M1401	2686201B01	HEATSINK
Q0110	4880048M01	DTC144EKA
Q0151	4880048M01	DTC144EKA
Q0171	4880048M01	DTC144EKA
Q0173	4880052M01	RXT-A28

Circuit Ref	Motorola Part No.	Description
Q0177	4880048M01	DTC144EKA
Q0181	4880048M01	DTC144EKA
Q0183	4880048M01	DTC144EKA
Q0185	4880048M01	DTC144EKA
Q0271	4880214G02	MMBT3904
Q0641	4880048M01	DTC144EKA
Q0661	4805921T02	FMC2A
Q0662	4880214G02	MMBT3904
Q0663	4880048M01	DTC144EKA
Q0681	4880052M01	RXT-A28
Q1001	4880182D44	MMBR951
Q1002	4813824A17	MMBT3906
Q1003	4813824A17	MMBT3906
Q1101	4813827A07	MMBR941
Q1102	4813823A05	MMBFU310L
Q1103	4813823A05	MMBFU310L
Q1104	4813823A05	MMBFU310L
Q1105	4880048M01	DTC144EKA
Q1106	4813827A07	MMBR941
Q1107	4880214G02	MMBT3904
Q1201	4813824A17	MMBT3906
Q1202	4880182D44	MMBR951
Q1303	4884235R02	MMBFU310
Q1304	4880182D44	MMBR951
Q1305	4880182D44	MMBR951
Q1306	4884235R02	MMBFU310
Q1307	4880182D44	MMBR951
Q1308	4880182D44	MMBR951
Q1401	4886212B01	MRF1518
Q1402	4886136B01	MRF1550
Q1403	4886136B01	MRF1550
Q1404	Not Placed	
Q1501	4880141L03	BCW68G
Q1502	4880214G02	MMBT3904
Q1503	4880214G02	MMBT3904
Q1504	4880214G02	MMBT3904
Q1505	4813824A17	MMBT3906
Q1506	4880214G02	MMBT3904
Q1601	4813824A17	MMBT3906
Q1602	4880048M01	DTC144EKA
Q1603	4880214G02	MMBT3904
Q1604	4880214G02	MMBT3904
Q1605	4880214G02	MMBT3904
Q1606	4813824A17	MMBT3906
Q1607	4880214G02	MMBT3904
Q1609	4813824A17	MMBT3906
Q1610	4805585Q17	NE25139
R0101	0662057A73	RES, 10K
R0102	0662057A65	RES, 4.7K
R0103	0662057A01	RES, 10
R0104	0662057A73	RES, 10K

Circuit Ref	Motorola Part No.	Description
R0105	0662057A97	RES, 100K
R0106	Not Placed	
R0107	Not Placed	
R0108	0662057A57	RES, 2.2K
R0110	Not Placed	
R0111	0662057B47	RES, 0
R0112	Not Placed	
R0113	0662057A73	RES, 10K
R0114	0662057A73	RES, 10K
R0115	0662057A73	RES, 10K
R0116	Not Placed	
R0117	0662057A63	RES, 3.9K
R0121	0662057A97	RES, 100K
R0131	0662057B46	RES, 10MEG
R0132	0662057B10	RES, 330K
R0151	0662057A82	RES, 24K
R0152	0662057A82	RES, 24K
R0170	0662057A73	RES, 10K
R0171	0662057A65	RES, 4.7K
R0172	0662057A73	RES, 10K
R0173	0662057A65	RES, 4.7K
R0174	0662057A73	RES, 10K
R0175	0662057A73	RES, 10K
R0176	0662057A84	RES, 30K
R0177	0662057A65	RES, 4.7K
R0178	0662057A89	RES, 47K
R0179	0662057A89	RES, 47K
R0181	0662057A65	RES, 4.7K
R0182	0662057A89	RES, 47K
R0183	0662057A65	RES, 4.7K
R0184	0662057A89	RES, 47K
R0185	0662057A65	RES, 4.7K
R0186	0662057A89	RES, 47K
R0201	0662057A25	RES, 100
R0202	0662057A43	RES, 560
R0203	0662057A25	RES, 100
R0204	0662057A43	RES, 560
R0205	0662057A73	RES, 10K
R0206	0662057A73	RES, 10K
R0207	0662057A57	RES, 2.2K
R0208	0662057A57	RES, 2.2K
R0211	0660076E70	RES, 7.5K
R0212	0660076E70	RES, 7.5K
R0220	Not Placed	
R0221	0662057A82	RES, 24K
R0222	0662057A82	RES, 24K
R0223	0662057A84	RES, 30K
R0224	0662057A71	RES, 8.2K
R0225	Not Placed	
R0226	Not Placed	
R0227	Not Placed	

Circuit Ref	Motorola Part No.	Description
R0228	0662057B47	RES, 0
R0229	0662057A01	RES, 10
R0241	0662057A89	RES, 47K
R0242	0662057B47	RES, 0
R0251	0662057A89	RES, 47K
R0252	0662057A91	RES, 56K
R0253	0662057A97	RES, 100K
R0254	0662057A73	RES, 10K
R0255	0662057A73	RES, 10K
R0256	0662057A97	RES, 100K
R0257	0662057A57	RES, 2.2K
R0261	0662057A73	RES, 10K
R0262	0662057B08	RES, 270K
R0265	0662057A82	RES, 24K
R0266	Not Placed	
R0267	0662057A89	RES, 47K
R0268	0662057A73	RES, 10K
R0269	0662057A41	RES, 470
R0273	0662057A82	RES, 24K
R0274	Not Placed	
R0275	0662057A73	RES, 10K
R0276	0662057A77	RES, 15K
R0323	Not Placed	
R0324	Not Placed	
R0331	Not Placed	
R0332	Not Placed	
R0333	Not Placed	
R0335	Not Placed	
R0341	Not Placed	
R0342	Not Placed	
R0343	Not Placed	
R0344	Not Placed	
R0345	Not Placed	
R0346	Not Placed	
R0347	Not Placed	
R0401	0662057A33	RES, 220
R0407	0662057M26	RES, 10
R0408	0662057A25	RES, 100
R0409	0662057M26	RES, 10
R0412	0662057B47	RES, 0
R0441	0662057B47	RES, 0
R0442	0662057A49	RES, 1K
R0467	0662057M26	RES, 10
R0468	0662057A97	RES, 100K
R0481	0662057B47	RES, 0
R0482	0662057B47	RES, 0
R0508	0662057A41	RES, 470
R0509	0662057B47	RES, 0
R0510	0662057A65	RES, 4.7K
R0511	0662057A97	RES, 100K
R0512	0662057A77	RES, 15K

Circuit Ref	Motorola Part No.	Description
R0525	0662057A97	RES, 100K
R0529	0662057A89	RES, 47K
R0530	0662057A81	RES, 22K
R0531	0662057A43	RES, 560
R0533	0662057B47	RES, 0
R0535	0662057A49	RES, 1K
R0537	0662057A33	RES, 220
R0538	0662057A33	RES, 220
R0539	0662057A65	RES, 4.7K
R0541	0662057A83	RES, 27K
R0542	Not Placed	
R0543	0662057A97	RES, 100K
R0555	0662057A25	RES, 100
R0556	0662057A25	RES, 100
R0591	0662057A82	RES, 24K
R0592	0662057A01	RES, 10
R0593	0662057A97	RES, 100K
R0611	0662057A91	RES, 56K
R0612	0662057A65	RES, 4.7K
R0621	0662057A82	RES, 24K
R0641	0662057A73	RES, 10K
R0642	0660076E70	RES, 7.5K
R0643	0660076E51	RES, 1.2K
R0651	0662057A01	RES, 10
R0652	0662057A01	RES, 10
R0661	0662057A49	RES, 1K
R0662	0662057B02	RES, 150K
R0671	0662057A84	RES, 30K
R0672	0662057A73	RES, 10K
R0681	0662057A79	RES, 18K
R0682	0662057A93	RES, 68K
R1001	0662057A05	RES, 15
R1002	0662057A05	RES, 15
R1003	0662057A41	RES, 470
R1004	0662057A59	RES, 2.7K
R1005	0662057A31	RES, 180
R1006	0662057A73	RES, 10K
R1007	0662057A71	RES, 8.2K
R1008	0662057A65	RES, 4.7K
R1009	Not Placed	
R1010	Not Placed	
R1011	Not Placed	
R1101	0662057A18	RES, 51
R1102	0662057A78	RES, 16K
R1103	0662057A39	RES, 390
R1104	0662057A71	RES, 8.2K
R1106	0662057A25	RES, 100
R1107	0662057A68	RES, 6.2K
R1108	0662057A61	RES, 3.3K
R1109	0662057A37	RES, 330
R1110	0662057A25	RES, 100

Circuit Ref	Motorola Part No.	Description
R1111	0662057A17	RES, 47
R1113	0662057A64	RES, 4.3K
R1114	0662057A64	RES, 4.3K
R1115	0662057A75	RES, 12K
R1116	Not Placed	
R1117	0662057A37	RES, 330
R1118	0662057A56	RES, 2K
R1119	0662057A83	RES, 27K
R1120	0662057A18	RES, 51
R1121	0662057A71	RES, 8.2K
R1122	0662057A73	RES, 10K
R1123	0662057A51	RES, 1.2K
R1124	Not Placed	
R1125	Not Placed	
R1126	Not Placed	
R1127	Not Placed	
R1128	0662057A73	RES, 10K
R1129	0662057A73	RES, 10K
R1130	0662057A73	RES, 10K
R1131	0662057A77	RES, 15K
R1132	0662057A58	RES, 2.4K
R1133	0662057A61	RES, 3.3K
R1134	0662057A05	RES, 15
R1135	0662057A20	RES, 62
R1136	0662057A45	RES, 680
R1137	0662057A75	RES, 12K
R1138	0662057A01	RES, 10
R1139	0611077A12	RES, 2.7
R1140	0662057A39	RES, 390
R1141	0662057A55	RES, 1.8K
R1201	0662057B47	RES, 0
R1202	Not Placed	
R1203	0662057B02	RES, 150K
R1204	0662057B47	RES, 0
R1205	0662057A45	RES, 680
R1206	0662057A41	RES, 470
R1207	Not Placed	
R1208	0662057A18	RES, 51
R1209	0662057A61	RES, 3.3K
R1210	0662057A33	RES, 220
R1211	0662057B14	RES, 470K
R1212	0662057A25	RES, 100
R1213	0662057A45	RES, 680
R1214	0662057A54	RES, 1.6K
R1215	0662057A21	RES, 68
R1216	0662057A18	RES, 51
R1217	0662057A25	RES, 100
R1218	0662057A17	RES, 47
R1219	0662057A17	RES, 47
R1220	0662057A17	RES, 47
R1221	0662057B47	RES, 0

Circuit Ref	Motorola Part No.	Description
R1222	Not Placed	
R1306	0662057B47	RES, 0
R1307	0662057A19	RES, 56
R1308	0662057A19	RES, 56
R1309	0662057A41	RES, 470
R1311	0662057A73	RES, 10K
R1312	0662057A51	RES, 1.2K
R1313	0662057A51	RES, 1.2K
R1314	0662057A37	RES, 330
R1315	0662057A61	RES, 3.3K
R1316	0662057A45	RES, 680
R1317	0662057A09	RES, 22
R1318	0662057A41	RES, 470
R1319	0662057A01	RES, 10
R1320	0662057A41	RES, 470
R1325	Not Placed	
R1326	0662057A19	RES, 56
R1327	0662057A19	RES, 56
R1328	0662057A41	RES, 470
R1330	0662057A73	RES, 10K
R1331	0662057A51	RES, 1.2K
R1332	0662057A51	RES, 1.2K
R1333	0662057A37	RES, 330
R1334	0662057A61	RES, 3.3K
R1335	0662057A47	RES, 820
R1336	0662057A09	RES, 22
R1337	0662057A22	RES, 75
R1338	0662057A27	RES, 120
R1339	0662057A22	RES, 75
R1340	0662057A49	RES, 1K
R1341	0662057A25	RES, 100
R1342	0662057A25	RES, 100
R1343	0662057C55	RES, 150
R1344	0662057A49	RES, 1K
R1345	0662057A25	RES, 100
R1346	0662057A25	RES, 100
R1347	0662057C55	RES, 150
R1376	0662057A65	RES, 4.7K
R1402	0611079A64	RES, 390
R1404	0680194M18	RES, 51
R1405	0680194M18	RES, 51
R1406	0662057A73	RES, 10K
R1407	0662057A73	RES, 10K
R1409	0682089V01	RES, .01
R1410	0683962T52	RES, 130
R1411	0662057C99	RES, 10K
R1412	Not Placed	
R1413	0680194M01	RES, 10
R1414	0680194M01	RES, 10
R1415	Not Placed	
R1416	0680194M01	RES, 10

Circuit Ref	Motorola Part No.	Description
R1417	0680194M01	RES, 10
R1418	0680194M01	RES, 10
R1419	0680194M01	RES, 10
R1420	0680194M01	RES, 10
R1421	0680194M01	RES, 10
R1422	0680194M01	RES, 10
R1423	0680194M01	RES, 10
R1424	0662057D10	RES, 27K
R1425	0662057D10	RES, 27K
R1440	0662057A25	RES, 100
R1441	Not Placed	
R1442	0662057A25	RES, 100
R1443	0662057A49	RES, 1K
R1444	0662057A33	RES, 220
R1445	0662057A68	RES, 6.2K
R1446	Not Placed	
R1447	0662057B47	RES, 0
R1448	Not Placed	
R1449	0611079A64	RES, 390
R1450	0683962T71	RES, 820
R1451	0662057K31	RES, 180
R1453	0662057K31	RES, 180
R1454	0662057K31	RES, 180
R1455	Not Placed	
R1457	0662057K01	RES, 10
R1458	0611079A64	RES, 390
R1459	0611079A64	RES, 390
R1460	0680106R01	RES, 0.1
R1463	0662057A75	RES, 12K
R1464	0662057A61	RES, 3.3K
R1465	0662057A61	RES, 3.3K
R1466	Not Placed	
R1467	Not Placed	
R1468	Not Placed	
R1469	0662057C01	RES, 0
R1470	Not Placed	
R1471	Not Placed	
R1472	0662057A73	RES, 10K
R1473	0680194M01	RES, 10
R1474	0680194M01	RES, 10
R1475	0680194M01	RES, 10
R1476	0680194M01	RES, 10
R1477	0662057A61	RES, 3.3K
R1478	0662057A73	RES, 10K
R1479	0662057A61	RES, 3.3K
R1480	0662057D10	RES, 27K
R1481	0662057A90	RES, 51K
R1482	0662057B47	RES, 0
R1483	0662057A34	RES, 240
R1484	0662057A49	RES, 1K
R1501	0662057A45	RES, 680

Circuit Ref	Motorola Part No.	Description
R1502	0662057C67	RES, 470
R1503	0662057A61	RES, 3.3K
R1504	0662057A73	RES, 10K
R1505	0662057A69	RES, 6.8K
R1506	0662057A87	RES, 39K
R1507	0662057A49	RES, 1K
R1508	0662057R17	RES, 43.2
R1509	0662057P95	RES, 100K
R1510	Not Placed	
R1511	0662057P95	RES, 100K
R1512	Not Placed	
R1513	0662057C76	RES, 1.1K
R1514	0662057A97	RES, 100K
R1515	0662057A49	RES, 1K
R1516	0662057C71	RES, 680
R1517	0662057C71	RES, 680
R1518	0662057A61	RES, 3.3K
R1519	0662057C71	RES, 680
R1522	0662057A73	RES, 10K
R1523	Not Placed	
R1524	0662057C71	RES, 680
R1525	Not Placed	
R1526	0662057A97	RES, 100K
R1527	0662057A97	RES, 100K
R1528	0662057A80	RES, 20K
R1532	0662057A95	RES, 82K
R1533	0662057A73	RES, 10K
R1535	0662057R16	RES, 39.2
R1537	0662057A53	RES, 1.5K
R1541	0662057A53	RES, 1.5K
R1542	0662057A49	RES, 1K
R1543	0662057A49	RES, 1K
R1544	0662057A90	RES, 51K
R1545	0662057A65	RES, 4.7K
R1601	0662057A73	RES, 10K
R1602	0662057A65	RES, 4.7K
R1604	0662057A49	RES, 1K
R1605	0662057B10	RES, 330K
R1606	0662057B02	RES, 150K
R1607	0662057B19	RES, 750K
R1608	0662057A57	RES, 2.2K
R1609	0662057A73	RES, 10K
R1610	0662057A82	RES, 24K
R1611	0662057A49	RES, 1K
R1612	0662057A25	RES, 100
R1613	0662057A59	RES, 2.7K
R1614	0662057A49	RES, 1K
R1615	0662057A49	RES, 1K
R1616	0662057A33	RES, 220
R1617	0662057A57	RES, 2.2K
R1620	0662057A51	RES, 1.2K

Circuit Ref	Motorola Part No.	Description
R1621	0662057A68	RES, 6.2K
R1622	0662057A49	RES, 1K
R1626	0662057A18	RES, 51
R1627	0662057A73	RES, 10K
R1628	0662057A55	RES, 1.8K
R1629	0662057A67	RES, 5.6K
R1630	0662057A53	RES, 1.5K
R1631	0662057A18	RES, 51
R1632	0662057A82	RES, 24K
R1633	Not Placed	
R1635	0662057B47	RES, 0
R1636	0662057A42	RES, 510
R1637	0662057A59	RES, 2.7K
R1638	0662057A55	RES, 1.8K
SH1201	Not Placed	
SH1202	Not Placed	
SH1301	Not Placed	
SH1302	2680473U01	VCO SHIELD
U0101	5102226J56	MC68HC11FLO
U0111	5102463J64	EEPROM
U0121	5186137B01	FLASH ROM
U0122	5185748L01	SRAM
U0141	5113805A30	REMUX
U0211	5183222M49	MC3403
U0221	5185130C53	ASFIC COMPANDER IC
U0251	5184704M60	MUX/DEMUX
U0271	5109699X01	AUDIO PA
U0301	Not Placed	
U0331	Not Placed	
U0341	Not Placed	
U0342	Not Placed	
U0351	Not Placed	
U0611	5183308X01	LM2941
U0641	5183308X01	LM2941
U0651	5113816A07	MC78M05
U0652	5113815A02	MC33064
U0653	Not Placed	
U1001	4809939C05	UMC5N
U1051	5108278X01	MIXER
U1101	5102463J52	MC74HC4066
U1102	5102463J52	MC74HC4066
U1103	5186144B01	SA616
U1201	5185963A27	FRACN SYNTHESIZER IC
U1250	5185963A33	LP2951
U1377	4809939C05	UMC5N
U1378	4809939C05	UMC5N
U1401	5185130C65	LDMOS PREDRIVER IC
U1402	5113818A03	MC33072
U1501	5185963A15	LM50
U1502	5109731C21	LM6142BIM
U1503	5185765B26	POWER CONTROL IC

Circuit Ref	Motorola Part No.	Description
U1601	5180929W01	MC1350
VR0151	4813830A15	MMBZ5232B
VR0501	4805656W09	MMQA20VT1
VR0503	4805656W09	MMQA20VT1
VR0504	4813830A40	MMBZ5257B
VR0505	4805656W09	MMQA20VT1
VR0509	4813830A40	MMBZ5257B
VR0510	4813830A40	MMBZ5257B
VR0537	4813830A15	MMBZ5232B
VR0541	4813830A27	MMBZ5244B
VR0601	4813832C77	TRANSIENT SUPPRESSOR
VR0621	4813830A15	MMBZ5232B
VR0671	Not Placed	
Y0131	4880113R19	CRYSTAL, 38.4 KHZ
Y1101	4880908W08	CRYSTAL, 10.245 MHZ
Y1102	9186145B02	DISCRIMINATOR, 455 KHZ
Y1201	4880114R04	CRYSTAL, 16.8 MHZ
Y1202	Not Placed	

Low Band Range 2 PCB 8486207B07 Parts List

Circuit Ref	Motorola Part No.	Description
C0101	2113740F51	CAP, 100pF
C0102	Not Placed	
C0103	Not Placed	
C0104	Not Placed	
C0105	Not Placed	
C0106	Not Placed	
C0107	2113741F25	CAP, 1000pF
C0108	Not Placed	
C0111	Not Placed	
C0112	2113743E20	CAP, 0.1uF
C0121	2113743E20	CAP, 0.1uF
C0122	2113743E20	CAP, 0.1uF
C0123	Not Placed	
C0131	2113740F35	CAP, 22pF
C0132	2113740F35	CAP, 22pF
C0141	2113743E20	CAP, 0.1uF
C0151	2113741F49	CAP, .01uF
C0201	2311049A57	CAPP, 10uF
C0202	2311049A57	CAPP, 10uF
C0203	Not Placed	
C0204	2113743E20	CAP, 0.1uF
C0205	Not Placed	
C0211	Not Placed	
C0212	2311049A57	CAPP, 10uF
C0221	2113743E20	CAP, 0.1uF
C0222	2113743E20	CAP, 0.1uF
C0223	2113743E20	CAP, 0.1uF
C0224	2113740F51	CAP, 100pF
C0225	2113743E20	CAP, 0.1uF
C0226	2113743E20	CAP, 0.1uF
C0227	Not Placed	
C0228	2311049A56	CAPP, 4.7uF
C0231	2113743B29	CAP, 1uF
C0232	2113743E20	CAP, 0.1uF
C0233	Not Placed	
C0234	2113743E20	CAP, 0.1uF
C0235	2113743E07	CAP, .022uF
C0236	2113743E10	CAP, .033uF
C0237	Not Placed	
C0241	2113743E20	CAP, 0.1uF
C0242	Not Placed	
C0243	2113740F51	CAP, 100pF
C0244	2113743E20	CAP, 0.1uF
C0245	2113743E20	CAP, 0.1uF
C0246	2113741F49	CAP, .01uF
C0251	2113743E20	CAP, 0.1uF
C0252	2311049A07	CAPP, 1uF
C0253	Not Placed	
C0254	2113743E20	CAP, 0.1uF

Circuit Ref	Motorola Part No.	Description
C0470	2113743L09	CAP, 470pF
C0471	2113743N48	CAP, 82pF
C0472	2113743N48	CAP, 82pF
C0473	2113743N48	CAP, 82pF
C0474	2113743L09	CAP, 470pF
C0476	2113743L09	CAP, 470pF
C0477	2113743L09	CAP, 470pF
C0478	2113743L09	CAP, 470pF
C0482	2113743L09	CAP, 470pF
C0483	2113743L09	CAP, 470pF
C0484	2113741F17	CAP, 470pF
C0485	2113743L09	CAP, 470pF
C0486	2113743L09	CAP, 470pF
C0487	2113743L09	CAP, 470pF
C0488	2113743L09	CAP, 470pF
C0490	2113743L09	CAP, 470pF
C0491	2113743L09	CAP, 470pF
C0492	2113743L09	CAP, 470pF
C0493	2113743L09	CAP, 470pF
C0494	2113743L09	CAP, 470pF
C0495	2113743L09	CAP, 470pF
C0496	2113743L09	CAP, 470pF
C0497	2113743L09	CAP, 470pF
C0499	2113743L09	CAP, 470pF
C0501	2113741F49	CAP, .01uF
C0502	2113741F17	CAP, 470pF
C0503	2113741F17	CAP, 470pF
C0504	2113741F17	CAP, 470pF
C0505	2113741F17	CAP, 470pF
C0506	2113741F17	CAP, 470pF
C0508	2113741F17	CAP, 470pF
C0509	2113741F17	CAP, 470pF
C0510	2113741F17	CAP, 470pF
C0511	2113741F17	CAP, 470pF
C0512	2113741F17	CAP, 470pF
C0513	2113741F17	CAP, 470pF
C0514	2113741F17	CAP, 470pF
C0515	2113741F17	CAP, 470pF
C0516	2113741F49	CAP, .01uF
C0517	2113743N48	CAP, 82pF
C0518	2113741F17	CAP, 470pF
C0541	2311049A05	CAPP, 0.47uF
C0542	2311049A99	CAPP, 47uF
C0554	Not Placed	
C0558	Not Placed	
C0559	Not Placed	
C0560	2113741F25	CAP, 1000pF
C0575	Not Placed	
C0576	Not Placed	
C0591	2113743E20	CAP, 0.1uF
C0592	2113743E20	CAP, 0.1uF

Circuit Ref	Motorola Part No.	Description
C0593	2113741B69	CAP, 0.1uF
C0601	2113741F17	CAP, 470pF
C0603	2380090M24	CAPP, 10uF
C0611	2311049C06	CAPP, 22uF
C0612	2113743E20	CAP, 0.1uF
C0621	Not Placed	
C0622	2311049A99	CAPP, 47uF
C0641	2113741F17	CAP, 470pF
C0644	2311049A97	CAPP, 33uF
C0645	2113743E20	CAP, 0.1uF
C0651	Not Placed	
C0652	2311049A97	CAPP, 33uF
C0654	2311049A57	CAPP, 10uF
C0655	2113743E20	CAP, 0.1uF
C0661	2311049C05	CAPP, 47uF
C0662	2113741F49	CAP, .01uF
C0663	2113743E20	CAP, 0.1uF
C0671	2113743E20	CAP, 0.1uF
C0681	2113743E20	CAP, 0.1uF
C1001	2113740F56	CAP, 160pF
C1002	2113741F49	CAP, .01uF
C1003	2113740F62	CAP, 300pF
C1004	2113740F53	CAP, 120pF
C1006	2113740F46	CAP, 62pF
C1007	2113740F60	CAP, 240pF
C1008	2113741F25	CAP, 1000pF
C1009	2113740F60	CAP, 240pF
C1010	2113740F46	CAP, 62pF
C1011	2113740F53	CAP, 120pF
C1012	2113740F62	CAP, 300pF
C1013	2113741F49	CAP, .01uF
C1014	2113740F56	CAP, 160pF
C1015	2113741F49	CAP, .01uF
C1016	2113740F55	CAP, 150pF
C1017	2113741F27	CAP, 1200pF
C1019	2113740F60	CAP, 240pF
C1020	2113740F59	CAP, 220pF
C1021	2113740F62	CAP, 300pF
C1022	2113740F59	CAP, 220pF
C1023	2113740F62	CAP, 300pF
C1024	2113740F59	CAP, 220pF
C1025	2113740F60	CAP, 240pF
C1026	2113741F27	CAP, 1200pF
C1027	2113740F55	CAP, 150pF
C1028	2113741F49	CAP, .01uF
C1029	2113741F49	CAP, .01uF
C1030	2113743E20	CAP, 0.1uF
C1031	2113743E20	CAP, 0.1uF
C1032	2113740F48	CAP, 75pF
C1033	2113740F50	CAP, 91pF
C1034	2113740F51	CAP, 100pF

Circuit Ref	Motorola Part No.	Description	Circuit Ref	Motorola Part No.	Description	Circuit Ref	Motorola Part No.	Description	Circuit Ref	Motorola Part No.	Description
C1035	2113740F46	CAP, 62pF	C1149	2113740F53	CAP, 120pF	C1312	2113741F49	CAP, .01uF	C1415	2113741M69	CAP, 0.1uF
C1036	2113743E20	CAP, 0.1uF	C1150	2113740F54	CAP, 130pF	C1313	2113741F49	CAP, .01uF	C1416	Not Placed	
C1037	2113740F59	CAP, 220pF	C1151	Not Placed		C1314	2113740L27	CAP, 24pF	C1417	Not Placed	
C1038	2113740F62	CAP, 300pF	C1152	Not Placed		C1315	2113740L27	CAP, 24pF	C1418	2113740A73	CAP, 560pF
C1039	2113740F62	CAP, 300pF	C1153	Not Placed		C1316	2113740F15	CAP, 3.3pF	C1419	2113741A45	CAP, .01uF
C1040	2113740F59	CAP, 220pF	C1201	2113743E20	CAP, 0.1uF	C1317	2113743E20	CAP, 0.1uF	C1420	2113741A45	CAP, .01uF
C1101	2113740F53	CAP, 120pF	C1202	2311049J11	CAPP, 4.7uF	C1318	2113741F49	CAP, .01uF	C1421	Not Placed	
C1102	2113740F50	CAP, 91pF	C1203	2113741F49	CAP, .01uF	C1319	2113741F49	CAP, .01uF	C1422	Not Placed	
C1103	2113740F58	CAP, 200pF	C1204	2113740F59	CAP, 220pF	C1320	2113741F49	CAP, .01uF	C1423	2113741A45	CAP, .01uF
C1104	2113743E20	CAP, 0.1uF	C1205	Not Placed		C1321	2113740F17	CAP, 3.9pF	C1424	2113741A45	CAP, .01uF
C1105	2113743E20	CAP, 0.1uF	C1206	2113740L37	CAP, 62pF	C1323	2113740L21	CAP, 13pF	C1425	2113741W01	CAP, 1uF
C1106	2113743E20	CAP, 0.1uF	C1207	2113740F07	CAP, 1.5pF	C1325	2113741F49	CAP, .01uF	C1426	2113741W01	CAP, 1uF
C1107	2113740F49	CAP, 82pF	C1208	2113740A82	CAP, 1500pF	C1326	2113741F49	CAP, .01uF	C1427	2111078B59	CAP, 470pF
C1108	2113743E20	CAP, 0.1uF	C1209	2311049A57	CAPP, 10uF	C1333	2113740L28	CAP, 27pF	C1428	2111078B59	CAP, 470pF
C1109	2113740F40	CAP, 36pF	C1210	2113743E20	CAP, 0.1uF	C1334	2113740L36	CAP, 56pF	C1429	2111078B58	CAP, 430pF
C1110	Not Placed		C1211	2113741F49	CAP, .01uF	C1335	2113740F19	CAP, 4.7pF	C1430	2111078B58	CAP, 430pF
C1111	2113740L03	CAP, 2.4pF	C1212	2311049A07	CAPP, 1uF	C1336	2113743E20	CAP, 0.1uF	C1431	2113741A45	CAP, .01uF
C1112	2113740F40	CAP, 36pF	C1213	2113743A23	CAP, 0.22uF	C1337	Not Placed		C1432	2113741W01	CAP, 1uF
C1113	2113743E20	CAP, 0.1uF	C1214	2113743E10	CAP, .033uF	C1338	2113741F49	CAP, .01uF	C1433	2113741W01	CAP, 1uF
C1114	2113743E20	CAP, 0.1uF	C1215	2113740C37	CAP, 6800pF	C1339	2113741F49	CAP, .01uF	C1434	2113741A45	CAP, .01uF
C1115	2113740F53	CAP, 120pF	C1216	2311049J11	CAPP, 4.7uF	C1340	2113741F49	CAP, .01uF	C1435	2113741W01	CAP, 1uF
C1116	2113740F41	CAP, 39pF	C1217	2113741F49	CAP, .01uF	C1341	2113740L36	CAP, 56pF	C1436	2113741A45	CAP, .01uF
C1119	2113743E20	CAP, 0.1uF	C1218	2113743E20	CAP, 0.1uF	C1342	2113740L36	CAP, 56pF	C1437	2111078B58	CAP, 430pF
C1120	Not Placed		C1219	2311049J11	CAPP, 4.7uF	C1343	2113740F15	CAP, 3.3pF	C1438	2111078B58	CAP, 430pF
C1121	Not Placed		C1220	2311049J11	CAPP, 4.7uF	C1344	2113741F49	CAP, .01uF	C1439	2111078B59	CAP, 470pF
C1122	Not Placed		C1221	Not Placed		C1345	2113743E20	CAP, 0.1uF	C1440	2111078B59	CAP, 470pF
C1123	2113740F39	CAP, 33pF	C1222	2113740F36	CAP, 24pF	C1346	2113741F49	CAP, .01uF	C1441	2111078B52	CAP, 240pF
C1124	2113743E20	CAP, 0.1uF	C1223	2113741F49	CAP, .01uF	C1347	2113741F49	CAP, .01uF	C1442	2111078B45	CAP, 130pF
C1125	2113743E11	CAP, .039uF	C1224	2113740F49	CAP, 82pF	C1348	2113740F17	CAP, 3.9pF	C1443	2111078B59	CAP, 470pF
C1126	2113743E20	CAP, 0.1uF	C1225	2113741F49	CAP, .01uF	C1349	2113743E20	CAP, 0.1uF	C1444	2111078B59	CAP, 470pF
C1127	2311049A57	CAPP, 10uF	C1226	Not Placed		C1350	2113740F31	CAP, 15pF	C1445	2113741A45	CAP, .01uF
C1128	2113743E20	CAP, 0.1uF	C1227	2113741F49	CAP, .01uF	C1351	2113741F49	CAP, .01uF	C1446	Not Placed	
C1129	2113740F35	CAP, 22pF	C1228	Not Placed		C1352	2113741F49	CAP, .01uF	C1447	2111078B52	CAP, 240pF
C1130	2113740F47	CAP, 68pF	C1229	2113741F49	CAP, .01uF	C1354	Not Placed		C1448	2111078B52	CAP, 240pF
C1131	Not Placed		C1230	2113741F49	CAP, .01uF	C1356	Not Placed		C1449	2180060M49	CAP, 180pF
C1133	2113743E20	CAP, 0.1uF	C1231	2113741F49	CAP, .01uF	C1360	Not Placed		C1450	Not Placed	
C1134	2113743E20	CAP, 0.1uF	C1232	Not Placed		C1361	Not Placed		C1451	2180060M49	CAP, 180pF
C1135	2113743E20	CAP, 0.1uF	C1233	Not Placed		C1362	Not Placed		C1452	2180060M29	CAP, 27pF
C1136	2113743E20	CAP, 0.1uF	C1234	Not Placed		C1401	2113741A45	CAP, .01uF	C1453	2180060M42	CAP, 91pF
C1137	2113740F53	CAP, 120pF	C1250	2311049A09	CAPP, 2.2uF	C1402	2113741A45	CAP, .01uF	C1454	2180060M38	CAP, 62pF
C1138	2113743E20	CAP, 0.1uF	C1251	2113743E20	CAP, 0.1uF	C1403	Not Placed		C1455	2180060M30	CAP, 30pF
C1139	2113741F49	CAP, .01uF	C1252	2113743E05	CAP, .018uF	C1404	2113741A45	CAP, .01uF	C1456	2180060M40	CAP, 75pF
C1140	2113741F49	CAP, .01uF	C1253	2311049J11	CAPP, 4.7uF	C1405	2113741A45	CAP, .01uF	C1457	2113741A45	CAP, .01uF
C1141	2113743E20	CAP, 0.1uF	C1254	2113741F49	CAP, .01uF	C1406	Not Placed		C1458	2311049C01	CAPP, 10uF
C1142	2113743E20	CAP, 0.1uF	C1304	Not Placed		C1407	2113741A45	CAP, .01uF	C1459	2311049C01	CAPP, 10uF
C1143	2113743E20	CAP, 0.1uF	C1305	Not Placed		C1408	Not Placed		C1460	2113743E20	CAP, 0.1uF
C1144	2113743E20	CAP, 0.1uF	C1306	2113740L23	CAP, 16pF	C1409	Not Placed		C1461	2113741A45	CAP, .01uF
C1145	2113741F41	CAP, 4700pF	C1307	2113740L27	CAP, 24pF	C1410	2113741M69	CAP, 0.1uF	C1462	2311049C01	CAPP, 10uF
C1146	2113740F49	CAP, 82pF	C1308	2113740F19	CAP, 4.7pF	C1412	2113741A45	CAP, .01uF	C1463	2113928E01	CAP, 1uF
C1147	2113740F65	CAP, 390pF	C1309	Not Placed		C1413	2113741A45	CAP, .01uF	C1464	2113741A45	CAP, .01uF
C1148	2113743E20	CAP, 0.1uF	C1311	2113741F49	CAP, .01uF	C1414	2113741A45	CAP, .01uF	C1465	2113928E01	CAP, 1uF

Circuit Ref	Motorola Part No.	Description	Circuit Ref	Motorola Part No.	Description	Circuit Ref	Motorola Part No.	Description	Circuit Ref	Motorola Part No.	Description
C1466	2113741A45	CAP, .01uF	C1613	2113740F54	CAP, 130pF	FL1104	9180468V04	CFUCJ455F	L1304	2462587N66	IDCTR, 820nH
C1467	2113740A46	CAP, 47pF	C1614	2113741F24	CAP, 910pF	FL1105	9180468V05	CFUCJ455E	L1305	2480289M17	IDCTR, 27uH
C1468	2113741A45	CAP, .01uF	C1615	Not Placed		FL1106	9180469V04	CFWC455F	L1306	2480289M17	IDCTR, 27uH
C1469	2113741W01	CAP, 1uF	C1616	2113740F40	CAP, 36pF	FL1107	9180469V05	CFWC455E	L1307	2480289M17	IDCTR, 27uH
C1470	2113741W01	CAP, 1uF	C1618	2113743A23	CAP, 0.22uF	J0401	0902636Y02	CONN, 12-PIN, CONTROL HEAD	L1309	2480289M17	IDCTR, 27uH
C1471	2113741A45	CAP, .01uF	C1619	2311049A57	CAPP, 10uF	J0451	0902636Y01	CONN, 18-PIN, EXPANSION BOARD	L1310	2462587N60	IDCTR, 390nH
C1472	2113741M69	CAP, 0.1uF	C1620	2113741F25	CAP, 1000pF	J0501	0986105B01	CONN, 20-PIN, ACCESSORY BOARD	L1311	2480289M17	IDCTR, 27uH
C1473	2113741M69	CAP, 0.1uF	C1621	Not Placed		J0551	0905505Y04	CONN, 40-PIN, INTERNAL OPTION	L1313	2408382D19	IDCTR, 491nH
C1474	2113741A45	CAP, .01uF	C1622	2113743E20	CAP, 0.1uF	J0501	0986105B01	CONN, 20-PIN, ACCESSORY BOARD	L1314	2480289M18	IDCTR, 33uH
C1475	2113741W01	CAP, 1uF	C1623	2113740F60	CAP, 240pF	J0551	0905505Y04	CONN, 40-PIN, INTERNAL OPTION	L1315	2462587N69	IDCTR, 1.2uH
C1476	2113741A45	CAP, .01uF	C1624	2113741F37	CAP, 3300pF	J0552	0905505Y03	CONN, 18-PIN, RS232	L1316	2480289M18	IDCTR, 33uH
C1477	2111078B42	CAP, 100pF	C1625	2113740F29	CAP, 12pF	J0601	0986165B01	DC POWER CONNECTOR	L1317	2480289M18	IDCTR, 33uH
C1478	2111078B42	CAP, 100pF	C1626	2113740F59	CAP, 220pF	J1401	0986166B02	MINI-U ANTENNA CONNECTOR	L1318	2480289M18	IDCTR, 33uH
C1479	2111078B52	CAP, 240pF	C1627	2113743A23	CAP, 0.22uF	L0481	Not Placed		L1321	2462587N58	IDCTR, 270nH
C1480	2111078B54	CAP, 300pF	C1628	2113743E20	CAP, 0.1uF	L0482	Not Placed		L1322	2480289M18	IDCTR, 33uH
C1481	2111078B54	CAP, 300pF	C1629	2113740F39	CAP, 33pF	L1001	2408382A11	IDCTR, 130nH	L1324	2480289M18	IDCTR, 33uH
C1482	2113928E01	CAP, 1uF	C1631	2311049A57	CAPP, 10uF	L1002	2408382C11	IDCTR, 130nH	L1401	Not Placed	
C1484	2113741F33	CAP, 2200pF	C1632	2113743E20	CAP, 0.1uF	L1003	2408382A11	IDCTR, 130nH	L1402	2462587U09	IDCTR, 4.7uH
C1485	2113741A45	CAP, .01uF	C1633	2113743A23	CAP, 0.22uF	L1004	2408382C11	IDCTR, 130nH	L1403	2462587U09	IDCTR, 4.7uH
C1501	2113741F33	CAP, 2200pF	C1634	2113741A45	CAP, .01uF	L1005	2408382C11	IDCTR, 130nH	L1404	2462587N56	IDCTR, 180nH
C1502	2113741F33	CAP, 2200pF	CR1201	4862824C03	1SV232	L1006	2408382A11	IDCTR, 130nH	L1405	Not Placed	
C1503	2113741F33	CAP, 2200pF	CR1202	4802233J09	IMN10	L1007	2408382A11	IDCTR, 130nH	L1406	2408381X36	IDCTR, 250.974nH
C1504	2113741F33	CAP, 2200pF	CR1302	4805649Q14	HN1V02H	L1008	2408382C11	IDCTR, 130nH	L1413	2408381X17	IDCTR, 88.470nH
C1505	2113741F25	CAP, 1000pF	CR1306	4880154K03	MMBD353	L1009	2408382C11	IDCTR, 130nH	L1414	2408381X17	IDCTR, 88.470nH
C1506	2113741F25	CAP, 1000pF	CR1310	4805649Q14	HN1V02H	L1010	2408382A11	IDCTR, 130nH	L1415	2485873L02	IDCTR, 25nH
C1507	2113741F33	CAP, 2200pF	CR1314	4880154K03	MMBD353	L1011	2462587N68	IDCTR, 1uH	L1416	2485873L02	IDCTR, 25nH
C1508	2113741F33	CAP, 2200pF	D0101	4813825A05	MMBD301	L1012	2462587N57	IDCTR, 220nH	L1417	2485873L02	IDCTR, 25nH
C1509	2311049A07	CAPP, 1uF	D0151	4813833C02	MMBD6100	L1013	2462587N59	IDCTR, 330nH	L1418	2408381X17	IDCTR, 88.470nH
C1510	2113741F33	CAP, 2200pF	D0179	4813833C02	MMBD6100	L1014	2462587N57	IDCTR, 220nH	L1419	2480289M17	IDCTR, 27uH
C1511	2113741F33	CAP, 2200pF	D0201	Not Placed		L1101	2462587N33	IDCTR, 1.8uH	L1420	2408381X31	IDCTR, 196.876nH
C1512	2113741F33	CAP, 2200pF	D0301	Not Placed		L1102	2462587N33	IDCTR, 1.8uH	L1421	2408381X27	IDCTR, 150.499nH
C1525	2113743E20	CAP, 0.1uF	D0621	4813833C02	MMBD6100	L1103	2462587N33	IDCTR, 3.3uH	L1422	2408381X24	IDCTR, 133.304nH
C1526	2113740F51	CAP, 100pF	D0651	4813833C02	MMBD6100	L1104	2462587N33	IDCTR, 1.8uH	L1423	2408381X15	IDCTR, 78.727nH
C1527	2113741A45	CAP, .01uF	D0660	4813833C02	MMBD6100	L1105	2480289M10	IDCTR, 6.8uH	L1424	2408384A08	IDCTR, 82nH
C1528	2113741A45	CAP, .01uF	D0661	4813833C02	MMBD6100	L1106	2480289M10	IDCTR, 6.8uH	L1425	2485873L02	IDCTR, 25nH
C1529	2113741M69	CAP, 0.1uF	D1001	4880154K03	MMBD353	L1107	2462587N33	IDCTR, 6.8uH	L1426	2485873L02	IDCTR, 25nH
C1530	2113741A45	CAP, .01uF	D1101	4880154K03	MMBD353	L1108	2480289M09	IDCTR, 5.6uH	L1601	2483411T45	IDCTR, 47uH
C1531	Not Placed		D1401	4808379X02	MA4P1450	L1109	Not Placed		L1602	2483411T45	IDCTR, 47uH
C1532	Not Placed		D1402	4808379X02	MA4P1450	L1110	Not Placed		L1603	2483411T73	IDCTR, 1uH
C1601	2113743E20	CAP, 0.1uF	D1501	4813825A05	MMBD301	L1111	2480289M18	IDCTR, 33uH	L1604	2483411T45	IDCTR, 47uH
C1602	2113740F59	CAP, 220pF	D1502	4813833C02	MMBD6100	L1112	2408383X07	IDCTR, 3.3uH	L1605	2483411T41	IDCTR, 22uH
C1603	2113743A23	CAP, 0.22uF	D1503	4813833C02	MMBD6100	L1121	2483411T35	IDCTR, 6.8uH	L1606	2462587T30	IDCTR, 1uH
C1604	2113743A23	CAP, 0.22uF	D1601	4880154K03	MMBD353	L1122	2483411T35	IDCTR, 6.8uH	L1607	2462587T30	IDCTR, 1uH
C1605	2311049A57	CAPP, 10uF	E0271	2484657R01	FERRITE BEAD	L1201	2480289M17	IDCTR, 27uH	M1401	2686201B01	HEATSINK
C1606	2113740F59	CAP, 220pF	E0272	2484657R01	FERRITE BEAD	L1202	2462587Q20	IDCTR, 2.2uH	Q0110	4880048M01	DTC144EKA
C1607	2113740F51	CAP, 100pF	E0631	2484657R01	FERRITE BEAD	L1204	Not Placed		Q0151	4880048M01	DTC144EKA
C1608	2113743A23	CAP, 0.22uF	E1401	2408380X02	FERRITE BEAD	L1205	2462587N62	IDCTR, 560nH	Q0171	4880048M01	DTC144EKA
C1609	2113740F34	CAP, 20pF	E1403	2408380X02	FERRITE BEAD	L1206	2480289M17	IDCTR, 27uH	Q0173	4880052M01	RXT-A28
C1610	2113741F41	CAP, 4700pF	F0401	6580542Z01	FUSE	L1207	Not Placed		Q0177	4880048M01	DTC144EKA
C1611	2113743E20	CAP, 0.1uF	FL1101	9180656U03	CFEC10_7MG1	L1302	2408382D19	IDCTR, 491nH	Q0181	4880048M01	DTC144EKA
C1612	2113741F33	CAP, 2200pF	FL1102	9180022M09	CRYSTAL FILTER, 10.7 MHZ	L1303	2480289M17	IDCTR, 27uH	Q0183	4880048M01	DTC144EKA

Circuit Ref	Motorola Part No.	Description
Q0185	4880048M01	DTC144EKA
Q0271	4880214G02	MMBT3904
Q0641	4880048M01	DTC144EKA
Q0661	4805921T02	FMC2A
Q0662	4880214G02	MMBT3904
Q0663	4880048M01	DTC144EKA
Q0681	4880052M01	RXT-A28
Q1001	4880182D44	MMBR951
Q1002	4813824A17	MMBT3906
Q1003	4813824A17	MMBT3906
Q1101	4813827A07	MMBR941
Q1102	4813823A05	MMBFU310L
Q1103	4813823A05	MMBFU310L
Q1104	4813823A05	MMBFU310L
Q1105	4880048M01	DTC144EKA
Q1106	4813827A07	MMBR941
Q1107	4880214G02	MMBT3904
Q1201	4813824A17	MMBT3906
Q1202	4880182D44	MMBR951
Q1303	4884235R02	MMBFU310
Q1304	4880182D44	MMBR951
Q1305	4880182D44	MMBR951
Q1306	4884235R02	MMBFU310
Q1307	4880182D44	MMBR951
Q1308	4880182D44	MMBR951
Q1401	4886212B01	MRF1518
Q1402	4886136B01	MRF1550
Q1403	4886136B01	MRF1550
Q1404	Not Placed	
Q1501	4880141L03	BCW68G
Q1502	4880214G02	MMBT3904
Q1503	4880214G02	MMBT3904
Q1504	4880214G02	MMBT3904
Q1505	4813824A17	MMBT3906
Q1506	4880214G02	MMBT3904
Q1601	4813824A17	MMBT3906
Q1602	4880048M01	DTC144EKA
Q1603	4880214G02	MMBT3904
Q1604	4880214G02	MMBT3904
Q1605	4880214G02	MMBT3904
Q1606	4813824A17	MMBT3906
Q1607	4880214G02	MMBT3906
Q1609	4813824A17	MMBT3906
Q1610	4805585Q17	NE25139
R0101	0662057A73	RES, 10K
R0102	0662057A65	RES, 4.7K
R0103	0662057A01	RES, 10
R0104	0662057A73	RES, 10K
R0105	0662057A97	RES, 100K
R0106	Not Placed	
R0107	Not Placed	

Circuit Ref	Motorola Part No.	Description
R0108	0662057A57	RES, 2.2K
R0110	Not Placed	
R0111	0662057B47	RES, 0
R0112	Not Placed	
R0113	0662057A73	RES, 10K
R0114	0662057A73	RES, 10K
R0115	0662057A73	RES, 10K
R0116	Not Placed	
R0117	0662057A63	RES, 3.9K
R0121	0662057A97	RES, 100K
R0131	0662057B46	RES, 10MEG
R0132	0662057B10	RES, 330K
R0151	0662057A82	RES, 24K
R0152	0662057A82	RES, 24K
R0170	0662057A73	RES, 10K
R0171	0662057A65	RES, 4.7K
R0172	0662057A73	RES, 10K
R0173	0662057A65	RES, 4.7K
R0174	0662057A73	RES, 10K
R0175	0662057A73	RES, 10K
R0176	0662057A84	RES, 30K
R0177	0662057A65	RES, 4.7K
R0178	0662057A89	RES, 47K
R0179	0662057A89	RES, 47K
R0181	0662057A65	RES, 4.7K
R0182	0662057A89	RES, 47K
R0183	0662057A65	RES, 4.7K
R0184	0662057A89	RES, 47K
R0185	0662057A65	RES, 4.7K
R0186	0662057A89	RES, 47K
R0201	0662057A25	RES, 100
R0202	0662057A43	RES, 560
R0203	0662057A25	RES, 100
R0204	0662057A43	RES, 560
R0205	0662057A73	RES, 10K
R0206	0662057A73	RES, 10K
R0207	0662057A57	RES, 2.2K
R0208	0662057A57	RES, 2.2K
R0211	0660076E70	RES, 7.5K
R0212	0660076E70	RES, 7.5K
R0220	Not Placed	
R0221	0662057A82	RES, 24K
R0222	0662057A82	RES, 24K
R0223	0662057A84	RES, 30K
R0224	0662057A71	RES, 8.2K
R0225	Not Placed	
R0226	Not Placed	
R0227	Not Placed	
R0228	0662057B47	RES, 0
R0229	0662057A01	RES, 10
R0241	0662057A89	RES, 47K

Circuit Ref	Motorola Part No.	Description
R0242	0662057B47	RES, 0
R0251	0662057A89	RES, 47K
R0252	0662057A91	RES, 56K
R0253	0662057A97	RES, 100K
R0254	0662057A73	RES, 10K
R0255	0662057A73	RES, 10K
R0256	0662057A97	RES, 100K
R0257	0662057A57	RES, 2.2K
R0261	0662057A73	RES, 10K
R0262	0662057B08	RES, 270K
R0265	0662057A82	RES, 24K
R0266	Not Placed	
R0267	0662057A89	RES, 47K
R0268	0662057A73	RES, 10K
R0269	0662057A41	RES, 470
R0273	0662057A82	RES, 24K
R0274	Not Placed	
R0275	0662057A73	RES, 10K
R0276	0662057A77	RES, 15K
R0323	Not Placed	
R0324	Not Placed	
R0331	Not Placed	
R0332	Not Placed	
R0333	Not Placed	
R0335	Not Placed	
R0341	Not Placed	
R0342	Not Placed	
R0343	Not Placed	
R0344	Not Placed	
R0345	Not Placed	
R0346	Not Placed	
R0347	Not Placed	
R0401	0662057A33	RES, 220
R0407	0662057M26	RES, 10
R0408	0662057A25	RES, 100
R0409	0662057M26	RES, 10
R0412	0662057B47	RES, 0
R0441	0662057B47	RES, 0
R0442	0662057A49	RES, 1K
R0467	0662057M26	RES, 10
R0468	0662057A97	RES, 100K
R0481	0662057B47	RES, 0
R0482	0662057B47	RES, 0
R0508	0662057A41	RES, 470
R0509	0662057B47	RES, 0
R0510	0662057A65	RES, 4.7K
R0511	0662057A97	RES, 100K
R0512	0662057A77	RES, 15K
R0525	0662057A97	RES, 100K
R0529	0662057A89	RES, 47K
R0530	0662057A81	RES, 22K

Circuit Ref	Motorola Part No.	Description
R0531	0662057A43	RES, 560
R0533	0662057B47	RES, 0
R0535	0662057A49	RES, 1K
R0537	0662057A33	RES, 220
R0538	0662057A33	RES, 220
R0539	0662057A65	RES, 4.7K
R0541	0662057A83	RES, 27K
R0542	Not Placed	
R0543	0662057A97	RES, 100K
R0555	0662057A25	RES, 100
R0556	0662057A25	RES, 100
R0591	0662057A82	RES, 24K
R0592	0662057A01	RES, 10
R0593	0662057A97	RES, 100K
R0611	0662057A91	RES, 56K
R0612	0662057A65	RES, 4.7K
R0621	0662057A82	RES, 24K
R0641	0662057A73	RES, 10K
R0642	0660076E70	RES, 7.5K
R0643	0660076E51	RES, 1.2K
R0651	0662057A01	RES, 10
R0652	0662057A01	RES, 10
R0661	0662057A49	RES, 1K
R0662	0662057B02	RES, 150K
R0671	0662057A84	RES, 30K
R0672	0662057A73	RES, 10K
R0681	0662057A79	RES, 18K
R0682	0662057A93	RES, 68K
R1001	0662057A01	RES, 10
R1002	0662057A05	RES, 15
R1003	0662057A41	RES, 470
R1004	0662057A59	RES, 2.7K
R1005	0662057A31	RES, 180
R1006	0662057A73	RES, 10K
R1007	0662057A71	RES, 8.2K
R1008	0662057A65	RES, 4.7K
R1009	Not Placed	
R1010	Not Placed	
R1011	Not Placed	
R1101	0662057A18	RES, 51
R1102	0662057A78	RES, 16K
R1103	0662057A39	RES, 390
R1104	0662057A71	RES, 8.2K
R1106	0662057A25	RES, 100
R1107	0662057A68	RES, 6.2K
R1108	0662057A61	RES, 3.3K
R1109	0662057A37	RES, 330
R1110	0662057A25	RES, 100
R1111	0662057A17	RES, 47
R1113	0662057A64	RES, 4.3K
R1114	0662057A64	RES, 4.3K

Circuit Ref	Motorola Part No.	Description	Circuit Ref	Motorola Part No.	Description	Circuit Ref	Motorola Part No.	Description
R1115	0662057A75	RES, 12K	R1420	0680194M01	RES, 10	R1506	0662057A87	RES, 39K
R1116	Not Placed		R1421	0680194M01	RES, 10	R1507	0662057A49	RES, 1K
R1117	0662057A37	RES, 330	R1422	0680194M01	RES, 10	R1508	0662057R17	RES, 43.2
R1118	0662057A56	RES, 2K	R1423	0680194M01	RES, 10	R1509	0662057P95	RES, 100K
R1119	0662057A83	RES, 27K	R1424	0662057D10	RES, 27K	R1510	Not Placed	
R1120	0662057A18	RES, 51	R1425	0662057D10	RES, 27K	R1511	0662057P95	RES, 100K
R1121	0662057A71	RES, 8.2K	R1440	0662057A25	RES, 100	R1512	Not Placed	
R1122	0662057A73	RES, 10K	R1441	Not Placed		R1513	0662057C76	RES, 1.1K
R1123	0662057A51	RES, 1.2K	R1442	0662057B47	RES, 0	R1514	0662057A97	RES, 100K
R1124	Not Placed		R1443	0662057A49	RES, 1K	R1515	0662057A49	RES, 1K
R1125	Not Placed		R1444	0662057A33	RES, 220	R1516	0662057C71	RES, 680
R1126	Not Placed		R1445	0662057A68	RES, 6.2K	R1517	0662057C71	RES, 680
R1127	Not Placed		R1446	Not Placed		R1518	0662057A61	RES, 3.3K
R1128	0662057A73	RES, 10K	R1447	0662057B47	RES, 0	R1519	0662057C71	RES, 680
R1129	0662057A73	RES, 10K	R1448	Not Placed		R1522	0662057A73	RES, 10K
R1130	0662057A73	RES, 10K	R1449	0611079A64	RES, 390	R1523	Not Placed	
R1131	0662057A77	RES, 15K	R1450	0683962T71	RES, 820	R1524	0662057C71	RES, 680
R1132	0662057A58	RES, 2.4K	R1451	Not Placed		R1525	Not Placed	
R1133	0662057A61	RES, 3.3K	R1453	0662057K31	RES, 180	R1526	0662057A97	RES, 100K
R1134	0662057A05	RES, 15	R1454	0662057K31	RES, 180	R1527	0662057A97	RES, 100K
R1135	0662057A20	RES, 62	R1455	0662057K31	RES, 180	R1528	0662057A80	RES, 20K
R1136	0662057A45	RES, 680	R1457	0662057K01	RES, 10	R1532	0662057A95	RES, 82K
R1137	0662057A75	RES, 12K	R1458	0611079A64	RES, 390	R1533	0662057A73	RES, 10K
R1138	0662057A01	RES, 10	R1459	0611079A64	RES, 390	R1535	0662057R16	RES, 39.2
R1139	0611077A12	RES, 2.7	R1460	0680106R01	RES, 0.1	R1539	0662057A53	RES, 1.5K
R1140	0662057A39	RES, 390	R1463	0662057A75	RES, 12K	R1540	0662057A53	RES, 1.5K
R1141	0662057A55	RES, 1.8K	R1464	0662057A61	RES, 3.3K	R1542	0662057A49	RES, 1K
R1201	0662057B47	RES, 0	R1465	0662057A61	RES, 3.3K	R1543	0662057A49	RES, 1K
R1202	Not Placed		R1466	Not Placed		R1544	0662057A90	RES, 51K
R1203	0662057B02	RES, 150K	R1467	Not Placed		R1545	0662057A65	RES, 4.7K
R1204	0662057B47	RES, 0	R1468	Not Placed		R1601	0662057A73	RES, 10K
R1205	0662057A45	RES, 680	R1469	0662057C01	RES, 0	R1602	0662057A65	RES, 4.7K
R1206	0662057A41	RES, 470	R1470	Not Placed		R1604	0662057A49	RES, 1K
R1207	Not Placed		R1471	Not Placed		R1605	0662057B10	RES, 330K
R1208	0662057A18	RES, 51	R1472	0662057A73	RES, 10K	R1606	0662057B02	RES, 150K
R1209	0662057A61	RES, 3.3K	R1473	0680194M01	RES, 10	R1607	0662057B19	RES, 750K
R1210	0662057A33	RES, 220	R1474	0680194M01	RES, 10	R1608	0662057A57	RES, 2.2K
R1211	0662057B14	RES, 470K	R1475	0680194M01	RES, 10	R1609	0662057A73	RES, 10K
R1212	0662057A25	RES, 100	R1476	0680194M01	RES, 10	R1610	0662057A82	RES, 24K
R1213	0662057A45	RES, 680	R1477	0662057A61	RES, 3.3K	R1611	0662057A49	RES, 1K
R1214	0662057A54	RES, 1.6K	R1478	0662057A73	RES, 10K	R1612	0662057A25	RES, 100
R1215	0662057A21	RES, 68	R1479	0662057A61	RES, 3.3K	R1613	0662057A59	RES, 2.7K
R1216	0662057A18	RES, 51	R1480	0662057D10	RES, 27K	R1614	0662057A49	RES, 1K
R1217	0662057A25	RES, 100	R1482	0662057B47	RES, 0	R1615	0662057A49	RES, 1K
R1218	0662057A17	RES, 47	R1483	0662057A34	RES, 240	R1616	0662057A33	RES, 220
R1219	0662057A17	RES, 47	R1484	0662057A49	RES, 1K	R1617	0662057A57	RES, 2.2K
R1220	0662057A17	RES, 47	R1501	0662057A45	RES, 680	R1620	0662057A51	RES, 1.2K
R1221	0662057B47	RES, 0	R1502	0662057C67	RES, 470	R1621	0662057A68	RES, 6.2K
R1222	Not Placed		R1503	0662057A61	RES, 3.3K	R1622	0662057A49	RES, 1K
R1306	0662057B47	RES, 0	R1504	0662057A73	RES, 10K	R1626	0662057A18	RES, 51
R1307	0662057A19	RES, 56	R1505	0662057A69	RES, 6.8K	R1627	0662057A73	RES, 10K
R1308	0662057A19	RES, 56						
R1309	0662057A41	RES, 470						
R1311	0662057A73	RES, 10K						
R1312	0662057A51	RES, 1.2K						
R1313	0662057A51	RES, 1.2K						
R1314	0662057A37	RES, 330						
R1315	0662057A61	RES, 3.3K						
R1316	0662057A45	RES, 680						
R1317	0662057A09	RES, 22						
R1318	0662057A41	RES, 470						
R1319	0662057A01	RES, 10						
R1320	0662057A41	RES, 470						
R1325	0662057B47	RES, 0						
R1326	0662057A19	RES, 56						
R1327	0662057A19	RES, 56						
R1328	0662057A41	RES, 470						
R1330	0662057A73	RES, 10K						
R1331	0662057A51	RES, 1.2K						
R1332	0662057A51	RES, 1.2K						
R1333	0662057A37	RES, 330						
R1334	0662057A61	RES, 3.3K						
R1335	0662057A47	RES, 820						
R1336	0662057A09	RES, 22						
R1337	0662057A22	RES, 75						
R1338	0662057A27	RES, 120						
R1339	0662057A22	RES, 75						
R1340	0662057A49	RES, 1K						
R1341	0662057A25	RES, 100						
R1342	0662057A25	RES, 100						
R1343	0662057C55	RES, 150						
R1344	0662057A49	RES, 1K						
R1345	0662057A25	RES, 100						
R1346	0662057A25	RES, 100						
R1347	0662057C55	RES, 150						
R1376	0662057A65	RES, 4.7K						
R1402	0611079A64	RES, 390						
R1404	0680194M18	RES, 51						
R1405	0680194M18	RES, 51						
R1406	0662057A73	RES, 10K						
R1407	0662057A73	RES, 10K						
R1409	0682089V01	RES, .01						
R1410	0683962T52	RES, 130						
R1411	0662057C99	RES, 10K						
R1412	Not Placed							
R1413	0680194M01	RES, 10						
R1414	0680194M01	RES, 10						
R1415	Not Placed							
R1416	0680194M01	RES, 10						
R1417	0680194M01	RES, 10						
R1418	0680194M01	RES, 10						
R1419	0680194M01	RES, 10						

Circuit Ref	Motorola Part No.	Description	Circuit Ref	Motorola Part No.	Description
R1628	0662057A55	RES, 1.8K	VR0504	4813830A40	MMBZ5257B
R1629	0662057A67	RES, 5.6K	VR0505	4805656W09	MMQA20VT1
R1630	0662057A53	RES, 1.5K	VR0509	4813830A40	MMBZ5257B
R1631	0662057A18	RES, 51	VR0510	4813830A40	MMBZ5257B
R1632	0662057A82	RES, 24K	VR0537	4813830A15	MMBZ5232B
R1633	Not Placed		VR0541	4813830A27	MMBZ5244B
R1635	0662057B47	RES, 0	VR0601	4813832C77	TRANSIENT SUPPRESSOR
R1636	0662057A42	RES, 510	VR0621	4813830A15	MMBZ5232B
R1637	0662057A59	RES, 2.7K	VR0671	Not Placed	
R1638	0662057A55	RES, 1.8K	Y0131	4880113R19	CRYSTAL, 38.4 KHZ
SH1201	Not Placed		Y1101	4880908W08	CRYSTAL, 10.245 MHZ
SH1202	Not Placed		Y1102	9186145B02	DISCRIMINATOR, 455 KHZ
SH1301	Not Placed		Y1201	4880114R04	CRYSTAL, 16.8 MHZ
SH1302	2680473U01	VCO SHIELD	Y1202	Not Placed	
U0101	5102226J56	MC68HC11FLO			
U0111	5102463J64	EEPROM			
U0121	5186137B01	FLASH ROM			
U0122	5185748L01	SRAM			
U0141	5113805A30	REMUX			
U0211	5183222M49	MC3403			
U0221	5185130C53	ASFIC COMPANDER IC			
U0251	5184704M60	MUX/DEMUX			
U0271	5109699X01	AUDIO PA			
U0301	Not Placed				
U0331	Not Placed				
U0341	Not Placed				
U0342	Not Placed				
U0351	Not Placed				
U0611	5183308X01	LM2941			
U0641	5183308X01	LM2941			
U0651	5113816A07	MC78M05			
U0652	5113815A02	MC33064			
U0653	Not Placed				
U1001	4809939C05	UMC5N			
U1051	5108278X01	MIXER			
U1101	5102463J52	MC74HC4066			
U1102	5102463J52	MC74HC4066			
U1103	5186144B01	SA616			
U1201	5185963A27	FRACN SYNTHESIZER IC			
U1250	5185963A33	LP2951			
U1377	4809939C05	UMC5N			
U1378	4809939C05	UMC5N			
U1401	5185130C65	LDMOS PREDRIVER IC			
U1402	5113818A03	MC33072			
U1501	5185963A15	LM50			
U1502	5109731C21	LM6142BIM			
U1503	5185765B26	POWER CONTROL IC			
U1601	5180929W01	MC1350			
VR0151	4813830A15	MMBZ5232B			
VR0501	4805656W09	MMQA20VT1			
VR0503	4805656W09	MMQA20VT1			

Low Band Range 3 PCB 8486908Z04 Parts Lis

Circuit Ref	Motorola Part No.	Description
C0101	2113740F51	CAP, 100pF
C0102	Not Placed	
C0103	Not Placed	
C0104	Not Placed	
C0105	Not Placed	
C0106	Not Placed	
C0107	2113741F25	CAP, 1000pF
C0108	Not Placed	
C0111	Not Placed	
C0112	2113743E20	CAP, 0.1uF
C0121	2113743E20	CAP, 0.1uF
C0122	2113743E20	CAP, 0.1uF
C0123	Not Placed	
C0131	2113740F35	CAP, 22pF
C0132	2113740F35	CAP, 22pF
C0141	2113743E20	CAP, 0.1uF
C0151	2113741F49	CAP, .01uF
C0201	2311049A57	CAPP, 10uF
C0202	2311049A57	CAPP, 10uF
C0203	Not Placed	
C0204	2113743E20	CAP, 0.1uF
C0205	Not Placed	
C0211	Not Placed	
C0212	2311049A57	CAPP, 10uF
C0221	2113743E20	CAP, 0.1uF
C0222	2113743E20	CAP, 0.1uF
C0223	2113743E20	CAP, 0.1uF
C0224	2113740F51	CAP, 100pF
C0225	2113743E20	CAP, 0.1uF
C0226	2113743E20	CAP, 0.1uF
C0227	Not Placed	
C0228	2311049A56	CAPP, 4.7uF
C0231	2113743B29	CAP, 1uF
C0232	2113743E20	CAP, 0.1uF
C0233	Not Placed	
C0234	2113743E20	CAP, 0.1uF
C0235	2113743E07	CAP, .022uF
C0236	2113743E10	CAP, .033uF
C0237	Not Placed	
C0241	2113743E20	CAP, 0.1uF
C0242	Not Placed	
C0243	2113740F51	CAP, 100pF
C0244	2113743E20	CAP, 0.1uF
C0245	2113743E20	CAP, 0.1uF
C0246	2113741F49	CAP, .01uF
C0251	2113743E20	CAP, 0.1uF
C0252	2311049A07	CAPP, 1uF
C0253	Not Placed	
C0254	2113743E20	CAP, 0.1uF

Circuit Ref	Motorola Part No.	Description
C0255	2113743E20	CAP, 0.1uF
C0256	2113740F51	CAP, 100pF
C0261	2113743E20	CAP, 0.1uF
C0262	2113740F49	CAP, 82pF
C0265	2113743E20	CAP, 0.1uF
C0266	Not Placed	
C0267	2113741F49	CAP, .01uF
C0271	2113741F49	CAP, .01uF
C0272	2113743E20	CAP, 0.1uF
C0273	2113741F37	CAP, 3300pF
C0274	Not Placed	
C0275	2311049A99	CAPP, 47uF
C0276	2113741F25	CAP, 1000pF
C0277	2113741F25	CAP, 1000pF
C0290	2311049C01	CAPP, 10uF
C0291	2311049C01	CAPP, 10uF
C0292	2311049C01	CAPP, 10uF
C0293	2311049C01	CAPP, 10uF
C0301	Not Placed	
C0302	Not Placed	
C0303	Not Placed	
C0304	Not Placed	
C0305	Not Placed	
C0324	Not Placed	
C0325	Not Placed	
C0331	Not Placed	
C0341	Not Placed	
C0342	Not Placed	
C0343	Not Placed	
C0344	Not Placed	
C0351	Not Placed	
C0352	Not Placed	
C0353	Not Placed	
C0354	Not Placed	
C0421	2113743N48	CAP, 82pF
C0422	2113741F17	CAP, 470pF
C0423	2113741F17	CAP, 470pF
C0426	2113743L09	CAP, 470pF
C0427	2113743L09	CAP, 470pF
C0428	2113743N48	CAP, 82pF
C0429	2113743L09	CAP, 470pF
C0430	2113741F17	CAP, 470pF
C0431	2113741F17	CAP, 470pF
C0441	2113743L09	CAP, 470pF
C0442	2113743L09	CAP, 470pF
C0443	Not Placed	
C0445	2113743L09	CAP, 470pF
C0446	2113743L09	CAP, 470pF
C0447	2113743L09	CAP, 470pF
C0448	2113743L09	CAP, 470pF
C0449	2113743L09	CAP, 470pF

Circuit Ref	Motorola Part No.	Description
C0470	2113743L09	CAP, 470pF
C0471	2113743N48	CAP, 82pF
C0472	2113743N48	CAP, 82pF
C0473	2113743N48	CAP, 82pF
C0474	2113743L09	CAP, 470pF
C0476	2113743L09	CAP, 470pF
C0477	2113743L09	CAP, 470pF
C0478	2113743L09	CAP, 470pF
C0482	2113743L09	CAP, 470pF
C0483	2113743L09	CAP, 470pF
C0484	2113741F17	CAP, 470pF
C0485	2113743L09	CAP, 470pF
C0486	2113743L09	CAP, 470pF
C0487	2113743L09	CAP, 470pF
C0488	2113743L09	CAP, 470pF
C0490	2113743L09	CAP, 470pF
C0491	2113743L09	CAP, 470pF
C0492	2113743L09	CAP, 470pF
C0493	2113743L09	CAP, 470pF
C0494	2113743L09	CAP, 470pF
C0495	2113743L09	CAP, 470pF
C0496	2113743L09	CAP, 470pF
C0497	2113743L09	CAP, 470pF
C0499	2113743L09	CAP, 470pF
C0501	2113741F49	CAP, .01uF
C0502	2113741F17	CAP, 470pF
C0503	2113741F17	CAP, 470pF
C0504	2113741F17	CAP, 470pF
C0505	2113741F17	CAP, 470pF
C0506	2113741F17	CAP, 470pF
C0508	2113741F17	CAP, 470pF
C0509	2113741F17	CAP, 470pF
C0510	2113741F17	CAP, 470pF
C0511	2113741F17	CAP, 470pF
C0512	2113741F17	CAP, 470pF
C0513	2113741F17	CAP, 470pF
C0514	2113741F17	CAP, 470pF
C0515	2113741F17	CAP, 470pF
C0516	2113741F49	CAP, .01uF
C0517	2113743N48	CAP, 82pF
C0518	2113741F17	CAP, 470pF
C0541	2311049A05	CAPP, 0.47uF
C0542	2311049A99	CAPP, 47uF
C0554	Not Placed	
C0558	Not Placed	
C0559	Not Placed	
C0560	2113741F25	CAP, 1000pF
C0575	Not Placed	
C0576	Not Placed	
C0591	2113743E20	CAP, 0.1uF
C0592	2113743E20	CAP, 0.1uF

Circuit Ref	Motorola Part No.	Description
C0593	2113741B69	CAP, 0.1uF
C0601	2113741F17	CAP, 470pF
C0603	2380090M24	CAPP, 10uF
C0611	2311049C06	CAPP, 22uF
C0612	2113743E20	CAP, 0.1uF
C0621	Not Placed	
C0622	2311049A99	CAPP, 47uF
C0641	2113741F17	CAP, 470pF
C0644	2311049A97	CAPP, 33uF
C0645	2113743E20	CAP, 0.1uF
C0651	Not Placed	
C0652	2311049A97	CAPP, 33uF
C0654	2311049A57	CAPP, 10uF
C0655	2113743E20	CAP, 0.1uF
C0661	2311049C05	CAPP, 47uF
C0662	2113741F49	CAP, .01uF
C0663	2113743E20	CAP, 0.1uF
C0671	2113743E20	CAP, 0.1uF
C0681	2113743E20	CAP, 0.1uF
C1001	Not Placed	
C1002	2113741F49	CAP, .01uF
C1003	2113740F50	CAP, 91pF
C1004	2113740F57	CAP, 180pF
C1005	Not Placed	
C1006	2113740F45	CAP, 56pF
C1007	2113740F57	CAP, 180pF
C1008	2113740F69	CAP, 560pF
C1009	2113740F57	CAP, 180pF
C1010	2113740F42	CAP, 43pF
C1011	2113740F48	CAP, 75pF
C1012	2113740F60	CAP, 240pF
C1013	2113741F21	CAP, 680pF
C1014	2113740F54	CAP, 130pF
C1015	2113741F49	CAP, .01uF
C1016	2113740F54	CAP, 130pF
C1017	2113740F67	CAP, 470pF
C1018	Not Placed	
C1019	2113740F63	CAP, 330pF
C1020	2113740F56	CAP, 160pF
C1021	2113740F65	CAP, 390pF
C1022	2113740F55	CAP, 150pF
C1023	2113740F65	CAP, 390pF
C1024	2113740F56	CAP, 160pF
C1025	2113740F62	CAP, 300pF
C1026	2113741F25	CAP, 1000pF
C1027	2113740F52	CAP, 110pF
C1028	2113741F49	CAP, .01uF
C1029	2113741F49	CAP, .01uF
C1030	2113743E20	CAP, 0.1uF
C1031	2113743E20	CAP, 0.1uF
C1032	2113740F46	CAP, 62pF

Circuit Ref	Motorola Part No.	Description
C1033	2113740F47	CAP, 68pF
C1034	2113740F48	CAP, 75pF
C1035	2113740F44	CAP, 51pF
C1036	2113743E20	CAP, 0.1uF
C1101	2113740F53	CAP, 120pF
C1102	2113740F50	CAP, 91pF
C1103	2113740F58	CAP, 200pF
C1104	2113743E20	CAP, 0.1uF
C1105	2113743E20	CAP, 0.1uF
C1106	2113743E20	CAP, 0.1uF
C1107	2113740F49	CAP, 82pF
C1108	2113743E20	CAP, 0.1uF
C1109	2113740F40	CAP, 36pF
C1110	Not Placed	
C1111	2113740L03	CAP, 2.4pF
C1112	2113740F40	CAP, 36pF
C1113	2113743E20	CAP, 0.1uF
C1114	2113743E20	CAP, 0.1uF
C1115	2113740F53	CAP, 120pF
C1116	2113740F41	CAP, 39pF
C1119	2113743E20	CAP, 0.1uF
C1120	Not Placed	
C1121	Not Placed	
C1122	Not Placed	
C1123	2113740F39	CAP, 33pF
C1124	2113743E20	CAP, 0.1uF
C1125	2113743E11	CAP, .039uF
C1126	2113743E20	CAP, 0.1uF
C1127	2311049A57	CAPP, 10uF
C1128	2113743E20	CAP, 0.1uF
C1129	2113740F35	CAP, 22pF
C1130	2113740F47	CAP, 68pF
C1131	Not Placed	
C1133	2113743E20	CAP, 0.1uF
C1134	2113743E20	CAP, 0.1uF
C1135	2113743E20	CAP, 0.1uF
C1136	2113743E20	CAP, 0.1uF
C1137	2113740F53	CAP, 120pF
C1138	2113743E20	CAP, 0.1uF
C1139	2113741F49	CAP, .01uF
C1140	2113741F49	CAP, .01uF
C1141	2113743E20	CAP, 0.1uF
C1142	2113743E20	CAP, 0.1uF
C1143	2113743E20	CAP, 0.1uF
C1144	2113743E20	CAP, 0.1uF
C1145	2113741F41	CAP, 4700pF
C1146	2113740F49	CAP, 82pF
C1147	2113740F65	CAP, 390pF
C1148	2113743E20	CAP, 0.1uF
C1149	2113740F53	CAP, 120pF
C1150	2113740F54	CAP, 130pF

Circuit Ref	Motorola Part No.	Description
C1151	Not Placed	
C1152	Not Placed	
C1153	Not Placed	
C1201	2113743E20	CAP, 0.1uF
C1202	2311049J11	CAPP, 4.7uF
C1203	2113741F49	CAP, .01uF
C1204	2113740F59	CAP, 220pF
C1205	Not Placed	
C1206	2113740L37	CAP, 62pF
C1207	2113740F07	CAP, 1.5pF
C1208	Not Placed	
C1209	2311049A57	CAPP, 10uF
C1210	2113743E20	CAP, 0.1uF
C1211	2113741F49	CAP, .01uF
C1212	2311049A07	CAPP, 1uF
C1213	2113743A23	CAP, 0.22uF
C1214	2113743E10	CAP, .033uF
C1215	2113740C37	CAP, 6800pF
C1216	2311049J11	CAPP, 4.7uF
C1217	2113741F49	CAP, .01uF
C1218	2113743E20	CAP, 0.1uF
C1219	2311049J11	CAPP, 4.7uF
C1220	2311049J11	CAPP, 4.7uF
C1221	Not Placed	
C1222	2113740F40	CAP, 36pF
C1223	2113741F49	CAP, .01uF
C1224	2113740F49	CAP, 82pF
C1225	2113741F49	CAP, .01uF
C1226	Not Placed	
C1227	2113741F49	CAP, .01uF
C1228	Not Placed	
C1229	2113741F49	CAP, .01uF
C1230	2113741F49	CAP, .01uF
C1231	2113741F49	CAP, .01uF
C1232	Not Placed	
C1233	Not Placed	
C1234	Not Placed	
C1250	2311049A09	CAPP, 2.2uF
C1251	2113743E20	CAP, 0.1uF
C1252	2113743E05	CAP, .018uF
C1253	2311049J11	CAPP, 4.7uF
C1254	2113741F49	CAP, .01uF
C1304	Not Placed	
C1305	Not Placed	
C1306	2113740L23	CAP, 16pF
C1307	2113740L21	CAP, 13pF
C1308	2113740F19	CAP, 4.7pF
C1309	Not Placed	
C1311	2113741F49	CAP, .01uF
C1312	2113741F49	CAP, .01uF
C1313	2113741F49	CAP, .01uF

Circuit Ref	Motorola Part No.	Description
C1314	2113740L21	CAP, 13pF
C1315	2113740L21	CAP, 13pF
C1316	2113740F15	CAP, 3.3pF
C1317	2113743E20	CAP, 0.1uF
C1318	2113741F49	CAP, .01uF
C1319	2113741F49	CAP, .01uF
C1320	2113741F49	CAP, .01uF
C1321	2113740F17	CAP, 3.9pF
C1323	2113740L21	CAP, 13pF
C1325	2113741F49	CAP, .01uF
C1326	2113741F49	CAP, .01uF
C1333	2113740L26	CAP, 22pF
C1334	2113740L31	CAP, 36pF
C1335	2113740F19	CAP, 4.7pF
C1336	2113743E20	CAP, 0.1uF
C1337	Not Placed	
C1338	2113741F49	CAP, .01uF
C1339	2113741F49	CAP, .01uF
C1340	2113741F49	CAP, .01uF
C1341	2113740L31	CAP, 36pF
C1342	2113740L31	CAP, 36pF
C1343	2113740F15	CAP, 3.3pF
C1344	2113741F49	CAP, .01uF
C1345	2113743E20	CAP, 0.1uF
C1346	2113741F49	CAP, .01uF
C1347	2113741F49	CAP, .01uF
C1348	2113740F17	CAP, 3.9pF
C1349	2113743E20	CAP, 0.1uF
C1350	2113740F31	CAP, 15pF
C1351	2113741F49	CAP, .01uF
C1352	2113741F49	CAP, .01uF
C1354	Not Placed	
C1356	Not Placed	
C1360	Not Placed	
C1361	Not Placed	
C1362	Not Placed	
C1401	2113741A45	CAP, .01uF
C1402	2113741A45	CAP, .01uF
C1403	Not Placed	
C1404	2113741A45	CAP, .01uF
C1405	2113741A45	CAP, .01uF
C1406	Not Placed	
C1407	2113741A45	CAP, .01uF
C1408	Not Placed	
C1409	Not Placed	
C1410	2113741M69	CAP, 0.1uF
C1412	2113740A65	CAP, 270pF
C1413	2113741A45	CAP, .01uF
C1414	2113741A45	CAP, .01uF
C1415	2113741M69	CAP, 0.1uF
C1416	Not Placed	

Circuit Ref	Motorola Part No.	Description
C1417	2111078B58	CAP, 430pF
C1418	Not Placed	
C1419	2113741A45	CAP, .01uF
C1420	2113741A45	CAP, .01uF
C1421	Not Placed	
C1422	Not Placed	
C1423	2113741A45	CAP, .01uF
C1424	2113741A45	CAP, .01uF
C1425	2113741W01	CAP, 1uF
C1426	2113741W01	CAP, 1uF
C1427	2111078B52	CAP, 240pF
C1428	2111078B52	CAP, 240pF
C1429	2111078B52	CAP, 240pF
C1430	2111078B52	CAP, 240pF
C1431	2113741A45	CAP, .01uF
C1432	2113741W01	CAP, 1uF
C1433	2113741W01	CAP, 1uF
C1434	2113741A45	CAP, .01uF
C1435	2113741W01	CAP, 1uF
C1436	2113741A45	CAP, .01uF
C1437	2111078B59	CAP, 470pF
C1438	2111078B59	CAP, 470pF
C1439	2111078B59	CAP, 470pF
C1440	2111078B59	CAP, 470pF
C1441	2111078B51	CAP, 220pF
C1442	2111078B44	CAP, 120pF
C1443	2111078B45	CAP, 130pF
C1444	2111078B45	CAP, 130pF
C1445	Not Placed	
C1446	2180060M28	CAP, 24pF
C1447	2111078B59	CAP, 470pF
C1448	2111078B59	CAP, 470pF
C1449	2180060M44	CAP, 110pF
C1450	2180060M05	CAP, 3pF
C1451	2180060M49	CAP, 180pF
C1452	2180060M28	CAP, 24pF
C1453	2180060M43	CAP, 100pF
C1454	2180060M31	CAP, 33pF
C1455	2180060M24	CAP, 16pF
C1456	2180060M36	CAP, 51pF
C1457	2113741A45	CAP, .01uF
C1458	2311049C01	CAPP, 10uF
C1459	2311049C01	CAPP, 10uF
C1460	2113743E20	CAP, 0.1uF
C1461	2113741A45	CAP, .01uF
C1462	2311049C01	CAPP, 10uF
C1463	2113928E01	CAP, 1uF
C1464	2113741A45	CAP, .01uF
C1465	2113928E01	CAP, 1uF
C1466	2113741A45	CAP, .01uF
C1467	2113740A51	CAP, 68pF

Circuit Ref	Motorola Part No.	Description
C1468	2113741A45	CAP, .01uF
C1469	2113741W01	CAP, 1uF
C1470	2113741W01	CAP, 1uF
C1471	2113741A45	CAP, .01uF
C1472	2113741M69	CAP, 0.1uF
C1473	2113741M69	CAP, 0.1uF
C1474	2113741A45	CAP, .01uF
C1475	2113741W01	CAP, 1uF
C1476	2113741M69	CAP, 0.1uF
C1477	2111078B54	CAP, 300pF
C1478	2111078B54	CAP, 300pF
C1479	2111078B51	CAP, 220pF
C1480	2111078B40	CAP, 82pF
C1481	2111078B40	CAP, 82pF
C1482	2113928E01	CAP, 1uF
C1484	2113741F33	CAP, 2200pF
C1485	2113741A45	CAP, .01uF
C1486	2113741M69	CAP, 0.1uF
C1501	2113741F33	CAP, 2200pF
C1502	2113741F33	CAP, 2200pF
C1503	2113741F33	CAP, 2200pF
C1504	2113741F33	CAP, 2200pF
C1505	2113741F25	CAP, 1000pF
C1506	2113741F25	CAP, 1000pF
C1507	2113741F33	CAP, 2200pF
C1508	2113741F33	CAP, 2200pF
C1509	2311049A07	CAPP, 1uF
C1510	2113741F33	CAP, 2200pF
C1511	2113741F33	CAP, 2200pF
C1512	2113741F33	CAP, 2200pF
C1523	2113743E20	CAP, 0.1uF
C1525	2113743E20	CAP, 0.1uF
C1526	2113740F51	CAP, 100pF
C1527	2113741A45	CAP, .01uF
C1528	2113741A45	CAP, .01uF
C1530	2113741A45	CAP, .01uF
C1531	Not Placed	
C1532	2113743T19	CAP, 10uF
C1601	2113743E20	CAP, 0.1uF
C1602	2113740F59	CAP, 220pF
C1603	2113743A23	CAP, 0.22uF
C1604	2113743A23	CAP, 0.22uF
C1605	2311049A57	CAPP, 10uF
C1606	2113740F59	CAP, 220pF
C1607	2113740F51	CAP, 100pF
C1608	2113743A23	CAP, 0.22uF
C1609	2113740F34	CAP, 20pF
C1610	2113741F41	CAP, 4700pF
C1611	2113743E20	CAP, 0.1uF
C1612	2113741F33	CAP, 2200pF
C1613	2113740F54	CAP, 130pF

Circuit Ref	Motorola Part No.	Description
C1614	2113741F24	CAP, 910pF
C1615	Not Placed	
C1616	2113740F40	CAP, 36pF
C1618	2113743A23	CAP, 0.22uF
C1619	2311049A57	CAPP, 10uF
C1620	2113741F25	CAP, 1000pF
C1621	Not Placed	
C1622	2113743E20	CAP, 0.1uF
C1623	2113740F60	CAP, 240pF
C1624	2113741F37	CAP, 3300pF
C1625	2113740F29	CAP, 12pF
C1626	2113740F59	CAP, 220pF
C1627	2113743A23	CAP, 0.22uF
C1628	2113743E20	CAP, 0.1uF
C1629	2113740F39	CAP, 33pF
C1631	2311049A57	CAPP, 10uF
C1632	2113743E20	CAP, 0.1uF
C1633	2113743A23	CAP, 0.22uF
C1634	2113741A45	CAP, .01uF
CR1201	4862824C03	1SVZ32
CR1202	4802233J09	IMN10
CR1302	4805649Q14	HN1V02H
CR1306	4880154K03	MMBD353
CR1310	4805649Q14	HN1V02H
CR1314	4880154K03	MMBD353
D0101	4813825A05	MMBD301
D0151	4813833C02	MMBD6100
D0179	4813833C02	MMBD6100
D0201	Not Placed	
D0301	Not Placed	
D0621	4813833C02	MMBD6100
D0651	4813833C02	MMBD6100
D0660	4813833C02	MMBD6100
D0661	4813833C02	MMBD6100
D1001	4880154K03	MMBD353
D1101	4880154K03	MMBD353
D1401	4808379X02	MA4P1450
D1402	4808379X02	MA4P1450
D1501	4813825A05	MMBD301
D1502	4813833C02	MMBD6100
D1503	4813833C02	MMBD6100
D1601	4880154K03	MMBD353
E0271	2484657R01	FERRITE BEAD
E0272	2484657R01	FERRITE BEAD
E0631	2484657R01	FERRITE BEAD
E1401	2408380X02	FERRITE BEAD
E1403	2408380X02	FERRITE BEAD
F0401	658054Z201	FUSE
FL1101	9180656U03	CFEC10_7MG1
FL1102	9180022M09	CRYSTAL FILTER, 10.7 MHZ
FL1104	9180468V04	CFUCJ455F

Circuit Ref	Motorola Part No.	Description
FL1105	9180468V05	CFUCJ455E
FL1106	9180469V04	CFWC455F
FL1107	9180469V05	CFWC455E
J0401	0902636Y02	CONN, 12-PIN, CONTROL HEAD
J0451	0902636Y01	CONN, 18-PIN, EXPANSION BOARD
J0501	0986105B01	CONN, 20-PIN, ACCESSORY
J0551	0905505Y04	CONN, 40-PIN, INTERNAL OPTION
J0552	0905505Y03	CONN, 18-PIN, RS232
J0601	0986165B01	DC POWER CONNECTOR
J1401	0986166B02	MINI-U ANTENNA CONNECTOR
L0481	Not Placed	
L0482	Not Placed	
L1001	2408382A11	IDCTR, 130nH
L1002	2408382C11	IDCTR, 130nH
L1003	2408382A11	IDCTR, 130nH
L1004	2408382C11	IDCTR, 130nH
L1005	2408382A11	IDCTR, 130nH
L1006	2408382A11	IDCTR, 130nH
L1007	2408382C11	IDCTR, 130nH
L1008	2408382A11	IDCTR, 130nH
L1009	2408382C11	IDCTR, 130nH
L1010	2408382A11	IDCTR, 130nH
L1011	2462587N68	IDCTR, 1uH
L1012	2462587N57	IDCTR, 220nH
L1013	2462587N59	IDCTR, 330nH
L1014	2462587N57	IDCTR, 220nH
L1101	2462587N33	IDCTR, 1.8uH
L1102	2408383X07	IDCTR, 3.3uH
L1103	2462587N33	IDCTR, 1.8uH
L1104	2480289M10	IDCTR, 6.8uH
L1105	2480289M10	IDCTR, 6.8uH
L1106	2462587N33	IDCTR, 1.8uH
L1107	2480289M09	IDCTR, 5.6uH
L1108	Not Placed	
L1109	Not Placed	
L1110	2480289M18	IDCTR, 33uH
L1111	2408383X07	IDCTR, 3.3uH
L1112	2483411T35	IDCTR, 6.8uH
L1201	2480289M17	IDCTR, 27uH
L1202	2462587Q20	IDCTR, 2.2uH
L1204	Not Placed	
L1205	2462587N59	IDCTR, 330nH
L1206	2480289M17	IDCTR, 27uH
L1207	Not Placed	
L1302	2408382D19	IDCTR, 491nH
L1303	2480289M15	IDCTR, 18uH
L1304	2462587N66	IDCTR, 820nH

Circuit Ref	Motorola Part No.	Description
L1305	2480289M15	IDCTR, 18uH
L1306	2480289M15	IDCTR, 18uH
L1307	2480289M15	IDCTR, 18uH
L1309	2480289M15	IDCTR, 18uH
L1310	2462587N60	IDCTR, 390nH
L1311	2480289M15	IDCTR, 18uH
L1313	2408382D19	IDCTR, 491nH
L1314	2480289M17	IDCTR, 27uH
L1315	2462587N66	IDCTR, 820nH
L1316	2480289M17	IDCTR, 27uH
L1317	2480289M17	IDCTR, 27uH
L1318	2480289M17	IDCTR, 27uH
L1321	2462587N58	IDCTR, 270nH
L1322	2480289M17	IDCTR, 27uH
L1324	2480289M17	IDCTR, 27uH
L1401	Not Placed	
L1402	2462587U09	IDCTR, 4.7uH
L1403	2462587U09	IDCTR, 4.7uH
L1404	2462587N56	IDCTR, 180nH
L1405	Not Placed	
L1406	2408381X36	IDCTR, 250.974nH
L1408	2408384A10	IDCTR, 120nH
L1413	2408381X17	IDCTR, 88.470nH
L1414	2408381X17	IDCTR, 88.470nH
L1415	2460591X01	IDCTR, 18nH
L1416	2460591X01	IDCTR, 18nH
L1417	2460591X01	IDCTR, 18nH
L1418	2408381X12	IDCTR, 66.389nH
L1419	2480289M17	IDCTR, 27uH
L1420	2408381X29	IDCTR, 172.891nH
L1421	2408381X25	IDCTR, 137.876nH
L1422	2408381X22	IDCTR, 115.581nH
L1423	2408381X16	IDCTR, 81.930nH
L1424	Not Placed	
L1425	2460591X01	IDCTR, 18nH
L1426	2460591X01	IDCTR, 18nH
L1601	2483411T45	IDCTR, 47uH
L1602	2483411T45	IDCTR, 47uH
L1603	2483411T73	IDCTR, 1uH
L1604	2483411T45	IDCTR, 47uH
L1605	2483411T41	IDCTR, 22uH
L1606	2462587T30	IDCTR, 1uH
L1607	2462587T30	IDCTR, 1uH
M1401	2686201B01	HEATSINK
Q0110	4880048M01	DTC144EKA
Q0151	4880048M01	DTC144EKA
Q0171	4880048M01	DTC144EKA
Q0173	4880052M01	RXT-A28
Q0177	4880048M01	DTC144EKA
Q0181	4880048M01	DTC144EKA
Q0183	4880048M01	DTC144EKA

Circuit Ref	Motorola Part No.	Description
Q0185	4880048M01	DTC144EKA
Q0271	4880214G02	MMBT3904
Q0641	4880048M01	DTC144EKA
Q0661	4805921T02	FMC2A
Q0662	4880214G02	MMBT3904
Q0663	4880048M01	DTC144EKA
Q0681	4880052M01	RXT-A28
Q1001	4880182D44	MMBR951
Q1002	4813824A17	MMBT3906
Q1003	4813824A17	MMBT3906
Q1101	4813827A07	MMBR941
Q1102	4813823A05	MMBFU310L
Q1103	4813823A05	MMBFU310L
Q1104	4813823A05	MMBFU310L
Q1105	4880048M01	DTC144EKA
Q1106	4813827A07	MMBR941
Q1107	4880214G02	MMBT3904
Q1201	4813824A17	MMBT3906
Q1202	4880182D44	MMBR951
Q1303	4884235R02	MMBFU310
Q1304	4880182D44	MMBR951
Q1305	4880182D44	MMBR951
Q1306	4884235R02	MMBFU310
Q1307	4880182D44	MMBR951
Q1308	4880182D44	MMBR951
Q1401	4886212B01	MRF1518
Q1402	4886136B01	MRF1550
Q1403	4886136B01	MRF1550
Q1404	Not Placed	
Q1501	4880141L03	BCW68G
Q1502	4880214G02	MMBT3904
Q1503	4880214G02	MMBT3904
Q1504	4880214G02	MMBT3904
Q1505	4813824A17	MMBT3906
Q1506	4880214G02	MMBT3904
Q1601	4813824A17	MMBT3906
Q1602	4880048M01	DTC144EKA
Q1603	4880214G02	MMBT3904
Q1604	4880214G02	MMBT3904
Q1605	4880214G02	MMBT3904
Q1606	4813824A17	MMBT3906
Q1607	4880214G02	MMBT3904
Q1609	4813824A17	MMBT3906
Q1610	4805585Q17	NE25139
R0101	0662057A73	RES, 10K
R0102	0662057A65	RES, 4.7K
R0103	0662057A01	RES, 10
R0104	0662057A73	RES, 10K
R0105	0662057A97	RES, 100K
R0106	Not Placed	
R0107	Not Placed	

Circuit Ref	Motorola Part No.	Description
R0108	0662057A57	RES, 2.2K
R0110	Not Placed	
R0111	0662057B47	RES, 0
R0112	Not Placed	
R0113	0662057A73	RES, 10K
R0114	0662057A73	RES, 10K
R0115	0662057A73	RES, 10K
R0116	Not Placed	
R0117	0662057A63	RES, 3.9K
R0121	0662057A97	RES, 100K
R0131	0662057B46	RES, 10MEG
R0132	0662057B10	RES, 330K
R0151	0662057A82	RES, 24K
R0152	0662057A82	RES, 24K
R0170	0662057A73	RES, 10K
R0171	0662057A65	RES, 4.7K
R0172	0662057A73	RES, 10K
R0173	0662057A65	RES, 4.7K
R0174	0662057A73	RES, 10K
R0175	0662057A73	RES, 10K
R0176	0662057A84	RES, 30K
R0177	0662057A65	RES, 4.7K
R0178	0662057A89	RES, 47K
R0179	0662057A89	RES, 47K
R0181	0662057A65	RES, 4.7K
R0182	0662057A89	RES, 47K
R0183	0662057A65	RES, 4.7K
R0184	0662057A89	RES, 47K
R0185	0662057A65	RES, 4.7K
R0186	0662057A89	RES, 47K
R0201	0662057A25	RES, 100
R0202	0662057A43	RES, 560
R0203	0662057A25	RES, 100
R0204	0662057A43	RES, 560
R0205	0662057A73	RES, 10K
R0206	0662057A73	RES, 10K
R0207	0662057A57	RES, 2.2K
R0208	0662057A57	RES, 2.2K
R0211	0660076E70	RES, 7.5K
R0212	0660076E70	RES, 7.5K
R0220	Not Placed	
R0221	0662057A82	RES, 24K
R0222	0662057A82	RES, 24K
R0223	0662057A84	RES, 30K
R0224	0662057A71	RES, 8.2K
R0225	Not Placed	
R0226	Not Placed	
R0227	Not Placed	
R0228	0662057B47	RES, 0
R0229	0662057A01	RES, 10
R0241	0662057A89	RES, 47K

Circuit Ref	Motorola Part No.	Description
R0242	0662057B47	RES, 0
R0251	0662057A89	RES, 47K
R0252	0662057A91	RES, 56K
R0253	0662057A97	RES, 100K
R0254	0662057A73	RES, 10K
R0255	0662057A73	RES, 10K
R0256	0662057A97	RES, 100K
R0257	0662057A57	RES, 2.2K
R0261	0662057A73	RES, 10K
R0262	0662057B08	RES, 270K
R0265	0662057A82	RES, 24K
R0266	Not Placed	
R0267	0662057A89	RES, 47K
R0268	0662057A73	RES, 10K
R0269	0662057A41	RES, 470
R0273	0662057A82	RES, 24K
R0274	Not Placed	
R0275	0662057A73	RES, 10K
R0276	0662057A77	RES, 15K
R0323	Not Placed	
R0324	Not Placed	
R0331	Not Placed	
R0332	Not Placed	
R0333	Not Placed	
R0335	Not Placed	
R0341	Not Placed	
R0342	Not Placed	
R0343	Not Placed	
R0344	Not Placed	
R0345	Not Placed	
R0346	Not Placed	
R0347	Not Placed	
R0401	0662057A33	RES, 220
R0407	0662057M26	RES, 10
R0408	0662057A25	RES, 100
R0409	0662057M26	RES, 10
R0412	0662057B47	RES, 0
R0441	0662057B47	RES, 0
R0442	0662057A49	RES, 1K
R0467	0662057M26	RES, 10
R0468	0662057A97	RES, 100K
R0481	0662057B47	RES, 0
R0482	0662057B47	RES, 0
R0508	0662057A41	RES, 470
R0509	0662057B47	RES, 0
R0510	0662057A65	RES, 4.7K
R0511	0662057A97	RES, 100K
R0512	0662057A77	RES, 15K
R0525	0662057A97	RES, 100K
R0529	0662057A89	RES, 47K
R0530	0662057A81	RES, 22K

Circuit Ref	Motorola Part No.	Description
R0531	0662057A43	RES, 560
R0533	0662057B47	RES, 0
R0535	0662057A49	RES, 1K
R0537	0662057A33	RES, 220
R0538	0662057A33	RES, 220
R0539	0662057A65	RES, 4.7K
R0541	0662057A83	RES, 27K
R0542	Not Placed	
R0543	0662057A97	RES, 100K
R0555	0662057A25	RES, 100
R0556	0662057A25	RES, 100
R0591	0662057A82	RES, 24K
R0592	0662057A01	RES, 10
R0593	0662057A97	RES, 100K
R0611	0662057A91	RES, 56K
R0612	0662057A65	RES, 4.7K
R0621	0662057A82	RES, 24K
R0641	0662057A73	RES, 10K
R0642	0660076E70	RES, 7.5K
R0643	0660076E51	RES, 1.2K
R0651	0662057A01	RES, 10
R0652	0662057A01	RES, 10
R0661	0662057A49	RES, 1K
R0662	0662057B02	RES, 150K
R0671	0662057A84	RES, 30K
R0672	0662057A73	RES, 10K
R0681	0662057A79	RES, 18K
R0682	0662057A93	RES, 68K
R1001	0662057A05	RES, 15
R1002	0662057A05	RES, 15
R1003	0662057A41	RES, 470
R1004	0662057A59	RES, 2.7K
R1005	0662057A31	RES, 180
R1006	0662057A73	RES, 10K
R1007	0662057A71	RES, 8.2K
R1008	0662057A65	RES, 4.7K
R1009	Not Placed	
R1010	Not Placed	
R1011	Not Placed	
R1101	0662057A18	RES, 51
R1102	0662057A78	RES, 16K
R1103	0662057A39	RES, 390
R1104	0662057A71	RES, 8.2K
R1106	0662057A25	RES, 100
R1107	0662057A68	RES, 6.2K
R1108	0662057A61	RES, 3.3K
R1109	0662057A37	RES, 330
R1110	0662057A25	RES, 100
R1111	0662057A17	RES, 47
R1113	0662057A64	RES, 4.3K
R1114	0662057A64	RES, 4.3K

Circuit Ref	Motorola Part No.	Description
R1115	0662057A75	RES, 12K
R1116	Not Placed	
R1117	0662057A37	RES, 330
R1118	0662057A56	RES, 2K
R1119	0662057A83	RES, 27K
R1120	0662057A18	RES, 51
R1121	0662057A71	RES, 8.2K
R1122	0662057A73	RES, 10K
R1123	0662057A51	RES, 1.2K
R1124	Not Placed	
R1125	Not Placed	
R1126	Not Placed	
R1127	Not Placed	
R1128	0662057A73	RES, 10K
R1129	0662057A73	RES, 10K
R1130	0662057A73	RES, 10K
R1131	0662057A77	RES, 15K
R1132	0662057A58	RES, 2.4K
R1133	0662057A61	RES, 3.3K
R1134	0662057A05	RES, 15
R1135	0662057A20	RES, 62
R1136	0662057A45	RES, 680
R1137	0662057A75	RES, 12K
R1138	0662057A01	RES, 10
R1139	0611077A12	RES, 2.7
R1140	0662057A39	RES, 390
R1141	0662057A55	RES, 1.8K
R1201	0662057B47	RES, 0
R1202	Not Placed	
R1203	0662057B02	RES, 150K
R1204	0662057B47	RES, 0
R1205	0662057A45	RES, 680
R1206	0662057A41	RES, 470
R1207	Not Placed	
R1208	0662057A18	RES, 51
R1209	0662057A61	RES, 3.3K
R1210	0662057A33	RES, 220
R1211	0662057B14	RES, 470K
R1212	0662057A25	RES, 100
R1213	0662057A45	RES, 680
R1214	0662057A54	RES, 1.6K
R1215	0662057A21	RES, 68
R1216	0662057A18	RES, 51
R1217	0662057A25	RES, 100
R1218	0662057A17	RES, 47
R1219	0662057A17	RES, 47
R1220	0662057A17	RES, 47
R1221	0662057B47	RES, 0
R1222	Not Placed	
R1306	0662057B47	RES, 0
R1307	0662057A19	RES, 56

Circuit Ref	Motorola Part No.	Description
R1308	0662057A19	RES, 56
R1309	0662057A41	RES, 470
R1311	0662057A73	RES, 10K
R1312	0662057A51	RES, 1.2K
R1313	0662057A51	RES, 1.2K
R1314	0662057A37	RES, 330
R1315	0662057A61	RES, 3.3K
R1316	0662057A45	RES, 680
R1317	0662057A09	RES, 22
R1318	0662057A41	RES, 470
R1319	0662057A01	RES, 10
R1320	0662057A41	RES, 470
R1325	0662057B47	RES, 0
R1326	0662057A19	RES, 56
R1327	0662057A19	RES, 56
R1328	0662057A41	RES, 470
R1330	0662057A73	RES, 10K
R1331	0662057A51	RES, 1.2K
R1332	0662057A51	RES, 1.2K
R1333	0662057A37	RES, 330
R1334	0662057A61	RES, 3.3K
R1335	0662057A47	RES, 820
R1336	0662057A09	RES, 22
R1337	0662057A22	RES, 75
R1338	0662057A27	RES, 120
R1339	0662057A22	RES, 75
R1340	0662057A49	RES, 1K
R1341	0662057A25	RES, 100
R1342	0662057A25	RES, 100
R1343	0662057C55	RES, 150
R1344	0662057A49	RES, 1K
R1345	0662057A25	RES, 100
R1346	0662057A25	RES, 100
R1347	0662057C55	RES, 150
R1376	0662057A65	RES, 4.7K
R1402	0611079A64	RES, 390
R1404	0680194M18	RES, 51
R1405	0680194M18	RES, 51
R1406	0662057A73	RES, 10K
R1407	0662057A73	RES, 10K
R1409	0682089V01	RES, .01
R1410	0683962T52	RES, 130
R1411	0662057C99	RES, 10K
R1412	Not Placed	
R1413	0680194M01	RES, 10
R1414	0680194M01	RES, 10
R1415	Not Placed	
R1416	0680194M01	RES, 10
R1417	0680194M01	RES, 10
R1418	0680194M01	RES, 10
R1419	0680194M01	RES, 10

Circuit Ref	Motorola Part No.	Description
R1420	0680194M01	RES, 10
R1421	0680194M01	RES, 10
R1422	0680194M01	RES, 10
R1423	0680194M01	RES, 10
R1424	0662057D10	RES, 27K
R1425	0662057D10	RES, 27K
R1440	0662057A25	RES, 100
R1441	Not Placed	
R1442	0662057A25	RES, 100
R1443	0662057A49	RES, 1K
R1444	0662057A33	RES, 220
R1445	0662057A68	RES, 6.2K
R1446	Not Placed	
R1447	0662057B47	RES, 0
R1448	Not Placed	
R1449	0611079A64	RES, 390
R1450	0683962T71	RES, 820
R1451	0662057K31	RES, 180
R1453	0662057K31	RES, 180
R1454	0662057K31	RES, 180
R1455	0662057K31	RES, 180
R1457	0662057K01	RES, 10
R1458	0611079A64	RES, 390
R1459	0611079A64	RES, 390
R1460	0680106R01	RES, 0.1
R1463	0662057A75	RES, 12K
R1464	0662057A61	RES, 3.3K
R1465	0662057A61	RES, 3.3K
R1466	Not Placed	
R1467	Not Placed	
R1468	Not Placed	
R1469	0662057C01	RES, 0
R1470	Not Placed	
R1471	Not Placed	
R1472	0662057A73	RES, 10K
R1473	0680194M01	RES, 10
R1474	0680194M01	RES, 10
R1475	0680194M01	RES, 10
R1476	0680194M01	RES, 10
R1477	0662057A61	RES, 3.3K
R1478	0662057A73	RES, 10K
R1479	0662057A61	RES, 3.3K
R1480	0662057D10	RES, 27K
R1482	0662057B47	RES, 0
R1483	0662057A34	RES, 240
R1484	0662057A49	RES, 1K
R1501	0662057A45	RES, 680
R1502	0662057C67	RES, 470
R1503	0662057A61	RES, 3.3K
R1504	0662057A73	RES, 10K
R1505	0662057A69	RES, 6.8K

Circuit Ref	Motorola Part No.	Description
R1506	0662057A87	RES, 39K
R1507	0662057A49	RES, 1K
R1508	0662057R19	RES, 100
R1509	0662057P95	RES, 100K
R1510	Not Placed	
R1511	0662057P95	RES, 100K
R1512	Not Placed	
R1513	0662057C76	RES, 1.1K
R1514	0662057A97	RES, 100K
R1515	0662057A49	RES, 1K
R1516	0662057C71	RES, 680
R1517	0662057C71	RES, 680
R1518	0662057A61	RES, 3.3K
R1519	0662057C71	RES, 680
R1522	0662057A73	RES, 10K
R1523	Not Placed	
R1524	0662057C71	RES, 680
R1525	Not Placed	
R1526	0662057A97	RES, 100K
R1527	0662057A97	RES, 100K
R1528	0662057A80	RES, 20K
R1532	0662057A95	RES, 82K
R1533	0662057A73	RES, 10K
R1535	0662057C01	RES, 0
R1537	0662057A90	RES, 51K
R1541	0662057A68	RES, 6.2K
R1542	0662057A49	RES, 1K
R1543	0662057A49	RES, 1K
R1544	0662057A90	RES, 51K
R1545	0662057A65	RES, 4.7K
R1601	0662057A73	RES, 10K
R1602	0662057A65	RES, 4.7K
R1604	0662057A49	RES, 1K
R1605	0662057B10	RES, 330K
R1606	0662057B02	RES, 150K
R1607	0662057B19	RES, 750K
R1608	0662057A57	RES, 2.2K
R1609	0662057A73	RES, 10K
R1610	0662057A82	RES, 24K
R1611	0662057A49	RES, 1K
R1612	0662057A25	RES, 100
R1613	0662057A59	RES, 2.7K
R1614	0662057A49	RES, 1K
R1615	0662057A49	RES, 1K
R1616	0662057A33	RES, 220
R1617	0662057A57	RES, 2.2K
R1620	0662057A51	RES, 1.2K
R1621	0662057A68	RES, 6.2K
R1622	0662057A49	RES, 1K
R1626	0662057A18	RES, 51
R1627	0662057A73	RES, 10K

Circuit Ref	Motorola Part No.	Description
VR0504	4813830A40	MMBZ5257B
VR0505	4805656W09	MMQA20VT1
VR0509	4813830A40	MMBZ5257B
VR0510	4813830A40	MMBZ5257B
VR0537	4813830A15	MMBZ5232B
VR0541	4813830A27	MMBZ5244B
VR0601	4813832C77	TRANSIENT SUPPRESSOR
VR0621	4813830A15	MMBZ5232B
VR0671	Not Placed	
Y0131	4880113R19	CRYSTAL, 38.4 KHZ
Y1101	4880908W08	CRYSTAL, 10.245 MHZ
Y1102	9186145B02	DISCRIMINATOR, 455 KHZ
Y1201	4880114R04	CRYSTAL, 16.8 MHZ
Y1202	Not Placed	

Circuit Ref	Motorola Part No.	Description
R1628	0662057A55	RES, 1.8K
R1629	0662057A67	RES, 5.6K
R1630	0662057A53	RES, 1.5K
R1631	0662057A18	RES, 51
R1632	0662057A82	RES, 24K
R1633	Not Placed	
R1635	0662057B47	RES, 0
R1636	0662057A42	RES, 510
R1637	0662057A59	RES, 2.7K
R1638	0662057A55	RES, 1.8K
SH1201	Not Placed	
SH1202	Not Placed	
SH1301	Not Placed	
SH1302	2680473U01	VCO SHIELD
U0101	5102226J56	MC68HC11FLO
U0111	5102463J64	EEPROM
U0121	5186137B01	FLASH ROM
U0122	5185748L01	SRAM
U0141	5113805A30	REMUX
U0211	5183222M49	MC3403
U0221	5185130C53	ASFIC COMPANDER IC
U0251	5184704M60	MUX/DEMUX
U0271	5109699X01	AUDIO PA
U0301	Not Placed	
U0331	Not Placed	
U0341	Not Placed	
U0342	Not Placed	
U0351	Not Placed	
U0611	5183308X01	LM2941
U0641	5183308X01	LM2941
U0651	5113816A07	MC78M05
U0652	5113815A02	MC33064
U0653	Not Placed	
U1001	4809939C05	UMC5N
U1051	5108278X01	MIXER
U1101	5102463J52	MC74HC4066
U1102	5102463J52	MC74HC4066
U1103	5186144B01	SA616
U1201	5185963A27	FRACN SYNTHESIZER IC
U1250	5185963A33	LP2951
U1377	4809939C05	UMC5N
U1378	4809939C05	UMC5N
U1401	5185130C65	POWER CONTROL IC
U1402	5113818A03	MC33072
U1501	5185963A15	LM50
U1502	5109731C21	LM6142BIM
U1503	5185765B26	LDMOS PREDRIVER IC
U1601	5180929W01	MC1350
VR0151	4813830A15	MMBZ5232B
VR0501	4805656W09	MMQA20VT1
VR0503	4805656W09	MMQA20VT1

THIS PAGE INTENTIONALLY LEFT BLANK



MOTOROLA

GM338

Mobile Radios

VHF 45W Bipolar (136-174MHz)

Service Information

Computer Software Copyrights

The Motorola products described in this manual may include copyrighted Motorola computer programs stored in semiconductor memories or other media. Laws in the United States and other countries preserve for Motorola certain exclusive rights for copyrighted computer programs, including the exclusive right to copy or reproduce in any form, the copyrighted computer program. Accordingly, any copyrighted Motorola computer programs contained in the Motorola products described in this manual may not be copied or reproduced in any manner without the express written permission of Motorola. Furthermore, the purchase of Motorola products shall not be deemed to grant, either directly or by implication, estoppel or otherwise, any license under the copyrights, patents or patent applications of Motorola, except for the normal non-exclusive royalty-free license to use that arises by operation of law in the sale of a product.

Table of Contents

Section 1 Model Chart and Technical Specifications

1.0 GM338 Model Chart.....	1-1
2.0 Technical Specifications	1-1

Section 2 Theory of Operation

1.0 Introduction	2-1
2.0 VHF (136-174 MHz) Receiver.....	2-1
2.1 Receiver Front-End	2-1
2.2 Front-End Band-Pass Filters & Pre-Amplifier	2-2
2.3 First Mixer and 1st Intermediate Frequency (IF)	2-2
2.4 2nd Intermediate Frequency (IF) and Receiver Back End	2-3
3.0 Transmitter Power Amplifier (PA) 45 W	2-3
3.1 Power Controlled Stage.....	2-4
3.2 Pre Driver Stage	2-4
3.3 Driver Stage.....	2-4
3.4 Final Stage	2-4
3.5 Directional Coupler	2-4
3.6 Antenna Switch.....	2-5
3.7 Harmonic Filter	2-5
3.8 Power Control.....	2-5
4.0 Frequency Synthesis	2-6
4.1 Reference Oscillator	2-6
4.2 Fractional-N Synthesizer	2-6
4.3 Voltage Controlled Oscillator (VCO).....	2-7
4.4 Synthesizer Operation	2-8

Section 3 Troubleshooting Charts

1.0 Troubleshooting Flow Chart for Receiver	3-1
2.0 Troubleshooting Flow Chart for 45W Transmitter	3-3
3.0 Troubleshooting Flow Chart for Synthesizer.....	3-5
4.0 Troubleshooting Flow Chart for VCO.....	3-6

Section 4 VHF PCB/Schematics/Parts List

1.0	Allocation of Schematics and Circuit Boards	4-1
1.1	Controller Circuits	4-1
2.0	VHF 25-45W PCB / Schematics / Parts List	4-3
	VHF (136-174 MHz) 25-45W 8486140B13 Top Side	4-3
	VHF (136-174 MHz) 25-45W 8486140B13 Bottom Side	4-4
	VHF (136-174 MHz) Power Amplifier 25-45W	4-5
	VHF (136-174 MHz) FRACN	4-6
	VHF (136-174 MHz) Voltage Controlled Oscillator	4-7
	VHF (136-174 MHz) Receiver Front End	4-8
	VHF (136-174 MHz) IF	4-9
	VHF PCB 8486140B13 Parts List 25-45W	4-10

Section 1

MODEL CHART AND TECHNICAL SPECIFICATIONS

1.0 GM338 Model Chart

GM Series, VHF 136-174 MHz		
Model		Description
AZM25KKF9AA5		GM338 136-174 MHz 25-45W
	Item	Description
X	GCN6114_	GM338 Control Head Direct Mount
X	IMUD6011_	Tanapa WM 136-174 MHz 25-45W
X	RAD4198_	BNC 136-144 MHz, 1/4 Wave Roof Mount
X	RAD4199_	BNC 146-150.8 MHz, 1/4 Wave Roof Mount
X	RAD4200_	BNC 150.8-162 MHz, 1/4 Wave Roof Mount
X	RAD4201_	BNC 162-174 MHz, 1/4 Wave Roof Mount
X	RAD4202_	BNC 146-172 MHz, 3dB Gain Roof Mount
X	6804112J06	GM338 User Guide

x = Indicates one of each is required.

2.0 Technical Specifications

Data is specified for +25°C unless otherwise stated.

General Specifications	
Channel Capacity GM338	128
Power Supply	13.2Vdc (10.8 - 15.6Vdc)
Dimensions: H x W x D (mm) Depth excluding knobs	GM338 59mm x 179mm x 198mm (25 - 45W) (add 9mm for Volume Knob)
Weight GM338	1400 g
Sealing:	Withstands rain testing per MIL STD 810 C/D /E and IP54
Shock and Vibration:	Protection provided via impact resistant housing exceeding MIL STD 810-C/D /E
Dust, Salt & Fog	Protection provided via environment resistant housing exceeding MIL STD 810 C/D /E

Transmitter	VHF
*Frequencies - Full Bandsplit	VHF 136-174 MHz
Channel Spacing	12.5/20/25 kHz
Frequency Stability (-30°C to +60°C, +25° Ref.)	±2.5 ppm
Power	25-45W
Modulation Limiting	±2.5 @ 12.5 kHz ±4.0 @ 20 kHz ±5.0 @ 25 kHz
FM Hum & Noise	-40 dB @ 12.5kHz -45 dB @ 20/25kHz
Conducted/Radiated Emission (ETS)	-36 dBm <1 GHz -30 dBm >1 GHz
Adjacent Channel Power	-60 dB @ 12.5 kHz -70 dB @ 25 kHz
Audio Response (300 - 3000Hz)	+1 to -3 dB
Audio Distortion @1000Hz, 60% Rated Maximum Deviation	<3% typical

Receiver	VHF
*Frequencies - Full Bandsplit	VHF 136-174 MHz
Channel Spacing	12.5/20/25 kHz
Sensitivity (12 dB SINAD)	0.30 µV (0.22 µV typical)
Intermodulation (ETS)	>65 dB
Adjacent Channel Selectivity (ETS)	65 dB @ 12.5 kHz 75 dB @ 20 kHz 80 dB @ 25 kHz
Spurious Rejection (ETS)	75 dB @ 12.5 kHz 80 dB @ 20/25 kHz
Rated Audio	3W Internal 7.5W External 13W External
Audio Distortion @ Rated Audio	<3% typical
Hum & Noise	-40 dB @ 12.5 kHz -45 dB @ 20/25 kHz
Audio Response (300 - 3000Hz @ 20/25kHz) (300 - 2550Hz @ 12.5kHz)	+1 to -3 dB
Conducted Spurious Emission (ETS)	-57 dBm <1 GHz -47 dBm >1 GHz

*Availability subject to the laws and regulations of individual countries.

Section 2

THEORY OF OPERATION

1.0 Introduction

This Chapter provides a detailed theory of operation for the VHF circuits in the radio. For details of the theory of operation and troubleshooting for the the associated Controller circuits refer to the Controller Section of this manual.

2.0 VHF (136-174 MHz) Receiver

2.1 Receiver Front-End

The receiver is able to cover the VHF range from 136 to 174 MHz. It consists of four major blocks: front-end bandpass filters and pre-amplifier, first mixer, 1st IF, 2nd IF, and receiver back-end. Two varactor-tuned bandpass filters perform antenna signal pre-selection. A cross over quad diode mixer converts the signal to the first IF of 44.85 MHz. High-side injection is used..

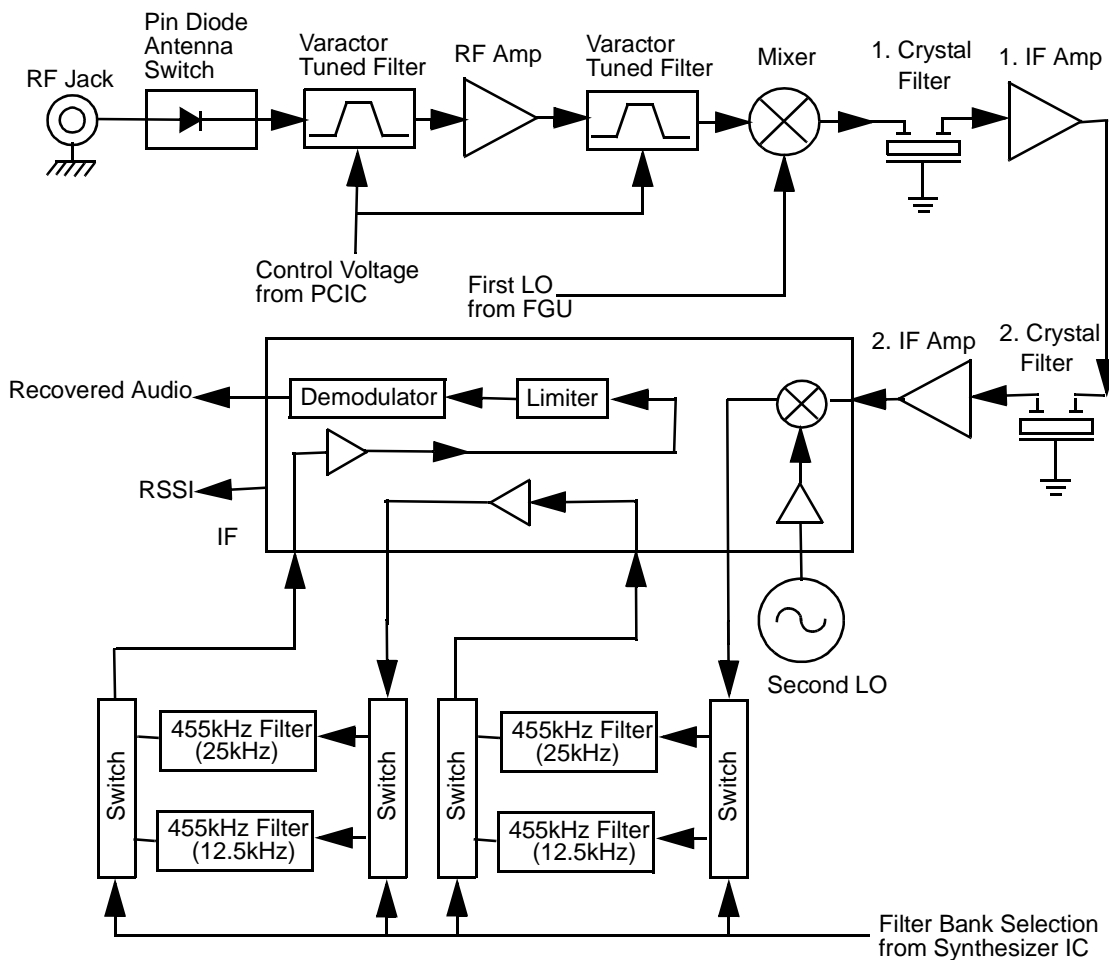


Figure 2-1 VHF Receiver Block Diagram

There are two 2-pole 44.85 MHz crystal filters in the 1st IF section and 2 pairs of 455 kHz ceramic filters in the 2nd IF section to provide the required adjacent channel selectivity. The correct pair of ceramic filters for 12.5 or 25kHz channel spacing is selected via control line BWSELECT. The second IF at 455 kHz is mixed, amplified and demodulated in the IF IC. The processing of the demodulated audio signal is performed by an audio processing IC located in the controller section.

2.2 Front-End Band-Pass Filters & Pre-Amplifier

The received signal from the radio's antenna connector is first routed through the harmonic filter and antenna switch, which are part of the RF power amplifier circuits, before being applied to the receiver pre-selector filter (C3001, C3002, D3001 and associated components). The 2-pole pre-selector filter tuned by the dual varactor diode D3001 pre-selects the incoming signal (RXIN) from the antenna switch to reduce spurious effects to following stages. The tuning voltage (FECTRL_1) ranging from 2 volts to 8 volts is controlled by pin 20 of PCIC (U3501) in the Transmitter section. A dual hot carrier diode (D3003) limits any inband signal to 0 dBm to prevent damage to the pre-amplifier.

The RF pre-amplifier is a surface mount device (SMD) Q3001 with collector-base feedback to stabilize gain, impedance, and intermodulation. Transistor Q3002 compares the voltage drop across resistor R3002 with a fixed base voltage from divider R3011, R3000 and R3012, and adjusts the base current of Q3001 as necessary to maintain its collector current constant at approximately 15-20 mA. Operating voltage is from the regulated 9.3V supply (9V3). During transmit, 9.1 volts (K9V1) turns off both transistors Q3002 and Q3001. This protects the RF pre-amplifier from excessive dissipation during transmit mode. A following 3dB pad (R3006 – R3008 and R3016 – R3018) stabilizes the output impedance and intermodulation performance.

A second 2-pole varactor tuned bandpass filter provides additional filtering of the amplified signal. The dual varactor diode D3004 is controlled by the same signal FECTRL_1, which controls the pre-selector filter.

2.3 First Mixer and 1st Intermediate Frequency (IF)

The signal coming from the front-end is converted to the 1st IF frequency of 44.85 MHz using a cross over quad diode mixer (D3031). Its ports are matched for incoming RF signal conversion to the 44.85 MHz IF using high side injection. The high-side injection signal (RXINJ) from the frequency synthesizer circuit has a level of approximately +13 dBm and is injected via matching transformer T3002.

The IF output signal (IF) from transformer T3001 pin 2 is fed to the first 2- pole crystal filter FL3101. The filter output in turn is matched to IF amplifier Q3101 which is actively biased by a collector base feedback (R3101, R3106) to a current drain of approximately 5 mA drawn from the 5 volt supply. Its output impedance is matched to the second 2-pole crystal filter FL3102. The signal is further amplified by a preamplifier (Q3102) before going into pin 1 of IFIC (U3101).

A dual hot carrier diode (D3101) limits the filter output voltage swing to reduce overdrive effects at RF input levels above -27 dBm.

2.4 2nd Intermediate Frequency (IF) and Receiver Back End

The 44.85 MHz 1st IF signal from the second IF amplifier feeds the IF IC (U3101) at pin1. Within the IF IC, the 44.85 MHz high IF signal mixes with the 44.395 MHz second local oscillator (2nd LO) to produce the 2nd IF signal at 455 kHz. The 2nd LO frequency is determined by crystal Y3101. The 2nd IF signal is amplified and filtered by an external pair of 455 kHz ceramic filters FL3112, FL3114 for 20/25 kHz channel spacing or FL3111, FL3113/F3115 for 12.5 kHz channel spacing. These pairs are selectable via BWSELECT. The filtered output from the ceramic filters is applied to the limiter input pin of the IF IC (pin 14).

The IF IC contains a quadrature detector using a ceramic phase-shift element (Y3102) to provide audio detection. Internal amplification provides an audio output level of 120 mV rms (at 60% deviation) from U3101 pin 8 (DISCAUDIO) which is fed to the ASFIC_CMP (U0221) pin 2 (part of the Controller circuits).

A received signal strength indicator (RSSI) signal is available at U3101, pin 5, having a dynamic range of 70 dB. The RSSI signal is interpreted by the μ P (U0101, pin 63) and in addition is available at accessory connector J0501-15.

3.0 Transmitter Power Amplifier (PA) 45 W

The radio's 45 W PA is a four-stage amplifier used to amplify the output from the VCOBIC to the radio transmit level. The line-up consists of three stages which utilize LDMOS technology, followed by a final stage using a bipolar device. The gain of the first stage (U3401) is adjustable, controlled by pin 4 of PCIC (U3501) via Q3501 and Q3502 (VCONT). It is followed by an LDMOS pre-driver stage (Q3421), an LDMOS driver stage (Q3431) and a bipolar final stage (Q3441).

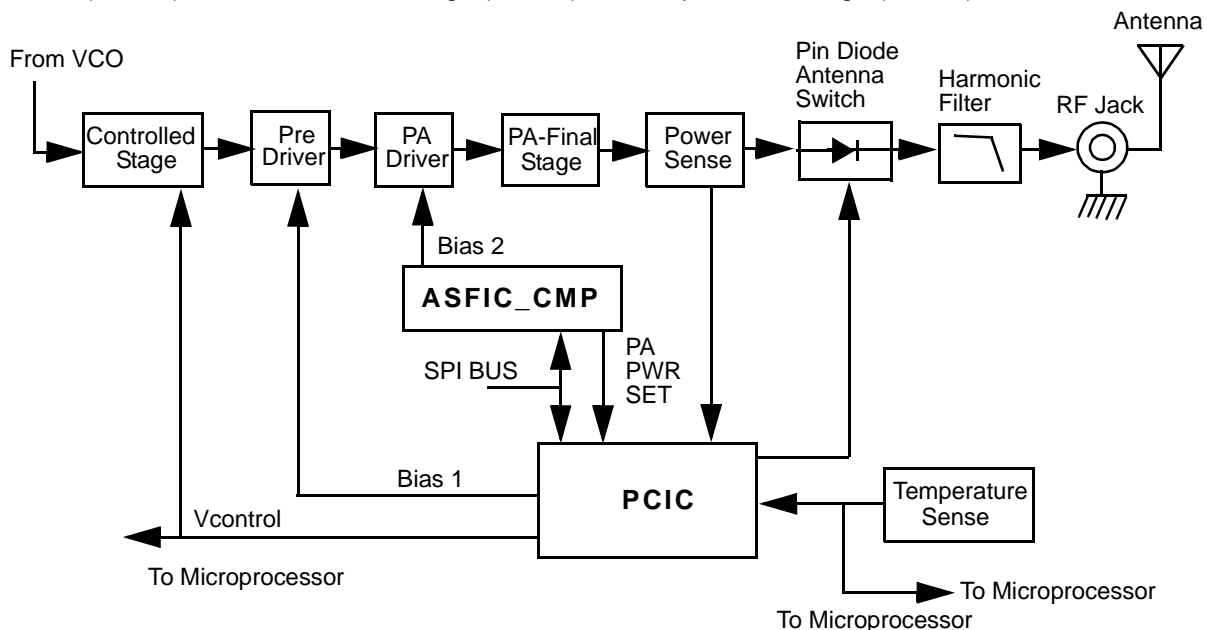


Figure 2-2 VHF Transmitter Block Diagram

Devices U3401 and Q3421 are surface mounted. The remaining devices are directly attached to the heat sink.

3.1 Power Controlled Stage

The first stage (U3401) is a 20 dB gain integrated circuit containing two LDMOS FET amplifier stages. It amplifies the RF signal from the VCO (TXINJ). The output power of stage U3401 is controlled by a dc voltage applied to pin 1 from the power control circuit (U3501 pin 4, with transistors Q3501 and Q3502 providing current gain and level-shifting). The control voltage simultaneously varies the bias of two FET stages within U3401. This biasing point determines the overall gain of U3401 and therefore its output drive level to Q3421, which in turn controls the output power of the PA.

In receive mode the voltage control line is at ground level and turns off Q3501-2, which in turn switches off the biasing voltage to U3401.

3.2 Pre Driver Stage

The next stage is an LDMOS device (Q3421) providing a gain of +13 dB. This device requires a positive gate bias and a quiescent current flow for proper operation. The voltage of the line PCIC_MOSBIAS_1 is set during transmit mode by the PCIC pin 24, and fed to the gate of Q3421 via the resistive network R3410, R3415, and R3416. The bias voltage is factory tuned.

3.3 Driver Stage

The following stage is an enhancement-mode N-Channel MOSFET device (Q3431) providing a gain of 10 dB. This device also requires a positive gate bias and a quiescent current flow for proper operation. The voltage of the line MOSBIAS_2 is set in transmit mode by the ASFIC and fed to the gate of Q3431 via the resistive network R3404, R3406, and R3431-5. This bias voltage is also tuned in the factory. If the transistor is replaced, the bias voltage must be tuned using the Customer Programming Software (CPS). Care must be taken not to damage the device by exceeding the maximum allowed bias voltage. The device's drain current is drawn directly from the radio's dc supply voltage input, PASUPVLTG, via L3431 and L3432.

3.4 Final Stage

The final stage uses bipolar device Q3441. The device's collector current is also drawn from the radio's dc supply voltage input. To maintain class C operation, the base is dc-grounded by a series inductor (L3441) and a bead (L3442). A matching network consisting of C3446-52, C3467, L3444-5, and two striplines, transforms the impedance to approximately 50 ohms and feeds the directional coupler.

3.5 Directional Coupler

The directional coupler is a microstrip printed circuit, which couples a small amount of the forward and reflected power delivered by Q3441. The coupled signals are rectified by D3451-2 and combined by R3463-4. The resulting dc voltage is proportional to RF output power and feeds the RFIN port of the PCIC (U3501, pin 1). The PCIC controls the gain of stage U3401 as necessary to hold this voltage constant, thus ensuring the forward power out of the radio to be held to a constant value.

An abnormally high reflected power level, such as may be caused by a damaged antenna, also causes the dc voltage applied to the PCIC to increase, and this will cause a reduction in the gain of U3401, reducing transmitter output power to prevent damage to the final device due to an improper load.

3.6 Antenna Switch

The antenna switch consists of two PIN diodes, D3471 and D3472. In the receive mode, both diodes are off. Signals applied at the antenna jack J3401 are routed, via the harmonic filter, through network L3472, C3474 and C3475, to the receiver input. In the transmit mode, the keyed 9 volts turns on Q3471 which enables current sink Q3472, set to 96 mA by R3473 and VR3471. This completes a dc path from PASUPVLTG, through L3473, D3471, L3477, L3472, D3472, L3471, R3474 and the current sink, to ground. Both diodes are forward biased into conduction. The transmitter RF from the directional coupler is routed via D3471 to the harmonic filter and antenna jack. D3472 also conducts, shunting RF power and preventing it from reaching the receiver port (RXIN). L3472 is selected to appear as a broadband quarter-wave transmission line, making the short circuit presented by D3472 appear as an open circuit at the junction of D3472 and the receiver path.

3.7 Harmonic Filter

Components L3491-L3494 and C3490-C3498 form a nine-pole Chebychev low-pass filter to attenuate harmonic energy of the transmitter. R3490 is used to drain electrostatic charge that might otherwise build up on the antenna. The harmonic filter also prevents high level RF signals above the receiver passband from reaching the receiver circuits, improving spurious response rejection.

3.8 Power Control

The transmitter uses the power control IC (PCIC, U3501) to control the power output of the radio. A portion of the forward and reflected RF power from the transmitter is sampled by the directional coupler, rectified and summed, to provide a dc voltage to the RFIN port of the PCIC (pin 1) which is proportional to the sampled RF power.

The ASFIC contains a digital to analog converter (DAC) which provides a reference voltage of the control loop to the PCIC via R3517. The reference voltage level is programmable through the SPI line of the PCIC. This reference voltage is proportional to the desired power setting of the transmitter, and is factory programmed at several points across the frequency range of the transmitter to offset frequency response variations of the transmitter's power detector circuit.

The PCIC provides a dc output voltage at pin 4 (INT) which is amplified and shifted in dc level by stages Q3501 and Q3502. The 0 to 4 Vdc range at U1503, pin 4 is translated to a 0 to 8.5 Vdc range at the output of Q3501, and applied as VCONT to the power-adjust input pin of the first transmitter stage U3401. This adjusts the transmitter power output to the intended value. Variations in forward or reflected transmitter power cause the dc voltage at pin 1 to change, and the PCIC adjusts the control voltage above or below its nominal value to raise or lower output power.

Capacitors C3502-4, in conjunction with resistors and integrators within the PCIC, control the transmitter power-rise (key-up) and power-decay (de-key) characteristic to minimize splatter into adjacent channels.

U3502 is a temperature-sensing device, which monitors the circuit board temperature in the vicinity of the transmitter driver and final devices, and provides a dc voltage to the PCIC (TEMP, pin 29) proportional to temperature. If the dc voltage produced exceeds the set threshold in the PCIC, the transmitter output power is reduced so as to reduce the transmitter temperature.

4.0 Frequency Synthesis

The frequency synthesizer subsystem consists of the reference oscillator (Y3261 or Y3262), the Low Voltage Fractional-N synthesizer (LVFRAC-N, U3201), and the voltage-controlled oscillators and buffer amplifiers (U3301, Q3301-2 and associated circuits).

4.1 Reference Oscillator

The reference oscillator (Y3262) contains a temperature compensated crystal oscillator with a frequency of 16.8 MHz. An analog-to-digital (A/D) converter internal to U3201 (LVFRAC-N) and controlled by the μ P via serial interface (SRL) sets the voltage at the warp output of U3201 (pin 25) to set the frequency of the oscillator. The output of the oscillator (U3262 pin 3) is applied to pin 23 (XTAL1) of U3201 via R3263 and C3235.

In applications where less frequency stability is required, the oscillator inside U3201 is used along with an external crystal Y3261, varactor diode D3261, C3261, C3262 and R3262. In this case, Y3262, R3263, C3235 and C3251 are not used. When Y3262 is used, Y3261, D3261, C3261, C3262 and R3262 are not used, and C3263 is increased to 0.1 μ F.

4.2 Fractional-N Synthesizer

The LVFRAC-N synthesizer IC (U3201) consists of a pre-scaler, a programmable loop divider, control divider logic, a phase detector, a charge pump, an A/D converter for low frequency digital modulation, a balance attenuator to balance the high frequency analog modulation and low frequency digital modulation, a 13 volt positive voltage multiplier, a serial interface for control, and finally a super filter for the regulated 5 volts.

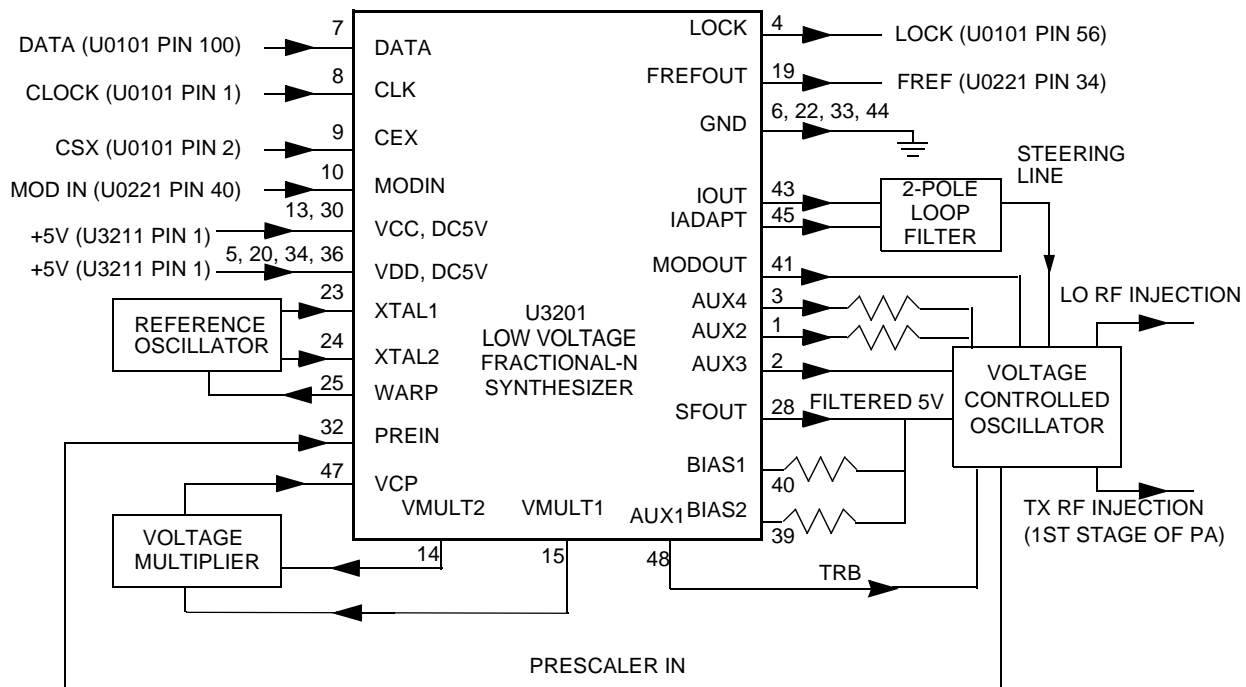


Figure 2-3 VHF Synthesizer Block Diagram

A voltage of 5V applied to the super filter input (U3201 pin 30) supplies an output voltage of 4.5 Vdc (VSF) at pin 28. It supplies the VCO, VCO modulation bias circuit (via R3363) and the synthesizer charge pump resistor network (R3251, R3252). The synthesizer supply voltage is provided by the 5V regulator U3211.

In order to generate a high voltage to supply the phase detector (charge pump) output stage at pin VCP (U3201-47), a voltage of 13 Vdc is being generated by the positive voltage multiplier circuits (D3201, C3202, C3203). This voltage multiplier is basically a diode capacitor network driven by two signals (1.05MHz) 180 degrees out of phase signals (U3201-14 and -15).

Output LOCK (U3201-4) provides information about the lock status of the synthesizer loop. A high level at this output indicates a stable loop. IC U3201 provides the 16.8 MHz reference frequency at pin 19.

The serial interface (SRL) is connected to the μ P via the data line DATA (U3201-7), clock line CLK (U3201-8), and chip enable line CSX (U3201-9).

4.3 Voltage Controlled Oscillator (VCO)

The Voltage Controlled Oscillator (VCO) consists of the VCO/Buffer IC (VCOBIC, U3301), the TX and RX tank circuits, the external RX buffer stages, and the modulation circuits.

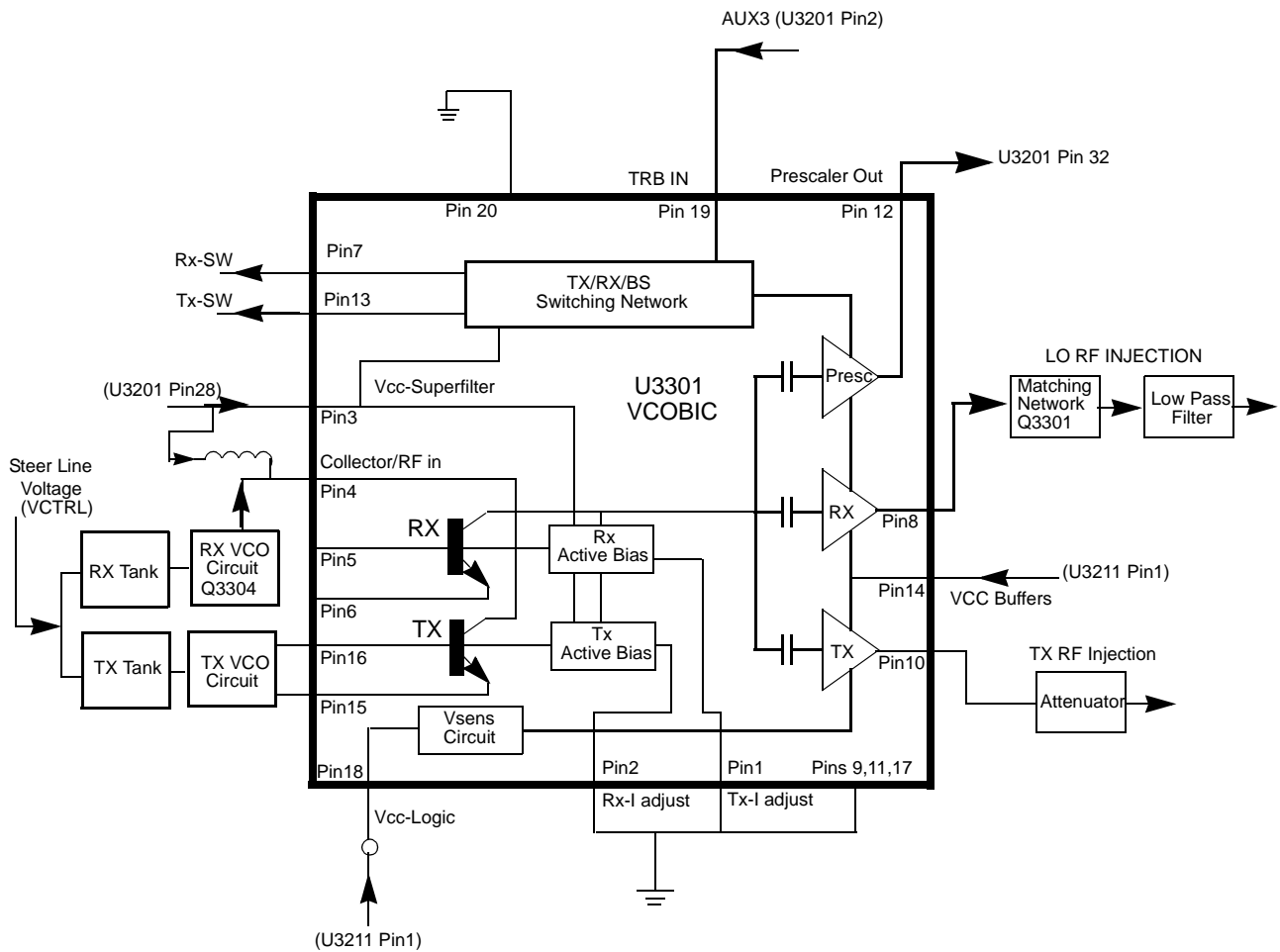


Figure 2-4 VHF VCO Block Diagram

The VCOBIC together with the Fractional-N synthesizer (U3201) generates the required frequencies in both the transmit and receive modes. The TRB line (U3301, pin 19) determines which tank circuits and internal buffers are to be enabled. A high level on TRB enables the TX tank and TX output (pin 10), and a low enables the RX tank and RX output (pin 8). A sample of the signal from the enabled RF output is routed from U3301, pin 12 (PRESC_OUT), via a low pass filter, to U3201, pin 32 (PREIN).

A steering line voltage (VCTRL) between 2.5 volts and 11 volts at varactor diode D3361 tune the full TX frequency range (TXINJ) from 136 MHz to 174 MHz, and varactor diode D3341 tunes the full RX frequency range (RXINJ) from 181 MHz to 219 MHz. The RX tank circuit uses a Hartley configuration for wider bandwidth. For the RX tank circuit, an external transistor Q3304 is used for better side-band noise.

The external RX buffers (Q3301 and Q3302) are enabled by a high at U3301, pin 7 (RX_SWITCH) via transistor switch Q3303. In the TX mode, the modulation signal (VCOMOD) from the LVFRAC-N synthesizer IC (U3201 pin 41) is applied to varactor diode D3362, which modulates the TX VCO frequency via capacitor C3362. Varactor D3362 is biased for linearity from the VSF.

4.4 Synthesizer Operation

The complete synthesizer subsystem consists of the low voltage FRAC-N (LVFRACN), reference oscillator (a crystal oscillator with temperature compensation), charge pump circuit, loop filter circuit and a dc supply. The output signal PRESC from the VCOBIC (U3301 pin 12) is fed to U3201 pin 32 (PREIN) via a low pass filter (C3318, L3318 and C3226) which attenuates harmonics and provides the correct level to close the synthesizer loop.

The pre-scaler in the synthesizer (U3201) is a dual modulus type with selectable divider ratios. The divider ratio of the pre-scaler is controlled by the loop divider, which in turn receives its inputs via the SRL. The output of the pre-scaler is applied to the loop divider. The output of the loop divider is connected to the phase detector, which compares the loop divider's output signal with the reference signal. The reference signal is generated by dividing down the signal of reference oscillator Y3261 or Y3262.

The output signal of the phase detector is a pulsed dc signal which is routed to the charge pump. The charge pump outputs a current at U3201 pin 43 (IOUT). The loop filter (which consists of R3221-R3223 and C3221-C3224) transforms this current into a voltage that is applied to the varactor diodes (D3361 for transmit, D3341 for receive) to alter the output frequency of the appropriate VCO. The current can be set to a value fixed within the LVFRAC-N IC, or to a value determined by the currents flowing into BIAS 1 (U3201-40) or BIAS 2 (U3201-39). The currents are set by the value of R3251 and R3252 respectively. The selection of the three different bias sources is done by software programming.

To reduce synthesizer lock time when new frequency data has been loaded into the synthesizer, the magnitude of the loop current is increased by enabling the IADAPT pin (U3201-45) for a certain software programmable time (adapt mode). The adapt mode timer is started by a low to high transient of the CSX line. When the synthesizer is within the lock range, the current is determined only by the resistors connected to BIAS 1 and BIAS 2, or by the internal current source. A settled synthesizer loop is indicated by a high level signal at U3201-4 (LOCK).

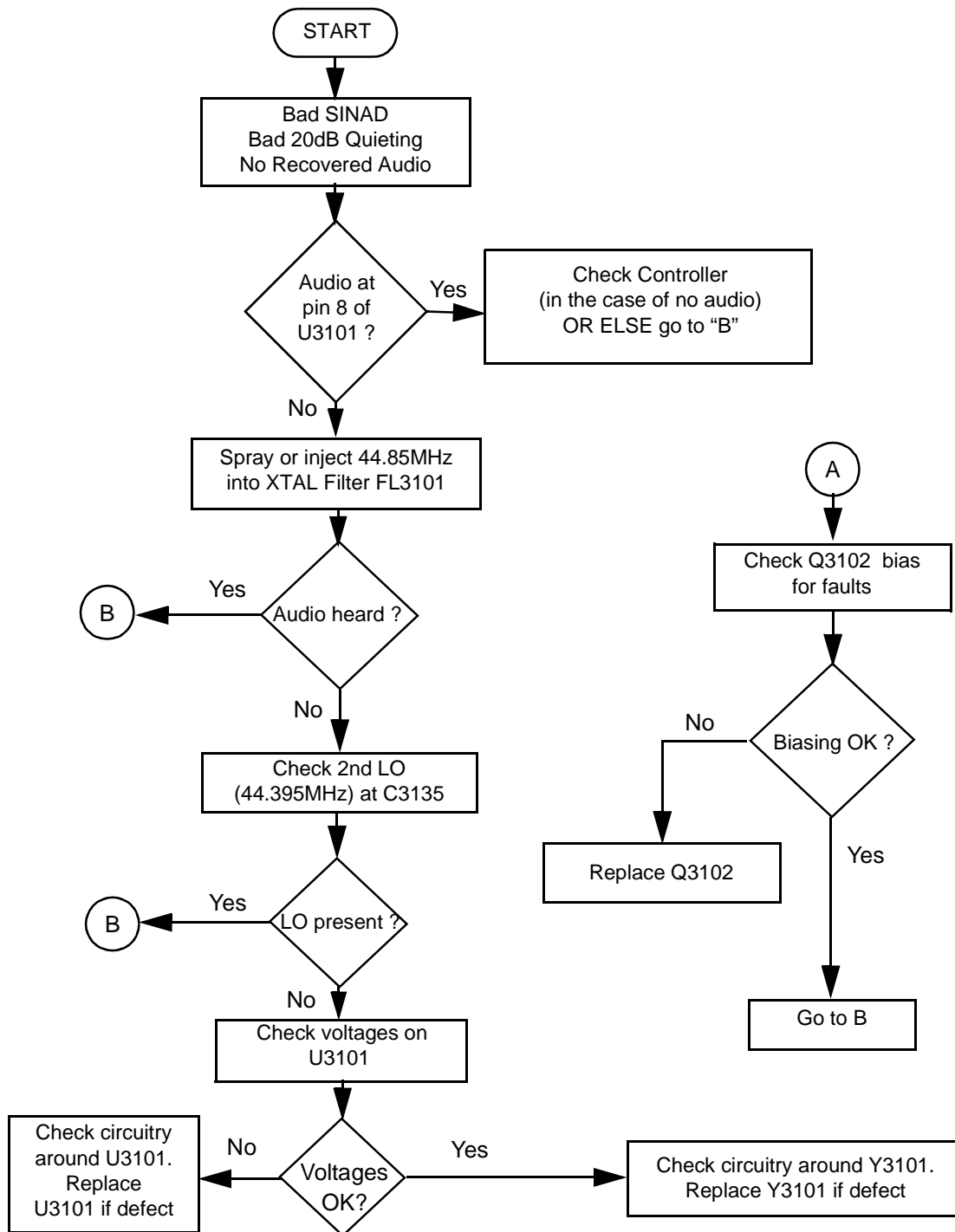
The LOCK signal is routed to one of the μP 's ADC inputs (U0101-56). From the measured voltage, the μP determines whether LOCK is active.

To modulate the PLL, the two spot modulation method is utilized. Via U3201, pin 10 (MODIN), the audio signal is applied to both the A/D converter (low frequency path) as well as the balance attenuator (high frequency path). The A/D converter changes the low frequency analog modulating signal into a digital code that is applied to the loop divider, thereby causing the carrier to deviate. The balance attenuator is used to adjust the VCO's deviation sensitivity to high frequency modulating signals. The output of the balance attenuator is present at the MODOUT port (U3201-41) and connected to the VCO modulation diode D3362 via R3364.

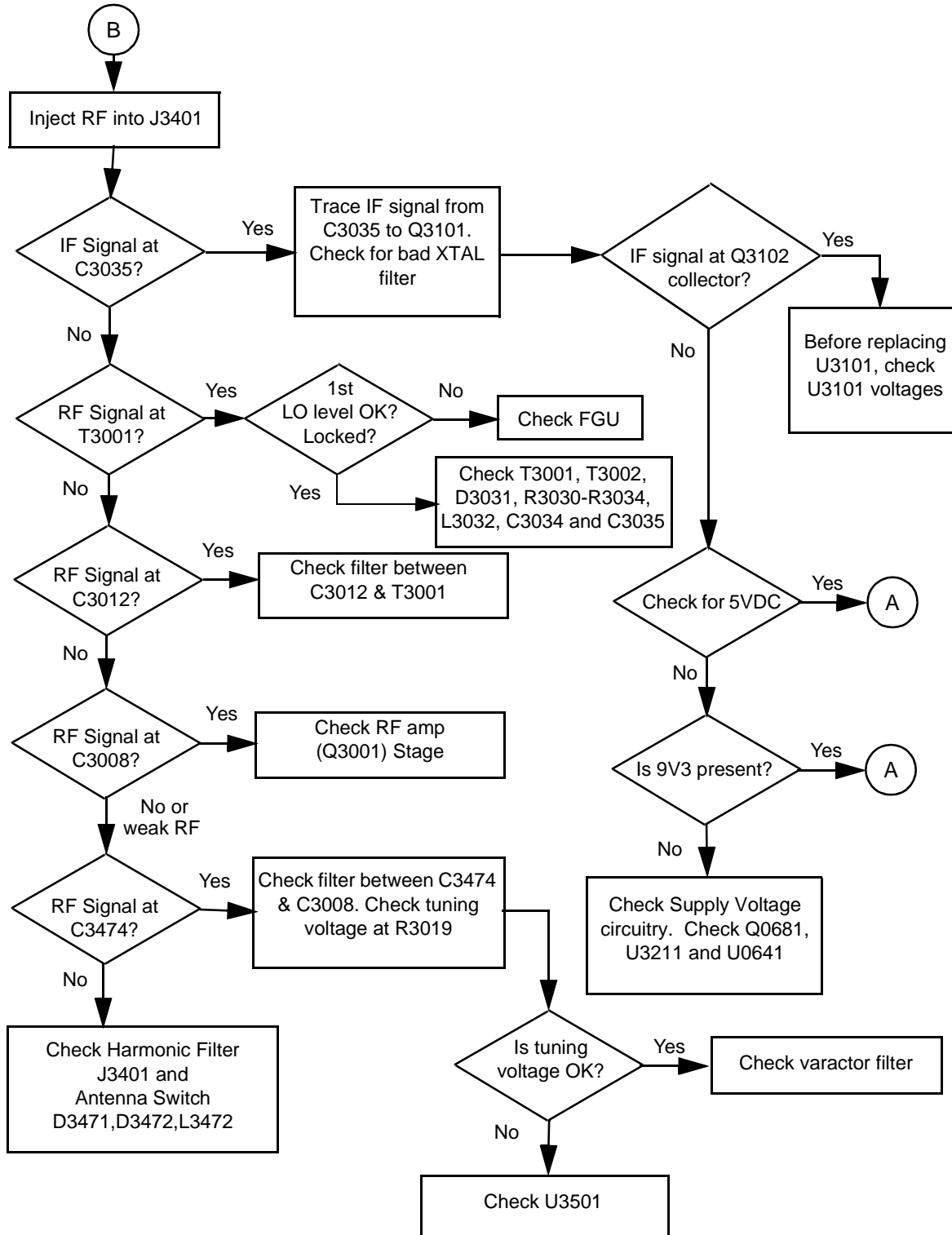
Section 3

TROUBLESHOOTING CHARTS

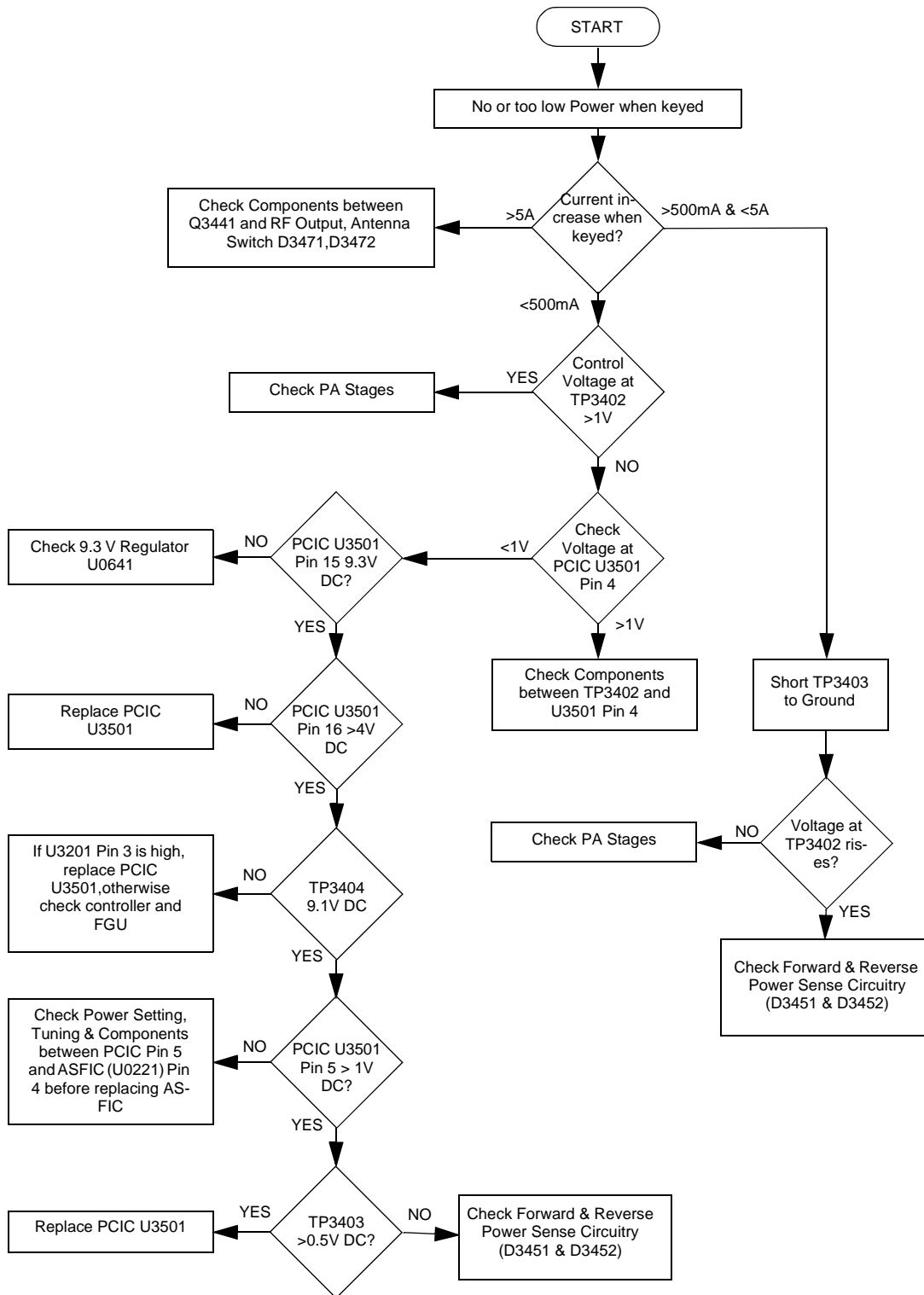
1.0 Troubleshooting Flow Chart for Receiver (Sheet 1 of 2)



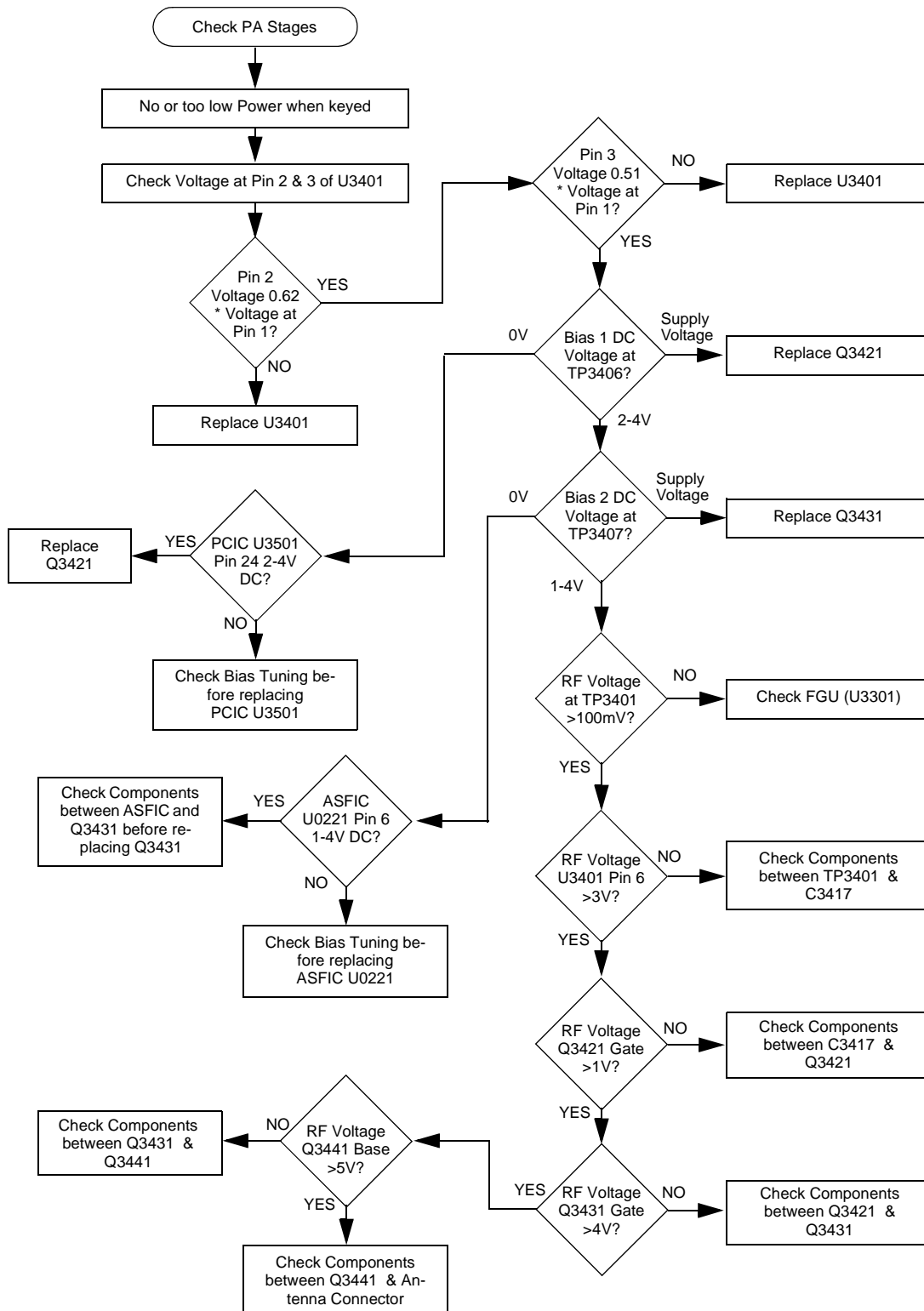
1.1 Troubleshooting Flow Chart for Receiver (Sheet 2 of 2)



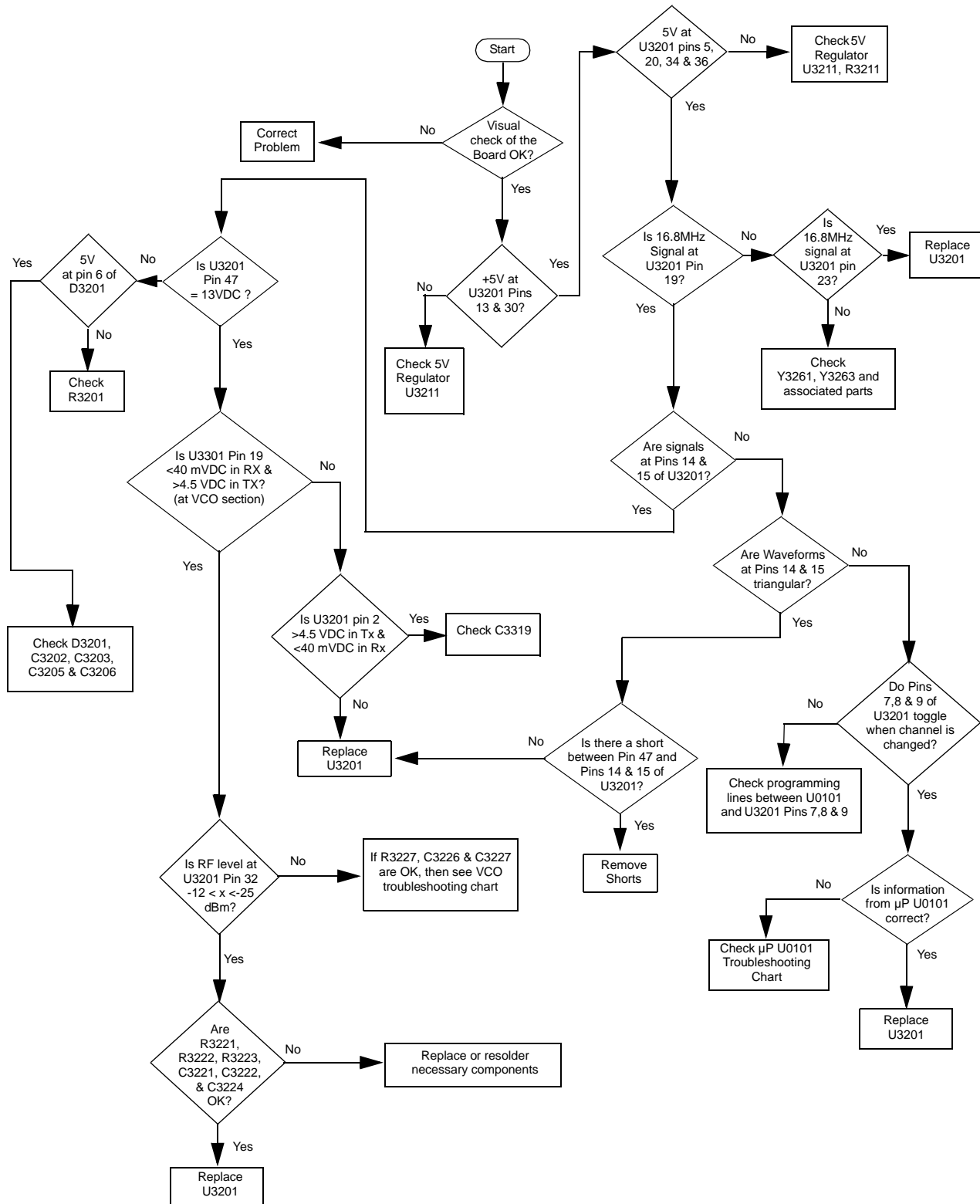
2.0 Troubleshooting Flow Chart for 45W Transmitter (Sheet 1 of 2)



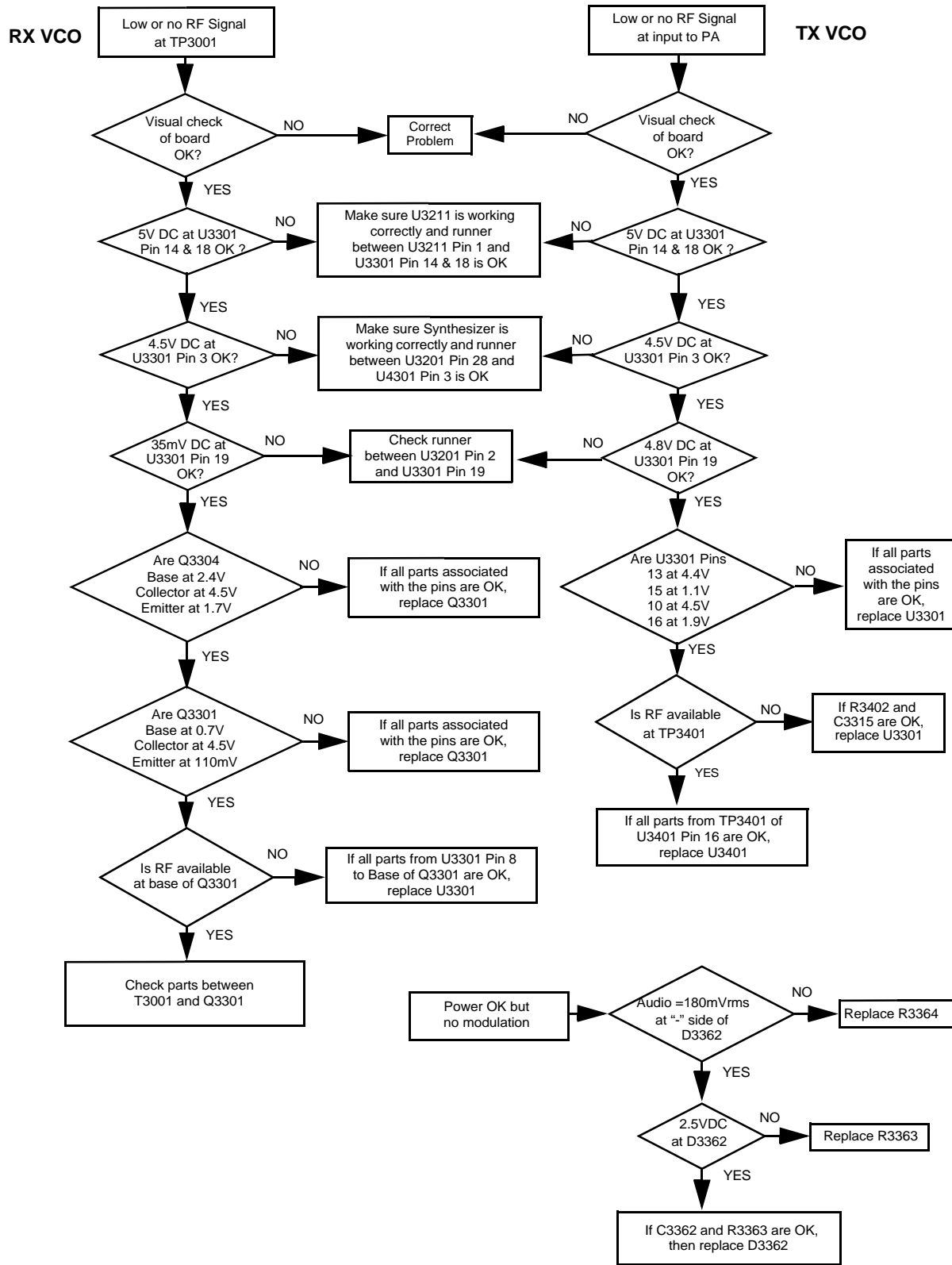
2.1 Troubleshooting Flow Chart for 45W Transmitter (Sheet 2 of 2)



3.0 Troubleshooting Flow Chart for Synthesizer



4.0 Troubleshooting Flow Chart for VCO



Section 4

VHF PCB/SCHEMATICS/PARTS LIST

1.0 Allocation of Schematics and Circuit Boards

1.1 Controller Circuits

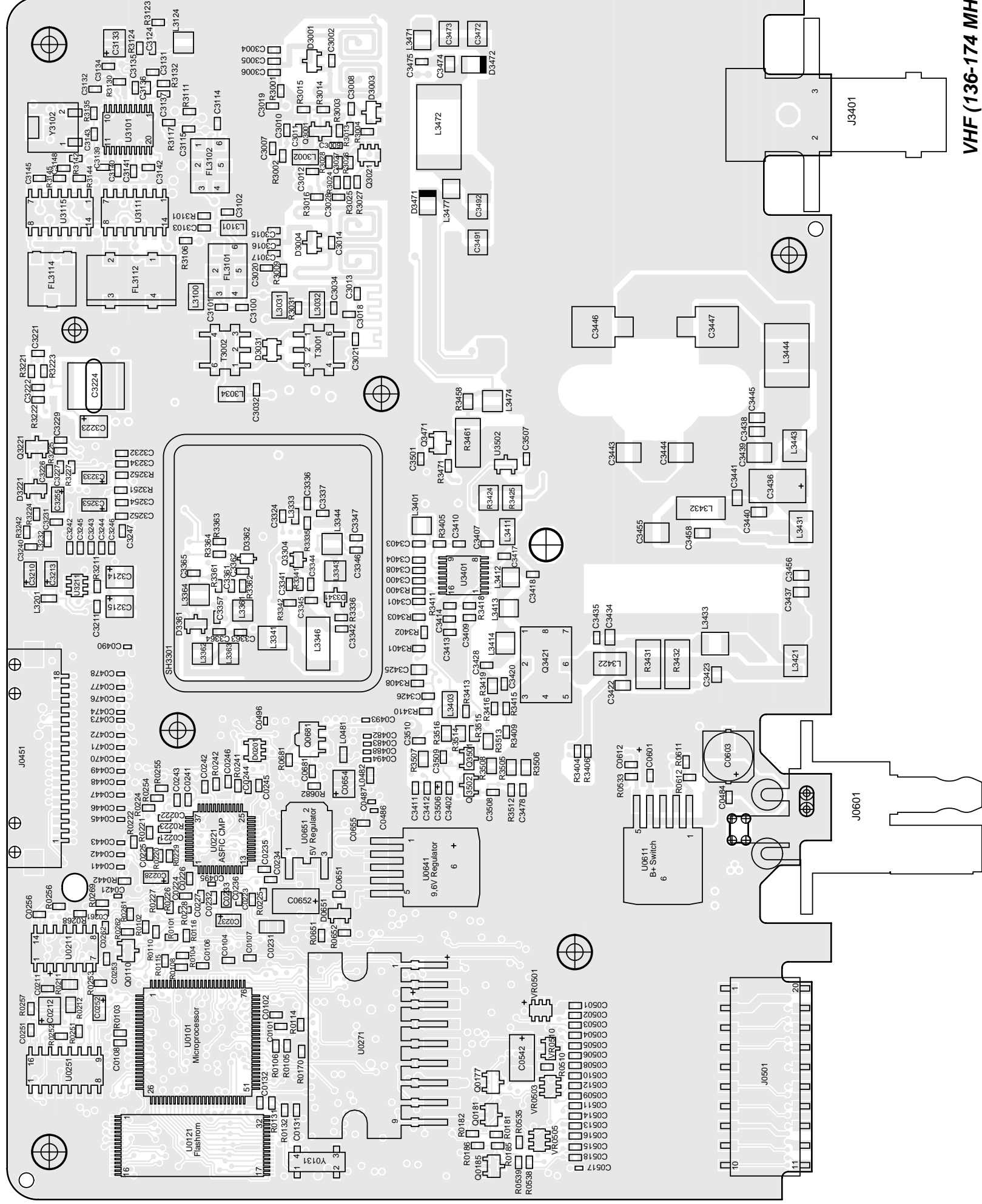
The VHF circuits are contained on the Printed Circuit Board (PCB) which also contains the Controller circuits. This Chapter shows the schematics for the VHF circuits only, refer to the Controller section for details of the related Controller circuits . The PCB component layouts and the Parts Lists in this Chapter show both the Controller and VHF circuit components. The VHF schematics and the related PCB and parts list are shown in the tables below.

Table 4-1 VHF 25-45W Diagrams and Parts Lists

PCB : 8486140B13 Main Board Top Side 8486140B13 Main Board Bottom Side	Page 4-3 Page 4-4
SCHEMATICS Power Amplifier 25 - 45W FRACN Voltage Controlled Oscillator Receiver Front End IF	Page 4-5 Page 4-6 Page 4-7 Page 4-8 Page 4-9
Parts List 8486140B13	Page 4-10

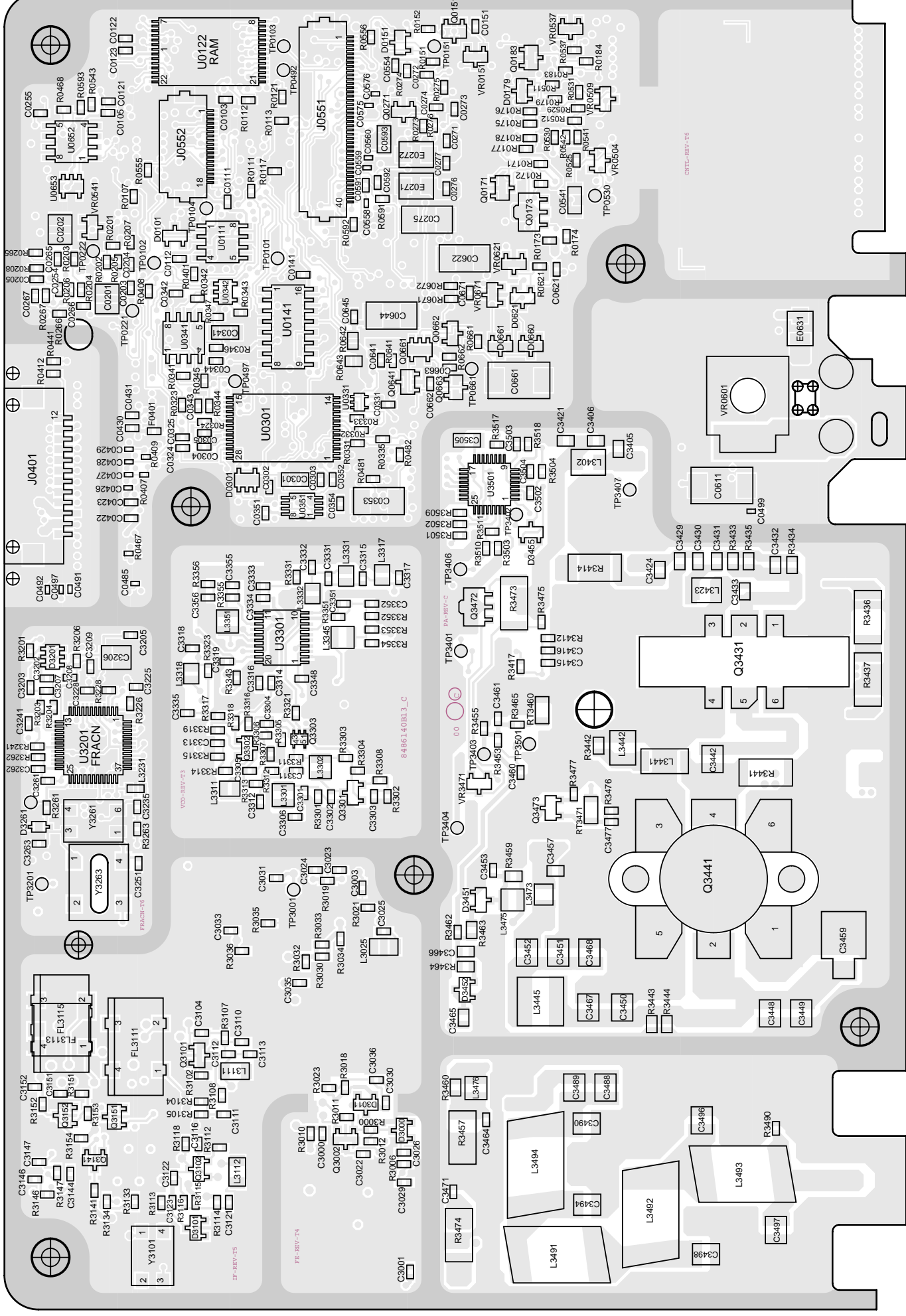
THIS PAGE INTENTIONALLY LEFT BLANK

2.0 VHF 25-45W PCB / Schematics / Parts List



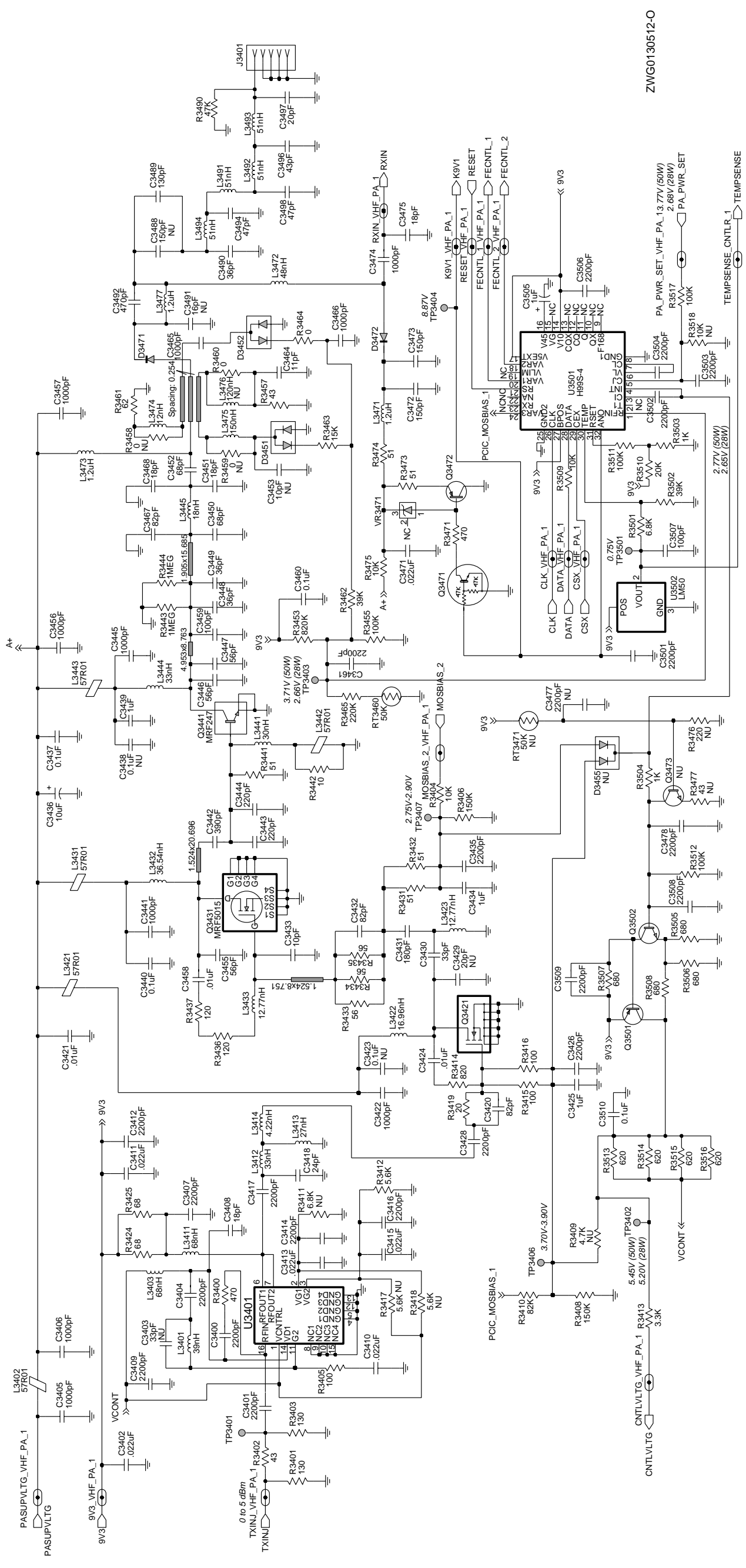
ZW60130589-O

VHF (136-174 MHz) 25-45W 8486140B13 Top Side



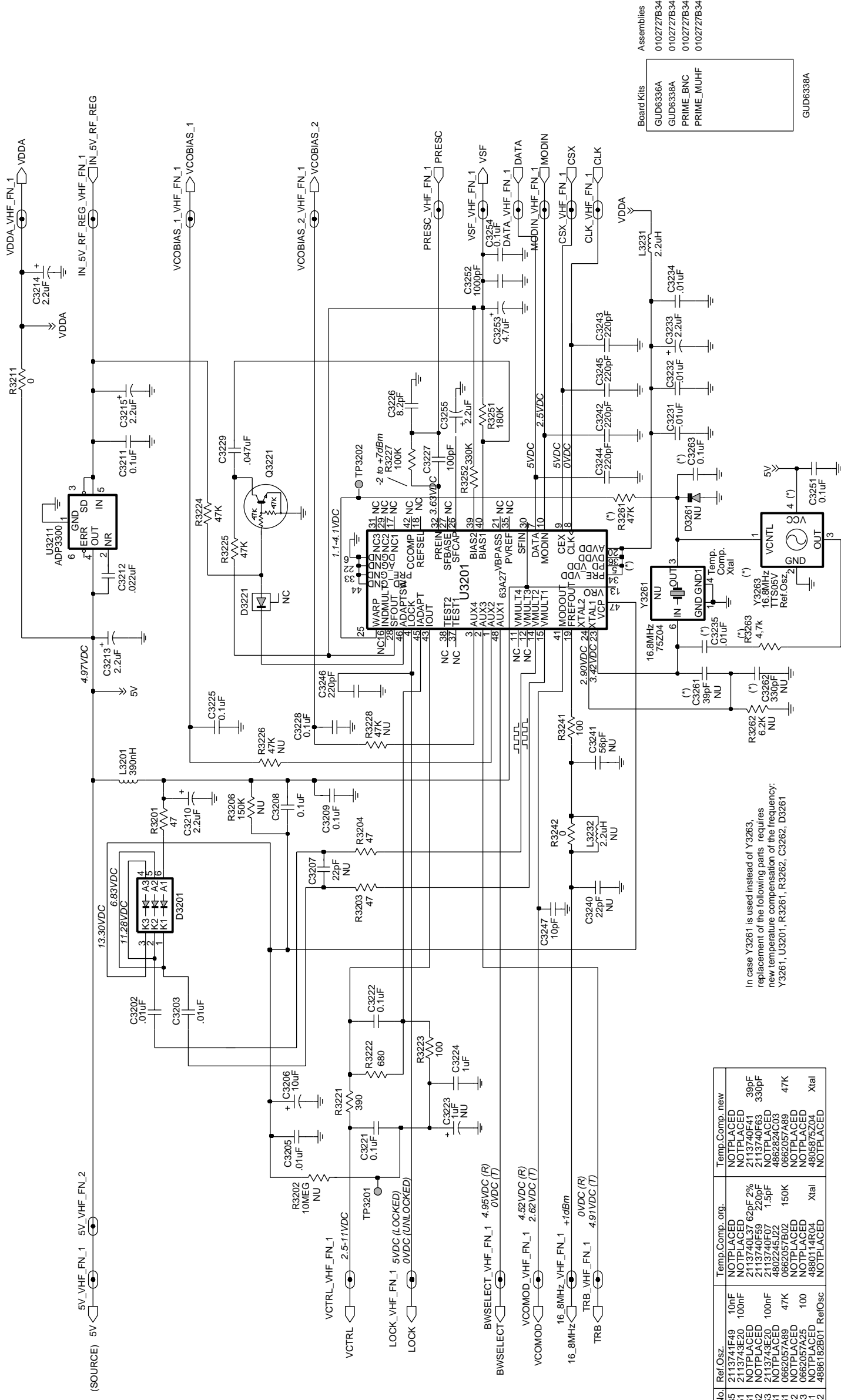
ZWG0130590-C

VHF (136-174 MHz) 25-45W 8486140B13 Bottom Side



ZWG0130512-O

VHF (136-174 MHz) Power Amplifier 25-45W



Ref.No.	Ref.Osz.	Temp.Comp. orig.	Temp.Comp. new
C3235	2113741F49	NOTPLACED	NOTPLACED
C3251	2113743E20	NOTPLACED	NOTPLACED
C3261	2113740F37	62pF 2%	39pF
C3262	2113740F59	220pF	330pF
C3263	2113740F07	1.5pF	NOTPLACED
D3261	4802245J22	150K	4862824C03
R3261	0662057A89	47K	0662057B02
R3262	NOTPLACED	NOTPLACED	NOTPLACED
R3263	NOTPLACED	NOTPLACED	NOTPLACED
Y3263	11S05V	100	11S05V
Y3261	489011AR01	Xtal	489011AR01
Y3262	4886182B01	RefOsc	NOTPLACED

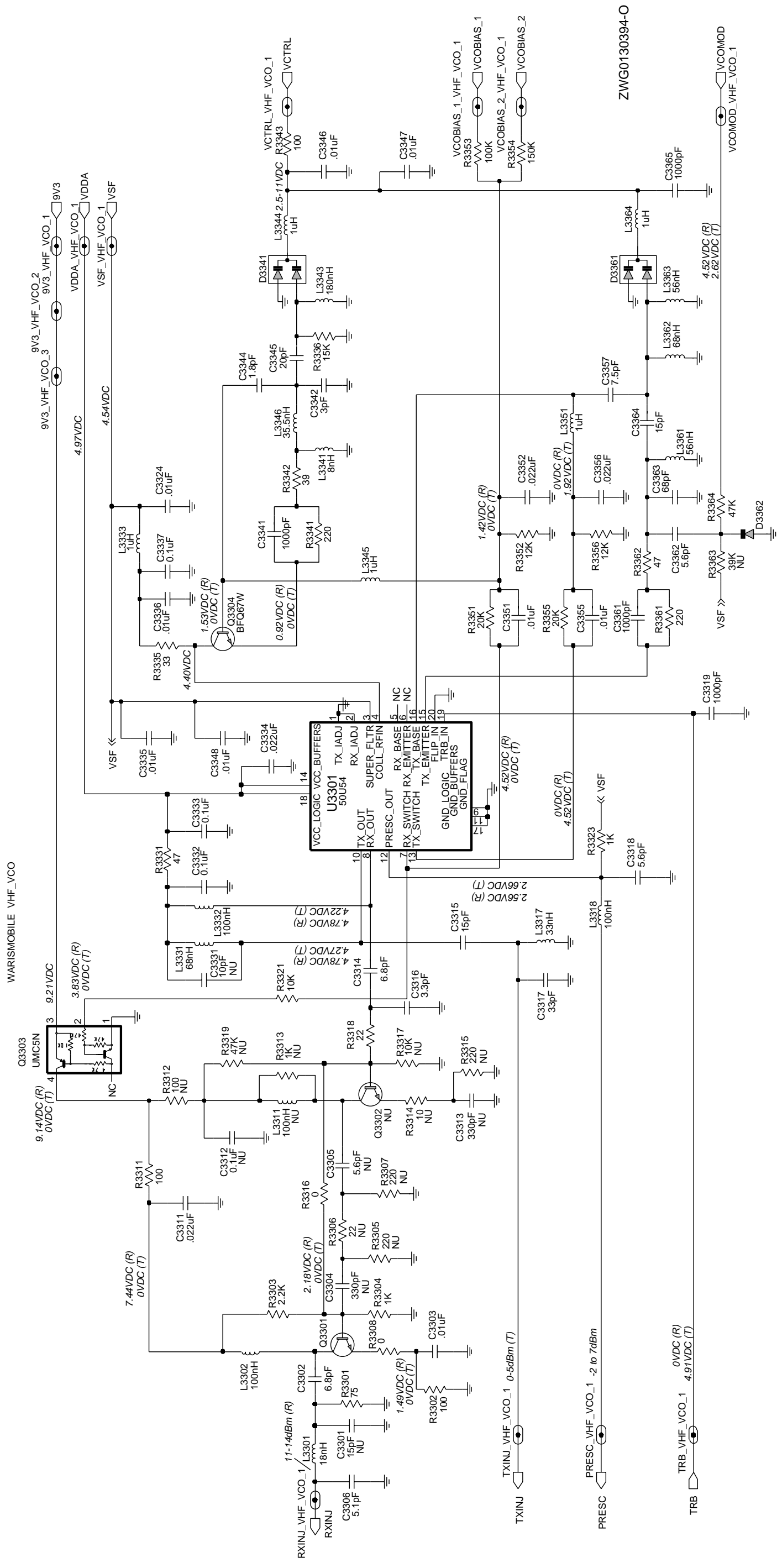
In case Y3261 is used instead of Y3263, replacement of the following parts requires new temperature compensation of the frequency:
Y3261, U3201, R3261, R3262, C3262, D3261

Board Kits	Assemblies
GUID6336A	0102727B34
GUID6338A	0102727B34
PRIME_BNC	0102727B34
PRIME_MUHF	0102727B34

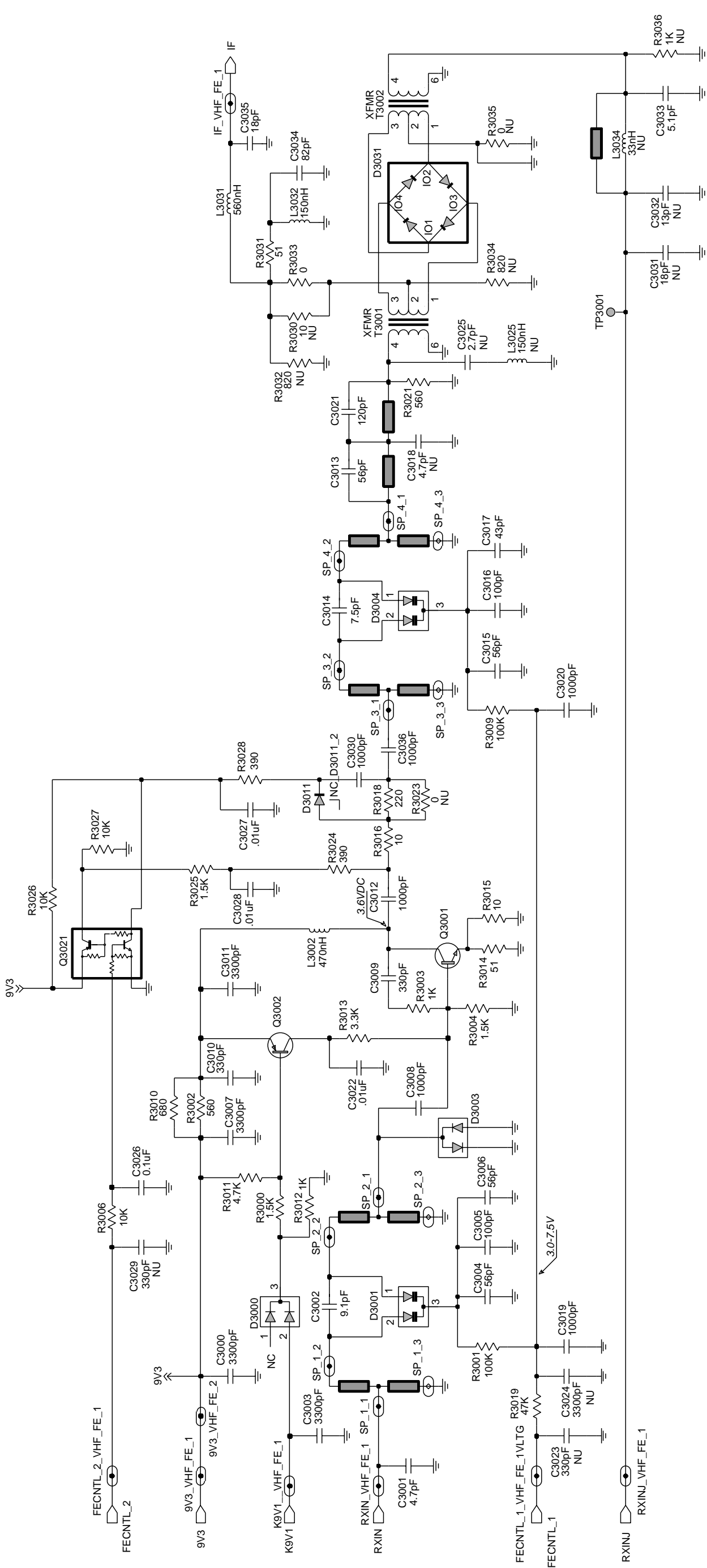
GUID6338A

ZWG0130564-C

HF (136-174 MHz) FRACN

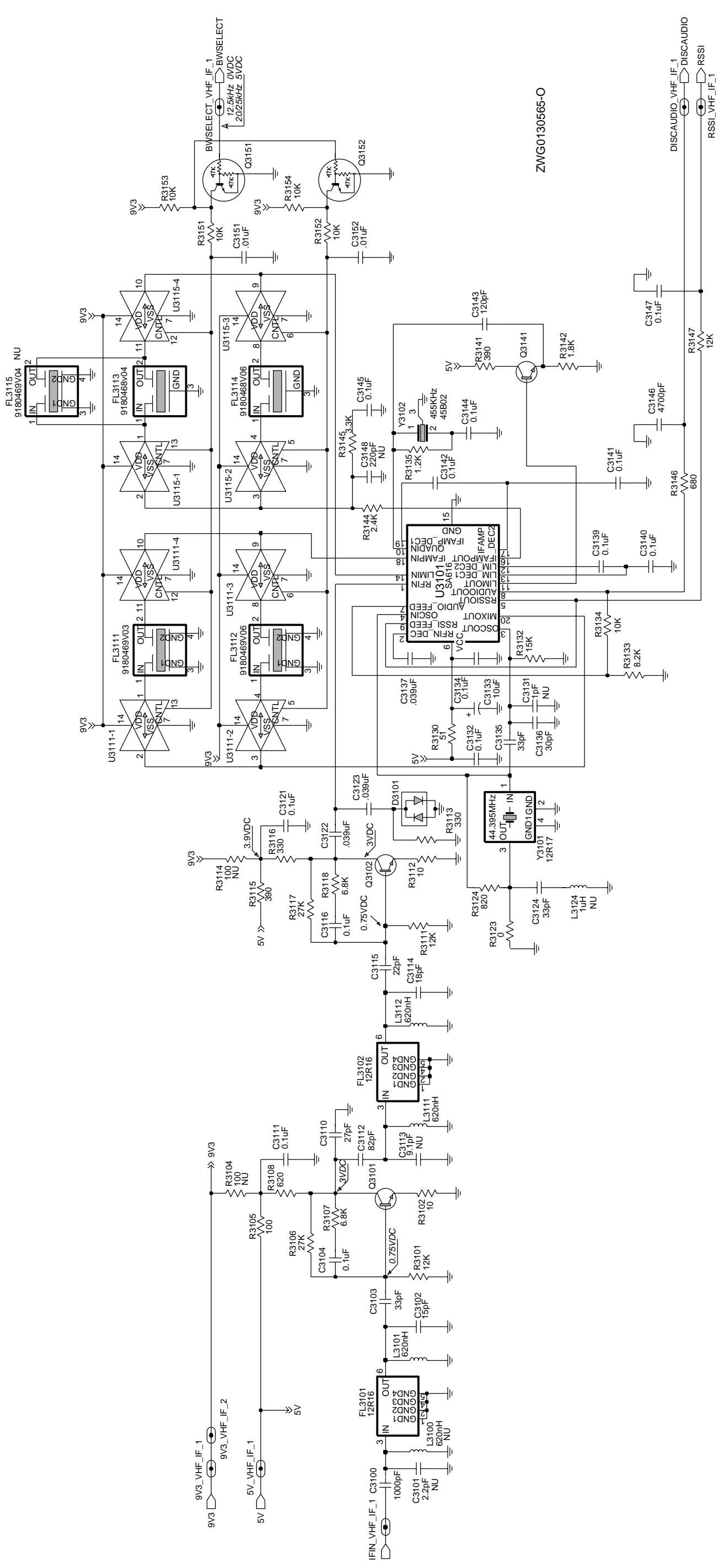


VHF (136-174 MHz) Voltage Controlled Oscillator



VHF (136-174 MHz) Receiver Front End

ZWVG0130395-A



ZWVG0130565-O

VHF (136-174 MHz) IF

VHF PCB 8486140B13 Parts List 25-45W

Circuit Ref	Motorola Part No.	Description
C3000	2113741F37	3.3nF 50V
C3001	2113740F19	4.7pF 5%
C3002	2113740F26	9.1pF 5%
C3003	2113741F37	3.3nF 50V
C3004	2113740F45	56pF 5%
C3005	2113740F51	100pF 5%
C3006	2113740F45	56pF 5%
C3007	2113741F37	3.3nF 50V
C3008	2113741F25	1nF 50V
C3009	2113741F13	330pF 50V
C3010	2113741F13	330pF 50V
C3011	2113741F37	3.3nF 50V
C3012	2113741F25	1nF 50V
C3013	2113740F45	56pF 5%
C3014	2113740F24	7.5pF 5%
C3015	2113740F45	56pF 5%
C3016	2113740F51	100pF 5% 50V
C3017	2113740F42	43pF 5% 50V
C3019	2113741F25	1nF 50V
C3020	2113741F25	1nF 50V
C3021	2113740F53	120pF 5% 50V
C3022	2113741F49	10nF 50V
C3026	2113743E20	100nF 16V
C3027	2113741F49	10nF 50V
C3028	2113741F49	10nF 50V
C3030	2113741F25	1nF 50V
C3033	2113740F20	5.1pF 5% 50V
C3034	2113740F49	82pF 5% 50V
C3035	2113740F33	18pF 5% 50V
C3036	2113741F25	1nF 50V
C3100	2113741F25	1nF 50V
C3102	2113740F31	15pF 5% 50V
C3103	2113740F39	33pF 5% 50V
C3104	2113743E20	100nF 16V
C3110	2113740F37	27pF 5% 50V
C3111	2113743E20	100nF 16V
C3112	2113740F49	82pF 5% 50V
C3114	2113740F33	18pF 5% 50V
C3115	2113740F35	22pF 5% 50V
C3116	2113743E20	100nF 16V
C3121	2113743E20	100nF 16V
C3122	2113743E11	39nF 10%
C3123	2113743E11	39nF 10%
C3132	2113743E20	100nF 16V
C3133	2311049A57	TANT CP 10uF 10% 16V
C3134	2113743E20	100nF 16V
C3135	2113740L30	33pF 2%
C3136	2113740L29	30pF 2%
C3137	2113743E11	39nF 10%
C3139	2113743E20	100nF 16V

Circuit Ref	Motorola Part No.	Description
C3140	2113743E20	100nF 16V
C3141	2113743E20	100nF 16V
C3142	2113743E20	100nF 16V
C3143	2113740F53	120pF 5% 50V
C3144	2113743E20	100nF 16V
C3145	2113743E20	100nF 16V
C3146	2113741F41	4.7nF 50V
C3147	2113743E20	100nF 16V
C3151	2113741F49	10nF 50V
C3152	2113741F49	10nF 50V
C3202	2113741F49	10nF 50V
C3203	2113741F49	10nF 50V
C3205	2113741F49	10nF 50V
C3206	2311049A57	TANT CP 10uF 10% 16V
C3208	2113743E20	100nF 16V
C3209	2113743E20	100nF 16V
C3210	2311049A40	TANT CP 2.2uF 10% 10V
C3211	2113743E20	100nF 16V
C3213	2311049A40	TANT CP 2.2uF 10% 10V
C3214	2311049A09	TANT CP 2.2uF 10% 20V
C3215	2311049A09	TANT CP 2.2uF 10% 20V
C3221	2113743E20	100nF 16V
C3222	2113743E20	100nF 16V
C3224	0882422W23	FILM SM 1.0uF 15V 5%
C3225	2113743E20	100nF 16V
C3226	2113740F25	8.2pF 5% 50V
C3227	2113740F51	100pF 5% 50V
C3228	2113743E20	100nF 16V
C3229	2113743E12	47nF 10%
C3231	2113741F49	10nF 50V
C3232	2113741F49	10nF 50V
C3233	2311049A40	TANT CP 2.2uF 10%
C3234	2113741F49	10nF 50V
C3235	2113741F49	10nF 50V
C3242	2113740F59	220pF 5% 50V
C3243	2113740F59	220pF 5% 50V
C3244	2113740F59	220pF 5% 50V
C3245	2113740F59	220pF 5% 50V
C3246	2113740F59	220pF 5% 50V
C3247	2113740F27	10pF 5% 50V
C3251	2113743E20	100nF 16V
C3252	2113741F25	1nF 50V
C3253	2311049A56	TANT CP 4.7uF 20% 10V
C3254	2113743E20	100nF 16V
C3255	2311049A40	TANT CP 2.2uF 10% 10V
C3263	2113743E20	100nF 16V
C3302	2113740F23	6.8pF 5% 50V
C3303	2113741F49	10nF 50V
C3306	2113740F20	5.1pF 5% 50V
C3311	2113743E07	22nF 16V
C3314	2113740F23	6.8pF 5% 50V

Circuit Ref	Motorola Part No.	Description
C3315	2113740F31	15pF 5% 50V
C3316	2113740F15	3.3pF 5% 50V
C3317	2113740F39	33pF 5% 50V
C3318	2113740F21	5.6pF 5% 50V
C3319	2113741F25	1nF 50V
C3324	2113741F49	10nF 50V
C3332	2113743E20	100nF 16V
C3333	2113743E20	100nF 16V
C3334	2113743E07	22nF 16V
C3335	2113741F49	10nF 50V
C3336	2113741F49	10nF 50V
C3337	2113743E20	100nF 16V
C3341	2113741F25	1nF 50V
C3342	2113740L05	3.0pF +/-0.1pF
C3344	2113740F09	1.8pF 5% 50V
C3345	2113740L25	20pF +/-0.25pF
C3346	2113741F49	10nF 50V
C3347	2113741F49	10nF 50V
C3348	2113741F49	10nF 50V
C3351	2113741F49	10nF 50V
C3352	2113743E07	22nF 16V
C3355	2113741F49	10nF 50V
C3356	2113743E07	22nF 16V
C3357	2113740F24	7.5pF 5% 50V
C3361	2113741F25	1nF 50V
C3362	2113740F21	5.6pF 5% 50V
C3363	2113740F47	68pF 5% 50V
C3364	2113740F31	15pF 5% 50V
C3365	2113741F25	1nF 50V
C3400	2113741F33	2.2nF 50V
C3401	2113741F33	2.2nF 50V
C3402	2113743E07	22nF 16V
C3404	2113741F33	2.2nF 50V
C3405	2113740A79	1nF 5% 50V
C3406	2113740A79	1nF 5% 50V
C3407	2113741F33	2.2nF 50V
C3408	2113740F33	18pF 5% 50V
C3409	2113741F33	2.2nF 50V
C3410	2113743E07	22nF 16V
C3411	2113743E07	22nF 16V
C3412	2113741F33	2.2nF 50V
C3413	2113743E07	22nF 16V
C3414	2113741F33	2.2nF 50V
C3415	2113743E07	22nF 16V
C3416	2113741F33	2.2nF 50V
C3417	2113741F33	2.2nF 50V
C3418	2113740F36	24pF 5% 50V
C3420	2113740F49	82pF 5% 50V
C3421	2113741A45	10nF 50V
C3422	2113740A79	1nF 5% 50V
C3424	2113741A45	10nF 50V

Circuit Ref	Motorola Part No.	Description
C3425	2113928E01	1uF 10% 10V
C3426	2113741F33	2.2nF 50V
C3428	2113741F33	2.2nF 50V
C3430	2113740A41	33pF 5% 50V
C3431	2113740A61	180pF 5% 50V
C3432	2113740A53	82pF 5% 50V
C3433	2113740A29	10pF 5% 50V
C3434	2113928E01	1uF 10% 10V
C3435	2113741F33	2.2nF 50V
C3436	2311049A45	TANT CP 10uF 10% 35V
C3437	2113741M69	0.1uF 50V
C3439	2113741W01	1uF 10% 25V
C3440	2113741M69	0.1uF 50V
C3441	2113740A79	1nF 5% 50V
C3442	2111078B57	HQ 390pF 5%
C3443	2111078B51	RF 220 5 NPO 100V
C3444	2111078B51	RF 220 5 NPO 100V
C3445	2113740A79	1nF 5% 50V
C3446	2180464E50	56pF 5% 250V
C3447	2180464E50	56pF 5% 250V
C3448	2111078B31	HQ 36pF 5%
C3449	2111078B31	HQ 36pF 5%
C3450	2111078B38	HQ 68pF 5%
C3451	2111078B20	HQ 18pF 5%
C3452	2111078B38	HQ 68pF 5%
C3455	2111078B36	HQ 56pF 5%
C3456	2113740A79	1nF 5% 50V
C3457	2113740A79	1nF 5% 50V
C3458	2113741A45	10nF 50V
C3459	2180464E16	100pF 5% 250V
C3460	2113743E20	100nF 16V
C3461	2113741F33	2.2nF 50V
C3464	2113740F28	11pF 5% 50V
C3465	2113740A79	1nF 5% 50V
C3466	2113740A79	1nF 5% 50V
C3467	2111078B40	HQ 82pF 5%
C3468	2111078B20	HQ 18pF 5%
C3471	2113743E07	22nF 16V
C3472	2111078B47	HQ 150pF 5%
C3473	2111078B47	HQ 150pF 5%
C3474	2113740A79	1nF 5% 50V
C3475	2113740F33	18pF 5% 50V
C3478	2113741F33	2.2nF 50V
C3489	2111078B45	HQ 130pF 5%
C3490	2111078B31	HQ 36pF 5%
C3492	2111078B59	HQ 470pF 5%
C3494	2111078B34	HQ 47pF 5%
C3496	2111078B33	HQ 43pF 5%
C3497	2111078B21	HQ 20pF 5%
C3498	2111078B34	HQ 47pF 5%
C3501	2113741F33	2.2nF 50V

Circuit Ref	Motorola Part No.	Description
C3502	2113741F33	2.2nF 50V
C3503	2113741F33	2.2nF 50V
C3504	2113741F33	2.2nF 50V
C3505	2311049A07	TANT CP 1uF 10% 16V
C3506	2113741F33	2.2nF 50V
C3507	2113740F51	100pF 5% 50V
C3508	2113741F33	2.2nF 50V
C3509	2113741F33	2.2nF 50V
C3510	2113743E20	100nF 16V
D3000	4813833C02	DUAL SOT MMBD6100
D3001	4805649Q13	VCTR 1SV228 SOT23
D3003	4880154K03	DUAL SCHOTTKY SOT23
D3004	4805649Q13	VCTR 1SV228 SOT23
D3011	4880142L01	PIN
D3031	4886143B01	MIXER DIODE CROSSOVER
D3101	4880154K03	DIODE DUAL SCHOTTKY
D3201	4802233J09	TRIPLE SOT143-RH
D3221	4880236E05	CHIP SCHOTTKY
D3341	4805649Q13	VCTR 1SV228 SOT23
D3361	4805649Q13	VCTR 1SV228 SOT23
D3362	4862824C01	VARIABLE CHIP
D3451	4882290T02	HOT CARRIER HSMS2802
D3452	4882290T02	HOT CARRIER HSMS2802
D3471	4802482J02	PIN MA/COM
D3472	4802482J02	PIN MA/COM
FL3101	9180112R16	44.85 MHZ XSTAL FLTR
FL3102	9180112R16	80dB
FL3111	9180469V03	CER FLTR 6EL 455 KHZ SMD
FL3112	9180469V06	CER FLTR 6EL 455 KHZ SMD
FL3113	9180468V04	CER FLTR 4EL 455 KHZ SMD
FL3114	9180468V06	CER FLTR 4EL 455 KHZ SMD
J3401	0986166B02	RF CONN MINI UHF
L3002	2462587T23	COIL CHIP 470nH
L3031	2462587T24	COIL CHIP 560nH
L3032	2462587T17	COIL CHIP 150nH
L3101	2462587T25	COIL CHIP 620nH
L3111	2462587T25	COIL CHIP 620nH
L3112	2462587T25	COIL CHIP 620nH
L3201	2462587Q42	IND CHIP 390nH 10%
L3231	2462587Q20	IND CHIP 2.2uH 20%
L3301	2462587N44	CHIP IND 18 NH 5%
L3302	2462587N53	CHIP IND 100 nH 5%
L3317	2462587V28	CHIP IND 33 NH 5%
L3318	2462587V34	IND CHIP 100nH 5%
L3331	2462587V32	CHIP IND 68NH 5%
L3332	2462587V15	IND CHIP 100nH 10%
L3333	2462587Q47	IND CHIP 1uH 10%
L3341	2484562T13	MINI-SPRING AW IND 8NH 2%

Circuit Ref	Motorola Part No.	Description
L3343	2462587N56	COIL CHIP 180nH 5%
L3344	2462587N68	CHIP IND 1 uH 5%
L3345	2462587N68	CHIP IND 1 uH 5%
L3346	2484562T18	MINI-SPRING AW IND 35.5NH 2%
L3351	2462587N68	CHIP IND 1 uH 5%
L3361	2462587N50	CHIP IND 56 nH 5%
L3362	2462587N51	CHIP IND 68 nH 5%
L3363	2462587N50	CHIP IND 56 nH 5%
L3364	2462587N68	CHIP IND 1 uH 5%
L3401	2462587X48	IND CHIP LO-PRO 39nH 5%
L3402	2484657R01	Ferrite Bead
L3403	2462587T13	COIL CHIP 68nH
L3411	2462587T13	COIL CHIP 68nH
L3412	2462587X47	IND CHIP LO-PRO 33.0 N
L3413	2462587X46	IND CHIP LO-PRO 27.0 N
L3414	2460591A01	SQUARE COIL 4.22nH 3T
L3421	2484657R01	Ferrite Bead
L3422	2460591C73	COIL AIRW 16.96nH 10%
L3423	2460591B73	SQUARE COIL 12.77nH 10%
L3431	2484657R01	Ferrite Bead
L3432	2460591F77	SQUARE COIL 35.5nH 10%
L3433	2460591B73	SQUARE COIL 12.77nH 10%
L3441	2460591E77	SQUARE COIL 30nH 10% 7T
L3442	2484657R01	Ferrite Bead
L3443	2484657R01	Ferrite Bead
L3444	2460591X03	COIL SQUARE 5 TNS
L3445	2460591X01	COIL SQUARE
L3471	2462587X69	IND CHIP 1.2uH 5%
L3472	2460591X05	COIL SQUARE 48nH 10%
L3473	2462587X69	IND CHIP 1.2uH 5%
L3474	2462587N42	CHIP IND 12nH 5%
L3475	2462587N55	CHIP IND 150nH 5%
L3477	2462587X69	IND CHIP 1.2uH 5%
L3491	2460592B01	COIL AW 51nH 4T
L3492	2460592B01	COIL AW 51nH 4T
L3493	2460592B01	COIL AW 51nH 4T
L3494	2460592B01	COIL AW 51nH 4T
Q3001	4813827A07	NPN SML SIG MMBR9
Q3002	4813824A17	PNP 40V .2A B=100-
Q3021	4805921T02	DUAL ROHM FMC2
Q3101	4813827A07	NPN SML SIG MMBR9
Q3102	4813827A07	NPN SML SIG MMBR9
Q3141	4813824A10	NPN 40V .2A B=50-150
Q3151	4880048M01	NPN DIG 47k/47k
Q3152	4880048M01	NPN DIG 47k/47k
Q3221	4880048M01	NPN DIG 47k/47k
Q3301	4813827A07	NPN SML SIG MMBR9

Circuit Ref	Motorola Part No.	Description
Q3303	4802245J50	DUAL NPN/PNP UMC5N
Q3304	4805218N63	RF TRANS SOT 323
Q3421	5105385Y91	BFAQ67W LDMOS PWR MODULE 16 CELL
Q3431	4805537W01	MRF5015 MOS1
Q3441	4884411L04	RF PWR TSTR MRF247 75W
Q3471	4880048M01	NPN DIG 47k/47k
Q3472	4805128M27	PNP SOT89 BSR33 LH
Q3501	4813824A17	PNP 40V .2A B=100-
Q3502	4813824A10	NPN 40V .2A B=50-150
R3000	0662057A53	1K5 1/16W 5%
R3001	0662057A97	100k 1/16W
R3002	0662057A43	560 1/16W 5%
R3003	0662057A49	1K 1/16W 5%
R3004	0662057A53	1K5 1/16W 5%
R3006	0662057A73	10K 1/16W 5%
R3009	0662057A97	100k 1/16W
R3010	0662057A45	680 OHMS 5%
R3011	0662057A65	4K7 1/16W 5%
R3012	0662057A49	1K 1/16W 5%
R3013	0662057A61	3K3 1/16W 5%
R3014	0662057A18	51 1/16W 5%
R3015	0662057A01	10 1/16W 5%
R3016	0662057A01	10 1/16W 5%
R3018	0662057A33	220 1/16W 5%
R3019	0662057A89	47K 1/16W 5%
R3021	0662057A43	560 1/16W 5%
R3024	0662057A39	390 1/16W 5%
R3025	0662057A53	1K5 1/16W 5%
R3026	0662057A73	10K 1/16W 5%
R3027	0662057A73	10K 1/16W 5%
R3028	0662057A39	390 1/16W 5%
R3031	0662057A18	51 1/16W 5%
R3033	0662057B47	0 1/16W
R3101	0662057A75	12k 1/16W 5%
R3102	0662057A01	10 1/16W 5%
R3105	0662057A25	100 1/16W 5%
R3106	0662057A83	27k 1/16W 5%
R3107	0662057A69	6k8 1/16W 5%
R3108	0662057A44	620 OHMS 5%
R3111	0662057A75	12k 1/16W 5%
R3112	0662057A01	10 1/16W 5%
R3113	0662057A37	330 1/16W 5%
R3115	0662057A39	390 1/16W 5%
R3116	0662057A37	330 1/16W 5%
R3117	0662057A83	27K 1/16W 5%
R3118	0662057A69	6k8 1/16W 5%
R3130	0662057A18	51 1/16W 5%
R3132	0662057A77	15k 1/16W 5%
R3133	0662057A71	8k2 1/16W 5%

Circuit Ref	Motorola Part No.	Description
R3134	0662057A73	10k 1/16W 5%
R3135	0662057A51	1k2 1/16W 5%
R3141	0662057A39	390 1/16W 5%
R3142	0662057A55	1k8 1/16W 5%
R3144	0662057A58	2k4 1/16W 5%
R3145	0662057A61	3k3 1/16W 5%
R3146	0662057A45	680 OHMS 5%
R3147	0662057A75	12k 1/16W 5%
R3151	0662057A73	10k 1/16W 5%
R3152	0662057A73	10k 1/16W 5%
R3153	0662057A73	10k 1/16W 5%
R3154	0662057A73	10k 1/16W 5%
R3201	0662057A17	47 1/16W 5%
R3203	0662057A17	47 1/16W 5%
R3204	0662057A17	47 1/16W 5%
R3211	0662057B47	0 1/16W
R3221	0662057A39	390 1/16W 5%
R3222	0662057A45	CHIP RES 680 OHMS 5%
R3223	0662057A25	100 1/16W 5%
R3224	0662057A89	47k 1/16W 5%
R3225	0662057A89	47k 1/16W 5%
R3227	0662057A97	100k 1/16W
R3241	0662057A25	100 1/16W 5%
R3242	0662057B47	0 1/16W
R3251	0662057B04	180k 1/16W 5%
R3252	0662057B10	330k 1/16W 5%
R3261	0662057A89	47k 1/16W 5%
R3263	0662057A65	4k7 1/16W 5%
R3301	0662057A22	75 1/16W 5%
R3302	0662057A25	100 1/16W 5%
R3303	0662057A57	2K2 1/16W 5%
R3304	0662057A49	1k 1/16W 5%
R3308	0662057B47	0 1/16W
R3311	0662057A25	100 1/16W 5%
R3316	0662057B47	0 1/16W
R3318	0662057A09	22 1/16W 5%
R3321	0662057A73	10k 1/16W 5%
R3323	0662057A49	1k 1/16W 5%
R3331	0662057A17	47 1/16W 5%
R3335	0662057A13	33 1/16W 5%
R3336	0662057A77	15k 1/16W 5%
R3341	0662057A33	220 1/16W 5%
R3342	0662057A15	39 1/16W 5%
R3343	0662057A25	100 1/16W 5%
R3351	0662057A80	20k 1/16W 5%
R3352	0662057A75	12k 1/16W 5%
R3353	0662057A97	100k 1/16W
R3354	0662057B02	150k 1/16W
R3355	0662057A80	20k 1/16W 5%
R3356	0662057A75	12k 1/16W 5%
R3361	0662057A33	220 1/16W 5%

Circuit Ref	Motorola Part No.	Description
R3362	0662057A17	47 1/16W 5%
R3364	0662057A89	47k 1/16W 5%
R3400	0662057A41	470 1/16W 5%
R3401	0662057A28	130 1/16W 5%
R3402	0662057A16	43 1/16W
R3403	0662057A28	130 1/16W
R3404	0662057A73	10k 1/16W
R3405	0662057A25	100 1/16W
R3406	0662057B02	150k 1/16W
R3408	0662057B02	150k 1/16W
R3410	0662057A95	82k 1/16W 5%
R3412	0662057A67	5k6 1/16W 5%
R3413	0662057A61	3k3 1/16W 5%
R3414	0683962T71	820 1W 5%
R3415	0662057A25	100 1/16W 5%
R3416	0662057A25	100 1/16W 5%
R3419	0662057C34	20 1/10W 5%
R3424	0662057K21	68 5% 1210
R3425	0662057K21	68 5% 1210
R3431	0680194M18	51 1W 5%
R3432	0680194M18	51 1W 5%
R3433	0662057C45	56 1/10W 5%
R3434	0662057C45	56 1/10W 5%
R3435	0662057C45	56 1/10W 5%
R3436	0683962T51	120 1W 5%
R3437	0683962T51	120 1W 5%
R3441	0680194M18	51 1W 5%
R3442	0662057C27	10R 1/10W 5%
R3443	0662057D48	1M 1/10W 5%
R3444	0662057D48	1M 1/10W 5%
R3453	0662057B20	820K 1/16W 5%
R3455	0662057A97	100k 1/16W
R3457	0680194M16	xx 1W 5%
R3460	0662057C01	0 1/10W 5%
R3461	0680194M20	62 1W 5%
R3462	0662057A87	39k 1/16W 5%
R3463	0662057D04	15kK 1/10W 5%
R3464	0662057C01	0 1/10W 5%
R3465	0662057B06	220k 1/16W
R3471	0662057A41	470 1/16W 5%
R3473	0680194M18	51 1W 5%
R3474	0680194M18	51 1W 5%
R3475	0662057A73	10k 1/16W 5%
R3490	0662057A89	47k 1/16W 5%
R3501	0662057A69	6k8 1/16W 5%
R3502	0662057A87	39k 1/16W 5%
R3503	0662057A49	1k 1/16W 5%
R3504	0662057A49	1k 1/16W 5%
R3505	0662057C71	680 1/10W 5%
R3506	0662057C71	680 1/10W 5%
R3507	0662057C71	680 1/10W 5%

Circuit Ref	Motorola Part No.	Description
R3508	0662057C71	680 1/10W 5%
R3509	0662057A73	10k 1/16W 5%
R3510	0662057A80	20k 1/16W 5%
R3511	0662057A97	100k 1/16W
R3512	0662057A97	100k 1/16W
R3513	0611079A69	6k8 1/16W 5%
R3514	0611079A69	6k8 1/16W 5%
R3515	0611079A69	6k8 1/16W 5%
R3516	0611079A69	6k8 1/16W 5%
R3517	0662057A97	100k 1/16W
RT3460	0605621T02	THERMISTOR CHIP
T3001	2508396X02	TRANSFORMER
T3002	2508397X02	TRANSFORMER
U3101	5186144B01	FM IF IC SA616
U3111	5113805A86	IC QUAD ANALOG MUX/ DEMUX
U3115	5113805A86	IC QUAD ANALOG MUX/ DEMUX
U3201	5185963A27	IC TESTED AT25016 48 PIN GFP
U3211	5105739X05	IC SOT 5V HI-PRECISION REGULAT
U3301	5105750U54	VCO BUFFER PKG DIE
U3401	5185130C65	IC VHF/UHF/800MHZ LDMOS DRIVER
U3501	5185765B01	IC POWER CONTROL
U3502	5185963A15	TEMP SENSOR 1M5
VR3471	4813830A15	5.6V 5% 225mW
Y3101	4880606B09	CRYSTAL 44.395 MHZ
Y3102	9186145B02	CERAMIC DISCRIMINATOR 455kHz
Y3263	4886182B01	VCTCXO 16.8MHz 2ppm TTSO5V
* Y3261	Not Used	16.8MHz 75Z04

* Motorola Depot Servicing only

Reference designators with an asterisk indicate components which are not fieldreplaceable because they need to be calibrated with specialized factory equipment after installation. Radios in which these parts have been replaced in the field will be off frequency at temperature extremes.



MOTOROLA

GM338

Mobile Radios

UHF1 40W Bipolar (403-470MHz)

Service Information

Computer Software Copyrights

The Motorola products described in this manual may include copyrighted Motorola computer programs stored in semiconductor memories or other media. Laws in the United States and other countries preserve for Motorola certain exclusive rights for copyrighted computer programs, including the exclusive right to copy or reproduce in any form, the copyrighted computer program. Accordingly, any copyrighted Motorola computer programs contained in the Motorola products described in this manual may not be copied or reproduced in any manner without the express written permission of Motorola. Furthermore, the purchase of Motorola products shall not be deemed to grant, either directly or by implication, estoppel or otherwise, any license under the copyrights, patents or patent applications of Motorola, except for the normal non-exclusive royalty-free license to use that arises by operation of law in the sale of a product.

Table of Contents

Section 1 Model Chart and Technical Specifications

1.0 GM338 Model Chart.....	1-1
2.0 Technical Specifications	1-1

Section 2 Theory of Operation

1.0 Introduction	2-1
2.0 UHF (403-470 MHz) Receiver	2-1
2.1 Receiver Front-End	2-1
2.2 Front-End Band-Pass Filters & Pre-Amplifier	2-2
2.3 First Mixer and 1st Intermediate Frequency (IF)	2-2
2.4 2nd Intermediate Frequency (IF) and Receiver Back End	2-3
3.0 Transmitter Power Amplifier (PA) 40 W	2-3
3.1 Power Controlled Stage.....	2-4
3.2 Pre Driver Stage	2-4
3.3 Driver Stage.....	2-4
3.4 Final Stage	2-4
3.5 Bi-Directional Coupler.....	2-5
3.6 Antenna Switch.....	2-5
3.7 Harmonic Filter	2-5
3.8 Power Control.....	2-5
4.0 Frequency Synthesis	2-6
4.1 Reference Oscillator	2-6
4.2 Fractional-N Synthesizer	2-7
4.3 Voltage Controlled Oscillator (VCO).....	2-8
4.4 Synthesizer Operation	2-9

Section 3 Troubleshooting Charts

1.0 Troubleshooting Flow Chart for Receiver	3-1
2.0 Troubleshooting Flow Chart for 40W Transmitter	3-3
3.0 Troubleshooting Flow Chart for Synthesizer.....	3-4
4.0 Troubleshooting Flow Chart for VCO.....	3-5

Section 4 UHF PCB/Schematics/Parts Lists

1.0	Allocation of Schematics and Circuit Boards	4-1
1.1	Controller Circuits	4-1
2.0	UHF 25-40W PCB / Schematics / Parts List	4-3
	UHF (403-470 MHz) 25-40W 8480643Z06 Top Side	4-3
	UHF (403-470 MHz) 25-40W 8480643Z06 Bottom Side	4-4
	UHF (403-470 MHz) Power Amplifier 25-40W	4-5
	UHF (403-470 MHz) FRACN	4-6
	UHF (403-470 MHz) Voltage Controlled Oscillator	4-7
	UHF (403-470 MHz) Receiver Front End	4-8
	UHF (403-470 MHz) IF	4-9
	UHF PCB 8480643Z06 Parts List 25-40W	4-10

Section 1

MODEL CHART AND TECHNICAL SPECIFICATIONS

1.0 GM338 Model Chart

GM Series, UHF Band 1, 403-470 MHz		
Model		Description
AZM25RKF9AA5		GM338 403-470 MHz 25-40W Conv Pref (Bipolar)
	Item	Description
X	GCN6114_	GM338 Control Head Direct Mount
X	IMUE6012_	Tanapa WM 403-470 MHz 25-40W
X	RAE4151_	BNC 403-430 MHz, $\frac{1}{4}$ Wave Roof Mount
X	RAE4152_	BNC 450-470 MHz, $\frac{1}{4}$ Wave Roof Mount
X	RAE4153_	BNC 450-470 MHz, 3.5dB Gain Roof Mount
X	RAE4154_	BNC 450-470 MHz, 5dB Gain Roof Mount
X	RAE4158_	BNC 406-420 MHz, 3.5dB Gain Roof Mount
X	6804112J06	GM338 User Guide

x = Indicates one of each is required.

2.0 Technical Specifications

Data is specified for +25°C unless otherwise stated.

General Specifications	
Channel Capacity GM338	128
Power Supply	13.2Vdc (10.8 - 15.6Vdc)
Dimensions: H x W x D (mm) Depth excluding knobs	GM338 59mm x 179mm x 198mm (25 - 40W) (add 9mm for Volume Knob)
Weight GM338	1400 g
Sealing:	Withstands rain testing per MIL STD 810 C/D/E and IP54
Shock and Vibration:	Protection provided via impact resistant housing exceeding MIL STD 810-C/D/E
Dust, Salt & Fog:	Protection provided via environment resistant housing exceeding MIL STD 810 C/D/E

Transmitter	UHF
*Frequencies - Full Bandsplit	UHF 403-470 MHz
Channel Spacing	12.5/20/25 kHz
Frequency Stability (-30°C to +60°C, +25° Ref.)	±2.0 ppm
Power	25-40W
Modulation Limiting	±2.5 @ 12.5 kHz ±4.0 @ 20 kHz ±5.0 @ 25 kHz
FM Hum & Noise	-40 dB @ 12.5kHz -45 dB @ 20/25kHz
Conducted/Radiated Emission (ETS)	-36 dBm <1 GHz -30 dBm >1 GHz
Adjacent Channel Power	-60 dB @ 12.5 kHz -70 dB @ 25 kHz
Audio Response (300 - 3000 Hz)	+1 to -3 dB
Audio Distortion @1000Hz, 60% Rated Maximum Deviation	<3% typical

Receiver	UHF
*Frequencies - Full Bandsplit	UHF 403-470 MHz
Channel Spacing	12.5/20/25 kHz
Sensitivity (12 dB SINAD)	0.30 µV (0.22 µV typical)
Intermodulation (ETS)	>65 dB
Adjacent Channel Selectivity (ETS)	65 dB @ 12.5 kHz 70 dB @ 20 kHz 75 dB @ 25 kHz
Spurious Rejection (ETS)	70 dB @ 12.5 kHz 75 dB @ 20/25 kHz
Rated Audio	3W Internal 7.5W External 13W External
Audio Distortion @ Rated Audio	<3% typical
Hum & Noise	-40 dB @ 12.5 kHz -45 dB @ 20/25 kHz
Audio Response (300 - 3000Hz @ 20/25kHz) (300 - 2550Hz @ 12.5kHz)	+1 to -3 dB
Conducted Spurious Emission (ETS)	-57 dBm <1 GHz -47 dBm >1 GHz

*Availability subject to the laws and regulations of individual countries.

Section 2

THEORY OF OPERATION

1.0 Introduction

This Chapter provides a detailed theory of operation for the UHF circuits in the radio. For details of the theory of operation and troubleshooting for the the associated Controller circuits refer to the Controller Section of this manual.

2.0 UHF (403-470 MHz) Receiver

2.1 Receiver Front-End

The receiver is able to cover the UHF range from 403 to 470 MHz. It consists of four major blocks: front-end bandpass filters and pre-amplifier, first mixer, 1st IF, 2nd IF and receiver back-end . Two varactor tuned bandpass filters perform antenna signal pre-selection. A cross over quad diode mixer converts the signal to the 1st IF of 44.85 MHz. Low side first injection is used.

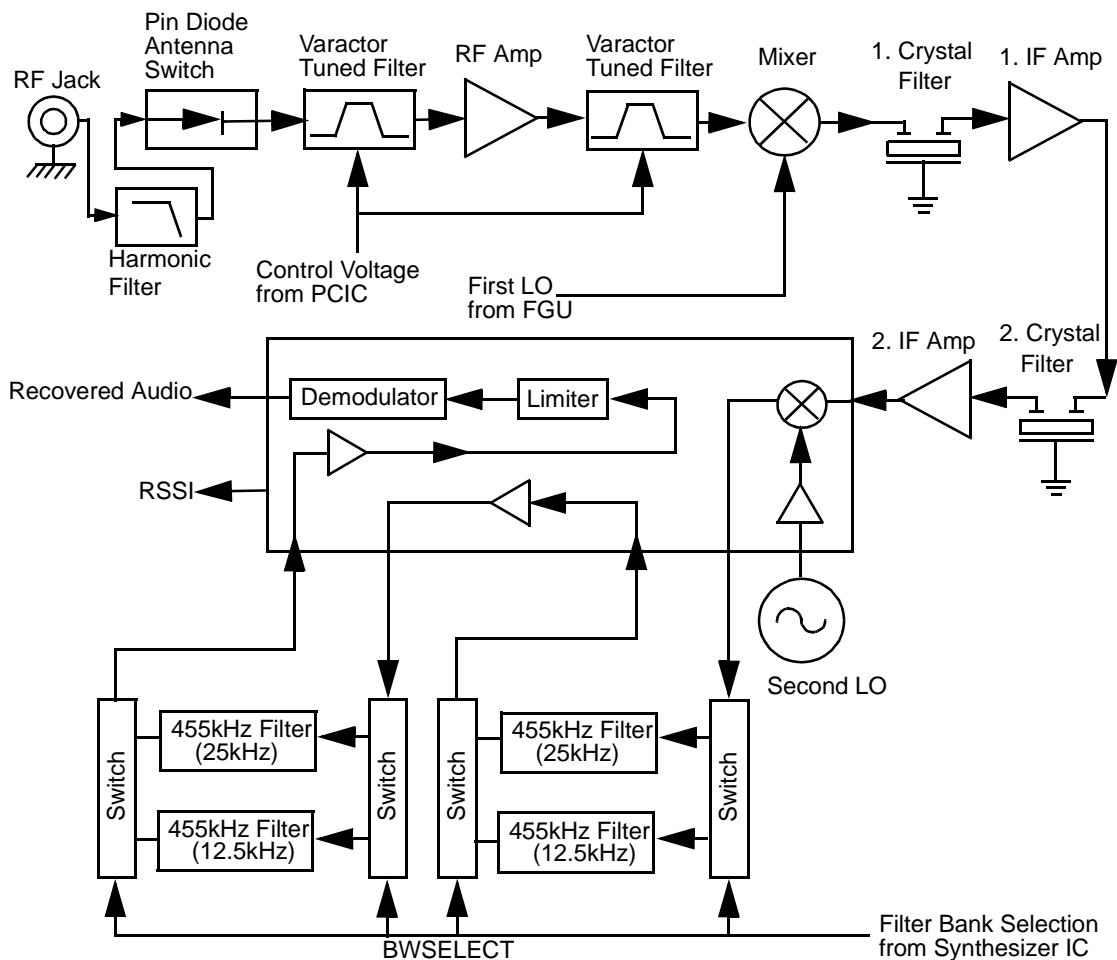


Figure 2-1 UHF Receiver Block Diagram

The 2-pole 44.85 MHz crystal filters in the 1st IF section and two pairs of 455 kHz ceramic filters in the 2nd IF section provide the required adjacent channel selectivity. The correct pair of ceramic filters for 12.5 or 25 kHz channel spacing is selected via control line BWSELECT. The 2nd IF at 455 kHz is mixed, amplified, and demodulated in the IF IC. The processing of the demodulated audio signal is performed by an audio processing IC located in the controller section.

2.2 Front-End Band-Pass Filters & Pre-Amplifier

The received signal from the radio's antenna connector is first routed through the harmonic filter and antenna switch, which are part of the RF power amplifier circuits, before being applied to the receiver pre-selector filter (C4001, C4002, D4001 and associated components). The 2-pole pre-selector filter tuned by the varactor diodes D4001 and D4002 pre-selects the incoming signal (RXIN) from the antenna switch to reduce spurious effects to following stages. The tuning voltage (FECTRL_1) ranging from 2 volts to 8 volts is controlled by pin 20 of PCIC (U4501) in the Transmitter section. A dual hot carrier diode (D4003) limits any inband signal to 0 dBm to prevent damage to the pre-amplifier.

The RF pre-amplifier is an SMD device (Q4003) with collector base feedback to stabilize gain, impedance, and intermodulation. The collector current of approximately 11-16 mA is drawn from the 9.3 volt supply via L4003 and R4002. A 3dB pad (R4006,R4007,R4011 and R4008 - R4010) stabilizes the output impedance and intermodulation performance.

A second 2-pole varactor tuned bandpass filter provides additional filtering of the amplified signal. The varactor diodes D4004 and D4005 are controlled by the same signal FECTRL_1, which controls the pre-selector filter. A following 1 dB pad (R4013 - R4015) stabilizes the output impedance and intermodulation performance.

2.3 First Mixer and 1st Intermediate Frequency (IF)

The signal coming from the front-end is converted to the first IF (44.85 MHz) using a cross over quad diode mixer (D4051). Its ports are matched for incoming RF signal conversion to the 44.85 MHz IF using low side injection via matching transformers T4051 and T4052. The injection signal (RXINJ) coming from the RX VCO buffer (Q4332) is filtered by the lowpass filter consisting of (L4053, L4054, C4053 - C4055) followed by a matching transformer T4052 and has a level of approximately 15dBm.

The mixer IF output signal (IF) from transformer T4501 pin 2 is fed to the first two pole crystal filter FL3101. The filter output in turn is matched to the following IF amplifier.

The IF amplifier Q3101 is actively biased by a collector base feedback (R3101, R3106) to a current drain of approximately 5 mA drawn from the 5 volt supply. Its output impedance is matched to the second two pole crystal filter FL3102. The signal is further amplified by a preamplifier (Q3102) before going into pin 1 of IFIC (U3101).

A dual hot carrier diode (D3101) limits the filter output voltage swing to reduce overdrive effects at RF input levels above -27 dBm.

2.4 2nd Intermediate Frequency (IF) and Receiver Back End

The 44.85 MHz 1st IF signal from the second IF amplifier feeds the IF IC (U3101) at pin1. Within the IF IC the 44.85 MHz high IF signal mixes with the 44.395 MHz second local oscillator (2nd LO) to produce the low IF signal at 455 kHz. The 2nd LO frequency is determined by crystal Y3101. The 2nd IF signal is amplified and filtered by an external pair of 455 kHz ceramic filters (FL3112, FL3114) for 20/25 kHz channel spacing or FL3111 and FL3113/F3115 for 12.5 kHz channel spacing. These pairs are selectable via BWSELECT. The filtered output from the ceramic filters is applied to the limiter input pin of the IF IC (pin 14).

The IF IC contains a quadrature detector using a ceramic phase-shift element (Y3102) to provide audio detection. Internal amplification provides an audio output level of 120 mV rms (at 60% deviation) from U3103 pin 8 (DISCAUDIO) which is fed to the ASFIC_CMP (U0221) pin 2 (part of the Controller circuits).

A received signal strength indicator (RSSI) signal is available at U3101 pin 5, having a dynamic range of 70 dB. The RSSI signal is interpreted by the μ P (U0101 pin 63) and is available at accessory connector J0501-15.

3.0 Transmitter Power Amplifier (PA) 40 W

The radio's 40W power amplifier (PA) is a four stage amplifier used to amplify the output from the VCOBIC to the radio transmit level. It consists of the following four stages in the line-up. The first stage is a LDMOS predriver (U4401) that is controlled by pin 4 of PCIC (U4501) via Q4473 (CNTLVLTG). It is followed by another LDMOS stage (Q4421), an LDMOS stage (Q4431), and a bipolar final stage (Q4441).

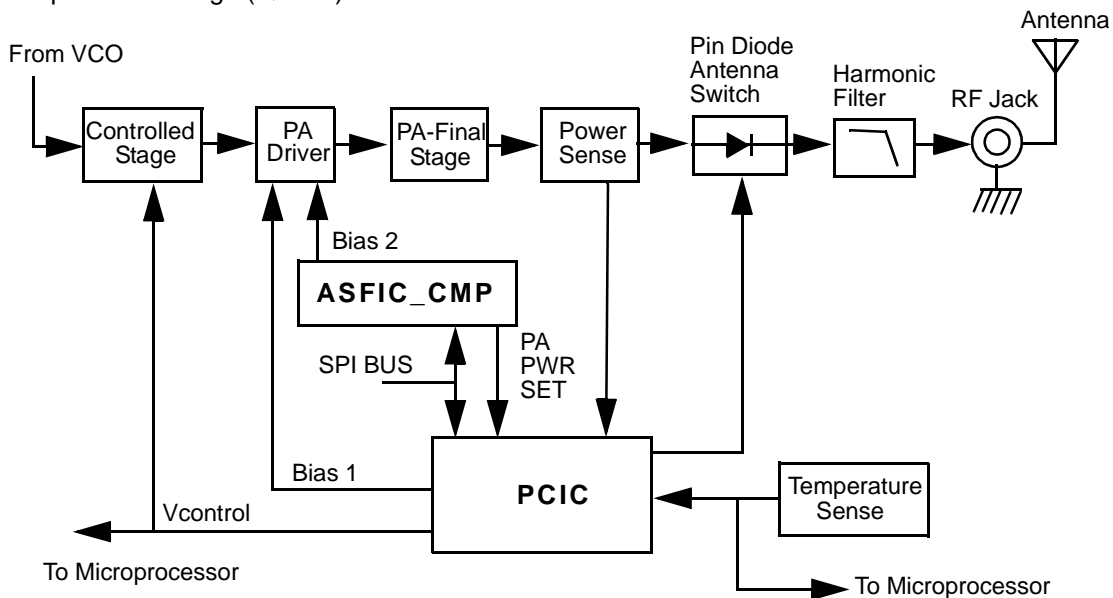


Figure 2-2 UHF Transmitter Block Diagram

Device Q4401 is surface mounted. Q4421, Q4431 and Q4441 are directly attached to the heat sink.

3.1 Power Controlled Stage

The first stage (U4401) amplifies the RF signal from the VCO (TXINJ) and controls the output power of the PA. The output power of the transistor U4401 is controlled by a voltage control line feed from the PCIC pin4(U4501). The control voltage simultaneously varies the bias of two FET stages within U4401. This biasing point determines the overall gain of U4401 and therefore its output drive level to Q4421, which in turn controls the output power of the PA.

In receive mode the voltage control line is at ground level and turns off Q4473 which in turn switches off the biasing voltage to U4401.

3.2 Pre Driver Stage

The next stage is a 13dB gain LDMOS device (Q4421) which requires a positive gate bias and a quiescent current flow for proper operation. The voltage of the line PCIC_MOSBIAS_1 is set in transmit mode by PCIC pin 24 and fed to the gate of Q4421 via the resistive network R4407, R4408, R4416 and R4415. The bias voltage is tuned in the factory.

3.3 Driver Stage

The following stage is an enhancement-mode N-Channel MOSFET device (Q4431) providing a gain of 10dB. This device also requires a positive gate bias and a quiescent current flow for proper operation. The voltage of the line Bias_2_UHF_PA_1 is set in transmit mode by the ASFIC and fed to the gate of Q4431 via the resistive network R4630, R4631, and R4632. This bias voltage is also tuned in the factory. If the transistor is replaced, the bias voltage must be tuned using the Customer Programming Software (CPS). Care must be taken not to damage the device by exceeding the maximum allowed bias voltage. The device's drain current is drawn directly from the radio's dc supply voltage input, A+, via L4421.

3.4 Final Stage

The final stage uses the bipolar device Q4441. The device's collector current is also drawn from the radio's dc supply voltage input. To maintain class C operation, the base is dc-grounded by a series inductor (L4441) and a bead (L4440). A matching network consisting of C5541-C5544 and two striplines transform the impedance to 50 Ohms and feeds the directional coupler.

3.5 Bi-Directional Coupler

The Bi-directional coupler is a microstrip printed circuit, which couples a small amount of the forward and reverse power of the RF power from Q4441. The coupled signal is rectified to an output power proportional dc voltage by the diodes D4451 & D4452 and sent to the RFIN of the PCIC. The PCIC controls the gain of stage U4401 as necessary to hold this voltage constant. This ensures the forward power out of the radio is held to a constant value.

3.6 Antenna Switch

The antenna switch utilizes the existing dc feed (A+) to the last stage device (Q4441). Basic operation is to have both PIN diodes D4471 and D4472 turns on during key-up by forward biasing them. It is achieved by pulling down the voltage at the cathode end of D4472 to around 11.8V (0.7V drop across each diode). The current through the diodes needs to be set around 80mA to fully open the transmit path through resistor R4496. Q4472 is a current source controlled by Q4471 and is eventually connected to pin ANO of PCIC. VR4471 ensures the voltage at the resistor R4511 never exceeds 5.6V.

3.7 Harmonic Filter

Inductors L4491, L4492, L4493 and capacitors C4448, C4493, C4494, C4496 and C4498 form a low-pass filter to attenuate harmonic energy from the transmitter. R4491 is used to drain any electrostatic charges that might otherwise build up on the antenna. The harmonic filter also prevents high level RF signals above the receiver passband from reaching the receiver circuits, improving spurious response rejection.

3.8 Power Control

The transmitter uses the Power Control IC (PCIC, U4501) to control the power output of the radio. A portion of the forward RF power from the transmitter is sampled by the bi-directional coupler and rectified, to provide a dc voltage to the RFIN port of the PCIC (pin 1) which is proportional to the sampled RF power.

The PCIC has internal digital to analog converters (DACs) which provide the reference voltage of the control loop. The reference voltage level is programmable through the SPI line of the PCIC. This reference voltage is proportional to the desired power setting of the transmitter, and is factory programmed at several points across the frequency range of the transmitter to offset frequency response variations of the transmitter's power detector circuits.

The PCIC provides a dc output voltage at pin 4 (INT) and applied as CNTLVLTG to the power-adjust input pin of the first transmitter stage U4401. This adjusts the transmitter power output to the intended value. Variations in forward or reflected transmitter power cause the dc voltage at pin 1 to change, and the PCIC adjusts the control voltage above or below its nominal value to raise or lower output power.

Capacitors C4502-4, in conjunction with resistors and integrators within the PCIC, control the transmitter power-rise (key-up) and power-decay (de-key) characteristic to minimize splatter into adjacent channels.

U4502 is a temperature-sensing device, which monitors the circuit board temperature in the vicinity of the transmitter driver and final devices, and provides a dc voltage to the PCIC (TEMP, pin 29) proportional to temperature. If the dc voltage produced exceeds the set threshold in the PCIC, the transmitter output power is reduced so as to reduce the transmitter temperature.

4.0 Frequency Synthesis

The synthesizer subsystem consists of the reference oscillator (Y4261 or Y4262), the low voltage fractional-N synthesizer (LVFRAC-N, U4201), and the Voltage Controlled Oscillator VCO.

4.1 Reference Oscillator

The reference oscillator (Y4262) contains a temperature compensated crystal oscillator with a frequency of 16.8 MHz. An Analog-to-Digital (A/D) converter internal to U4201 (LVFRAC-N) and controlled by the μ P via serial interface (SRL) sets the voltage at the warp output of U4201, pin 25 to set the frequency of the oscillator. The output of the oscillator (pin 3 of Y4262) is applied to pin 23 (XTAL1) of U4201 via an RC series combination.

In applications where less frequency stability is required the oscillator inside U4201 is used along with an external crystal Y4261, varactor diode D4261, C4261, C4262 and R4262. In this case, Y4262, R4263, C4235 and C4251 are not used. When Y4262 is used, Y4261, D4261, C4261, C4262 and R4262 are not used, and C4263 is increased to 0.1 μ F.

4.2 Fractional-N Synthesizer

The LVFRAC-N synthesizer IC (U4201) consists of a pre-scaler, a programmable loop divider, control divider logic, a phase detector, a charge pump, an A/D converter for low frequency digital modulation, a balanced attenuator to balance the high frequency analog modulation and low frequency digital modulation, a 13V positive voltage multiplier, a serial interface for control, and finally a super filter for the regulated 5 volts.

A voltage of 5V applied to the super filter input (U4201 pin 30) supplies an output voltage of 4.5 Vdc (VSF) at pin 28. It supplies the VCO, VCO modulation bias circuit (via R4322) and the synthesizer charge pump resistor network (R4251, R4252). The synthesizer supply voltage is provided by the 5V regulator U4211.

In order to generate a high voltage to supply the phase detector (charge pump) output stage at pin VCP (U5701-32), a voltage of 13 Vdc is being generated by the positive voltage multiplier circuitry (D4201, C4202, C4203). This voltage multiplier is basically a diode capacitor network driven by two signals (1.05MHz) 180 degrees out of phase (U4201-14 and -15).

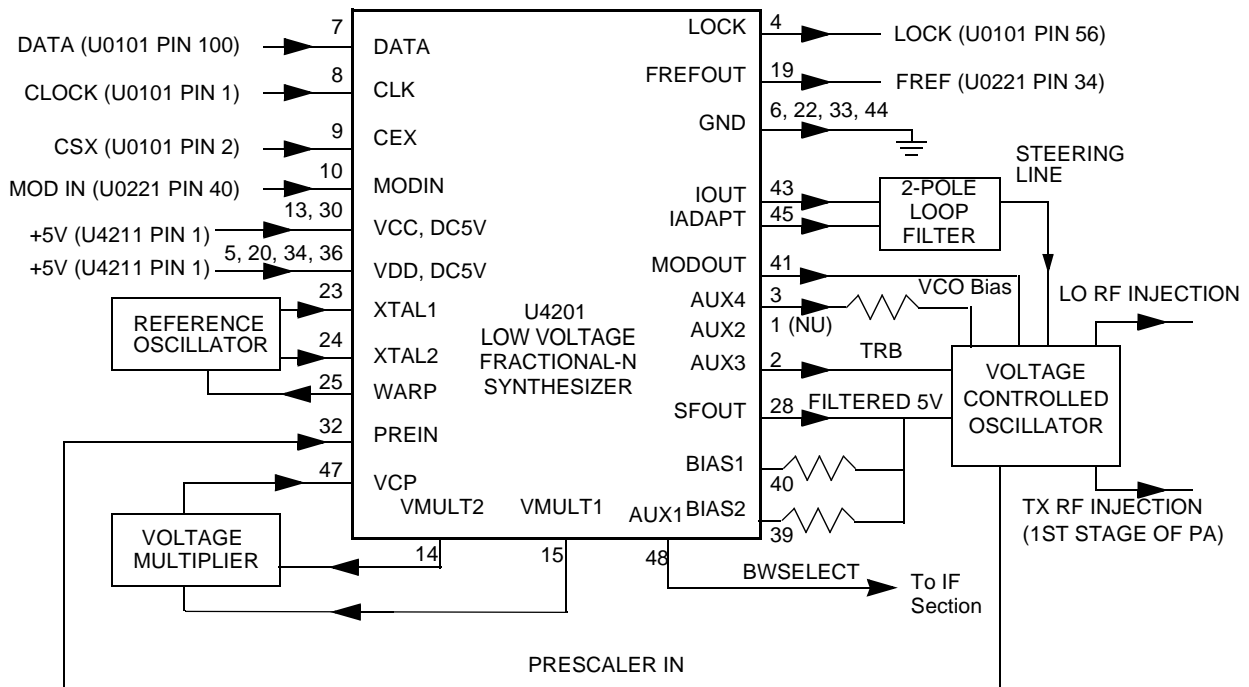


Figure 2-3 UHF Synthesizer Block Diagram

Output LOCK (U4201-4) provides information about the lock status of the synthesizer loop. A high level at this output indicates a stable loop. IC U4201 provides the 16.8 MHz reference frequency at pin 19.

The serial interface (SRL) is connected to the μ P via the data line DATA (U4201-7), clock line CLK (U4201-8), and chip enable line CSX (U4201-9).

4.3 Voltage Controlled Oscillator (VCO)

The Voltage Controlled Oscillator (VCO) consists of the VCO buffer IC (VCOBIC, U4301), the TX and RX tank circuits, the external RX buffer stages, and the modulation circuits.

The VCOBIC together with Fractional-N synthesizer (U4201) generates the required frequencies in both transmit and receive modes. The TRB line (U4301 pin 19) determines which tank circuits and internal buffers are to be enabled. A high level on TRB enables TX tank and TX output (pin 10), and a low enables RX tank and RX output (pin 8). A sample of the signal from the enabled output is routed from U4301 pin 12 (PRESC_OUT), via a low pass filter, to pin 32 of U4201 (PREIN).

A steering line voltage (VCTRL) between 3.0V and 10.0V at varactor diode CR4311 will tune the full TX frequency range (TXINJ) from 403 MHz to 470 MHz, and at varactor diodes CR4301, CR4302 and CR4303 will tune the full RX frequency range (RXINJ) from 358 MHz to 425 MHz. The tank circuits uses the Hartley configuration for wider bandwidth. For the RX tank circuit, an external transistor Q4301 is used in conjunction with the internal transistor for better side-band noise.

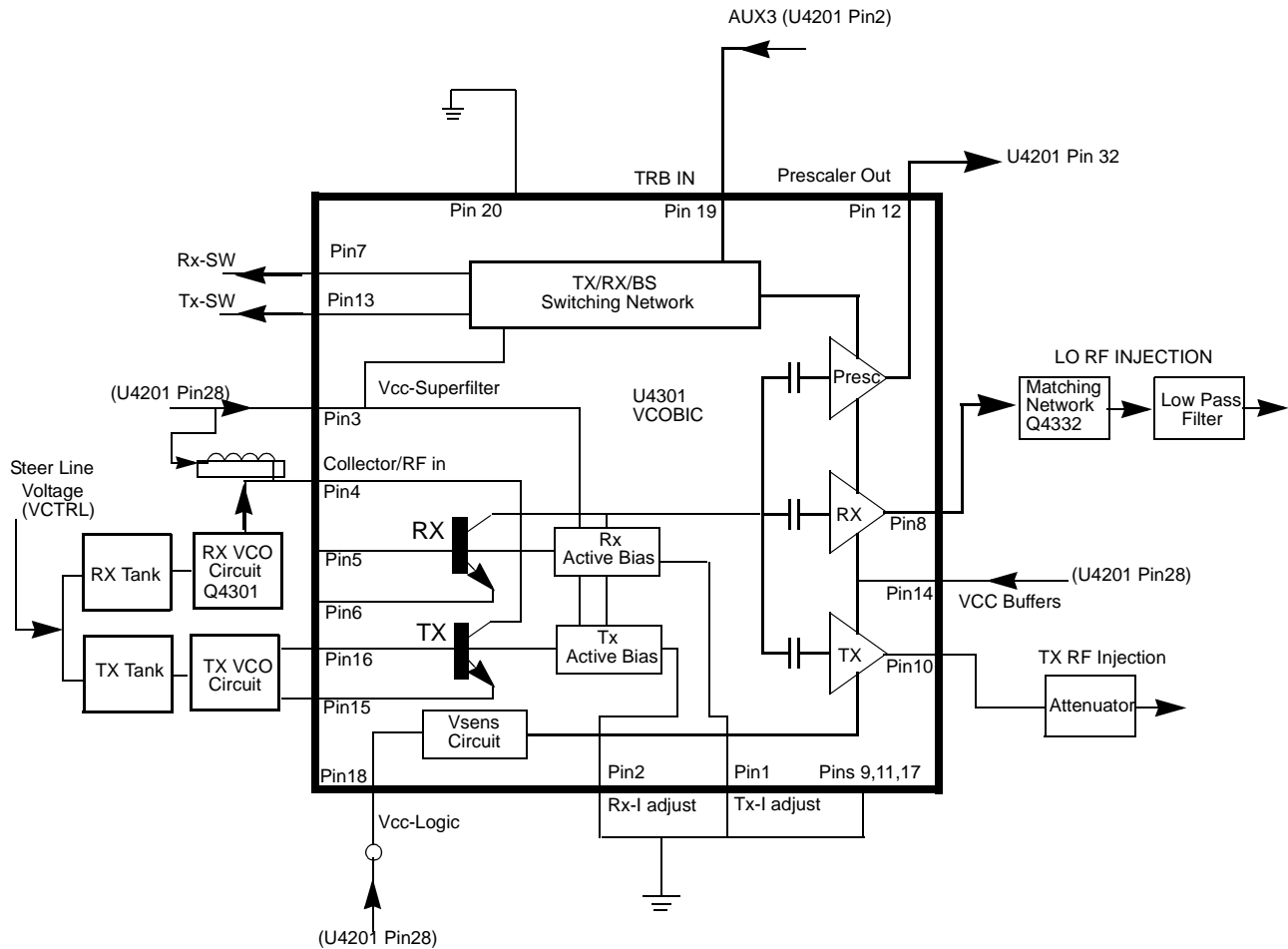


Figure 2-4 UHF VCO Block Diagram

The external RX buffers (Q4332) are enabled by a high at U4201 pin 3 (AUX4) via transistor switch Q4333. In TX mode the modulation signal (VCOMOD) from the LVFRAC-N synthesizer IC (U4201 pin41) is applied to the modulation circuits CR4321, R4321, R4322 and C4324. These modulate the TX VCO frequency via coupling capacitor C4321. Varactor CR4321 is biased for linearity from the VSF.

4.4 Synthesizer Operation

The complete synthesizer subsystem comprises mainly of a low voltage FRAC-N (LVFRACN) IC, Reference Oscillator (crystal oscillator with temperature compensation), charge pump circuits, loop filter circuits, and dc supply. The output signal (PRESC_OUT) of the VCOBIC (U4301, pin12) is fed to of U4201, pin 32 (PREIN) via a low pass filter (C4229,L4225,C4226) which attenuates harmonics and provides correct level to close the synthesizer loop.

The pre-scaler in the synthesizer (U4201) is basically a dual modulus pre-scaler with selectable divider ratios. The divider ratio of the pre-scaler is controlled by the loop divider, which in turn receives its inputs via the SRL. The output of the pre-scaler is applied to the loop divider. The output of the loop divider is connected to the phase detector, which compares the loop divider's output signal with the reference signal. The reference signal is generated by dividing down the signal of the reference oscillator (Y4261 or Y4262).

The output signal of the phase detector is a pulsed dc signal which is routed to the charge pump. The charge pump outputs a current at pin 43 of U4201 (IOUT). The loop filter (which consists of R4221-R4223, C4221-C4225,L4221) transforms this current into a voltage that is applied to the varactor diodes CR4311 for transmit, CR4301, CR4302 & CR4303 for receive and alters the output frequency of the VCO. The current can be set to a value fixed in the LVFRAC-N IC or to a value determined by the currents flowing into BIAS 1 (U4201-40) or BIAS 2 (U4201-39). The currents are set by the value of R4251 or R4252 respectively. The selection of the three different bias sources is done by software programming.

To reduce synthesizer lock time when new frequency data has been loaded into the synthesizer the magnitude of the loop current is increased by enabling the IADAPT (U4201-45) for a certain software programmable time (Adapt Mode). The adapt mode timer is started by a low to high transient of the CSX line. When the synthesizer is within the lock range the current is determined only by the resistors connected to BIAS 1, BIAS 2, or the internal current source. A settled synthesizer loop is indicated by a high level of signal LOCK (U4201-4).

LOCK (U4201-4) signal is routed to one of the μ P's ADCs input U101-56. From the voltage the μ P determines whether LOCK is active.

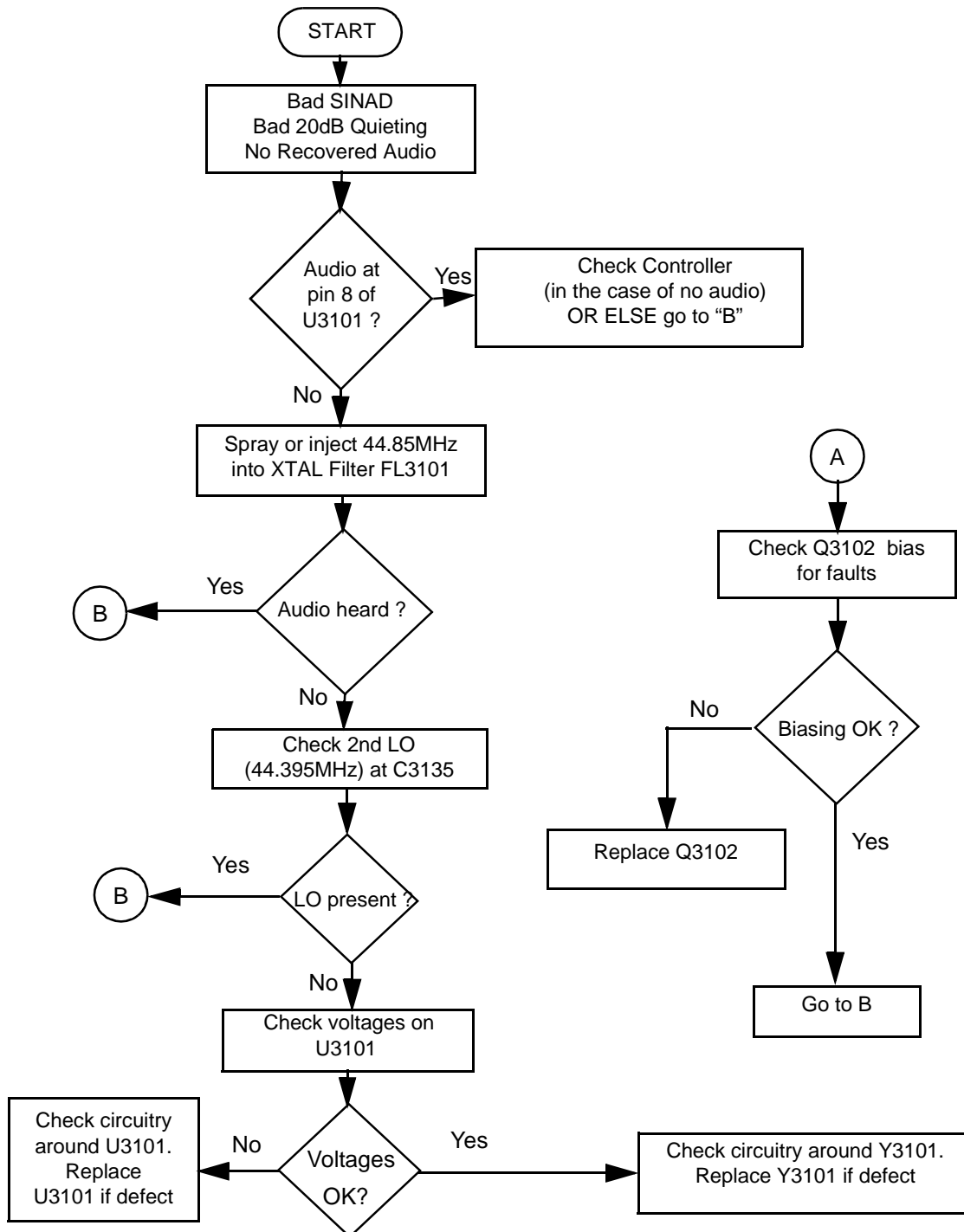
In order to modulate the PLL the two spot modulation method is utilized Via pin 10 (MODIN) on U4201. The audio signal is applied to both the A/D converter (low frequency path) as well as the balanced attenuator (high frequency path). The A/D converter converts the low frequency analog modulating signal into a digital code which is applied to the loop divider, thereby causing the carrier to deviate. The balance attenuator is used to adjust the VCO's deviation sensitivity to high frequency modulating signals. The output of the balance attenuator is present at the MODOUT port (U4201-41) and connected to the VCO modulation diode CR4321 via R4321, C4325.

THIS PAGE INTENTIONALLY LEFT BLANK

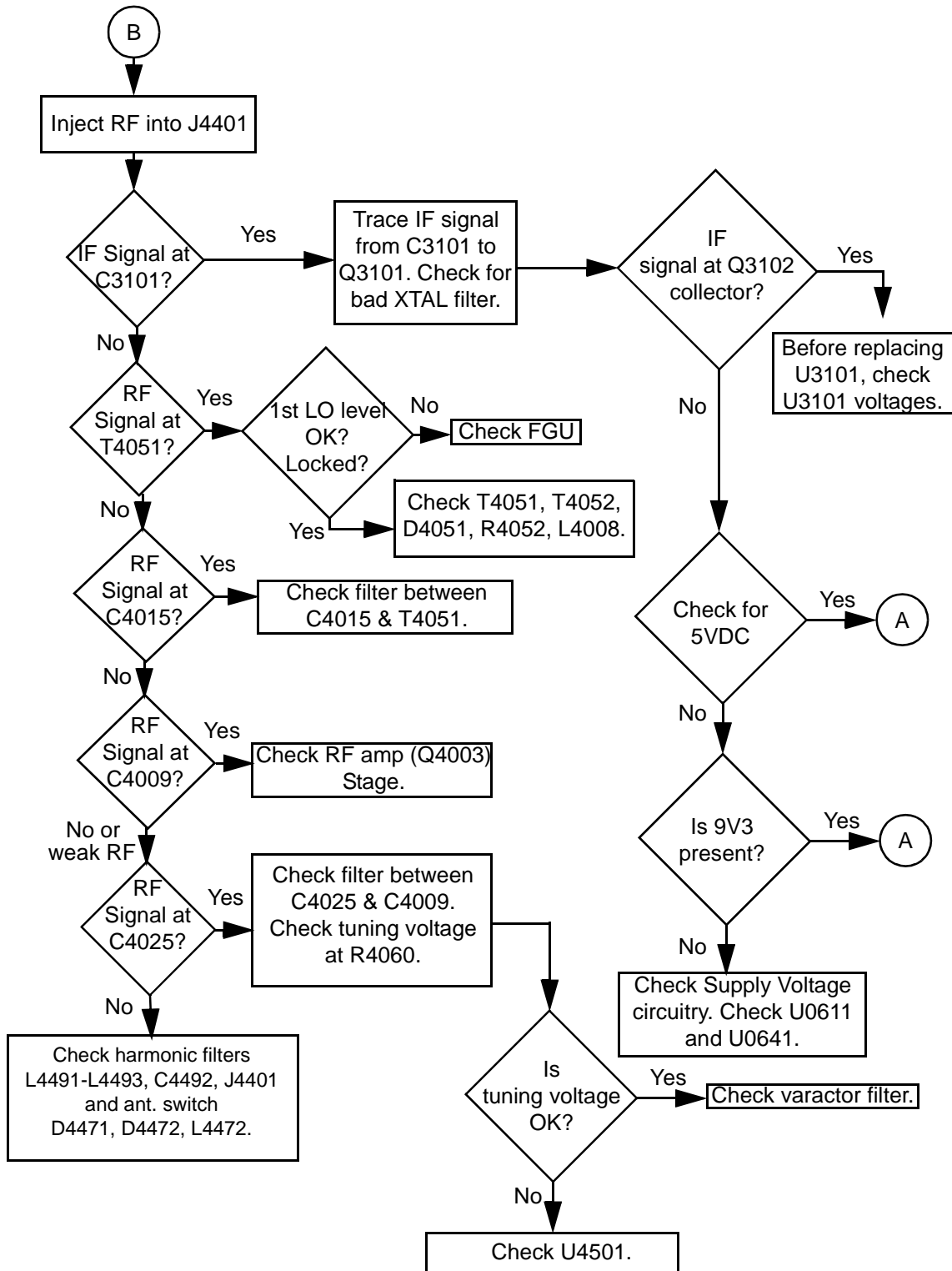
Section 3

TROUBLESHOOTING CHARTS

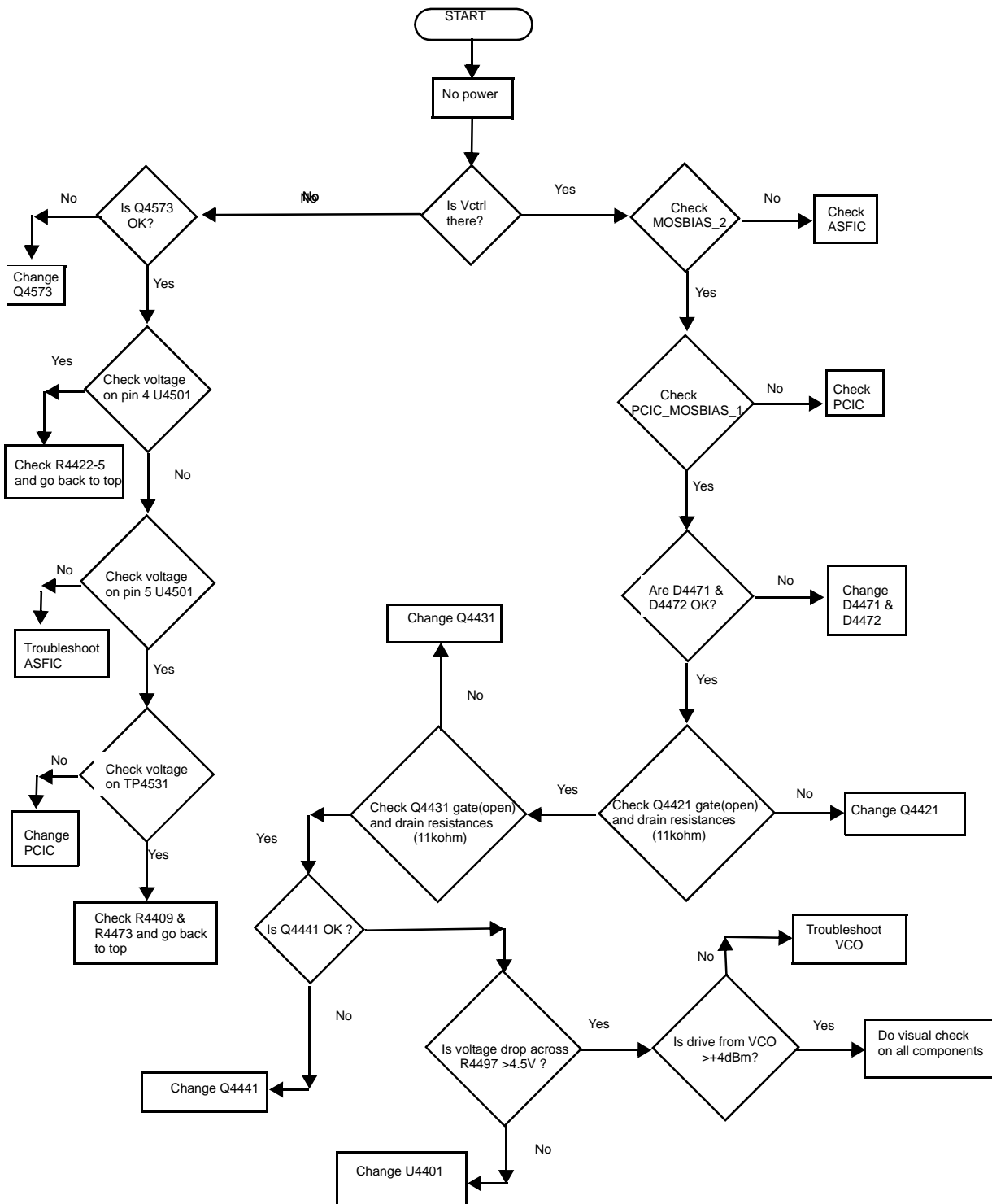
1.0 Troubleshooting Flow Chart for Receiver (Sheet 1 of 2)



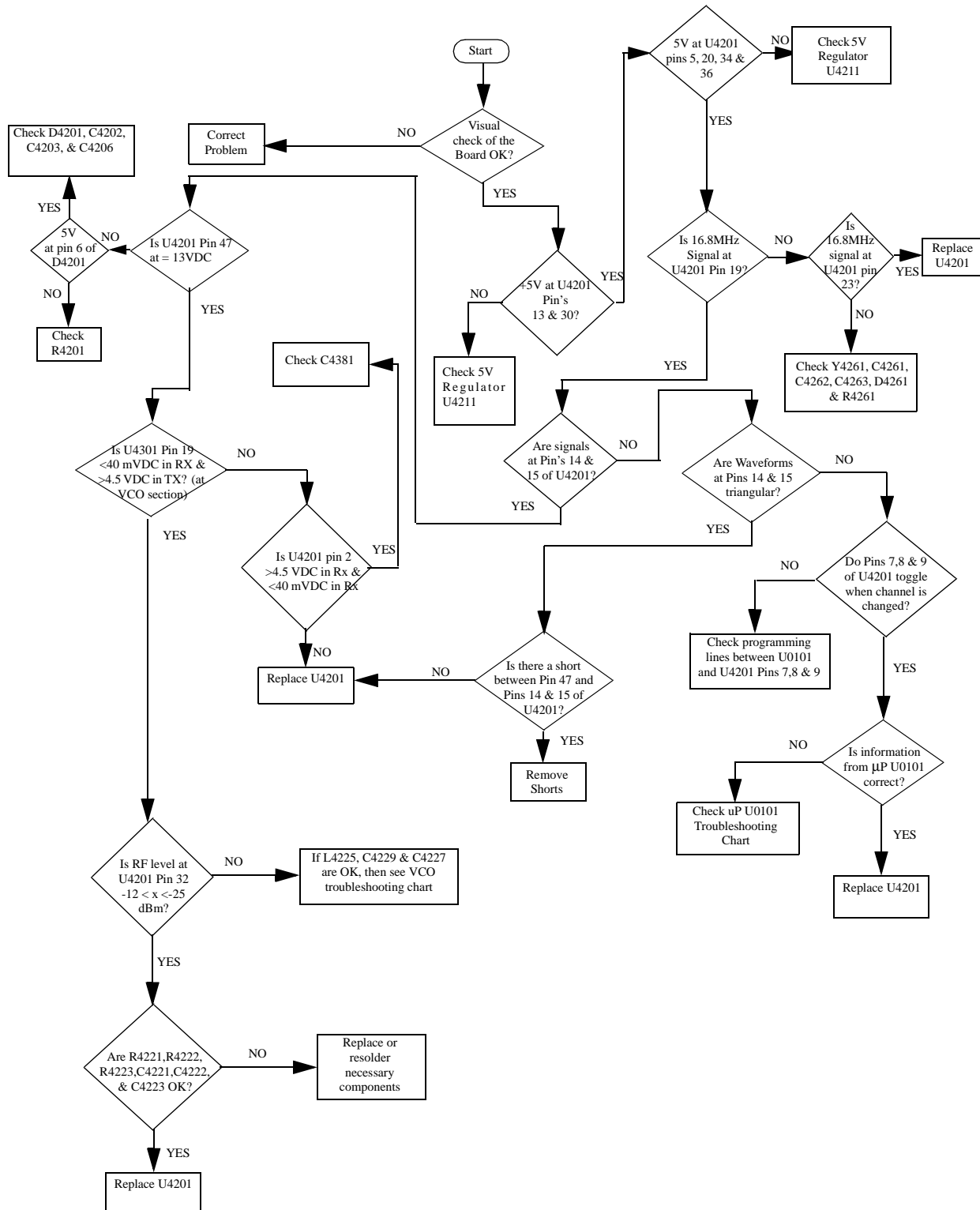
1.1 Troubleshooting Flow Chart for Receiver (Sheet 2 of 2)



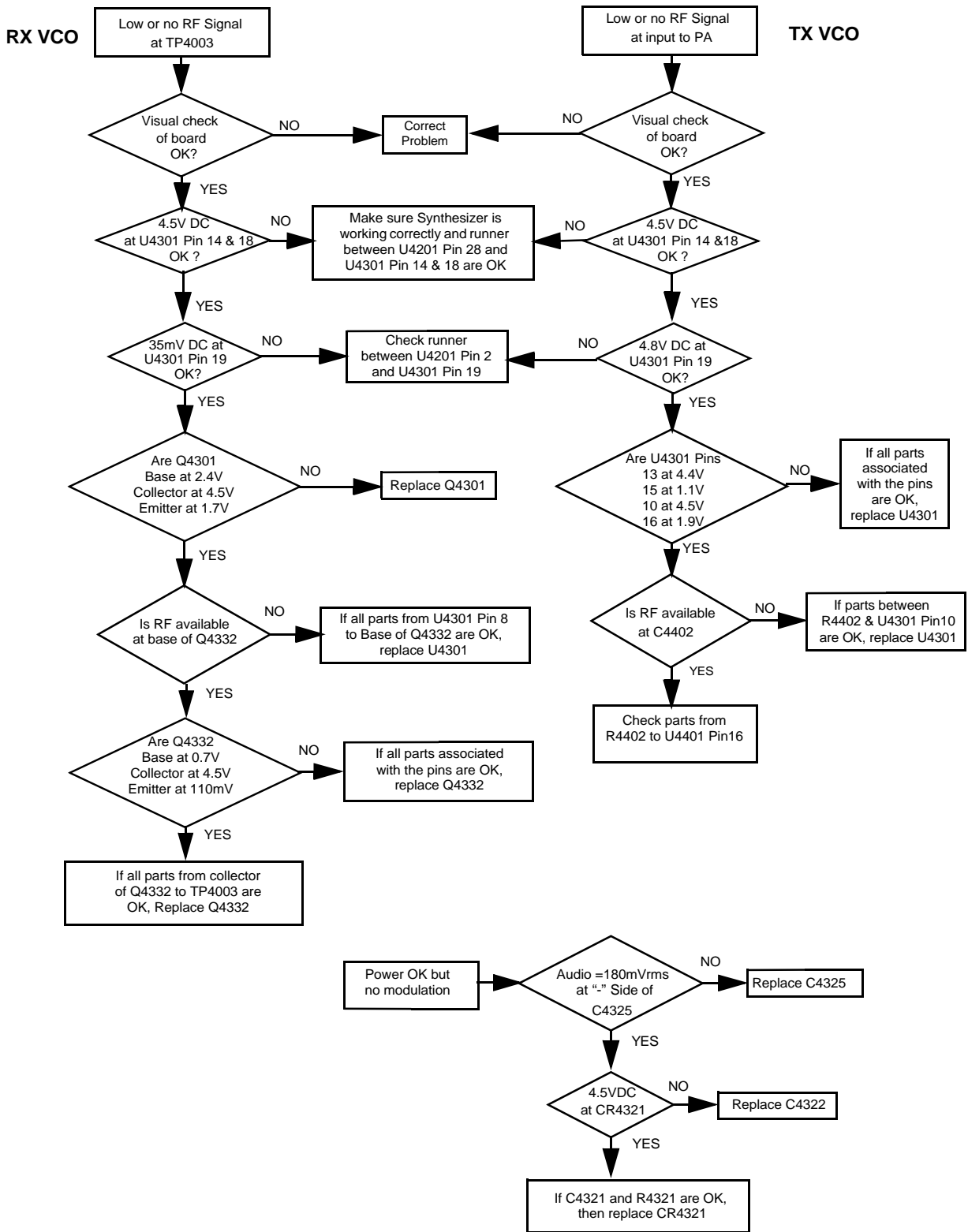
2.0 Troubleshooting Flow Chart for 40W Transmitter



3.0 Troubleshooting Flow Chart for Synthesizer



4.0 Troubleshooting Flow Chart for VCO



THIS PAGE INTENTIONALLY LEFT BLANK

Section 4

UHF PCB/SCHEMATICS/PARTS LISTS

1.0 Allocation of Schematics and Circuit Boards

1.1 Controller Circuits

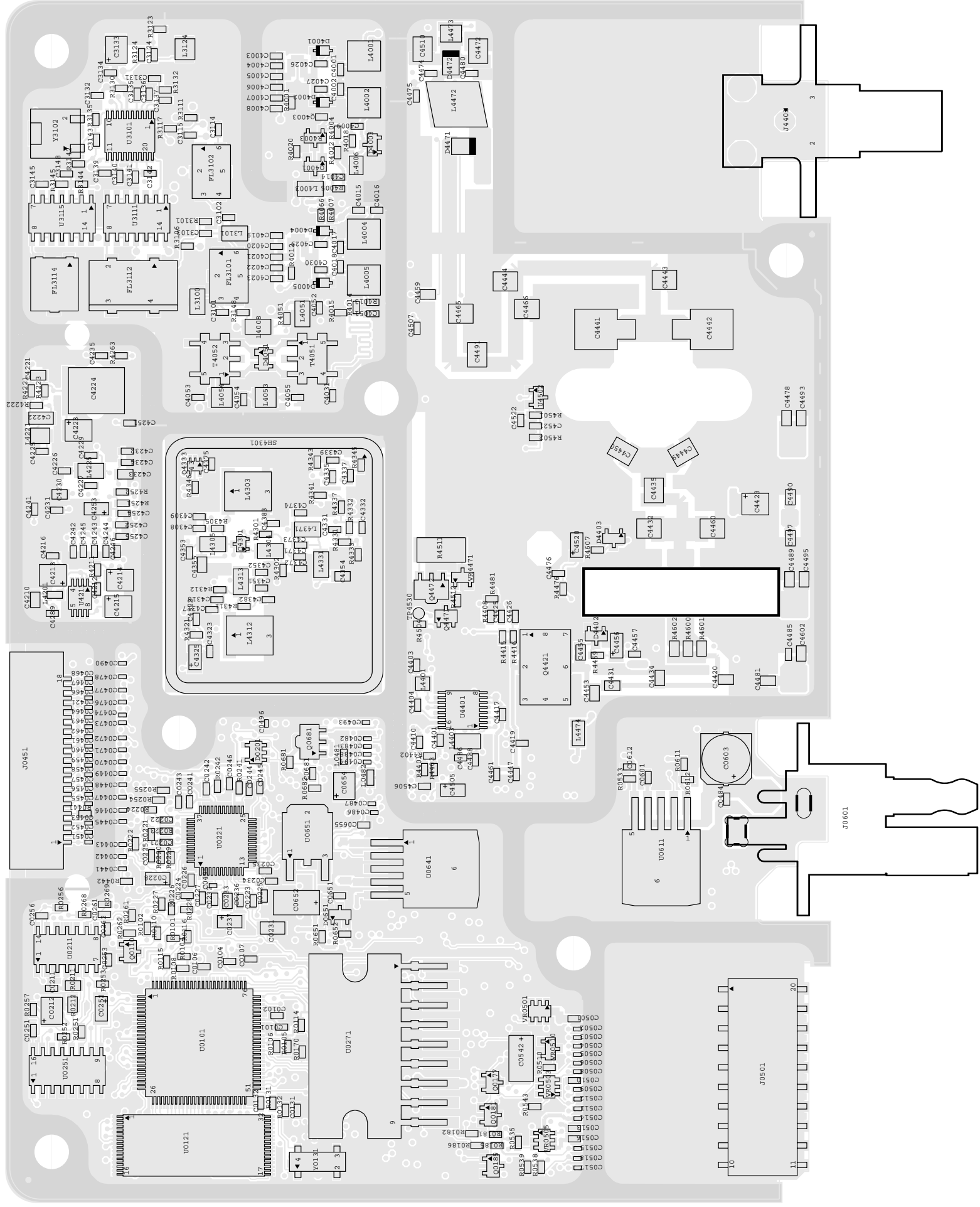
The UHF circuits are contained on the Printed Circuit Board (PCB) which also contains the Controller circuits. This Chapter shows the schematics for the UHF circuits only, refer to the Controller section for details of the related Controller circuits . The PCB component layouts and the Parts Lists in this Chapter show both the Controller and UHF circuit components. The UHF schematics and the related PCB and parts list are shown in the tables below.

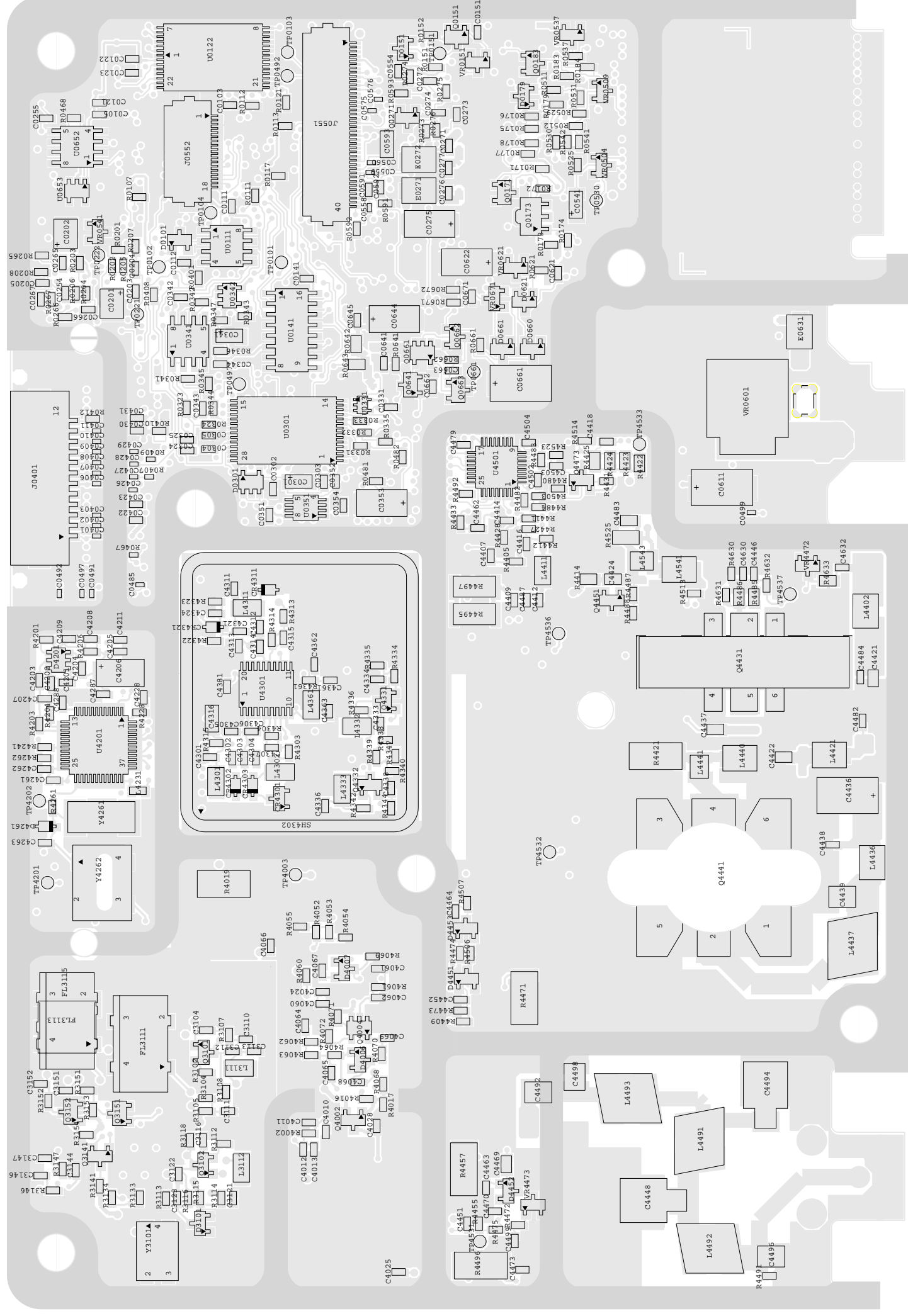
Table 4-1 UHF 25-40W Diagrams and Parts Lists

PCB : 8480643Z06 Main Board Top Side 8480643Z06 Main Board Bottom Side	Page 4-3 Page 4-4
SCHEMATICS Power Amplifier 25 - 40W FRACN Voltage Controlled Oscillator Receiver Front End IF	Page 4-5 Page 4-6 Page 4-7 Page 4-8 Page 4-9
Parts List 8480643Z06	Page 4-10

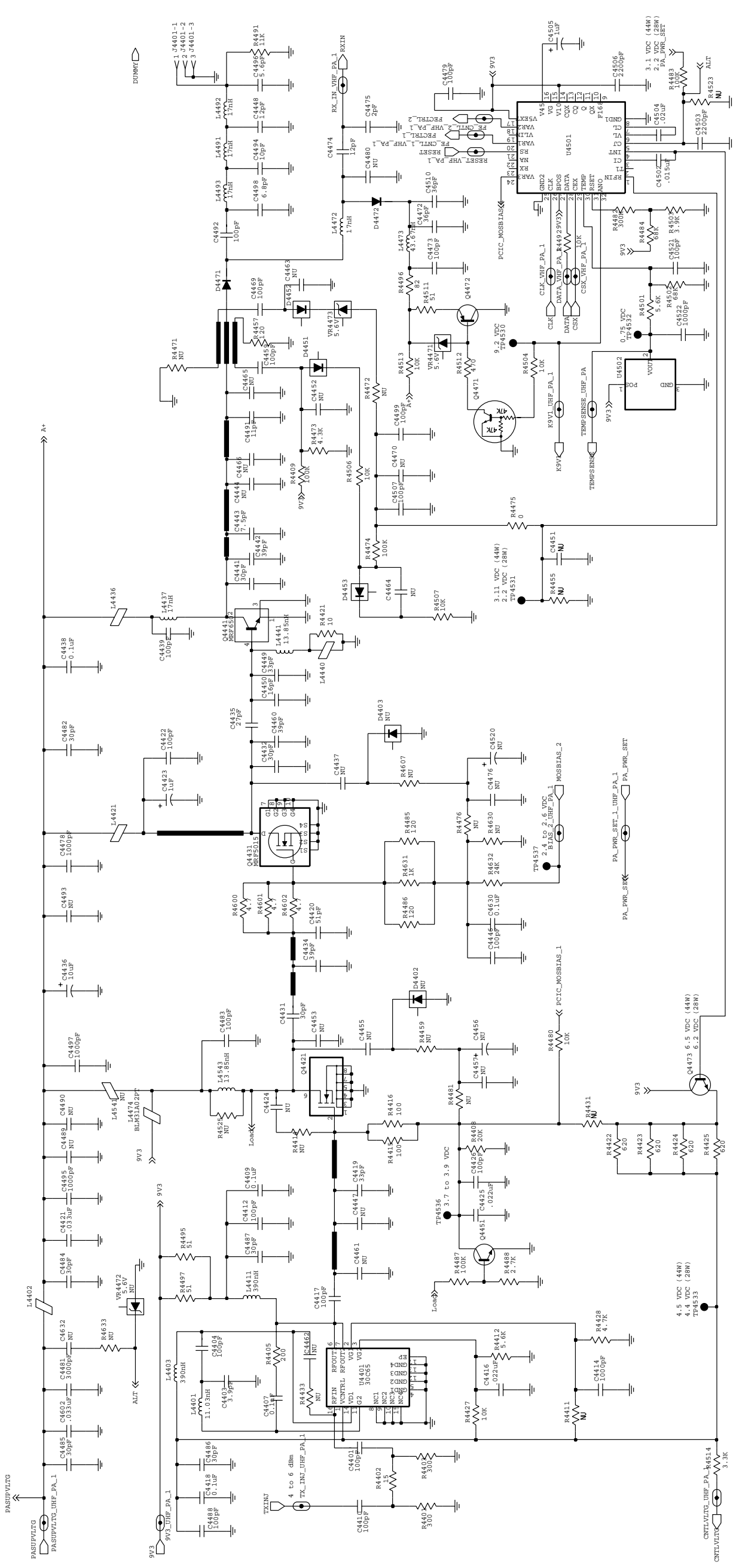
THIS PAGE INTENTIONALLY LEFT BLANK

2.0 UHF 25-40W PCB / Schematics / Parts List

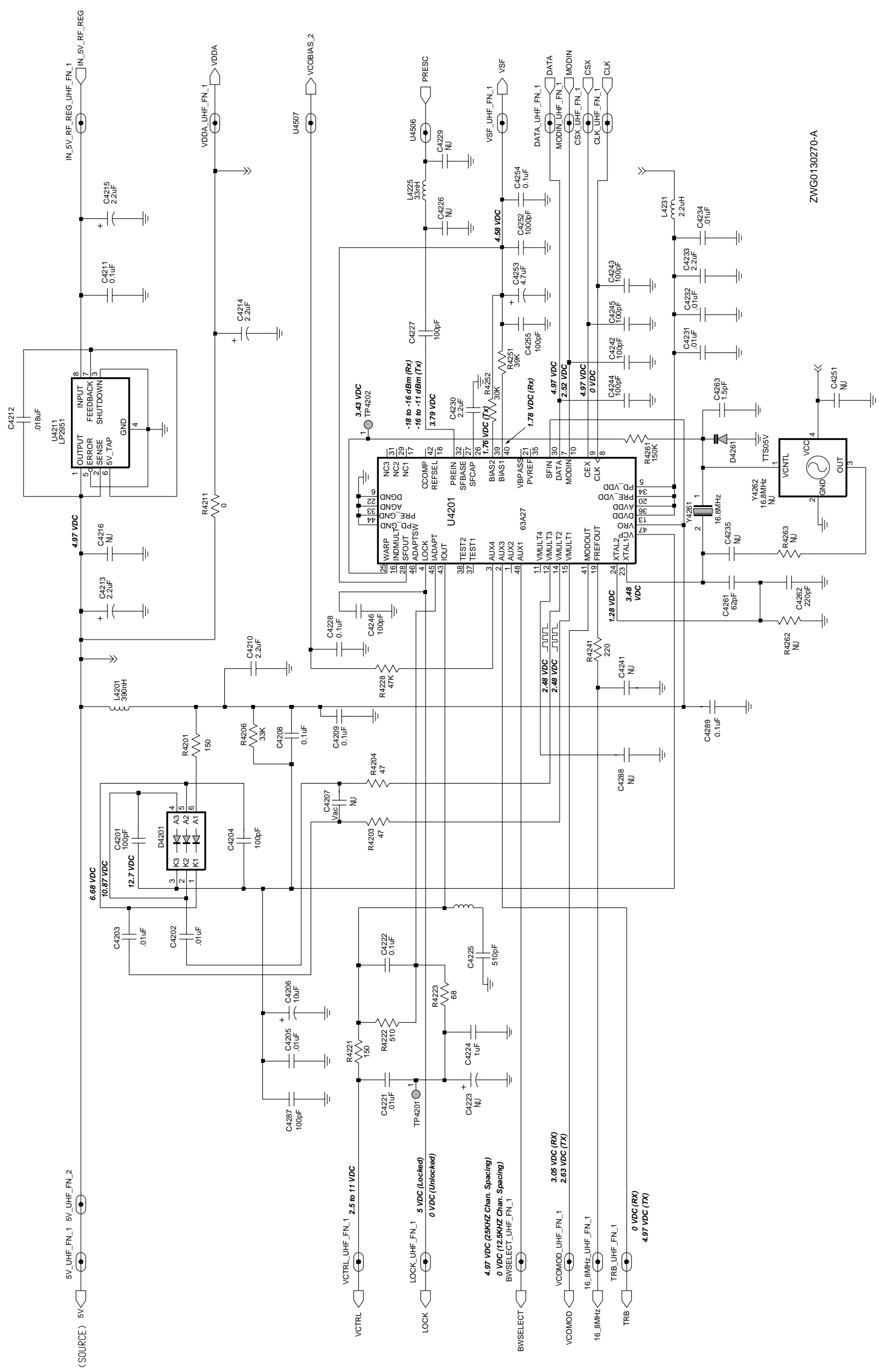




UHF (403-470 MHz) 25-40W 8480643Z06 Bottom Side

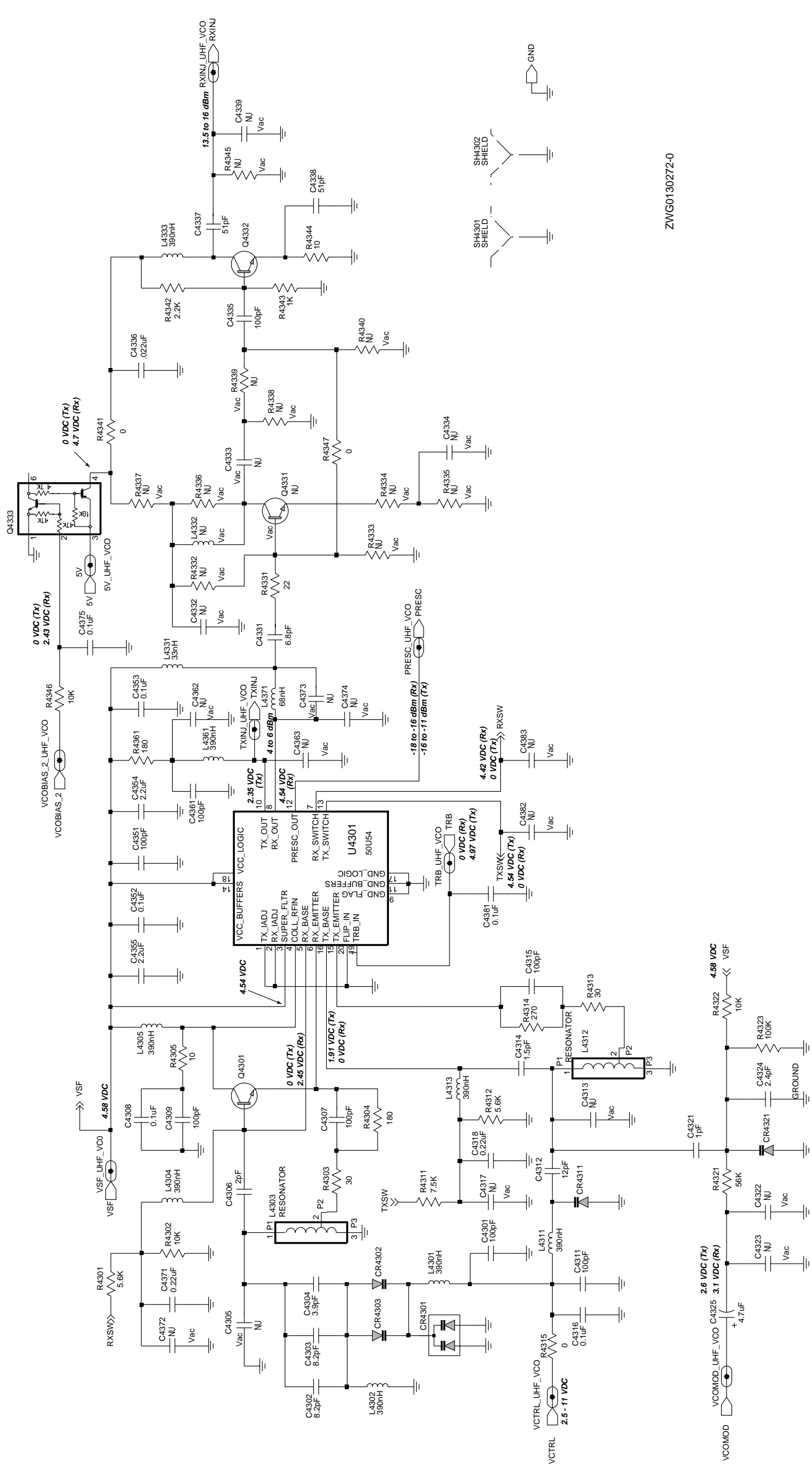


UHF (403-470 MHz) Power Amplifier 25-40W



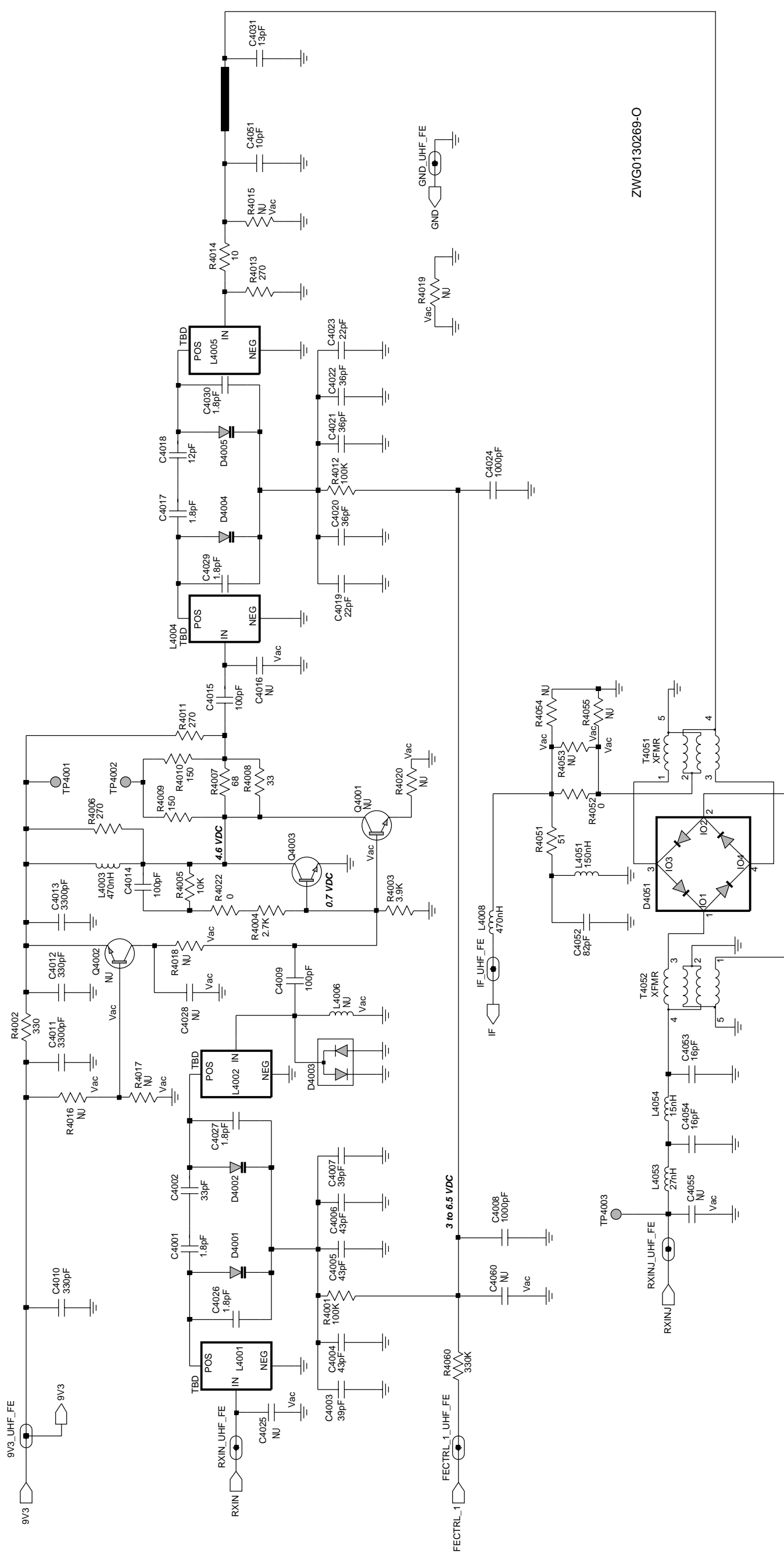
ZWG0130270-A

HF (403-470 MHz) FRACN



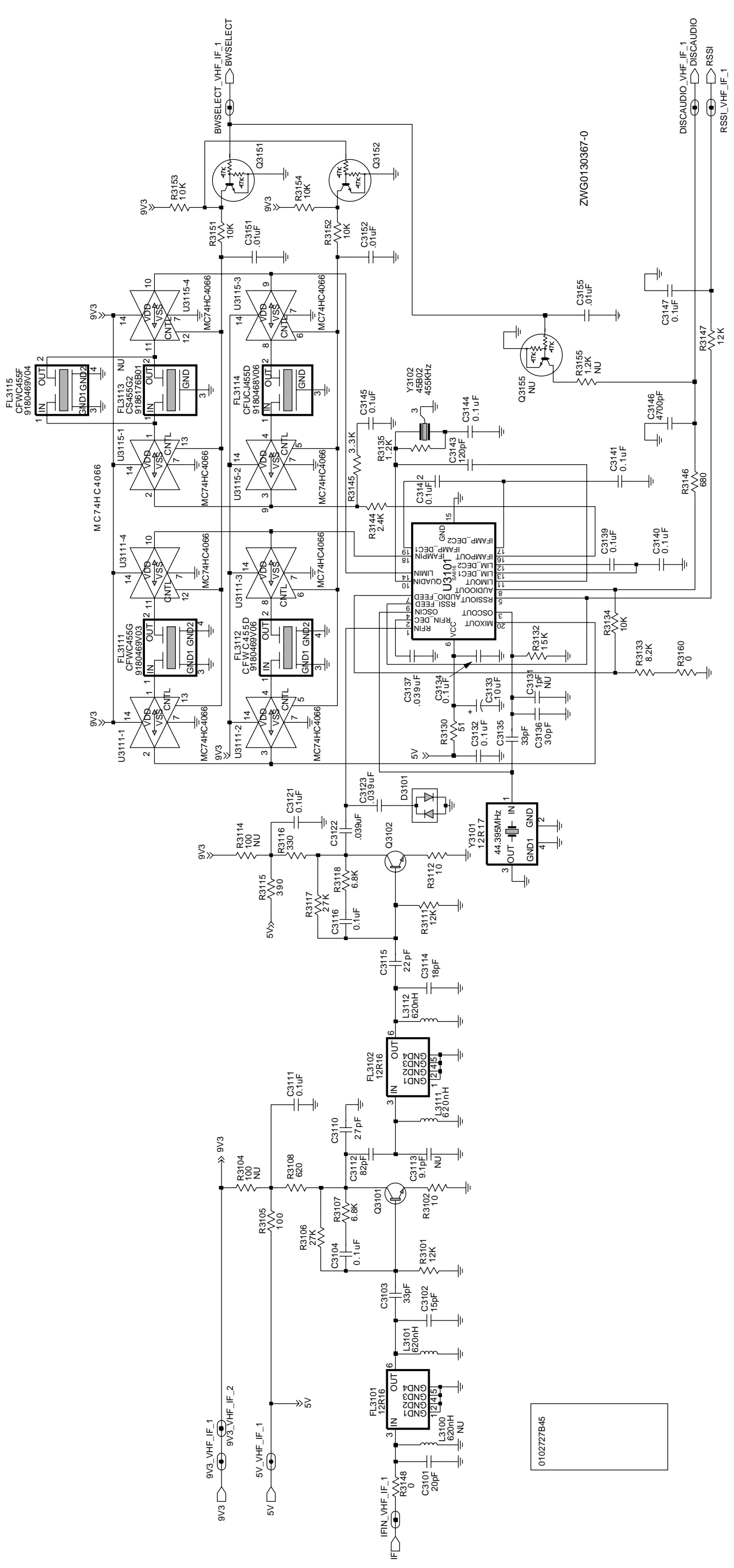
ZWG0130272-0

UHF (403-470 MHz) Voltage Controlled Oscillator



ZWG0130269-O

UHF (403-470 MHz) Receiver Front End



UHF (403-470 MHz) IF

UHF PCB 8480643Z06 Parts List 25-40W

Circuit Ref	Motorola Part No.	Description
C0101	2113740F51	100pF
C0107	2113741F25	1000pF
C0112	2113743E20	0.1uF
C0121	2113743E20	0.1uF
C0122	2113743E20	0.1uF
C0131	2113740F35	22pF
C0132	2113740F35	22pF
C0141	2113743E20	0.1uF
C0151	2113741F49	10000pF
C0201	2311049A57	10uF
C0202	2311049A57	10uF
C0204	2113743E20	0.1uF
C0212	2311049A57	10uF
C0221	2113743E20	0.1uF
C0222	2113743E20	0.1uF
C0223	2113743E20	0.1uF
C0224	2113740F51	100pF
C0225	2113743E20	0.1uF
C0226	2113743E20	0.1uF
C0228	2311049A56	4.7uF
C0231	2113743B29	1uF
C0232	2113743E20	0.1uF
C0234	2113743E20	0.1uF
C0235	2113743E07	0.022uF
C0236	2113743E10	0.033uF
C0241	2113743E20	0.1uF
C0243	2113740F51	100pF
C0244	2113743E20	0.1uF
C0245	2113743E20	0.1uF
C0246	2113741F49	10000pF
C0251	2113743E20	0.1uF
C0252	2311049A07	1uF
C0254	2113743E20	0.1uF
C0255	2113743E20	0.1uF
C0256	2113740F51	100pF
C0261	2113743E20	0.1uF
C0262	2113740F49	82pF
C0265	2113743E20	0.1uF
C0267	2113741F49	10000pF
C0271	2113741F49	10000pF
C0272	2113743E20	0.1uF
C0273	2113741F37	3300pF
C0275	2311049A99	47uF
C0276	2113741F25	1000pF
C0277	2113741F25	1000pF
C0301	2311049A07	1uF
C0302	2113743E20	0.1uF
C0303	2113740F51	100pF
C0304	2113743E20	0.1uF
C0305	2113743E20	0.1uF

Circuit Ref	Motorola Part No.	Description
C0504	2113743L09	470pF
C0505	2113743L09	470pF
C0506	2113743L09	470pF
C0508	2113743L09	470pF
C0509	2113743L09	470pF
C0510	2113741F17	470pF
C0511	2113743L09	470pF
C0512	2113743L09	470pF
C0513	2113741F17	470pF
C0514	2113743L09	470pF
C0515	2113743L09	470pF
C0516	2113741F49	10000pF
C0517	2113743N48	82pF
C0518	2113743L09	470pF
C0541	2311049A05	0.47uF
C0542	2311049A99	47uF
C0591	2113743E20	0.1uF
C0592	2113743E20	0.1uF
C0593	2113741B69	0.1uF
C0601	2113741F17	470pF
C0603	2380090M24	10uF
C0611	2311049C06	22uF
C0612	2113743E20	0.1uF
C0622	2311049A99	47uF
C0641	2113741F17	470pF
C0644	2311049A97	33uF
C0645	2113743E20	0.1uF
C0652	2311049A97	33uF
C0654	2311049A57	10uF
C0655	2113743E20	0.1uF
C0661	2311049C05	47uF
C0662	2113741F49	10000pF
C0663	2113743E20	0.1uF
C0671	2113743E20	0.1uF
C0681	2113743E20	0.1uF
C3101	2113740F34	20pF
C3102	2113740F31	15pF
C3103	2113740F39	33pF
C3104	2113743E20	0.1uF
C3110	2113740F37	27pF
C3111	2113743E20	0.1uF
C3112	2113740F49	82pF
C3114	2113740F33	18pF
C3115	2113740F35	22pF
C3116	2113743E20	0.1uF
C3121	2113743E20	0.1uF
C3122	2113743E11	0.039uF
C3123	2113743E11	0.039uF
C3132	2113743E20	0.1uF
C3133	2311049A57	10uF
C3134	2113743E20	0.1uF

Circuit Ref	Motorola Part No.	Description
C3135	2113740L30	33pF
C3136	2113740L29	30pF
C3137	2113743E11	0.039uF
C3139	2113743E20	0.1uF
C3140	2113743E20	0.1uF
C3141	2113743E20	0.1uF
C3142	2113743E20	0.1uF
C3143	2113740F53	120pF
C3144	2113743E20	0.1uF
C3145	2113743E20	0.1uF
C3146	2113741F41	4700pF
C3147	2113743E20	0.1uF
C3151	2113741F49	10000pF
C3152	2113741F49	10000pF
C4001	2113740F09	1.8pF
C4002	2113740F39	33pF
C4003	2113740F42	43pF
C4004	2113740F42	43pF
C4005	2113740F42	43pF
C4006	2113740F42	43pF
C4007	2113740F42	43pF
C4008	2113741F25	1000pF
C4009	2113740F27	10pF
C4010	2113741F13	330pF
C4011	2113741F37	3300pF
C4012	2113741F13	330pF
C4013	2113741F37	3300pF
C4014	2113740F51	100pF
C4015	2113740F51	100pF
C4017	2113740F09	1.8pF
C4018	2113740F29	12pF
C4019	2113740F33	18pF
C4020	2113740F27	10pF
C4021	2113740F35	22pF
C4022	2113740F27	10pF
C4023	2113740F27	10pF
C4024	2113741F25	1000pF
C4026	2113740F09	1.8pF
C4027	2113740F09	1.8pF
C4028	2113741F49	10000pF
C4029	2113740F09	1.8pF
C4030	2113740F09	1.8pF
C4031	2113740F30	13pF
C4051	2113740F27	10pF
C4052	2113740F49	82pF
C4053	2113740F32	16pF
C4054	2113740F32	16pF
C4061	2113740F63	330pF
C4062	2113743E20	10uF
C4064	2113743E20	10uF
C4065	2113740F51	100pF

Circuit Ref	Motorola Part No.	Description
C4067	2113741F37	3300pF
C4069	2113741F49	10000pF
C4201	2113740F51	100pF
C4202	2113741F49	10000pF
C4203	2113741F49	10000pF
C4204	2113740F51	100pF
C4205	2113741F49	10000pF
C4206	2311049J25	10uF
C4208	2113743E20	10uF
C4209	2113743E20	10uF
C4210	2104993J02	2.2uF
C4211	2113743E20	10uF
C4212	2113743E05	0.018uF
C4213	2311049A09	2.2uF
C4214	2311049A09	2.2uF
C4215	2311049A09	2.2uF
C4221	2109720D01	0.01uF
C4222	2109720D14	0.1uF
C4224	0882422W23	1uF
C4225	2113741F18	510pF
C4227	2113740F51	100pF
C4230	2104993J02	2.2uF
C4231	2113741F49	10000pF
C4232	2113741F49	10000pF
C4233	2104993J02	2.2uF
C4234	2113741F49	10000pF
C4235	2113741F49	10000pF
C4242	2113740F51	100pF
C4243	2113740F51	100pF
C4244	2113740F51	100pF
C4245	2113740F51	100pF
C4246	2113740F51	100pF
C4251	2113743E20	10uF
C4252	2113741F25	1000pF
C4253	2311049A56	4.7uF
C4254	2113743E20	10uF
C4255	2113740F51	100pF
C4263	2113743E20	10uF
C4287	2113740F51	100pF
C4289	2113743E20	10uF
C4301	2113740F51	100pF
C4302	2113740L16	8.2pF
C4303	2113740L16	8.2pF
C4304	2113740L08	3.9pF
C4306	2113740L01	2.0pF
C4307	2113740F51	100pF
C4308	2113743E20	10uF
C4309	2113740F51	100pF
C4311	2113740F51	100pF
C4312	2113740F29	12pF
C4314	2113740F07	1.5pF

Circuit Ref	Motorola Part No.	Description
C4315	2113740F51	100pF
C4316	2109720D14	0.1uF
C4318	2113743E20	10uF
C4321	2113740F03	1pF
C4324	2113740L03	2.4pF
C4325	2311049A56	4.7uF
C4331	2113740L14	6.8pF
C4335	2113740F51	100pF
C4336	2113743E07	0.022uF
C4337	2113740F44	51pF
C4338	2113740F44	51pF
C4351	2113740F51	100pF
C4352	2113743E20	10uF
C4353	2113743E20	10uF
C4354	2104993J02	2.2uF
C4355	2104993J02	2.2uF
C4361	2113740F51	100pF
C4371	2113743E20	10uF
C4401	2113740F51	100pF
C4403	2113740F17	3.9pF
C4404	2113740F51	100pF
C4407	2113743E20	10uF
C4409	2113743E20	10uF
C4410	2113740F51	100pF
C4412	2113740F51	100pF
C4414	2113741F25	1000pF
C4416	2113743E07	0.022uF
C4417	2113740F51	100pF
C4418	2113743E20	10uF
C4419	2113740F39	33pF
C4420	2113740A48	51pF
C4421	2113741A57	0.033uF
C4422	2113740A55	100pF
C4423	2311049A08	1uF
C4425	2113743E07	0.022uF
C4426	2113740F51	100pF
C4431	2113740A40	30pF
C4432	2111078B27	30pF
C4435	2111078B25	27pF
C4436	2311049A45	10uF
C4438	2113743E20	10uF
C4439	2111078B42	100pF
C4441	2180464E40	30pF
C4442	2180464E34	39pF
C4443	2111078B10	7.5pF
C4446	2113740F51	100pF
C4448	2180464E65	12pF
C4449	2111078B29	33pF
C4450	2111078B19	16pF
C4459	2113740A55	100pF
C4460	2111078B32	39pF

Circuit Ref	Motorola Part No.	Description
C4469	2113740A55	100pF
C4472	2111078B31	36pF
C4473	2113740F51	100pF
C4474	2113740F29	12pF
C4475	2113740F10	2.0pF
C4478	2113741A21	1000pF
C4479	2113740F51	100pF
C4481	2113741A32	3000pF
C4482	2113740F38	30pF
C4483	2113740A55	100pF
C4484	2113740F38	30pF
C4485	2113740F38	30pF
C4486	2113740F38	30pF
C4487	2113740F38	30pF
C4488	2113740F51	100pF
C4491	2111078B14	11pF
C4492	2111078B42	100pF
C4494	2180464E63	10pF
C4495	2113741A21	1000pF
C4496	2111078B07	5.6pF
C4497	2113741A21	1000pF
C4498	2111078B09	6.8pF
C4499	2113740F51	100pF
C4502	2113743E03	0.015uF
C4503	2113741F33	2200pF
C4504	2113743E06	0.020uF
C4505	2311049A07	1uF
C4506	2113741F33	2200pF
C4507	2113740F51	100pF
C4510	2111078B31	36pF
C4521	2113740F51	100pF
C4522	2113741F25	1000pF
C4602	2113741A57	0.033uF
C4630	2113743E20	10uF
C4632	2113741F25	1000pF
CR4301	4805649Q13	DIODE VCTR ISV 228
CR4302	4862824C01	DIODE VARACTOR
CR4303	4862824C01	DIODE VARACTOR
CR4311	4802245J22	DIODE VARACTOR
CR4321	4862824C01	DIODE VARACTOR
D0101	4813825A05	DIODE
D0151	4813833C02	DIODE, DUAL 70V
D0179	4813833C02	DIODE, DUAL 70V
D0301	4802245J47	DIODE, SCHOTTKY
D0621	4813833C02	DIODE, DUAL 70V
D0651	4813833C02	DIODE, DUAL 70V
D0660	4813833C02	DIODE, DUAL 70V
D0661	4813833C02	DIODE, DUAL 70V
D4001	4862824C01	DIODE VARACTOR
D4002	4862824C01	DIODE VARACTOR
D4003	4880154K03	DIODE DUAL SCHOTTKY

Circuit Ref	Motorola Part No.	Description
D4004	4862824C01	DIODE VARACTOR
D4005	4862824C01	DIODE VARACTOR
D4007	4813833C02	DIODE, DUAL 70V
D4051	4886143B01	DIODE, MIXER
D4201	4802233J09	DIODE, TRIPLE
D4451	4813825A05	DIODE
D4452	4813825A05	DIODE
D4453	4813825A05	DIODE
D4471	4802482J02	DIODE, SMD PIN
D4472	4802482J02	DIODE, SMD PIN
E0271	2484657R01	FERRITE BEAD
E0272	2484657R01	FERRITE BEAD
E0631	2484657R01	FERRITE BEAD
FL3101	9180112R16	2 POLE 44.85 MHZ CRYSTAL FILTER
FL3102	9180112R16	2 POLE 44.85 MHZ CRYSTAL FILTER
FL3111	9180469V03	CERAMIC FILTER, 455KHZ
FL3112	9180469V06	CERAMIC FILTER, 455KHZ
FL3114	9180468V06	CERAMIC FILTER, 455KHZ
FL3115	9180469V04	CERAMIC FILTER, 455KHZ
J0401	0902636Y02	CONNECTOR
J0451	0902636Y01	CONNECTOR
J0501	0986105B01	CONNECTOR
J0551	0905505Y04	CONNECTOR
J0552	0905505Y03	CONNECTOR
J0601	0986165B01	DC POWER CONNECTOR
J4401	0986166B02	RF CONNECTOR (MINI UHF)
L3101	2462587T25	620nH
L3111	2462587T25	620nH
L3112	2462587T25	620nH
L4003	2462587T23	470nH
L4006	2462587V24	15nH
L4008	2462587T23	470nH
L4051	2462587T17	150nH
L4053	2462587N46	27nH
L4054	2462587N43	15nH
L4201	2462587Q42	390nH
L4221	2462587P25	1200nH
L4225	2462587T40	33nH
L4231	2462587Q20	2.200nH
L4301	2462587T22	390nH
L4302	2462587T22	390nH
L4303	2460593C01	RESONATOR
L4304	2462587T22	390nH
L4305	2462587T22	390nH
L4311	2462587T22	390nH
L4312	2460593C01	RESONATOR
L4313	2462587T22	390nH
L4331	2462587T09	33nH
L4333	2462587T22	390nH

Circuit Ref	Motorola Part No.	Description
L4361	2462587T22	390nH
L4371	2462587T13	68nH
L4401	2460591B04	11.03nH
L4402	2484657R01	FERRITE BEAD
L4403	2462587T22	390nH
L4411	2462587T22	390nH
L4421	2484657R01	FERRITE BEAD
L4436	2484657R01	FERRITE BEAD
L4437	2460592A01	17nH
L4440	2484657R01	FERRITE BEAD
L4441	2460591C23	13.85nH
L4472	2460592A01	17nH
L4473	2460591N36	43.67nH
L4474	2480067M01	FERRITE BEAD
L4491	2460592A01	17nH
L4492	2460592A01	17nH
L4493	2460592A01	17nH
L4543	2460591C23	13.85nH
Q0110	4880048M01	NPN
Q0151	4880048M01	NPN
Q0171	4880048M01	NPN
Q0173	4880052M01	NPN DARLINGTON
Q0177	4880048M01	NPN
Q0181	4880048M01	NPN
Q0183	4880048M01	NPN
Q0185	4880048M01	NPN
Q0271	4880214G02	NPN
Q0641	4880048M01	NPN
Q0661	4805921T02	DUAL NPN/PNP
Q0662	4880214G02	NPN
Q0663	4880048M01	NPN
Q0681	4880052M01	NPN DARLINGTON
Q3101	4813827A07	NPN
Q3102	4813827A07	NPN
Q3141	4880214G02	NPN
Q3151	4880048M01	NPN
Q3152	4880048M01	NPN
Q4002	4813824A17	PNP
Q4003	4813827A07	NPN
Q4004	4805921T02	DUAL NPN/PNP
Q4301	4805218N63	DIODE DUAL SCHOTTKY
Q4332	4813827A07	NPN
Q4333	4809939C05	DUAL NPN/PNP
Q4421	5105385Y91	MRF1508
Q4431	4805537W01	MRF5015
Q4441	4880225C30	MRF650
Q4451	4880214G02	NPN
Q4471	4880048M01	NPN
Q4472	4805128M27	PNP
Q4473	4880214G02	NPN
R0101	0662057A73	10K

Circuit Ref	Motorola Part No.	Description
R0254	0662057A73	10K
R0255	0662057A73	10K
R0256	0662057A97	97K
R0257	0662057A57	2.2K
R0261	0662057A73	10K
R0262	0662057B08	270K
R0265	0662057A82	24K
R0267	0662057A89	47K
R0268	0662057A73	10K
R0269	0662057A41	470
R0273	0662057A82	24K
R0275	0662057A73	10K
R0276	0662057A77	15K
R0323	0662057A79	18K
R0324	0662057A79	18K
R0331	0662057A73	10K
R0332	0662057A73	10K
R0333	0662057A73	10K
R0335	0662057B02	150K
R0341	0662057A73	10K
R0342	0662057A55	1.8K
R0343	0662057B47	0
R0344	0662057A91	56K
R0345	0662057A66	5.1K
R0346	0662057A89	47K
R0347	0662057A89	47K
R0401	0662057A33	220
R0407	0662057M26	10
R0408	0662057A25	100
R0409	0662057M26	10
R0410	6580542Z01	FUSE 3A
R0412	0662057B47	0
R0441	0662057B47	0
R0442	0662057A49	1K
R0467	0662057M26	10
R0468	0662057A97	97K
R0481	0662057B47	0
R0482	0662057B47	0
R0510	0662057A65	4.7K
R0511	0662057A97	97K
R0512	0662057A77	15K
R0525	0662057A97	97K
R0529	0662057A89	47K
R0530	0662057B47	0
R0531	0662057A43	560
R0533	0662057B47	0
R0535	0662057A49	1K
R0537	0662057A33	220
R0538	0662057A33	220
R0539	0662057A65	4.7K
R0541	0662057A83	27K

Circuit Ref	Motorola Part No.	Description
R0543	0662057A97	97K
R0591	0662057A82	24K
R0592	0662057A01	10
R0593	0662057A97	97K
R0611	0662057A91	56K
R0612	0662057A65	4.7K
R0621	0662057A82	24K
R0641	0662057A73	10K
R0642	0660076E70	7.5K
R0643	0660076E51	1.2K
R0651	0662057A01	10
R0652	0662057A01	10
R0661	0662057A49	1K
R0662	0662057B02	150K
R0671	0662057A84	30K
R0672	0662057A73	10K
R0681	0662057A79	18K
R0682	0662057A93	68K
R3101	0662057A75	12K
R3102	0662057A01	10
R3105	0662057A25	100
R3106	0662057A83	27K
R3107	0662057A69	6.8K
R3108	0662057A44	620
R3111	0662057A75	12K
R3112	0662057A01	10
R3113	0662057A37	330
R3115	0662057A39	390
R3116	0662057A37	330
R3117	0662057A83	27K
R3118	0662057A69	6.8K
R3123	0662057B47	0
R3130	0662057A18	51
R3132	0662057A77	15K
R3133	0662057A71	8.2K
R3134	0662057A73	10K
R3135	0662057A51	1.2K
R3141	0662057A39	390
R3142	0662057A55	1.8K
R3144	0662057A58	2.4K
R3145	0662057A61	3.3K
R3146	0662057A45	680
R3147	0662057A75	12K
R3148	0662057B47	0
R3151	0662057A73	10K
R3152	0662057A73	10K
R3153	0662057A73	10K
R3154	0662057A73	10K
R4001	0662057A97	100K
R4002	0662057A37	330
R4003	0662057A63	3.9K

Circuit Ref	Motorola Part No.	Description
R4004	0662057A59	2.7K
R4005	0662057A73	10K
R4007	0662057A18	51
R4012	0662057A97	100K
R4013	0662057A35	270
R4014	0662057A01	10
R4016	0662057A61	3.3K
R4018	0662057A61	3.3K
R4022	0662057B47	0
R4051	0662057A18	51
R4052	0662057B47	0
R4060	0662057B10	330K
R4061	0662057A73	10K
R4062	0662057A53	1.5K
R4064	0662057B47	0
R4068	0662057A53	1.5K
R4069	0662057A49	1K
R4070	0662057A39	390
R4071	0662057A73	10K
R4072	0662057A73	10K
R4201	0662057A29	150
R4203	0662057A17	47
R4204	0662057A17	47
R4211	0662057B47	0
R4221	0662057A29	150
R4222	0662057A42	510
R4223	0662057A21	68
R4228	0662057A89	47K
R4241	0662057A33	220
R4251	0662057A87	39K
R4252	0662057A84	30K
R4261	0662057A89	47K
R4263	0662057A25	100
R4301	0662057A67	5.6K
R4302	0662057A73	10K
R4303	0662057A12	30
R4304	0662057A31	180
R4305	0662057A01	10
R4311	0662057A70	7.5K
R4312	0662057A67	5.6K
R4313	0662057A12	30
R4314	0662057A35	270
R4315	0662057B47	0
R4321	0662057A91	56K
R4322	0662057A73	10K
R4323	0662057A97	100K
R4331	0662057A09	22
R4341	0662057B47	0
R4342	0662057A57	2.2K
R4343	0662057A49	1K
R4344	0662057A01	10

Circuit Ref	Motorola Part No.	Description
R4346	0662057A73	10K
R4347	0662057B47	0
R4361	0662057A31	180
R4401	0662057A36	300
R4402	0662057A05	15
R4403	0662057A36	300
R4405	0662057A32	200
R4408	0662057A80	20K
R4409	0662057A97	100K
R4412	0662057A67	5.6K
R4415	0662057A25	100
R4416	0662057A25	100
R4421	0680194M01	10
R4422	0611079A69	620
R4423	0611079A69	620
R4424	0611079A69	620
R4425	0611079A69	620
R4427	0662057A73	10K
R4428	0662057A65	4.7K
R4457	0683962T51	120
R4473	0662057A64	4.3K
R4474	0662057A97	100K
R4475	0662057B47	0
R4480	0662057A73	10K
R4482	0662057B09	300K
R4483	0662057A97	100K
R4484	0662057A93	68K
R4485	0662057C53	120
R4486	0662057C53	120
R4487	0662057A97	100K
R4488	0662057A59	2.7K
R4491	0662057A74	11K
R4492	0662057A73	10K
R4495	0680195M18	51
R4496	0680194M23	82
R4497	0680195M18	51
R4501	0662057A67	5.6K
R4502	0662057A93	68K
R4503	0662057A63	3.9K
R4504	0662057A73	10K
R4506	0662057A73	10K
R4507	0662057A73	10K
R4511	0680194M18	51
R4512	0662057A41	470
R4513	0662057A73	10K
R4514	0662057A61	3.3K
R4600	0662057C19	4.7
R4601	0662057C19	4.7
R4602	0662057C19	4.7
R4631	0662057A49	1K
R4632	0662057A82	24K

Circuit Ref	Motorola Part No.	Description
SH4301	2602641Y02	SHIELD
SH4302	2602641Y02	SHIELD
T4051	2505515V03	TRANSFORMER 4:1
T4052	2505515V04	TRANSFORMER 5:1
U0101	5102226J56	MICROPROCESSOR
U0111	5102463J64	EEPROM
U0121	5186137B01	IC, FLASH ROM
U0122	5185748L01	SRAM
U0141	5113805A30	REMUX
U0211	5183222M49	IC, QUAD OPAMP
U0221	5185130C53	IC, ASFIC
U0251	5184704M60	IC-CMOS ANALOG
U0271	5109699X01	AUDIO PA
U0301	5109152M01	EEPROM ANALOG
U0331	5186204B01	BUFFER / DRIVER
U0341	5113818A01	LINEAR IC OP AMP
U0342	5105750U28	IC CMOS SWITCH
U0351	5102463J40	REGULATOR, 3.3V
U0611	5183308X01	ADJUSTABLE VOLTAGE REGULATOR
U0641	5183308X01	ADJUSTABLE VOLTAGE REGULATOR
U0651	5113816A07	REGULATOR, 5V
U0652	5113815A02	UNDERVOLT SENSOR
U3101	5186144B01	IC, IF
U3111	5102463J52	QUAD ANALOG SWITCH
U3115	5102463J52	QUAD ANALOG SWITCH
U4201	5185963A27	IC FRACTN
U4211	5185963A33	IC, VOLTAGE REGULATOR
U4301	5105750U54	IC, VCO
U4401	5185130C65	IC LDMOS DRIVER
U4501	5185765B26	IC POWER CONTROL
U4502	5185963A15	IC TEMPERATURE SENSOR
VR0151	4813830A15	DIODE, 5.6V
VR0501	4805656W09	DIODE, ZENER
VR0503	4805656W09	DIODE, ZENER
VR0504	4813830A40	DIODE, ZENER
VR0505	4805656W09	DIODE, ZENER
VR0509	4813830A40	DIODE, ZENER
VR0510	4813830A40	DIODE, ZENER
VR0537	4813830A15	DIODE, 5.6V
VR0541	4813830A27	DIODE, 14V
VR0601	4813832C77	DIODE
VR0621	4813830A15	DIODE, 5.6V
VR4471	4813830A15	DIODE, 5.6V
VR4473	4813830A15	DIODE, 5.6V
Y0131	4880113R19	CRYSTAL 38.4KHZ
Y3101	4880606B09	2ND OSC XTAL 44.395 MHZ
Y3102	9186145B02	455KHz DISCRIMINATOR
Y4262	4886182B01	TCXO 16.8MHZ

* Motorola Depot Servicing only
 Reference designators with an asterisk indicate components which are not field replaceable because they need to be calibrated with specialized factory equipment after installation.
 Radios in which these parts have been replaced in the field will be off frequency at temperature extremes.

THIS PAGE INTENTIONALLY LEFT BLANK



MOTOROLA

GM338

Mobile Radios

UHF2 40W Bipolar (450-520MHz)

Service Information

Computer Software Copyrights

The Motorola products described in this manual may include copyrighted Motorola computer programs stored in semiconductor memories or other media. Laws in the United States and other countries preserve for Motorola certain exclusive rights for copyrighted computer programs, including the exclusive right to copy or reproduce in any form, the copyrighted computer program. Accordingly, any copyrighted Motorola computer programs contained in the Motorola products described in this manual may not be copied or reproduced in any manner without the express written permission of Motorola. Furthermore, the purchase of Motorola products shall not be deemed to grant, either directly or by implication, estoppel or otherwise, any license under the copyrights, patents or patent applications of Motorola, except for the normal non-exclusive royalty-free license to use that arises by operation of law in the sale of a product.

Table of Contents

Section 1 Model Chart and Technical Specifications

1.0 GM338 Model Chart.....	1-1
2.0 Technical Specifications	1-1

Section 2 Theory of Operation

1.0 Introduction	2-1
2.0 UHF (450-520 MHz) Receiver	2-1
2.1 Receiver Front-End	2-1
2.2 Front-End Band-Pass Filters & Pre-Amplifier	2-2
2.3 First Mixer and High Intermediate Frequency (IF).....	2-2
2.4 Low Intermediate Frequency (IF) and Receiver Back End.....	2-3
3.0 Transmitter Power Amplifier (PA) 40W	2-3
3.1 Power Controlled Stage.....	2-4
3.2 Pre-Driver Stage.....	2-4
3.3 Driver Stage.....	2-4
3.4 Final Stage	2-4
3.5 Bi-Directional Coupler.....	2-4
3.6 Antenna Switch.....	2-5
3.7 Harmonic Filter	2-5
3.8 Power Control.....	2-5
4.0 Frequency Synthesis	2-6
4.1 Reference Oscillator	2-6
4.2 Fractional-N Synthesizer	2-6
4.3 Voltage Controlled Oscillator (VCO).....	2-8
4.4 Synthesizer Operation	2-9

Section 3 Troubleshooting Charts

1.0 Troubleshooting Flow Chart for Receiver	3-1
2.0 Troubleshooting Flow Chart for 40W Transmitter	3-3
3.0 Troubleshooting Flow Chart for Synthesizer.....	3-4
4.0 Troubleshooting Flow Chart for VCO.....	3-5

Section 4 UHF PCB/Schematics/Parts Lists

1.0	Allocation of Schematics and Circuit Boards	4-1
1.1	Controller Circuits	4-1
2.0	UHF Band 2 25-40W PCB / Schematics / Parts List	4-3
	UHF Band 2 (450-520 MHz) 40W 8480645Z04 Top Side.....	4-3
	UHF Band 2 (450-520 MHz) 40W 8480645Z04 Bottom Side.....	4-4
	UHF Band 2 (450-520 MHz) Power Amplifier 40W	4-5
	UHF Band 2 (450-520 MHz) FRACN	4-6
	UHF Band 2 (450-520 MHz) Voltage Controlled Oscillator	4-7
	UHF Band 2 (450-520 MHz) Receiver Front End.....	4-8
	UHF Band 2 (450-520 MHz) IF.....	4-9
	UHF Band 2 PCB 8480645Z04 Parts List 25-40W.....	4-10

Section 1

MODEL CHART AND TECHNICAL SPECIFICATIONS

1.0 GM338 Model Chart

GM Series, UHF Band 2, 450-520 MHz		
Model		Description
AZM25SKF9AA5		GM338 450-520 MHz 25-40W
	Item	Description
X	GCN6114_	GM338 Control Head Direct Mount
X	IMUE6019_	Tanapa WM 450-520 MHz 25-40W
X	RAE4155_	BNC 470-512 MHz, 1/4 Wave Roof Mount
X	RAE4156_	BNC 470-494 MHz, 3.5 Gain Roof Mount
X	RAE4157_	BNC 494-512 MHz, 5dB Gain Roof Mount
X	6804112J06	GM338 User Guide

x = Indicates one of each is required.

2.0 Technical Specifications

Data is specified for +25°C unless otherwise stated.

General Specifications	
Channel Capacity GM338	128
Power Supply	13.2Vdc (10.8 - 15.6Vdc)
Dimensions: H x W x D (mm) Depth excluding knobs	GM338 59mm x 179mm x 198mm (25 - 40W) (add 9mm for Volume Knob)
Weight GM338	1400 g
Sealing:	Withstands rain testing per MIL STD 810 C/D/E and IP54
Shock and Vibration:	Protection provided via impact resistant housing exceeding MIL STD 810-C/D/E
Dust, Salt & Fog:	Protection provided via environment resistant housing exceeding MIL STD 810 C/D/E

Transmitter	UHF
*Frequencies - Full Bandsplit	UHF 450-520 MHz
Channel Spacing	12.5/20/25 kHz
Frequency Stability (-30°C to +60°C, +25° Ref.)	±2.0 ppm
Power	25-40W
Modulation Limiting	±2.5 @ 12.5 kHz ±4.0 @ 20 kHz ±5.0 @ 25 kHz
FM Hum & Noise	-40 dB @ 12.5kHz -45 dB @ 20/25kHz
Conducted/Radiated Emission (ETS)	-36 dBm <1 GHz -30 dBm >1 GHz
Adjacent Channel Power	-60 dB @ 12.5 kHz -70 dB @ 25 kHz
Audio Response (300 - 3000 Hz)	+1 to -3 dB
Audio Distortion @ 1000Hz, 60% Rated Maximum Deviation	<3% typical

Receiver	UHF
*Frequencies - Full Bandsplit	UHF 450-520 MHz
Channel Spacing	12.5/20/25 kHz
Sensitivity (12 dB SINAD)	0.30 µV (0.22 µV typical)
Intermodulation (ETS)	>65 dB
Adjacent Channel Selectivity (ETS)	65 dB @ 12.5 kHz 70 dB @ 20 kHz 75 dB @ 25 kHz
Spurious Rejection (ETS)	70 dB @ 12.5 kHz 75 dB @ 20/25 kHz
Rated Audio	3W Internal 7.5W External 13W External
Audio Distortion @ Rated Audio	<3% typical
Hum & Noise	-40 dB @ 12.5 kHz -45 dB @ 20/25 kHz
Audio Response (300 - 3000Hz @ 20/25kHz) (300 - 2550Hz @ 12.5kHz)	+1 to -3 dB
Conducted Spurious Emission (ETS)	-57 dBm <1 GHz -47 dBm >1 GHz

*Availability subject to the laws and regulations of individual countries.

Section 2

THEORY OF OPERATION

1.0 Introduction

This Chapter provides a detailed theory of operation for the UHF circuits in the radio. For details of the theory of operation and troubleshooting for the associated Controller circuits refer to the Controller Section of this manual.

2.0 UHF (450-520 MHz) Receiver

2.1 Receiver Front-End

The UHF receiver, shown in Figure 2-1, is able to cover the UHF range from 450 to 520 MHz. It consists of four major blocks: front-end bandpass filters and pre-amplifier, first mixer, high-IF, low-IF and receiver back-end. Two varactor-tuned bandpass filters perform antenna signal pre-selection. A cross over quad diode mixer converts the signal to the first IF of 44.85 MHz. Low-side first injection is used.

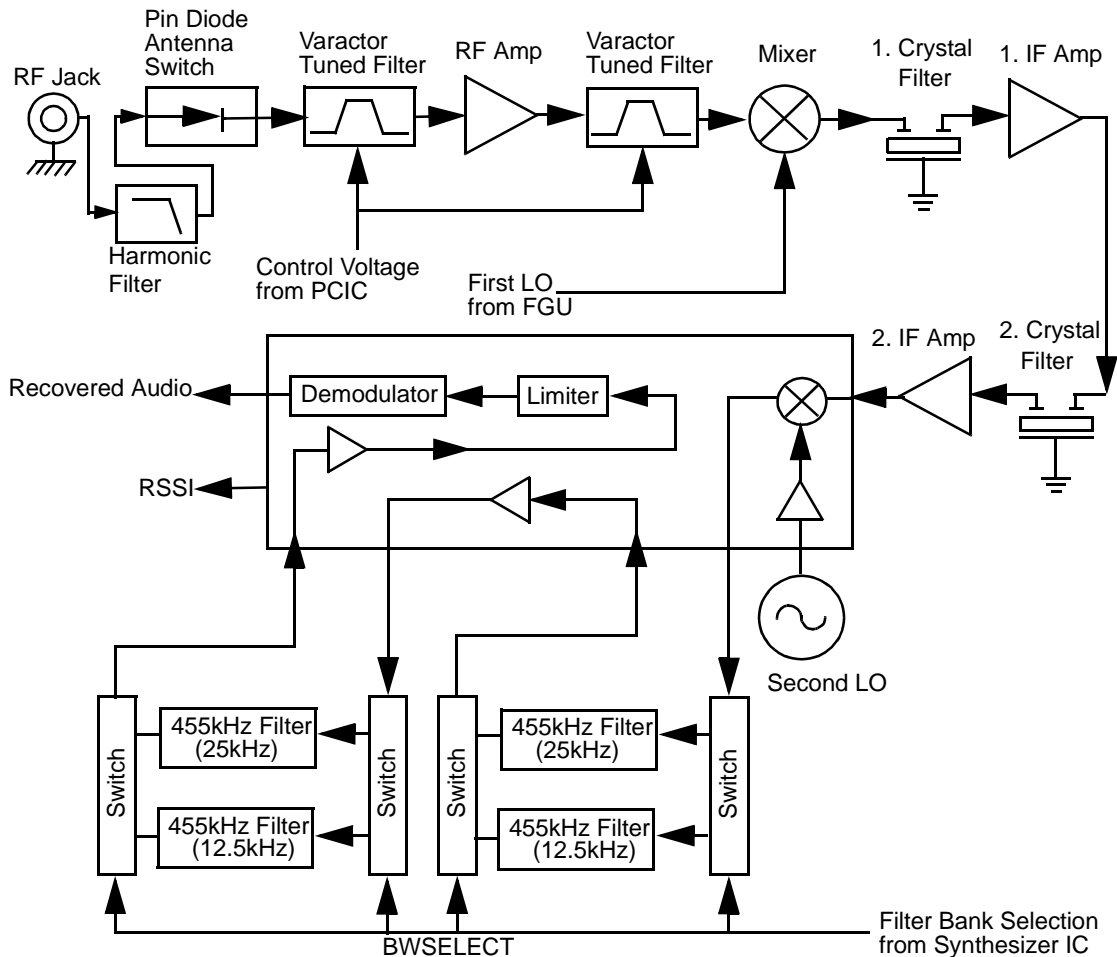


Figure 2-1 UHF Receiver Block Diagram

The two 2-pole 44.85 MHz crystal filters in the high-IF section and two pairs of 455 kHz ceramic filters in the low-IF section provide the required adjacent channel selectivity. The correct pair of ceramic filters for 12.5 or 25KHz channel spacing is selected via control line BWSELECT. The second IF at 455 kHz is mixed, amplified, and demodulated in the IF IC. The processing of the demodulated audio signal is performed by an audio processing IC located in the controller section.

2.2 Front-End Band-Pass Filters & Pre-Amplifier

The received signal from the radio's antenna connector is first routed through the harmonic filter and antenna switch, which are part of the RF power amplifier circuits, before being applied to the receiver pre-selector filter (C5001, C5002, D5001, and related components). The 2-pole pre-selector filter, tuned by the varactor diodes D5001 and D5002, pre-select the incoming signal (RXIN) from the antenna switch to reduce spurious effects to the stages that follow. The tuning voltage (FECTRL_1), ranging from 2 volts to 8 volts, is controlled by pin 20 of PCIC (U5501) in the transmitter section. A dual hot carrier diode (D5003) limits any inband signal to 0 dBm to prevent damage to the pre-amplifier.

The RF pre-amplifier is an SMD device (Q5003) with collector base feedback to stabilize gain, impedance, and intermodulation. The collector current of approximately 11-16 mA is drawn from the 9.3 volt supply via L5003 and R5002. A 3dB pad (R5006, R5007, R5011, and R5008 - R5010) stabilizes the output impedance and intermodulation performance.

A second 2-pole varactor tuned bandpass filter provides additional filtering of the amplified signal. Varactor diodes D5004 and D5005 are controlled by the same signal, FECTRL_1, which controls the pre-selector filter. A following 1 dB pad (R5013 - R5015) stabilizes the output impedance and intermodulation performance.

2.3 First Mixer and High Intermediate Frequency (IF)

The signal from the front-end is converted to the first IF (44.85 MHz) using cross-over, quad diode mixer D5051. Its ports are matched for incoming RF signal conversion to the 44.85 MHz IF using low side injection via matching transformers T5051 and T5052. The injection signal (RXINJ) coming from the RX VCO buffer (Q5332) is filtered by the lowpass filter consisting of L5053, L5054, and C5053 - C5055 followed by matching transformer T5052 which has a level of approximately 15dBm.

The mixer IF output signal from transformer T5501, pin 2 is fed to the first two-pole crystal filter (FL3101). The filter output in turn is matched to IF amplifier Q3101 which is actively biased using collector-base feedback resistors R3101 and R3106 to provide a current drain of approximately 5 mA drawn from the 5 volt supply. The output impedance of this device is matched to the second two-pole crystal filter FL3102. The signal is further amplified by a preamplifier Q3102 before going to pin 1 of IFIC (U3101).

A dual, hot carrier diode (D3101) limits the filter output voltage swing to reduce overdrive effects at RF input levels above -27 dBm.

2.4 Low Intermediate Frequency (IF) and Receiver Back End

The 44.85 MHz first IF signal from the second IF amplifier feeds the IF IC (U3101) at pin 1. Within the IF IC the 44.85 MHz high IF signal mixes with the 44.395 MHz second local oscillator to produce a low IF signal of 455 kHz. The second LO frequency is determined by crystal Y3101. The second IF signal is amplified and filtered by an external pair of 455 kHz ceramic filters (FL3112 and FL3114) for 20/25 kHz channel spacing, or FL3111 and FL3113/F3115 for 12.5 kHz channel spacing. These pairs are selectable via BWSELECT. The filtered output from the ceramic filters is applied to the limiter input pin of the IF IC (pin 14).

The IF IC contains a quadrature detector using a ceramic phase-shift element (Y3102) to provide audio detection. Internal amplification provides an audio output level of 120 mV rms (at 60% deviation) from U3103, pin 8 (DISCAUDIO) which is fed to ASFIC_CMP U0221, pin 2 (part of the controller circuits).

A received signal strength indicator (RSSI) signal is available at U3101, pin 5, which has a dynamic range of 70 dB. The RSSI signal is interpreted by the μ P (U0101, pin 63) and is available at accessory connector J0501-15.

3.0 Transmitter Power Amplifier (PA) 40W

The radio's 40W power amplifier (PA), shown in Figure 2-2, is a four-stage amplifier used to amplify the output from the VCOBIC to the radio transmit level. The first stage is an LDMOS predriver (U5401) controlled by pin 4 of PCIC (U5501) via Q5473 (CNTLVLTG). This stage is followed by another LDMOS stage (Q5421), LDMOS stage Q5431, and a bipolar final stage (Q5441). Device Q5401 is surface mounted and Q5421, Q5431, and Q5441 are directly attached to the heat sink.

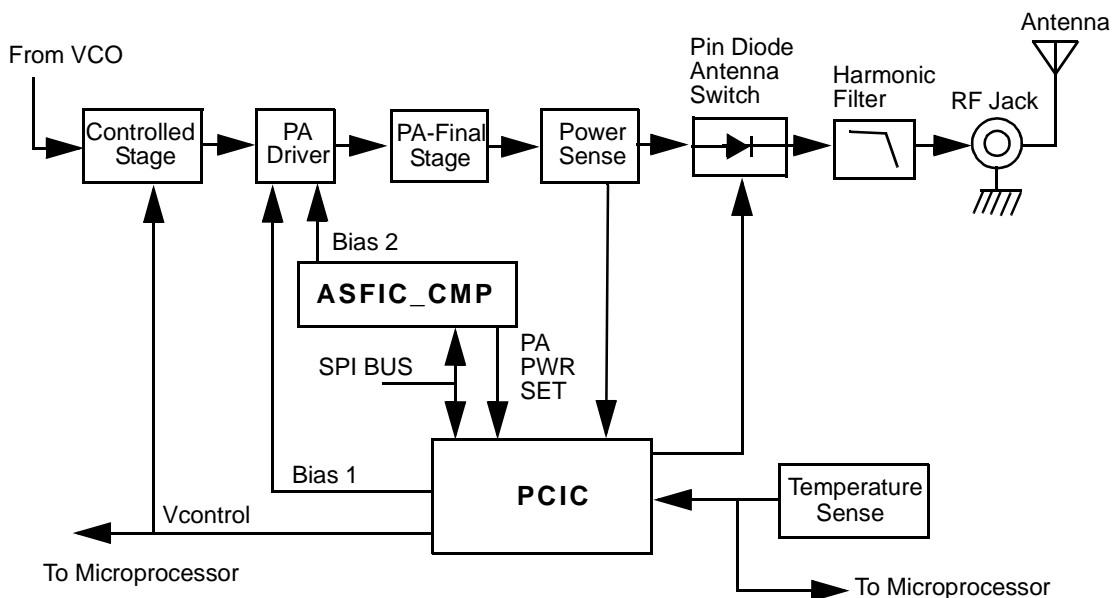


Figure 2-2 UHF Transmitter Block Diagram

3.1 Power Controlled Stage

The first stage (U5401) amplifies the RF signal from the VCO (TXINJ) and controls the output power of the PA. The output power of the transistor U5401 is controlled by a voltage control line feed from the PCIC (U5501, pin 4). The control voltage simultaneously varies the bias of two FET stages within U5401. This biasing point determines the overall gain of U5401 and therefore its output drive level to Q5421, which in turn controls the output power of the PA.

In receive mode, the voltage control line is at ground level and turns off Q5473, which in turn switches off the biasing voltage to U5401.

3.2 Pre-Driver Stage

The next stage is a 13dB gain LDMOS device (Q5421) which requires a positive gate bias and a quiescent current flow for proper operation. The voltage of the line PCIC_MOSBIAS_1 is set in transmit mode by PCIC, pin 24 and fed to the gate of Q5421 via the resistive network R5407, R5408, R5416, and R5415. The bias voltage is factory tuned.

3.3 Driver Stage

This stage is an enhancement-mode N-Channel MOSFET device (Q5431) providing a gain of 10dB. This device also requires a positive gate bias and a quiescent current flow for proper operation. The voltage of the line Bias_2_UHF_PA_1 is set in transmit mode by the ASFIC and fed to the gate of Q5431 via resistive network R5630, R5631, and R5632. This bias voltage is also factory tuned.

If the transistor is replaced, the bias voltage must be tuned using the Customer Programming Software (CPS). Care must be taken not to damage the device by exceeding the maximum allowed bias voltage. The device's drain current is drawn directly from the radio's dc supply voltage input, A+ via L5421.

3.4 Final Stage

The final stage uses bipolar device Q5441 whose collector current is also drawn from the radio's dc supply voltage input. To maintain class C operation, the base is dc-grounded by series inductor L5441 and bead L5440. A matching network consisting of C5541-C5544 and two striplines transform the impedance to 50 ohms and also feed the directional coupler.

3.5 Bi-Directional Coupler

The bi-directional coupler is a microstrip printed circuit, which couples a small amount of the forward and reverse power of the RF power from Q5441. The coupled signal is rectified to an output power proportional dc voltage by diodes D5451 and D5452 before being sent to the RFIN input of the PCIC. The PCIC controls the gain of stage U5401 as necessary to hold this voltage constant. This ensures the forward power out of the radio is held to a constant value.

3.6 Antenna Switch

The antenna switch utilizes the existing dc feed (A+) to the last stage device (Q5441). Basic operation is to have both PIN diodes (D5471 and D5472) turned on during key-up by forward biasing them. This is achieved by pulling down the voltage at the cathode end of D5472 to around 11.8V (0.7V drop across each diode). The current through the diodes needs to be set around 80mA to fully open the transmit path through resistor R5496. Q5472 is a current source controlled by Q5471 and is eventually connected to pin ANO of PCIC. VR5471 ensures the voltage at resistor R4511 never exceeds 5.6V.

3.7 Harmonic Filter

Inductors L5491, L5492, and L4493 along with capacitors C5448, C5493, C5494, C5496, and C5498 form a low-pass filter to attenuate harmonic energy from the transmitter. Resistor R5491 drains any electrostatic charges that might otherwise build up on the antenna. The harmonic filter also prevents high level RF signals above the receiver passband from reaching the receiver circuits to improve spurious response rejection.

3.8 Power Control

The transmitter uses the power control IC (PCIC, U5501) to control the power output of the radio. A portion of the forward RF power from the transmitter is sampled by the bi-directional coupler and rectified to provide a dc voltage to the RFIN port of the PCIC (pin 1) that is proportional to the sampled RF power.

The PCIC has internal digital-to-analog converters (DACs) which provide a reference voltage to the control loop. The reference voltage level is programmable through the SPI line of the PCIC and is proportional to the desired power setting of the transmitter. Factory programming at several points across the frequency range of the transmitter is used to offset frequency response variations of the transmitter's power detector circuits.

The PCIC provides a dc output voltage at pin 4 (INT) and applied as CNTLVLTG to the power-adjust input pin of the first transmitter stage U5401. This adjusts the transmitter power output to the intended value. Variations in forward or reflected transmitter power cause the dc voltage at pin 1 to change, and the PCIC adjusts the control voltage above or below its nominal value to raise or lower output power.

Capacitor C5502-4, in conjunction with resistors and integrators within the PCIC, control the transmitter power rise (key-up) and power decay (de-key) characteristic to minimize splatter into adjacent channels.

U5502 is a temperature-sensing device, which monitors the circuit board temperature in the vicinity of the transmitter driver and final devices, and provides a dc voltage to the PCIC (TEMP, pin 29) proportional to temperature. If the dc voltage produced exceeds the set threshold in the PCIC, the transmitter output power is reduced to decrease the transmitter temperature.

4.0 Frequency Synthesis

The synthesizer, shown in Figure 2-3, consists of a reference oscillator (Y5261 or Y5262), low voltage LVFRAC-N synthesizer (U5201), and a voltage controlled oscillator (VCO).

4.1 Reference Oscillator

The reference oscillator (Y5262) contains a temperature compensated crystal oscillator with a frequency of 16.8 MHz. An analog-to-digital (A/D) converter internal to U5201 (LVFRAC-N) and controlled by the μ P via serial interface (SRL) sets the voltage at the warp output of U5201, pin 25 to set the frequency of the oscillator. The output of the oscillator (Y5262, pin 3) is applied to pin 23 (XTAL1) of U5201 via an RC series combination.

In applications where less frequency stability is required, the oscillator inside U5201 is used along with external crystal Y5261, varactor diode D5261, C5261, C5262, and R5262. In this case, Y5262, R5263, C5235 and C5251 are not used. When Y5262 is used, Y5261, D5261, C5261, C5262 and R5262 are not used, and C5263 is increased to 0.1 μ F.

4.2 Fractional-N Synthesizer

The LVFRAC-N synthesizer IC (U5201) consists of a pre-scaler, programmable loop divider, control divider logic, phase detector, charge pump, A/D converter for low frequency digital modulation, balanced attenuator used to balance the high frequency analog modulation and low frequency digital modulation, 13V positive voltage multiplier, serial interface for control, and a super filter for the regulated 5 volts.

A voltage of 5V applied to the super filter input (U5201, pin 30) supplies an output voltage of 4.5 Vdc (VSF) at pin 28. It supplies the VCO, VCO modulation bias circuit (via R5322), and synthesizer charge pump resistor network (R5251, R5252). The synthesizer supply voltage is provided by 5V regulator, U5211.

To generate a high voltage to supply the phase detector (charge pump) output stage at pin VCP (U5701-32), a voltage of 13 Vdc is generated by the positive voltage multiplier circuit (D5201, C5202, and C5203). This voltage multiplier is basically a diode capacitor network driven by two signals (1.05MHz) 180 degrees out of phase (U5201, pins 14 and 15).

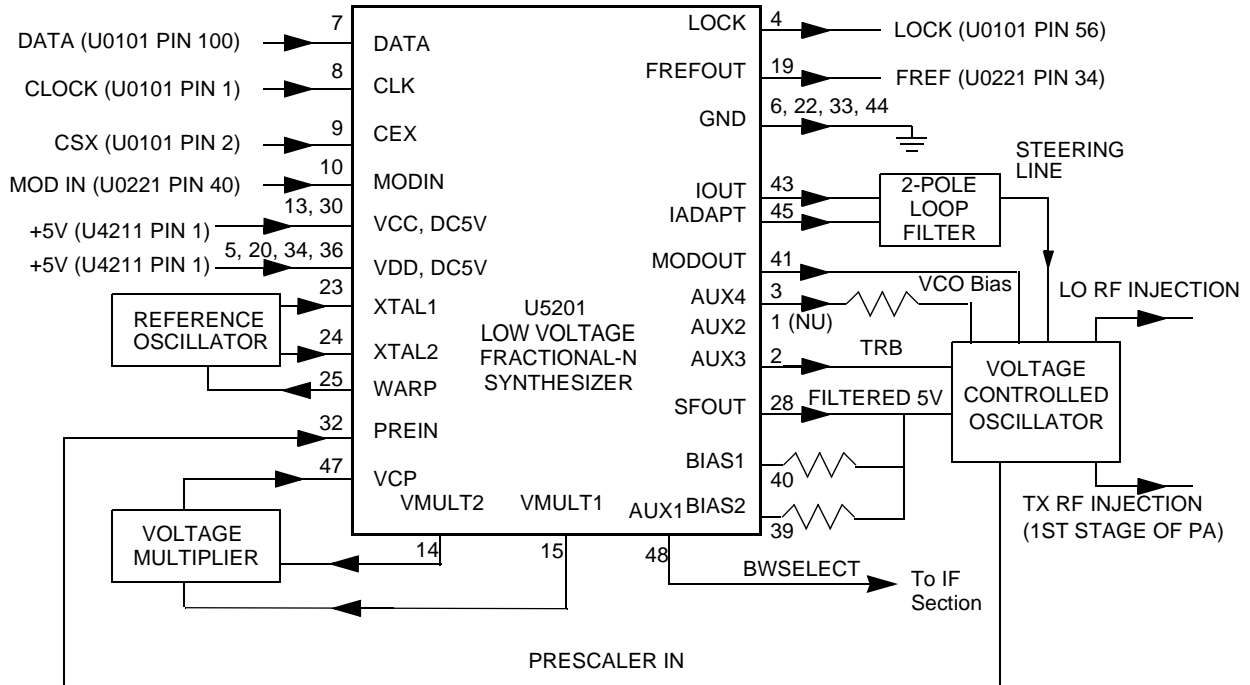


Figure 2-3 UHF Synthesizer Block Diagram

Output LOCK (U5201-4) provides information about the lock status of the synthesizer loop. A high level at this output indicates a stable loop. IC U5201 provides the 16.8 MHz reference frequency at pin 19.

The serial interface (SRL) is connected to the μ P via data line DATA (U5201-7), clock line CLK (U5201-8), and chip enable line CSX (U5201-9).

4.3 Voltage Controlled Oscillator (VCO)

The voltage controlled oscillator (VCO), shown in Figure 2-4, consists of a VCO buffer IC (VCOBIC, U5301), TX and RX tank circuits, external RX buffer stages, and modulation circuits.

The VCOBIC together with Fractional-N synthesizer (U5201) generates the required frequencies in both transmit and receive modes. The TRB line (U5301, pin 19) determines which tank circuits and internal buffers are to be enabled. A high level on TRB enables TX tank and TX output (pin 10), and a low enables RX tank and RX output (pin 8). A sample of the signal from the enabled output is routed from U5301, pin 12 (PRESC_OUT), via a low pass filter of U5201, pin 32 (PREIN).

A steering line voltage (VCTRL) between 3.0V and 10.0V at varactor diode CR5311 tunes the full TX frequency range (TXINJ) from 450 MHz to 520 MHz, and at varactor diodes CR5301, CR5302, and CR5303 tunes the full RX frequency range (RXINJ) from 405 MHz to 475 MHz. The tank circuits use the Hartley configuration for wider bandwidth. For the RX tank circuit, external transistor Q5301 is used in conjunction with the internal transistor for better side-band noise.

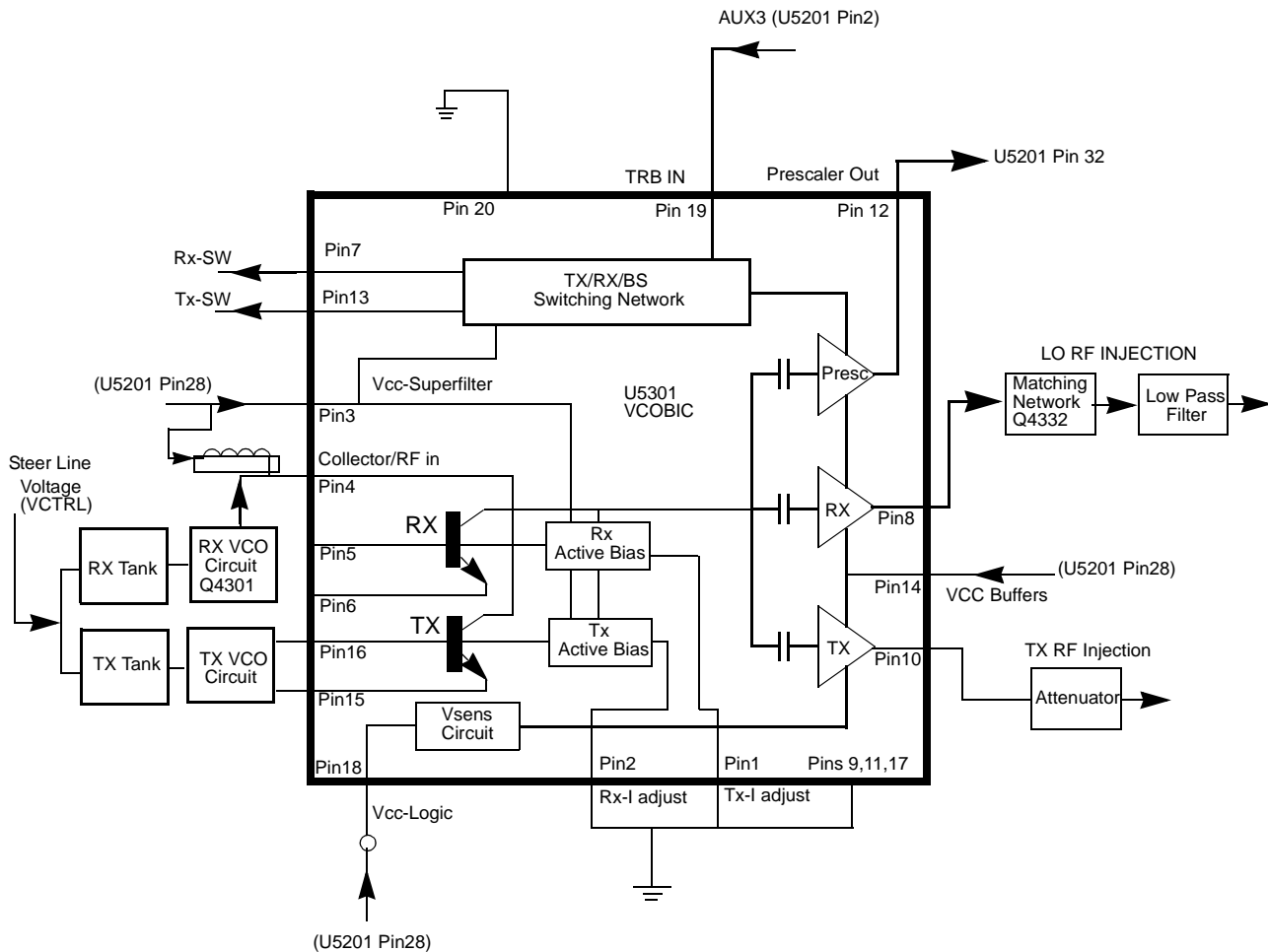


Figure 2-4 UHF VCO Block Diagram

The external RX buffers (Q5332) are enabled by a high at U5201, pin 3 (AUX4) via transistor switch Q5333. In TX mode, the modulation signal (VCOMOD) from the LVFRAC-N synthesizer IC (U5201, pin 41) is applied to the modulation circuits CR5321, R5321, R5322, and C5324. These modulate the TX VCO frequency via coupling capacitor C5321. Varactor CR5321 is biased for linearity from the VSF.

4.4 Synthesizer Operation

The synthesizer consists of a low voltage FRAC-N (LVFRACN) IC, reference oscillator (crystal oscillator with temperature compensation), charge pump circuits, loop filter circuits, and dc supply. The output signal (PRESC_OUT) of the VCOBIC (U5301, pin12) is fed to of U5201, pin 32 (PREIN) via a low pass filter (C5229,L5225,and C5226) which attenuates harmonics and provides correct level to close the synthesizer loop.

The pre-scaler in the synthesizer (U5201) is a dual modulus pre-scaler with selectable divider ratios. The divider ratio of the pre-scaler is controlled by the loop divider, which in turn receives its inputs via the SRL. The output of the pre-scaler is applied to the loop divider. The output of the loop divider is connected to the phase detector, which compares the loop divider's output signal with the reference signal. The reference signal is generated by dividing down the signal of the reference oscillator (Y5261 or Y5262).

The output signal of the phase detector is a pulsed dc signal routed to the charge pump. The charge pump outputs a current at U5201, pin 43 (IOUT). The loop filter (consisting of R5221-R5223, C5221-C5225, and L5221) transforms this current into a voltage that is applied to varactor diodes CR5311 for transmit, CR5301, CR5302 and CR5303 for receive and alters the output frequency of the VCO. The current can be set to a value fixed in the LVFRAC-N IC or to a value determined by the currents flowing into BIAS 1 (U5201-40) or BIAS 2 (U5201-39). The currents are set by the value of R5251 or R5252 respectively. The selection of the three different bias sources is done by software programming.

To reduce synthesizer lock time, when new frequency data has been loaded into the synthesizer, the magnitude of the loop current is increased by enabling the IADAPT (U5201-45) for a certain software programmable time (Adapt Mode). The adapt mode timer is started by a low to high transition of the CSX line. When the synthesizer is within the lock range, the current is determined only by the resistors connected to BIAS 1, BIAS 2, or the internal current source. A settled synthesizer loop is indicated by a high level of signal LOCK (U5201-4) which is routed to one of the μ P's ADCs input U101-56. From the voltage the μ P determines whether LOCK is active.

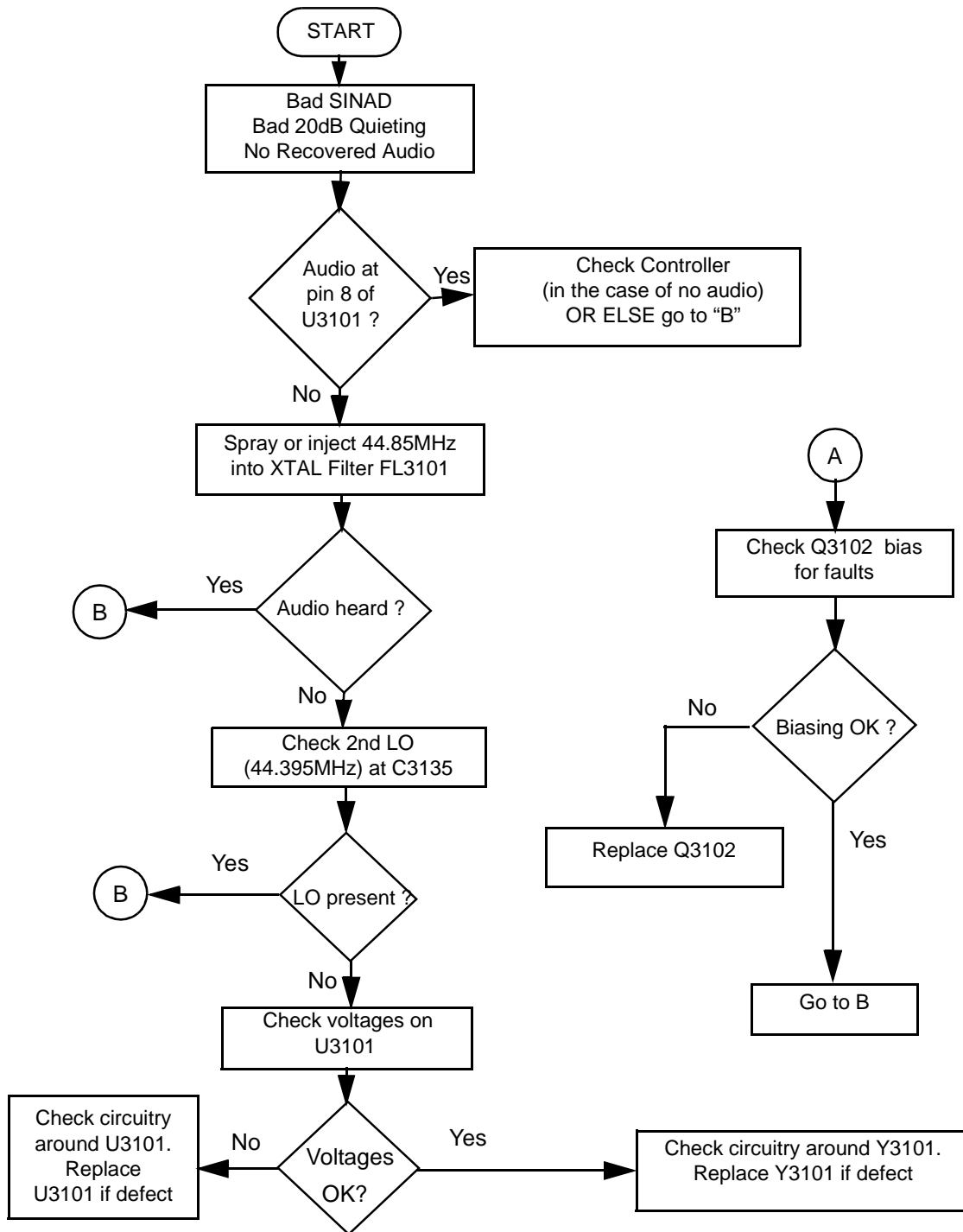
To modulate the PLL, the two-spot modulation method is utilized via pin 10 (MODIN) on U5201. The audio signal is applied to both the A/D converter (low frequency path) and the balanced attenuator (high frequency path). The A/D converter converts the low frequency analog modulating signal into a digital code which is applied to the loop divider, thereby causing the carrier to deviate. The balance attenuator is used to adjust the VCO's deviation sensitivity to high frequency modulating signals. The output of the balance attenuator is present at the MODOUT port (U5201-41) and connected to the VCO modulation diode CR5321 via R5321 and C5325.

THIS PAGE INTENTIONALLY LEFT BLANK

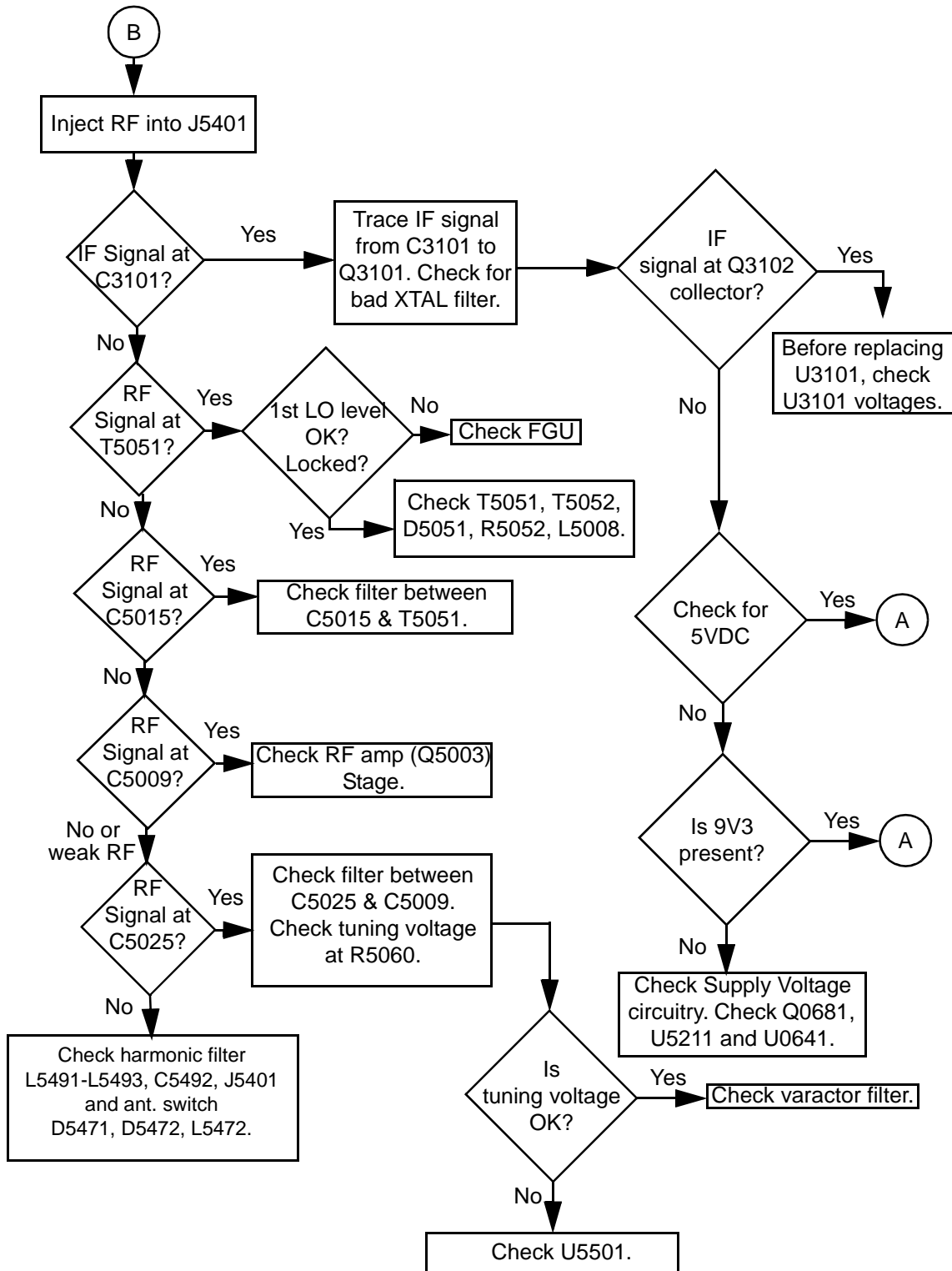
Section 3

TROUBLESHOOTING CHARTS

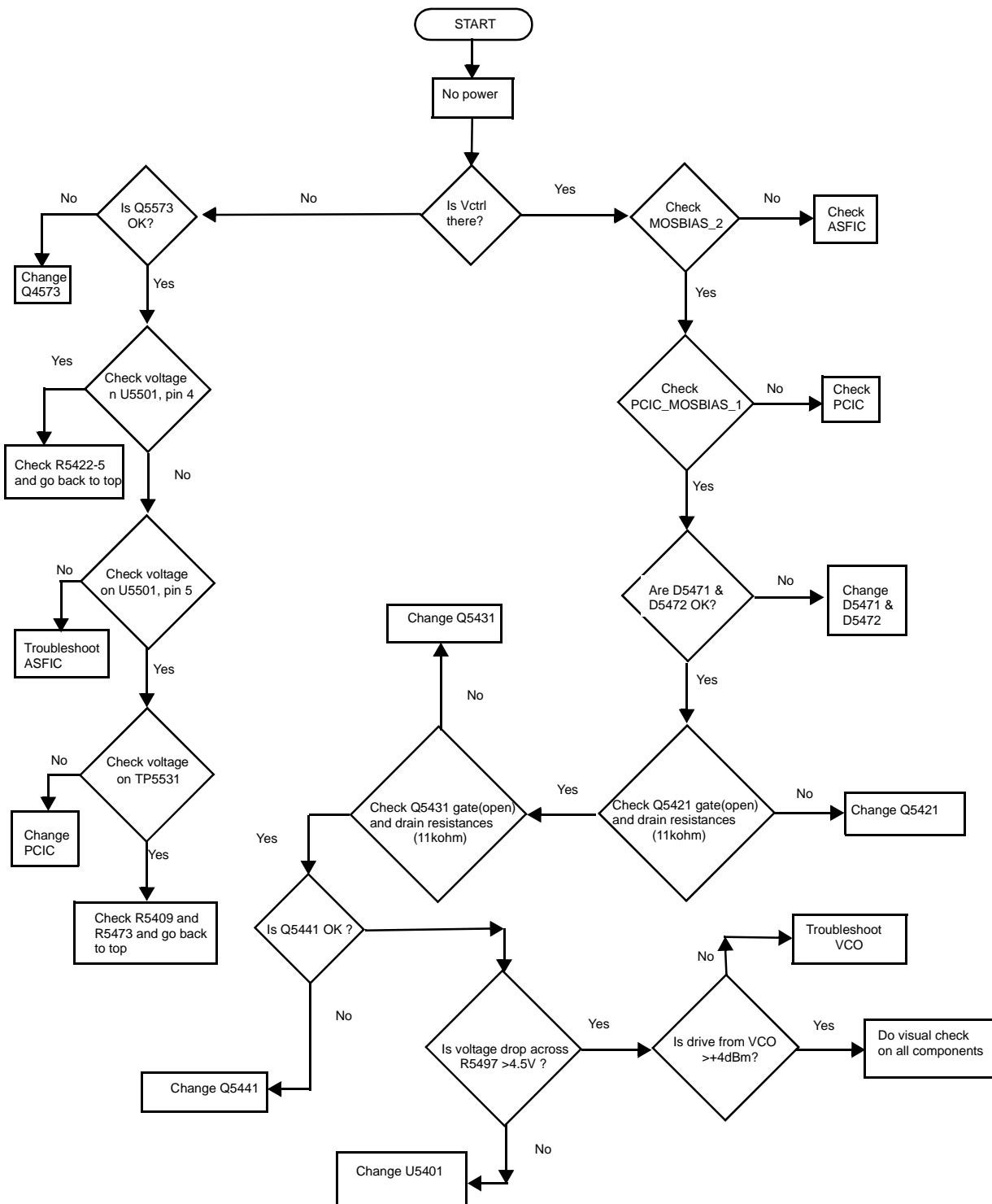
1.0 Troubleshooting Flow Chart for Receiver (Sheet 1 of 2)



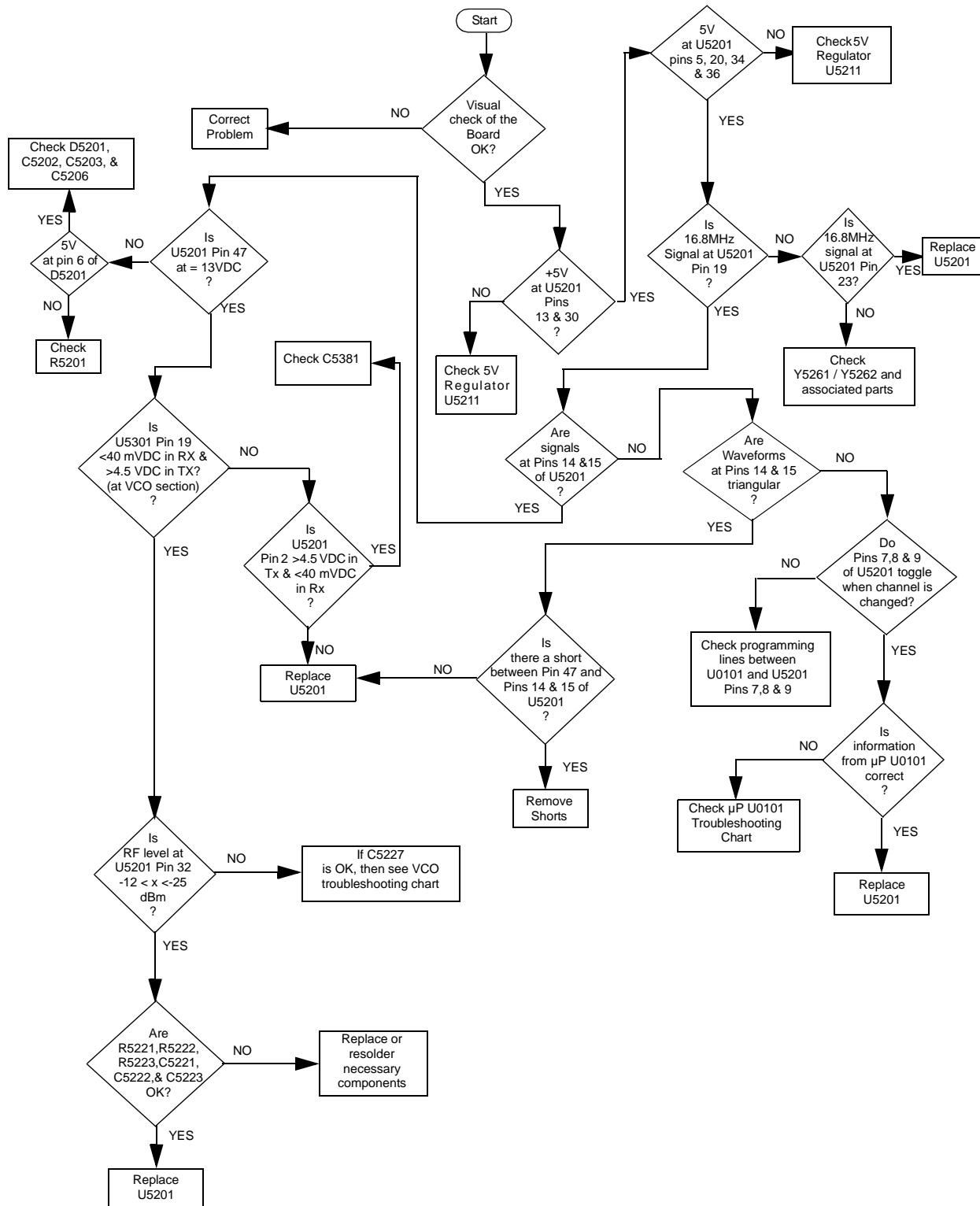
1.1 Troubleshooting Flow Chart for Receiver (Sheet 2 of 2)



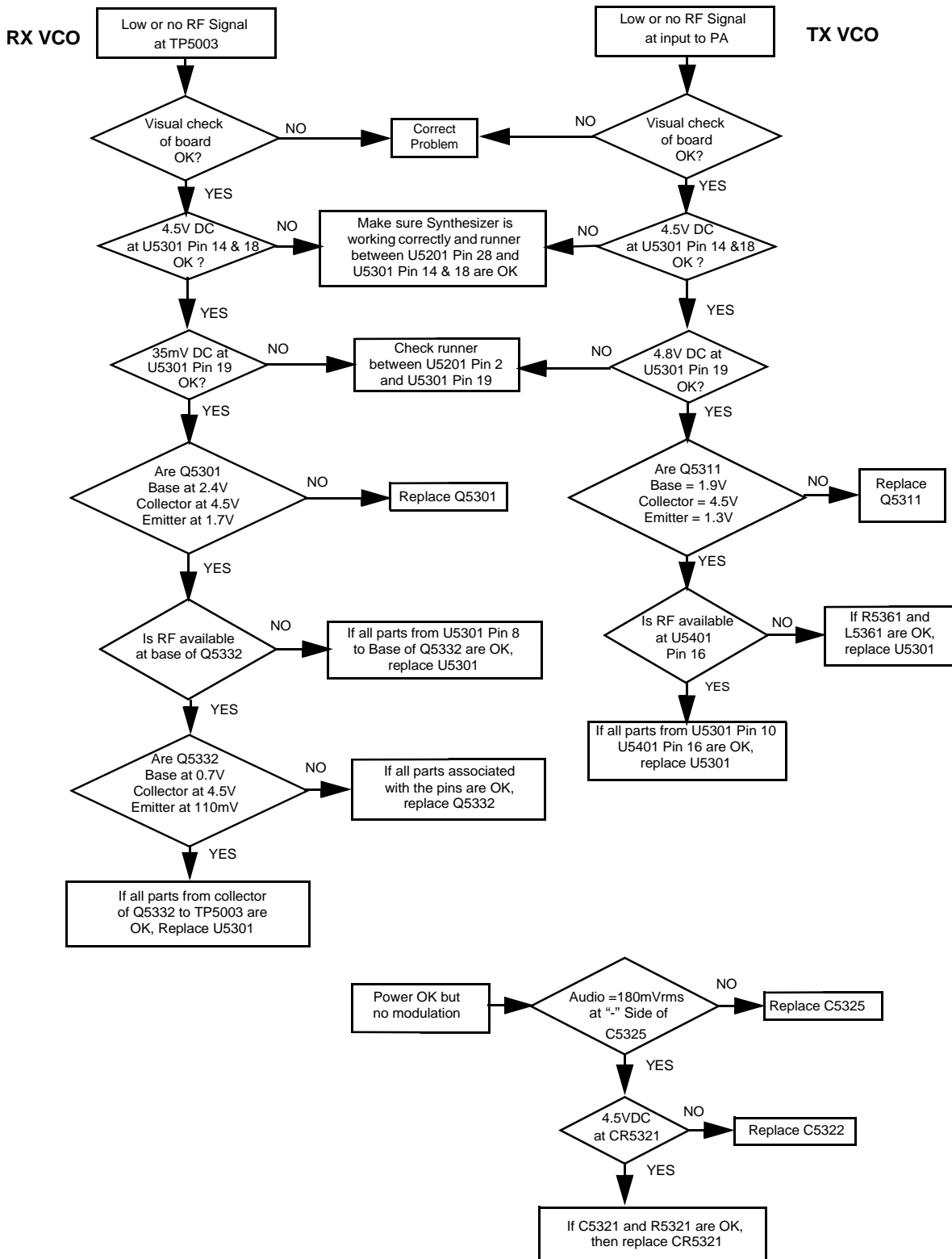
2.0 Troubleshooting Flow Chart for 40W Transmitter



3.0 Troubleshooting Flow Chart for Synthesizer



4.0 Troubleshooting Flow Chart for VCO



THIS PAGE INTENTIONALLY LEFT BLANK

Section 4

UHF PCB/SCHEMATICS/PARTS LISTS

1.0 Allocation of Schematics and Circuit Boards

1.1 Controller Circuits

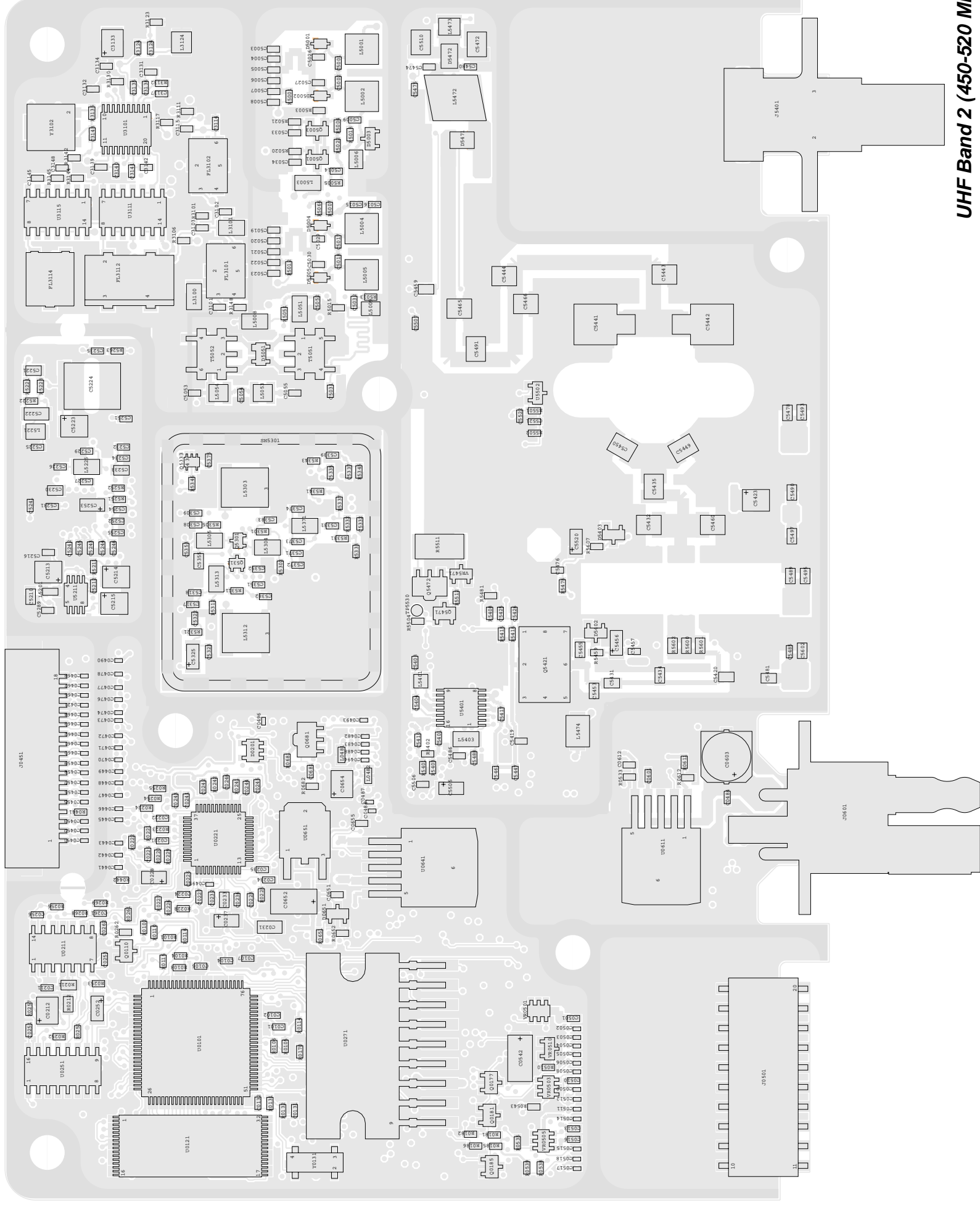
The UHF circuits are contained on the Printed Circuit Board (PCB) which also contains the Controller circuits. This Chapter shows the schematics for the UHF circuits only, refer to the Controller section for details of the related Controller circuits . The PCB component layouts and the Parts Lists in this Chapter show both the Controller and UHF circuit components. The UHF schematics and the related PCB and parts list are shown in the tables below.

Table 4-1 UHF B2 40W Diagrams and Parts Lists

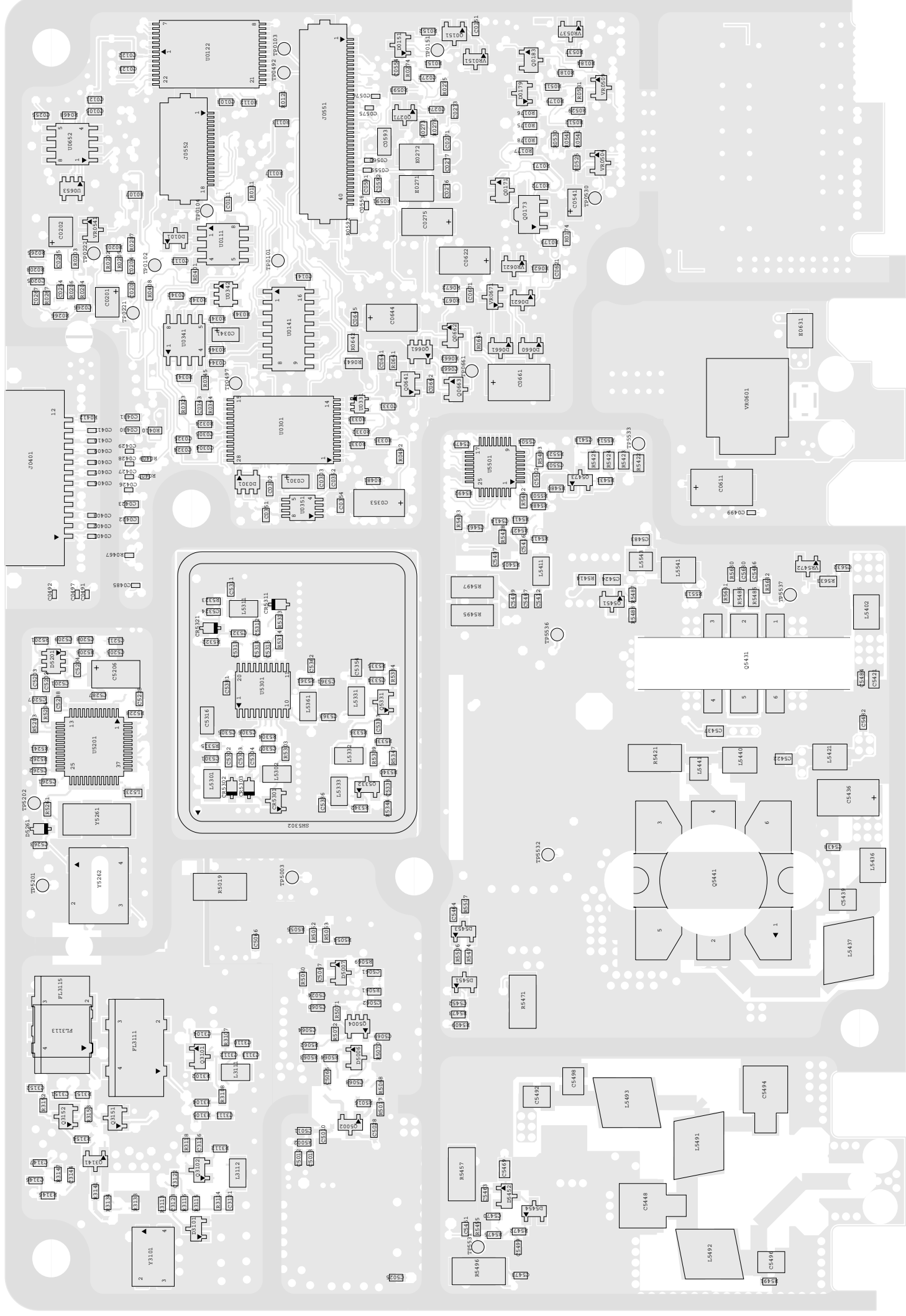
PCB : 8480645Z04 Main Board Top Side 8480645Z04 Main Board Bottom Side	Page 4-3 Page 4-4
SCHEMATICS Power Amplifier 40W FRACN Voltage Controlled Oscillator Receiver Front End IF	Page 4-5 Page 4-6 Page 4-7 Page 4-8 Page 4-9
Parts List 8480645Z04	Page 4-10

THIS PAGE INTENTIONALLY LEFT BLANK

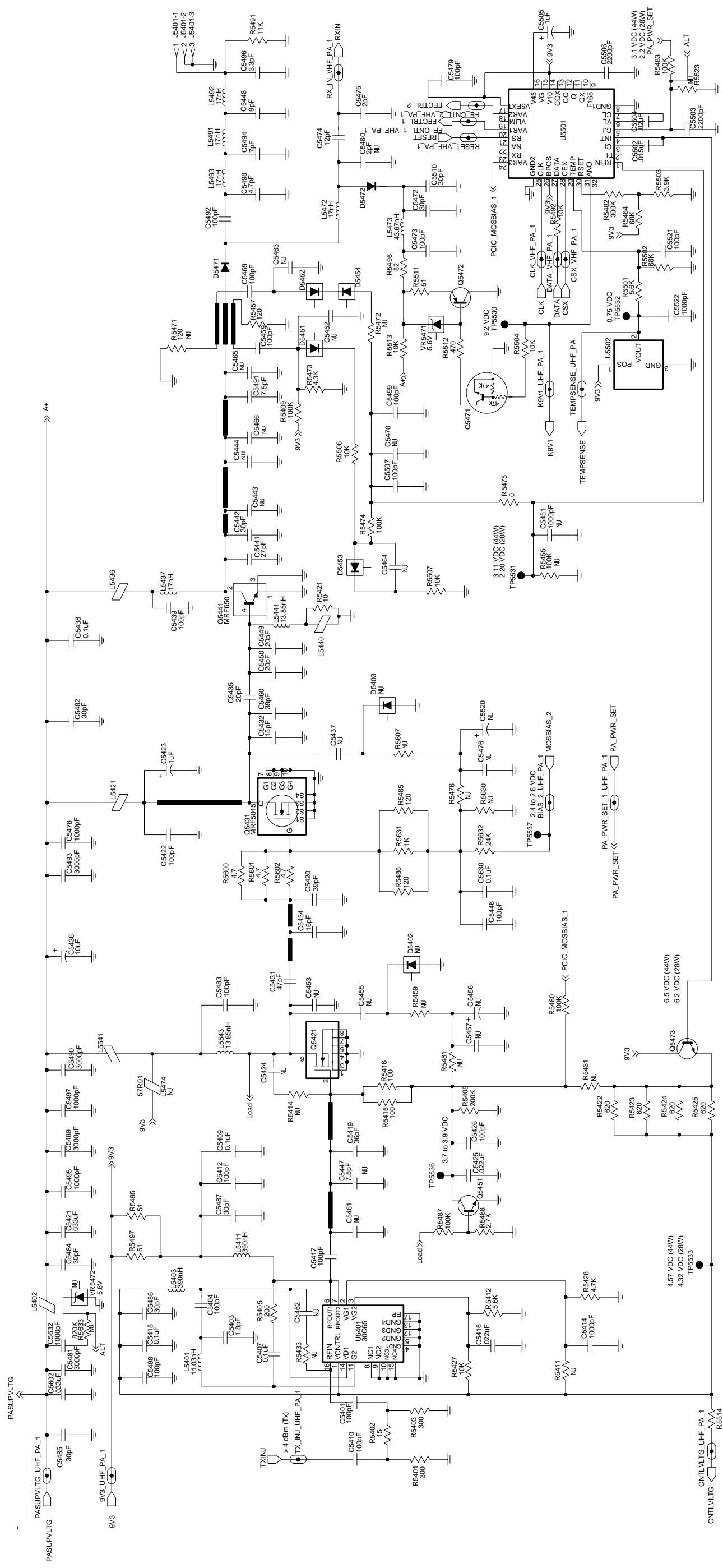
2.0 UHF Band 2 25-40W PCB / Schematics / Parts List



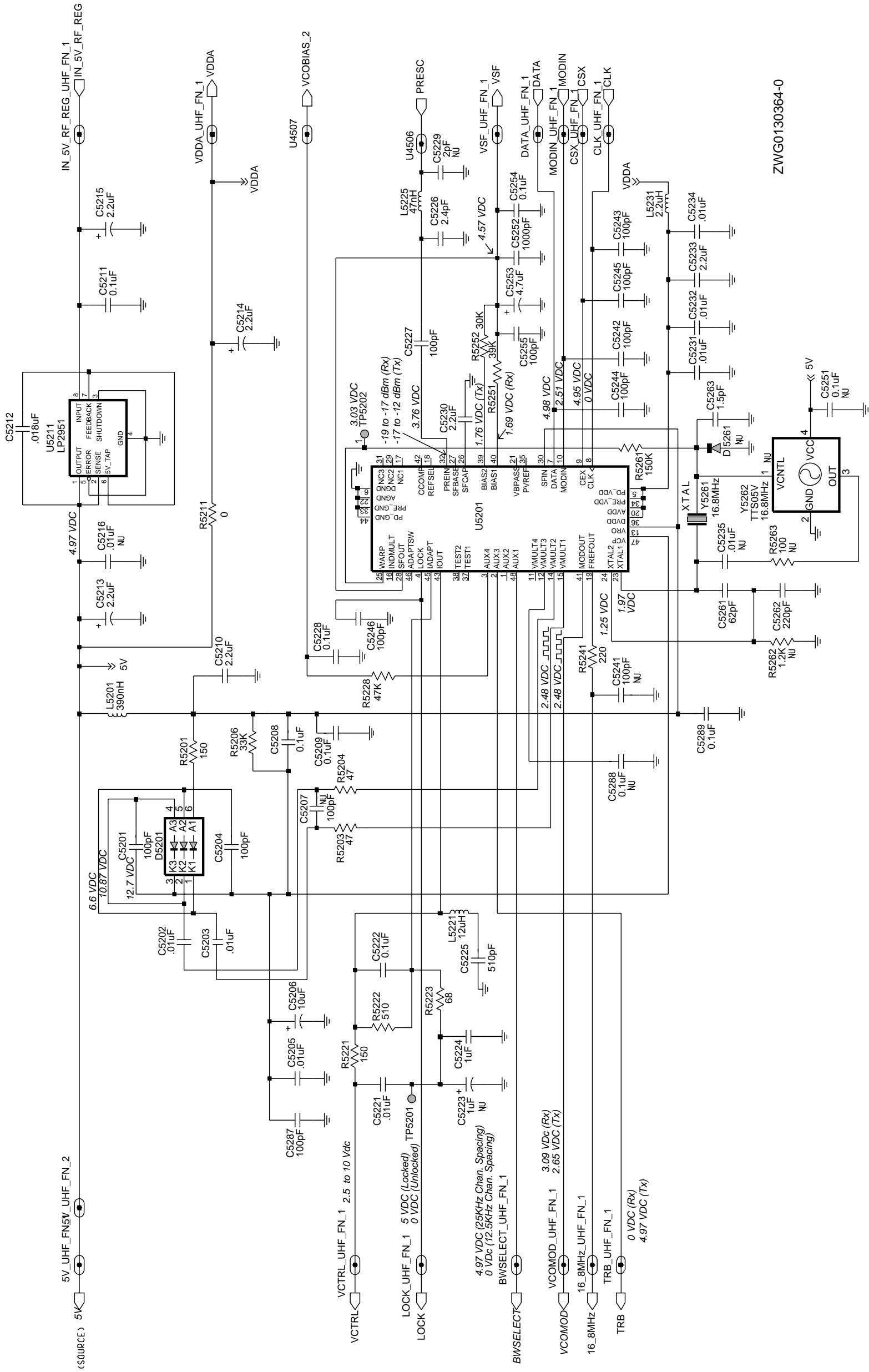
UHF Band 2 (450-520 MHz) 40W 8480645Z04 Top Side



UHF Band 2 (450-520 MHz) 40W 8480645Z04 Bottom Side

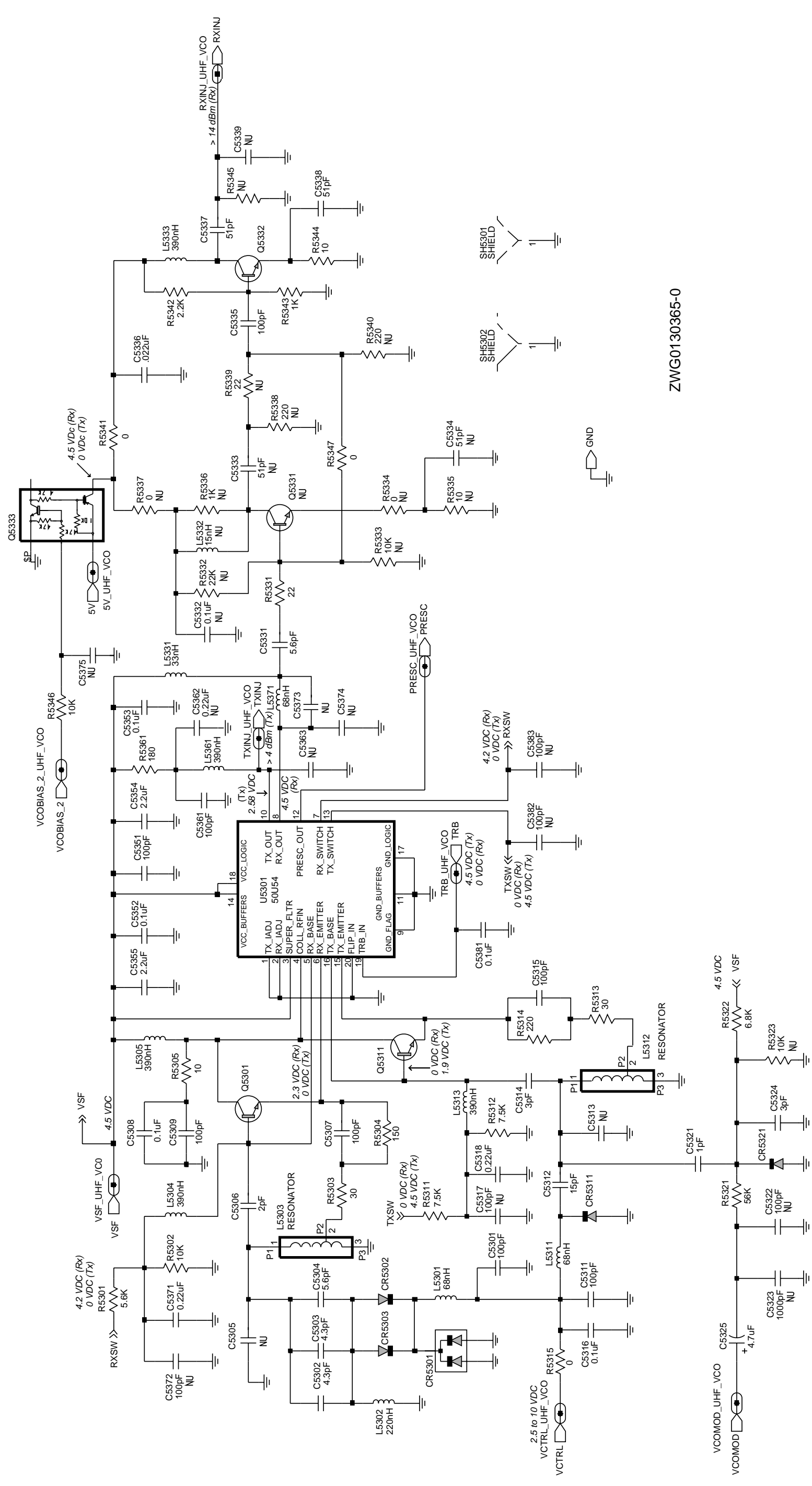


UHF Band 2 (450-520 MHz) Power Amplifier 40W



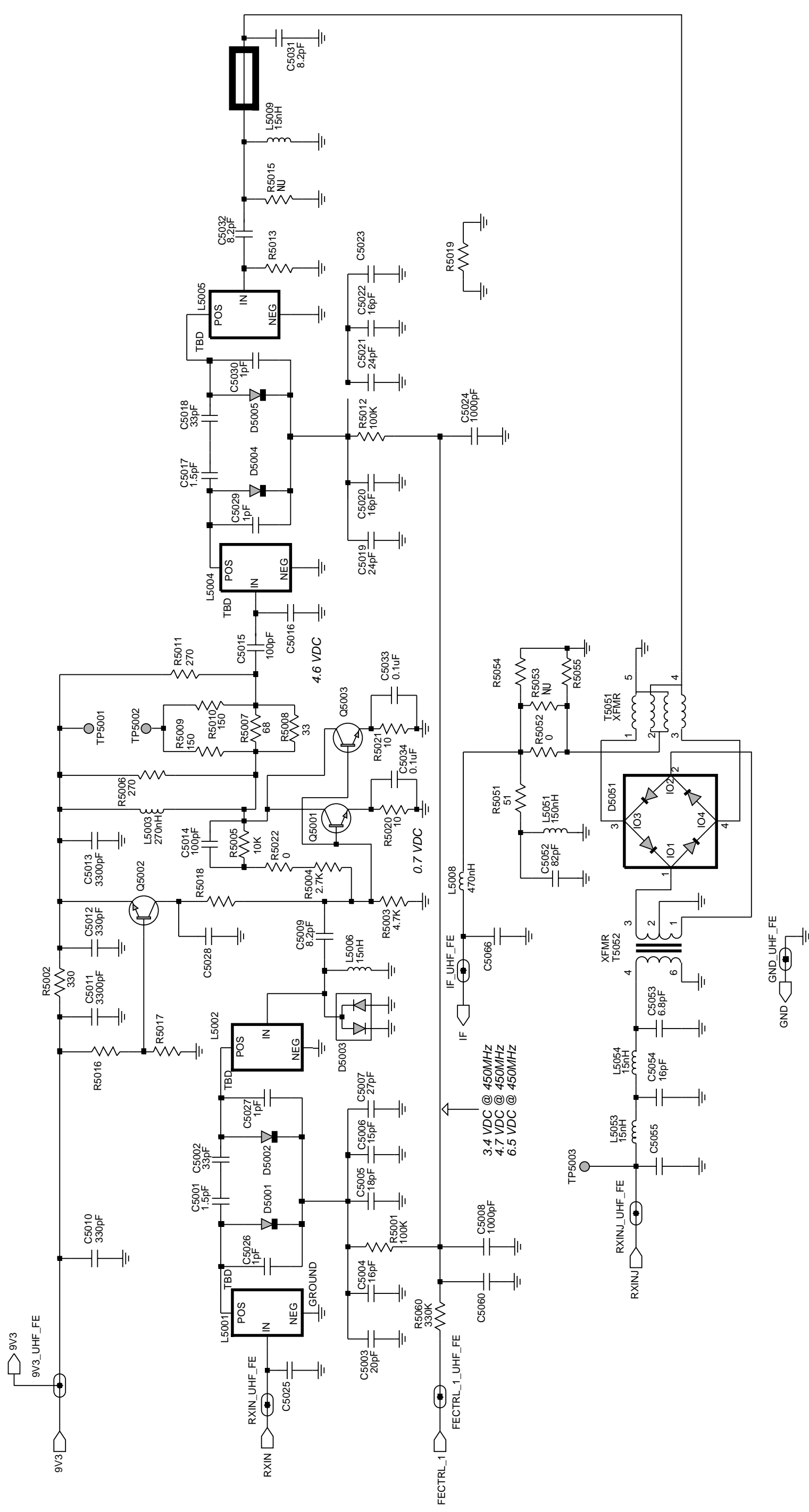
ZWG0130364-0

HF Band 2 (450-520 MHz) FRACN

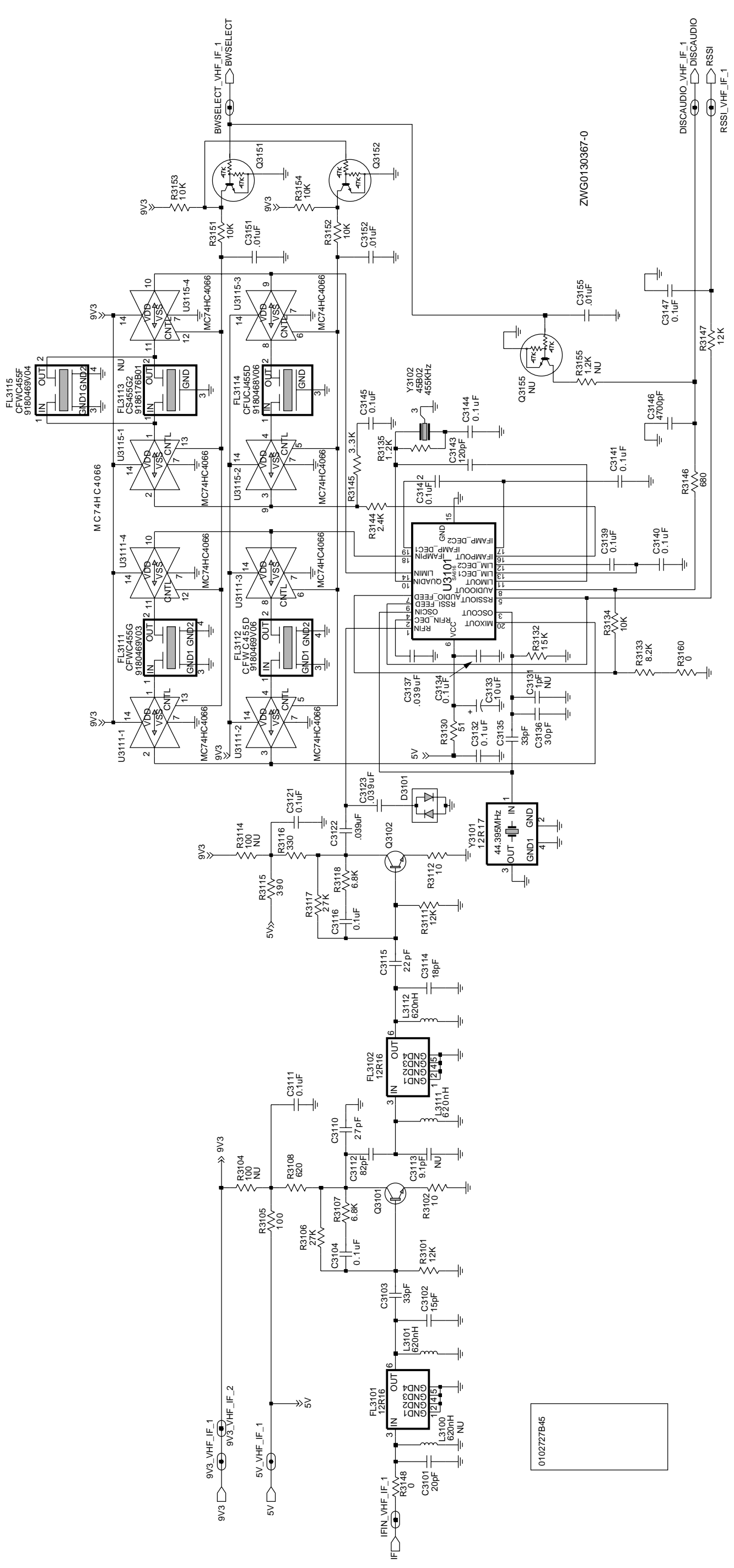


ZWG0130365-0

UHF Band 2 (450-520 MHz) Voltage Controlled Oscillator



UHF Band 2 (450-520 MHz) Receiver Front End



0102727B45

UHF Band 2 (450-520 MHz) IF

UHF Band 2 PCB 8480645Z04 Parts List 25-40W

Circuit Ref	Motorola Part No.	Description
C0101	2113740F51	100pF
C0107	2113741F25	1000pF
C0112	2113743E20	0.1uF
C0121	2113743E20	0.1uF
C0122	2113743E20	0.1uF
C0131	2113740F35	22pF
C0132	2113740F35	22pF
C0141	2113743E20	0.1uF
C0151	2113741F49	10000pF
C0201	2311049A57	10uF
C0202	2311049A57	10uF
C0204	2113743E20	0.1uF
C0212	2311049A57	10uF
C0221	2113743E20	0.1uF
C0222	2113743E20	0.1uF
C0223	2113743E20	0.1uF
C0224	2113740F51	100pF
C0225	2113743E20	0.1uF
C0226	2113743E20	0.1uF
C0228	2311049A56	4.7uF
C0231	2113743B29	1uF
C0232	2113743E20	0.1uF
C0234	2113743E20	0.1uF
C0235	2113743E07	0.022uF
C0236	2113743E10	0.033uF
C0241	2113743E20	0.1uF
C0243	2113740F51	100pF
C0244	2113743E20	0.1uF
C0245	2113743E20	0.1uF
C0246	2113741F49	10000pF
C0251	2113743E20	0.1uF
C0252	2311049A07	1uF
C0254	2113743E20	0.1uF
C0255	2113743E20	0.1uF
C0256	2113740F51	100pF
C0261	2113743E20	0.1uF
C0262	2113740F49	82pF
C0265	2113743E20	0.1uF
C0267	2113741F49	10000pF
C0271	2113741F49	10000pF
C0272	2113743E20	0.1uF
C0273	2113741F37	3300pF
C0275	2311049A99	47uF
C0276	2113741F25	1000pF
C0277	2113741F25	1000pF
C0301	2311049A07	1uF
C0302	2113743E20	0.1uF
C0303	2113740F51	100pF
C0304	2113743E20	0.1uF

Circuit Ref	Motorola Part No.	Description
C0305	2113743E20	0.1uF
C0324	2113743E20	0.1uF
C0331	2113743E20	0.1uF
C0341	2311049A07	1uF
C0342	2113743E20	0.1uF
C0343	2113743E20	0.1uF
C0344	2113743E20	0.1uF
C0351	2113743E20	0.1uF
C0352	2113743E07	0.022uF
C0353	2311049A97	33uF
C0354	2113743E20	0.1uF
C0421	2113743N48	82pF
C0422	2113741F17	470pF
C0423	2113741F17	470pF
C0426	2113743L09	470pF
C0427	2113743L09	470pF
C0428	2113743N48	82pF
C0429	2113743L09	470pF
C0430	2113741F17	470pF
C0431	2113741F17	470pF
C0445	2113743L09	470pF
C0446	2113743L09	470pF
C0447	2113743L09	470pF
C0448	2113743L09	470pF
C0449	2113743L09	470pF
C0470	2113743L09	470pF
C0471	2113743N48	82pF
C0472	2113743N48	82pF
C0473	2113743N48	82pF
C0474	2113743L09	470pF
C0476	2113743L09	470pF
C0477	2113743L09	470pF
C0478	2113743L09	470pF
C0482	2113743L09	470pF
C0483	2113743L09	470pF
C0484	2113741F17	470pF
C0485	2113743L09	470pF
C0486	2113743L09	470pF
C0487	2113743L09	470pF
C0488	2113743L09	470pF
C0490	2113743L09	470pF
C0491	2113743L09	470pF
C0492	2113743L09	470pF
C0493	2113743L09	470pF
C0494	2113743L09	470pF
C0495	2113743L09	470pF
C0496	2113743L09	470pF
C0497	2113743L09	470pF
C0499	2113743L09	470pF
C0501	2113741F49	10000pF
C0502	2113743L09	470pF

Circuit Ref	Motorola Part No.	Description
C0503	2113743L09	470pF
C0504	2113743L09	470pF
C0505	2113743L09	470pF
C0506	2113743L09	470pF
C0508	2113743L09	470pF
C0509	2113743L09	470pF
C0510	2113741F17	470pF
C0511	2113743L09	470pF
C0512	2113743L09	470pF
C0513	2113741F17	470pF
C0514	2113743L09	470pF
C0515	2113743L09	470pF
C0516	2113741F49	10000pF
C0517	2113743N48	82pF
C0518	2113743L09	470pF
C0541	2311049A05	0.47uF
C0542	2311049A99	47uF
C0591	2113743E20	0.1uF
C0592	2113743E20	0.1uF
C0593	2113741B69	0.1uF
C0601	2113741F17	470pF
C0603	2380090M24	10uF
C0611	2311049C06	22uF
C0612	2113743E20	0.1uF
C0622	2311049A99	47uF
C0641	2113741F17	470pF
C0644	2311049A97	33uF
C0645	2113743E20	0.1uF
C0652	2311049A97	33uF
C0654	2311049A57	10uF
C0655	2113743E20	0.1uF
C0661	2311049C05	47uF
C0662	2113741F49	10000pF
C0663	2113743E20	0.1uF
C0671	2113743E20	0.1uF
C0681	2113743E20	0.1uF
C3101	2113740F34	20pF
C3102	2113740F31	15pF
C3103	2113740F39	33pF
C3104	2113743E20	0.1uF
C3110	2113740F37	27pF
C3111	2113743E20	0.1uF
C3112	2113740F49	82pF
C3114	2113740F33	18pF
C3115	2113740F35	22pF
C3116	2113743E20	0.1uF
C3121	2113743E20	0.1uF
C3122	2113743E11	0.039uF
C3123	2113743E11	0.039uF
C3132	2113743E20	0.1uF
C3133	2311049A57	10uF

Circuit Ref	Motorola Part No.	Description
C3134	2113743E20	0.1uF
C3135	2113740L30	33pF
C3136	2113740L29	30pF
C3137	2113743E11	0.039uF
C3139	2113743E20	0.1uF
C3140	2113743E20	0.1uF
C3141	2113743E20	0.1uF
C3142	2113743E20	0.1uF
C3143	2113740F53	120pF
C3144	2113743E20	0.1uF
C3145	2113743E20	0.1uF
C3146	2113741F41	4700pF
C3147	2113743E20	0.1uF
C3151	2113741F49	10000pF
C3152	2113741F49	10000pF
C5001	2113740F07	1.5pF
C5002	2113740F39	33pF
C5003	2113740F36	24pF
C5004	2113740F32	16pF
C5005	2113740F33	18pF
C5006	2113740F31	15pF
C5007	2113740F37	27pF
C5008	2113741F25	1000pF
C5009	2113740F25	8.2pF
C5010	2113741F13	330pF
C5011	2113741F37	3300pF
C5012	2113741F13	330pF
C5013	2113741F37	3300pF
C5014	2113740F51	100pF
C5015	2113740F51	100pF
C5017	2113740F07	1.5pF
C5018	2113740F39	33pF
C5019	2113740F31	15pF
C5020	2113740F25	8.2pF
C5021	2113740F25	8.2pF
C5022	2113740F25	8.2pF
C5024	2113741F25	1000pF
C5026	2113740F03	1pF
C5027	2113740F03	1pF
C5028	2113741F49	10000pF
C5029	2113740F03	1pF
C5030	2113740F03	1pF
C5031	2113740F25	8.2pF
C5032	2113740F22	6.2pF
C5033	2113740F51	100pF
C5034	2113740F51	100pF
C5052	2113740F49	82pF
C5053	2113740F23	6.8pF
C5054	2113740F32	16pF
C5065	2113740F51	100pF
C5067	2113741F37	3300pF

Circuit Ref	Motorola Part No.	Description
C5201	2113740F51	100pF
C5202	2113741F49	10000pF
C5203	2113741F49	10000pF
C5204	2113740F51	100pF
C5205	2113741F49	10000pF
C5206	2311049J25	10uF
C5208	2113743E20	0.1uF
C5209	2113743E20	0.1uF
C5210	2104993J02	2.2uF
C5211	2113743E20	0.1uF
C5212	2113743E05	0.018uF
C5213	2311049A09	2.2uF
C5214	2311049A09	2.2uF
C5215	2311049A09	2.2uF
C5221	2109720D01	0.01uF
C5222	2109720D14	0.1uF
C5224	0882422W23	1uF
C5225	2113741F18	510pF
C5226	2113740L03	2.4pF
C5227	2113740F51	100pF
C5230	2104993J02	2.2uF
C5231	2113741F49	10000pF
C5232	2113741F49	10000pF
C5233	2104993J02	2.2uF
C5234	2113741F49	10000pF
C5235	2113741F49	10000pF
C5242	2113740F51	100pF
C5243	2113740F51	100pF
C5244	2113740F51	100pF
C5245	2113740F51	100pF
C5246	2113740F51	100pF
C5251	2113743E20	0.1uF
C5252	2113741F25	1000pF
C5253	2311049A56	4.7uF
C5254	2113743E20	0.1uF
C5255	2113740F51	100pF
C5263	2113743E20	0.1uF
C5287	2113740F51	100pF
C5289	2113743E20	0.1uF
C5301	2113740F51	100pF
C5302	2113740L09	4.3pF
C5303	2113740L09	4.3pF
C5304	2113740L12	5.6pF
C5306	2113740L01	2pF
C5307	2113740F51	100pF
C5308	2113743E20	0.1uF
C5309	2113740F51	100pF
C5311	2113740F51	100pF
C5312	2113740F31	15pF
C5314	2113740L05	3pF
C5315	2113740F51	100pF

Circuit Ref	Motorola Part No.	Description
C5316	2109720D14	0.1uF
C5318	2113743E20	0.1uF
C5321	2113740F03	1pF
C5324	2113740L05	3pF
C5325	2311049A56	4.7uF
C5331	2113740L12	5.6pF
C5335	2113740F51	100pF
C5336	2113743E07	0.022uF
C5337	2113740F44	51pF
C5338	2113740F44	51pF
C5351	2113740F51	100pF
C5352	2113743E20	0.1uF
C5353	2113743E20	0.1uF
C5354	2104993J02	2.2uF
C5355	2104993J02	2.2uF
C5361	2113740F51	100pF
C5371	2113743E20	0.1uF
C5381	2113743E20	0.1uF
C5401	2113740F51	100pF
C5403	2113740F09	1.8pF
C5404	2113740F51	100pF
C5407	2113743E20	0.1uF
C5409	2113743E20	0.1uF
C5410	2113740F51	100pF
C5412	2113740F51	100pF
C5414	2113741F25	1000pF
C5416	2113743E07	0.022uF
C5417	2113740F51	100pF
C5418	2113743E20	0.1uF
C5419	2113740F40	36pF
C5420	2113740A43	39pF
C5421	2113741A57	0.033uF
C5422	2113740A55	100pF
C5423	2311049A08	1uF
C5425	2113743E07	0.022uF
C5426	2113740F51	100pF
C5431	2113740A46	47pF
C5432	2111078B18	15pF
C5434	2113740A34	16pF
C5435	2111078B21	20pF
C5436	2311049A45	10uF
C5438	2113743E20	0.1uF
C5439	2111078B42	100pF
C5441	2180464E42	27pF
C5442	2180464E40	30pF
C5446	2113740F51	100pF
C5448	2180464E62	9pF
C5449	2111078B21	20pF
C5450	2111078B21	20pF
C5459	2113740A55	100pF
C5460	2111078B32	39pF

Circuit Ref	Motorola Part No.	Description
C5469	2113740A55	100pF
C5472	2111078B27	30pF
C5473	2113740F51	100pF
C5474	2113740F29	12pF
C5475	2113740F10	2pF
C5478	2113741A21	1000pF
C5479	2113740F51	100pF
C5481	2113741A32	3000pF
C5482	2113740F38	30pF
C5483	2113740A55	100pF
C5484	2113740F38	30pF
C5485	2113740F38	30pF
C5486	2113740F38	30pF
C5487	2113740F38	30pF
C5488	2113740F51	100pF
C5489	2113741A32	3000pF
C5490	2113741A32	3000pF
C5491	2111078B10	7.5pF
C5492	2111078B42	100pF
C5493	2113741A32	3000pF
C5494	2180464E60	7pF
C5495	2113741A21	1000pF
C5496	2111078B01	3.3pF
C5497	2113741A21	1000pF
C5498	2111078B05	4.7pF
C5499	2113740F51	100pF
C5502	2113743E03	0.015uF
C5503	2113741F33	2200pF
C5504	2113743E06	0.02uF
C5505	2311049A07	1uF
C5506	2113741F33	2200pF
C5507	2113740F51	100pF
C5510	2111078B27	30pF
C5521	2113740F51	100pF
C5522	2113741F25	1000pF
C5602	2113741A57	0.033uF
C5630	2113743E20	0.1uF
C5632	2113741F25	1000pF
CR5301	4805649Q13	DIODE
CR5302	4862824C01	DIODE VARACTOR
CR5303	4862824C01	DIODE VARACTOR
CR5311	4862824C01	DIODE VARACTOR
CR5321	4802245J22	DIODE VARACTOR
D0101	4813825A05	DIODE
D0151	4813833C02	DIODE, DUAL 70V
D0179	4813833C02	DIODE, DUAL 70V
D0301	4802245J47	DIODE, SCHOTTKY
D0621	4813833C02	DIODE, DUAL 70V
D0651	4813833C02	DIODE, DUAL 70V
D0660	4813833C02	DIODE, DUAL 70V
D0661	4813833C02	DIODE, DUAL 70V

Circuit Ref	Motorola Part No.	Description
D3101	4880154K03	DIODE DUAL SCHOTTKY
D5001	4862824C01	DIODE VARACTOR
D5002	4862824C01	DIODE VARACTOR
D5003	4880154K03	DIODE DUAL SCHOTTKY
D5004	4862824C01	DIODE VARACTOR
D5005	4862824C01	DIODE VARACTOR
D5007	4813833C02	DIODE, DUAL 70V
D5051	4886143B01	DIODE, MIXER
D5201	4802233J09	DIODE
D5451	4813825A05	DIODE
D5452	4813825A05	DIODE
D5453	4813825A05	DIODE
D5454	4813825A05	DIODE
D5471	4802482J02	DIODE
D5472	4802482J02	DIODE
E0271	2484657R01	FERRITE BEAD
E0272	2484657R01	FERRITE BEAD
E0631	2484657R01	FERRITE BEAD
FL3101	9180112R16	2 POLE 44.85 MHZ CRYSTAL FILTER
FL3102	9180112R16	2 POLE 44.85 MHZ CRYSTAL FILTER
FL3111	9180469V03	CERAMIC FILTER, 455KHz
FL3112	9180469V06	CERAMIC FILTER, 455KHz
FL3114	9180468V06	CERAMIC FILTER, 455KHz
FL3115	9180469V04	CERAMIC FILTER, 455KHz
J0401	0902636Y02	CONNECTOR
J0451	0902636Y01	CONNECTOR
J0501	0986105B01	CONNECTOR
J0551	0905505Y04	CONNECTOR
J0552	0905505Y03	CONNECTOR
J0601	0986165B01	DC POWER CONNECTOR
J5401	0986166B02	RF CONNECTOR (MINI UHF)
L3101	2462587T25	620nH
L3111	2462587T25	620nH
L3112	2462587T25	620nH
L5003	2462587T20	270nH
L5006	2462587V24	15nH
L5008	2462587T23	470nH
L5009	2462587V24	15nH
L5051	2462587T17	150nH
L5053	2462587N43	15nH
L5054	2462587N43	15nH
L5201	2462587Q42	390nH
L5221	2462587P25	12000nH
L5225	2462587T42	47nH
L5231	2462587Q20	2,200nH
L5301	2462587T13	68nH
L5302	2462587T19	220nH
L5303	2460593C03	RESONATOR
L5304	2462587T22	390nH

Circuit Ref	Motorola Part No.	Description
L5305	2462587T22	390nH
L5311	2462587T13	68nH
L5312	2460593C03	RESONATOR
L5313	2462587T22	390nH
L5331	2462587T09	33nH
L5333	2462587T22	390nH
L5361	2462587T22	390nH
L5371	2462587T13	68nH
L5401	2460591B04	11.03nH
L5402	2484657R01	FERRITE BEAD
L5403	2462587T22	390nH
L5411	2462587T22	390nH
L5421	2484657R01	FERRITE BEAD
L5436	2484657R01	FERRITE BEAD
L5437	2460592A01	17nH
L5440	2484657R01	FERRITE BEAD
L5441	2460591C23	13.85nH
L5472	2460592A01	17nH
L5473	2460591N36	43.67nH
L5491	2460592A01	17nH
L5492	2460592A01	17nH
L5493	2460592A01	17nH
L5541	2484657R01	FERRITE BEAD
L5543	2460591C23	13.85nH
Q0110	4880048M01	NPN
Q0151	4880048M01	NPN
Q0171	4880048M01	NPN
Q0173	4880052M01	NPN DARLINGTON
Q0177	4880048M01	NPN
Q0181	4880048M01	NPN
Q0183	4880048M01	NPN
Q0185	4880048M01	NPN
Q0271	4880214G02	NPN
Q0641	4880048M01	NPN
Q0661	4805921T02	DUAL NPN/PNP
Q0662	4880214G02	NPN
Q0663	4880048M01	NPN
Q0681	4880052M01	NPN DARLINGTON
Q3101	4813827A07	NPN
Q3102	4813827A07	NPN
Q3141	4880214G02	NPN
Q3151	4880048M01	NPN
Q3152	4880048M01	NPN
Q5001	4813827A07	NPN
Q5002	4813824A17	PNP
Q5003	4813827A07	NPN
Q5301	4805218N63	DIODE DUAL SCHOTTKY
Q5311	4805218N63	DIODE DUAL SCHOTTKY
Q5332	4813827A07	NPN
Q5333	4809939C05	DUAL NPN/PNP
Q5421	5105385Y91	MRF1508

Circuit Ref	Motorola Part No.	Description
R0228	0662057B47	0
R0229	0662057A01	10
R0241	0662057A89	47K
R0242	0662057B47	0
R0251	0662057A89	47K
R0252	0662057A91	56K
R0253	0662057A97	97K
R0254	0662057A73	10K
R0255	0662057A73	10K
R0256	0662057A97	97K
R0257	0662057A57	2.2K
R0261	0662057A73	10K
R0262	0662057B08	270K
R0265	0662057A82	24K
R0267	0662057A89	47K
R0268	0662057A73	10K
R0269	0662057A41	470
R0273	0662057A82	24K
R0275	0662057A73	10K
R0276	0662057A77	15K
R0323	0662057A79	18K
R0324	0662057A79	18K
R0331	0662057A73	10K
R0332	0662057A73	10K
R0333	0662057A73	10K
R0335	0662057B02	150K
R0341	0662057A73	10K
R0342	0662057A55	1.8K
R0343	0662057B47	0
R0344	0662057A91	56K
R0345	0662057A66	5.1K
R0346	0662057A89	47K
R0347	0662057A89	47K
R0401	0662057A33	220
R0407	0662057M26	10
R0408	0662057A25	100
R0409	0662057M26	10
R0410	6580542Z01	FUSE 3A
R0412	0662057B47	0
R0441	0662057B47	0
R0442	0662057A49	1K
R0467	0662057M26	10
R0468	0662057A97	97K
R0481	0662057B47	0
R0482	0662057B47	0
R0510	0662057A65	4.7K
R0511	0662057A97	97K
R0512	0662057A77	15K
R0525	0662057A97	97K
R0529	0662057A89	47K
R0530	0662057B47	0

Circuit Ref	Motorola Part No.	Description
R0531	0662057A43	560
R0533	0662057B47	0
R0535	0662057A49	1K
R0537	0662057A33	220
R0538	0662057A33	220
R0539	0662057A65	4.7K
R0541	0662057A83	27K
R0543	0662057A97	97K
R0591	0662057A82	24K
R0592	0662057A01	10
R0593	0662057A97	97K
R0611	0662057A91	56K
R0612	0662057A65	4.7K
R0621	0662057A82	24K
R0641	0662057A73	10K
R0642	0660076E70	7.5K
R0643	0660076E51	1.2K
R0651	0662057A01	10
R0652	0662057A01	10
R0661	0662057A49	1K
R0662	0662057B02	150K
R0671	0662057A84	30K
R0672	0662057A73	10K
R0681	0662057A79	18K
R0682	0662057A93	68K
R3101	0662057A75	12K
R3102	0662057A01	10
R3105	0662057A25	100
R3106	0662057A83	27K
R3107	0662057A69	6.8K
R3108	0662057A44	620
R3111	0662057A75	12K
R3112	0662057A01	10
R3113	0662057A37	330
R3115	0662057A39	390
R3116	0662057A37	330
R3117	0662057A83	27K
R3118	0662057A69	6.8K
R3123	0662057B47	0
R3130	0662057A18	51
R3132	0662057A77	15K
R3133	0662057A71	8.2K
R3134	0662057A73	10K
R3135	0662057A51	1.2K
R3141	0662057A39	390
R3142	0662057A55	1.8K
R3144	0662057A58	2.4K
R3145	0662057A61	3.3K
R3146	0662057A45	680
R3147	0662057A75	12K
R3148	0662057B47	0

Circuit Ref	Motorola Part No.	Description
R3151	0662057A73	10K
R3152	0662057A73	10K
R3153	0662057A73	10K
R3154	0662057A73	10K
R5001	0662057A97	97K
R5002	0662057A37	330
R5003	0662057A65	4.7K
R5004	0662057A59	2.7K
R5005	0662057A73	10K
R5007	0662057A21	68
R5012	0662057A97	97K
R5016	0662057A61	3.3K
R5018	0662057A61	3.3K
R5020	0662057A01	10
R5021	0662057A01	10
R5022	0662057B47	0
R5051	0662057A18	51
R5052	0662057B47	0
R5060	0662057B10	330K
R5064	0662057B47	0
R5068	0662057A53	1.5K
R5069	0662057A49	1K
R5201	0662057A29	150
R5203	0662057A17	47
R5204	0662057A17	47
R5211	0662057B47	0
R5221	0662057A29	150
R5222	0662057A42	510
R5223	0662057A21	68
R5228	0662057A89	47K
R5241	0662057A33	220
R5251	0662057A87	39K
R5252	0662057A84	30K
R5261	0662057A89	47K
R5263	0662057A25	100
R5301	0662057A67	5.6K
R5302	0662057A73	10K
R5303	0662057A12	30
R5304	0662057A29	150
R5305	0662057A01	10
R5311	0662057A70	7.5K
R5312	0662057A70	7.5K
R5313	0662057A12	30
R5314	0662057A33	220
R5315	0662057B47	0
R5321	0662057A91	56K
R5322	0662057A69	6.8K
R5331	0662057A09	22
R5341	0662057B47	0
R5342	0662057A57	2.2K
R5343	0662057A49	1K

Circuit Ref	Motorola Part No.	Description
R5344	0662057A01	10
R5346	0662057A73	10K
R5347	0662057B47	0
R5361	0662057A31	180
R5401	0662057A36	300
R5402	0662057A05	15
R5403	0662057A36	300
R5405	0662057A32	200
R5408	0662057B05	200K
R5409	0662057A97	97K
R5412	0662057A67	5.6K
R5415	0662057A25	100
R5416	0662057A25	100
R5421	0680194M01	10
R5422	0611079A69	620
R5423	0611079A69	620
R5424	0611079A69	620
R5425	0611079A69	620
R5427	0662057A73	10K
R5428	0662057A65	4.7K
R5457	0683962T51	120
R5473	0662057A64	4.3K
R5474	0662057A97	97K
R5475	0662057B47	0
R5480	0662057A97	97K
R5482	0662057B09	300K
R5483	0662057A97	97K
R5484	0662057A93	68K
R5485	0662057C53	120
R5486	0662057C53	120
R5487	0662057A97	97K
R5488	0662057A59	2.7K
R5491	0662057A74	11K
R5492	0662057A73	10K
R5495	0680195M18	51
R5496	0680194M23	82
R5497	0680195M18	51
R5501	0662057A67	5.6K
R5502	0662057A93	68K
R5503	0662057A63	3.9K
R5504	0662057A73	10K
R5506	0662057A73	10K
R5507	0662057A73	10K
R5511	0680194M18	51
R5512	0662057A41	470
R5513	0662057A73	10K
R5514	0662057A61	3.3K
R5600	0662057C19	4.7
R5601	0662057C19	4.7
R5602	0662057C19	4.7
R5631	0662057A49	1K

Circuit Ref	Motorola Part No.	Description
R5632	0662057A82	24K
SH5301	2602641Y02	SHIELD
SH5302	2602641Y02	SHIELD
T5051	2505515V03	TRANSFORMER 4:1
T5052	2508397X02	TRANSFORMER 1:1
U0101	5102226J56	MICROPROCESSOR
U0111	5102463J64	EEPROM
U0121	5186137B01	IC, FLASH ROM
U0122	5185748L01	SRAM
U0141	5113805A30	REMUX
U0211	5183222M49	IC, QUAD OPAMP
U0221	5185130C53	IC, ASFIC
U0251	5184704M60	IC-CMOS ANALOG
U0271	5109699X01	AUDIO PA
U0301	5109152M01	EEPROM ANALOG
U0331	5186204B01	BUFFER / DRIVER
U0341	5113818A01	LINEAR IC OP AMP
U0342	5105750U28	IC CMOS SWITCH
U0351	5102463J40	REGULATOR, 3.3V
U0611	5183308X01	ADJUSTABLE VOLTAGE REGULATOR
U0641	5183308X01	ADJUSTABLE VOLTAGE REGULATOR
U0651	5113816A07	REGULATOR, 5V
U0652	5113815A02	UNDERVOLT SENSOR
U3101	5186144B01	IC, IF
U3111	5102463J52	QUAD ANALOG SWITCH
U3115	5102463J52	QUAD ANALOG SWITCH
U5201	5185963A27	IC FRACTN
U5211	5185963A33	IC, VOLTAGE REGULATOR
U5301	5105750U54	IC, VCO
U5401	5185130C65	IC LDMOS DRIVER
U5501	5185765B26	IC POWER CONTROL
U5502	5185963A15	IC TEMPERATURE SENSOR
VR0151	4813830A15	DIODE, 5.6V
VR0501	4805656W09	DIODE, ZENER
VR0503	4805656W09	DIODE, ZENER
VR0504	4813830A40	DIODE, ZENER
VR0505	4805656W09	DIODE, ZENER
VR0509	4813830A40	DIODE, ZENER
VR0510	4813830A40	DIODE, ZENER
VR0537	4813830A15	DIODE, 5.6V
VR0541	4813830A27	DIODE, 14V
VR0601	4813832C77	DIODE
VR0621	4813830A15	DIODE, 5.6V
VR5471	4813830A15	DIODE, 5.6V
Y0131	4880113R19	CRYSTAL 38.4KHZ
Y3101	4880606B09	2ND OSC XTAL 44.395 MHZ
Y3102	9186145B02	455KHz DISCRIMINATOR
Y5262	4886182B01	TCXO 16.8MHZ

* Motorola Depot Servicing only
Reference designators with an asterisk indicate components which are not field replaceable because they need to be calibrated with specialized factory equipment after installation. Radios in which these parts have been replaced in the field will be off frequency at temperature extremes.

THIS PAGE INTENTIONALLY LEFT BLANK



GM338

Mobile Radio

UHF B1 HIGH POWER LDMOS

(403-470MHz)

Service Information

Computer Software Copyrights

The Motorola products described in this manual may include copyrighted Motorola computer programs stored in semiconductor memories or other media. Laws in the United States and other countries preserve for Motorola certain exclusive rights for copyrighted computer programs, including the exclusive right to copy or reproduce in any form, the copyrighted computer program. Accordingly, any copyrighted Motorola computer programs contained in the Motorola products described in this manual may not be copied or reproduced in any manner without the express written permission of Motorola. Furthermore, the purchase of Motorola products shall not be deemed to grant, either directly or by implication, estoppel or otherwise, any license under the copyrights, patents or patent applications of Motorola, except for the normal non-exclusive royalty-free license to use that arises by operation of law in the sale of a product.

Table of Contents

Section 1 Model Chart and Technical Specifications

1.0 GM338 Model Chart.....	1-1
2.0 Technical Specifications	1-1

Section 2 Theory of Operation

1.0 Introduction	2-1
2.0 UHF (403-470 MHz) Receiver	2-1
2.1 Receiver Front-End	2-1
2.2 Front-End Band-Pass Filters & Pre-Amplifier	2-2
2.3 First Mixer and High Intermediate Frequency (IF).....	2-2
2.4 Low Intermediate Frequency (IF) and Receiver Back End.....	2-3
3.0 UHF (403-470 MHz) Transmitter Power Amplifier (PA) 40 W.....	2-3
3.1 First Power Controlled Stage.....	2-4
3.2 Power Controlled Driver Stage	2-4
3.3 Final Stage	2-4
3.4 Directional Coupler	2-5
3.5 Antenna Switch.....	2-5
3.6 Harmonic Filter	2-5
3.7 Power Control.....	2-5
4.0 UHF (403-470 MHz) Frequency Synthesis	2-6
4.1 Reference Oscillator	2-6
4.2 Fractional-N Synthesizer	2-7
4.3 Voltage Controlled Oscillator (VCO).....	2-8
4.4 Synthesizer Operation	2-9

Section 3 Troubleshooting Charts

1.0 Troubleshooting Flow Chart for Receiver	3-1
2.0 Troubleshooting Flow Chart for 40W Transmitter	3-3
3.0 Troubleshooting Flow Chart for Synthesizer.....	3-5
4.0 Troubleshooting Flow Chart for VCO.....	3-6

Section 4 UHF PCB/Schematics/Parts Lists

1.0	Allocation of Schematics and Circuit Boards	4-1
1.1	Controller Circuits.....	4-1
2.0	UHF 25-40W PCB / Schematics / Parts List.....	4-3
	UHF (403-470 MHz) 25-40W 8486127Z01 Top Side	4-3
	UHF (403-470 MHz) 25-40W 8486127Z01 Bottom Side.....	4-4
	UHF (403-470 MHz) Power Amplifier 25-40W	4-5
	UHF (403-470 MHz) FRACN.....	4-6
	UHF (403-470 MHz) Voltage Controlled Oscillator.....	4-7
	UHF (403-470 MHz) Receiver Front End	4-8
	UHF (403-470 MHz) IF	4-9
	UHF PCB 8486127Z01 Parts List 25-40W	4-10

Section 1

MODEL CHART AND TECHNICAL SPECIFICATIONS

1.0 GM338 Model Chart

GM Series, UHF Band 1, 403-470 MHz		
Mode		Description
AZM25RKF9AA5		GM338 403-470 MHz 25-40W Conv Pref (LDMOS)
	Item	Description
X	GCN6114_	GM338 Control Head Direct Mount
X	IMUE6012_	Tanapa WM 403-470 MHz 25-40W
X	RAE4151_	BNC 403-430 MHz, $\frac{1}{4}$ Wave Roof Mount
X	RAE4152_	BNC 450-470 MHz, $\frac{1}{4}$ Wave Roof Mount
X	RAE4153_	BNC 450-470 MHz, 3.5dB Gain Roof Mount
X	RAE4154_	BNC 450-470 MHz, 5dB Gain Roof Mount
X	RAE4158_	BNC 406-420 MHz, 3.5dB Gain Roof Mount
X	6804112J06	GM338 User Guide

x = Indicates one of each is required.

2.0 Technical Specifications

Data is specified for +25°C unless otherwise stated.

General Specifications	
Channel Capacity GM338	128
Power Supply	13.2Vdc (10.8 - 15.6Vdc)
Dimensions: H x W x D (mm) Depth excluding knobs	GM338 59mm x 179mm x 198mm (25 - 45W) (add 9mm for Volume Knob)
Weight GM338	1400 g
Sealing:	Withstands rain testing per MIL STD 810 C/D/E and IP54
Shock and Vibration:	Protection provided via impact resistant housing exceeding MIL STD 810-C/D/E
Dust, Salt & Fog:	Protection provided via environment resistant housing exceeding MIL STD 810 C/D/E

Transmitter	UHF
*Frequencies - Full Bandsplit	UHF 403-470 MHz
Channel Spacing	12.5/20/25 kHz
Frequency Stability (-30°C to +60°C, +25° Ref.)	±2.0 ppm
Power	25-40W
Modulation Limiting	±2.5 @ 12.5 kHz ±4.0 @ 20 kHz ±5.0 @ 25 kHz
FM Hum & Noise	-40 dB @ 12.5kHz -45 dB @ 20/25kHz
Conducted/Radiated Emission (ETS)	-36 dBm <1 GHz -30 dBm >1 GHz
Adjacent Channel Power	-60 dB @ 12.5 kHz -70 dB @ 25 kHz
Audio Response (300 - 3000 Hz)	+1 to -3 dB
Audio Distortion @ 1000Hz, 60% Rated Maximum Deviation	<3% typical

Receiver	UHF
*Frequencies - Full Bandsplit	UHF 403-470 MHz
Channel Spacing	12.5/20/25 kHz
Sensitivity (12 dB SINAD)	0.30 µV (0.22 µV typical)
Intermodulation (ETS)	>65 dB
Adjacent Channel Selectivity (ETS)	65 dB @ 12.5 kHz 70 dB @ 20 kHz 75 dB @ 25 kHz
Spurious Rejection (ETS)	70 dB @ 12.5 kHz 75 dB @ 20/25 kHz
Rated Audio	3W Internal 7.5W External 13W External
Audio Distortion @ Rated Audio	<3% typical
Hum & Noise	-40 dB @ 12.5 kHz -45 dB @ 20/25 kHz
Audio Response (300 - 3000Hz @ 20/25kHz) (300 - 2550Hz @ 12.5kHz)	+1 to -3 dB
Conducted Spurious Emission (ETS)	-57 dBm <1 GHz -47 dBm >1 GHz

*Availability subject to the laws and regulations of individual countries.

Section 2

THEORY OF OPERATION

1.0 Introduction

This Chapter provides a detailed theory of operation for the UHF circuits in the radio. For details of the theory of operation and troubleshooting for the the associated Controller circuits refer to the Controller Section of this manual.

2.0 UHF (403-470 MHz) Receiver

2.1 Receiver Front-End

The receiver is able to cover the UHF range from 403 to 470 MHz. It consists of four major blocks: front-end bandpass filters and pre-amplifier, first mixer, high-IF, low-IF and receiver back-end . Two varactor-tuned bandpass filters perform antenna signal pre-selection. A cross over quad diode mixer converts the signal to the first IF of 44.85 MHz. Low-side first injection is used.

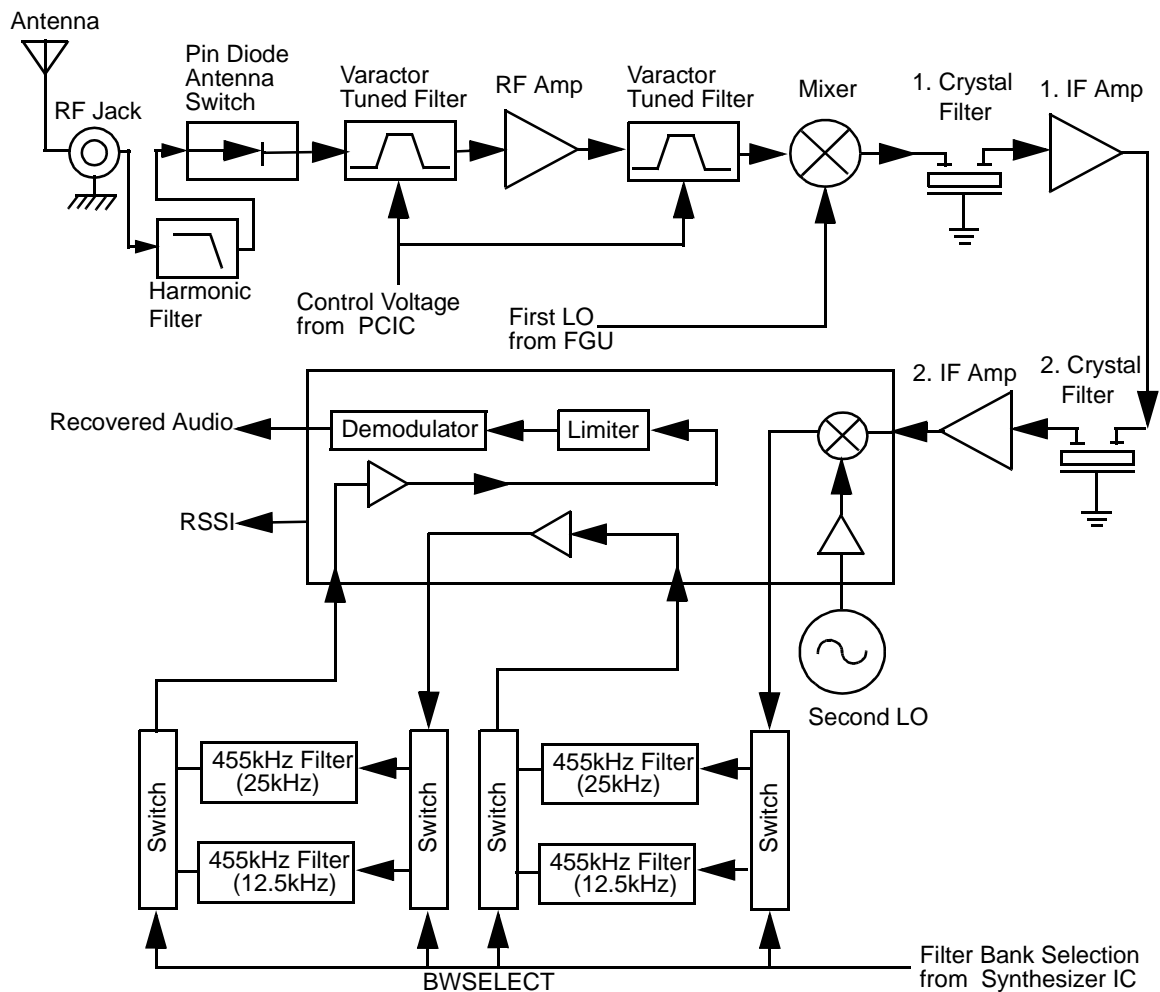


Figure 2-1 UHF Receiver Block Diagram

There are two 2-pole 44.85 MHz crystal filters in the high-IF section and 2 pairs of 455 kHz ceramic filters in the low-IF section to provide the required adjacent channel selectivity. The correct pair of ceramic filters for 12.5 or 25KHz channel spacing is selected via control line BWSELECT. The second IF at 455 kHz is mixed, amplified and demodulated in the IF IC. The processing of the demodulated audio signal is performed by an audio processing IC located in the controller section.

2.2 Front-End Band-Pass Filters & Pre-Amplifier

The received signal from the radio's antenna connector is first routed through the harmonic filter and antenna switch, which are part of the RF power amplifier circuitry, before being applied to the receiver pre-selector filter (C4001, C4002, D4001 and associated components). The 2-pole pre-selector filter tuned by the varactor diodes D4001 and D4002 pre-selects the incoming signal (RXIN) from the antenna switch to reduce spurious effects to following stages. The tuning voltage (FECTRL_1) ranging from 2 volts to 8 volts is controlled by pin 20 of PCIC (U4501) in the Transmitter section. A dual hot carrier diode (D4003) limits any inband signal to 0 dBm to prevent damage to the pre-amplifier.

The RF pre-amplifier is an SMD device (Q4003) with collector base feedback to stabilize gain, impedance, and intermodulation. The collector current of approximately 11-16 mA is drawn from the voltage 9V3 via L4003 and R4002. A switchable 3dB pad (R4066,R4007,R4063, R4064 and R4070), controlled via line FECTRL_2 and Q4004 stabilizes the output impedance and intermodulation performance.

A second 2-pole varactor tuned bandpass filter provides additional filtering of the amplified signal. The varactor diodes D4004 and D4005 are controlled by the same signal FECTRL_1, which controls the pre-selector filter. A following 1 dB pad (R4013 - R4015) stabilizes the output impedance and intermodulation performance.

2.3 First Mixer and High Intermediate Frequency (IF)

The signal coming from the front-end is converted to the first IF (44.85 MHz) using a cross over quad diode mixer (D4051). Its ports are matched for incoming RF signal conversion to the 44.85 MHz IF using low side injection via matching transformers T4051 and T4052. The injection signal (RXINJ) coming from the RX VCO buffer (Q4332) is filtered by the lowpass filter consisting of (L4053, L4054, C4053 - C4055) followed by a matching transformer T4052 and has a level of approximately 15dBm.

The mixer IF output signal (IF) from transformer T4501 pin 2 is fed to the first two pole crystal filter FL3101. The filter output in turn is matched to the following IF amplifier.

The IF amplifier Q3101 is actively biased by a collector base feedback (R3101, R3106) to a current drain of approximately 5 mA drawn from the voltage 5V. Its output impedance is matched to the second two pole crystal filter FL3102. The signal is further amplified by a preamplifier (Q3102) before going into pin 1 of IFIC (U3101).

A dual hot carrier diode (D3101) limits the filter output voltage swing to reduce overdrive effects at RF input levels above -27 dBm.

2.4 Low Intermediate Frequency (IF) and Receiver Back End

The 44.85 MHz high IF signal from the second IF amplifier feeds the IF IC (U3101) at pin 1. Within the IF IC the 44.85 MHz high IF signal mixes with the 44.395 MHz second local oscillator (2nd LO) to produce the low IF signal at 455 kHz. The 2nd LO frequency is determined by crystal Y3101. The low IF signal is amplified and filtered by an external pair of 455 kHz ceramic filters FL3112, FL3114 for 20/25 kHz channel spacing or FL3111, FL3113/F3115 for 12.5 kHz channel spacing. These pairs are selectable via BWSELECT. The filtered output from the ceramic filters is applied to the limiter input pin of the IF IC (pin 14).

The IF IC contains a quadrature detector using a ceramic phase-shift element (Y3102) to provide audio detection. Internal amplification provides an audio output level of 120 mV rms (at 60% deviation) from U3103 pin 8 (DISCAUDIO) which is fed to the ASFIC_CMP (U0221) pin 2 (part of the Controller circuitry).

A Received Signal Strength Indicator (RSSI) signal is available at U3101 pin 5, having a dynamic range of 70 dB. The RSSI signal is interpreted by the microprocessor (U0101 pin 63) and in addition is available at accessory connector J0501-15.

3.0 UHF (403-470 MHz) Transmitter Power Amplifier (PA) 40 W

The radio's 40W PA is a three stage amplifier used to amplify the output from the VCOBIC to the radio transmit level. All three stages utilize LDMOS technology. The gain of the first stage (U4401) is adjustable, controlled by pin 4 of PCIC (U4501). It is followed by an LDMOS stage (Q4421) and LDMOS final stage (Q4441).

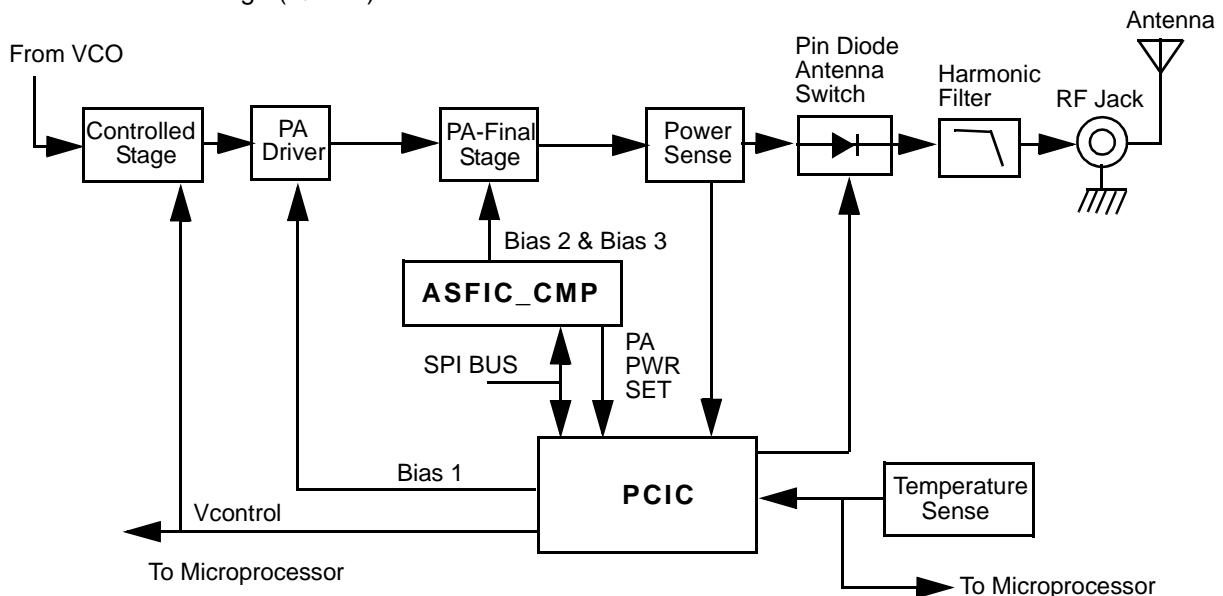


Figure 2-2 UHF Transmitter Block Diagram

Devices U4401, Q4421 and Q4441 are surface mounted. A pressure pad between board and the radio's cover provides good thermal contact between the devices and the chassis.

3.1 First Power Controlled Stage

The first stage (U4401) is a 20dB gain integrated circuit containing two LDMOS FET amplifier stages. It amplifies the RF signal from the VCO (TXINJ). The output power of stage U4401 is controlled by a DC voltage applied to pin 1 from Q4473. The control voltage simultaneously varies the bias of two FET stages within U4401. This biasing point determines the overall gain of U4401 and therefore its output drive level to Q4421, which in turn controls the output power of the PA.

Switch S4440 is a pressure pad with a conductive strip which connects two conductive areas on the board when the radio's cover is properly screwed to the chassis. When the cover is removed, S4440 opens and cuts the supply voltage to Q4473 thus disabling control voltage to U4401. This prevents transmitter key up while the devices do not have proper thermal contact to the chassis.

3.2 Power Controlled Driver Stage

The next stage is an LDMOS device (Q4421) providing a gain of 12dB. This device requires a positive gate bias and a quiescent current flow for proper operation. The bias is set during transmit mode by U4501-24 and fed to the gate of Q4421 via the resistive network R4480, R4408, R4415 and R4416.

3.3 Final Stage

The final stage is an LDMOS MRF 1570 device Q4441. It provides a gain of 11dB. It integrates two MRF1535 die inside. These two die are being run in parallel. The output of each of the device (die) inside are combined to constitute the total output power. This device also requires a positive gate bias and a quiescent current flow for proper operation. The voltage of the line MOSBIAS_2 and MOSBIAS_3 are set in transmit mode by the ASFIC and fed to the gate of Q4441 via two resistive network R4631, R4634, R4485, R4486 and R4632, R4635, R4481, R4489. These bias voltages are tuned in the factory. If the transistor is replaced, the bias voltage must be tuned using the Global Tuner. Care must be taken not to damage the device by exceeding the maximum allowed bias voltage. The device's drain current is drawn directly from the radio's DC supply voltage input, PASUPVLTG, via L4421, L4437 and L4436, L4438.

A matching network consisting of C4440-45, C4466-67, C4476-77, C4487, C4491, C4489, C4490, C4455-56, C4449-50 and striplines transforms the impedance to 50 ohms and feeds the directional coupler.

3.4 Directional Coupler

The directional coupler is a microstrip printed circuit, which couples a small amount of the forward power delivered by Q4441. The coupled signal is rectified by D4451. The DC voltage is proportional to the RF output power and feeds the RFIN port of the PCIC (U4501 pin 1). The PCIC controls the gain of stage U4401 as necessary to hold this voltage constant, thus ensuring the forward power out of the radio to be held to a constant value.

3.5 Antenna Switch

The antenna switch consists of two PIN diodes, D4471 and D4472. In the receive mode, both diodes are off. Signals applied at the antenna jack J4401 are routed, via the harmonic filter, through network L4472, C4474 and C4475, to the receiver input. In the transmit mode, K9V1 turns on Q4471 which enables current sink Q4472, set to 96 mA by R4512 and VR4471. This completes a DC path from PASUPVLTG, through L4437, D4471, L4472, D4472, L4473, R4496 and the current sink, to ground. Both diodes are forward biased into conduction. The transmitter RF from the directional coupler is routed via D4471 to the harmonic filter and antenna jack. D4472 also conducts, shunting RF power and preventing it from reaching the receiver port (RXIN). L4472 is selected to appear as a broadband $\lambda/4$ wave transmission line, making the short circuit presented by D4472 appear as an open circuit at the junction of D4472 and the receiver path.

3.6 Harmonic Filter

Components L4491-L4493 and L4472, C4448, C4494, C4496 and C4498 form a Butterworth low-pass filter to attenuate harmonic energy of the transmitter to specifications level. R4491 is used to drain electrostatic charge that might otherwise build up on the antenna. The harmonic filter also prevents high level RF signals above the receiver passband from reaching the receiver circuits, improving spurious response rejection.

3.7 Power Control

The transmitter uses the Power Control IC (PCIC, U4501) to control the power output of the radio. A portion of the forward RF power from the transmitter is sampled by the directional coupler and rectified, to provide a DC voltage to the RFIN port of the PCIC (pin 1) which is proportional to the sampled RF power.

The ASFIC (U0221) has internal digital to analog converters (DACs) which provide a reference voltage of the control loop to the PCIC via R4483. The reference voltage level is programmable through the SPI line of the PCIC. This reference voltage is proportional to the desired power setting of the transmitter, and is factory programmed at several points across the frequency range of the transmitter to offset frequency response variations of the transmitter's power detector circuit.

The PCIC provides a DC output voltage at pin 4 (INT) which sets the drain current of the first (U4401). This adjusts the transmitter power output to the intended value. Variations in forward transmitter power cause the DC voltage at pin 1 to change, and the PCIC adjusts the control voltage above or below its nominal value to raise or lower output power.

Capacitors C4502-4, in conjunction with resistors and integrators within the PCIC, control the transmitter power-rise (key-up) and power-decay (de-key) characteristic to minimize splatter into adjacent channels.

U4502 is a temperature-sensing device, which monitors the circuit board temperature in the vicinity of the transmitter driver and final devices, and provides a DC voltage to the PCIC (TEMP, pin 30) proportional to temperature. If the DC voltage produced exceeds the set threshold in the PCIC, the transmitter output power will be reduced so as to reduce the transmitter temperature.

4.0 UHF (403-470 MHz) Frequency Synthesis

The synthesizer subsystem consists of the reference oscillator (Y4261 or Y4262), the Low Voltage Fractional-N synthesizer (LVFRAC-N, U4201), and the Voltage Controlled Oscillator VCO.

4.1 Reference Oscillator

The reference oscillator (Y4262) contains a temperature compensated crystal oscillator with a frequency of 16.8 MHz. An Analogue to Digital (A/D) converter internal to U4201 (LVFRAC-N) and controlled by the microprocessor via serial interface (SRL) sets the voltage at the warp output of U4201 pin 25 to set the frequency of the oscillator. The output of the oscillator (pin 3 of Y4262) is applied to pin 23 (XTAL1) of U4201 via a RC series combination.

In applications where less frequency stability is required the oscillator inside U4201 is used along with an external crystal Y4261, varactor diode D4261, C4261, C4262 and R4262. In this case, Y4262, R4263, C4235 and C4251 are not used. When Y4262 is used, Y4261, D4261, C4261, C4262 and R4262 are not used, and C4263 is increased to 0.1 uF.

4.2 Fractional-N Synthesizer

The LVFRAC-N synthesizer IC (U4201) consists of a pre-scaler, a programmable loop divider, control divider logic, a phase detector, a charge pump, an A/D converter for low frequency digital modulation, a balance attenuator to balance the high frequency analogue modulation and low frequency digital modulation, a 13V positive voltage multiplier, a serial interface for control, and finally a super filter for the regulated 5 volts.

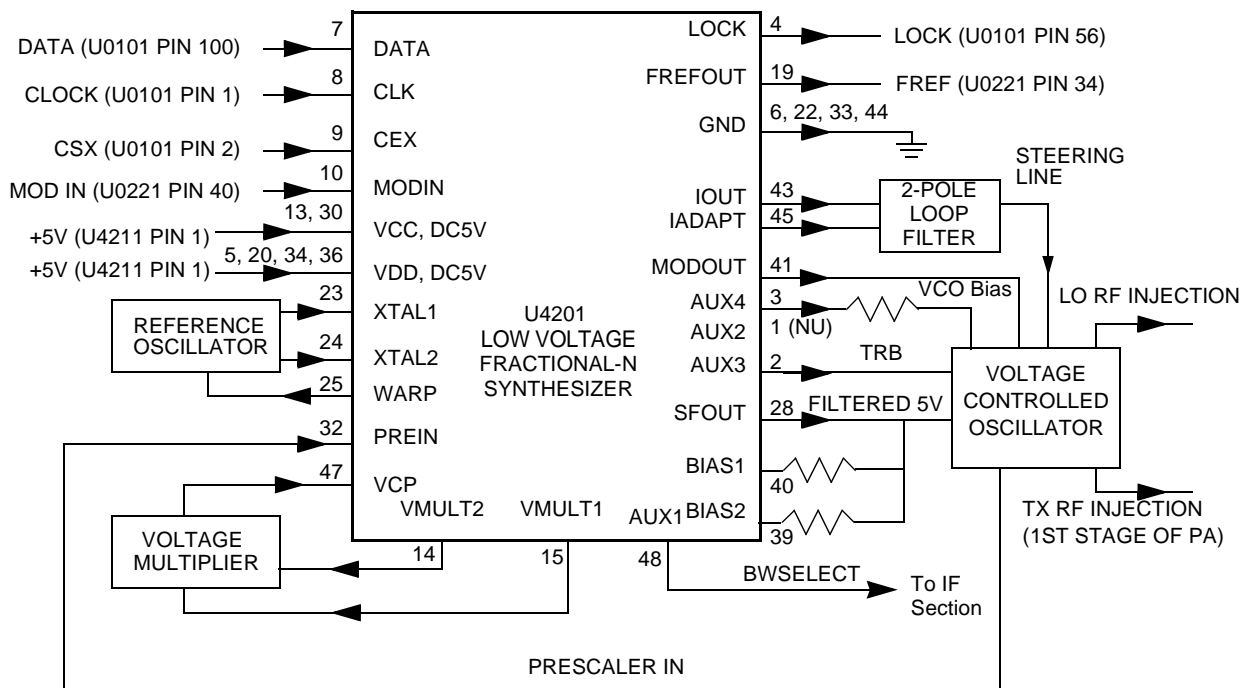


Figure 2-3 UHF Synthesizer Block Diagram

A voltage of 5V applied to the super filter input (U4201 pin 30) supplies an output voltage of 4.5 VDC(VSF) at pin 28. It supplies the VCO, VCO modulation bias circuit (via R4322) and the synthesizer charge pump resistor network (R4251, R4252). The synthesizer supply voltage is provided by the 5V regulator U4211.

In order to generate a high voltage to supply the phase detector (charge pump) output stage at pin 47 VCP (U4201-47), a voltage of 13 VDC is being generated by the positive voltage multiplier circuitry (D4201, C4202, C4203). This voltage multiplier is basically a diode capacitor network driven by two (1.05MHz) 180 degrees out of phase signals (U4201-14 and -15).

Output LOCK (U4201-4) provides information about the lock status of the synthesizer loop. A high level at this output indicates a stable loop. IC U4201 provides the 16.8 MHz reference frequency at pin 19.

The serial interface (SRL) is connected to the microprocessor via the data line DATA (U4201-7), clock line CLK (U4201-8), and chip enable line CSX (U4201-9).

4.3 Voltage Controlled Oscillator (VCO)

The Voltage Controlled Oscillator (VCO) consists of the VCO/Buffer IC (VCOBIC, U4301), the TX and RX tank circuits, the external RX buffer stages, and the modulation circuitry.

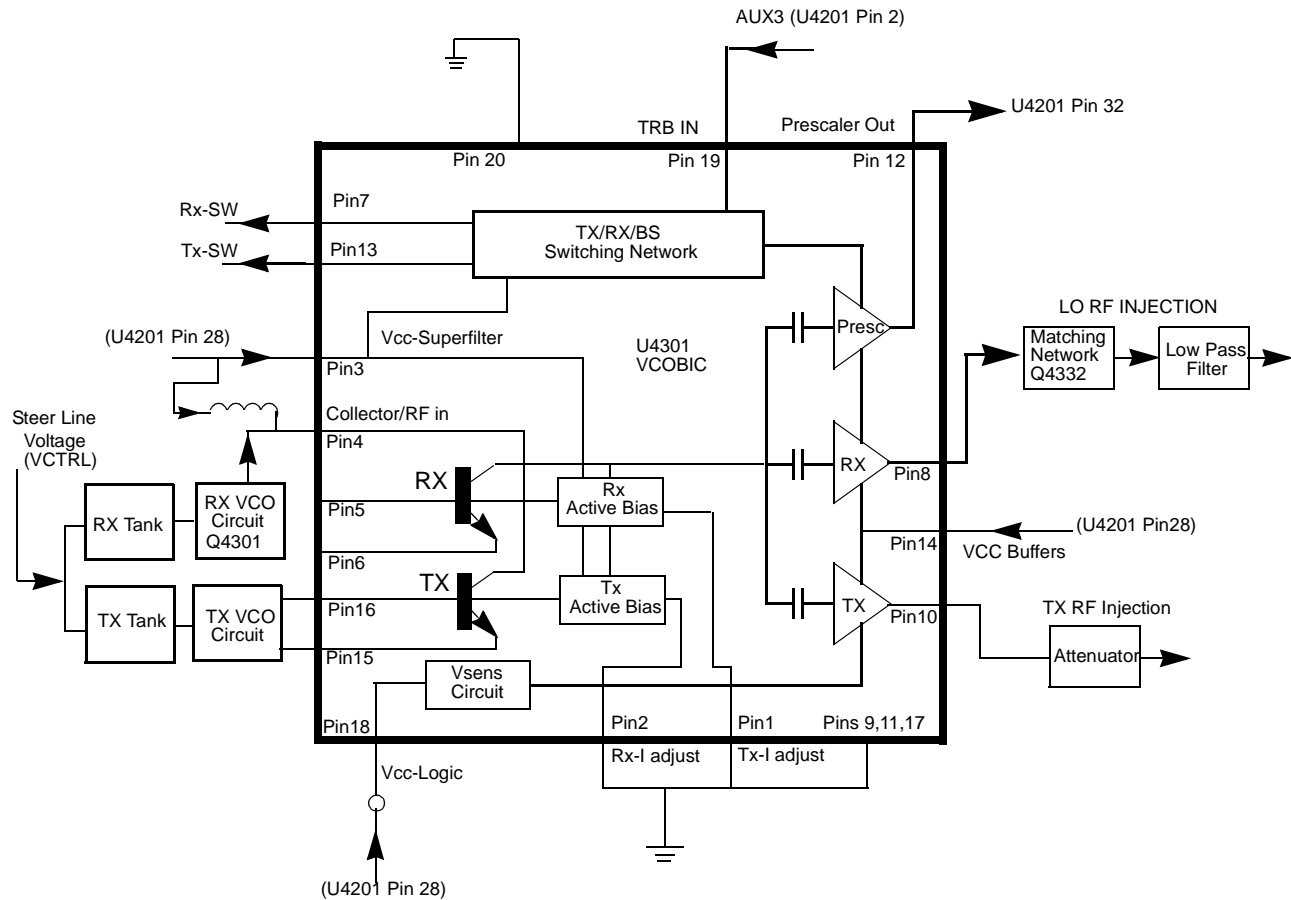


Figure 2-4 UHF VCO Block Diagram

The VCOBIC together with Fractional-N synthesizer (U4201) generates the required frequencies in both transmit and receive modes. The TRB line (U4301 pin 19) determines which tank circuits and internal buffers are to be enabled. A high level on TRB enables TX tank and TX output (pin 10), and a low enables RX tank and RX output (pin 8). A sample of the signal from the enabled output is routed from U4301 pin 12 (PRESC_OUT), via a low pass filter, to pin 32 of U4201 (PREIN).

A steering line voltage (VCTRL) between 3.0V and 10.0V at varactor diode CR4311 will tune the full TX frequency range (TXINJ) from 403 MHz to 470 MHz, and at varactor diodes CR4301, CR4302 and CR4303 will tune the full RX frequency range (RXINJ) from 358 MHz to 425 MHz. The tank circuits use the Hartley configuration for wider bandwidth. For the RX tank circuit, an external transistor Q4301 is used in conjunction with the internal transistor for better side-band noise.

The external RX buffers (Q4332) are enabled by a high at U4201 pin 3 (AUX4) via transistor switch Q4333. In TX mode the modulation signal (VCOMOD) from the LVFRAC-N synthesizer IC (U4201 pin41) is applied modulation circuitry CR4321, R4321, R4322 and C4324, which modulates the TX VCO frequency via coupling capacitor C4321. Varactor CR4321 is biased for linearity from VSF.

4.4 Synthesizer Operation

The complete synthesizer subsystem comprises mainly of low voltage FRAC-N (LVFRACN) IC, Reference Oscillator (crystal oscillator with temperature compensation), charge pump circuitry, loop filter circuitry and DC supply. The output signal PRESC_OUT of the VCOBIC (U4301 pin 12) is fed to pin 32 of U4201 (PREIN) via a low pass filter (C4229, L4225) which attenuates harmonics and provides the correct level to close the synthesizer loop.

The pre-scaler in the synthesizer (U4201) is basically a dual modulus pre-scaler with selectable divider ratios. This divider ratio of the pre-scaler is controlled by the loop divider, which in turn receives its inputs via the SRL. The output of the pre-scaler is applied to the loop divider. The output of the loop divider is connected to the phase detector, which compares the loop divider's output signal with the reference signal. The reference signal is generated by dividing down the signal of the reference oscillator (Y4261 or Y4262).

The output signal of the phase detector is a pulsed DC signal which is routed to the charge pump. The charge pump outputs a current at pin 43 of U4201 (IOUT). The loop filter (which consists of R4221-R4223, C4221-C4225, L4221) transforms this current into a voltage that is applied to the varactor diodes CR4311 for transmit, CR4301, CR4302 & CR4303 for receive and alters the output frequency of the VCO. The current can be set to a value fixed in the LVFRAC-N IC or to a value determined by the currents flowing into BIAS 1 (U4201-40) or BIAS 2 (U4201-39). The currents are set by the value of R4251 or R4252 respectively. The selection of the three different bias sources is done by software programming.

To reduce synthesizer lock time when new frequency data has been loaded into the synthesizer the magnitude of the loop current is increased by enabling the IADAPT (U4201-45) for a certain software programmable time (Adapt Mode). The adapt mode timer is started by a low to high transient of the CSX line. When the synthesizer is within the lock range the current is determined only by the resistors connected to BIAS 1, BIAS 2, or the internal current source. A settled synthesizer loop is indicated by a high level of signal LOCK (U4201-4).

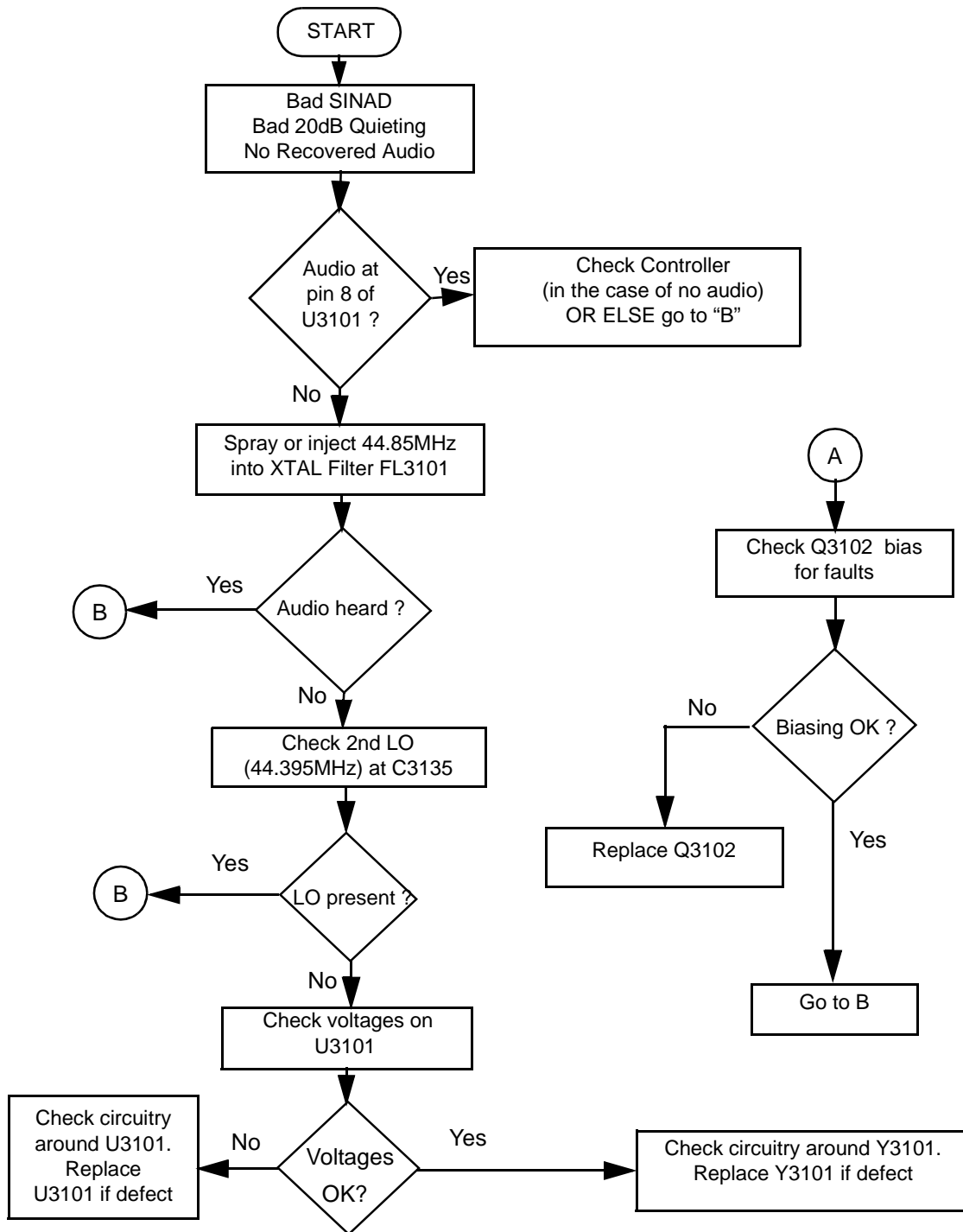
The LOCK (U4201-4) signal is routed to one of the μP 's ADCs input U101-56. From the voltage the μP determines whether LOCK is active. In order to modulate the PLL the two spot modulation method is utilized. Via pin 10 (MODIN) on U4201 the audio signal is applied to both the A/D converter (low freq path) as well as the balance attenuator (high freq path). The A/D converter converts the low frequency analogue modulating signal into a digital code that is applied to the loop divider, thereby causing the carrier to deviate. The balance attenuator is used to adjust the VCO's deviation sensitivity to high frequency modulating signals. The output of the balance attenuator is present at the MODOUT port (U4201-41) and connected to the VCO modulation diode CR4321 via R4321, C4325.

THIS PAGE INTENTIONALLY LEFT BLANK

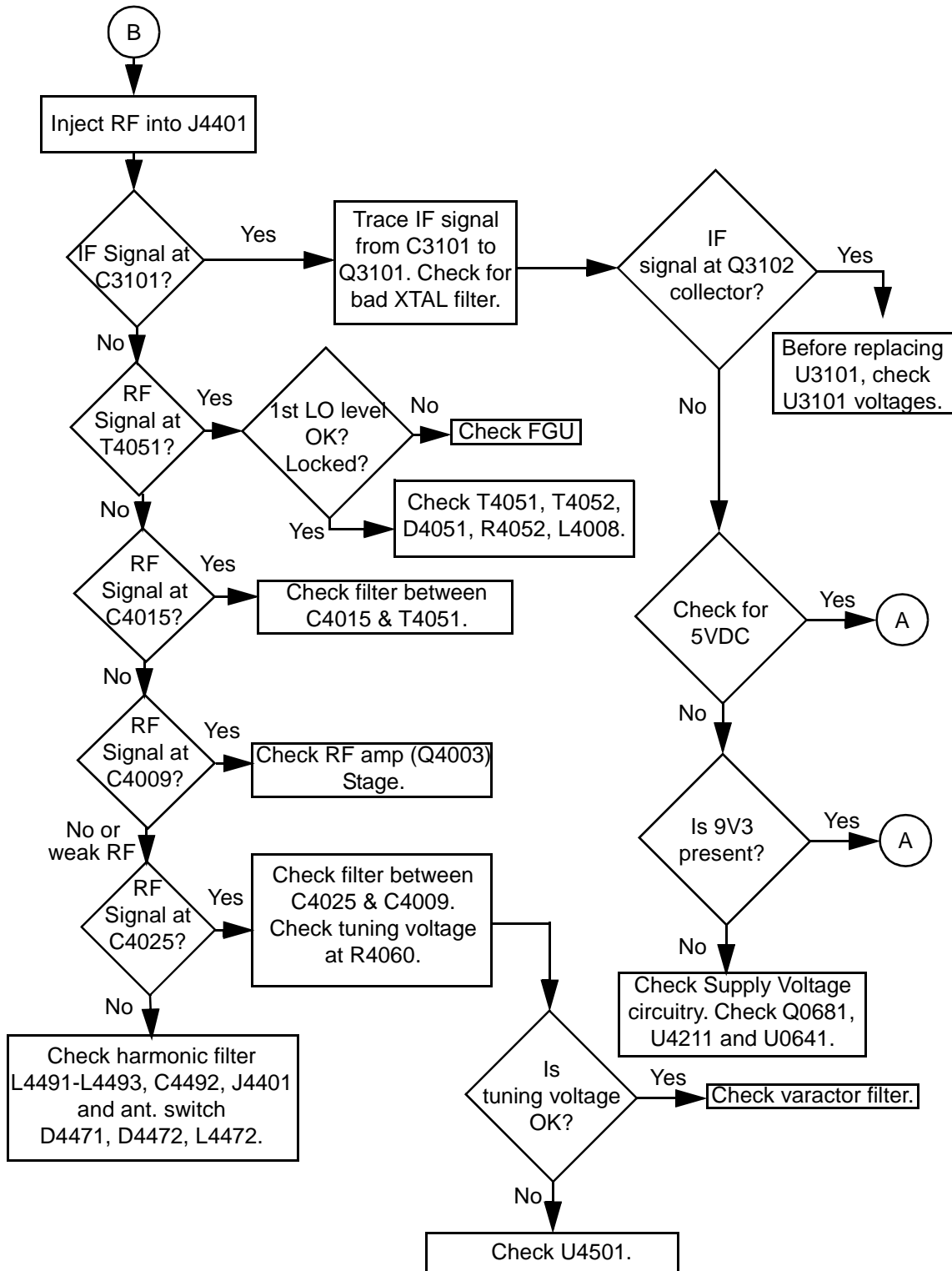
Section 3

TROUBLESHOOTING CHARTS

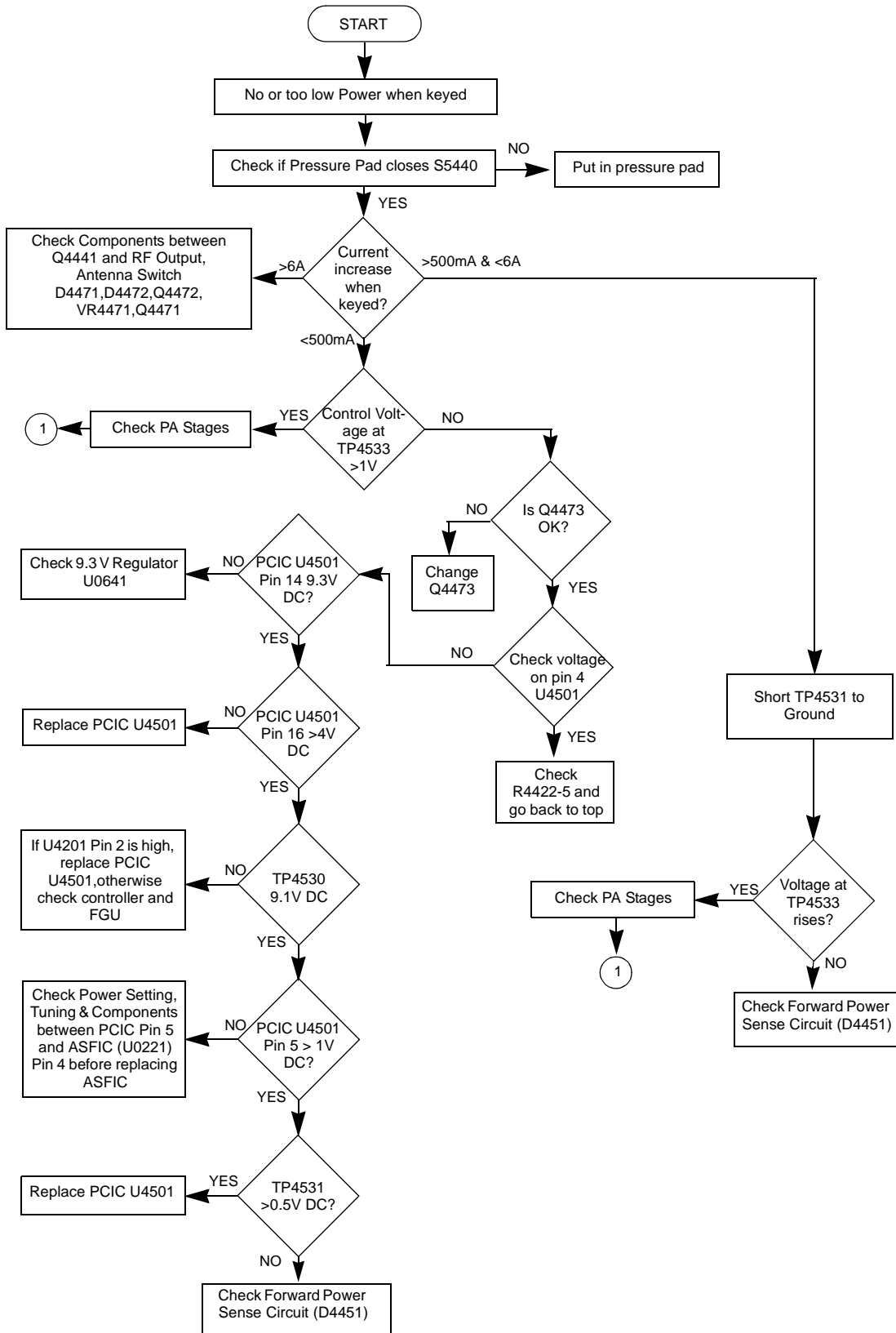
1.0 Troubleshooting Flow Chart for Receiver (Sheet 1 of 2)



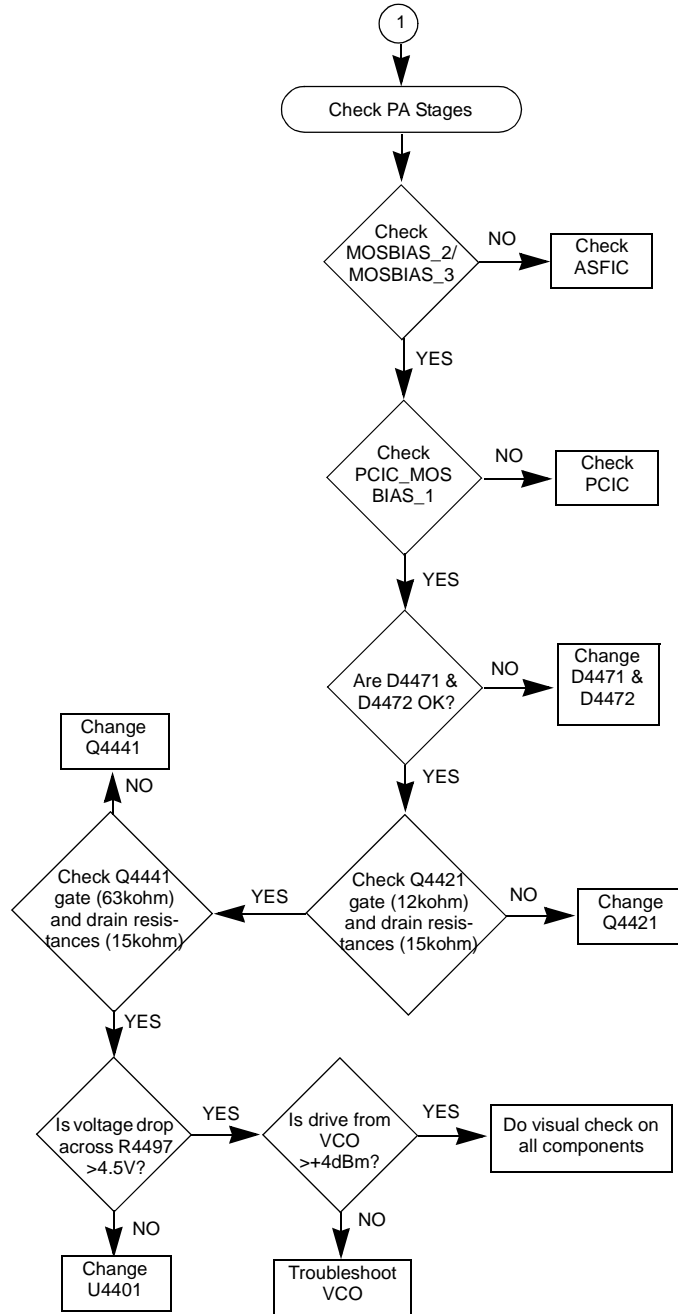
1.1 Troubleshooting Flow Chart for Receiver (Sheet 2 of 2)



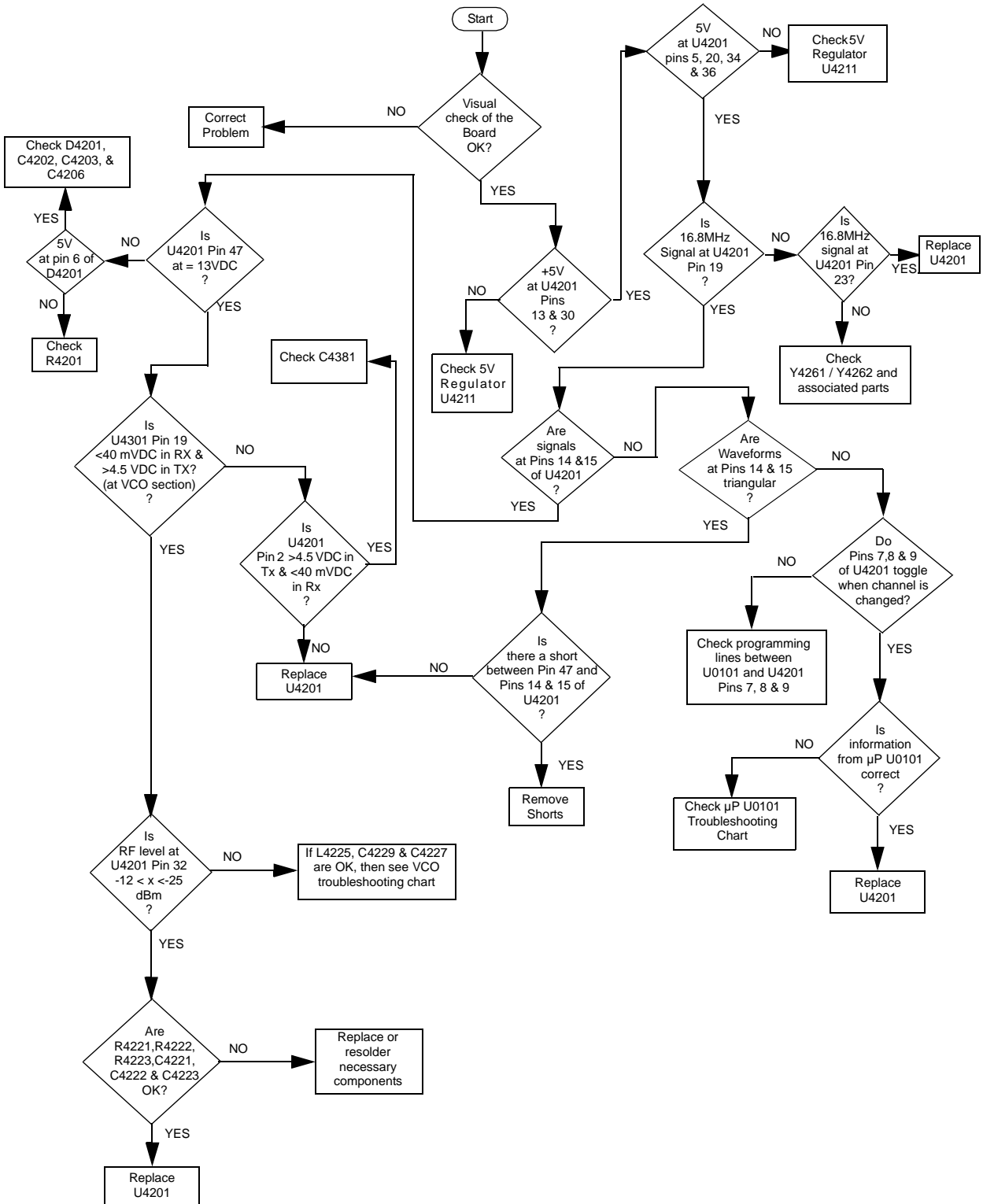
2.0 Troubleshooting Flow Chart for 40W Transmitter (Sheet 1 of 2)



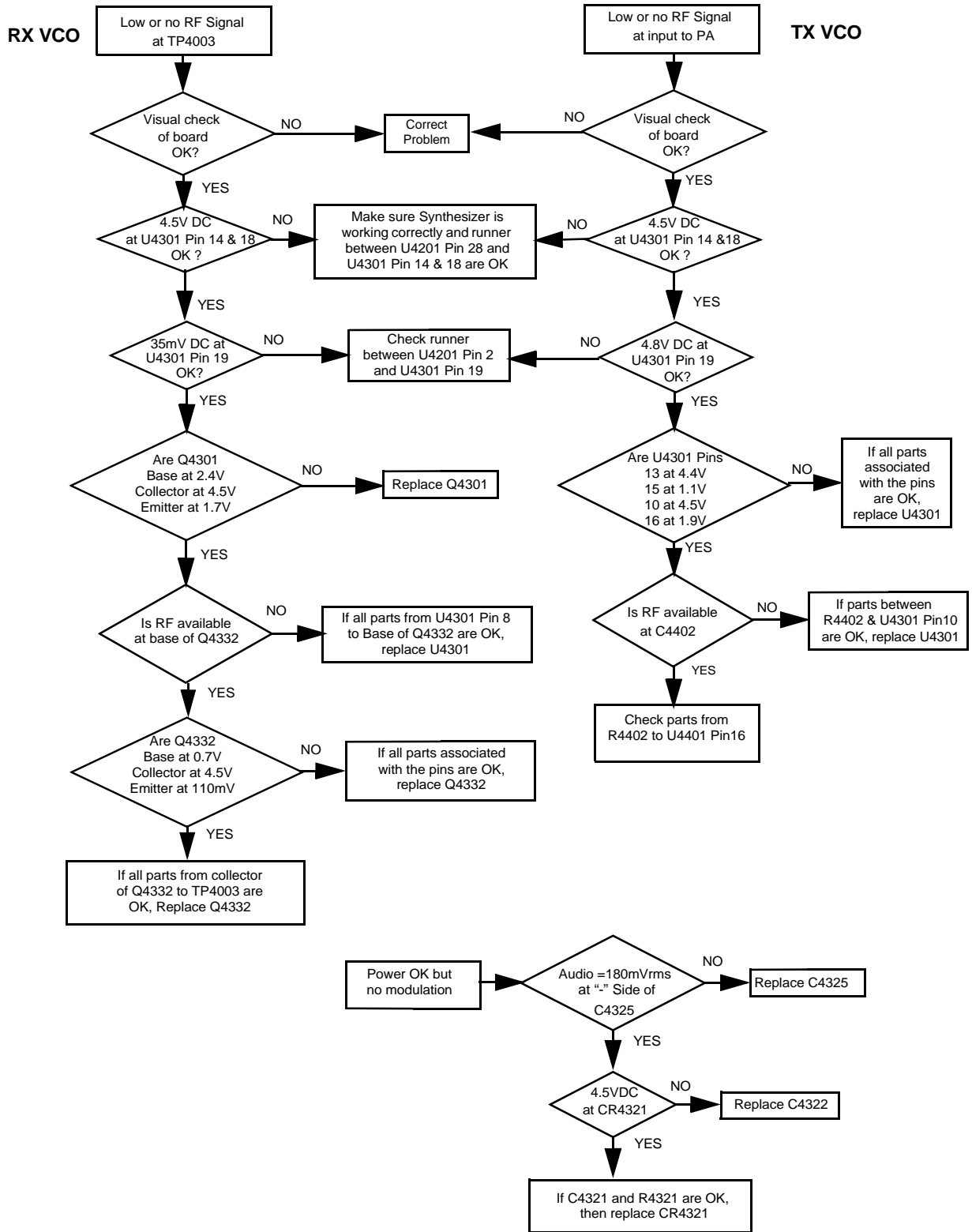
2.1 Troubleshooting Flow Chart for 40W Transmitter (Sheet 2 of 2)



3.0 Troubleshooting Flow Chart for Synthesizer



4.0 Troubleshooting Flow Chart for VCO



Section 4

UHF PCB/SCHEMATICS/PARTS LISTS

1.0 Allocation of Schematics and Circuit Boards

1.1 Controller Circuits

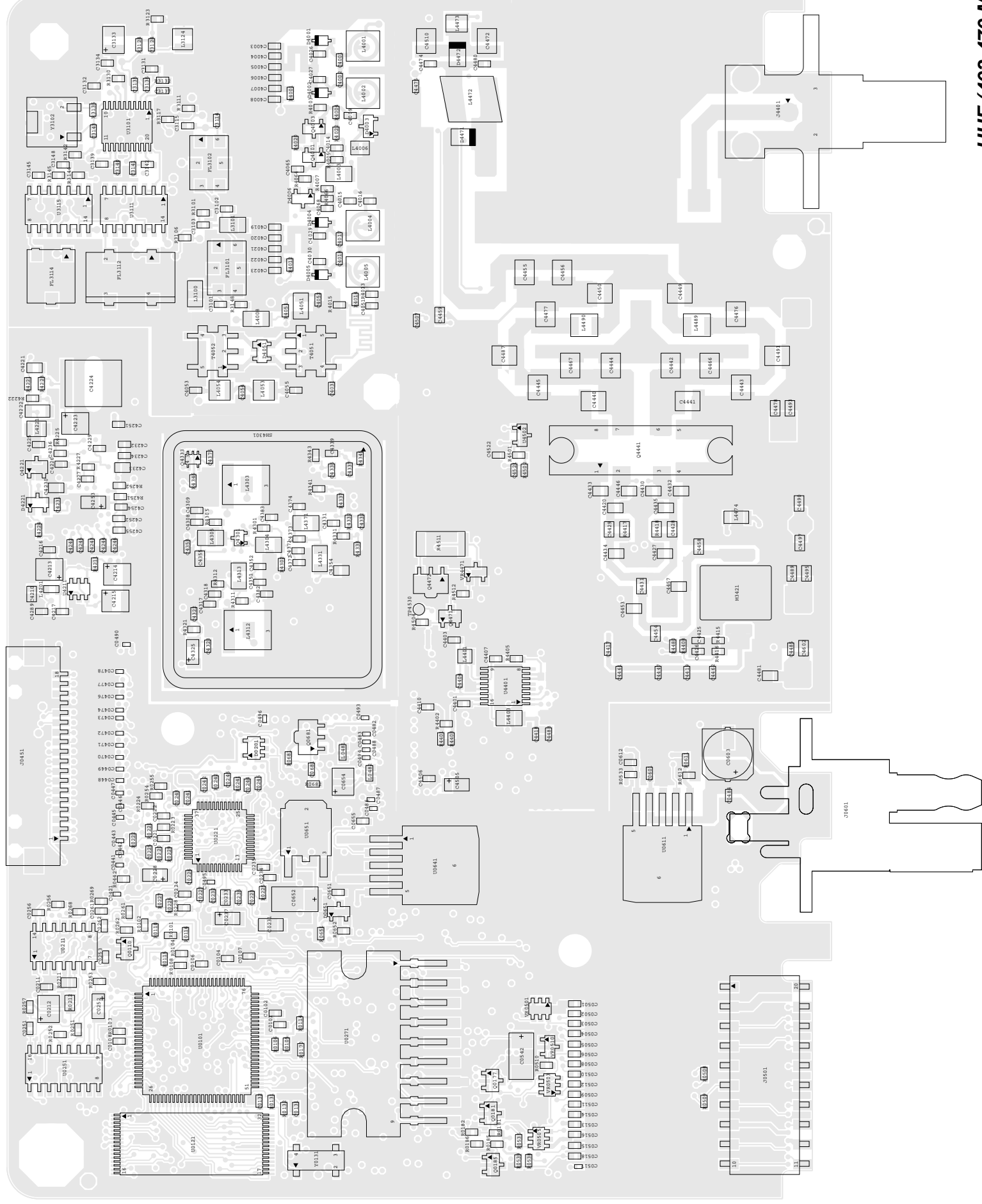
The UHF circuits are contained on the Printed Circuit Board (PCB) which also contains the Controller circuits. This Chapter shows the schematics for the UHF circuits only, refer to the Controller section for details of the related Controller circuits . The PCB component layouts and the Parts Lists in this Chapter show both the Controller and UHF circuit components. The UHF schematics and the related PCB and parts list are shown in the tables below.

Table 4-1 UHF 25-40W Diagrams and Parts Lists

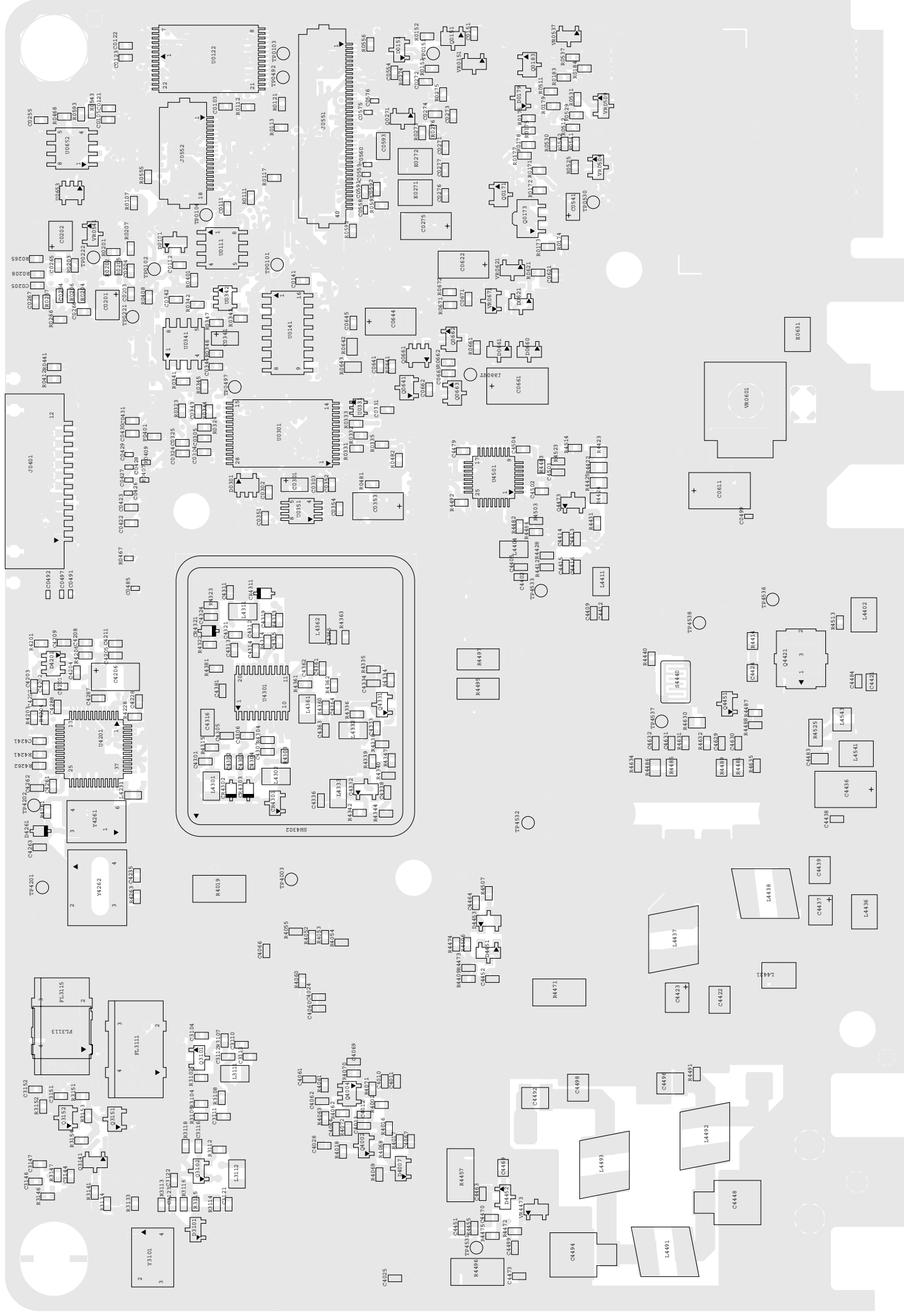
PCB : 8486127Z01 Main Board Top Side 8486127Z01 Main Board Bottom Side	Page 4-3 Page 4-4
SCHEMATICS Power Amplifier 25 - 40W FRACN Voltage Controlled Oscillator Receiver Front End IF	Page 4-5 Page 4-6 Page 4-7 Page 4-8 Page 4-9
Parts List 8486127Z01	Page 4-10

THIS PAGE INTENTIONALLY LEFT BLANK

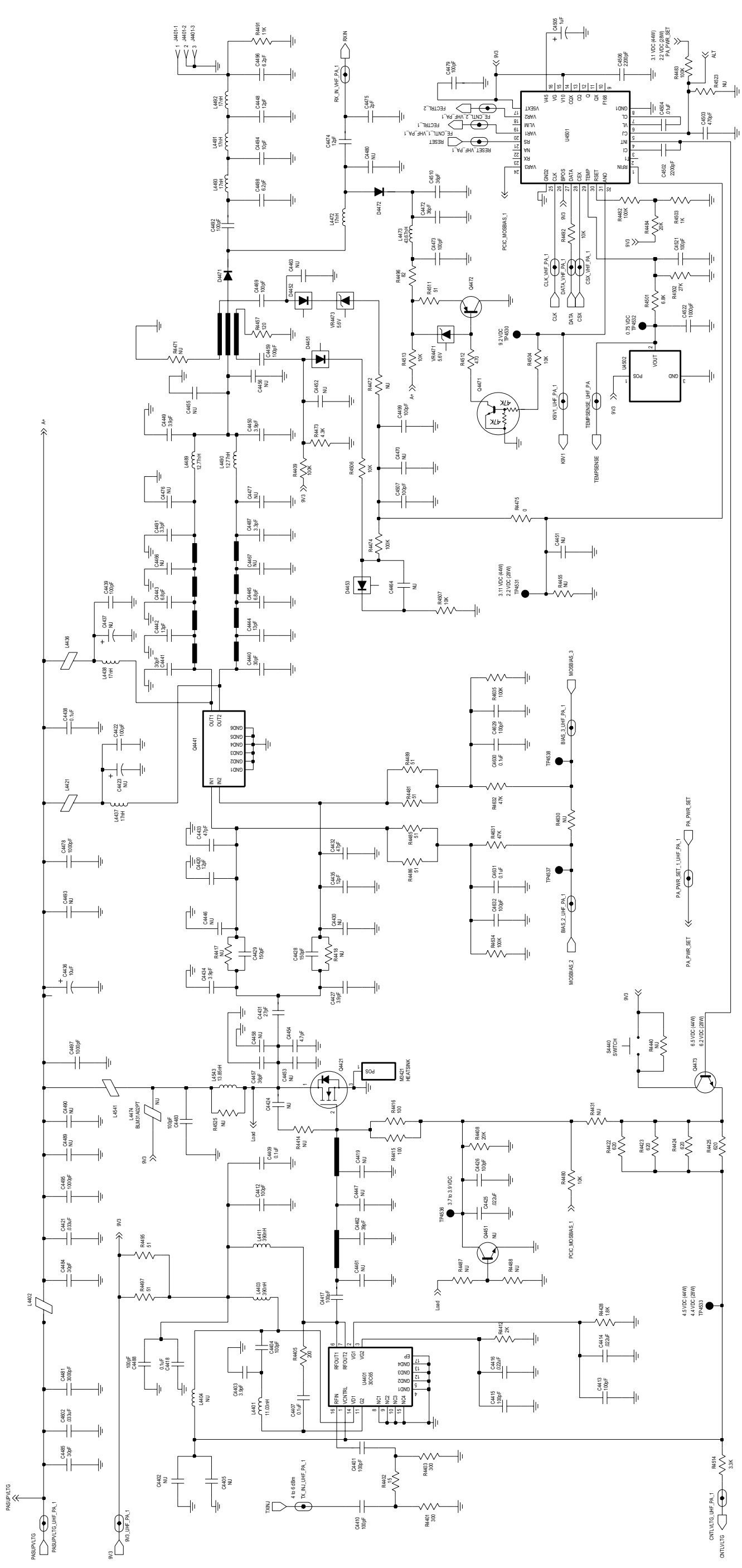
2.0 UHF 25-40W PCB / Schematics / Parts List



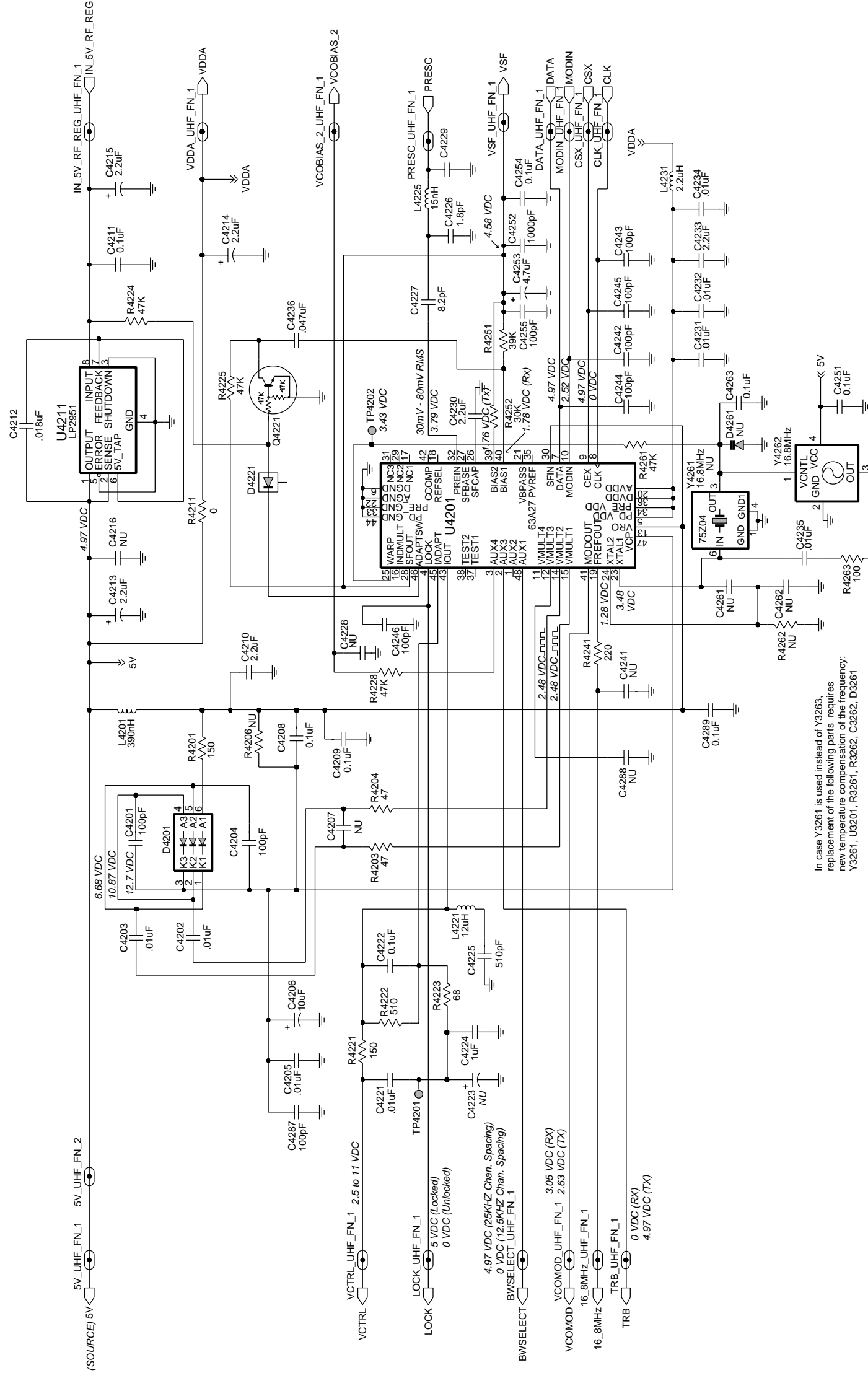
UHF (403-470 MHz) 25-40W 8486127Z01 Top Side



UHF (403-470 MHz) 25-40W 8486127Z01 Bottom Side

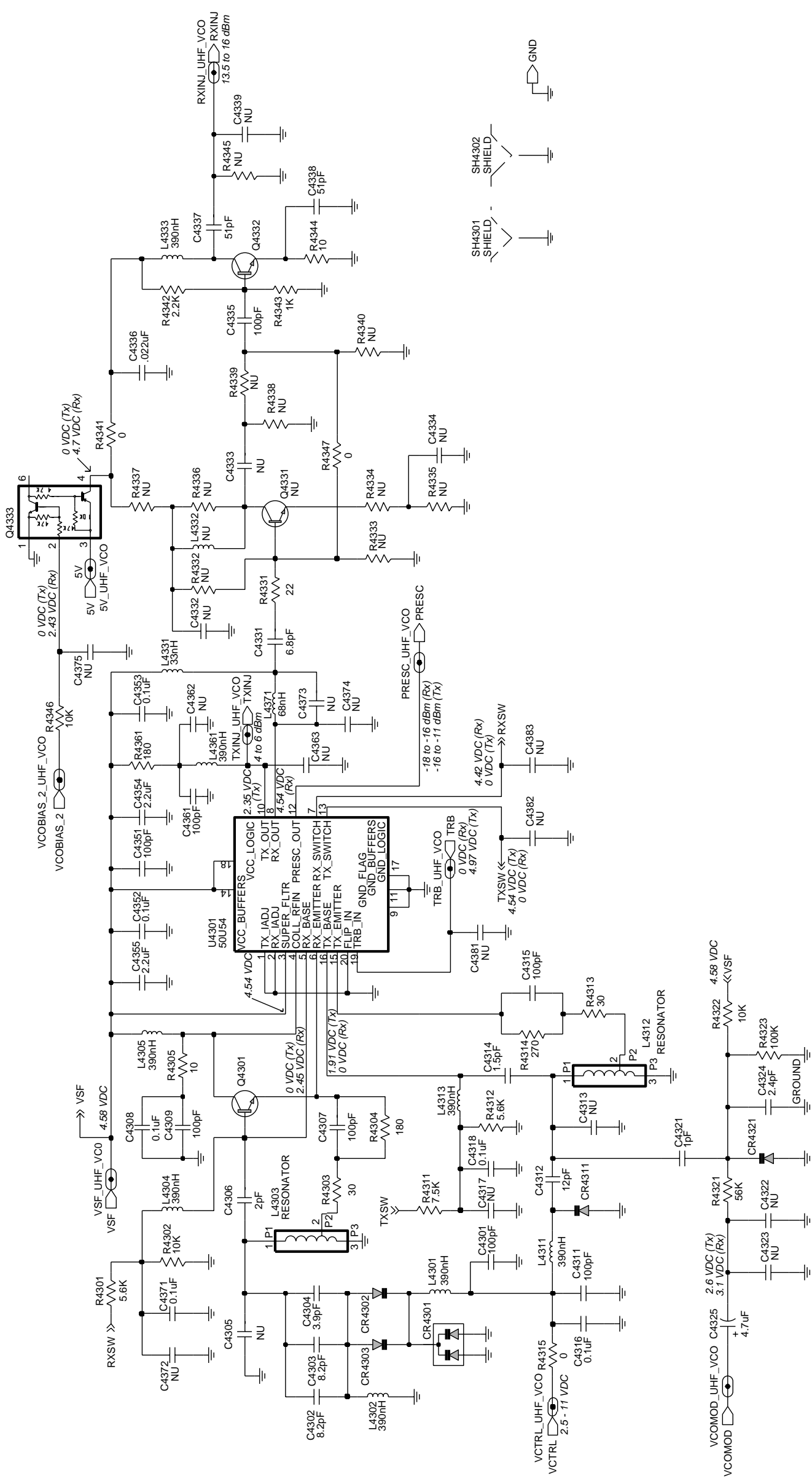


UHF (403-470 MHz) Power Amplifier 25-40W



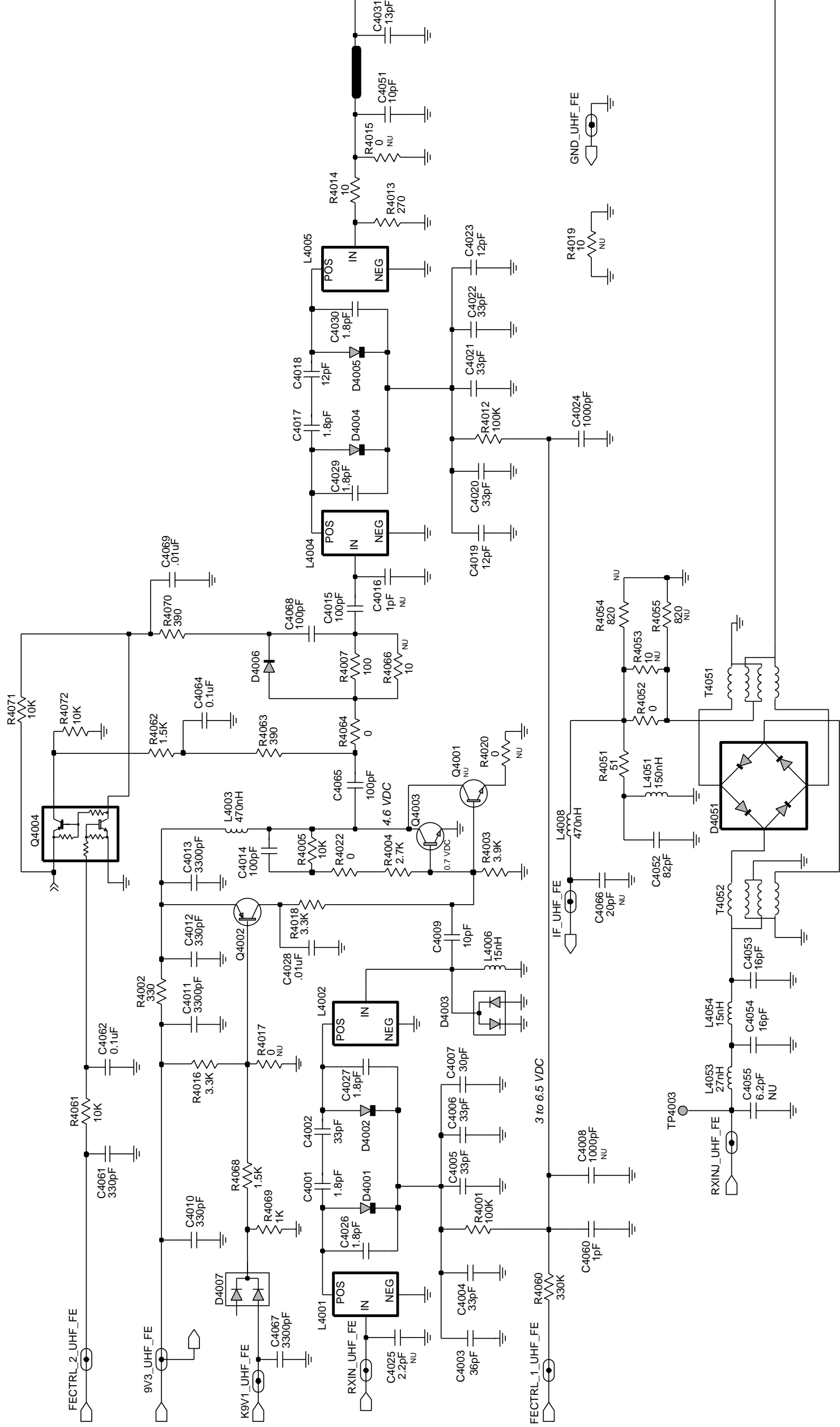
ZWG0130521-B

HF (403-470 MHz) FRACN



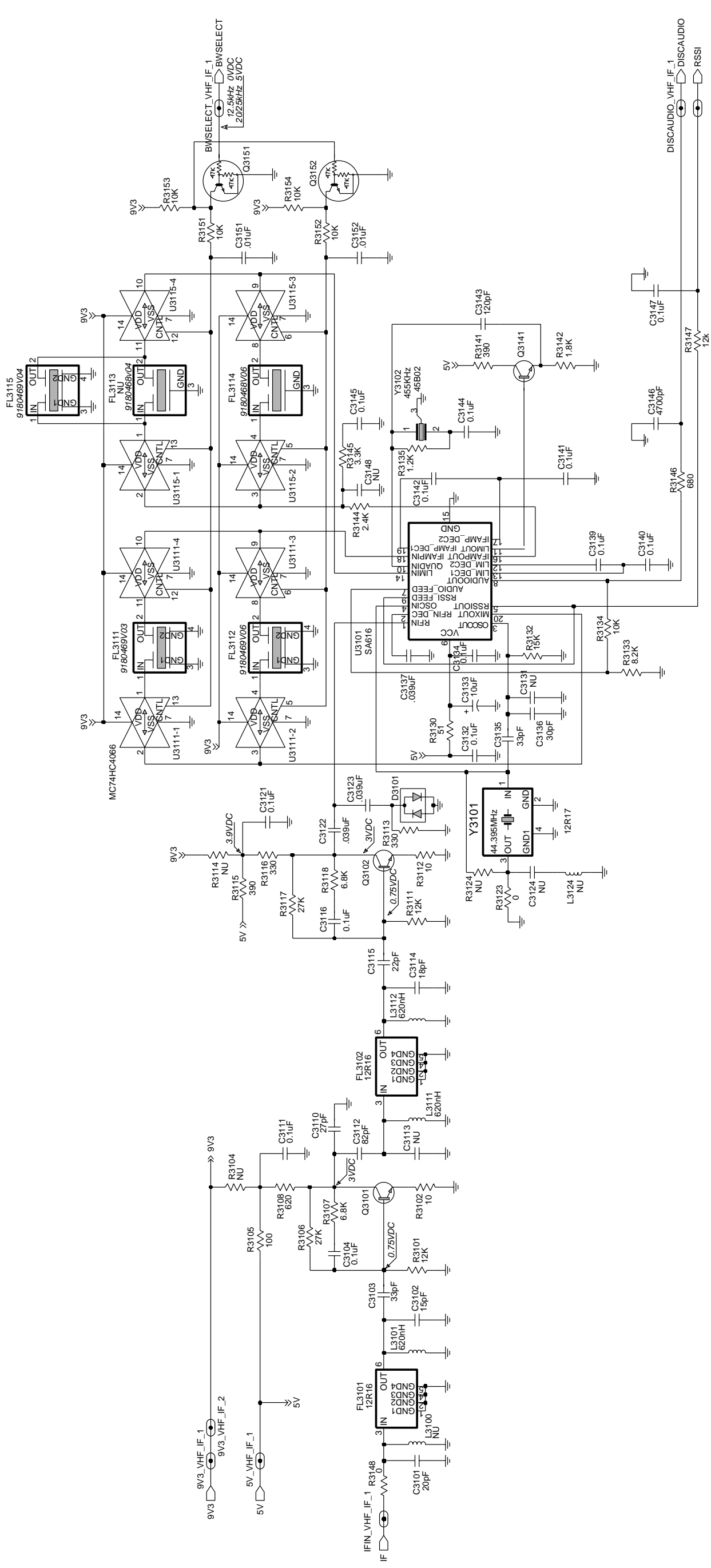
ZWVG0130523-A

UHF (403-470 MHz) Voltage Controlled Oscillator



ZWG0130524-B

UHF (403-470 MHz) Receiver Front End



ZWG0130522-A

UHF (403-470 MHz) IF

UHF PCB 8486127Z01 Parts List 25-40W

Circuit Ref	Motorola Part No.	Description
C0101	2113740F51	100pF
C0107	2113741F25	1000pF
C0112	2113743E20	0.1uF
C0121	2113743E20	0.1uF
C0122	2113743E20	0.1uF
C0131	2113740F35	22pF
C0132	2113740F35	22pF
C0141	2113743E20	0.1uF
C0151	2113741F49	10nF
C0201	2311049A57	10uF
C0202	2311049A57	10uF
C0204	2113743E20	0.1uF
C0212	2311049A57	10uF
C0221	2113743E20	0.1uF
C0222	2113743E20	0.1uF
C0223	2113740F51	100pF
C0224	2113743E20	0.1uF
C0225	2113743E20	0.1uF
C0226	2113743E20	0.1uF
C0228	2311049A56	4.7uF
C0231	2113743B29	1uF
C0232	2113743E20	0.1uF
C0234	2113743E20	0.1uF
C0235	2113743E07	0.022uF
C0236	2113743E10	0.033uF
C0241	2113743E20	0.1uF
C0243	2113740F51	100pF
C0244	2113743E20	0.1uF
C0245	2113743E20	0.1uF
C0246	2113741F49	10nF
C0251	2113743E20	0.1uF
C0252	2311049A07	1uF
C0254	2113743E20	0.1uF
C0255	2113743E20	0.1uF
C0256	2113740F51	100pF
C0261	2113743E20	0.1uF
C0262	2113740F49	82pF
C0265	2113743E20	0.1uF
C0267	2113741F49	10nF
C0271	2113741F49	10nF
C0272	2113743E20	0.1uF
C0273	2113741F37	3300pF
C0275	2311049A99	47uF
C0276	2113741F25	1000pF
C0277	2113741F25	1000pF
C0301	2311049A07	1uF
C0302	2113743E20	0.1uF
C0303	2113740F51	100pF
C0304	2113743E20	0.1uF
C0305	2113743E20	0.1uF

Circuit Ref	Motorola Part No.	Description
C0502	2113741F17	470pF
C0503	2113741F17	470pF
C0504	2113741F17	470pF
C0505	2113741F17	470pF
C0506	2113741F17	470pF
C0508	2113741F17	470pF
C0509	2113741F17	470pF
C0510	2113741F17	470pF
C0511	2113741F17	470pF
C0512	2113741F17	470pF
C0513	2113741F17	470pF
C0514	2113741F17	470pF
C0515	2113741F17	470pF
C0516	2113741F49	10nF
C0517	2113743N48	82pF
C0518	2113741F17	470pF
C0541	2311049A05	0.47uF
C0542	2311049A99	47uF
C0560	2113743L17	1000pF
C0591	2113743E20	0.1uF
C0592	2113743E20	0.1uF
C0593	2113741B69	0.1uF
C0601	2113741F17	470pF
C0603	2380090M24	10uF
C0611	2311049C06	22uF
C0612	2113743E20	0.1uF
C0622	2311049A99	47uF
C0641	2113741F17	470pF
C0644	2311049A97	33uF
C0645	2113743E20	0.1uF
C0652	2311049A97	33uF
C0654	2311049A57	10uF
C0655	2113743E20	0.1uF
C0661	2311049C05	47uF
C0662	2113741F49	10nF
C0663	2113743E20	0.1uF
C0671	2113743E20	0.1uF
C0681	2113743E20	0.1uF
C3101	2113740F34	20pF
C3102	2113740F31	15pF
C3103	2113740F39	33pF
C3104	2113743E20	0.1uF
C3110	2113740F37	27pF
C3111	2113743E20	0.1uF
C3112	2113740F49	82pF
C3114	2113740F33	18pF
C3115	2113740F35	22pF
C3116	2113743E20	0.1uF
C3121	2113743E20	0.1uF
C3122	2113743E11	0.039uF
C3123	2113743E11	0.039uF

Circuit Ref	Motorola Part No.	Description
C3132	2113743E20	0.1uF
C3133	2311049A57	10uF
C3134	2113743E20	0.1uF
C3135	2113740L30	33pF
C3136	2113740L29	30pF
C3137	2113743E11	0.039uF
C3139	2113743E20	0.1uF
C3140	2113743E20	0.1uF
C3141	2113743E20	0.1uF
C3142	2113743E20	0.1uF
C3143	2113740F53	120pF
C3144	2113743E20	0.1uF
C3145	2113743E20	0.1uF
C3146	2113741F41	4700pF
C3147	2113743E20	0.1uF
C3151	2113741F49	10nF
C3152	2113741F49	10nF
C4001	2113740F09	1.8pF
C4002	2113740F39	33pF
C4003	2113740F40	36pF
C4004	2113740F39	33pF
C4005	2113740F39	33pF
C4006	2113740F39	33pF
C4007	2113740F38	30pF
C4008	2113741F25	1000pF
C4009	2113740F27	10pF
C4010	2113741F13	330pF
C4011	2113741F37	3300pF
C4012	2113741F13	330pF
C4013	2113741F37	3300pF
C4014	2113740F51	100pF
C4015	2113740F51	100pF
C4017	2113740F09	1.8pF
C4018	2113740F29	12pF
C4019	2113740F29	12pF
C4020	2113740F39	33pF
C4021	2113740F39	33pF
C4022	2113740F39	33pF
C4023	2113740F29	12pF
C4024	2113741F25	1000pF
C4026	2113740F09	1.8pF
C4027	2113740F09	1.8pF
C4028	2113741F49	10nF
C4029	2113740F09	1.8pF
C4030	2113740F09	1.8pF
C4031	2113740F30	13pF
C4051	2113740F27	10pF
C4052	2113740F49	82pF
C4053	2113740F32	16pF
C4054	2113740F32	16pF
C4061	2113740F63	330pF

Circuit Ref	Motorola Part No.	Description	Circuit Ref	Motorola Part No.	Description	Circuit Ref	Motorola Part No.	Description
C4062	2113743E20	0.1uF	C4307	2113740F51	100pF	C4435	2113740A31	12pF
C4064	2113743E20	0.1uF	C4308	2113743E20	0.1uF	C4436	2311049A45	10uF
C4065	2113740F51	100pF	C4309	2113740F51	100pF	C4438	2113743E20	0.1uF
C4067	2113741F37	3300pF	C4311	2113740F51	100pF	C4439	2111078B42	100pF
C4068	2113740F51	100pF	C4312	2113740F29	12pF	C4440	2111078B29	33pF
C4069	2113741F49	10nF	C4314	2113740F07	1.5pF	C4441	2111078B29	33pF
C4201	2113740F51	100pF	C4315	2113740F51	100pF	C4442	2111078B16	13pF
C4202	2113741F49	10nF	C4316	2109720D14	0.1uF	C4443	2111078B09	6.8pF
C4203	2113741F49	10nF	C4318	2113743E20	0.1uF	C4444	2111078B16	13pF
C4204	2113740F51	100pF	C4321	2113740F03	1pF	C4445	2111078B09	6.8pF
C4205	2113741F49	10nF	C4324	2113740L03	2.4pF	C4448	2180464E65	12pF
C4206	2311049J25	10uF	C4325	2311049A56	4.7uF	C4449	2111078B03	3.9pF
C4208	2113743E20	0.1uF	C4331	2113740L14	6.8pF	C4450	2111078B03	3.9pF
C4209	2113743E20	0.1uF	C4335	2113740F51	100pF	C4454	2113740A18	4.3pF
C4210	2104993J02	2.2uF	C4336	2113743E07	0.022uF	C4457	2113740A42	36pF
C4211	2113743E20	0.1uF	C4337	2113740F44	51pF	C4459	2113740A55	100pF
C4213	2311049A09	2.2uF	C4338	2113740F44	51pF	C4462	2113740F41	39pF
C4214	2311049A09	2.2uF	C4351	2113740F51	100pF	C4469	2113740A55	100pF
C4215	2311049A09	2.2uF	C4352	2113743E20	0.1uF	C4472	2111078B31	36pF
C4217	2113741F49	10nF	C4353	2113743E20	0.1uF	C4473	2113740F51	100pF
C4221	2109720D01	0.01uF	C4354	2104993J02	2.2uF	C4474	2113740F29	12pF
C4222	2109720D14	0.1uF	C4355	2104993J02	2.2uF	C4475	2113740F10	2pF
C4224	0882422W23	1.0 uF	C4361	2113741F25	1000pF	C4478	2113741A21	1000pF
C4225	2113741F18	510pF	C4364	2113740F21	5.6pF	C4479	2113740F51	100pF
C4226	2113740L03	2.4pF	C4365	2113740F07	1.5pF	C4481	2113741A32	3000pF
C4227	2113740F27	10pF	C4371	2113743E20	0.1uF	C4483	2113740A55	100pF
C4230	2104993J02	2.2uF	C4401	2113740F51	100pF	C4484	2113740F38	30pF
C4231	2113741F49	10nF	C4403	2113740F17	3.9pF	C4485	2113740F38	30pF
C4232	2113741F49	10nF	C4404	2113740F51	100pF	C4487	2111078B01	3.3pF
C4233	2104993J02	2.2uF	C4407	2113743E20	0.1uF	C4488	2113740F51	100pF
C4234	2113741F49	10nF	C4409	2113743E20	0.1uF	C4491	2111078B01	3.3pF
C4235	2113741F49	10nF	C4410	2113740F51	100pF	C4492	2111078B42	100pF
C4236	2113743E12	0.047uF	C4412	2113740F51	100pF	C4494	2180464E63	10pF
C4242	2113740F51	100pF	C4413	2113740F51	100pF	C4495	2113741A21	1000pF
C4243	2113740F51	100pF	C4414	2113743E07	0.022uF	C4496	2111078B08	6.2pF
C4244	2113740F51	100pF	C4415	2113740F51	100pF	C4497	2113741A21	1000pF
C4245	2113740F51	100pF	C4416	2113743E07	0.022uF	C4498	2111078B08	6.2pF
C4246	2113740F51	100pF	C4417	2113740F44	51pF	C4499	2113740F51	100pF
C4251	2113743E20	0.1uF	C4418	2113743E20	0.1uF	C4502	2113743E01	0.012uF
C4252	2113741F25	1000pF	C4420	2113740A31	12pF	C4503	2113741F17	470pF
C4253	2311049A56	4.7uF	C4421	2113741A57	0.033uF	C4504	2113741F49	10nF
C4254	2113743E20	0.1uF	C4422	2111078B42	100pF	C4505	2311049A07	1uF
C4255	2113740F51	100pF	C4425	2113743E07	0.022uF	C4506	2113741F33	2200pF
C4263	2113743E20	0.1uF	C4426	2113740F51	100pF	C4507	2113740F51	100pF
C4287	2113740F51	100pF	C4427	2113740A18	4.3pF	C4510	2111078B31	36pF
C4289	2113743E20	0.1uF	C4428	2113740A61	180pF	C4521	2113740F51	100pF
C4301	2113740F51	100pF	C4429	2113740A61	180pF	C4522	2113741F25	1000pF
C4302	2113740L16	8.2pF	C4431	2113740A39	27pF	C4602	2113741A57	0.033uF
C4303	2113740L16	8.2pF	C4432	2113740A46	47pF	C4629	2113740F51	100pF
C4304	2113740L08	3.9pF	C4433	2113740A46	47pF	C4630	2113743E20	0.1uF
C4306	2113740L01	2pF	C4434	2113740A18	4.3pF	C4631	2113743E20	0.1uF
C4632	2113740F51	100pF						
CR4301	4805649Q13	DIODE VCTR ISV 228						
CR4302	4862824C01	DIODE VARACTOR						
CR4303	4862824C01	DIODE VARACTOR						
CR4311	4802245J22	DIODE, VARACTOR						
CR4321	4862824C01	DIODE VARACTOR						
D0101	4813825A05	DIODE						
D0151	4813833C02	DIODE, DUAL 70V						
D0179	4813833C02	DIODE, DUAL 70V						
D0301	4802245J47	DIODE, SCHOTTKY						
D0621	4813833C02	DIODE, DUAL 70V						
D0651	4813833C02	DIODE, DUAL 70V						
D0660	4813833C02	DIODE, DUAL 70V						
D0661	4813833C02	DIODE, DUAL 70V						
D3101	4880154K03	DIODE DUAL SCHOTTKY						
D4001	4862824C01	DIODE VARACTOR						
D4002	4862824C01	DIODE VARACTOR						
D4003	4880154K03	DIODE DUAL SCHOTTKY						
D4004	4862824C01	DIODE VARACTOR						
D4005	4862824C01	DIODE VARACTOR						
D4006	4880142L01	DIODE						
D4007	4813833C02	DIODE, DUAL 70V						
D4051	4886143B01	DIODE, MIXER						
D4201	4802233J09	DIODE, TRIPLE						
D4221	4813825A05	DIODE						
D4451	4813825A05	DIODE						
D4452	4813825A05	DIODE						
D4453	4813825A05	DIODE						
D4471	4802482J02	DIODE, SMD PIN						
D4472	4802482J02	DIODE, SMD PIN						
E0271	2484657R01	FERRITE BEAD						
E0272	2484657R01	FERRITE BEAD						
E0631	2484657R01	FERRITE BEAD						
F0401	6580542Z01	FUSE 3A						
FL3101	9180112R16	2 POLE 44.85 MHZ CRYSTAL FILTER						
FL3102	9180112R16	2 POLE 44.85 MHZ CRYSTAL FILTER						
FL3111	9180469V03	CERAMIC FILTER, 455KHZ						
FL3112	9180469V06	CERAMIC FILTER, 455KHZ						
FL3114	9180468V06	CERAMIC FILTER, 455KHZ						
FL3115	9180469V04	CERAMIC FILTER, 455KHZ						
J0401	0902636Y02	FLEX CONNECTOR						
J0451	0902636Y01	FLEX CONNECTOR						
J0501	0986105B01	ACCESSORY CONNECTOR						
J0551	0905505Y04	FLEX CONNECTOR						
J0552	0905505Y03	FLEX CONNECTOR						
J0601	0986165B01	DC POWER CONNECTOR						
J4401	0986166B02	RF CONNECTOR (MINI UHF)						
L3101	2462587T25	620nH						
L3111	2462587T25	620nH						

Circuit Ref	Motorola Part No.	Description	Circuit Ref	Motorola Part No.	Description	Circuit Ref	Motorola Part No.	Description
L3112	2462587T25	620nH	Q0661	480592T02	DUAL NPN/PNP	R0183	0662057A65	4.7K
L4003	2462587T23	470nH	Q0662	4880214G02	NPN	R0184	0662057A89	47K
L4006	2462587V24	15nH	Q0663	4880048M01	NPN	R0185	0662057A65	4.7K
L4008	2462587T23	470nH	Q0681	4880052M01	NPN DARLINGTON	R0186	0662057A89	47K
L4051	2462587T17	150nH	Q3101	4813827A07	NPN	R0201	0662057A25	100
L4053	2462587N46	27nH	Q3102	4813827A07	NPN	R0202	0662057A43	560
L4054	2462587N43	15nH	Q3141	4880214G02	NPN	R0203	0662057A25	100
L4201	2462587Q42	390nH	Q3151	4880048M01	NPN	R0204	0662057A43	560
L4221	2462587P25	12uH	Q3152	4880048M01	NPN	R0205	0662057A73	10K
L4231	2462587Q20	2.2uH	Q4002	4813824A17	PNP	R0206	0662057A73	10K
L4301	2462587T22	390nH	Q4003	4813827A07	NPN	R0207	0662057A57	2.2K
L4302	2462587T22	390nH	Q4004	480592T02	DUAL NPN/PNP	R0208	0662057A57	2.2K
L4303	2460593C01	RESONATOR	Q4221	4880048M01	NPN	R0211	0660076E70	7.5K
L4304	2462587T22	390nH	Q4301	4805218N63	DIODE DUAL SCHOTTKY	R0212	0660076E70	7.5K
L4305	2462587T22	390nH	Q4332	4813827A07	NPN	R0221	0662057A82	24K
L4311	2462587T22	390nH	Q4333	4809939C05	DUAL NPN/PNP	R0222	0662057A82	24K
L4312	2460593C01	RESONATOR	Q4421	4886212B01	POWER TRANSISTOR - MRF1518	R0223	0662057A84	30K
L4313	2462587T22	390nH	Q4441	4813828C32	POWER TRANSISTOR - MRF1570	R0224	0662057A71	8.2K
L4331	2462587T09	33nH	Q4471	4880048M01	NPN	R0228	0662057B47	0
L4333	2462587T22	390nH	Q4472	4805128M27	PNP	R0229	0662057A01	10
L4361	2462587T09	33nH	Q4473	4880214G02	NPN	R0241	0662057A89	47K
L4362	2462587T09	33nH	R0101	0662057A73	10K	R0242	0662057B47	0
L4371	2462587T13	68nH	R0102	0662057A65	4.7K	R0251	0662057A89	47K
L4401	2460591B04	11.03nH	R0103	0662057A01	10	R0252	0662057A91	56K
L4402	2484657R01	FERRITE BEAD	R0104	0662057A73	10K	R0253	0662057A97	100K
L4403	2462587T22	390nH	R0106	0662057B47	0	R0254	0662057A73	10K
L4411	2462587T22	390nH	R0108	0662057A57	2.2K	R0255	0662057A73	10K
L4421	2484657R01	FERRITE BEAD	R0111	0662057B47	0	R0256	0662057A97	100K
L4436	2484657R01	FERRITE BEAD	R0113	0662057A73	10K	R0257	0662057A57	2.2K
L4437	2460592A01	17nH	R0114	0662057A73	10K	R0261	0662057A73	10K
L4438	2460592A01	17nH	R0115	0662057A73	10K	R0262	0662057B08	270K
L4472	2460592A01	17nH	R0117	0662057A63	3.9K	R0265	0662057A82	24K
L4473	2460591N36	43.67nH	R0121	0662057A97	100K	R0267	0662057A89	47K
L4489	2460591B77	13.9nH	R0131	0662057B46	10M	R0268	0662057A73	10K
L4490	2460591B77	13.9nH	R0132	0662057B10	330K	R0269	0662057A41	470
L4491	2460592A01	17nH	R0151	0662057A82	24K	R0273	0662057A82	24K
L4492	2460592A01	17nH	R0152	0662057A82	24K	R0275	0662057A73	10K
L4493	2460592A01	17nH	R0170	0662057A73	10K	R0276	0662057A77	15K
L4541	2484657R01	FERRITE BEAD	R0171	0662057A65	4.7K	R0323	0662057A79	18K
L4543	2460591C23	13.85nH	R0172	0662057A73	10K	R0324	0662057A79	18K
M3421	2686201B01	HEAT SPREADER	R0173	0662057A65	4.7K	R0331	0662057A73	10K
Q0110	4880048M01	NPN	R0174	0662057A65	4.7K	R0332	0662057A73	10K
Q0151	4880048M01	NPN	R0175	0662057A73	10K	R0333	0662057A73	10K
Q0171	4880048M01	NPN	R0176	0662057A84	30K	R0335	0662057B02	150K
Q0173	4880052M01	NPN DARLINGTON	R0177	0662057A65	4.7K	R0341	0662057A73	10K
Q0177	4880048M01	NPN	R0178	0662057A89	47K	R0342	0662057A55	1.8K
Q0181	4880048M01	NPN	R0179	0662057A89	47K	R0343	0662057B47	0
Q0183	4880048M01	NPN	R0181	0662057A65	4.7K	R0344	0662057A91	56K
Q0185	4880048M01	NPN	R0182	0662057A89	47K	R0345	0662057A66	5.1K
Q0271	4880214G02	NPN				R0346	0662057A89	47K
Q0641	4880048M01	NPN				R0347	0662057A89	47K
R0401	0662057A33	220						
R0407	0662057M26	10						
R0408	0662057A25	100						
R0409	0662057M26	10						
R0412	0662057B47	0						
R0441	0662057B47	0						
R0442	0662057A49	1K						
R0467	0662057M26	10						
R0468	0662057A97	100K						
R0481	0662057B47	0						
R0482	0662057B47	0						
R0508	0662057A41	470						
R0509	0662057B47	0						
R0510	0662057A65	4.7K						
R0511	0662057A97	100K						
R0512	0662057A77	15K						
R0525	0662057A97	100K						
R0529	0662057A89	47K						
R0530	0662057A81	22K						
R0531	0662057A43	560						
R0533	0662057B47	0						
R0535	0662057A49	1K						
R0537	0662057A33	220						
R0538	0662057A33	220						
R0539	0662057A65	4.7K						
R0541	0662057A83	27K						
R0543	0662057A97	100K						
R0555	0662057A25	100						
R0556	0662057A25	100						
R0591	0662057A82	24K						
R0592	0662057A01	10						
R0593	0662057A97	100K						
R0611	0662057A91	56K						
R0612	0662057A65	4.7K						
R0621	0662057A82	24K						
R0641	0662057A73	10K						
R0642	0660076E70	7.5K						
R0643	0660076E51	1.2K						
R0651	0662057A01	10						
R0652	0662057A01	10						
R0661	0662057A49	1K						
R0662	0662057B02	150K						
R0671	0662057A84	30K						
R0672	0662057A73	10K						
R0681	0662057A79	18K						
R0682	0662057A93	68K						
R3101	0662057A75	12K						
R3102	0662057A01	10						
R3105	0662057A25	100						
R3106	0662057A83	27K						
R3107	0662057A69	6.8K						

Circuit Ref	Motorola Part No.	Description
R3108	0662057A44	620
R3111	0662057A75	12K
R3112	0662057A01	10
R3113	0662057A37	330
R3115	0662057A39	390
R3116	0662057A37	330
R3117	0662057A83	27K
R3118	0662057A69	6.8K
R3123	0662057B47	0
R3130	0662057A18	51
R3132	0662057A77	15K
R3133	0662057A71	8.2K
R3134	0662057A73	10K
R3135	0662057A51	1.2K
R3141	0662057A39	390
R3142	0662057A55	1.8K
R3144	0662057A58	2.4K
R3145	0662057A61	3.3K
R3146	0662057A45	680
R3147	0662057A75	12K
R3148	0662057B47	0
R3151	0662057A73	10K
R3152	0662057A73	10K
R3153	0662057A73	10K
R3154	0662057A73	10K
R4001	0662057A97	100K
R4002	0662057A37	330
R4003	0662057A63	3.9K
R4004	0662057A59	2.7K
R4005	0662057A73	10K
R4007	0662057A25	100
R4012	0662057A97	100K
R4013	0662057A35	270
R4014	0662057A01	10
R4016	0662057A61	3.3K
R4018	0662057A61	3.3K
R4022	0662057B47	0
R4051	0662057A18	51
R4052	0662057B47	0
R4060	0662057B10	330K
R4061	0662057A73	10K
R4062	0662057A53	1.5K
R4063	0662057A39	390
R4064	0662057B47	0
R4068	0662057A53	1.5K
R4069	0662057A49	1K
R4070	0662057A39	390
R4071	0662057A73	10K
R4072	0662057A73	10K
R4201	0662057A29	150
R4203	0662057A17	47

Circuit Ref	Motorola Part No.	Description
R4204	0662057A17	47
R4211	0662057B47	0
R4221	0662057A29	150
R4222	0662057A42	510
R4223	0662057A21	68
R4224	0662057A89	47K
R4225	0662057A89	47K
R4228	0662057A73	10K
R4241	0662057A33	220
R4251	0662057A87	39K
R4252	0662057A84	30K
R4261	0662057A89	47K
R4263	0662057A25	100
R4301	0662057A67	5.6K
R4302	0662057A73	10K
R4303	0662057A12	30
R4304	0662057A31	180
R4305	0662057A01	10
R4311	0662057A70	7.5K
R4312	0662057A67	5.6K
R4313	0662057A12	30
R4314	0662057A35	270
R4315	0662057B47	0
R4321	0662057A91	56K
R4322	0662057A73	10K
R4323	0662057A97	100K
R4331	0662057A09	22
R4341	0662057B47	0
R4342	0662057A57	2.2K
R4343	0662057A49	1K
R4344	0662057A01	10
R4346	0662057A73	10K
R4347	0662057B47	0
R4360	0662057A35	270
R4361	0662057A31	180
R4362	0662057A01	10
R4363	0662057A49	1K
R4381	0662057A41	470
R4401	0662057A36	300
R4402	0662057A05	15
R4403	0662057A36	300
R4405	0662057A32	200
R4408	0662057A80	20K
R4409	0662057A97	100K
R4412	0662057A56	2K
R4415	0662057A15	39
R4416	0662057A15	39
R4422	0611079A69	620
R4423	0611079A69	620
R4424	0611079A69	620
R4425	0611079A69	620

Circuit Ref	Motorola Part No.	Description
R4428	0662057A55	1.8K
R4457	0683962T51	120
R4473	0662057A64	4.3K
R4474	0662057A97	100K
R4475	0662057B47	0
R4480	0662057A73	10K
R4481	0662057C44	51
R4482	0662057B09	300K
R4483	0662057A97	100K
R4484	0662057A93	68K
R4485	0662057C44	51
R4486	0662057C44	51
R4489	0662057C44	51
R4491	0662057A74	11K
R4492	0662057A73	10K
R4495	0680195M18	51
R4496	0680194M23	82
R4497	0680195M18	51
R4501	0662057A67	5.6K
R4502	0662057A93	68K
R4503	0662057A63	3.9K
R4504	0662057A73	10K
R4506	0662057A73	10K
R4507	0662057A73	10K
R4511	0680194M18	51
R4512	0662057A41	470
R4513	0662057A73	10K
R4514	0662057A61	3.3K
R4631	0662057A89	47K
R4632	0662057A89	47K
R4634	0662057A97	100K
R4635	0662057A97	100K
SH4301	2602641Y02	SHIELD
SH4302	2602641Y02	SHIELD
T4051	2505515V03	TRANSFORMER 4:1
T4052	2505515V04	TRANSFORMER 5:1
U0101	5102226J56	MICROPROCESSOR
U0111	5102463J64	EEPROM
U0121	5186137B01	IC, FLASH ROM
U0122	5185748L01	SRAM
U0141	5113805A30	REMUX
U0211	5183222M49	IC, QUAD OPAMP
U0221	5185130C53	IC, ASFIC
U0251	5184704M60	IC-CMOS ANALOG
U0271	5109699X01	AUDIO PA
U0301	5109152M01	EEPROM ANALOG
U0331	5186204B01	BUFFER / DRIVER
U0341	5113818A01	LINEAR IC OP AMP
U0342	5105750U28	IC CMOS SWITCH
U0351	5102463J40	REGULATOR, 3.3V

Circuit Ref	Motorola Part No.	Description
U0611	51833308X01	ADJUSTABLE VOLTAGE REGULATOR
U0641	51833308X01	ADJUSTABLE VOLTAGE REGULATOR
U0651	5113816A07	REGULATOR, 5V
U0652	5113815A02	UNDERVOLT SENSOR
U3101	5186144B01	IC, IF
U3111	5102463J52	QUAD ANALOG SWITCH
U3115	5102463J52	QUAD ANALOG SWITCH
U4201	5185963A27	IC FRACTN
U4211	5105739X05	IC, VOLTAGE REGULATOR
U4301	5105750U54	IC, VCO
U4401	5185130C65	IC LDMOS DRIVER
U4501	5185765B26	IC POWER CONTROL
U4502	5185963A15	IC TEMPERATURE SENSOR
VR0151	4813830A15	DIODE, 5.6V
VR0501	48056656W09	DIODE, ZENER
VR0503	48056656W09	DIODE, ZENER
VR0504	4813830A40	SOC23 AUTO SDN
VR0505	48056656W09	DIODE, ZENER
VR0509	4813830A40	DIODE, ZENER
VR0510	4813830A40	DIODE, ZENER
VR0537	4813830A15	DIODE, 5.6V
VR0541	4813830A27	DIODE, 14V
VR0601	4813832C77	DIODE
VR0621	4813830A15	DIODE, 5.6V
VR4471	4813830A15	DIODE, 5.6V
VR4473	4813830A15	DIODE, 5.6V
Y0131	4880113R19	CRYSTAL 38.4KHZ
Y3101	48800606B09	2ND OSC XTAL 44.395 MHZ
Y3102	9186145B02	455KHz DISCRIMINATOR
Y4262	4886182B01	TCXO 16.8MHZ

* Motorola Depot Servicing only
Reference designators with an asterisk indicate components which are not field replaceable because they need to be calibrated with specialized factory equipment after installation.
Radios in which these parts have been replaced in the field will be off frequency at temperature extremes.

THIS PAGE INTENTIONALLY LEFT BLANK



MOTOROLA

GM338

Mobile Radios

UHF B2 HIGH POWER LDMOS
(450-520 MHz)

Service Information

Computer Software Copyrights

The Motorola products described in this manual may include copyrighted Motorola computer programs stored in semiconductor memories or other media. Laws in the United States and other countries preserve for Motorola certain exclusive rights for copyrighted computer programs, including the exclusive right to copy or reproduce in any form, the copyrighted computer program. Accordingly, any copyrighted Motorola computer programs contained in the Motorola products described in this manual may not be copied or reproduced in any manner without the express written permission of Motorola. Furthermore, the purchase of Motorola products shall not be deemed to grant, either directly or by implication, estoppel or otherwise, any license under the copyrights, patents or patent applications of Motorola, except for the normal non-exclusive royalty-free license to use that arises by operation of law in the sale of a product.

Table of Contents

Section 1 Model Chart and Technical Specifications

1.0 GM338 Model Chart.....	1-1
2.0 Technical Specifications	1-1

Section 2 Theory of Operation

1.0 Introduction	2-1
2.0 UHF (450-520 MHz) Receiver	2-1
2.1 Receiver Front-End	2-1
2.2 Front-End Band-Pass Filters & Pre-Amplifier	2-2
2.3 First Mixer and High Intermediate Frequency (IF).....	2-2
2.4 Low Intermediate Frequency (IF) and Receiver Back End.....	2-3
3.0 UHF (450-520 MHz) Transmitter Power Amplifier (PA) 40W.....	2-3
3.1 First Power Controlled Stage.....	2-4
3.2 Power Controlled Driver Stage	2-4
3.3 Final Stage	2-4
3.4 Directional Coupler	2-4
3.5 Antenna Switch.....	2-5
3.6 Harmonic Filter	2-5
3.7 Power Control.....	2-5
4.0 UHF (450-520 MHz) Frequency Synthesis	2-6
4.1 Reference Oscillator	2-6
4.2 Fractional-N Synthesizer	2-6
4.3 Voltage Controlled Oscillator (VCO).....	2-8
4.4 Synthesizer Operation	2-9

Section 3 Troubleshooting Charts

1.0 Troubleshooting Flow Chart for Receiver	3-1
2.0 Troubleshooting Flow Chart for 40W Transmitter	3-3
3.0 Troubleshooting Flow Chart for Synthesizer.....	3-4
4.0 Troubleshooting Flow Chart for VCO.....	3-5

Section 4 UHF PCB/Schematics/Parts Lists

1.0	Allocation of Schematics and Circuit Boards	4-1
1.1	Controller Circuits	4-1
2.0	UHF Band 2 25-40W PCB / Schematics / Parts List	4-3
	UHF Band 2 (450-520 MHz) 40W 8486250Z02 Top Side.....	4-3
	UHF Band 2 (450-520 MHz) 40W 8486250Z02 Bottom Side.....	4-4
	UHF Band 2 (450-520 MHz) Power Amplifier 40W	4-5
	UHF Band 2 (450-520 MHz) FRACN	4-6
	UHF Band 2 (450-520 MHz) Voltage Controlled Oscillator	4-7
	UHF Band 2 (450-520 MHz) Receiver Front End.....	4-8
	UHF Band 2 (450-520 MHz) IF.....	4-9
	UHF Band 2 PCB 8486250Z02 Parts List 25-40W.....	4-10

Section 1

MODEL CHART AND TECHNICAL SPECIFICATIONS

1.0 GM338 Model Chart

GM Series, UHF Band 2, 450-520 MHz		
Model		Description
AZM25SKF9AA5		GM338 450-520 MHz 25-40W (LDMOS)
	Item	Description
X	GCN6114_	GM338 Control Head Direct Mount
X	IMUE6019_	Tanapa WM 450-520 MHz 25-40W
X	RAE4155_	BNC 470-512 MHz, 1/4 Wave Roof Mount
X	RAE4156_	BNC 470-494 MHz, 3.5 Gain Roof Mount
X	RAE4157_	BNC 494-512 MHz, 5dB Gain Roof Mount
X	6804112J06	GM338 User Guide

x = Indicates one of each is required.

2.0 Technical Specifications

Data is specified for +25°C unless otherwise stated.

General Specifications	
Channel Capacity GM338	128
Power Supply	13.2Vdc (10.8 - 15.6Vdc)
Dimensions: H x W x D (mm) Depth excluding knobs	GM338 59mm x 179mm x 198mm (25 - 40W) (add 9mm for Volume Knob)
Weight GM338	1400 g
Sealing:	Withstands rain testing per MIL STD 810 C/D/E and IP54
Shock and Vibration:	Protection provided via impact resistant housing exceeding MIL STD 810-C/D/E
Dust, Salt & Fog:	Protection provided via environment resistant housing exceeding MIL STD 810 C/D/E

Transmitter	UHF
*Frequencies - Full Bandsplit	UHF 450-520 MHz
Channel Spacing	12.5/20/25 kHz
Frequency Stability (-30°C to +60°C, +25° Ref.)	±2.0 ppm
Power	25-40W
Modulation Limiting	±2.5 @ 12.5 kHz ±4.0 @ 20 kHz ±5.0 @ 25 kHz
FM Hum & Noise	-40 dB @ 12.5kHz -45 dB @ 20/25kHz
Conducted/Radiated Emission (ETS)	-36 dBm <1 GHz -30 dBm >1 GHz
Adjacent Channel Power	-60 dB @ 12.5 kHz -70 dB @ 25 kHz
Audio Response (300 - 3000 Hz)	+1 to -3 dB
Audio Distortion @ 1000Hz, 60% Rated Maximum Deviation	<3% typical

Receiver	UHF
*Frequencies - Full Bandsplit	UHF 450-520 MHz
Channel Spacing	12.5/20/25 kHz
Sensitivity (12 dB SINAD)	0.30 µV (0.22 µV typical)
Intermodulation (ETS)	>65 dB
Adjacent Channel Selectivity (ETS)	65 dB @ 12.5 kHz 70 dB @ 20 kHz 75 dB @ 25 kHz
Spurious Rejection (ETS)	70 dB @ 12.5 kHz 75 dB @ 20/25 kHz
Rated Audio	3W Internal 7.5W External 13W External
Audio Distortion @ Rated Audio	<3% typical
Hum & Noise	-40 dB @ 12.5 kHz -45 dB @ 20/25 kHz
Audio Response (300 - 3000Hz @ 20/25kHz) (300 - 2550Hz @ 12.5kHz)	+1 to -3 dB
Conducted Spurious Emission (ETS)	-57 dBm <1 GHz -47 dBm >1 GHz

*Availability subject to the laws and regulations of individual countries.

Section 2

THEORY OF OPERATION

1.0 Introduction

This Chapter provides a detailed theory of operation for the UHF circuits in the radio. For details of the theory of operation and troubleshooting for the associated Controller circuits refer to the Controller Section of this manual.

2.0 UHF (450-520 MHz) Receiver

2.1 Receiver Front-End

The UHF receiver, shown in Figure 2-1, is able to cover the UHF range from 450 to 520 MHz. It consists of four major blocks: front-end bandpass filters and pre-amplifier, first mixer, high-IF, low-IF and receiver back-end. Two varactor-tuned bandpass filters perform antenna signal pre-selection. A cross over quad diode mixer converts the signal to the first IF of 44.85 MHz. Low-side first injection is used.

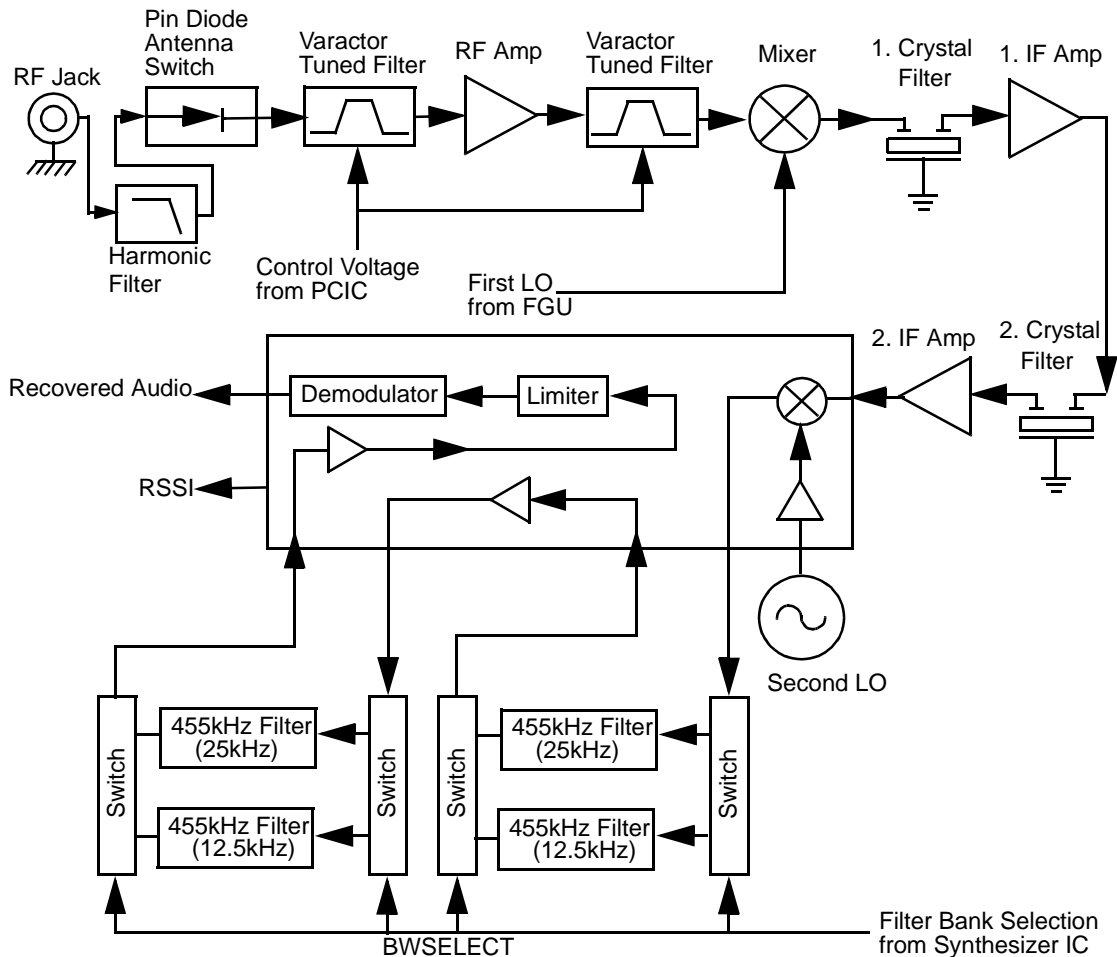


Figure 2-1 UHF Receiver Block Diagram

The two 2-pole 44.85 MHz crystal filters in the high-IF section and two pairs of 455 kHz ceramic filters in the low-IF section provide the required adjacent channel selectivity. The correct pair of ceramic filters for 12.5 or 25KHz channel spacing is selected via control line BWSELECT. The second IF at 455 kHz is mixed, amplified, and demodulated in the IF IC. The processing of the demodulated audio signal is performed by an audio processing IC located in the controller section.

2.2 Front-End Band-Pass Filters & Pre-Amplifier

The received signal from the radio's antenna connector is first routed through the harmonic filter and antenna switch, which are part of the RF power amplifier circuits, before being applied to the receiver pre-selector filter (C5001, C5002, D5001, and related components). The 2-pole pre-selector filter, tuned by the varactor diodes D5001 and D5002, pre-select the incoming signal (RXIN) from the antenna switch to reduce spurious effects to the stages that follow. The tuning voltage (FECTRL_1), ranging from 2 volts to 8 volts, is controlled by pin 20 of PCIC (U5501) in the transmitter section. A dual hot carrier diode (D5003) limits any inband signal to 0 dBm to prevent damage to the pre-amplifier.

The RF pre-amplifier is an SMD device (Q5003) with collector base feedback to stabilize gain, impedance, and intermodulation. The collector current of approximately 11-16 mA is drawn from the 9.3 volt supply via L5003 and R5002. A 3dB pad (R5006, R5007, R5011, and R5008 - R5010) stabilizes the output impedance and intermodulation performance.

A second 2-pole varactor tuned bandpass filter provides additional filtering of the amplified signal. Varactor diodes D5004 and D5005 are controlled by the same signal, FECTRL_1, which controls the pre-selector filter. A following 1 dB pad (R5013 - R5015) stabilizes the output impedance and intermodulation performance.

2.3 First Mixer and High Intermediate Frequency (IF)

The signal from the front-end is converted to the first IF (44.85 MHz) using cross-over, quad diode mixer D5051. Its ports are matched for incoming RF signal conversion to the 44.85 MHz IF using low side injection via matching transformers T5051 and T5052. The injection signal (RXINJ) coming from the RX VCO buffer (Q5332) is filtered by the lowpass filter consisting of L5053, L5054, and C5053 - C5055 followed by matching transformer T5052 which has a level of approximately 15dBm.

The mixer IF output signal from transformer T5501, pin 2 is fed to the first two-pole crystal filter (FL3101). The filter output in turn is matched to IF amplifier Q3101 which is actively biased using collector-base feedback resistors R3101 and R3106 to provide a current drain of approximately 5 mA drawn from the 5 volt supply. The output impedance of this device is matched to the second two-pole crystal filter FL3102. The signal is further amplified by a preamplifier Q3102 before going to pin 1 of IFIC (U3101).

A dual, hot carrier diode (D3101) limits the filter output voltage swing to reduce overdrive effects at RF input levels above -27 dBm.

2.4 Low Intermediate Frequency (IF) and Receiver Back End

The 44.85 MHz first IF signal from the second IF amplifier feeds the IF IC (U3101) at pin1. Within the IF IC the 44.85 MHz high IF signal mixes with the 44.395 MHz second local oscillator to produce a low IF signal of 455 kHz. The second LO frequency is determined by crystal Y3101. The second IF signal is amplified and filtered by an external pair of 455 kHz ceramic filters (FL3112 and FL3114) for 20/25 kHz channel spacing, or FL3111 and FL3113/F3115 for 12.5 kHz channel spacing. These pairs are selectable via BWSELECT. The filtered output from the ceramic filters is applied to the limiter input pin of the IF IC (pin 14).

The IF IC contains a quadrature detector using a ceramic phase-shift element (Y3102) to provide audio detection. Internal amplification provides an audio output level of 120 mV rms (at 60% deviation) from U3103, pin 8 (DISCAUDIO) which is fed to ASFIC_CMP U0221, pin 2 (part of the controller circuits).

A received signal strength indicator (RSSI) signal is available at U3101, pin 5, which has a dynamic range of 70 dB. The RSSI signal is interpreted by the μ P (U0101, pin 63) and is available at accessory connector J0501-15.

3.0 UHF (450-520 MHz) Transmitter Power Amplifier (PA) 40W

The radio's 40W PA is a three stage amplifier used to amplify the output from the VCOBIC to the radio transmit level. All three stages utilize LDMOS technology. The gain of the first stage (U5401) is adjustable, controlled by pin 4 of PCIC (U5501). It is followed by an LDMOS stage (Q5421) and LDMOS final stage (Q5441).

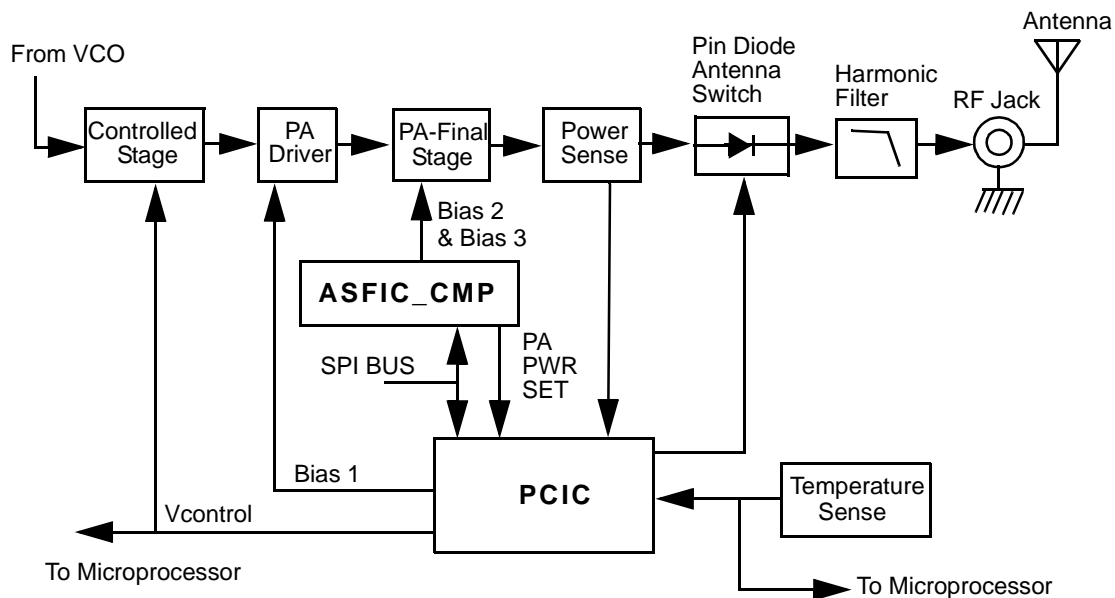


Figure 2-2 UHF Transmitter Block Diagram

Devices U5401, Q5421 and Q5441 are surface mounted. A pressure pad between board and the radio's cover provides good thermal contact between the devices and the chassis.

3.1 First Power Controlled Stage

The first stage (U5401) is a 20dB gain integrated circuit containing two LDMOS FET amplifier stages. It amplifies the RF signal from the VCO (TXINJ). The output power of stage U5401 is controlled by a DC voltage applied to pin 1 from Q5473. The control voltage simultaneously varies the bias of two FET stages within U5401. This biasing point determines the overall gain of U5401 and therefore its output drive level to Q5421, which in turn controls the output power of the PA.

Switch S5440 is a pressure pad with a conductive strip which connects two conductive areas on the board when the radio's cover is properly screwed to the chassis. When the cover is removed, S5440 opens and cuts the supply voltage to Q5473 thus disabling control voltage to U5401. This prevents transmitter key up while the devices do not have proper thermal contact to the chassis.

3.2 Power Controlled Driver Stage

The next stage is an LDMOS device (Q5421) providing a gain of 12dB. This device requires a positive gate bias and a quiescent current flow for proper operation. The bias is set during transmit mode by U5501-24 and fed to the gate of Q5421 via the resistive network R5480, R5408, R5415 and R5416.

3.3 Final Stage

The final stage is an LDMOS MRF1570 device Q5441. It provides a gain of 11dB. It integrates two MRF1535 die inside. These two die are being run in parallel. The output of each of the device (die) inside are combined to constitute the total output power. This device also requires a positive gate bias and a quiescent current flow for proper operation. The voltage of the line MOSBIAS_2 and MOSBIAS_3 are set in transmit mode by the ASFIC and fed to the gate of Q5441 via two resistive network R5631, R5634, R5485, R5486 and R5632, R5635, R5481, R5489. These bias voltages are tuned in the factory. If the transistor is replaced, the bias voltage must be tuned using the Global Tuner. Care must be taken not to damage the device by exceeding the maximum allowed bias voltage. The device's drain current is drawn directly from the radio's DC supply voltage input, PASUPVLTG, via L5421, L5437 and L5436, L5438.

A matching network consisting of C5440-45, C5466-67, C5476-77, C5487, C5491, C5455-56, C5449-50, C5465, C5468 and striplines transforms the impedance to 50 ohms and feeds the directional coupler.

3.4 Directional Coupler

The directional coupler is a microstrip printed circuit, which couples a small amount of the forward power delivered by Q5441. The coupled signal is rectified by D5451. The DC voltage is proportional to the RF output power and feeds the RFIN port of the PCIC (U5501 pin 1). The PCIC controls the gain of stage U5401 as necessary to hold this voltage constant, thus ensuring the forward power out of the radio to be held to a constant value.

3.5 Antenna Switch

The antenna switch consists of two PIN diodes, D5471 and D5472. In the receive mode, both diodes are off. Signals applied at the antenna jack J5401 are routed, via the harmonic filter, through network L5472, C5474 and C5475, to the receiver input. In the transmit mode, K9V1 turns on Q5471 which enables current sink Q5472, set to 96 mA by R5512 and VR5471. This completes a DC path from PASUPVLTG, through L5437, D5471, L5472, D5472, L5473, R5496 and the current sink to ground. Both diodes are forward biased into conduction. The transmitter RF from the directional coupler is routed via D5471 to the harmonic filter and antenna jack. D5472 also conducts, shunting RF power and preventing it from reaching the receiver port (RXIN). L5472 is selected to appear as a broadband $\lambda/4$ wave transmission line, making the short circuit presented by D5472 appear as an open circuit at the junction of D5472 and the receiver path.

3.6 Harmonic Filter

Components L5491-L5493 and L5472, C5448, C5494, C5496 and C5498 form a Butterworth low-pass filter to attenuate harmonic energy of the transmitter to specifications level. R5491 is used to drain electrostatic charge that might otherwise build up on the antenna. The harmonic filter also prevents high level RF signals above the receiver passband from reaching the receiver circuits, improving spurious response rejection.

3.7 Power Control

The transmitter uses the power control IC (PCIC, U5501) to control the power output of the radio. A portion of the forward RF power from the transmitter is sampled by the bi-directional coupler and rectified to provide a dc voltage to the RFIN port of the PCIC (pin 1) that is proportional to the sampled RF power.

The ASFIC (U0221) has internal digital to analog converters (DACs) which provide a reference voltage of the control loop to the PCIC via R5483. The reference voltage level is programmable through the SPI line of the PCIC. This reference voltage is proportional to the desired power setting of the transmitter, and is factory programmed at several points across the frequency range of the transmitter to offset frequency response variations of the transmitter's power detector circuit.

The PCIC provides a DC output voltage at pin 4 (INT) which sets the drain current of the first (U5401). This adjusts the transmitter power output to the intended value. Variations in forward transmitter power cause the DC voltage at pin 1 to change, and the PCIC adjusts the control voltage above or below its nominal value to raise or lower output power.

Capacitors C5502-4, in conjunction with resistors and integrators within the PCIC, control the transmitter power rise (key-up) and power decay (de-key) characteristic to minimize splatter into adjacent channels.

U5502 is a temperature-sensing device, which monitors the circuit board temperature in the vicinity of the transmitter driver and final devices, and provides a DC voltage to the PCIC (TEMP, pin 30) proportional to temperature. If the DC voltage produced exceeds the set threshold in the PCIC, the transmitter output power will be reduced so as to decrease the transmitter temperature.

4.0 UHF (450-520 MHz) Frequency Synthesis

The synthesizer subsystem shown in Figure 2-3, consists of the reference oscillator (Y5261 or Y5262), the Low Voltage Fractional-N synthesizer (LVFRAC-N, U5201), and the Voltage Controlled Oscillator (VCO).

4.1 Reference Oscillator

The reference oscillator (Y5262) contains a temperature compensated crystal oscillator with a frequency of 16.8 MHz. An Analog-to-Digital (A/D) converter internal to U5201 (LVFRAC-N) and controlled by the μ P via serial interface (SRL) sets the voltage at the warp output of U5201, pin 25 to set the frequency of the oscillator. The output of the oscillator (Y5262, pin 3) is applied to pin 23 (XTAL1) of U5201 via an RC series combination.

In applications where less frequency stability is required, the oscillator inside U5201 is used along with external crystal Y5261, varactor diode D5261, C5261, C5262, and R5262. In this case, Y5262, R5263, C5235 and C5251 are not used. When Y5262 is used, Y5261, D5261, C5261, C5262 and R5262 are not used, and C5263 is increased to 0.1 μ F.

4.2 Fractional-N Synthesizer

The LVFRAC-N synthesizer IC (U5201) consists of a pre-scaler, programmable loop divider, control divider logic, phase detector, charge pump, A/D converter for low frequency digital modulation, balanced attenuator used to balance the high frequency analog modulation and low frequency digital modulation, 13V positive voltage multiplier, serial interface for control, and a super filter for the regulated 5 volts.

A voltage of 5V applied to the super filter input (U5201, pin 30) supplies an output voltage of 4.5 Vdc (VSF) at pin 28. It supplies the VCO, VCO modulation bias circuit (via R5322), and synthesizer charge pump resistor network (R5251, R5252). The synthesizer supply voltage is provided by 5V regulator, U5211.

To generate a high voltage to supply the phase detector (charge pump) output stage at pin VCP (U5701-32), a voltage of 13 Vdc is generated by the positive voltage multiplier circuit (D5201, C5202, and C5203). This voltage multiplier is basically a diode capacitor network driven by two signals (1.05MHz) 180 degrees out of phase (U5201, pins 14 and 15).

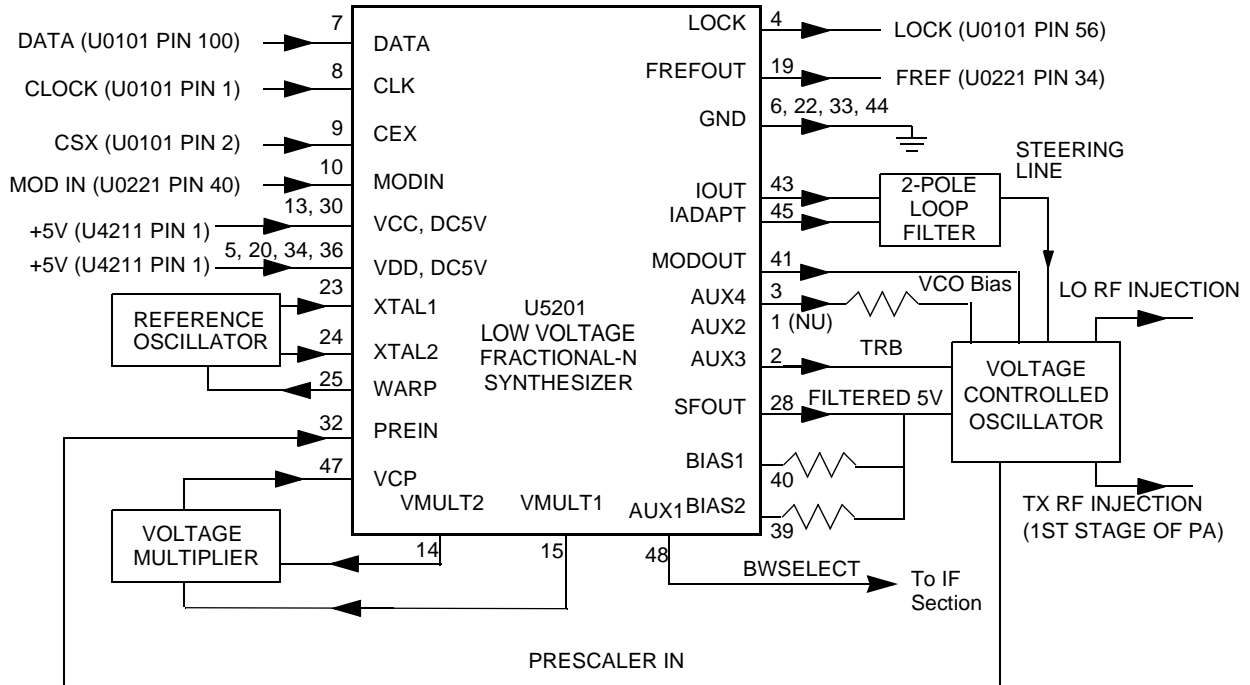


Figure 2-3 UHF Synthesizer Block Diagram

Output LOCK (U5201-4) provides information about the lock status of the synthesizer loop. A high level at this output indicates a stable loop. IC U5201 provides the 16.8 MHz reference frequency at pin 19.

The serial interface (SRL) is connected to the μ P via data line DATA (U5201-7), clock line CLK (U5201-8), and chip enable line CSX (U5201-9).

4.3 Voltage Controlled Oscillator (VCO)

The voltage controlled oscillator (VCO), shown in Figure 2-4, consists of a VCO buffer IC (VCOBIC, U5301), TX and RX tank circuits, external RX buffer stages, and modulation circuits.

The VCOBIC together with Fractional-N synthesizer (U5201) generates the required frequencies in both transmit and receive modes. The TRB line (U5301, pin 19) determines which tank circuits and internal buffers are to be enabled. A high level on TRB enables TX tank and TX output (pin 10), and a low enables RX tank and RX output (pin 8). A sample of the signal from the enabled output is routed from U5301, pin 12 (PRESC_OUT), via a low pass filter of U5201, pin 32 (PREIN).

A steering line voltage (VCTRL) between 3.0V and 10.0V at varactor diode CR5311 tunes the full TX frequency range (TXINJ) from 450 MHz to 520 MHz, and at varactor diodes CR5301, CR5302, and CR5303 tunes the full RX frequency range (RXINJ) from 405 MHz to 475 MHz. The tank circuits use the Hartley configuration for wider bandwidth. For the RX tank circuit, external transistor Q5301 is used in conjunction with the internal transistor for better side-band noise.

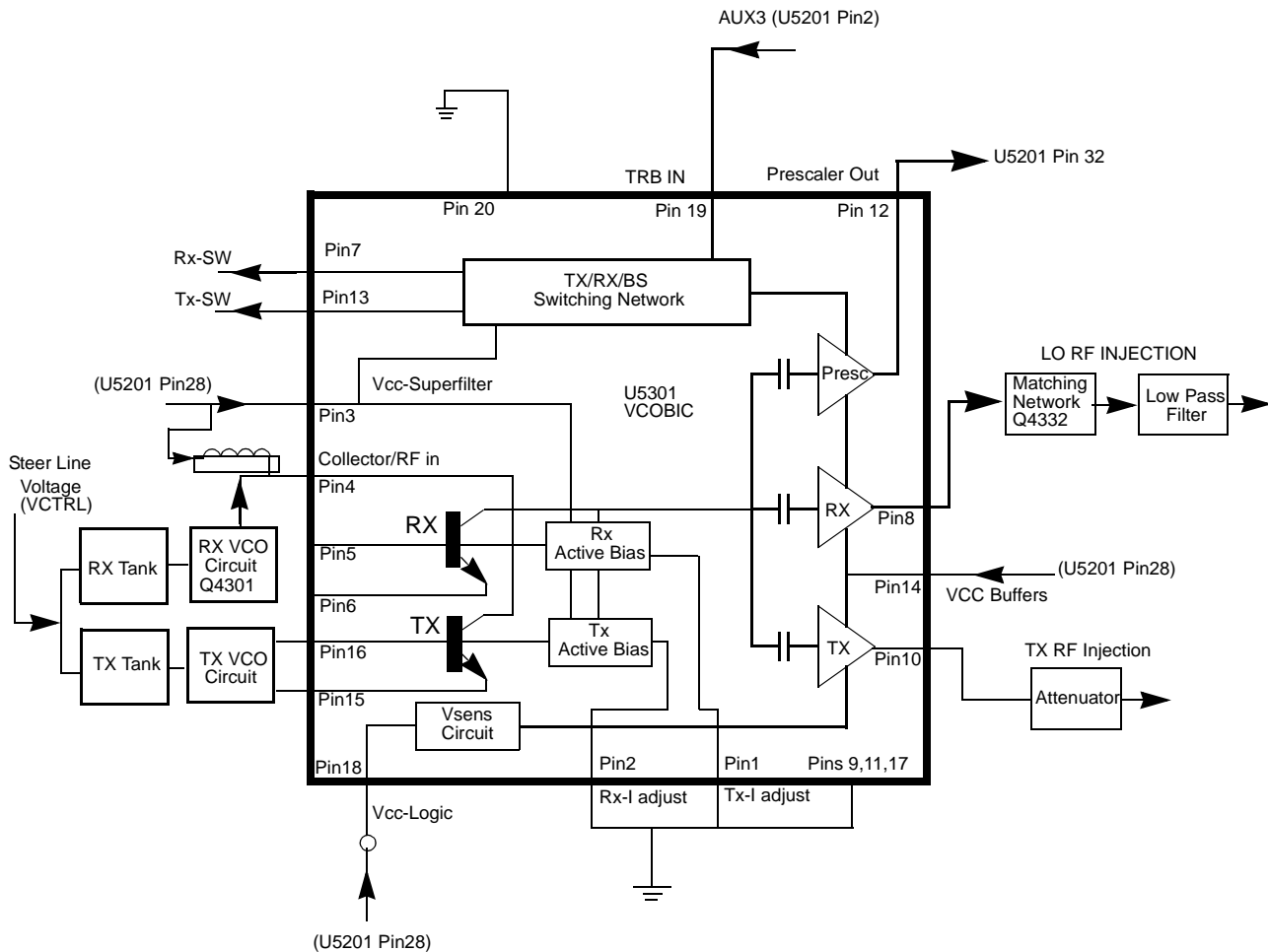


Figure 2-4 UHF VCO Block Diagram

The external RX buffers (Q5332) are enabled by a high at U5201, pin 3 (AUX4) via transistor switch Q5333. In TX mode, the modulation signal (VCOMOD) from the LVFRAC-N synthesizer IC (U5201, pin 41) is applied to the modulation circuits CR5321, R5321, R5322, and C5324. These modulate the TX VCO frequency via coupling capacitor C5321. Varactor CR5321 is biased for linearity from the VSF.

4.4 Synthesizer Operation

The synthesizer consists of a low voltage FRAC-N (LVFRACN) IC, reference oscillator (crystal oscillator with temperature compensation), charge pump circuits, loop filter circuits, and dc supply. The output signal (PRESC_OUT) of the VCOBIC (U5301, pin12) is fed to of U5201, pin 32 (PREIN) via a low pass filter (C5229,L5225,and C5226) which attenuates harmonics and provides correct level to close the synthesizer loop.

The pre-scaler in the synthesizer (U5201) is a dual modulus pre-scaler with selectable divider ratios. The divider ratio of the pre-scaler is controlled by the loop divider, which in turn receives its inputs via the SRL. The output of the pre-scaler is applied to the loop divider. The output of the loop divider is connected to the phase detector, which compares the loop divider's output signal with the reference signal. The reference signal is generated by dividing down the signal of the reference oscillator (Y5261 or Y5262).

The output signal of the phase detector is a pulsed dc signal routed to the charge pump. The charge pump outputs a current at U5201, pin 43 (IOUT). The loop filter (consisting of R5221-R5223, C5221-C5225, and L5221) transforms this current into a voltage that is applied to varactor diodes CR5311 for transmit, CR5301, CR5302 and CR5303 for receive and alters the output frequency of the VCO. The current can be set to a value fixed in the LVFRAC-N IC or to a value determined by the currents flowing into BIAS 1 (U5201-40) or BIAS 2 (U5201-39). The currents are set by the value of R5251 or R5252 respectively. The selection of the three different bias sources is done by software programming.

To reduce synthesizer lock time, when new frequency data has been loaded into the synthesizer, the magnitude of the loop current is increased by enabling the IADAPT (U5201-45) for a certain software programmable time (Adapt Mode). The adapt mode timer is started by a low to high transition of the CSX line. When the synthesizer is within the lock range, the current is determined only by the resistors connected to BIAS 1, BIAS 2, or the internal current source. A settled synthesizer loop is indicated by a high level of signal LOCK (U5201-4) which is routed to one of the μ P's ADCs input U101-56. From the voltage the μ P determines whether LOCK is active.

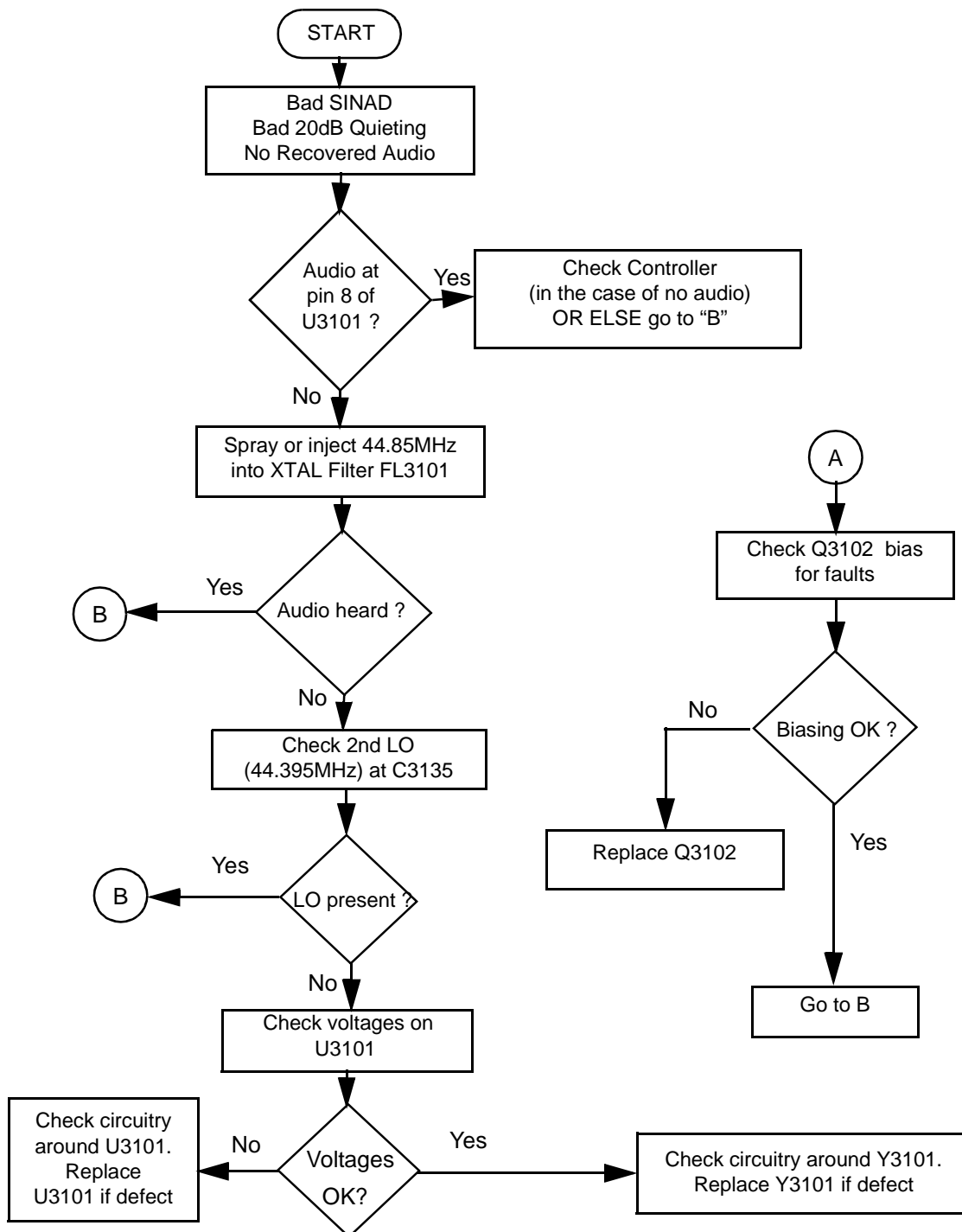
To modulate the PLL, the two-spot modulation method is utilized via pin 10 (MODIN) on U5201. The audio signal is applied to both the A/D converter (low frequency path) and the balanced attenuator (high frequency path). The A/D converter converts the low frequency analog modulating signal into a digital code which is applied to the loop divider, thereby causing the carrier to deviate. The balance attenuator is used to adjust the VCO's deviation sensitivity to high frequency modulating signals. The output of the balance attenuator is present at the MODOUT port (U5201-41) and connected to the VCO modulation diode CR5321 via R5321 and C5325.

THIS PAGE INTENTIONALLY LEFT BLANK

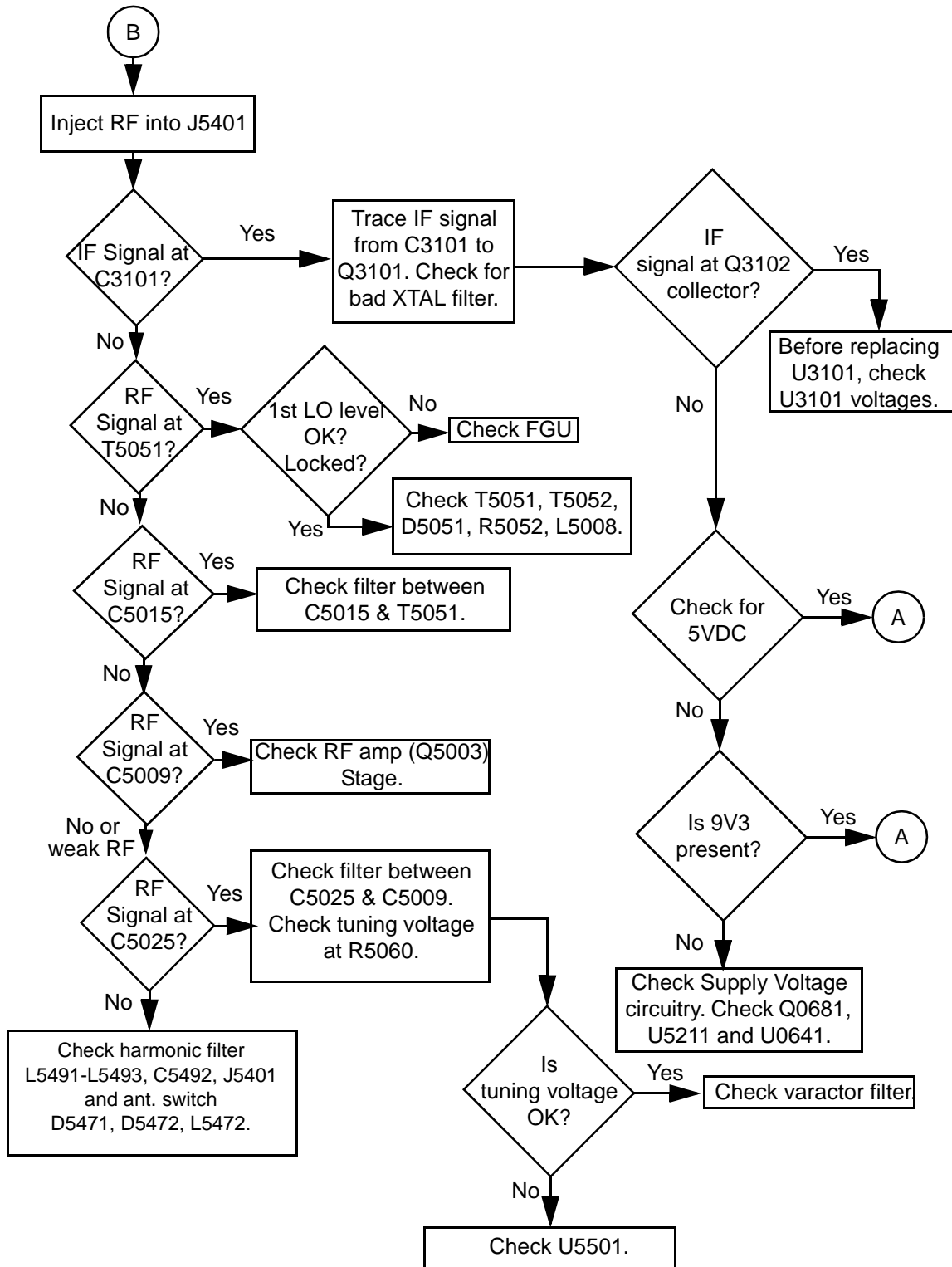
Section 3

TROUBLESHOOTING CHARTS

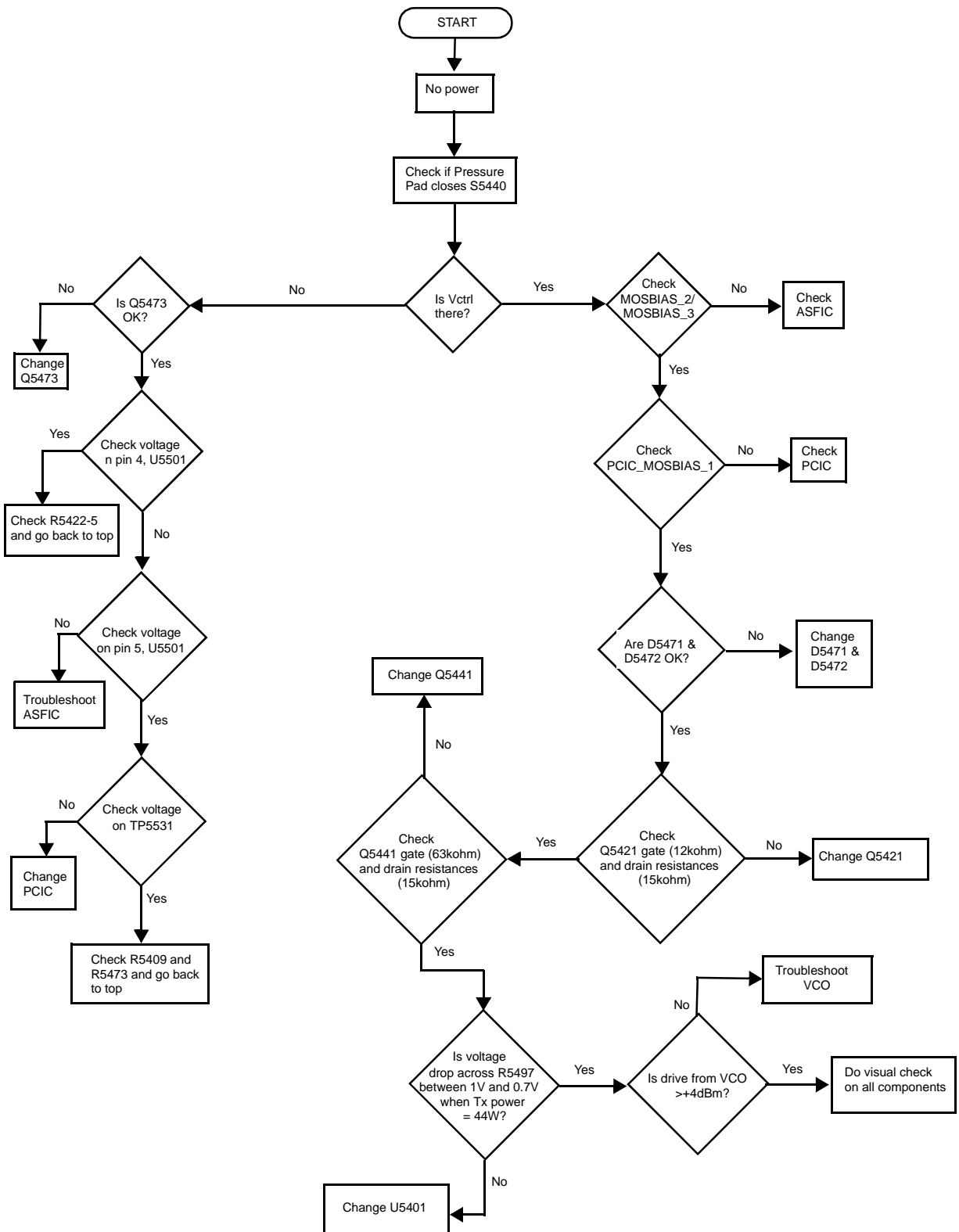
1.0 Troubleshooting Flow Chart for Receiver (Sheet 1 of 2)



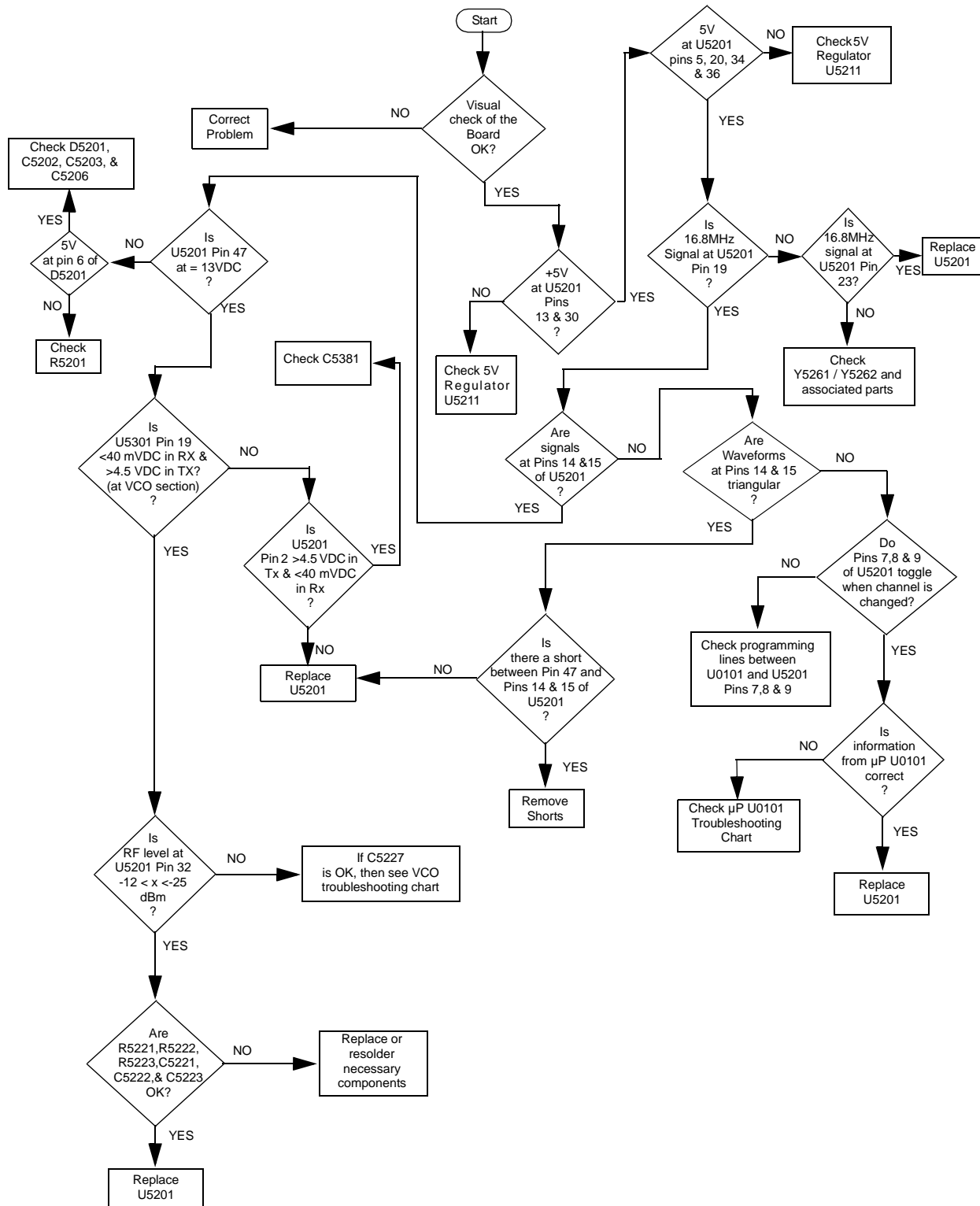
1.1 Troubleshooting Flow Chart for Receiver (Sheet 2 of 2)



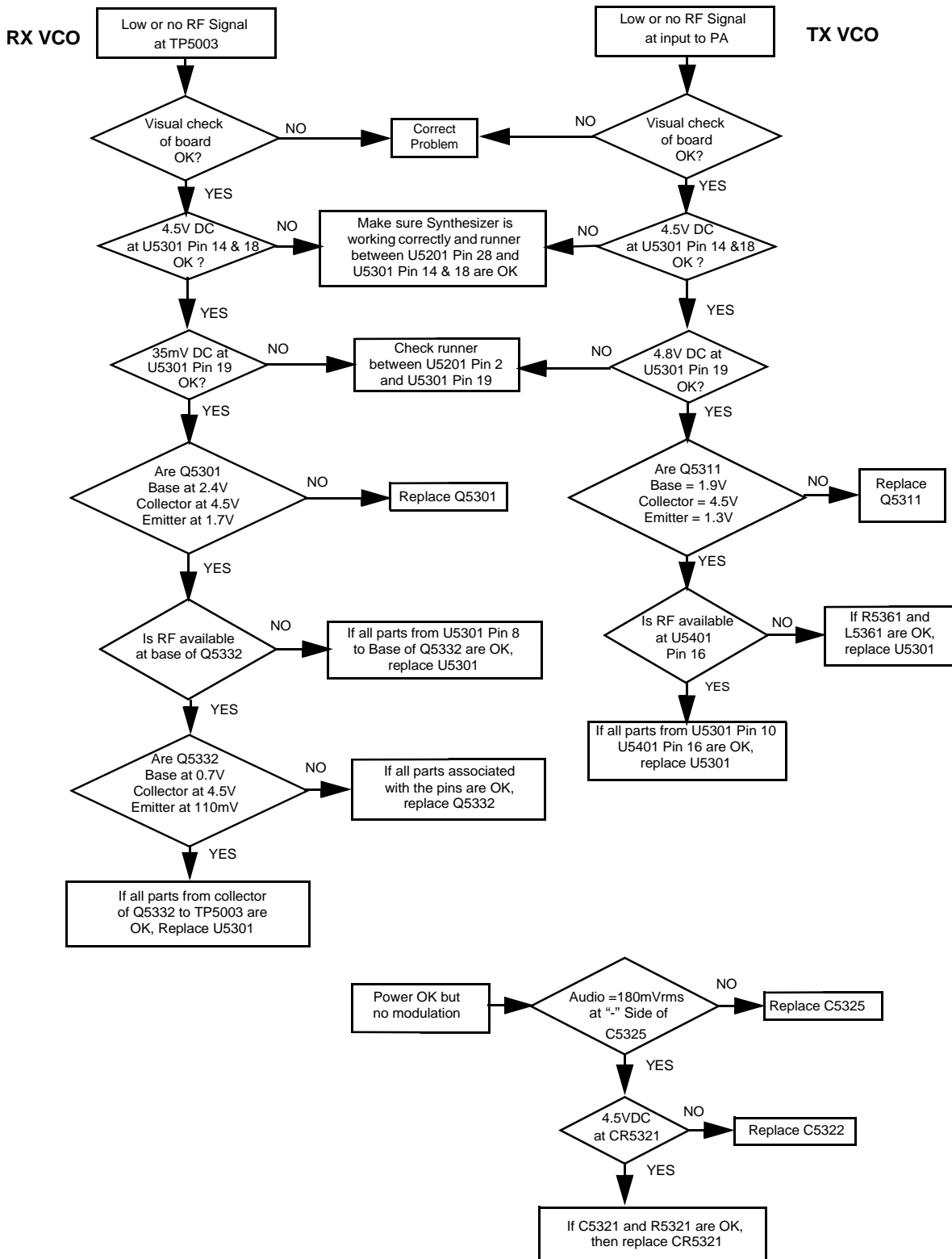
2.0 Troubleshooting Flow Chart for 40W Transmitter



3.0 Troubleshooting Flow Chart for Synthesizer



4.0 Troubleshooting Flow Chart for VCO



THIS PAGE INTENTIONALLY LEFT BLANK

Section 4

UHF PCB/SCHEMATICS/PARTS LISTS

1.0 Allocation of Schematics and Circuit Boards

1.1 Controller Circuits

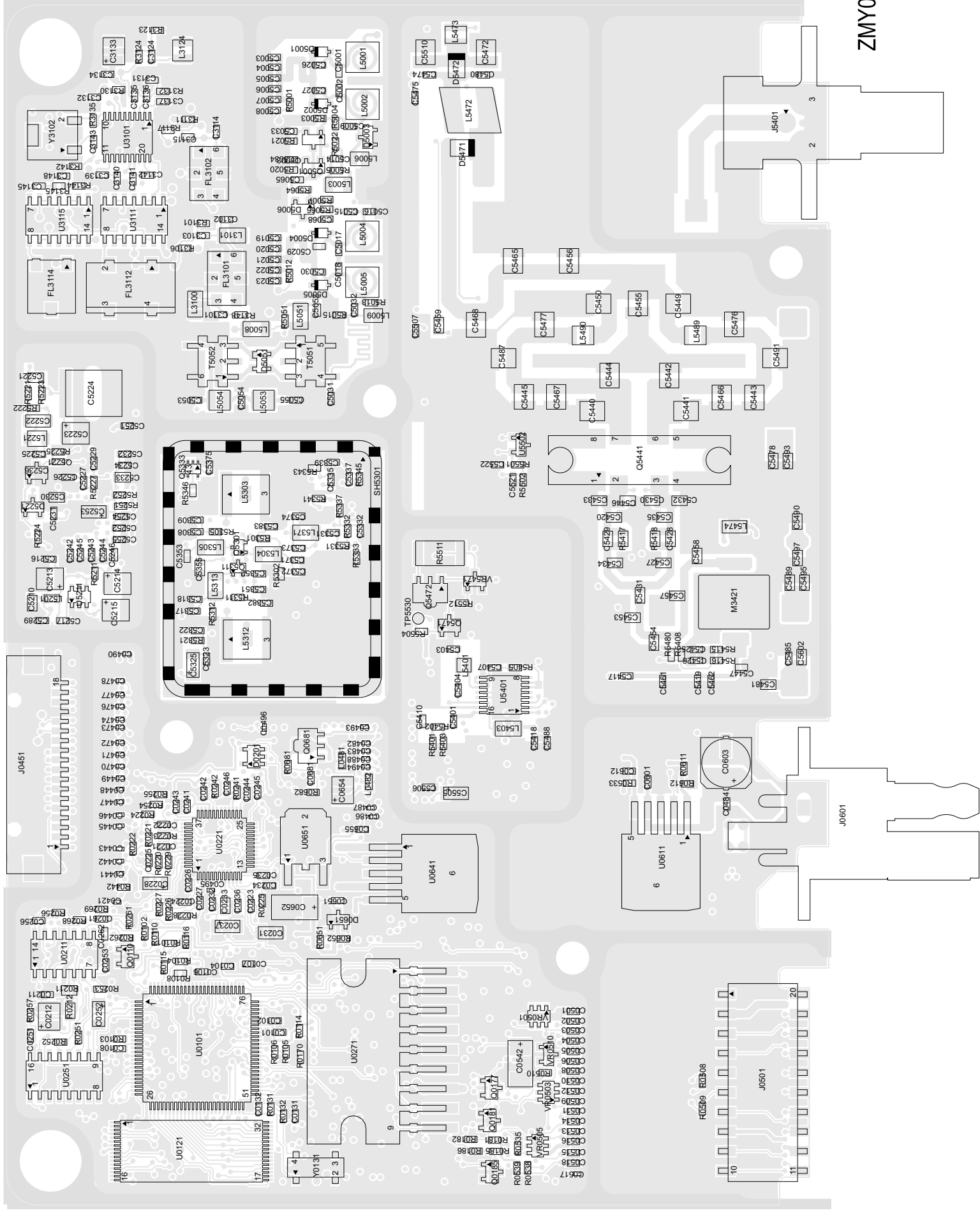
The UHF circuits are contained on the Printed Circuit Board (PCB) which also contains the Controller circuits. This Chapter shows the schematics for the UHF circuits only, refer to the Controller section for details of the related Controller circuits . The PCB component layouts and the Parts Lists in this Chapter show both the Controller and UHF circuit components. The UHF schematics and the related PCB and parts list are shown in the tables below.

Table 4-1 UHF B2 40W Diagrams and Parts Lists

PCB : 8486250Z02 Main Board Top Side 8486250Z02 Main Board Bottom Side	Page 4-3 Page 4-4
SCHEMATICS Power Amplifier 40W FRACN Voltage Controlled Oscillator Receiver Front End IF	Page 4-5 Page 4-6 Page 4-7 Page 4-8 Page 4-9
Parts List 8486250Z02	Page 4-10

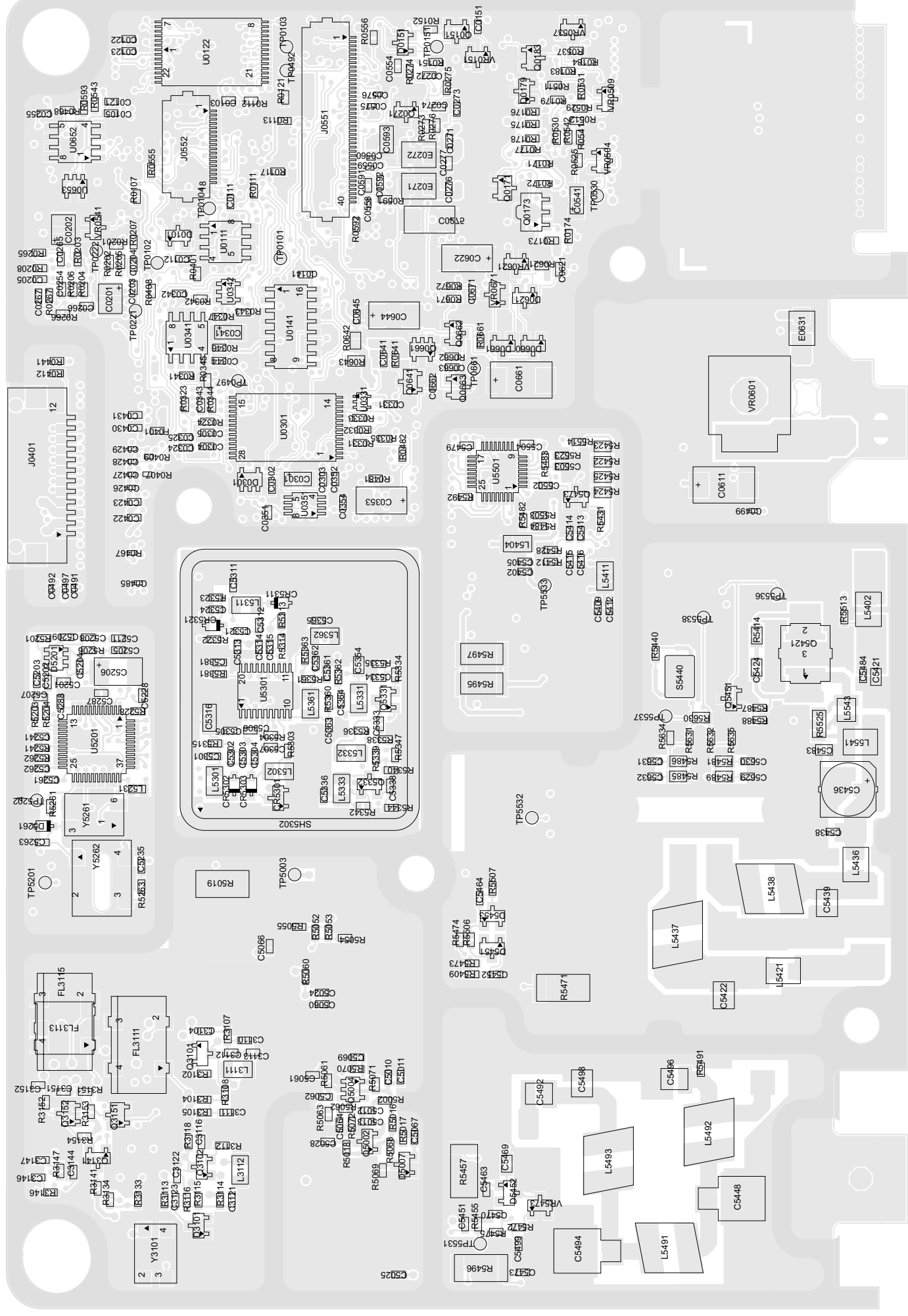
THIS PAGE INTENTIONALLY LEFT BLANK

2.0 UHF Band 2 25-40W PCB / Schematics / Parts List



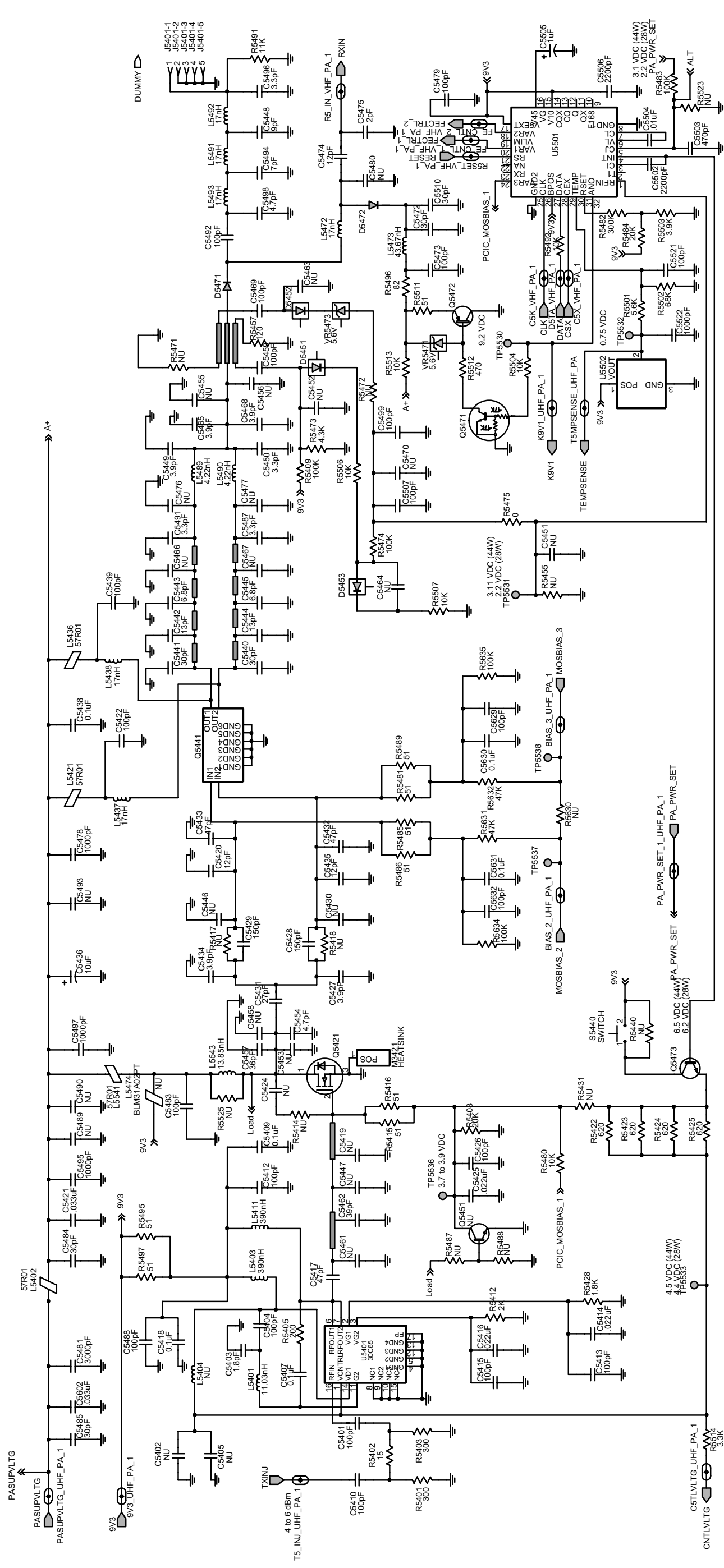
ZMY0131036-O

UHF Band 2 (450-520 MHz) 40W 8486250Z02 Top Side



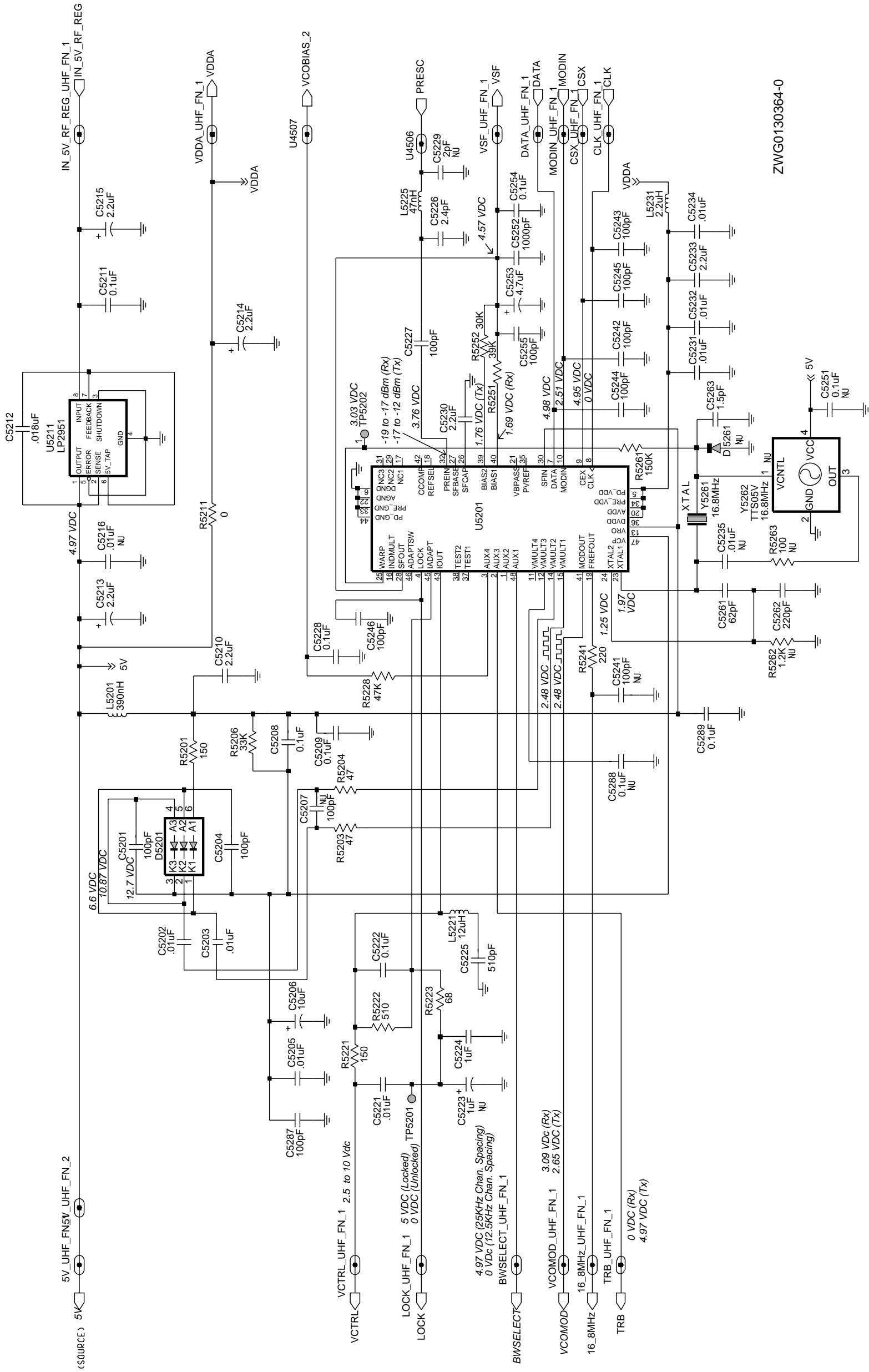
ZMY0131037-0

UHF Band 2 (450-520 MHz) 40W 8486250Z02 Bottom Side



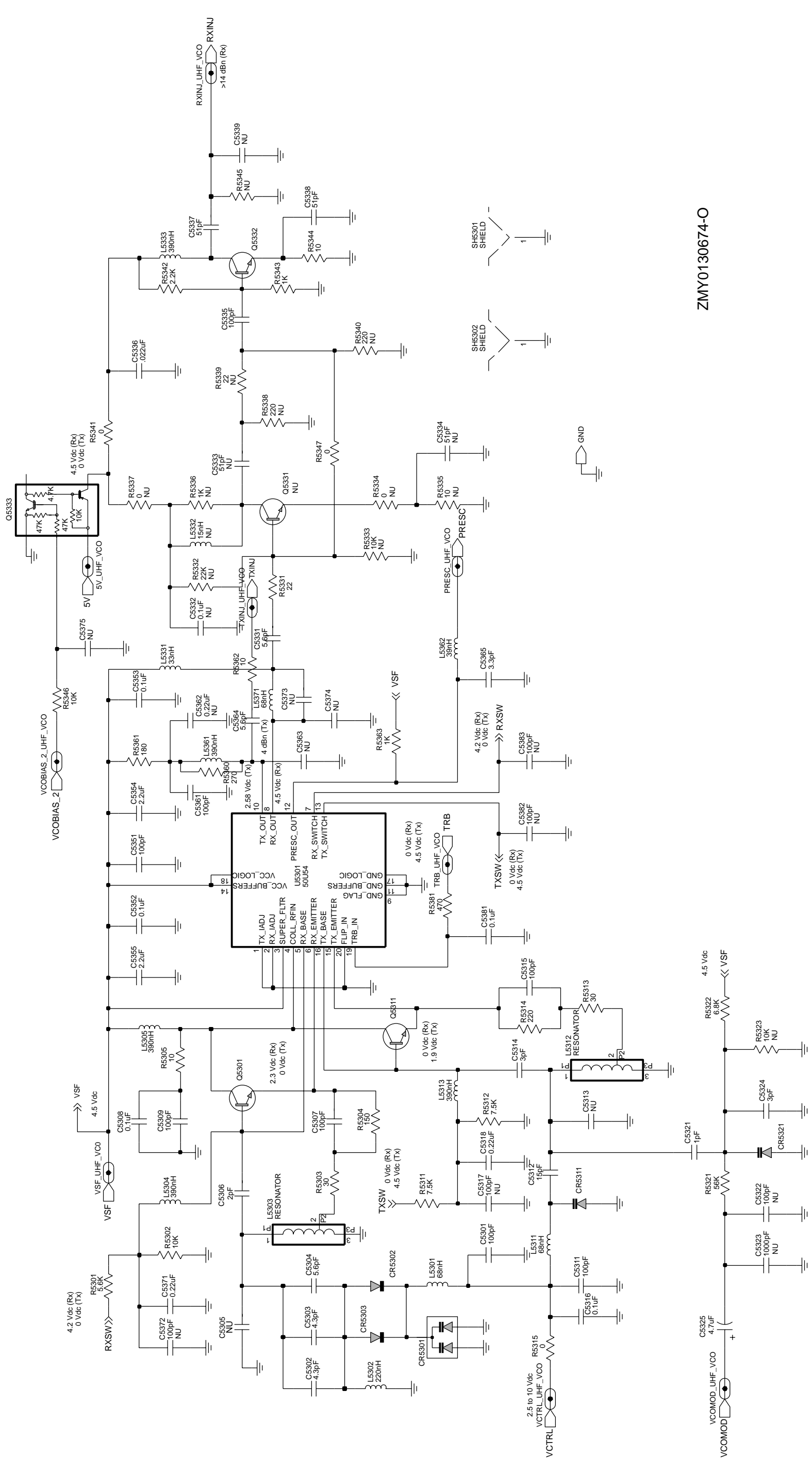
ZMY0131038-O

UHF Band 2 (450-520 MHz) Power Amplifier 40W



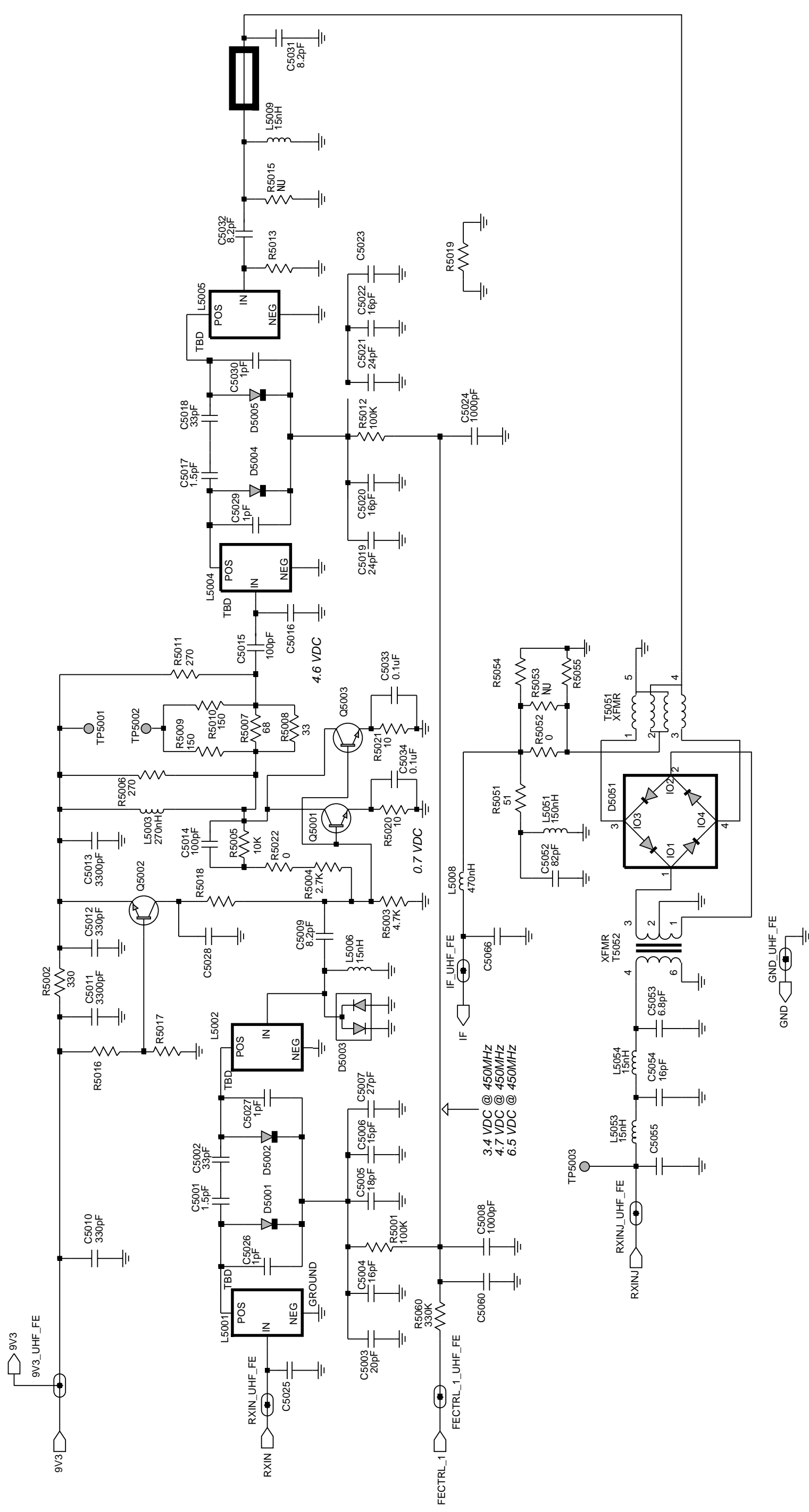
ZWG0130364-0

HF Band 2 (450-520 MHz) FRACN

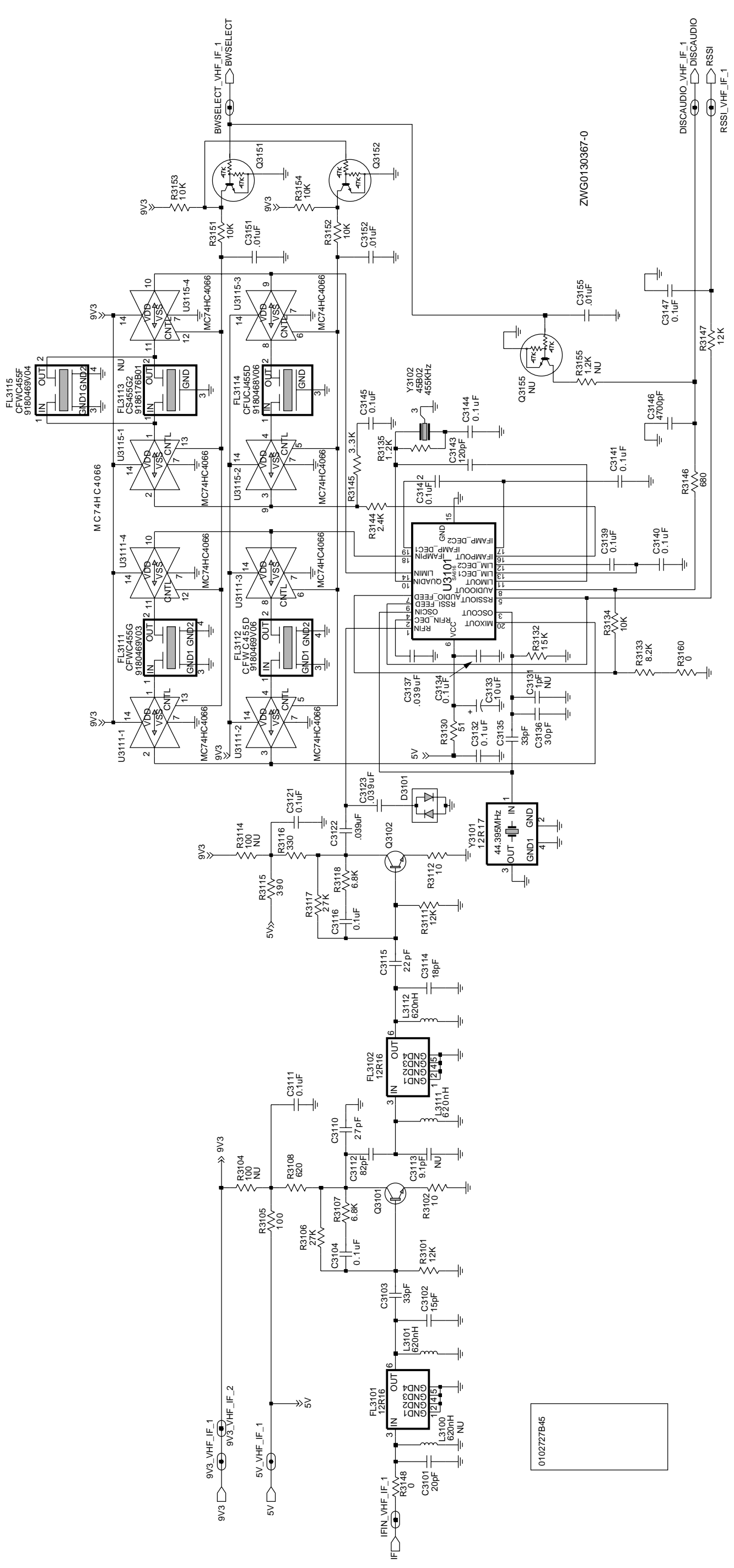


ZMY0130674-O

UHF Band 2 (450-520 MHz) Voltage Controlled Oscillator



UHF Band 2 (450-520 MHz) Receiver Front End



UHF Band 2 (450-520 MHz) IF

0102727B45

UHF Band 2 PCB 8486250Z02 Parts List 25-40W

Circuit Ref	Motorola Part No.	Description
C0101	2113740F51	100pF
C0107	2113741F25	1000pF
C0112	2113743E20	0.1uF
C0121	2113743E20	0.1uF
C0122	2113743E20	0.1uF
C0131	2113740F35	22pF
C0132	2113740F35	22pF
C0141	2113743E20	0.1uF
C0151	2113741F49	10nF
C0201	2311049A57	10uF
C0202	2311049A57	10uF
C0204	2113743E20	0.1uF
C0212	2311049A57	10uF
C0221	2113743E20	0.1uF
C0222	2113743E20	0.1uF
C0223	2113743E20	0.1uF
C0224	2113740F51	100pF
C0225	2113743E20	0.1uF
C0226	2113743E20	0.1uF
C0228	2311049A56	4.7uF
C0231	2113743B29	1uF
C0232	2113743E20	0.1uF
C0234	2113743E20	0.1uF
C0235	2113743E07	0.022uF
C0236	2113743E10	0.033uF
C0241	2113743E20	0.1uF
C0243	2113740F51	100pF
C0244	2113743E20	0.1uF
C0245	2113743E20	0.1uF
C0246	2113741F49	10nF
C0251	2113743E20	0.1uF
C0252	2311049A07	1uF
C0254	2113743E20	0.1uF
C0255	2113743E20	0.1uF
C0256	2113740F51	100pF
C0261	2113743E20	0.1uF
C0262	2113740F49	82pF
C0265	2113743E20	0.1uF
C0267	2113741F49	10nF
C0271	2113741F49	10nF
C0272	2113743E20	0.1uF
C0273	2113741F37	3300pF
C0275	2311049A99	47uF
C0276	2113741F25	1000pF
C0277	2113741F25	1000pF
C0301	2311049A07	1uF
C0302	2113743E20	0.1uF
C0303	2113740F51	100pF
C0304	2113743E20	0.1uF

Circuit Ref	Motorola Part No.	Description
C0501	2113741F49	10nF
C0502	2113741F17	470pF
C0503	2113741F17	470pF
C0504	2113741F17	470pF
C0505	2113741F17	470pF
C0506	2113741F17	470pF
C0508	2113741F17	470pF
C0509	2113741F17	470pF
C0510	2113741F17	470pF
C0511	2113741F17	470pF
C0512	2113741F17	470pF
C0513	2113741F17	470pF
C0514	2113741F17	470pF
C0515	2113741F17	470pF
C0516	2113741F49	10nF
C0517	2113743N48	82pF
C0518	2113741F17	470pF
C0541	2311049A05	0.47uF
C0542	2311049A99	47uF
C0560	2113743L17	1000pF
C0591	2113743E20	0.1uF
C0592	2113743E20	0.1uF
C0593	2113741B69	0.1uF
C0601	2113741F17	470pF
C0603	2380090M24	10uF
C0611	2311049C06	22uF
C0612	2113743E20	0.1uF
C0622	2311049A99	47uF
C0641	2113741F17	470pF
C0644	2311049A97	33uF
C0645	2113743E20	0.1uF
C0652	2311049A97	33uF
C0654	2311049A57	10uF
C0655	2113743E20	0.1uF
C0661	2311049C05	47uF
C0662	2113741F49	10nF
C0663	2113743E20	0.1uF
C0671	2113743E20	0.1uF
C0681	2113743E20	0.1uF
C3101	2113740F34	20pF
C3102	2113740F31	15pF
C3103	2113740F39	33pF
C3104	2113743E20	0.1uF
C3110	2113740F37	27pF
C3111	2113743E20	0.1uF
C3112	2113740F49	82pF
C3114	2113740F33	18pF
C3115	2113740F35	22pF
C3116	2113743E20	0.1uF
C3121	2113743E20	0.1uF
C3122	2113743E11	0.039uF

Circuit Ref	Motorola Part No.	Description
C3123	2113743E11	0.039uF
C3124	2113740L30	33pF
C3132	2113743E20	0.1uF
C3133	2311049A57	10uF
C3134	2113743E20	0.1uF
C3135	2113740L30	33pF
C3136	2113740F35	22pF
C3137	2113743E11	0.039uF
C3139	2113743E20	0.1uF
C3140	2113743E20	0.1uF
C3141	2113743E20	0.1uF
C3142	2113743E20	0.1uF
C3143	2113740F53	120pF
C3144	2113743E20	0.1uF
C3145	2113743E20	0.1uF
C3146	2113741F41	4700pF
C3147	2113743E20	0.1uF
C3151	2113741F49	10nF
C3152	2113741F49	10nF
C5001	2113740F07	1.5pF
C5002	2113740F39	33pF
C5003	2113740F35	22pF
C5004	2113740F32	16pF
C5005	2113740F32	16pF
C5006	2113740F32	16pF
C5007	2113740F32	16pF
C5008	2113741F25	1000pF
C5009	2113740F25	8.2pF
C5010	2113741F13	330pF
C5011	2113741F37	3300pF
C5012	2113741F13	330pF
C5013	2113741F37	3300pF
C5014	2113740F51	100pF
C5015	2113740F51	100pF
C5017	2113740F07	1.5pF
C5018	2113740F39	33pF
C5019	2113740F37	27pF
C5020	2113740F32	16pF
C5021	2113740F33	18pF
C5022	2113740F32	16pF
C5024	2113741F25	1000pF
C5026	2113740F03	1pF
C5027	2113740F03	1pF
C5028	2113741F49	10nF
C5029	2113740F03	1pF
C5030	2113740F03	1pF
C5031	2113740F25	8.2pF
C5032	2113740F25	8.2pF
C5033	2113740F51	100pF
C5034	2113740F51	100pF
C5052	2113740F49	82pF

Circuit Ref	Motorola Part No.	Description
C5053	2113740F23	6.8pF
C5054	2113740F32	16pF
C5061	2113740F63	330pF
C5062	2113743E20	0.1uF
C5064	2113743E20	0.1uF
C5065	2113740F51	100pF
C5067	2113741F37	3300pF
C5068	2113740F51	100pF
C5069	2113741F49	10nF
C5201	2113740F51	100pF
C5202	2113741F49	10nF
C5203	2113741F49	10nF
C5204	2113740F51	100pF
C5205	2113741F49	10nF
C5206	2311049J25	10uF
C5208	2113743E20	0.1uF
C5209	2113743E20	0.1uF
C5210	2104993J02	2.2uF
C5211	2113743E20	0.1uF
C5213	2311049A09	2.2uF
C5214	2311049A09	2.2uF
C5215	2311049A09	2.2uF
C5217	2113741F49	10nF
C5221	2109720D01	0.01uF
C5222	2109720D14	0.1uF
C5224	0882422W23	1uF
C5225	2113741F18	510pF
C5227	2113740F27	10pF
C5230	2104993J02	2.2uF
C5231	2113741F49	10nF
C5232	2113741F49	10nF
C5233	2104993J02	2.2uF
C5234	2113741F49	10nF
C5235	2113741F49	10nF
C5236	2113743E12	0.047uF
C5242	2113740F51	100pF
C5243	2113740F51	100pF
C5244	2113740F51	100pF
C5245	2113740F51	100pF
C5246	2113740F51	100pF
C5251	2113743E20	0.1uF
C5252	2113741F25	1000pF
C5253	2311049A56	4.7uF
C5254	2113743E20	0.1uF
C5255	2113740F51	100pF
C5263	2113743E20	0.1uF
C5287	2113740F51	100pF
C5289	2113743E20	0.1uF
C5301	2113740F51	100pF
C5302	2113740L09	4.3pF
C5303	2113740L09	4.3pF

Circuit Ref	Motorola Part No.	Description
C5304	2113740L12	5.6pF
C5306	2113740L01	2pF
C5307	2113740F51	100pF
C5308	2113743E20	0.1uF
C5309	2113740F51	100pF
C5311	2113740F51	100pF
C5312	2113740F33	18pF
C5314	2113740L01	2pF
C5315	2113740F51	100pF
C5316	2109720D14	0.1uF
C5318	2113743K16	0.22uF
C5321	2113740F03	1pF
C5324	2113740F07	1.5pF
C5325	2311049A56	4.7uF
C5331	2113740L12	5.6pF
C5335	2113740F51	100pF
C5336	2113743E07	0.022uF
C5337	2113740F44	51pF
C5338	2113740F44	51pF
C5351	2113740F51	100pF
C5352	2113743E20	0.1uF
C5353	2113743E20	0.1uF
C5354	2104993J02	2.2uF
C5355	2104993J02	2.2uF
C5361	2113740F51	100pF
C5364	0662057B47	0
C5371	2113743K16	0.22uF
C5381	2113743E20	0.1uF
C5401	2113740F51	100pF
C5404	2113740F51	100pF
C5407	2113743E20	0.1uF
C5409	2113743E20	0.1uF
C5410	2113740F51	100pF
C5412	2113740F51	100pF
C5413	2113740F51	100pF
C5414	2113743E07	0.022uF
C5415	2113740F51	100pF
C5416	2113743E07	0.022uF
C5417	2113740F43	47pF
C5418	2113743E20	0.1uF
C5420	2113740A36	20pF
C5421	2113741A57	0.033uF
C5422	2111078B42	100pF
C5425	2113743E07	0.022uF
C5426	2113740F51	100pF
C5427	2113740A23	6.2pF
C5428	2113740A55	100pF
C5429	2113740A55	100pF
C5431	2113740A39	27pF
C5432	2113740A41	33pF
C5433	2113740A41	33pF

Circuit Ref	Motorola Part No.	Description
C5434	2113740A23	6.2pF
C5435	2113740A36	20pF
C5436	2380090M24	10uF
C5438	2113743E20	0.1uF
C5439	2111078B42	100pF
C5440	2111078B29	33pF
C5441	2111078B29	33pF
C5447	2113740F42	43pF
C5448	2180464E62	9pF
C5449	2111078B03	3.9pF
C5450	2111078B01	3.3pF
C5457	2113740A42	36pF
C5458	2113740A18	4.3pF
C5459	2113740A55	100pF
C5466	2111078B09	6.8pF
C5467	2111078B09	6.8pF
C5469	2113740A55	100pF
C5472	2111078B27	30pF
C5473	2113740F51	100pF
C5474	2113740F18	4.3pF
C5475	2113740F10	2pF
C5478	2113741A21	1000pF
C5479	2113740F51	100pF
C5481	2113741A32	3000pF
C5483	2113740A55	100pF
C5484	2113740F38	30pF
C5485	2113740F38	30pF
C5488	2113740F51	100pF
C5492	2111078B42	100pF
C5494	2180464E60	7pF
C5495	2113741A21	1000pF
C5496	2111078B01	3.3pF
C5497	2113741A21	1000pF
C5498	2111078B01	3.3pF
C5499	2113740F51	100pF
C5502	2113741F33	2200pF
C5503	2113741F17	470pF
C5504	2113741F49	10nF
C5505	2311049A07	1uF
C5506	2113741F33	2200pF
C5507	2113740F51	100pF
C5510	2111078B27	30pF
C5602	2113741A57	0.033uF
C5629	2113740F51	100pF
C5630	2113743E20	0.1uF
C5631	2113743E20	0.1uF
C5632	2113740F51	100pF
CR5301	4805649Q13	DIODE VCTR ISV 228
CR5302	4862824C01	DIODE VARACTOR
CR5303	4862824C01	DIODE VARACTOR
CR5311	4862824C01	DIODE VARACTOR

Circuit Ref	Motorola Part No.	Description
CR5321	4802245J22	DIODE, VARACTOR
D0101	4813825A05	DIODE
D0151	4813833C02	DIODE, DUAL 70V
D0179	4813833C02	DIODE, DUAL 70V
D0301	4802245J47	DIODE, SCHOTTKY
D0621	4813833C02	DIODE, DUAL 70V
D0651	4813833C02	DIODE, DUAL 70V
D0660	4813833C02	DIODE, DUAL 70V
D0661	4813833C02	DIODE, DUAL 70V
D3101	4880154K03	DIODE DUAL SCHOTTKY
D5001	4862824C01	DIODE VARACTOR
D5002	4862824C01	DIODE VARACTOR
D5003	4880154K03	DIODE DUAL SCHOTTKY
D5004	4862824C01	DIODE VARACTOR
D5005	4862824C01	DIODE VARACTOR
D5006	4880142L01	DIODE
D5007	4813833C02	DIODE, DUAL 70V
D5051	4886143B01	DIODE, MIXER
D5201	4802233J09	DIODE, TRIPLE
D5221	4813825A05	DIODE
D5451	4813825A05	DIODE
D5452	4813825A05	DIODE
D5453	4813825A05	DIODE
D5471	4802482J02	DIODE, SMD PIN
D5472	4802482J02	DIODE, SMD PIN
E0271	2484657R01	FERRITE BEAD
E0272	2484657R01	FERRITE BEAD
E0631	2484657R01	FERRITE BEAD
F0401	6580542Z01	FUSE 3A
FL3101	9180112R16	2 POLE 44.85 MHZ CRYSTAL FILTER
FL3102	9180112R16	2 POLE 44.85 MHZ CRYSTAL FILTER
FL3111	9180469V03	CERAMIC FILTER, 455KHZ
FL3112	9180469V06	CERAMIC FILTER, 455KHZ
FL3114	9180468V06	CERAMIC FILTER, 455KHZ
FL3115	9180469V04	CERAMIC FILTER, 455KHZ
J0401	0902636Y02	FLEX CONNECTOR
J0451	0902636Y01	FLEX CONNECTOR
J0501	0986105B01	ACCESSORY CONNECTOR
J0551	0905505Y04	FLEX CONNECTOR
J0552	0905505Y03	FLEX CONNECTOR
J0601	0986165B01	DC POWER CONNECTOR
J5401	0986166B02	RF CONNECTOR (MINI UHF)
L3101	2462587T25	620nH
L3111	2462587T25	620nH
L3112	2462587T25	620nH
L3124	2462587N68	1uH
L5003	2462587T20	270nH
L5006	2462587V24	15nH
L5008	2462587T23	470nH

Circuit Ref	Motorola Part No.	Description
L5009	2462587V24	15nH
L5051	2462587T17	150nH
L5053	2462587N43	15nH
L5054	2462587N43	15nH
L5201	2462587Q42	390nH
L5221	2462587P25	12uH
L5231	2462587Q20	2.2uH
L5301	2462587T13	68nH
L5302	2462587T19	220nH
L5303	2460593C03	RESONATOR
L5304	2462587T22	390nH
L5305	2462587T22	390nH
L5311	2462587T22	390nH
L5312	2460593C03	RESONATOR
L5313	2462587T22	390nH
L5331	2462587T09	33nH
L5333	2462587T22	390nH
L5361	2462587T22	390nH
L5362	2462587T38	22nH
L5371	2462587T13	68nH
L5401	2460591B04	11.03nH
L5402	2484657R01	FERRITE BEAD
L5403	2462587T22	390nH
L5411	2462587T22	390nH
L5421	2484657R01	FERRITE BEAD
L5436	2484657R01	FERRITE BEAD
L5437	2460592A01	17nH
L5438	2460592A01	17nH
L5472	2460592A01	17nH
L5473	2460591N36	43.67nH
L5489	2460591A01	4.22nH
L5490	2460591A01	4.22nH
L5491	2460592A01	17nH
L5492	2460592A01	17nH
L5493	2460592A01	17nH
L5541	2484657R01	FERRITE BEAD
L5543	2460591A01	4.22nH
M3421	2686201B01	HEAT SPREADER
Q0110	4880048M01	NPN
Q0151	4880048M01	NPN
Q0171	4880048M01	NPN
Q0173	4880052M01	NPN DARLINGTON
Q0177	4880048M01	NPN
Q0181	4880048M01	NPN
Q0183	4880048M01	NPN
Q0185	4880048M01	NPN
Q0271	4880214G02	NPN
Q0641	4880048M01	NPN
Q0661	4805921T02	DUAL NPN/PNP
Q0662	4880214G02	NPN
Q0663	4880048M01	NPN
Q0681	4880052M01	NPN DARLINGTON
Q3101	4813827A07	NPN
Q3102	4813827A07	NPN
Q3141	4880214G02	NPN
Q3151	4880048M01	NPN
Q3152	4880048M01	NPN
Q5001	4813827A07	PNP
Q5002	4813824A17	PNP
Q5003	4813827A07	NPN
Q5004	4805921T02	DUAL NPN/PNP
Q5221	4880048M01	NPN
Q5301	4805218N63	DIODE DUAL SCHOTTKY
Q5311	4805218N63	DIODE DUAL SCHOTTKY
Q5332	4813827A07	NPN
Q5333	4802245J50	DUAL NPN/PNP
Q5421	4886212B01	POWER TRANSISTOR - MRF1518
Q5441	4813828C32	POWER TRANSISTOR - MRF1570
Q5471	4880048M01	NPN
Q5472	4805128M27	PNP
Q5473	4880214G02	NPN
R0101	0662057A73	10K
R0102	0662057A65	4.7K
R0103	0662057A01	10
R0104	0662057A73	10K
R0106	0662057B47	0
R0108	0662057A57	2.2K
R0111	0662057B47	0
R0113	0662057A73	10K
R0114	0662057A73	10K
R0115	0662057A73	10K
R0117	0662057A63	3.9K
R0121	0662057A97	100K
R0131	0662057B46	10M
R0132	0662057B10	330K
R0151	0662057A82	24K
R0152	0662057A82	24K
R0170	0662057A73	10K
R0171	0662057A65	4.7K
R0172	0662057A73	10K
R0173	0662057A65	4.7K
R0174	0662057A73	10K
R0175	0662057A73	10K
R0176	0662057A84	30K
R0177	0662057A65	4.7K
R0178	0662057A89	47K
R0179	0662057A89	47K
R0181	0662057A65	4.7K
R0182	0662057A89	47K
R0183	0662057A65	4.7K

Circuit Ref	Motorola Part No.	Description
R0184	0662057A89	47K
R0185	0662057A65	4.7K
R0186	0662057A89	47K
R0201	0662057A25	100
R0202	0662057A43	560
R0203	0662057A25	100
R0204	0662057A43	560
R0205	0662057A73	10K
R0206	0662057A73	10K
R0207	0662057A57	2.2K
R0208	0662057A57	2.2K
R0211	0660076E70	7.5K
R0212	0660076E70	7.5K
R0221	0662057A82	24K
R0222	0662057A82	24K
R0223	0662057A84	30K
R0224	0662057A71	8.2K
R0228	0662057B47	0
R0229	0662057A01	10
R0241	0662057A89	47K
R0242	0662057B47	0
R0251	0662057A89	47K
R0252	0662057A91	56K
R0253	0662057A97	100K
R0254	0662057A73	10K
R0255	0662057A73	10K
R0256	0662057A97	100K
R0257	0662057A57	2.2K
R0261	0662057A73	10K
R0262	0662057B08	270K
R0265	0662057A82	24K
R0267	0662057A89	47K
R0268	0662057A73	10K
R0269	0662057A41	470
R0273	0662057A82	24K
R0275	0662057A73	10K
R0276	0662057A77	15K
R0323	0662057A79	18K
R0324	0662057A79	18K
R0331	0662057A73	10K
R0332	0662057A73	10K
R0333	0662057A73	10K
R0335	0662057B02	150K
R0341	0662057A73	10K
R0342	0662057A55	1.8K
R0343	0662057B47	0
R0344	0662057A91	56K
R0345	0662057A66	5.1K
R0346	0662057A89	47K
R0347	0662057A89	47K
R0401	0662057A33	220

Circuit Ref	Motorola Part No.	Description
R0407	0662057M26	10
R0408	0662057A25	100
R0409	0662057M26	10
R0412	0662057B47	0
R0441	0662057B47	0
R0442	0662057A49	1K
R0467	0662057M26	10
R0468	0662057A97	100K
R0481	0662057B47	0
R0482	0662057B47	0
R0508	0662057A41	470
R0509	0662057B47	0
R0510	0662057A65	4.7K
R0511	0662057A97	100K
R0512	0662057A77	15K
R0525	0662057A97	100K
R0529	0662057A89	47K
R0530	0662057A81	22K
R0531	0662057A43	560
R0533	0662057B47	0
R0535	0662057A49	1K
R0537	0662057A33	220
R0538	0662057A33	220
R0539	0662057A65	4.7K
R0541	0662057A83	27K
R0543	0662057A97	100K
R0555	0662057A25	100
R0556	0662057A25	100
R0591	0662057A82	24K
R0592	0662057A01	10
R0593	0662057A97	100K
R0611	0662057A91	56K
R0612	0662057A65	4.7K
R0621	0662057A82	24K
R0641	0662057A73	10K
R0642	0660076E70	7.5K
R0643	0660076E51	1.2K
R0651	0662057A01	10
R0652	0662057A01	10
R0661	0662057A49	1K
R0662	0662057B02	150K
R0671	0662057A84	30K
R0672	0662057A73	10K
R0681	0662057A79	18K
R0682	0662057A93	68K
R3101	0662057A75	12K
R3102	0662057A01	10
R3105	0662057A25	100
R3106	0662057A83	27K
R3107	0662057A69	6.8K
R3108	0662057A44	620

Circuit Ref	Motorola Part No.	Description
R3111	0662057A75	12K
R3112	0662057A01	10
R3113	0662057A37	330
R3115	0662057A39	390
R3116	0662057A37	330
R3117	0662057A83	27K
R3118	0662057A69	6.8K
R3124	0662057A49	1K
R3130	0662057A18	51
R3132	0662057A77	15K
R3133	0662057A71	8.2K
R3134	0662057A73	10K
R3135	0662057A51	1.2K
R3141	0662057A39	390
R3142	0662057A55	1.8K
R3144	0662057A58	2.4K
R3145	0662057A61	3.3K
R3146	0662057A45	680
R3147	0662057A75	12K
R3148	0662057B47	0
R3151	0662057A73	10K
R3152	0662057A73	10K
R3153	0662057A73	10K
R3154	0662057A73	10K
R5001	0662057A97	100K
R5002	0662057A37	330
R5003	0662057A65	4.7K
R5004	0662057A59	2.7K
R5005	0662057A73	10K
R5007	0662057A25	100
R5012	0662057A97	100K
R5016	0662057A61	3.3K
R5018	0662057A61	3.3K
R5020	0662057A01	10
R5021	0662057A01	10
R5022	0662057B47	0
R5051	0662057A18	51
R5052	0662057B47	0
R5060	0662057B10	330K
R5061	0662057A73	10K
R5062	0662057A53	1.5K
R5063	0662057A39	390
R5064	0662057B47	0
R5068	0662057A53	1.5K
R5069	0662057A49	1K
R5070	0662057A39	390
R5071	0662057A73	10K
R5072	0662057A73	10K
R5201	0662057A29	150
R5203	0662057A17	47
R5204	0662057A17	47

Circuit Ref	Motorola Part No.	Description
R5211	0662057B47	0
R5221	0662057A29	150
R5222	0662057A42	510
R5223	0662057A21	68
R5224	0662057A89	47K
R5225	0662057A89	47K
R5228	0662057A89	47K
R5241	0662057A33	220
R5251	0662057A87	39K
R5252	0662057A84	30K
R5261	0662057A89	47K
R5263	0662057A25	100
R5301	0662057A67	5.6K
R5302	0662057A73	10K
R5303	0662057A12	30
R5304	0662057A29	150
R5305	0662057A01	10
R5311	0662057A70	7.5K
R5312	0662057A70	7.5K
R5313	0662057A12	30
R5314	0662057A33	220
R5315	0662057B47	0
R5321	0662057A91	56K
R5322	0662057A69	6.8K
R5323	0662057A97	100K
R5331	0662057A09	22
R5341	0662057B47	0
R5342	0662057A57	2.2K
R5343	0662057A49	1K
R5344	0662057A01	10
R5346	0662057A73	10K
R5347	0662057B47	0
R5361	0662057A31	180
R5362	0662057A01	10
R5363	0662057A49	1K
R5381	0662057A41	470
R5401	0662057A36	300
R5402	0662057A05	15
R5403	0662057A36	300
R5405	0662057A32	200
R5408	0662057A80	20K
R5409	0662057A97	100K
R5412	0662057A56	2K
R5415	0662057A18	51
R5416	0662057A18	51
R5422	0611079A69	620
R5423	0611079A69	620
R5424	0611079A69	620
R5425	0611079A69	620
R5428	0662057A55	1.8K
R5457	0683962T51	120

Circuit Ref	Motorola Part No.	Description
R5473	0662057A64	4.3K
R5474	0662057A97	100K
R5475	0662057B47	0
R5480	0662057A73	10K
R5481	0662057C44	51
R5482	0662057B09	300K
R5483	0662057A97	100K
R5484	0662057A90	51K
R5485	0662057C44	51
R5486	0662057C44	51
R5489	0662057C44	51
R5491	0662057A97	100K
R5492	0662057A73	10K
R5495	0680195M18	51
R5496	0680194M23	82
R5497	0680195M18	51
R5501	0662057A51	1.2K
R5502	0662057B05	200K
R5503	0662057A63	3.9K
R5504	0662057A73	10K
R5506	0662057A73	10K
R5507	0662057A73	10K
R5511	0680194M18	51
R5512	0662057A41	470
R5513	0662057A73	10K
R5514	0662057A61	3.3K
R5631	0662057A89	47K
R5632	0662057A89	47K
R5634	0662057A97	100K
R5635	0662057A97	100K
SH5301	2602641Y02	SHIELD
SH5302	2602641Y02	SHIELD
T5051	2505515V03	TRANSFORMER 4:1
T5052	2508397X02	TRANSFORMER 1:1
U0101	5102226J56	MICROPROCESSOR
U0111	5102463J64	EEPROM
U0121	5186137B01	IC, FLASH ROM
U0122	5185748L01	SRAM
U0141	5113805A30	REMUX
U0211	5183222M49	IC, QUAD OPAMP
U0221	5185130C53	IC, ASFIC
U0251	5184704M60	IC-CMOS ANALOG
U0271	5109699X01	AUDIO PA
U0301	5109152M01	EEPROM ANALOG
U0331	5186204B01	BUFFER / DRIVER
U0341	5113818A01	LINEAR IC OP AMP
U0342	5105750U28	IC CMOS SWITCH
U0351	5102463J40	REGULATOR, 3.3V
U0611	5183308X01	ADJUSTABLE VOLTAGE REG- ULATOR

Circuit Ref	Motorola Part No.	Description
U0641	5183308X01	ADJUSTABLE VOLTAGE REG- ULATOR
U0651	5113816A07	REGULATOR, 5V
U0652	5113815A02	UNDERVOLT SENSOR
U3101	5186144B01	IC, IF
U3111	5102463J52	QUAD ANALOG SWITCH
U3115	5102463J52	QUAD ANALOG SWITCH
U5201	5185963A27	IC FRACTN
U5211	5105739X05	IC, VOLTAGE REGULATOR
U5301	5105750U54	IC, VCO
U5401	5185130C65	IC LDMOS DRIVER
U5501	5185765B26	IC POWER CONTROL
U5502	5185963A15	IC TEMPERATURE SENSOR
VR0151	4813830A15	DIODE, 5.6V
VR0501	48056656W09	DIODE, ZENER
VR0503	48056656W09	DIODE, ZENER
VR0504	4813830A40	SOC23 AUTO SDN
VR0505	48056656W09	DIODE, ZENER
VR0509	4813830A40	DIODE, ZENER
VR0510	4813830A40	DIODE, ZENER
VR0537	4813830A15	DIODE, 5.6V
VR0541	4813830A27	DIODE, 14V
VR0601	4813832C77	DIODE
VR0621	4813830A15	DIODE, 5.6V
VR5471	4813830A15	DIODE, 5.6V
VR5473	4813830A15	DIODE, 5.6V
Y0131	4880113R19	CRYSTAL 38.4KHZ
Y3101	4802245J84	3rd OVERTONE XTAL 44.395 MHZ
Y3102	9186145B02	455KHz DISCRIMINATOR
Y5262	4886182B01	TCXO 16.8MHZ

* Motorola Depot Servicing only

Reference designators with an asterisk indicate components which are not field replaceable because they need to be calibrated with specialized factory equipment after installation. Radios in which these parts have been replaced in the field will be off frequency at temperature extremes.

THIS PAGE INTENTIONALLY LEFT BLANK

Technical Information Updates

As we continue to make engineering enhancements to our products, the information in our Service Manuals need to be updated accordingly. If you wish to be informed of these updates, kindly fill in and fax us your details.

Fax to: 6-04-6124944

**The Technical Publications Coordinator,
Media and Communications,
R&D Department,
Motorola Penang.**

Your Details

Name/Contact Person: _____

Company Name: _____

Address: _____

Telephone No.: _____

Fax No.: _____

Email Address: _____

How would you like to receive the update notification?

Through: mail email fax

Manual No.: 6804112J18

Kindly complete the Service Manual Feedback Form on the next page to help us ensure that you receive the most accurate and complete information.

Service Manual Feedback Form

We believe that reports from users provide valuable information for producing quality manuals. Kindly take a few moments to provide feedback on this manual. Thank you for your cooperation.

Fax to: 6-04-6124944

**The Technical Publications Coordinator,
Media and Communications,
R&D Department,
Motorola Penang.**

1. Please check all the appropriate boxes:

	Complete	Incomplete	Correct	Incorrect	Clear	Confusing	Size Adequate	Size Too Small	Not Covered in this Manual
Disassembly Procedures	<input type="checkbox"/>	<input type="checkbox"/>	<input type="checkbox"/>	<input type="checkbox"/>	<input type="checkbox"/>	<input type="checkbox"/>	<input type="checkbox"/>	<input type="checkbox"/>	<input type="checkbox"/>
Alignment Procedures	<input type="checkbox"/>	<input type="checkbox"/>	<input type="checkbox"/>	<input type="checkbox"/>	<input type="checkbox"/>	<input type="checkbox"/>	<input type="checkbox"/>	<input type="checkbox"/>	<input type="checkbox"/>
Exploded Views	<input type="checkbox"/>	<input type="checkbox"/>	<input type="checkbox"/>	<input type="checkbox"/>	<input type="checkbox"/>	<input type="checkbox"/>	<input type="checkbox"/>	<input type="checkbox"/>	<input type="checkbox"/>
Schematic Diagrams	<input type="checkbox"/>	<input type="checkbox"/>	<input type="checkbox"/>	<input type="checkbox"/>	<input type="checkbox"/>	<input type="checkbox"/>	<input type="checkbox"/>	<input type="checkbox"/>	<input type="checkbox"/>
Circuit Board Details	<input type="checkbox"/>	<input type="checkbox"/>	<input type="checkbox"/>	<input type="checkbox"/>	<input type="checkbox"/>	<input type="checkbox"/>	<input type="checkbox"/>	<input type="checkbox"/>	<input type="checkbox"/>
Electrical Parts List	<input type="checkbox"/>	<input type="checkbox"/>	<input type="checkbox"/>	<input type="checkbox"/>	<input type="checkbox"/>	<input type="checkbox"/>	<input type="checkbox"/>	<input type="checkbox"/>	<input type="checkbox"/>
Exploded View Parts List	<input type="checkbox"/>	<input type="checkbox"/>	<input type="checkbox"/>	<input type="checkbox"/>	<input type="checkbox"/>	<input type="checkbox"/>	<input type="checkbox"/>	<input type="checkbox"/>	<input type="checkbox"/>

2. How do you rate this particular Service Manual?

excellent very good good fair poor

3. Did this Service manual provide you with the information necessary to service and maintain the specific equipment?

very much so generally yes to some extent no

4. We would appreciate any corrections or recommendations for improving this manual. Please include the specific page number(s) of the diagram or procedure in question.

5. General comments/suggestions:

Manual No.: 6804112J18