

SAILOR

Service Information No. 122
Kundendienst-Mitteilung No.
Service Information No.
Información de servicio No.
Servicemeddelelse No.

Series / Serie / Numéro de série / Serie / Serie

Date / Datum / Date / Fecha / Dato

September 1987

SAILOR AT1500/AT1505 in connection with SAILOR S1303/4 option I and II

When the Aerial Tuners SAILOR AT1500/AT1505 are used in connection with frequencies above 26 MHz the below change must be made to remove the possibility of flashover in variometer L103.

RE105, type ORF 1501, must be replaced with a relay of the type ORF 1503, and the wiring must be changed as shown on the enclosed diagram and drawing. This change will mean that when RE105 is activated a parasitic resonans is removed from L103.

As to disassembling of SAILOR AT1500/AT1505, please see the instruction manual.

After the modification you carry out the tune-up procedure as described in the manual for SAILOR T1130/T1135.

All SAILOR AT1500 with serial numbers higher than 332205 and all SAILOR AT1505 with serial numbers higher than 328049 have been modified by S.P. Radio A/S.



Please file this information in the service-portfolio we have sent you.

Bitte archivieren Sie diese Mitteilung in der Kundendienstmappe, die wir Ihnen gesandt haben.

Nous vous prions de bien vouloir classer ce document dans le dossier bleu qui vous a été envoyé à cet effet.

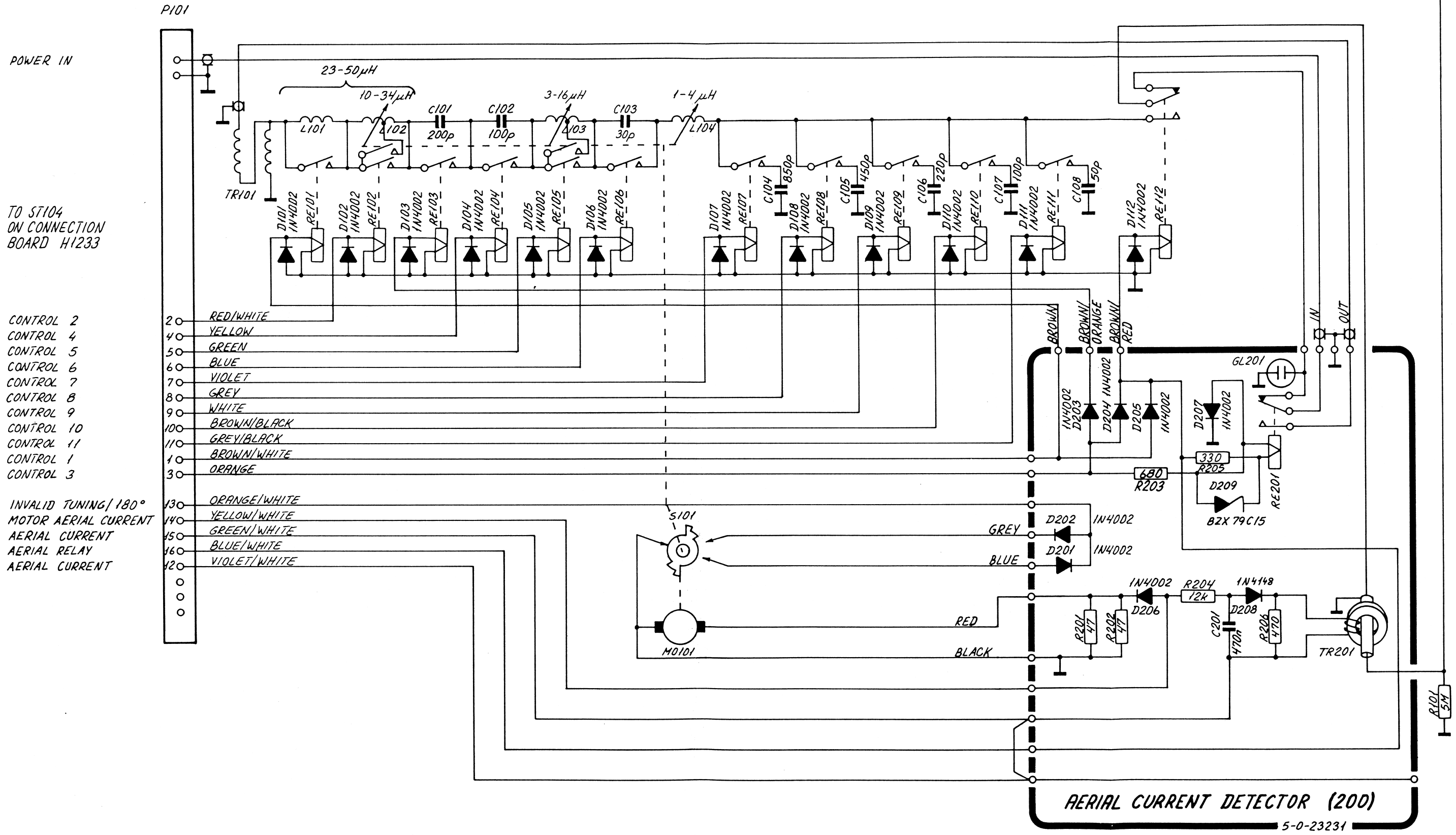
Sivanse archivar esta información en la cubierta de servicio que les hemos enviado a Ustedes.

De bedes venligst arkivere denne meddelelse i den tilsendte servicemappe.

A/S **S. P. RADIO**

Aalborg - Denmark

AT1500 4-0-23250F



POWER IN

TO ST104
ON CONNECTION
BOARD HI233

- CONTROL 2 20 RED/WHITE
- CONTROL 4 40 YELLOW
- CONTROL 5 50 GREEN
- CONTROL 6 60 BLUE
- CONTROL 7 70 VIOLET
- CONTROL 8 80 GREY
- CONTROL 9 90 WHITE
- CONTROL 10 100 BROWN/BLACK
- CONTROL 11 110 GREY/BLACK
- CONTROL 1 10 BROWN/WHITE
- CONTROL 3 30 ORANGE
- INVALID TUNING/180° 130 ORANGE/WHITE
- MOTOR AERIAL CURRENT 140 YELLOW/WHITE
- AERIAL CURRENT 150 GREEN/WHITE
- AERIAL RELAY 160 BLUE/WHITE
- AERIAL CURRENT 120 VIOLET/WHITE

AERIAL CURRENT DETECTOR (200)

5-0-23231

MAIN SCHEMATIC DIAGRAM
FOR AT1500

<i>Symbol</i>	<i>Description</i>	<i>Manufact.</i>	
C101	Capacitor ceramic 200 pF $\pm 20\%$	LCC	AAT 042
C102	Capacitor ceramic 100 pF $\pm 20\%$	LCC	AAH 042
C103	Capacitor ceramic 30 pF $\pm 20\%$	LCC	AAH 030
C104	Capacitor, Mica 850 pF	S.P.	
C105	Capacitor, Mica 450 pF	S.P.	
C106	Capacitor ceramic 220 pF $\pm 20\%$	LCC	AAT 042
C107	Capacitor ceramic 100 pF $\pm 20\%$	LCC	AAH 042
C108	Capacitor ceramic 50 pF $\pm 20\%$	LCC	AAH 030
D101	Diode	Motorola	1N4002
D102	Diode	Motorola	1N4002
D103	Diode	Motorola	1N4002
D104	Diode	Motorola	1N4002
D105	Diode	Motorola	1N4002
D106	Diode	Motorola	1N4002
D107	Diode	Motorola	1N4002
D108	Diode	Motorola	1N4002
D109	Diode	Motorola	1N4002
D110	Diode	Motorola	1N4002
D111	Diode	Motorola	1N4002
D112	Diode	Motorola	1N4002
L101	Variometer	S.P.	
L102	Variometer	S.P.	
L103	Variometer	S.P.	
L104	Variometer	S.P.	
MO101	Motor	MAXON	41.023.038-00.00-097
P101	Jack	S.P.	
R101	Resistor 5 Mohm 10% 2W 10KV	VITROHM	177-0
RE101	Relay	S.P.	ORF 1501
RE102	Relay	S.P.	ORF 1503
RE103	Relay	S.P.	ORF 1501
RE104	Relay	S.P.	ORF 1501
RE105	Relay	S.P.	ORF 1503
RE106	Relay	S.P.	ORF 1501
RE107	Relay	S.P.	ORF 1501
RE108	Relay	S.P.	ORF 1501
RE109	Relay	S.P.	ORF 1501
RE110	Relay	S.P.	ORF 1501

<i>Symbol</i>	<i>Description</i>	<i>Manufact.</i>	
RE111	Relay	S.P.	ORF 1501
RE112	Relay	S.P.	ORF 1502
S101	Switch	S.P.	
TR101	Transformer	S.P.	400297

C		CHASSIS AT1505		1/2	
Symbol	Description	Manufact.			
C101	Capacitor ceramic 200 pF $\pm 20\%$	LCC		AAT 042	
C102	Capacitor ceramic 100 pF $\pm 20\%$	LCC		AAH 042	
C103	Capacitor ceramic 30 pF $\pm 20\%$	LCC		AAH 030	
C104	Capacitor, Mica 850 pF	S.P.			
C105	Capacitor, Mica 450 pF	S.P.			
C106	Capacitor ceramic 220 pF $\pm 20\%$	LCC		AAT 042	
C107	Capacitor ceramic 100 pF $\pm 20\%$	LCC		AAH 042	
C108	Capacitor ceramic 50 pF $\pm 20\%$	LCC		AAH 030	
D101	Diode	Motorola		1N4002	
D102	Diode	Motorola		1N4002	
D103	Diode	Motorola		1N4002	
D104	Diode	Motorola		1N4002	
D105	Diode	Motorola		1N4002	
D106	Diode	Motorola		1N4002	
D107	Diode	Motorola		1N4002	
D108	Diode	Motorola		1N4002	
D109	Diode	Motorola		1N4002	
D110	Diode	Motorola		1N4002	
D111	Diode	Motorola		1N4002	
D112	Diode	Motorola		1N4002	
L101	Variometer	S.P.			
L102	Variometer	S.P.			
L103	Variometer	S.P.			
L104	Variometer	S.P.			
M01Q1	Motor	MAXON		41.023.038-00.00-097	
P101	Jack	S.P.			
R101	Resistor 5 Mohm 10% 2W 10KV	VITROHM		177-0	
RE101	Relay	S.P.		ORF 1501	
RE102	Relay	S.P.		ORF 1503	
RE103	Relay	S.P.		ORF 1501	
RE104	Relay	S.P.		ORF 1501	
RE105	Relay	S.P.		ORF 1503	
RE106	Relay	S.P.		ORF 1501	
RE107	Relay	S.P.		ORF 1501	
RE108	Relay	S.P.		ORF 1501	
RE109	Relay	S.P.		ORF 1501	
RE110	Relay	S.P.		ORF 1501	

AT1505-8.87

MODULE NO: 100

C

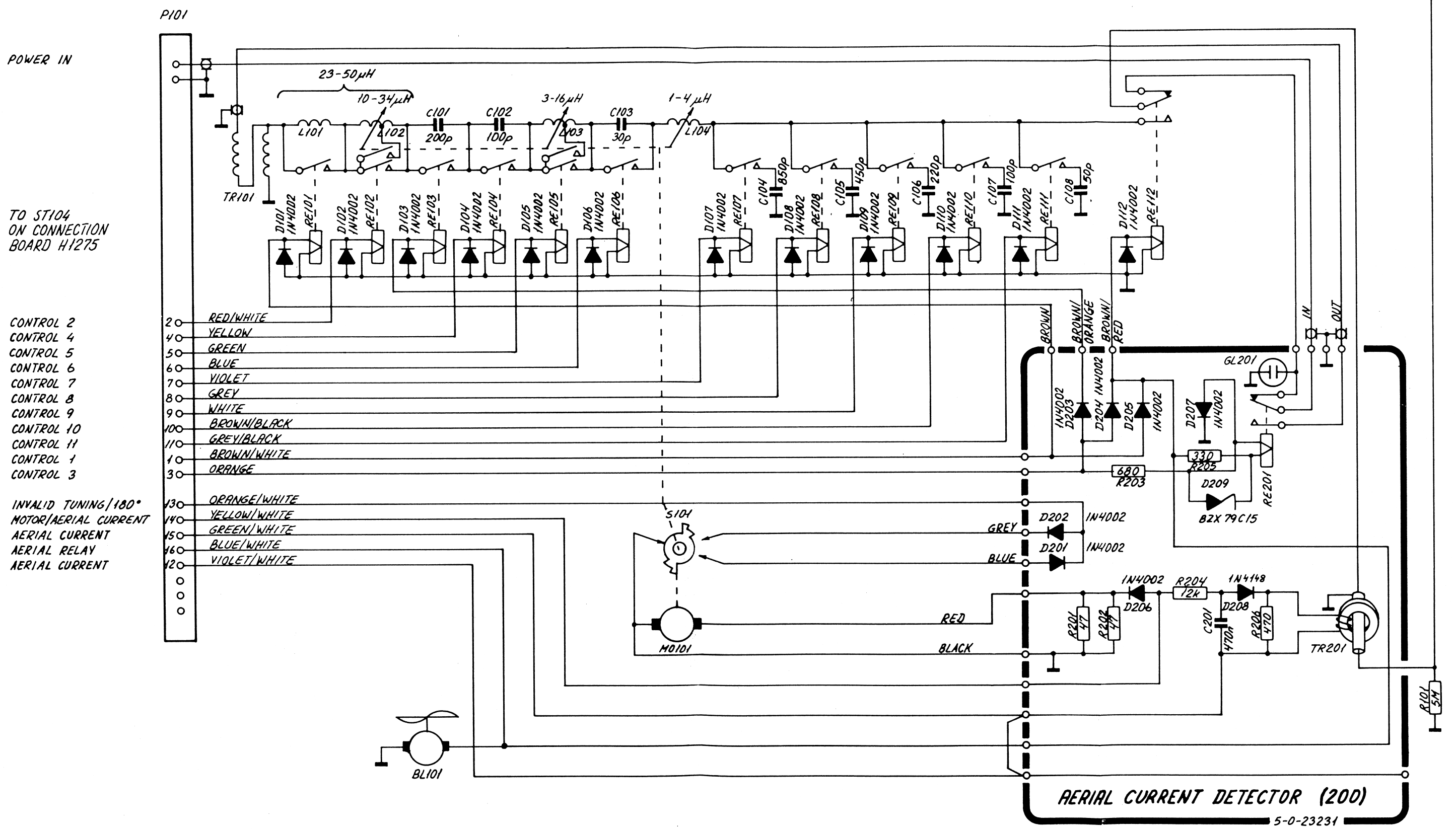
CHASSIS AT1505

2/2

<i>Symbol</i>	<i>Description</i>	<i>Manufact.</i>	
RE111	Relay	S.P.	ORF 1501
RE112	Relay	S.P.	ORF 1502
S101	Switch	S.P.	
TR101	Transformer	S.P.	400297
BL101	Blower	TOYO CORP.	TFDD 8024 RXAL

AT1505-8.87

AT1505 4-0-25254A



POWER IN

TO ST104
ON CONNECTION
BOARD H1275

- CONTROL 2
- CONTROL 4
- CONTROL 5
- CONTROL 6
- CONTROL 7
- CONTROL 8
- CONTROL 9
- CONTROL 10
- CONTROL 11
- CONTROL 1
- CONTROL 3

- INVALID TUNING/180°
- MOTOR/AERIAL CURRENT
- AERIAL CURRENT
- AERIAL RELAY
- AERIAL CURRENT

AERIAL CURRENT DETECTOR (200)

5-0-23231

MAIN SCHEMATIC DIAGRAM
FOR AT1505