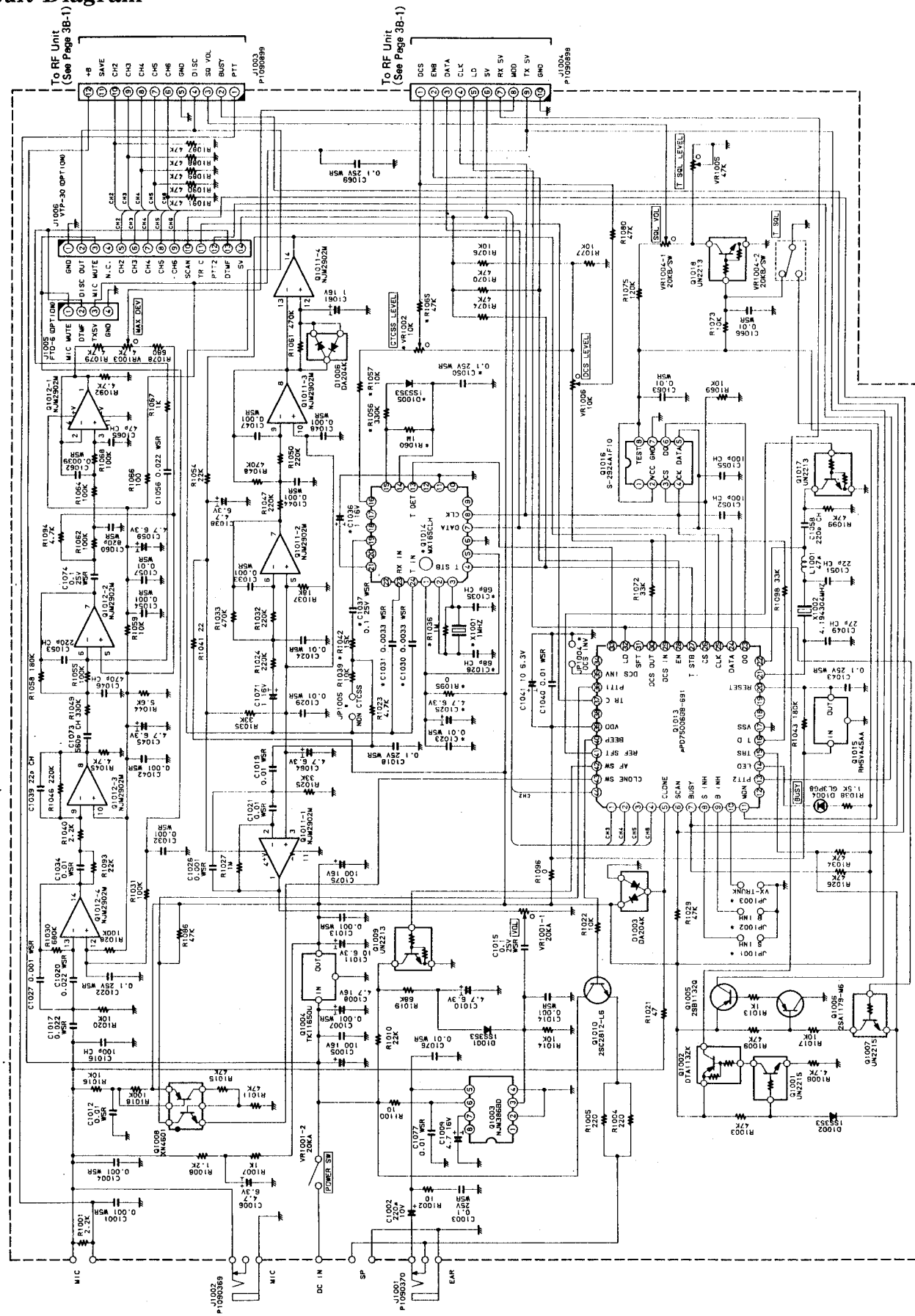
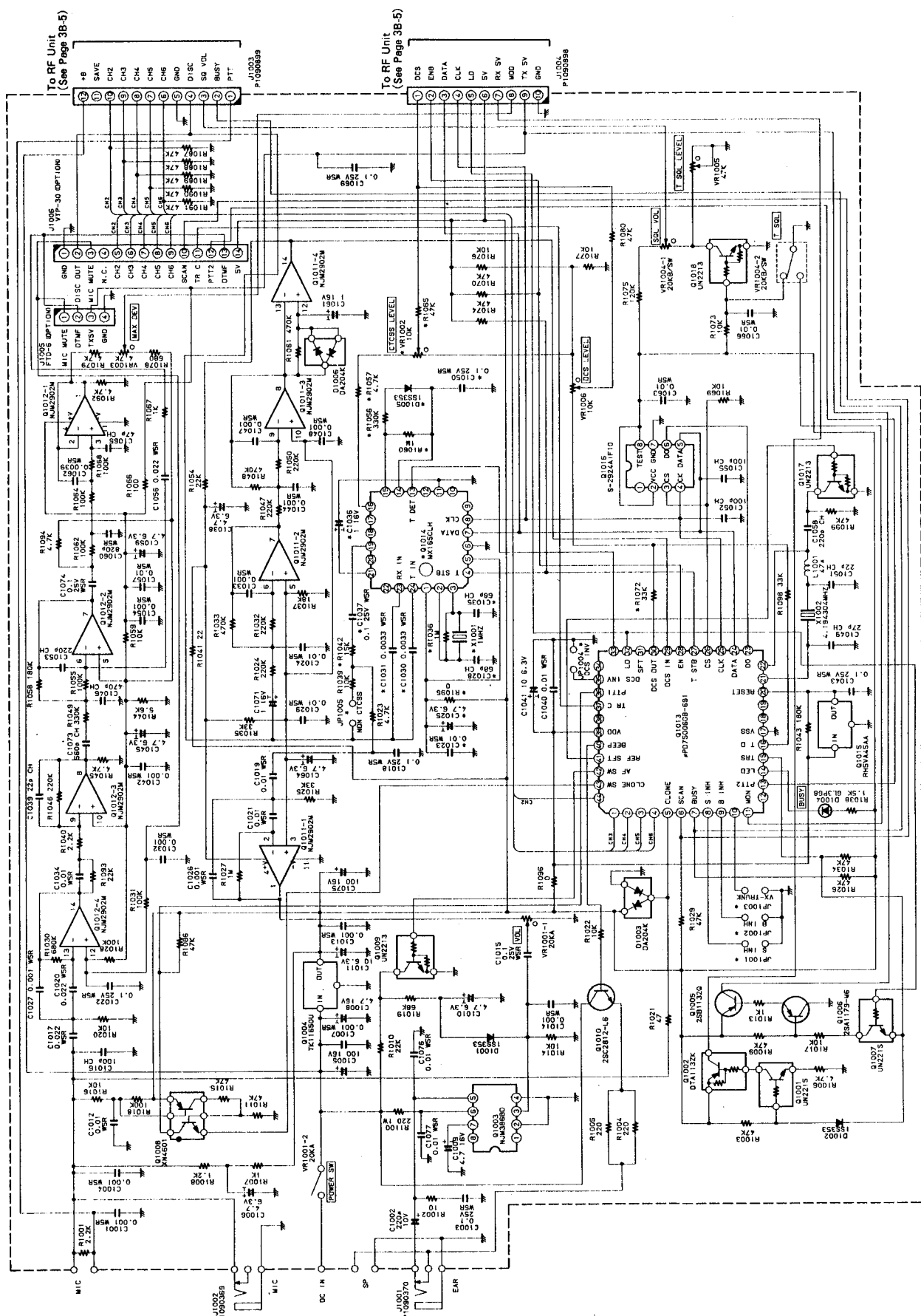


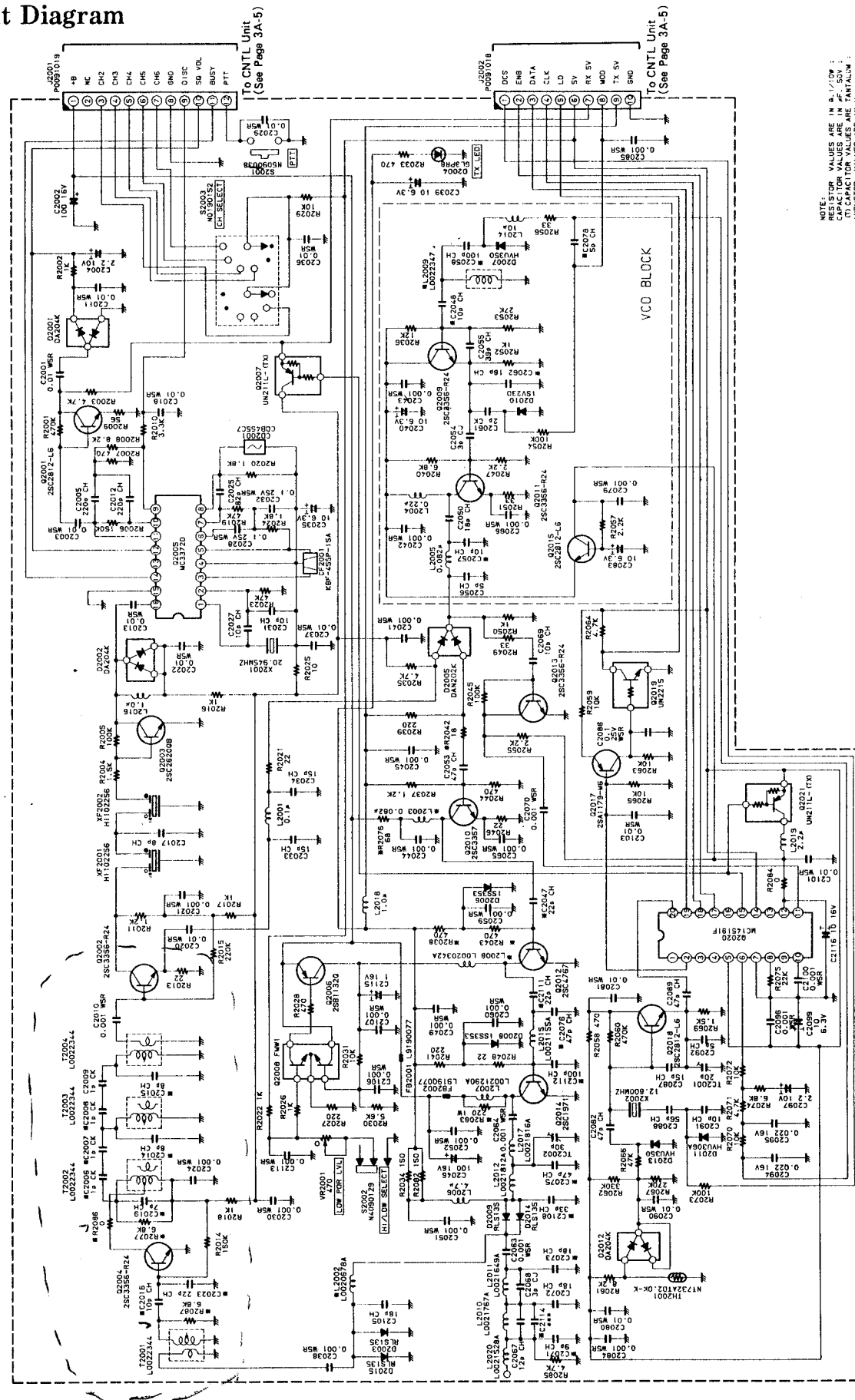
Circuit Diagram



Circuit Diagram



Circuit Diagram



NOTE:
RESISTOR VALUES ARE IN Ω , $\text{k}\Omega$, $\text{M}\Omega$, OR $\text{G}\Omega$.
CAPACITOR VALUES ARE IN pF , nF , μF , OR mF .
INDUCTOR VALUES ARE IN μH , mH , OR H .
UNLESS OTHERWISE NOTED.