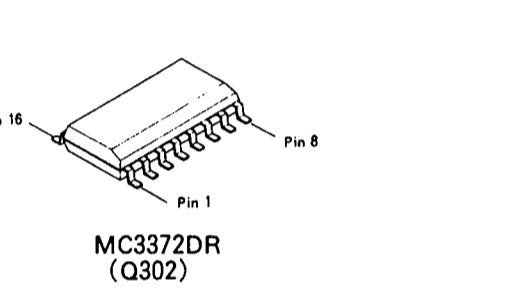


Parts Layout

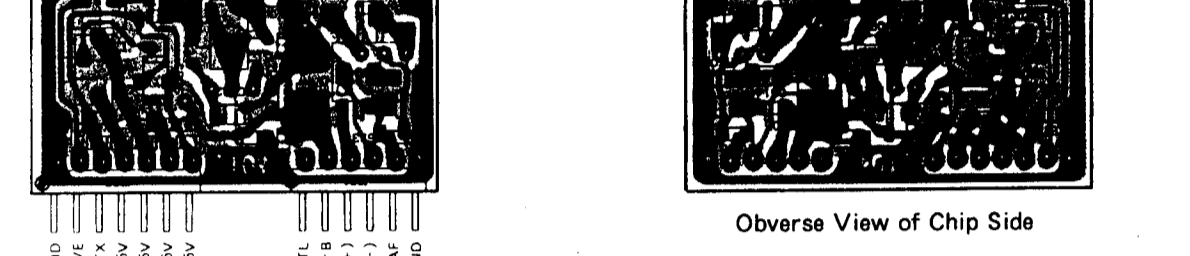


Obverse View of Component Side

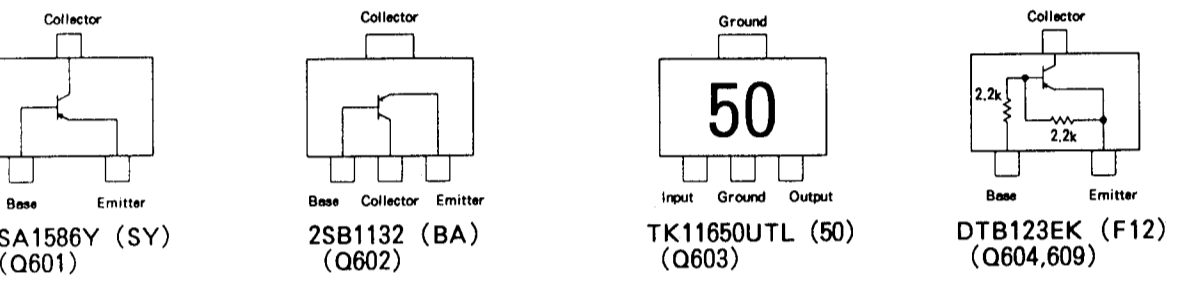


- 2SC4116GR (LG) (Q301)
- MC3372DR (Q302)
- 2SA1588Y (SY) (Q303)
- DA204U (K) (D302)
- DTC144EU (26) (Q607,608,610)

Parts Layout

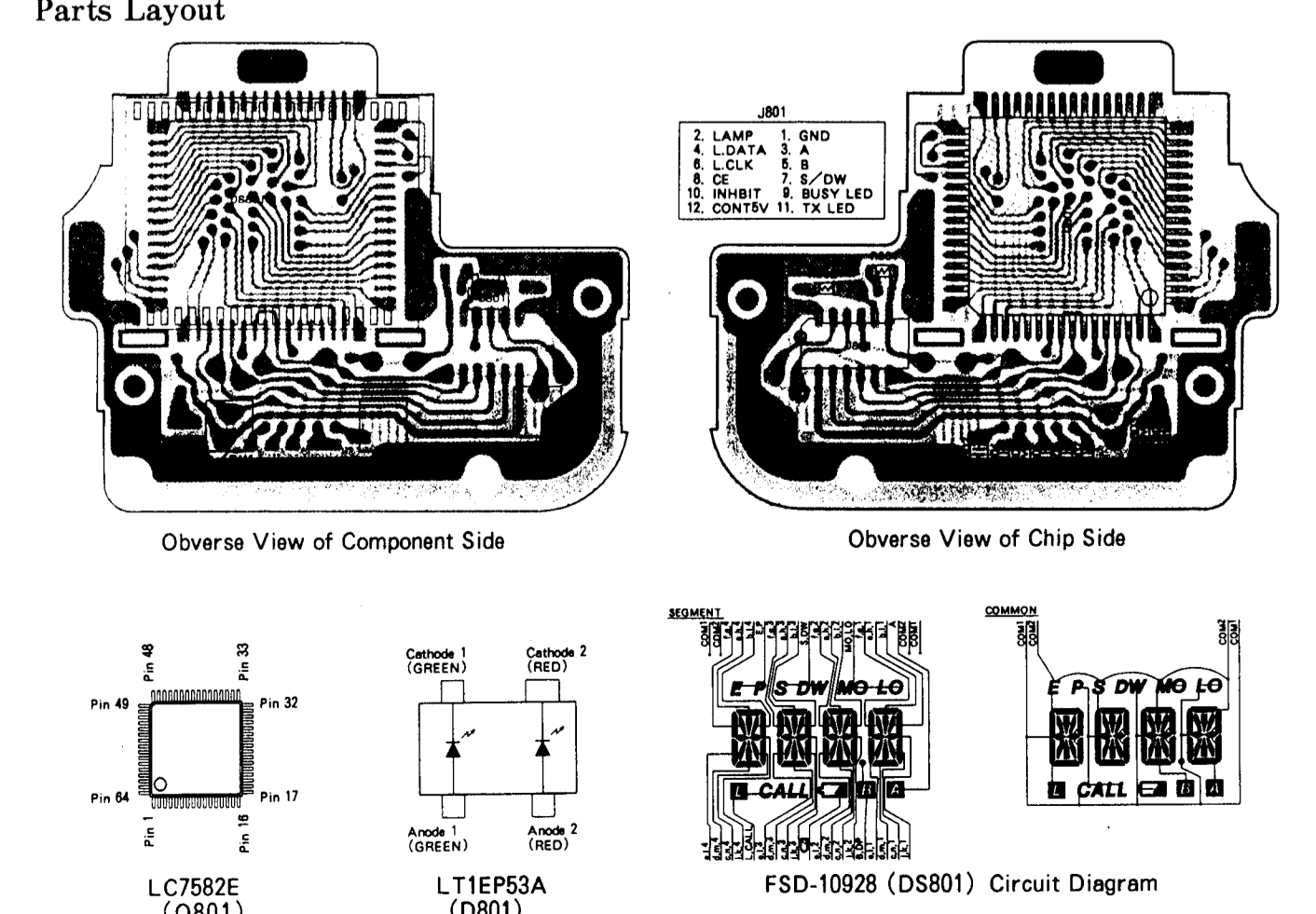
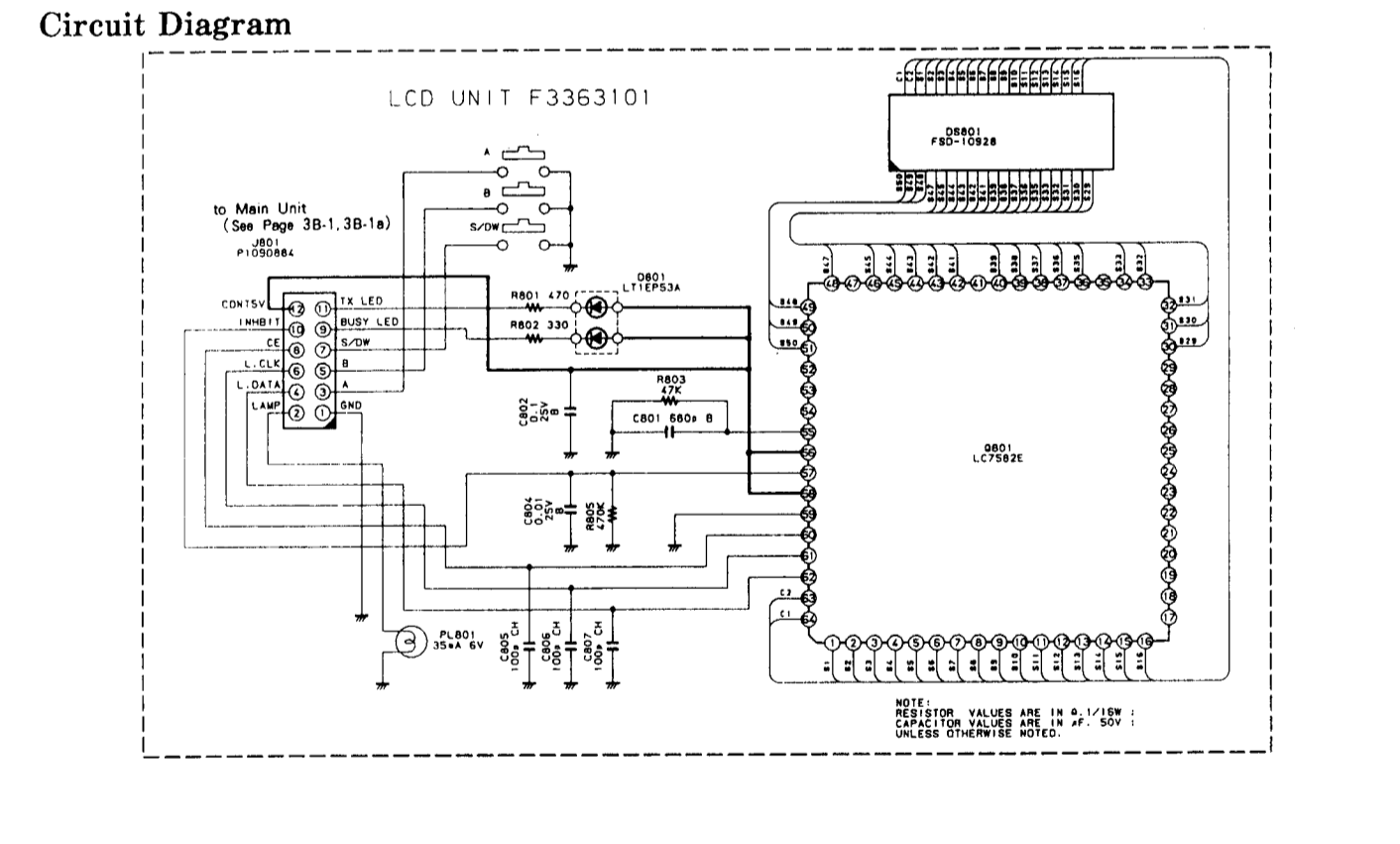


Obverse View of Component Side



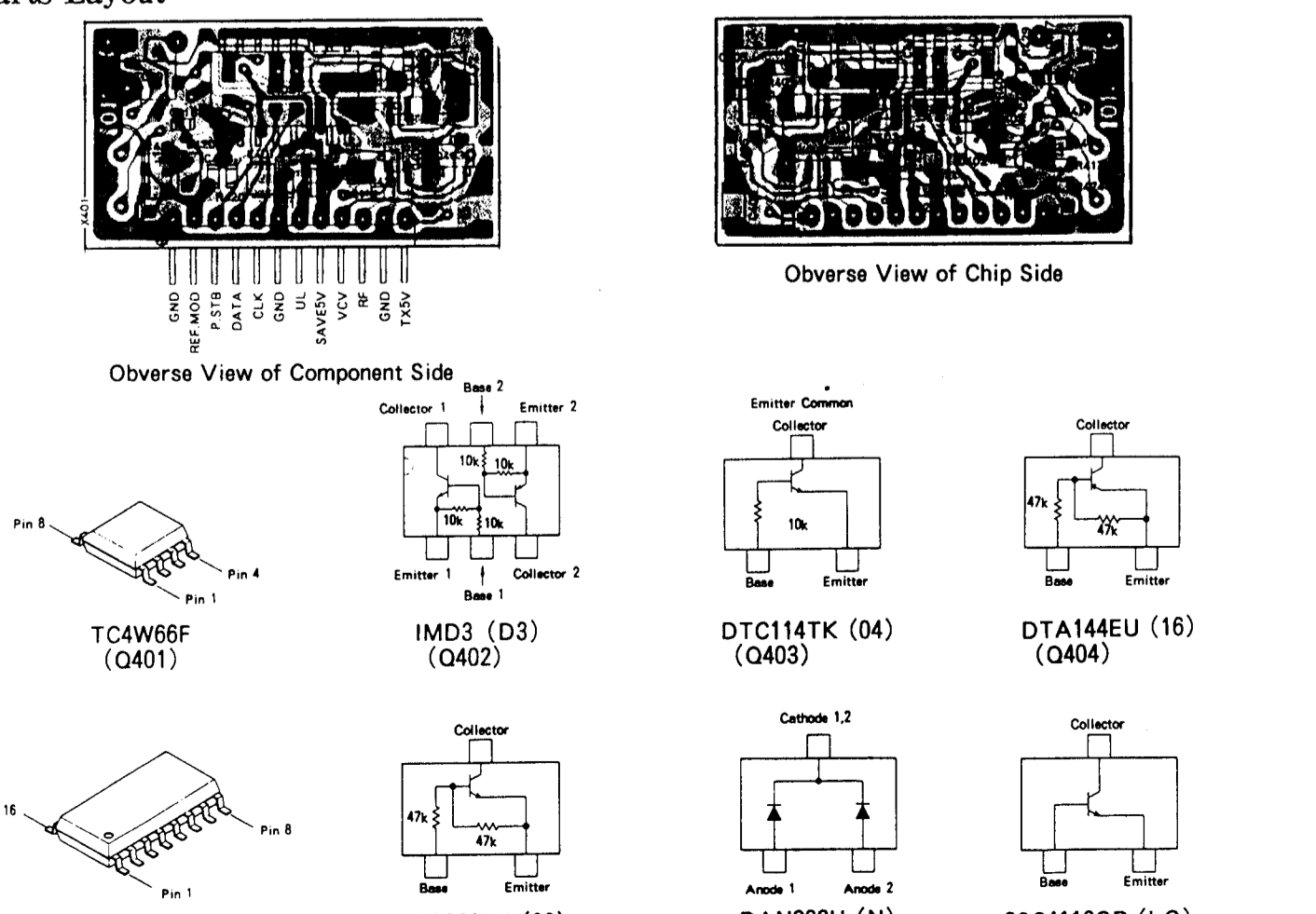
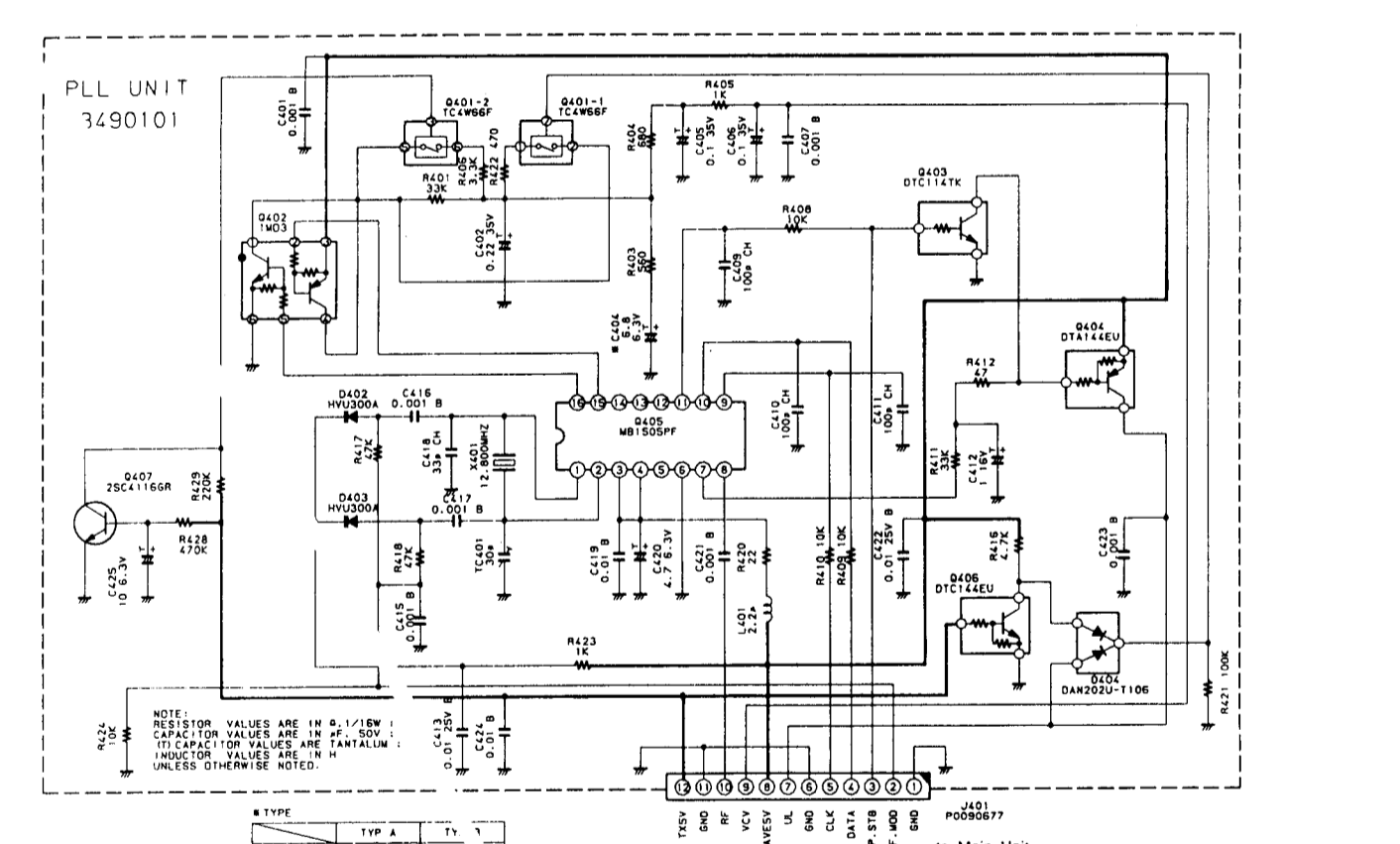
- 2SA1588Y (SY) (Q303)
- DA204U (K) (D302)
- DTA143XX (33) (Q305)
- TDA2822D013TR (Q306)
- DTC144EU (26) (Q607,608,610)

LCD Unit



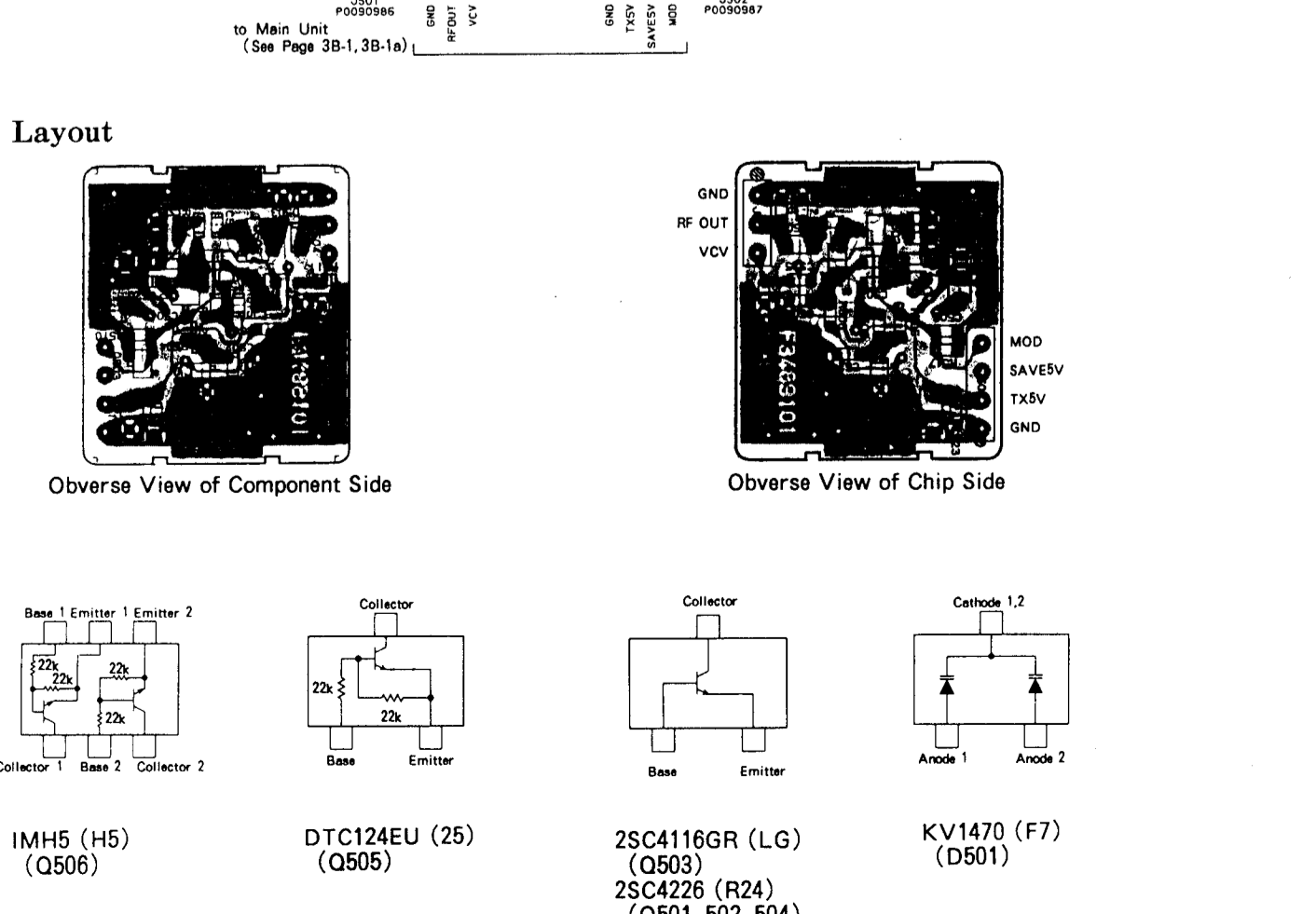
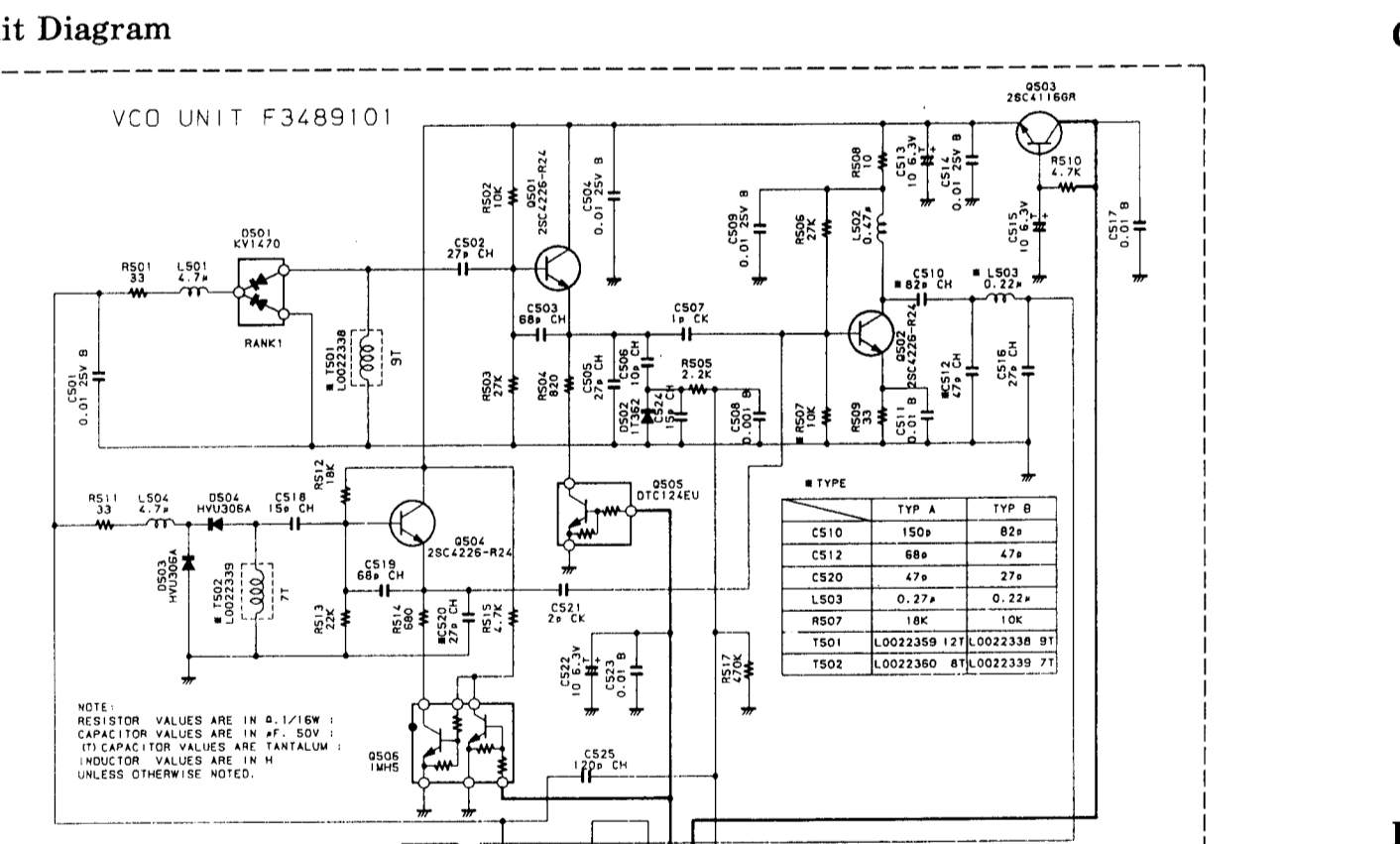
- LC7582E (Q801)
- L71EP53A (D801)
- FSD-10928 (DS801)

PLL Unit



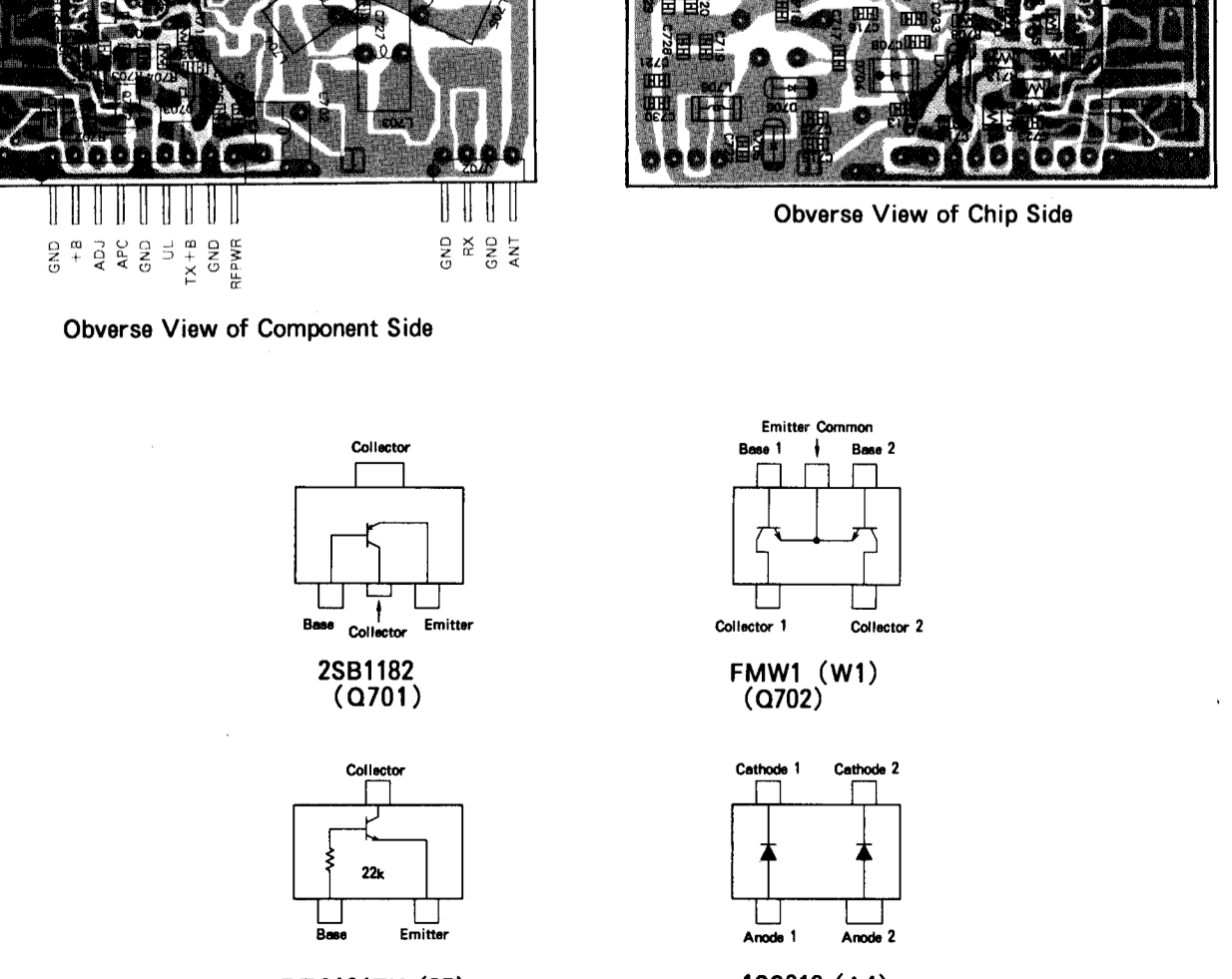
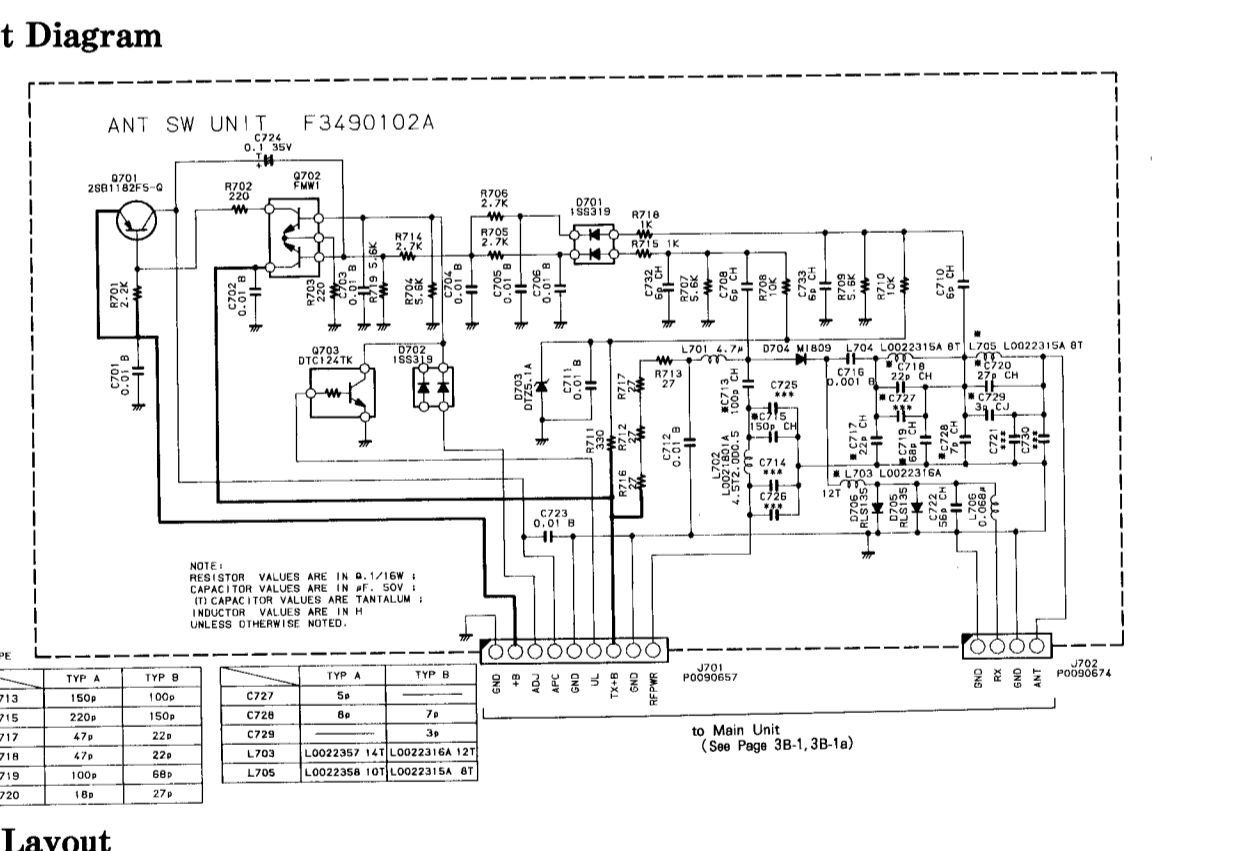
- TCA4W6F (Q401)
- IMD3 (D3) (Q402)
- DTC114TK (04) (Q403)
- DTA144EU (16) (Q404)
- DTC144EU (26) (Q406)
- DAN202U (N) (D404)
- 2SC4116GR (LG) (Q407)

VCO Unit

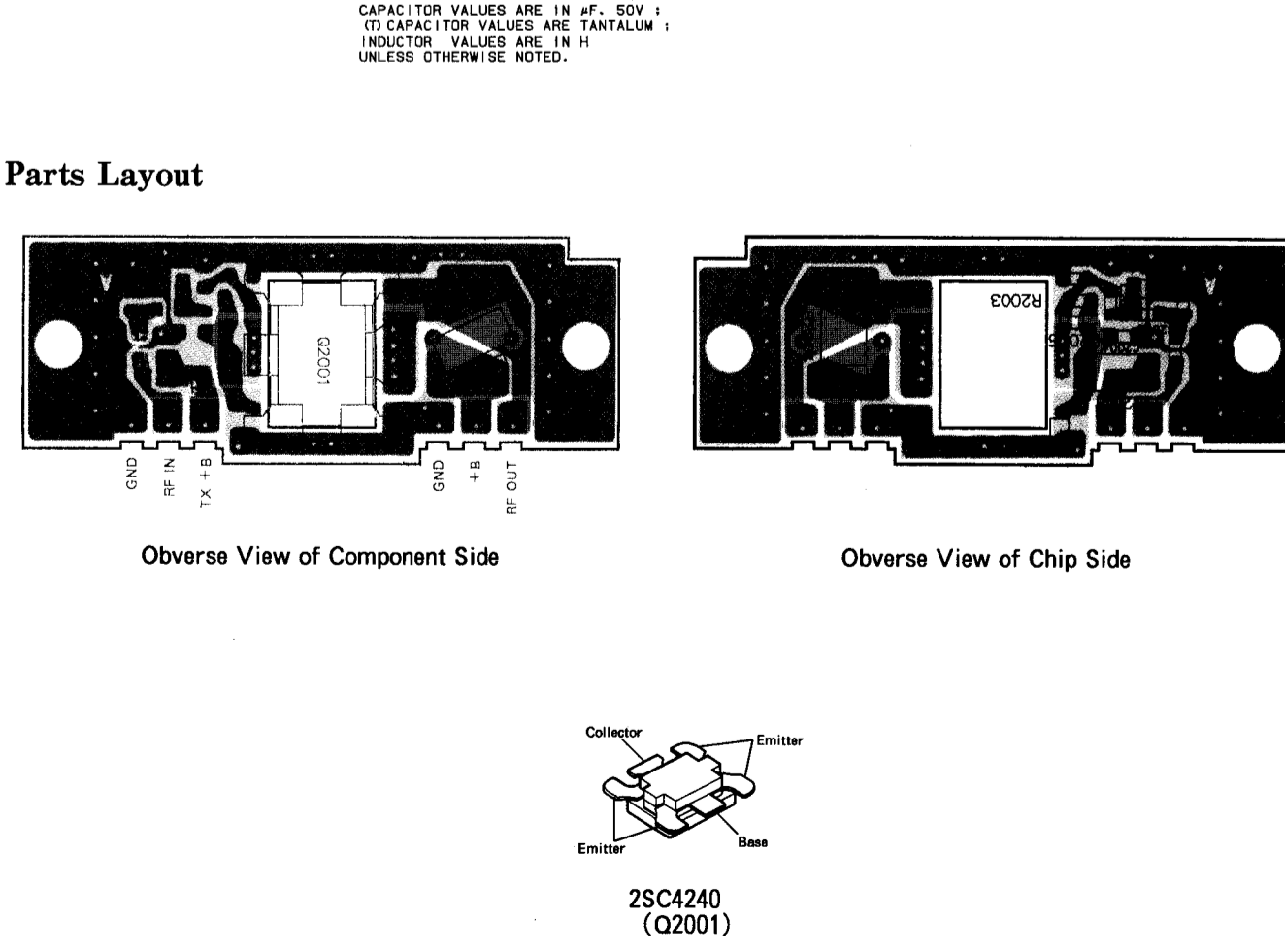
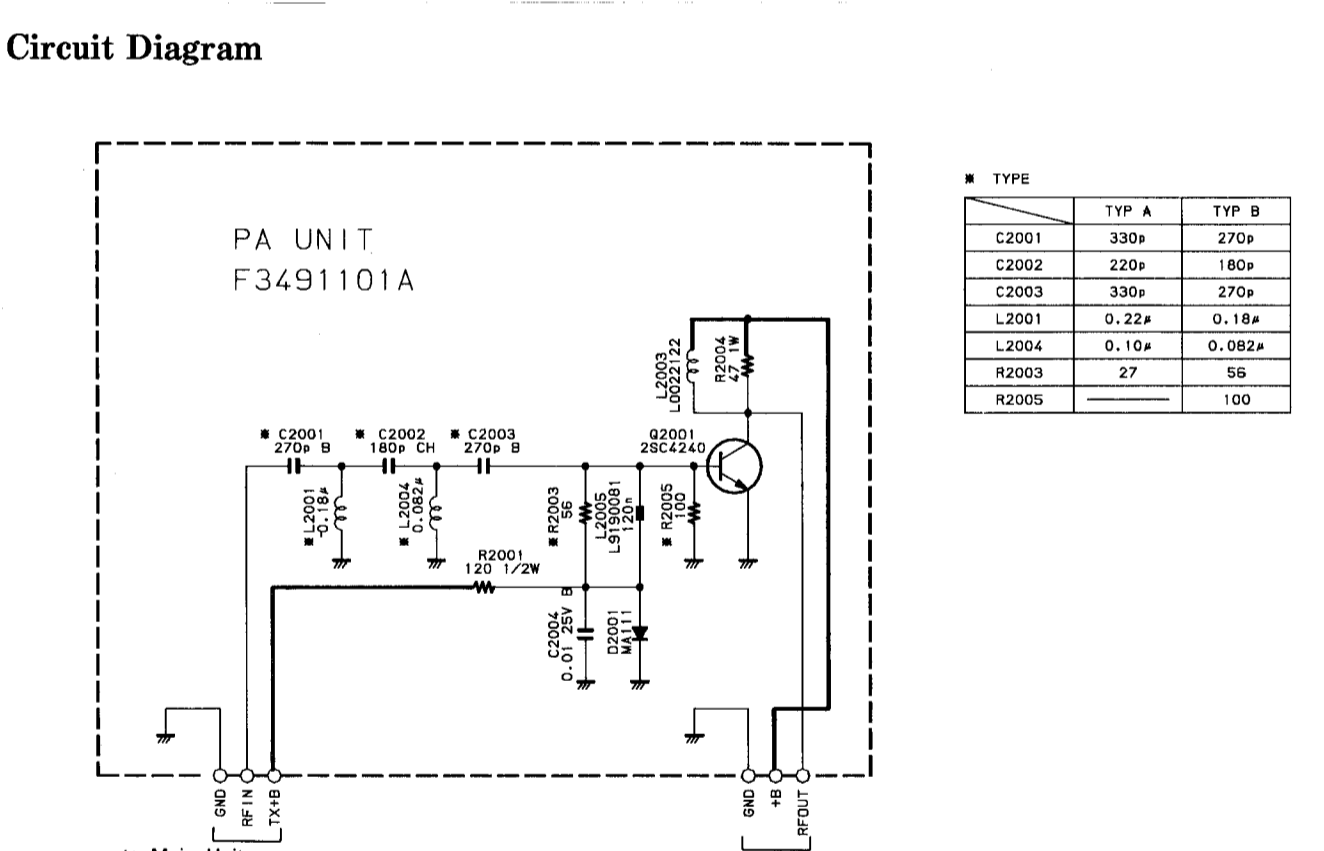


- IMH5 (H5) (Q306)
- DTC124EU (26) (Q305)
- 2SC4116GR (LG) (Q303)
- 2SC4226 (R24) (Q304,502,504)
- KV1470 (F7) (D301)
- DTC124TK (05) (Q703)
- 1SS319 (A4) (D701,702)

ANT-SW Unit

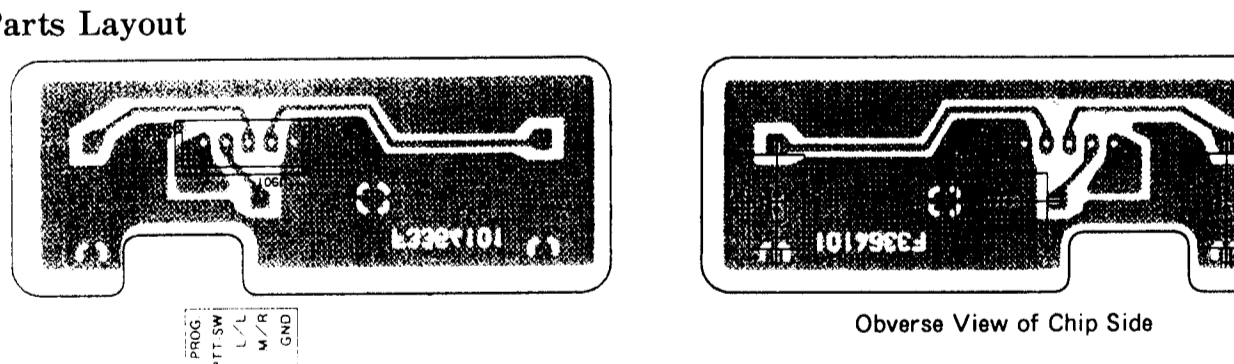
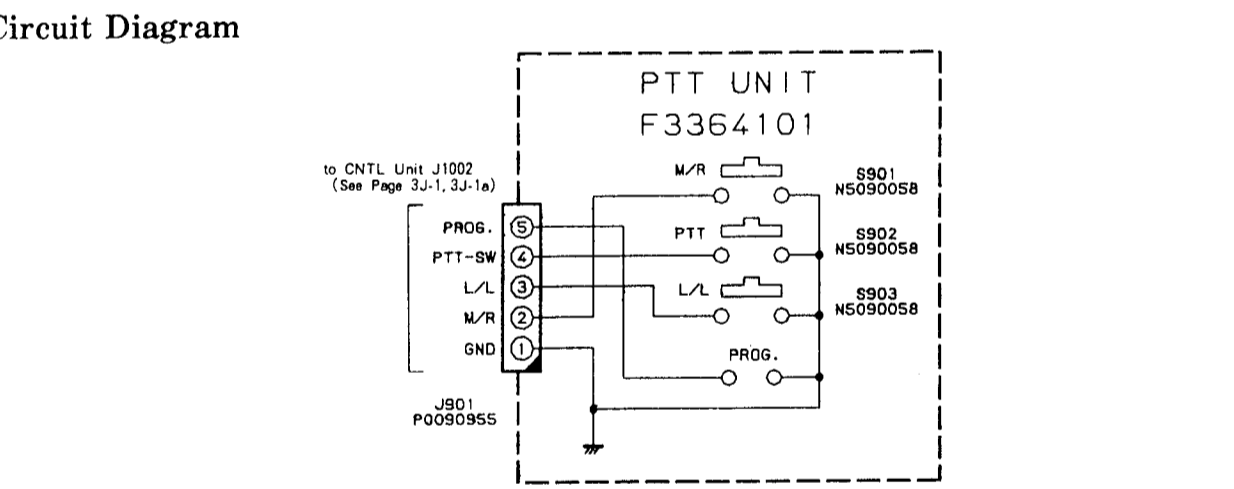


- 2SB1182 (Q701)
- FMW1 (W1) (Q702)



- 2SC4240 (Q2001)

PTT Unit



- REF. DESCRIPTION VALUE MW TOL. MFGR'S DESIG YAESU P/N VERS. LOT.
- *** PTT UNIT ***
- PCB With Components CA1342001
 - Printed Circuit Board F3364101
 - J 0901 CONNECTOR 9120B-05 P0090955
 - S 0901 TACT SWITCH SKQDAB N5090058
 - S 0902 TACT SWITCH SKQDAB N5090058
 - S 0903 TACT SWITCH SKQDAB N5090058