

INSTRUCTION BOOK
FOR
MODEL RBK-8*
RADIO RECEIVING EQUIPMENT
FOR
AMPLITUDE AND FREQUENCY MODULATED SIGNALS
FREQUENCY RANGE: 27.8 TO 143 MEGACYCLES

RESTRICTED

Notice;- This document contains information affecting the national defense of the United States within the meaning of the Espionage Act (U.S.C. 50:31,32). The transmission of this document or the revelation of its contents in any manner to any unauthorized person is prohibited.

The information contained in documents marked RESTRICTED will not be communicated to the public or to the press, but it may be communicated to any person known to be in the service of the United States, and to persons of undoubted loyalty and discretion who are cooperating in governmental work. (AR 380-5)

THE HALLICRAFTERS CO.

*HALLICRAFTERS MODEL S-36

TABLE OF CONTENTS

<u>Subject</u>	<u>Page</u>
TITLE PAGE	1-2
TABLE OF CONTENTS.	3
LIST OF COMPONENTS	4
A. DESCRIPTION OF EQUIPMENT	5
B. INSTALLATION	6
C. ADJUSTMENT AND OPERATION	7
D. ALIGNMENT AND SERVICE.	8
E. ELECTRICAL AND MECHANICAL DATA	9
F. LIST OF REPLACEABLE PARTS.	10
G. INDEX TO PARTS MANUFACTURERS	23
H. DRAWINGS AND ILLUSTRATIONS	
Fig. 1 - CHL-46130 Receiver - Block diagram.	24
Fig. 2 - CHL-46130 Receiver - Schematic.	25
Fig. 3 - CHL-46130 Receiver - Location of important parts.	26
Fig. 4 - Model RBK-() Antenna installation.	27
Fig. 5 - Model RBK-() Front View.	28
Fig. 6 - CHL-46130 Receiver - Top View	29
Fig. 7 - CHL-46130 Receiver - Bottom View.	30
Fig. 8 - CHL-46130 Receiver - Rear View.	31

LIST OF COMPONENTS

Each complete equipment consists of the following:

- 1 CHL-46130, CHL-46130-A or CHL-46130-B Radio Receiver
- 1 Table mounting cabinet which, together with above receiver, is known as MODEL RBK-() Receiving Equipment
- 1 Kit spare parts as purchased.

Note: All reference to The Type CHL-46130 Radio Receiver in the text applies to the Type CHL-46130-A and CHL-46130-B Radio Receiver with the following exceptions:

CHL-46130-A operates from 115/230 volt source, and does not have the receptacle for the panoramic adapter.

CHL-46130-B operates from 115/230 volt source.

INSTRUCTION BOOK FOR MODEL RBK-1

RADIO RECEIVING EQUIPMENT

A. DESCRIPTION OF EQUIPMENT

A-1. GENERAL - The Model RBK-() radio receiving equipment consists of a type CHL-46130 ultra-high frequency receiver mounted in a table mounting cabinet. The receiver may be removed from its cabinet and mounted directly onto a standard rack without any mechanical alterations. Included with each equipment are two instruction books.

A-2. RECEIVER UNIT - The type CHL-46130 receiver is an ultra-high frequency radio receiver capable of receiving amplitude and frequency modulated radio signals within a frequency range of 27.8 to 143 megacycles. Refer to Fig. 2 for circuit details, and to Fig. 3 for location of important parts.

The tube complement is as follows:

- V1 - Type 956 (Acorn) radio frequency amplifier
- V2 - Type 954 (Acorn) first detector-mixer
- V3 - Type 6AC7 or 1852 first I.F. amplifier
- V4 - Type 6AB7 or 1853 second I.F. amplifier
- V5 - Type 6SK7 third I.F. amplifier
- V6 - Type 6H6 AM detector and automatic noise limiter
- V7 - Type 6AC7 or 1852
- V8 - Type 6H6 F.M. detector
- V9 - Type 68L7GT audio amplifier
- V10 - Type VR150 voltage regulator
- V11 - Type 6V6G power audio amplifier
- V12 - Type 6V6G power audio amplifier
- V13 - Type 5U4G rectifier
- V14 - Type 6J5 beat frequency oscillator
- V15 - Type 955 high frequency oscillator

The circuit is that of a conventional superheterodyne receiver preceded by one stage of tuned radio frequency amplification. The intermediate frequency amplifier of the superheterodyne circuit terminates in both amplitude modulation and frequency modulation detector circuits which can be switched to the same audio amplifying system by means of the front panel AM-FM switch, thus providing either type of reception at will. Refer to Fig. 1 for block diagram.

This receiver tunes through a frequency range of 27.8 to 143 megacycles in 3 bands.

- Band 1 - 27.8 to 47 M.C.
- Band 2 - 46 to 82 M.C.
- Band 3 - 82 to 143 M.C.

Band switching is accomplished with a specially designed ceramic switch which operates in the antenna, RF and oscillator circuits.

A-3. CIRCUIT DESCRIPTION - The signal enters the receiver through the antenna terminals and flows through the primary of the first R.F. transformer, T-1. A voltage is induced in the secondary which is then applied to the grid of the first RF tube V-1. Refer to Fig. 2.

The amplified signal flows through the plate circuit of V-1 and RF transformer T-4. A voltage is induced in the secondary and applied to the grid of the mixer tube V-2.

Another voltage is applied to the cathode of this tube. This voltage is generated by the high frequency circuit of V-15 and differs from the frequency of the received signal by 5.25 mc. These two signals heterodyne each other in the plate circuit of the tube and produce a beat note whose frequency is equal to the difference of those of the two signals applied to the mixer tube or 5.25 mc.

The primary of transformer T-10 is tuned to this frequency and a voltage at this frequency is thereby developed across it. This induces a voltage across the secondary of T-10 which is applied to the grid of V-3. The received signal is then amplified at intermediate frequency through transformer T-11, Tube V-4, transformer T-12, and tube V-5. Transformer T-13 couples to one of the diodes in tube V-6. The signal is here rectified and the amplitude modulation of the carrier causes a similar audio frequency signal to appear across resistors R-33, R-34, and R-36 in series. That part of the audio frequency voltage across R-34 and R-36 in series is connected to the audio frequency gain control through condenser C-33. The voltage applied to the grid of one of the triodes in the double triode tube V-9 is varied by operation of volume control R-43. The audio frequency voltage appearing in the plate of V-9 is applied to the grid of V-12 and also to the grid of the other triode in tube V-9. Thus V-9 operates as a push-pull AF amplifier feeding the grids of the push-pull output tubes V-10 and V-11. The output of these tubes flows through transformer T-15. The secondary of this transformer has a 5000 ohm winding with a tap at 500 ohms. In addition, there is also a center tapped 600 ohm winding which is connected to the phone jack J-1. This winding is balanced to ground and both sides of the phone jack to which it connects are insulated from the chassis. The audio amplifier circuit utilizes degeneration to improve its fidelity. By means of the tone switch the degeneration is removed at the low frequencies which gives an appreciable base boost in the output. The tone switch also serves to connect the resistor condenser network R-54, C-41 across the primary of T-15 which reduces high frequency response. In the

low frequency position this switch short circuits R-54 thus giving maximum reduction of high frequencies.

The voltage applied to the grid of tube V-5 is also applied to V-7. This tube acts as a limiter, which means the signal voltage appearing across its plate circuit is limited to a certain pre-determined value. Amplituded modulation of the carrier, whether intentional or caused by static or other forms of interference is thus effectively reduced. Frequency modulation of the carrier, however, is unaffected. The amplituded limited signal voltage appears across the primary of transformer T-14 and voltage is induced in the secondary of this transformer which reacts with the voltage coupled from the primary through condenser C-29 to produce frequency discriminating action. When the frequency of the signal flowing through T-14 is exactly 5.25 mc the voltages across resistors R-40 and R-41 are equal and opposite. A change in the frequency in one direction produces a positive difference between the voltage across R-40 and R-41. A frequency change in the opposite direction produces a negative voltage difference. In this way frequency modulation of the received carrier produces a similar audio frequency voltage across resistors R-40 and R-41. This is applied through the high frequency de-emphasis network R-42, C-32 to audio frequency volume control R-43. From here it feeds into the audio frequency amplifier as previously outlined.

The beat frequency oscillator consisting of tube V-14 and reactor L-7 produces a 5.25 mc output which is coupled to the rectifier tube V-6 to permit the reception of CW signals.

The other diode in V-6 is used as an automatic noise limiter to reduce the amplitude of sharply peaked interference when receiving amplitude modulated signals. This greatly increases the intelligibility of such reception in the presence of undesirable noise, such as that caused by ignition equipment.

The power supply line cord feeds through the filter network C-49, L-5, C-48 and C-50, L-6 and C-51 before connecting to the primary of the power transformer. This filter effectively eliminates interference feeding into the receiver from the power supply mains. The output of the 5Z3 rectifier is filtered by means of iron core reactors L-1 and L-2 and filter condensers C-42, C-43 and C-44. The voltage regulator tube VR150 is connected to the output of the power supply through resistor R-59 and furnishes constant voltage to the plate supply of high frequency oscillator V-15, the screen and plate supply of mixer tube V-2 and the screen of V-4. The S meter M-1 used for indicating the strength of the carrier input is connected in the plate circuit of V-4. An increase in carrier strength increases the automatic volume control voltage supplied to this tube which in turn reduces the plate current, thus causing a change in the reading of meter M-1.

This same meter is connected through a high resistance R-56 across resistor R-40 and R-41 in the FM position. When the receiver is tuned to the FM carrier this meter will indicate "0". Any slight deviation in the tuning from this point will cause the S meter to deflect in either direction.

B. INSTALLATION

B-1. CAUTION - The voltages exposed at the bottom of the receiver chassis are high, and care must be taken so that the operators hands do not contact any of the circuit connections during adjustment. Before making repairs requiring work underneath the receiver chassis the power cord should be removed from supply receptacle.

B-2. UNPACKING - Carefully unpack and inspect the receiver for any possible damage during shipment. In case of damage a claim should be filed immediately with the transportation company.

B-3. INSTALLATION - After the set has been unpacked and before it is connected to its source of power be sure that all tubes, especially Acorn tubes, are firmly positioned in their sockets. The Acorn tubes can be reached by removing the cover of the R.F. assembly which is held in place by eight knurled nuts. Type CHL-46130 has been designed to operate from 110 to 125 volts 50 to 60 cycle alternating current. Types CHL-46130-A and CHL-46130-B operate from 110 or 230 volts 50 to 60 cycles A.C. Before plugging in be sure that the power supply available conforms to this frequency and voltage.

The antenna connects to the terminals at the rear of the chassis. Reference is made to Fig. 4. If a single wire antenna is used it should be connected to terminal A-1 and a jumper connected between terminals A-2 and G. If a concentric cable is used the inner conductor connects to A-1 and the same jumper remains between A-2 and G. If a two wire balanced or twisted pair transmission line is used, the two wires connect to A-1 and A-2 and the jumper is removed. In all cases terminal G should be connected to a good earth ground. The loudspeaker connects to the pair of terminals in the rear marked 5000 ohms.

The phone jack on the front panel connects to a 600 ohm output circuit both sides of which are insulated from ground. The center tap of this output winding connects to a terminal on the rear apron marked 600 and may be grounded by connecting a jumper across both of the terminals on this terminal strip.

B-4. ANTENNA - Refer to Fig. 4. This figure shows several typical antenna installations.

Where interference from man made static does not exist, the recommended installation is that of a long single wire shown in Fig. 4A.

Where there is considerable local interference and reception over a narrow frequency band is most desired the dipole installation shown in Figs. 4B and 4C is most effective. Where it is desired to cover a fairly wide frequency band, it is recommended that a dipole antenna designed for the highest desired frequency is used. A simple way of determining the length of each half of the dipole in inches is to divide 2770 by the frequency in megacycles. For reception at 42 megacycles for instance the use of the formula will show that the length of each half of the dipole will be 65.9" or approximately 5 ft. 6".

C. ADJUSTMENT AND OPERATION

C-1. RECEIVER OPERATION - With all the connections made as described above, the receiver may be operated as follows:

- (a) Plug in phones, into the PHONES jack on the panel or connect the speaker to the 5000 ohm terminals on the rear apron of the chassis.
- (b) Set the SEND-REC. switch at RECEIVE. This switch prevents the receiver from operating when in the SEND position but allows the tube heaters to remain hot.
- (c) Set the AM/FM switch to receive the type of modulation desired.
- (d) Turn the R.F. GAIN control clockwise as far as it will go.
- (e) Set the band switch to the desired band and then operate the hand-wheel tuning knob until a signal is heard and indicated on the tuning meter. For A.M. reception adjust for maximum "S" meter reading. For F.M. reception adjust the tuning to resonance as indicated by the zero center reading of the pointer on the red line. See Note (1) Tuning Meter.
- (f) Adjust the ANTENNA control for maximum signal for A.M. reception or minimum background noise if no modulation is present when an F.M. carrier is being received. See Note (2) Antenna Trimmer.
- (g) Adjust A.F. GAIN control for the desired speaker volume.
- (h) The AVC switch should be set at ON for normal reception.
- (i) In the presence of ignition interference the ANL switch may be set at ON, to increase the intelligibility of the received signal. Nor-

The antennae shown in Figs. 4B and 4C will give the best reception in the direction broadside to the length. The dipole antenna, operating at its fundamental frequency, will be found to be much more directional than the single long wire.

The receiving antenna should be directed in either a horizontal or vertical plane, depending upon polarization of the transmitted signal. When receiving over short distances the receiver antenna should be erected in the same plane as the transmitter antenna. For long distance reception the received signals are more often horizontally polarized which dictates the use of a horizontal antenna.

mally it should remain at OFF.

- (j) Where c-w reception is desired or where it is necessary to locate a weak carrier, the BFO switch may be set at ON. The pitch of the resulting beat note may be varied by adjusting the PITCH CONTROL directly above and to the right of the BFO switch.
- (k) The TONE control may be set to produce the type of tone modification desired from base boost through high fidelity to high frequency cut-off.

Note (1) TUNING METER - When used in the AM position the tuning meter indicates the strength of the carrier received. The AVC switch must be set at ON and the R.F. gain control turned to the extreme clockwise position or this meter will not operate.

When tuning the receiver in the FM position the meter will deflect to one side when approaching a carrier, then swing back through zero and to an equal deflection on the other side of zero as the carrier is passed, then return to zero when tuned beyond the carrier. The zero center position of the pointer in the middle of the swing represents the correct setting for resonance.

Note (2) ANTENNA TRIMMER - The antenna trimmer is necessary to compensate for misalignment produced in the first tuned circuit by antenna variations. For the same antenna its setting will be approximately constant for a considerable range of frequencies. Adjust the antenna trimmer knob as indicated in paragraph C-1 (f). When operating this control at the high frequency end of Band 3 it may be necessary to re-adjust the tuning control after each adjustment of the ANTENNA control knob, manipulating both controls until maximum signal is heard.

D. ALIGNMENT AND SERVICE

D-1. RECEIVER ALIGNMENT - This receiver has been carefully aligned at the factory by qualified engineers and alignment should not be attempted unless it is known that the adjustments have been tampered with or that tubes of a different manufacture have been substituted. The equipment needed will be a signal generator capable of tuning from 28 to 130 mc., another or the same signal generator tuneable to 5.25 mc (intermediate frequency), a non-metallic screw driver, a 50 ohm non-inductive resistor for a dummy antenna and an output meter.

The controls should be set as follows:

RF GAIN control at maximum gain
AF GAIN control at maximum gain
SELECTIVITY switch at SHARP
BAND SWITCH at Band 2
AM/FM switch at AM
AVC switch at OFF
ANL switch at OFF
BFO switch at OFF

(a) I.F. ALIGNMENT

Connect a signal generator to the grid of the 954 converter tube V-2, using either a small clip or a piece of flexible wire around the grid terminal. Do not attempt to solder the tube as the heat is certain to crack the glass. Connect the output meter across the speaker terminals.

Tune the signal generator to 5.25 megacycles and align transformer T-10, T-11, T-12, T-13 for maximum response.

A bakelite screw-driver with a metal or insulated tip is necessary for accurate alignment.

This alignment process should be repeated at least once to assure greatest possible selectivity.

To align the "discriminator" transformer T-14 turn the selectivity switch to the broad position and the AM-FM switch to the FM position.

Leave the signal generator set at the frequency originally used for IF alignment with the modulation left on. Rotate the trimmer control across the discriminator (T-14) secondary (nearest the front of the chassis) until the signal drops to zero. Since this point is approached very suddenly, turn the control very slowly. Now slightly detune the secondary until the output meter gives a readable indication. Adjust the primary trimmer control of the discriminator transformer for maximum response. Retune the secondary until the output again drops to zero.

Next detune the signal generator to either side of resonance and note the maximum output in each case as indicated on the output meter. These values should be the same for good bal-

ance. If they are not, then tune the signal generator to the lower of the two peaks and adjust the primary until the output rises an amount equal to about half the difference of the two outputs previously noted.

Retest for balance as above and readjust the primary till both maximum readings are alike when the signal generator is detuned to either side of resonance.

If a balance cannot be obtained, it is an indication that the discriminator secondary trimmer control has been adjusted off its proper center and will require a very slight readjustment in either direction. The direction of adjustment that will cause the off-tune peaks to assume the same values is the correct one. Care must be taken in adjusting the discriminator secondary control as even a slight misadjustment will result in the distorted reception of frequency-modulated signals.

(b) R.F. ALIGNMENT

The Ferris Signal Generator Model 18D or 18FS is recommended for alignment purposes. If this is not available, harmonics of a standard signal generator may be used. The receiver's controls should be set in the same position as for I.F. alignment.

Set the AM-FM switch in the AM position
Set the bandswitch on band 1
Tune the generator and receiver to 42 mc

Adjust oscillator trimmer C-66 until the signal is heard. The frequency of the oscillator is higher than that of the signal. Next adjust trimmer C-63 and the antenna trimmer for maximum response. Refer to Fig. 3.

Tune both receiver and signal generator to 28 megacycles and adjust padder C-58 for maximum response while rocking the tuning control. Then repeat the alignment at the high frequency end as described.

BAND 2

Tune the receiver and signal generator to 75 megacycles. Adjust trimmer C-67 until the signal is heard. In this band, the frequency of the oscillator is lower than that of the signal. Adjust the antenna trimmer and trimmer C-64 for maximum response while rocking the gang condenser. No padder condenser adjustment is provided for the low-frequency end of this band.

BAND 3

Tune the receiver and signal generator to 120 megacycles. Adjust trimmer C-65 and the antenna trimmer for maximum response while rocking the gang. It is not recommended that the frequency of the oscillator in this band be

adjusted except at the factory. Should it be impractical to return the receiver to the factory for adjustment, then the following instructions are included.

Remove the top cover and locate the high frequency oscillator coil. The white wire winding, one end of which is connected to a terminal on the form is the primary. By carefully shifting the free end of this winding the frequency can be changed over a sufficient range. This lead should be cemented in place with Q-Max or any other low loss cement when adjustment is completed.

Repeat the adjustment of C-65 as described above after shifting the frequency of the oscillator.

As in band 2, the frequency of the oscillator is lower than that of the signal. No paddler

condenser adjustment is provided for the low frequency end of this band.

D-2. MAINTENANCE - Routine maintenance should include keeping the units inside of the cabinet free from dust accumulation. If dust collects on the plates of the tuning condenser or the gear drive, it should be blown out with dry air.

The gear-drive will require a minute amount of light machine oil at each of its bearings at least twice per year.

If the sensitivity of the receiver begins to fall off, the tubes should be individually tested. In replacing original tubes which have tested O.K., care should be exercised to plug them back into the same socket. Acorn tubes should be inserted into the socket with the short end of the body in the socket.

D-3. TABLE OF TUBE SOCKET VOLTAGES

(Measured from socket pin to ground with 1000 ohm per volt meter)
AC LINE - 115 VOLTS

TUBE	DESCRIPTION	ACORN TUBE ELEMENTS				
		HEATER	HEATER	PLATE	SCREEN	CATHODE
V-1 (956)	RF Amplifier	0	6.2 AC	155 DC	100 DC	2.5 DC
V-2 (954)	1st Detector-Mixer	0	6.2 AC	150 DC	65 DC	4.0 DC
V-15 (955)	High Freq. Osc.	0	6.2 AC	95 DC		0

SOCKET PIN NUMBERS

	1	2	3	4	5	6	7	8
V-3 (6AC7)	0	0	0	0	1.8 DC	140 DC	6.2 AC	225 DC
V-4 (6AB7)	0	0	0	0	1.8 DC	150 DC	6.2 AC	225 DC
V-5 (6SK7)	0	6.2 AC	5.5 DC	0	5.5 DC	95 DC	0	225 DC
V-6 (6H6)	0	6.2 AC	0	0	0	0	0	0
V-7 (6AC7)	0	6.2 AC	0	0	0	70 DC	0	70 DC
V-8 (6H6)	0	6.2 AC	0	0	0	0	0	0
V-9 (6SL7GT)	0	140 DC	1.8 DC	0	145 DC	1.6 DC	6.2 AC	0
V-10 (6V6GT)	0	6.2 AC	235 DC	230 DC	0	0	0	15 DC
V-11 (6V6GT)	0	6.2 AC	235 DC	230 DC	0	0	0	15 DC
V-12 (VR150)	0	0	155 DC	0	155 DC	0	155 DC	0
V-13 (5U4G)	0	260 DC	0	250 AC	0	250 AC	0	260 DC
V-14 (6J5)	0	6.2 AC	0	0	0	0	0	0

E. ELECTRICAL AND MECHANICAL DATA

E-1. POWER REQUIREMENT - Type CHL-46130 receiver draws 80 watts from the A. C. power mains.

E-2. POWER OUTPUT - Three watts of audio power can be obtained with less than 5% distortion. Audio fidelity is within plus or minus 3 db. from 40 to 10,000 cycles. Deemphasis compensation is included for FM reception.

E-3. WEIGHTS - The weight of the chassis and cabinet together is 63 lbs. The weight of the chassis alone is 48 lbs. The weight of Type CHL-49172 speaker is 20 lbs., including its cabinet.

E-4. DIMENSIONS - The overall dimensions of the receiver chassis installed in its table mounting cabinet are 19-1/8 inches wide, 9-3/8 inches high and 14-3/16 inches deep. Dimensions of the chassis alone are 19 inches wide, 8-23/32 inches high (these are the front panel dimensions) and 13-29/32 inches deep. This does not include the binding posts protruding from the rear side.

Dimensions of the speaker are 11-1/2 inches high, 16 inches wide, and 11 inches deep.

F. LIST OF REPLACEABLE PARTS - MODEL RBK-()

REF. SYMBOL	NAME OF PART AND DESCRIPTION	FUNCTION	MFR. CODE	CONTR'S PART NO.
R ₁	Resistor, 250 ohm, 10%, ½ watt, carbon, type 504	Cathode bias for tube V ₁	ER	23BX251E
R ₂	Resistor, 1,000 ohm, 10%, ½ watt, carbon, type 504	Screen decoupling for tube V ₁	ER	23BX102E
R ₃	Same as R ₂	Plate decoupling for tube V ₁		
R ₄	Resistor, 10,000 ohm, 20%, 2 watt, carbon, type BT-2	Plate decoupling for tube V ₁	IRC	23BV103F
R ₅	Resistor, 2,000 ohm, 10%, ½ watt, carbon, type 504	Cathode bias for tube V ₂	ER	23BX202E
R ₆	Same as R ₂	Screen decoupling for tube V ₂		
R ₇	Resistor, 0.1 megohm, 10%, ½ watt, carbon, type 504	Screen decoupling for tube V ₂	ER	23BX104E
R ₈	Resistor, 8 ohm, 20%, ½ watt, carbon, type 504	Plate decoupling for tube V ₂	ER	23A008
R ₉	Same as R ₈	1st I.F. band expansion		
R ₁₀	Resistor, 0.1 megohm, ½ watt, carbon, type 504 (Part of T ₁₀ . Shown for reference only)	AVC isolating	ER	23BX104E
R ₁₁	Resistor, 10,000 ohm, 20%, wire wound, variable, type RAC35	R-F gain control	CT	25C058
R ₁₃	Resistor, 120 ohm, 10%, ½ watt, carbon, type 504	Cathode bias for tube V ₃	ER	23BX121E
R ₁₄	Resistor, 40,000 ohm, 10%, ½ watt, carbon, type 504	Screen decoupling for tube V ₃	ER	23BX403E
R ₁₅	Resistor, 300 ohm, 10%, ½ watt, carbon, type 504	Plate decoupling for tube V ₃	ER	23BX301E
R ₁₆	Same as R ₈	2nd I.F. band expansion		
R ₁₇	Same as R ₇	AVC isolating		
R ₁₈	Same as R ₇	AVC isolating		

Part No.	Description	Quantity	Material	Notes	Part No.
R19	Same as R7. (Part of T11. Shown for reference only.)	AVC isolating			
R20	Resistor, 200 ohm, 10%, 1/2 watt, carbon, type 504	Cathode bias for tube V4	ER		23BX201E
R21	Same as R2	Screen decoupling for tube V4			
R22	Same as R15	Plate decoupling for tube V4			
R23	Same as R8	3rd I.F. band expansion			
R24	Resistor, 0.5 megohm, 20%, 1/2 watt, carbon, type 504	Grid return for tube V5	ER		23BX504F
R25	Same as R15	Cathode bias for tube V5			
R27	Same as R2	Plate decoupling for tube V5			
R28	Resistor, 7,500 ohm, 5%, 10 watt, wire wound, type AB	Voltage divider	IRC		24BG752D
R29	Same as R5	Voltage divider			
R30	Resistor, 20,000 ohm, 20%, 2 watt, carbon, type ET-2	Voltage divider	CRL		23BV203F
R31	Resistor, 50,000 ohm, 10%, 1/2 watt, carbon, type 504	Diode filter for tube V6	ER		23BX503E
R32	Resistor, 1 megohm, 10%, 1/2 watt, carbon, type 504	A.N.L. resistor for tube V6	ER		23BX105E
R33	Same as R7	Diode load for tube V6			
R34	Resistor, 0.25 megohm, 10%, 1/2 watt, carbon, type 504	Diode load for tube V6	ER		23BX254E
R35	Same as R24	AVC isolating			
R36	Same as R34	Diode load for tube V6			
R37	Resistor, 15,000 ohm, 10%, 1/2 watt, carbon, type 504	Primary loading on discriminator transformer T14	ER		23BX153E

R ₃₈	Same as R ₃₁	Grid return for tube V ₇	
R ₃₉	Same as R ₃₄	Grid return for tube V ₇	
R ₄₀	Same as R ₇	Diode load for tube V ₈	
R ₄₁	Same as R ₇	Diode load for tube V ₈	
R ₄₂	Resistor, 0.2 megohm, 10%, ½ watt, carbon, type 504	Deemphasis network for tube V ₈	ER 23BX204E
R ₄₃	Resistor, 1 megohm, 20%, wire wound, variable, type 35	A.F. Gain control	CT 25C059
R ₄₄	Same as R ₃₄	Plate load for tube V ₉	
R ₄₅	Same as R ₃₄	Plate load for tube V ₉	
R ₄₆	Resistor, 5,000 ohm, 10%, ½ watt, carbon, type 504	Cathode bias for tube V ₉	ER 23BX502E
R ₄₇	Same as R ₄₆	Cathode bias for tube V ₉	
R ₄₈	Same as R ₃₂	Cathode bias for tube V ₉	
R ₄₉	Same as R ₃₄	Grid return for tube V ₁₁	
R ₅₀	Same as R ₃₄	Grid return for tube V ₁₂	
R ₅₁	Same as R ₇	A.F. balancing for tube V ₉	
R ₅₂	Resistor, 250 ohm, 20%, 2 watt, carbon, type 710	Cathode bias for tubes V ₁₁ and V ₁₂	CRL 23BV251F
R ₅₃	Resistor, 10,000 ohm, 10%, ½ watt, carbon, type 504	Degeneration control for tube V ₉	ER 23BX103E
R ₅₄	Resistor, 4,000 ohm, 20%, 2 watt, carbon, type 710	Tone control for tubes V ₁₁ and V ₁₂	CRL 23BV402F
R ₅₅	Same as R ₈	Plate decoupling for tube V ₂	
R ₅₆	Resistor, 0.6 megohm, 10%, ½ watt, carbon, type 504	Meter current limiting	ER 23BX604E
R ₅₇	Resistor, 35 ohm, 10%, ½ watt, carbon, type 504	"S" meter shunt	ER 23BX350E

Part No.	Description	Value	Material	CT	Part No.
R ₅₈	Resistor, variable, 1,500 ohm, 20%, wire wound, type 25			"S" meter control	25C060
R ₅₉	Resistor, 3,200 ohm, 5%, 10 watt, wire wound, type AB			Voltage dropping for tube V ₁₀	24BC322D
R ₆₀	Resistor, 25,000 ohm, 20%, 2 watt, carbon, type 710			Plate decoupling for tube V ₁₄	23BV253F
R ₆₁	Same as R ₃₁			Grid return for tube V ₁₄	
R ₆₂	Same as R ₁₅			Plate decoupling for tube V ₁₅	
R ₆₃	Same as R ₄₆			Plate decoupling for tube V ₁₅	
R ₆₄	Resistor, 20,000 ohm, 10%, 1/2 watt, carbon, type 504			Grid return for tube V ₁₅	ER 23BX203E
R ₆₅	Same as R ₅₇			Grid current control on tube V ₁₅	
R ₆₆	Same as R ₂			Screen decoupling for tube V ₂	
R ₆₇	Same as R ₂			Plate decoupling for tube V ₂	
R ₆₈	Resistor, 6 ohm, 10%, 1/2 watt, carbon, type 504			Grid current control on tube V ₁₅	ER 23A011
R ₇₀	Same as R ₅₇			Parasitic suppressor for tube V ₅	
R ₇₁	Same as R ₈			Parasitic suppressor for tube V ₁	
R ₇₂	Resistor, 25,000 ohm, 20%, 1/2 watt, carbon, type 504			Panoramic adapter coupling impedance	ER 23BX253F

C1A }
 C1B }
 C1C }

Unit 48B048

(C1A, C1B and C1C on same frame and ganged together)

Receiver tuning

OM

C2	Capacitor, 25 mmfd., variable, 3/4 inch shaft, air, special type	Antenna trimmer for transformers T ₁ , T ₂ , T ₃	RC	48A039
C3	Capacitor, 5-6.5 mmfd., 5%, 500 V. D-C, ceramic, type 807-004	Shunt capacitor for transformers T ₁ , T ₂	CRL	47A005
C4	Capacitor, 0.002 mfd., 20%, 500 V. D-C, mica, wax sealed, type 1462	Cathode by-pass for tube V ₁	A	47BR202F-S
C5	Capacitor, 300 mmfd., 10%, 500V. D-C, moulded mica, wax sealed, type 5W	Screen by-pass for tube V ₁	CD	47BU301E-S
C6	Same as C ₄	Plate return for tube V ₁		
C7	Capacitor, 10 mmfd., 10%, 500V. D-C, ceramic, type 811-077	Coupling between tubes V ₁ and V ₂	CRL	47A006
C8	Capacitor, 0.01 mfd., ± 20%, 600V. D-C, mica, wax sealed, type 342	AVC by-pass	A	46AG103F-S
C9	Same as C ₅	Oscillator coupling between tubes V ₂ and V ₁₅		
C10	Same as C ₅	Screen by-pass for tube V ₂		
C11	Capacitor, 50 mmfd., 20%, 500V. D-C moulded mica, wax sealed, type 5W	Plate return for tube V ₂	CD	47BU500F-S
C12	Capacitor, 0.001 mfd., 20%, 500V. D-C mica, wax sealed, type 1468 (Part of T ₁₀ . Shown for reference only)	AVC by-pass for tube V ₃	A	47BR102F-S
C13	Same as C ₈	Cathode by-pass for tube V ₃		
C14	Same as C ₈	Screen by-pass for tube V ₃		

C15	Same as C8	Plate return for tube V3	
C16	Same as C12 (Part of T11. Shown for reference only)	AVC by-pass for tube V4	
C17	Same as C8	Cathode by-pass for tube V4	
C18	Same as C8	Screen by-pass for tube V4	
C19	Same as C8	Plate return for tube V4	
C20	Same as C11	Grid coupling for tube V5	
C21	Same as C8	Cathode by-pass for tube V5	
C22	Same as C8	Screen by-pass for tube V5	
C23	Same as C8	Plate return for tube V5	
C24	Same as C11	Diode return for tube V6	
C25	Capacitor, 0.05 mfd., -6+14%, 500V. D-C type 7678	A.N.L. by-pass	IC 46A005
C26	Same as C11	Diode filter for tube V6	
C27	Capacitor, 100 mmfd., 10%, 500V. D-C moulded mica, wax sealed, type 1468	AVC filter	A 47BU101E-S
C28	Capacitor, 500 mmfd., 20%, 500V. D-C moulded mica, wax sealed, type 5W	AVC filter	CD 47BU501F-S
C29	Capacitor, 25 mmfd., 20%, 600V. D-C, mica, type 5W (Part of T14. Shown for reference only)	Coupling for discriminator transformer T14	CD Part of 50C079
C30	Same as C4	Plate return for tube V7	
C31	Same as C11	Cathode by-pass for tube V8	
C32	Same as C28	Deemphasis circuit for tube V8	

C ₃₃	Same as C ₈	Coupling for tube V ₉	
C ₃₄	Capacitor, 20 mfd., -20+50%, 25V. D-C type 1B113	Cathode by-pass for tube V ₉	IC 46A011
C ₃₅	Same as C ₃₄	Cathode by-pass for tube V ₉	
C ₃₆	Same as C ₈	Coupling between tubes V ₉ and V ₁₂	
C ₃₇	Same as C ₈	Coupling between tubes V ₉ and V ₁₁	
C ₃₈	Same as C ₃₄	Cathode by-pass for tubes V ₁₁ and V ₁₂	
C ₃₉	Same as C ₄	Grid by-pass	
C ₄₀	Same as C ₈	Degeneration for tube V ₉	
C ₄₁	Same as C ₂₅	Tone control for tubes V ₁₁ and V ₁₂	
C ₄₂	Capacitor, 8 mfd., -3+10%, 650 V. D-C, working (C ₄₂ , C ₄₃ and C ₄₄ in same container) type 7392	Power supply filter	IC 42B043
C ₄₃			
C ₄₄			
C ₄₅	Same as C ₅	Heater by-pass for tube V ₁₅	
C ₄₆	Same as C ₅	Heater by-pass for tube V ₂	
C ₄₇	Same as C ₅	Heater by-pass for tube V ₁	
C ₄₈	Same as C ₈	Power line filter in primary of transformer T ₁₆	
C ₄₉	Same as C ₈	Power line filter in primary of transformer T ₁₆	
C ₅₀	Same as C ₈	Power line filter in primary of transformer T ₁₆	

RA SYMBOL NAME OF PART AND DESCRIPTION MFR. CODE CONTR'S PART NO.

RA SYMBOL	NAME OF PART AND DESCRIPTION	FUNCTION	MFR. CODE	CONTR'S PART NO.
C51	Same as C8	Power line filter in primary of transformer T16		
C52	Same as C4	Plate decoupling for tube V14		
C53	Same as C27	Grid coupling for tube V14		
C54	Capacitor, 200 mmfd., 10%, 500V. D-C, zero temperature coefficient, ceramicon, type 814XL-118	B.F.O. tuning	CRL	47A026
C55	Same as C5	Plate decoupling for tube V15		
C56	Capacitor, 50 mmfd., 10%, 500V. D-C, ceramicon, type 812-109	Plate blocking for tube V15	CRL	47A025
C57	Capacitor, 0.001 mfd., 20%, 500V. D-C, mica, wax sealed, type 1462	Grid coupling for tube V15	A	47BU102F-S
C58	Capacitor, 450 mmfd (nominal), 10%, mica, adjustable, special mounting bracket, special	Padding for transformer T7	UE	44A050
C59	Capacitor, 2 mmfd, twisted wire	Coupling between tubes V6 and V14		
C60	Capacitor, 3.5-23.0 mmfd., variable, air, special type	Pitch control for tube V14	RC	48A064
C61	Same as C4	Screen filter for tube V2		
C62	Same as C8	Plate decoupling for tube V2		
C63	Capacitor, 3-50 mmfd., 5%, 500V. D-C working, adjustable, ceramic, type A	Trimmer for transformer T4	UE	44A049
C64	Same as C63	Trimmer for transformer T5		
C65	Same as C63	Trimmer for transformer T6		
C66	Capacitor, 1-12 mmfd., adjustable, type 22-5230	Trimmer for transformer T7	MN	48A031

C67	Same as C66	Trimmer for transformer T8	
C68	Capacitor, 75-110 mmfd., adjustable, type SD2180, (C68 and C69 part of T10) (C70 and C71 part of T11) (C72 and C73 part of T12) Shown for reference only	Primary trimmer for transformer T10	SI
C69			
C70		Primary trimmer for transformer T11	SI
C71			
C72		Primary trimmer for transformer T12	SI
C73			
C74	Capacitor, 34-67 mmfd., adjustable, type SD2144 (C74 and C75, part of T14) Shown for reference only	Primary trimmer for transformer T14	SI
C75			
C76	Same as C68 and C69 (part of T13) Shown for reference only	Primary trimmer for transformer T13	SI
C77			
C78	Same as C4	Plate decoupling for tube V1	
C79	Same as C5	A.F. balance for transformer T15	
T1	Transformer, 27.8-47 MC, adjustable, air core, type 651	Antenna transformer - Band 1	SWI 51A265

T ₂	Transformer, 46-82 MC, adjustable, air core, type 654	Antenna transformer - Band 2	SWI	51-268
T ₃	Transformer, 82-143 MC, adjustable, air core, type 657	Antenna transformer - Band 3	SWI	51A271
T ₄	Transformer, 27.8-47 MC, adjustable, air core, type 652	R-F transformer - Band 1	SWI	51-266
T ₅	Transformer, 46-82 MC, adjustable, air core, type 655	R-F transformer - Band 2	SWI	51-269
T ₆	Transformer, 82-143 MC, adjustable, air core, type 658	R-F transformer - Band 3	SWI	51-272
T ₇	Transformer, 27.8-47 MC, adjustable, air core, type 653	Oscillator transformer - Band 1	SWI	51-267
T ₈	Transformer, 46-82 MC, adjustable, air core, type 656	Oscillator transformer - Band 2	SWI	51-270
T ₉	Transformer, 82-143 MC, adjustable, air core, type 659	Oscillator transformer - Band 3	SWI	51-273
T ₁₀	Transformer, 5.25 MC, coupling adjustable, iron core, type 663	I-F transformer between tubes V ₂ and V ₃	SWI	50C075
T ₁₁	Transformer, 5.25 MC, coupling adjustable, iron core, type 664	I-F transformer between tubes V ₃ and V ₄	SWI	50C076
T ₁₂	Transformer, 5.25 MC, coupling adjustable, iron core, type 665	I-F transformer between tubes V ₄ and V ₅	SWI	50C077
T ₁₃	Transformer, 5.25 MC, coupling adjustable, iron core, type 666	I-F transformer between tubes V ₅ and V ₆	SWI	50C078
T ₁₄	Transformer, 5.25 MC, coupling adjustable, iron core, type 667	Discriminator transformer	SWI	50C079

GT	55B019	Audio output transformer
T ₁₅		Transformer, primary; push-pull, 2000 ohms plate to plate; secondary; 5000 ohms, tapped at 500 ohms, 600 ohms center tapped, type 3A452
T ₁₆	52C032	A-C power transformer for CHL-46130
	52C058	A-C power transformer for CHL-46130-A and CHL-46130-B
L ₁	56B006	Inductor, 2 henries, 150 ma., d-c resistance 85 ohms, 10%, iron core, type 10C3
L ₂	56B007	Inductor, 10 henries, 80 ma., iron core, type 10C2
L ₃	53-009	Inductor, fixed; dowl wound, type 662
L ₄	53-008	Inductor, 14.5-15.0 microhenries, similar to L ₃ , type 661
L ₅	53A007	Inductor, fixed, shielded, type 660
L ₆		Same as L ₅
L ₇	54-013	Inductor, 5.25 MC, adjustable, iron core, type 668
S ₁	60B044	Switch, 7 section, 3 position, ceramic wafers, rotary, type 7AHC3991E
S ₂	60A116	Switch, 250V., 1 ampere, SPST toggle, 15/32 inch bushing, type 20994
S ₃		Switch, SPST, on the back of R ₁₁
S ₄	25C059	Same as S ₂

S ₅	Same as S ₂	"Send-Receive" (high voltage center tap) of transformer T ₁₆ to ground)	
S ₆	Switch, 250V., 1 ampere, DPST toggle, 15/32 inch bushing, type 8360K2	Noise limiter switch	CH 60A123
S ₇	Switch, 3 section, 3 position, rotary, type QH3AC	Selectivity switching	OM 60B043
S ₈	Switch, single section rotary, type 18383QH	AM-FM selecting switch	OM 60B045
S ₉	Switch, single section rotary, type 18869-53	Tone switching	OM 60B050
M ₁	Meter, micro ammeter, 160-0-40 microamperes, type #701	AM-FM tuning meter	BE 82A006
TS ₁	Terminal strip, black bakelite, marked A ₁ , A ₂	Antenna terminal strip	H 8A039
TS ₂	Terminal strip, black bakelite, marked 5000	5000 ohm speaker terminal strip	H 8A040
TS ₃	Terminal strip, black bakelite, marked 500	500 ohm speaker terminal strip	H 8A041
TS ₄	Terminal strip, mica-filled bakelite, marked 600 OHM, GND., C.T.	600 ohm winding center tap terminal for external ground connection	H 8A072
P ₁	Plug, bakelite, octal, shorting plug	Power supply shorting plug for A-C operation	AP 35A003
P ₂	Plug with line cord, 2 conductor, rubber covered, length 6 feet, spring type moulded on plug, type 1750	A-C line connection	B 87A125

SO ₁	Socket, bakelite, octal, type MIP-8, marked PWR	D-C power supply connection	AP	60A050
SO ₂	Socket, two circuit, type 4002T	Standby connection	AL	10A015
SO ₃	Socket, concentric line, type 83-IR	Panoramic adapter receptacle	AP	10A056
J ₁	Jack, std. tip and sleeve, type ST-1003, $\frac{1}{2}$ inch shank	Headphone connection	U	36B008
LM ₁	Lamp, 6.3V. 250 ma., bayonet base, type #44	Main tuning dial light	GE	39A003
LM ₂	Same as LM ₁	Vernier scale dial		
LM ₃	Lamp, 6.3V. 150 ma., bayonet base, type #47	Tuning meter dial illumination	GE	39A004
V ₁	Tube, acorn, pentode, type 956	R-F amplifier	RCA	90X956
V ₂	Tube, acorn, pentode, type 954	1st detector	RCA	90X954
V ₃	Tube, pentode, type 6AC7	1st I-F amplifier	RCA	90X6AC7
V ₄	Tube, pentode, type 6AB7	2nd I-F amplifier	RCA	90X6AB7
V ₅	Tube, pentode, type 6SK7	3rd I-F amplifier	RCA	90X6SK7
V ₆	Tube, duo-diode, type 6H6	2nd detector and A-N-L	RCA	90X6H6
V ₇	Same as V ₃	F-M limiter		
V ₈	Same as V ₆	F-M discriminator		
V ₉	Tube, duo-triode, type 6SL7GT	Audio amplifier	RCA	90X6SL7GT
V ₁₀	Tube, gas filled diode, type VR-150	Voltage regulator	RCA	90XVR-150
V ₁₁	Tube, beam power amplifier, type 6V6GT	Audio output	RCA	90X6V6GT
V ₁₂	Same as V ₁₁	Audio output		
V ₁₃	Tube, duo-diode, type 5U4G	Plate supply rectifier	RCA	90X5U4G
V ₁₄	Tube, triode amplifier, type 6J5	Beat frequency oscillator	RCA	90X6J5
V ₁₅	Tube, acorn, triode, type 955	High frequency oscillator	RCA	90X955

G. INDEX TO PARTS MANUFACTURERS

SYMBOL	MANUFACTURER	SYMBOL	MANUFACTURER
A	Aerovox Corp. New Bedford, Mass.	HH	Hart & Hegeman Electric Co Hartford, Conn.
AL	Alden Manufacturing Co. Brockton, Mass.	IC	Industrial Condenser Chicago, Illinois
AP	American Phenolic Corp. Chicago, Illinois	IRC	International Resistance Co. Philadelphia, Pa.
B	Belden Mfg. Co. Chicago, Illinois	MN	Meissner Manufacturing Co. Mt. Carmel, Illinois
BE	Beede Electrical Instrument Co. Chicago, Illinois	OM	Oak Manufacturing Chicago, Illinois
CD	Cornell-Dubilier Electric Corp. South Plainfield, N. J.	RC	Radio Condenser Corp. Chicago, Illinois
CH	Cutler-Hammer Milwaukee, Wis.	RCA	RCA Manufacturing Co., Inc. Camden, N. J.
CRL	Centralab Milwaukee, Wis.	SI	F. W. Sickles Co. Springfield, Mass.
CT	Chicago Telephone Supply Co. Chicago, Illinois	ST	Standard Transformer Corp. Chicago, Illinois
ER	Erie Resistor Erie, Pa.	SWI	S. W. Inductor Co. Chicago, Illinois
GE	General Electric Co. Chicago, Illinois	U	Utah Products Company Chicago, Illinois
GT	General Transformer Corp. Chicago, Illinois	UE	Underwood Electric Co. Chicago, Illinois
H	The Hallicrafters Co. Chicago, Illinois		

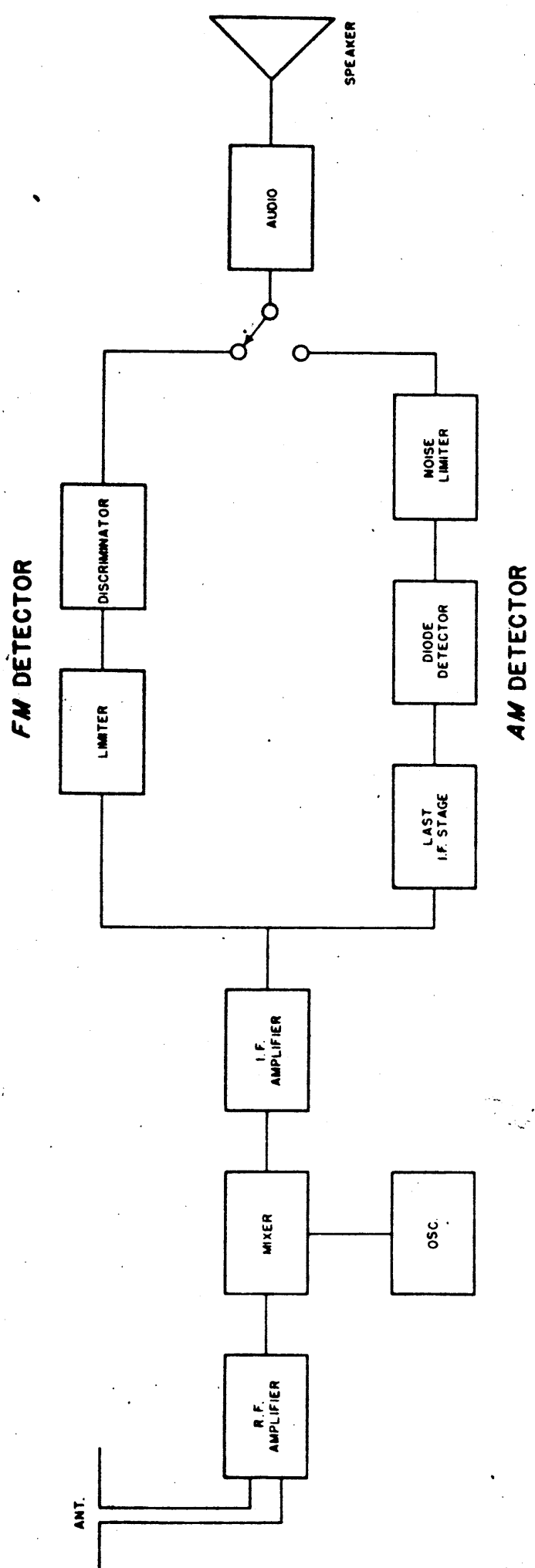
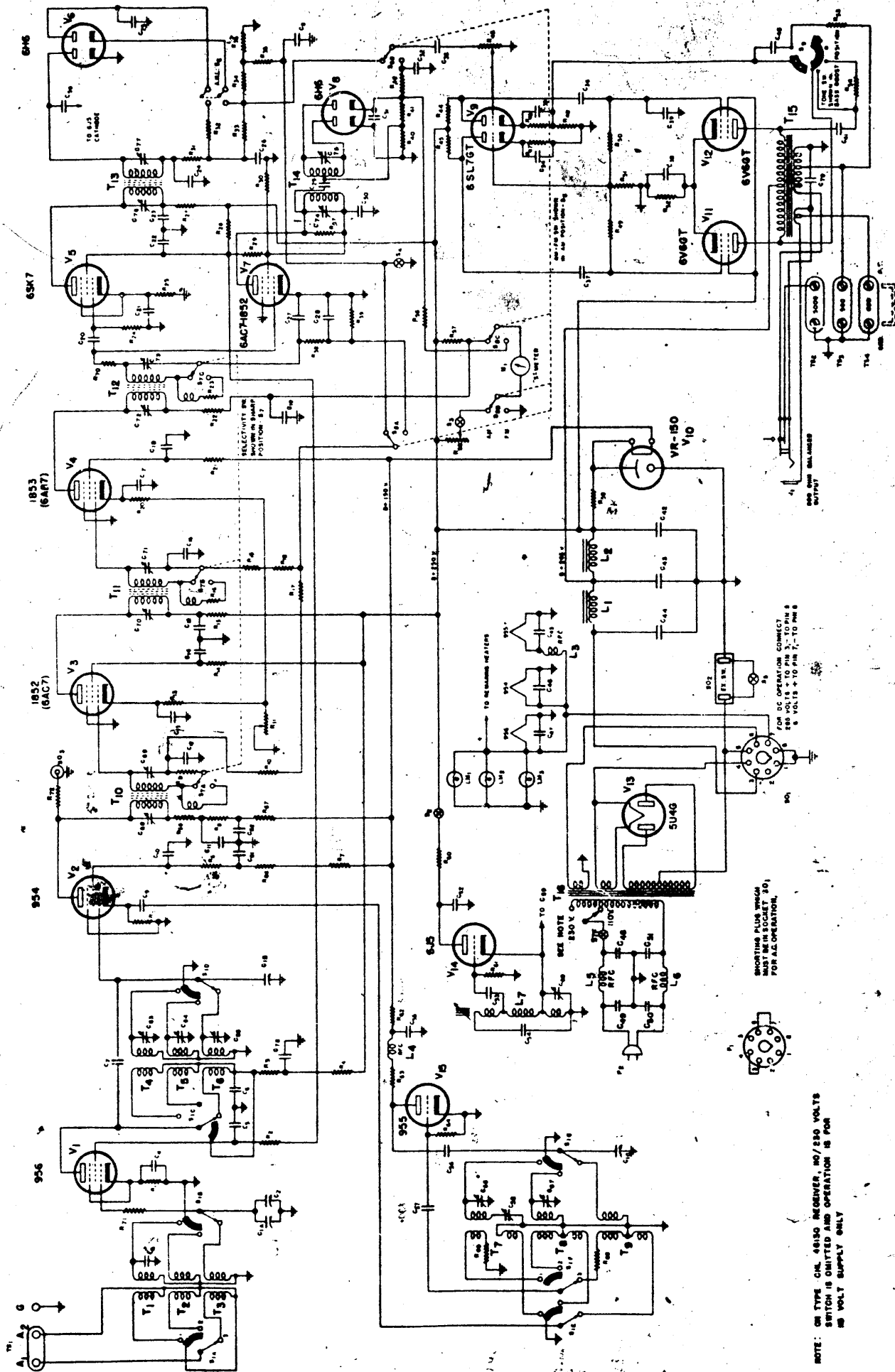


Fig. 1 - CHL-46130 Receiver - Block diagram



NOTE: ON TYPE CHL 46130 RECEIVER, NO/250 VOLTS SWITCH IS OMITTED AND OPERATION IS FOR 100 VOLT SUPPLY ONLY

Fig. 2 - CHL-46130 Receiver - Schematic

BOTTOM

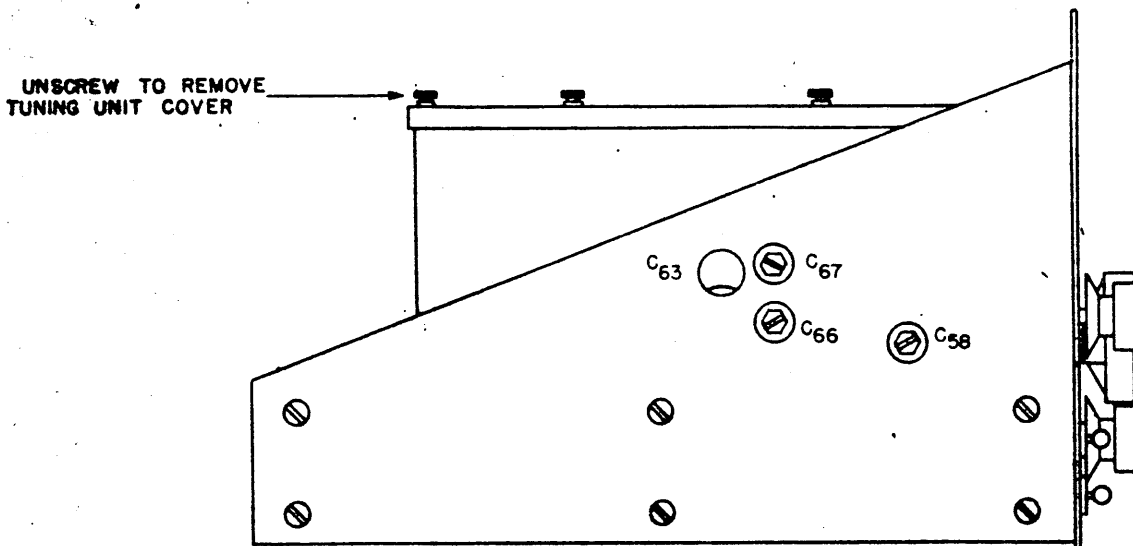
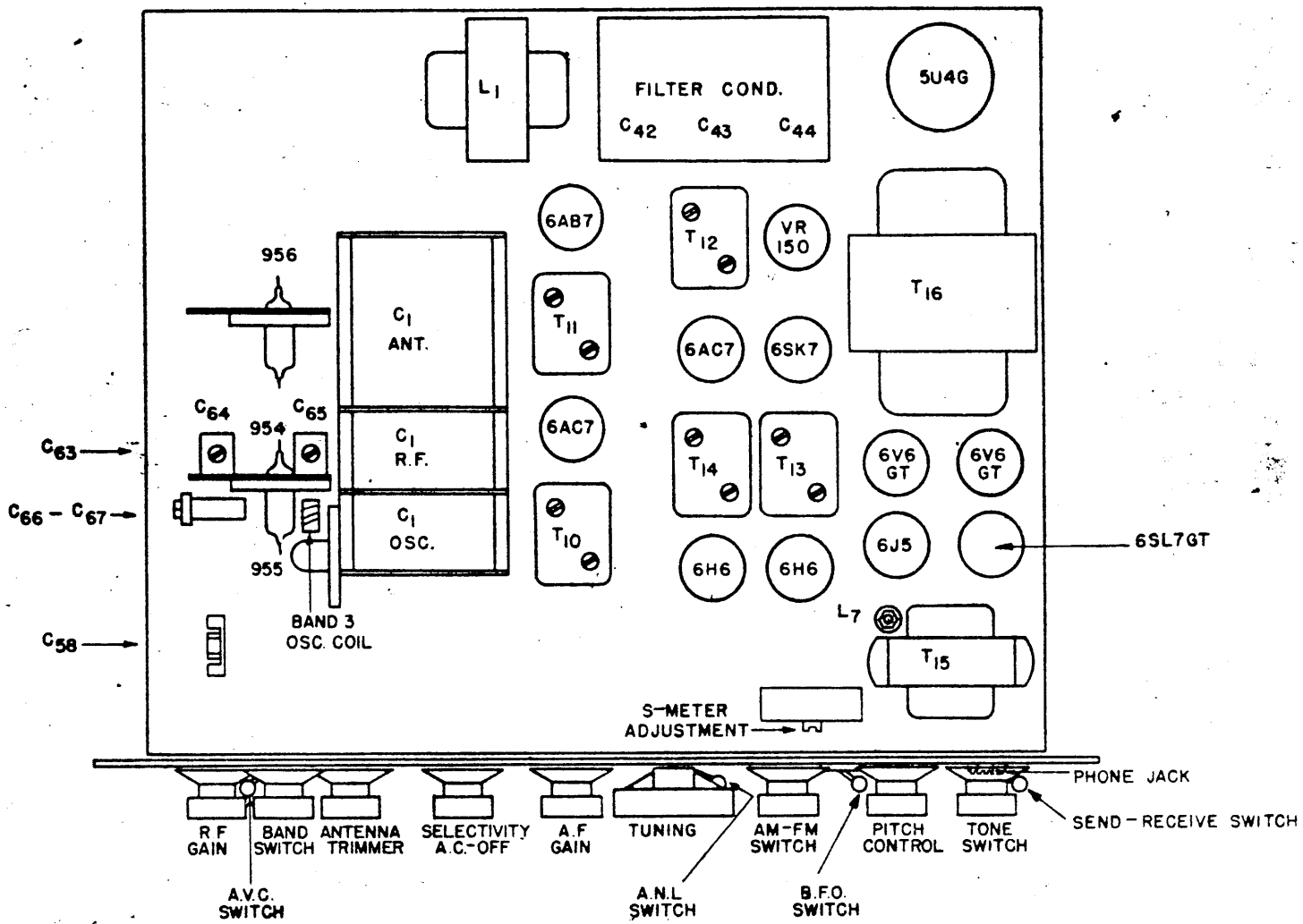
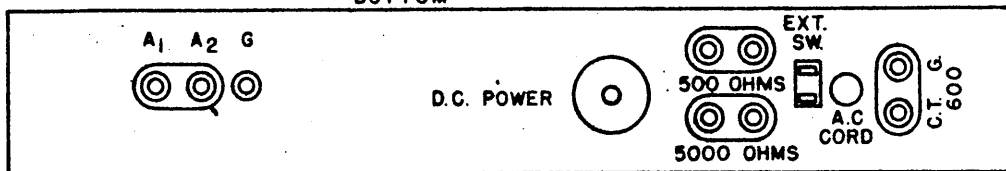


Fig. 3 - CHL-46130 Receiver - Location of important parts

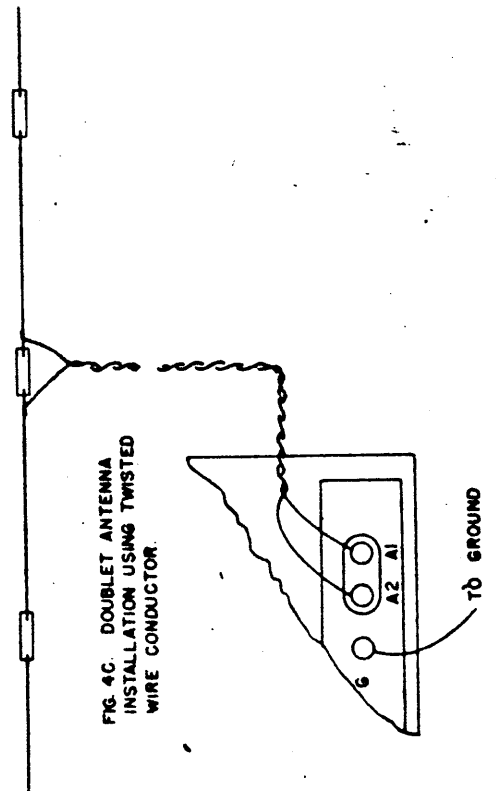
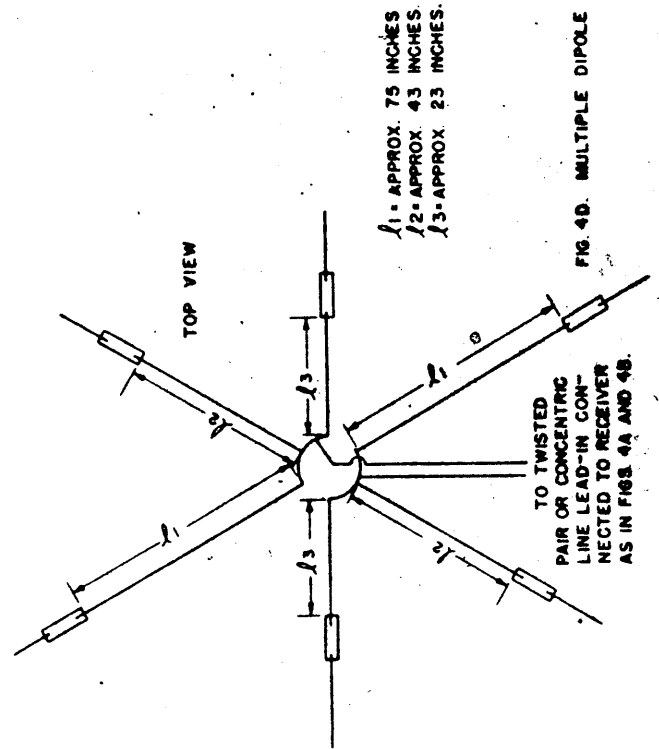
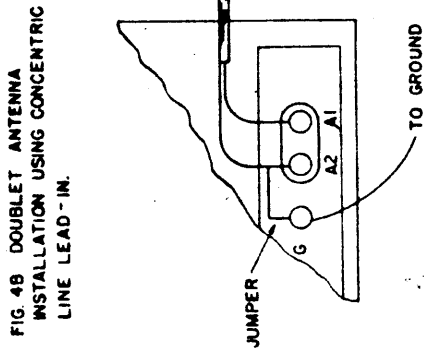
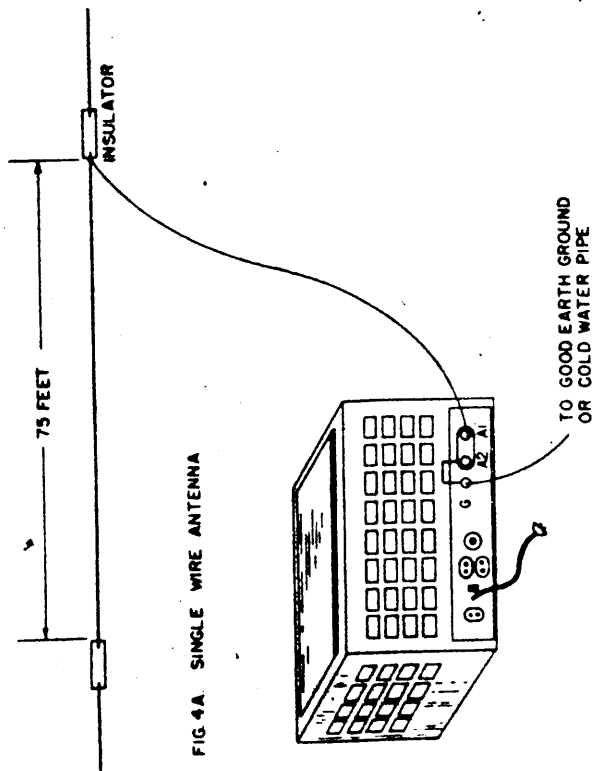


Fig. 4 - Model RBK-() Antenna installation

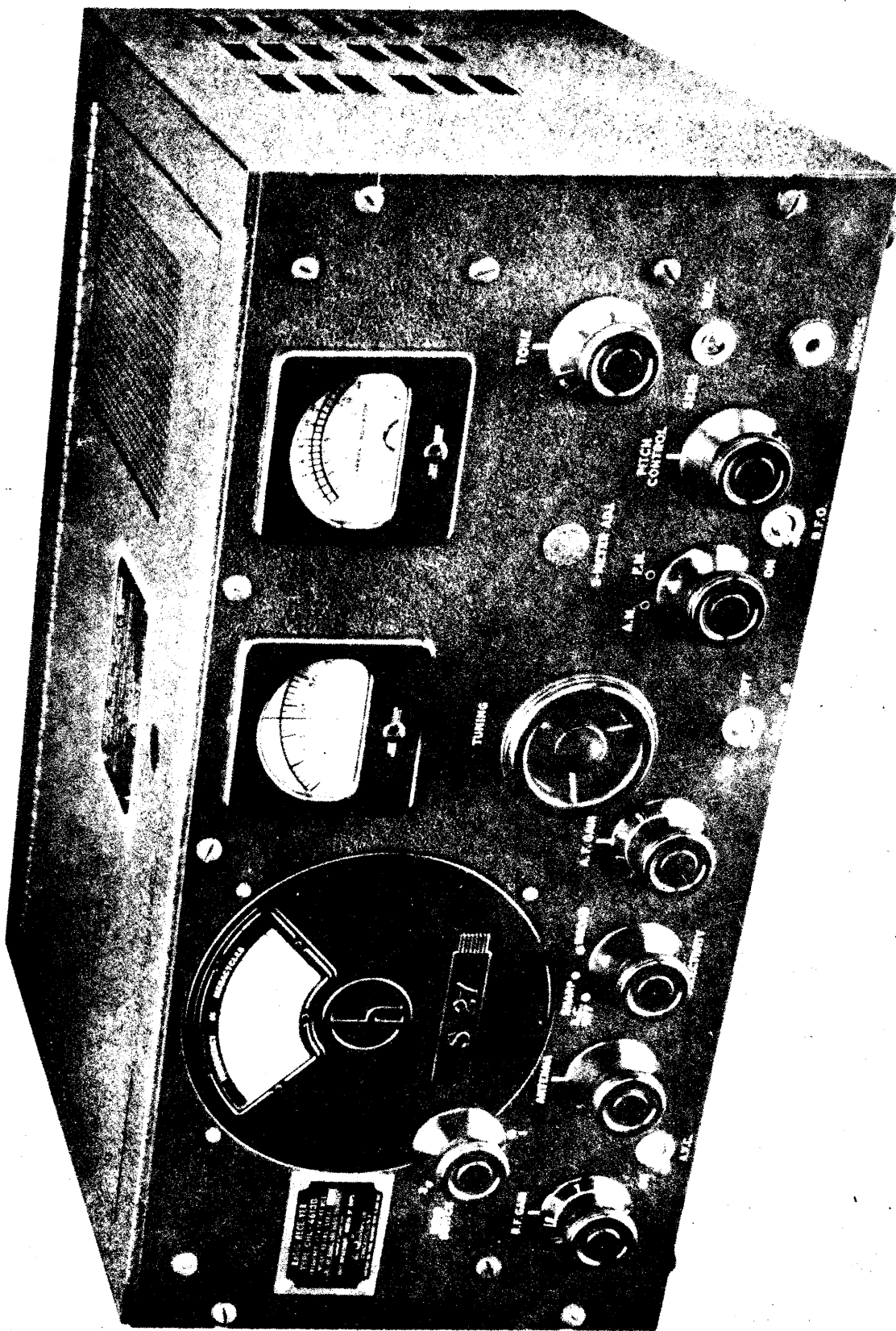


Fig. 5 - Model RBK-() Front View

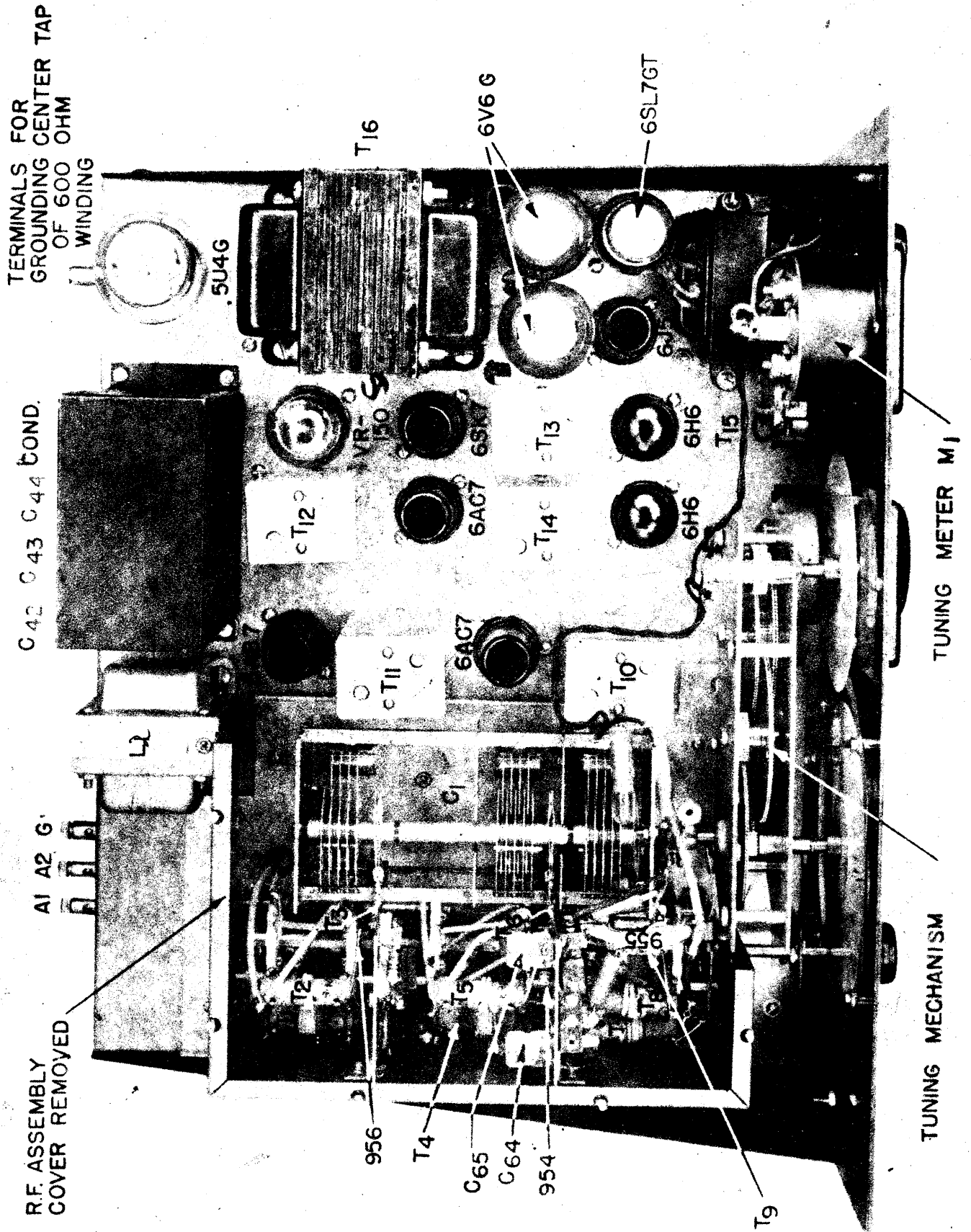


Fig. 6 - CHL-46130 Receiver - Top View

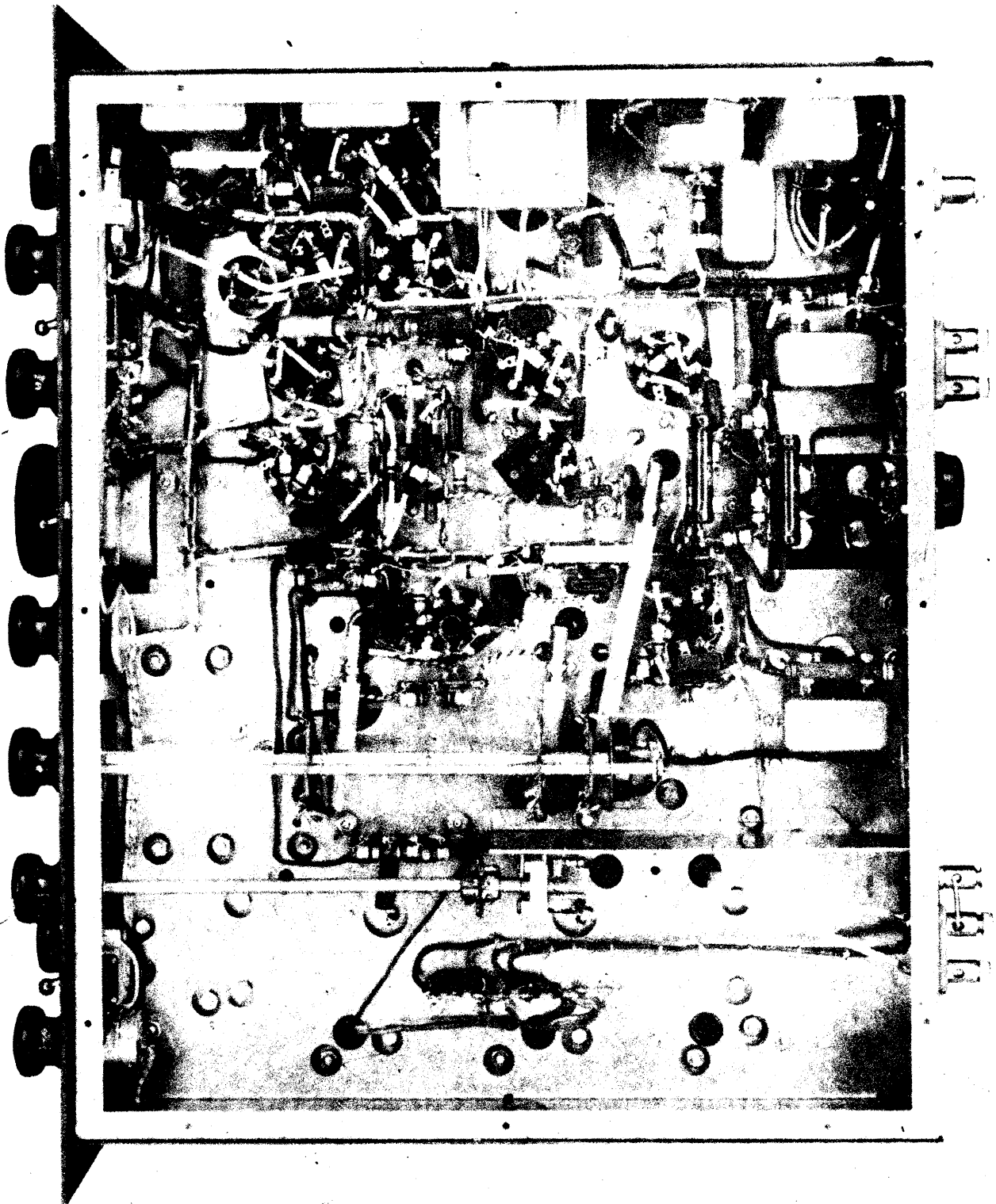


Fig. 7 - CHL-46130 Receiver - Bottom View

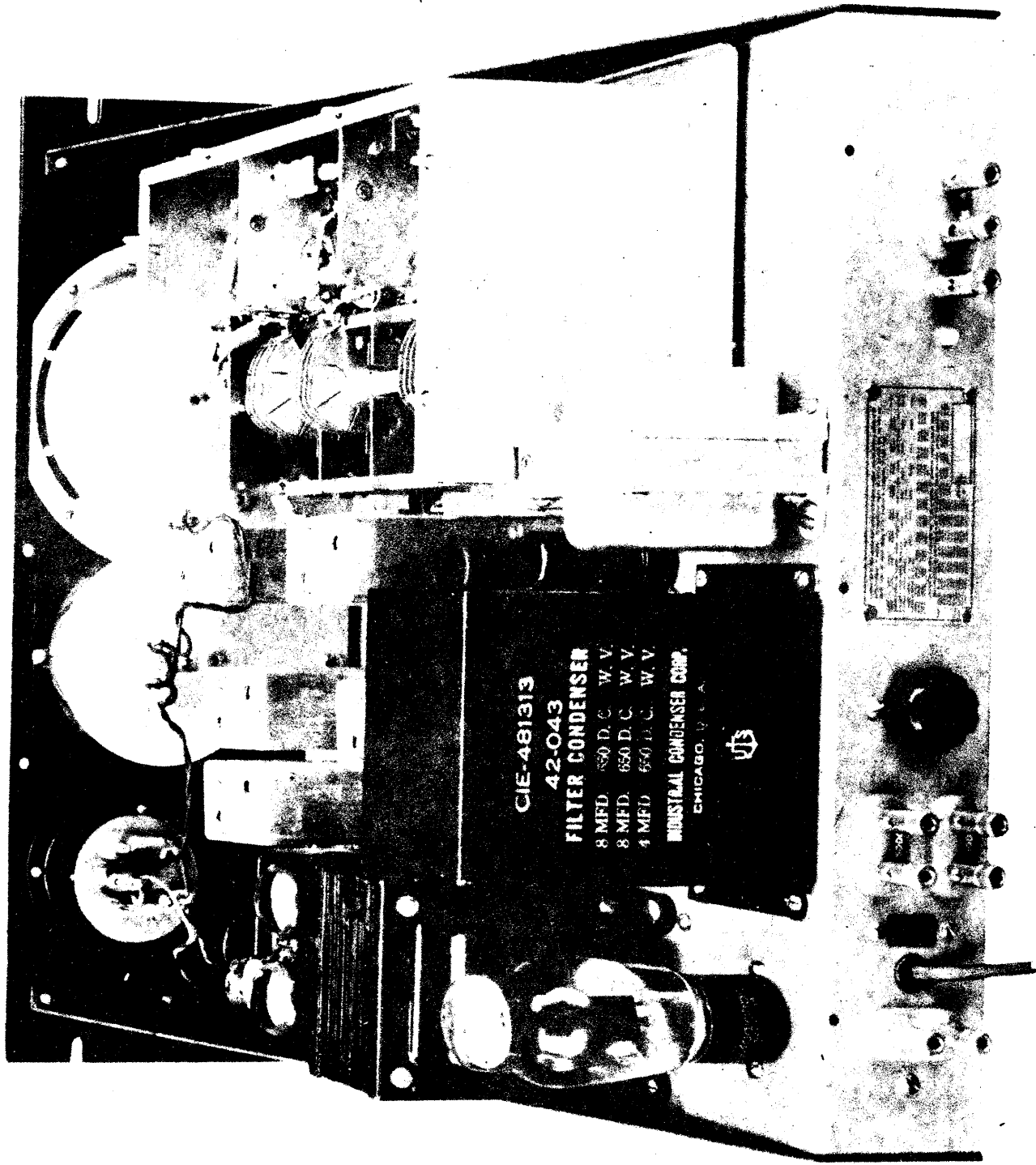
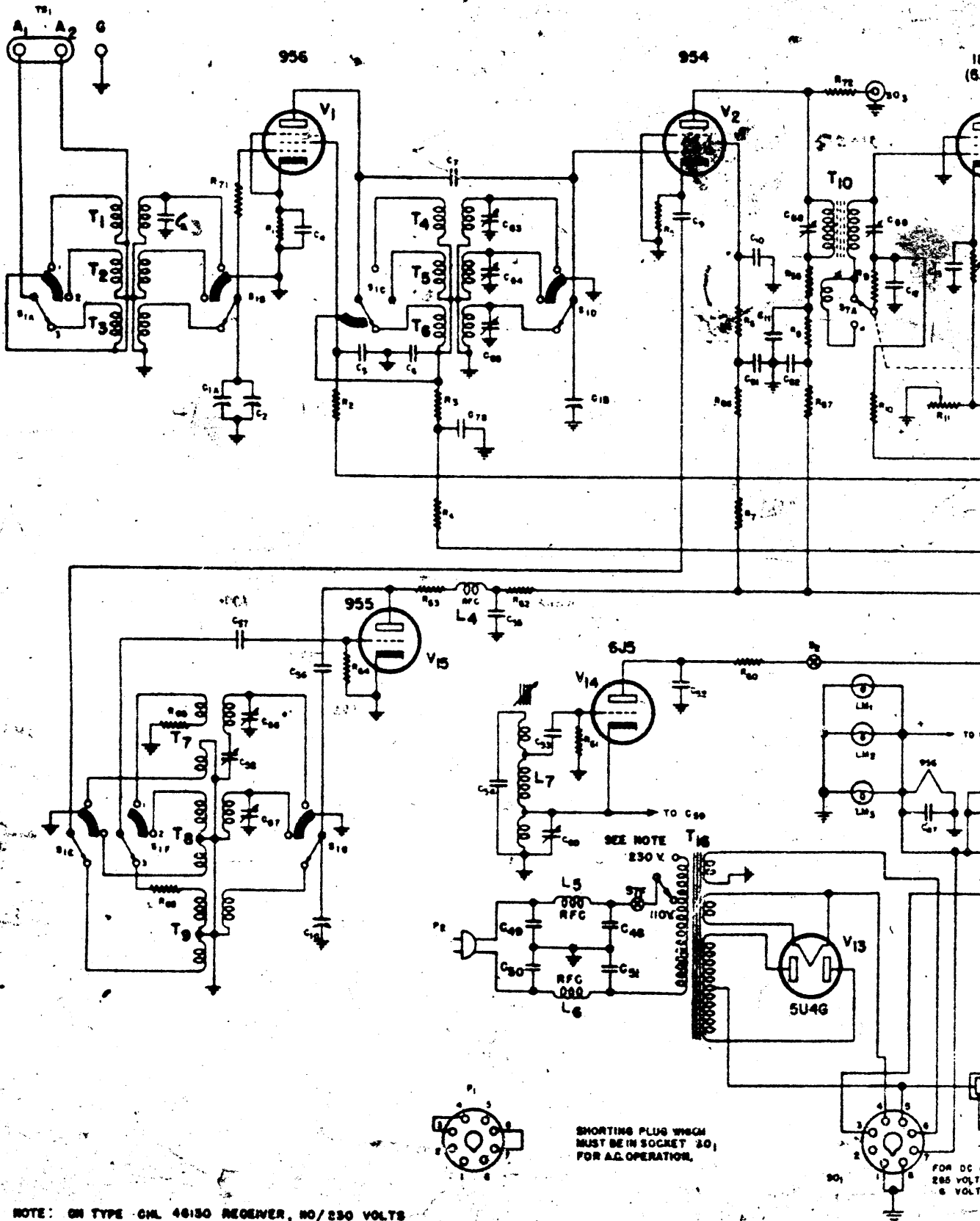


Fig. 8 - CHL-46130 Receiver - Rear View

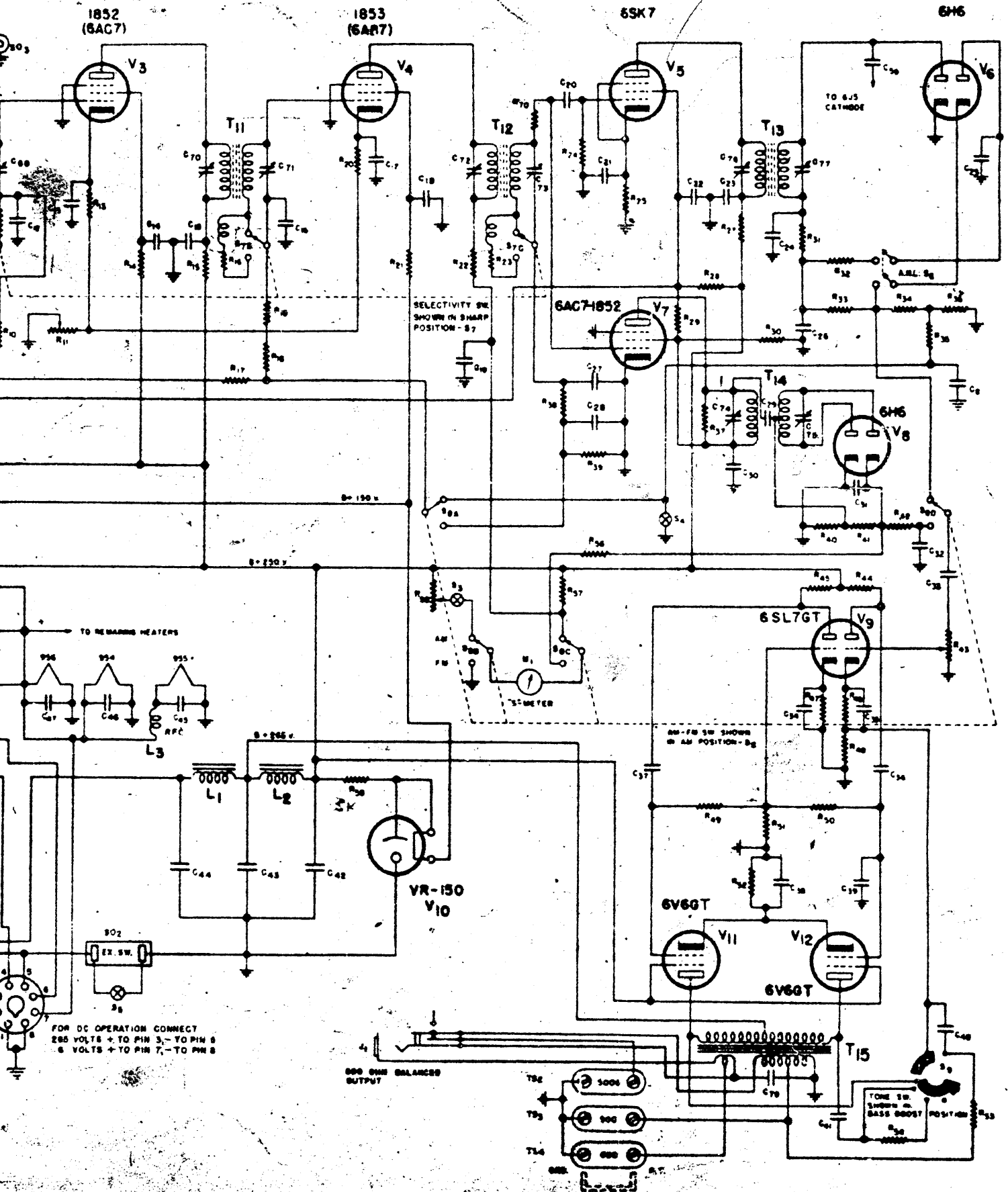
Fig. 2 - CHL-46130 Receiver - Schematic



NOTE: ON TYPE CHL 46130 RECEIVER, NO/230 VOLTS SWITCH IS OMITTED AND OPERATION IS FOR 115 VOLT SUPPLY ONLY

SHORTING PLUG WHICH MUST BE IN SOCKET 20, FOR A.C. OPERATION.

FOR DC 285 VOLT 6 VOLT



1852
(6AC7)

1853
(6AR7)

6SK7

6X6

SELECTIVITY SW
SHOWN IN SHARP
POSITION - S7

6AC7-1852

6SL7GT

6V6GT

6V6GT

6V6GT

FOR DC OPERATION CONNECT
285 VOLTS + TO PIN 3, - TO PIN 6
6 VOLTS + TO PIN 7, - TO PIN 8

TONE SW
SHOWN IN
BASS BOOST
POSITION

500 OHM BALANCED
OUTPUT

500 OHM
A.C.

TO REARM HEATERS

EX. SW.

3-METER

TO 4.5
CATHODE

B = 150 V

B = 250 V

B = 355 V

AM-FM SW SHOWN
IN AM POSITION - S8

500 OHM BALANCED
OUTPUT

500 OHM
A.C.

TONE SW
SHOWN IN
BASS BOOST
POSITION

TO REARM HEATERS

EX. SW.

3-METER

TO 4.5
CATHODE

B = 150 V

B = 250 V

B = 355 V

AM-FM SW SHOWN
IN AM POSITION - S8

500 OHM BALANCED
OUTPUT

500 OHM
A.C.

TONE SW
SHOWN IN
BASS BOOST
POSITION