

GENERAL PURPOSE RECEIVER

MODEL GPR-92(A)

The Model GPR-92(A) is the same as the Model GPR-92, with the following exceptions:

(1) Front panel CAL switch has been converted from a pushbutton switch to a single-pole, single-throw toggle switch.

(2) Tunable transformers T103 through T108 have been removed and replaced with fixed components, which include inductors L28 through L30, L32 through L34 and antenna transformer T103.

(3) Rear apron has been changed to accommodate a 72 ohm or a 300 ohm antenna input as well as a source output voltage, available at +105 volts d-c.

(4) Electron tubes V103 and V107 have been converted from 6CD6 and 6AU6A to 6AB4 and 6AH6, respectively.

(5) Rectifier diodes CR101 through CR104 have been deleted and replaced with four encapsulated diodes, type DD130-160-1.5.

(6) Changes in table 5-1, for electron tube V103 and CAL switch S103, are given below:

TABLE 5-1. VOLTAGE AND RESISTANCE MEASUREMENTS

TUBE	V or R	PIN								
		1	2	3	4	5	6	7	8	9
V103 (note 12)	V	160	0	6.3 vac	0	0	0	1.5	-	-
	R	34K	0	0	0	-	100K	240	-	-

Note: 1. Set CAL switch to the up (on) position while checking these readings.

(7) Schematic diagram CK1090, sheets 1, 2 and 3 for the GPR-92(A), replaces figure 7-1, sheets 1, 2 and 3, respectively.

(8) The parts list provided with this addendum reflects the modifications necessary for the GPR-92(A).

SECTION 6

PARTS LIST

6-1 INTRODUCTION

The parts list presented in this section is a cross-reference list of parts identified by a reference designation and TMC part number. In most cases, parts appearing on schematic diagrams are assigned reference designations in accordance with MIL-STD-16. Wherever practicable, the reference designation is marked on the equipment, close to the part it identifies. In most cases, mechanical and electro-mechanical parts have TMC part numbers stamped on them.

To expedite delivery when ordering any part, specify the following:

a. Generic name.

b. Reference designation.

c. TMC part number.

d. Model and serial numbers of the equipment containing the part being replaced; this can be obtained from the equipment nameplate.

For replacement parts not covered by warranty (refer to warranty sheet in front of manual), address all purchase orders to:

The Technical Materiel Corporation
 Attention: Sales Department
 700 Fenimore Road
 Mamaroneck, New York

REF SYMBOL	DESCRIPTION	TMC PART NUMBER
C101	CAPACITOR, FIXED, CERAMIC DIELECTRIC: 100,000 uuf, +80% -20%; 500 WVDC.	CC100-32
C102	Same as C101.	
C103	CAPACITOR, FIXED, CERAMIC DIELECTRIC: 5,000 uuf, GMV; 500 WVDC.	CC100-15
C104	CAPACITOR, FIXED, CERAMIC DIELECTRIC: 1,000 uuf, GMV; 500 WVDC.	CC100-29
C105	CAPACITOR, FIXED, CERAMIC DIELECTRIC: 20,000 uuf, +80% -20%; 500 WVDC.	CC100-24
C106	Same as C105.	
C107	CAPACITOR, FIXED, CERAMIC DIELECTRIC: 10,000 uuf, GMV; 500 WVDC.	CC100-16

PARTS LIST (CONT)

REF SYMBOL	DESCRIPTION	TMC PART NUMBER
C108	NOT USED	
C109	Same as C105.	
C110	Same as C104.	
C111	Same as C104.	
C112	Same as C104.	
C113	Same as C104.	
C114	Same as C105.	
C115	Same as C104.	
C116	Same as C104.	
C117	CAPACITOR, FIXED, MICA DIELECTRIC: 150 uuf, ±2%; 500 WVDC; Char. F.	CM15F151G03
C118	Same as C117.	
C119	CAPACITOR, FIXED, CERAMIC DIELECTRIC: 200,000 uuf, +80% -20%; 50 WVDC.	CC100-33
C120	CAPACITOR, FIXED, CERAMIC DIELECTRIC: 3,000 uuf, GMV; 2,000 WVDC.	CC100-31
C121A, B	CAPACITOR, FIXED, ELECTROLYTIC: dual section; 45 uf each section; 350 WVDC; polarized; tubular case; octal plug-in type.	CE52C450P
C122	Same as C101.	
C123	CAPACITOR, FIXED, CERAMIC DIELECTRIC: 5 uuf, ±0.25 uuf; 500 WVDC.	CC21SL050C
C124	CAPACITOR, VARIABLE, CERAMIC DIELECTRIC: 7-45 uuf; 500 WVDC; Char. C.	CV11C450
C125	Same as C107.	

PARTS LIST (CONT)

REF SYMBOL	DESCRIPTION	TMC PART NUMBER
C126	CAPACITOR, FIXED, MICA DIELECTRIC: 220 uuf, ±5%; 500 WVDC; Char. C.	CM15C221J
C127	CAPACITOR, FIXED, MICA DIELECTRIC: 68 uuf, ±5%; 500 WVDC; Char. E.	CM15E680J03
C128	Same as C127.	
C129	CAPACITOR, VARIABLE, AIR DIELECTRIC: 2.8-17 pf; 5 plates; extended rotor shaft	CB174
C130	Same as C123.	
C131	Same as C123.	
C132	CAPACITOR, FIXED, CERAMIC DIELECTRIC: 47 uuf, ±10%; 500 WVDC, Part of T112.	CC21SL470K
C133	Same as C101.	
C134	Same as C107.	
C135	Same as C107.	
C136	Same as C107.	
C137	Same as C107.	
C138	CAPACITOR, FIXED, CERAMIC DIELECTRIC: 1,000 uuf, ±10%; 500 WVDC.	CC100-9
C139	CAPACITOR, FIXED, MICA DIELECTRIC: 56 uuf, ±2%; 500 WVDC, Char. C.	CM15C560G03
C140	Same as C139.	
C141	CAPACITOR, FIXED, MICA DIELECTRIC: 110 uuf, ±2%; 500 WVDC, Char. F.	CM15F111G03
C142	Same as C107.	
C143	Same as C123.	

PARTS LIST (CONT)

REF SYMBOL	DESCRIPTION	TMC PART NUMBER
C144	Same as C103.	
C145	Same as C107.	
C146	CAPACITOR, VARIABLE, CERAMIC DIELECTRIC: 4.5 - 25 uuf; 500 WVDC; Char. A.	CV11A250
C147	CAPACITOR, VARIABLE, CERAMIC DIELECTRIC: 3-12 uuf; 500 WVDC; Char. A.	CV11A120
C148	Same as C146.	
C149	Same as C146.	
C150	Same as C146.	
C151	CAPACITOR, VARIABLE, AIR DIELECTRIC: 1.5-7 uuf; 500 WVDC; Char. A.	CV11A070
C152A, B, C	CAPACITOR, VARIABLE, AIR DIELECTRIC: bandsread, 3 sections; I A) 6.6-6.8 uuf, B) 7.4-12.8 uuf, C) 6.9-38.5 uuf; II A) 5.9-6.2 uuf, B) 7.3-12.8 uuf, C) 7.0-38.6 uuf; III A) 5.9-6.3 uuf, B) 7.4-12.7 uuf, C) 7.1-38.6 uuf, ±0.5 uuf.	CB131
C153A, B, C	CAPACITOR, VARIABLE, AIR DIELECTRIC: three main sections; six sub-sections: three with 11 plates; three with 15 plates; 8.5-135 uuf each 11 plate section; 10.5- 189 uuf each 15 plate section.	CB130
C154	Same as C105.	
C155	Same as C107.	
C156	Same as C107.	
C157	CAPACITOR, FIXED, MICA DIELECTRIC: 1600 uuf, ±1%; 500 WVDC; Char. D. Part of T113.	CM20D162F
C158	Same as C107.	
C159	Sam as C107.	

PARTS LIST (CONT)

REF SYMBOL	DESCRIPTION	TMC PART NUMBER
C160	CAPACITOR, FIXED, MICA DIELECTRIC: 180 uuf, ±5%; 500 WVDC; Char. C. Part of T110.	CM15C181J
C161	Same as C123.	
C162	CAPACITOR, FIXED, CERAMIC DIELECTRIC: 22 uuf, ±10%; 500 WVDC. Part of T117.	CC21SL220K
C163	Same as C107.	
C164	Same as C146.	
C165	Same as C146.	
C166	Same as C146.	
C167	Same as C146.	
C168	Same as C147.	
C169	Same as C151.	
C170	Same as C147.	
C171	Same as C147.	
C172	Same as C147.	
C173	Same as C146.	
C174	CAPACITOR, VARIABLE, GLASS DIELECTRIC: 0.7-12 uuf, ±75%; 1,000 WVDC.	CV108-2
C175	Same as C174.	
C176	CAPACITOR, FIXED, MICA DIELECTRIC: 430 uuf, ±1%; 500 WVDC; Char. D.	CM20D431F
C177	CAPACITOR, FIXED, MICA DIELECTRIC: 1300 uuf, ±2%; 500 WVDC; Char. C.	CM20C132G
C178	CAPACITOR, FIXED, CERAMIC DIELECTRIC: 180 uuf, ±5%; 500 WVDC. Part of T120.	CC35UJ181J

PARTS LIST (CONT)

REF SYMBOL	DESCRIPTION	TMC PART NUMBER
C179	CAPACITOR, FIXED, CERAMIC DIELECTRIC: 750 uuf, ±5%; 500 WVDC. Part of T120.	CC45UJ751J
C180	Same as C179. Part of T120.	
C181	CAPACITOR, FIXED, MICA DIELECTRIC: 100 uuf, ±5%; 500 WVDC; Char. F. Part of T121.	CM15F101J03
C182	CAPACITOR, FIXED, CERAMIC DIELECTRIC: 220 uuf, ±5%; 500 WVDC. Part of T121.	CC45SH221J
C183	CAPACITOR, FIXED, CERAMIC DIELECTRIC: 91 uuf, ±5%; 500 WVDC. Part of T121.	CC35CG910J
C184	CAPACITOR, FIXED, CERAMIC DIELECTRIC: 330 uuf, ±5%; 500 WVDC. Part of T123.	CC45SH331J
C185	CAPACITOR, FIXED, CERAMIC DIELECTRIC: 100 uuf, ±5%; 500 WVDC. Part of T123.	CC32SH101J
C186	CAPACITOR, FIXED, CERAMIC DIELECTRIC: 390 uuf, ±5%; 500 WVDC. Part of T124.	CC45SH391J
C187	CAPACITOR, FIXED, CERAMIC DIELECTRIC: 390 uuf, ±5%; 500 WVDC. Part of T124.	CC45TH391J
C188	CAPACITOR, FIXED, CERAMIC DIELECTRIC: 47 uuf, ±5%; 500 WVDC.	CC21UJ470J
C189	CAPACITOR, VARIABLE, AIR DIELECTRIC: one section, 5 plates; 1.5 to 5 uuf.	CB122-1
C190	Same as C138.	
C191	Same as C103.	
C192	CAPACITOR, FIXED, MICA DIELECTRIC: 470 uuf, ±5%; 500 WVDC; Char. C.	CM15C471J
C193	Same as C103.	
C194	NOT USED	

PARTS LIST (CONT)

REF SYMBOL	DESCRIPTION	TMC PART NUMBER
C195	Same as C107.	
C196	CAPACITOR, FIXED, MICA DIELECTRIC: 27 uuf, ±5%; 500 WVDC; Char. C.	CM15C270J
C197	CAPACITOR, FIXED, CERAMIC DIELECTRIC: 2.2 uuf, ±1%; 500 WVDC.	CC101-9
C198	Same as C103.	
C199	Same as C105.	
C200	Same as C103.	
C201	Same as C107.	
C202	Same as C107.	
C203	Same as C107.	
C204	Same as C138.	
C205	Same as C107.	
C206	Same as C103.	
C207	Same as C103.	
C208	CAPACITOR, FIXED, ELECTROLYTIC: 8 uf; 350 WVDC; with clear vinyl plastic sleeve; hermetically sealed aluminum case without mounting strap.	CE116-3VN
C209	CAPACITOR, FIXED, CERAMIC DIELECTRIC: 3 uuf, ±0.25 uuf; 500 WVDC; Char. SL.	CC21SL030C
C210	CAPACITOR, FIXED, MICA DIELECTRIC: 820 uuf, ±1%; 500 WVDC; Char. D.	CM20D821F
C211	Same as C107.	
C212	Same as C181.	
C213	Same as C103.	

PARTS LIST (CONT)

REF SYMBOL	DESCRIPTION	TMC PART NUMBER
C214	Same as C192.	
C215	Same as C103.	
C216	CAPACITOR, FIXED, MICA DIELECTRIC: 430 uuf, ±5%; 500 WVDC; Char. F.	CM15F431J03
C217	Same as C181.	
C218	Same as C103.	
C219	Same as C105.	
C220	CAPACITOR, FIXED, MICA DIELECTRIC: 270 uuf, ±5%; 500 WVDC; Char. F.	CM15F271J03
C221	CAPACITOR, FIXED, MICA DIELECTRIC: 150 uuf, ±5%; 500 WVDC; Char. C.	CM15C151J
C222	Same as C103.	
C223	Same as C107.	
C224	Same as C101.	
C225	Same as C107.	
C226	Same as C101.	
C227	Same as C103.	
C228	Same as C103.	
C229	CAPACITOR, FIXED, CERAMIC DIELECTRIC: 100 uuf, ±10%; 500 WVDC; Char. SL.	CC26SL101K
C230	Same as C103.	
C231	Same as C105.	

PARTS LIST (CONT)

REF SYMBOL	DESCRIPTION	TMC PART NUMBER
C232	Same as C104.	
C233	Same as C101.	
C234	Same as C105.	
C235	Same as C101.	
C236	Same as C101.	
C237	Same as C229.	
C238	Same as C105.	
C239	Same as C105.	
C240	Same as C229.	
C241	Same as C101.	
C242	Same as C107.	
C243	Same as C101.	
C244	Same as C107.	
C245	Same as C105.	
C246	Same as C107.	
C247	Same as C101.	
C248	Same as C132.	
C249	CAPACITOR, FIXED, MICA DIELECTRIC: 18 uuf, ±10%; 500 WVDC; Char. SL.	CC21SL180K
C250	CAPACITOR, FIXED, MICA DIELECTRIC: 68 uuf, ±5%; 500 WVDC; Char. C.	CM15C680J
C251	CAPACITOR, FIXED, MICA DIELECTRIC: 5 uuf, ±5%; 500 WVDC; Char. C.	CM15C050J

PARTS LIST (CONT)

REF SYMBOL	DESCRIPTION	TMC PART NUMBER
C252	Same as C181.	
C253	Same as C101.	
C254	Same as C250.	
C255	CAPACITOR, FIXED, METALIZED PAPER DIELECTRIC: high temperature; .47 uf, ±10%; 200 WVDC.	CP106C474-2
C256	Same as C120.	
C257	Same as C104.	
C258	Same as C101.	
C259	Same as C103.	
C260	Same as C103.	
C261	Same as C220.	
C262	CAPACITOR, FIXED, ELECTROLYTIC: 25 uf, -10% +150% at 120 cps at 25° C; 50 WVDC; polarized; insulated tubular case.	CE105-25-50
C263	Same as C105.	
C264	Same as C262.	
C265	CAPACITOR, FIXED, CERAMIC DIELECTRIC: 1,500 uuf, GMV; 500 WVDC.	CC100-10
C266A, B	CAPACITOR, FIXED, ELECTROLYTIC: dual section; 20 uf each section; 350 WVDC; polarized; tubular case; octal plug-in type.	CE52C200P
C267	Same as C103.	
C268	Same as C119.	
C269	CAPACITOR, FIXED, SILVERED MICA DIELECTRIC: 270 uuf, ±1%; 500 WVDC. Part of BFO Network, Z101.	CM200E271F

PARTS LIST (CONT)

REF SYMBOL	DESCRIPTION	TMC PART NUMBER
C270	CAPACITOR, FIXED, MICA DIELECTRIC: 150 uuf, ±10%; 500 WVDC; Char. C. Part of BFO Network, Z101.	CM15C151K
C271	Same as C101. Part of BFO Network, Z101.	
C272	Same as C103. Part of BFO Network, Z101.	
C273	Same as C147.	
C274	Same as C126.	
C275	Same as C126.	
C276	CAPACITOR, FIXED, CERAMIC DIELECTRIC: 4.7 uuf, ±1 uuf; 500 WVDC.	CC20RH4R7F
C277	CAPACITOR, VARIABLE, CERAMIC DIELECTRIC: 5-11 uuf; 200 WVDC; 500 min. Q at 1 Mc; low loss steatite ceramic base.	CV112-3
C278	CAPACITOR, FIXED, MICA DIELECTRIC: 51 uuf, ±5%; 500 WVDC; Char. C.	CM15C510J03
C279	NOT USED	
C280	Same as C123.	
C281	Same as C141.	
C282	Same as C107.	
C283	CAPACITOR, FIXED, MICA DIELECTRIC: 330 uuf, ±10%; 500 WVDC; Char. B.	CM15B331K
C284	CAPACITOR, FIXED, CERAMIC DIELECTRIC: 100,000 uuf, +80% -20%; 100 WVDC.	CC100-28
CR101	SEMICONDUCTOR, RECTIFIER, BRIDGE: 600 volts, PRV; 420 V RMS input voltage; 1.5 amps forward current; DC output current 1.5 amps at 50°C or 1.0 amps at 100°C; peak full wave, one cycle surge current 15 amps; recurrent peak forward current 50 amps; max forward voltage drop 1 V at 100°C; molded plastic case.	DD130-600-1.5

PARTS LIST (CONT)

REF SYMBOL	DESCRIPTION	TMC PART NUMBER
CR102 thru CR104	NOT USED	
CR105	SEMICONDUCTOR DEVICE, DIODE: germanium; max. peak inverse voltage 60 volts; continuous average forward current 50 ma; max. peak forward current 150 ma; max. surge current 500 ua; max. inverse current 500 ua at 50 volts or 30 ua at 10 volts.	1N34A
CR106	SEMICONDUCTOR DEVICE, DIODE: silicon; max. peak inverse voltage 175 volts; 30 ma at 25°C and 15 ma at 150°C; two axial wire lead type terminals; hermetically sealed glass case.	1N463
CR107	Same as CR105.	
DS101	LAMP, INCANDESCENT: 6-8 volts; 0.15 amp; T-3-1/4 frosted bulb; miniature bayonet base.	BI101-47
DS102	Same as DS101.	
DS103	Same as DS101.	
DS104	Same as DS101.	
DS105	Same as DS101.	
E101	TERMINAL BOARD, BARRIER: 18 terminals; 6-32 thread x 1/4" long binder head screws; phenolic black bakelite.	TM100-18
EV101	SHIELD, ELECTRON TUBE: brass or copper, nickel plated; 2-1/4" high x 0.930" dia; tension spring, twist lock type.	TS102U03
EV102	SHIELD, ELECTRON TUBE: brass or copper, nickel plated; 1-3/4" high x 0.930" dia; tension spring, twist lock type.	TS102U02
EV103	Same as EV102.	
EV104	Same as EV102.	

PARTS LIST (CONT)

REF SYMBOL	DESCRIPTION	TMC PART NUMBER
EV105	Same as EV102.	
EV106	Same as EV101.	
EV107	Same as EV102.	
EV108	Same as EV102.	
EV109	SHIELD, ELECTRON TUBE: brass or copper, nickel plated; 1-15/16" high x 1.079" dia; tension spring, twist lock type.	TS103U02
EV110	Same as EV102.	
EV111	SHIELD, ELECTRON TUBE: brass or copper, nickel plated; 1-3/8" high x 0.930" dia; tension spring, twist lock type.	TS102U01
EV112	Same as EV109.	
EV113	Same as EV109.	
EV114	Same as EV102.	
EV115	Same as EV109.	
EV116	Same as EV102.	
EV117	Same as EV109.	
F101	FUSE, CARTRIDGE: 1-1/2 amps; time lag; 1-1/4" long x 1/4" dia; slow blow.	FU102-1.5
FL101	FILTER, BANDPASS: inductance 90-100 uh; coil resistance approx. 3.5 ohms; test frequency 790 Kc; consists of two 1,000 uuf and one 5 uuf capacitors, and one 68,000 ohm, 1/2 watt resistor.	FX167
FL102	FILTER, VARIABLE, BANDPASS: frequency 455 Kc; steel case.	FX177

PARTS LIST (CONT)

REF SYMBOL	DESCRIPTION	TMC PART NUMBER
J101	CONNECTOR, RECEPTACLE, ELECTRICAL: 2 male contacts; rated for 250 volts at 10 amps or 125 volts at 15 amps; polarized; twist lock.	JJ175
J102	NOT USED	
J103	JACK, TELEPHONE: normally closed.	JJ132
J104	CONNECTOR, RECEPTACLE, ELECTRICAL: RF; 1 round female contact, straight type; 52 ohms; series BNC to BNC.	UG625B/U
J105	Same as J104.	
J106	Same as J104.	
J107	Same as J104.	
J108	Same as J104.	
J109	Same as J104.	
K101	RELAY, ARMATURE: SPDT; 10,000 ohms, $\pm 10\%$ resistance; contact rating 1 amp at 28 VDC or 115 VAC non-inductive; max. coil power 1 watt; min. coil power .040 watt.	RL142
L1 thru L27	NOT USED	
L28	COIL, RADIO FREQUENCY: fixed; 26.4 uhy (23.8-29.0); frequency (test) 2.5 Mc; powdered iron core.	CL180
L29	COIL ASSEMBLY, RF: fixed 13.2 uhy (11.9-14.5); frequency 2.5 Mc; powdered iron core.	A1077
L30	Same as L28.	
L31	NOT USED	

PARTS LIST (CONT)

REF SYMBOL	DESCRIPTION	TMC PART NUMBER
L32	COIL ASSEMBLY, RF: fixed; 5.57 uhy (5.32-5.82); frequency 7.9 Mc; powdered iron core.	A1345
L33	Same as L32.	
L34	Same as L32.	
L101	FILTER, CHOKER: 6.5 hy min.; 170 ohms DC resistance; current rated at 170 ma DC; insulated for 2,500 volts; metal case.	TF289
L102	COIL ASSEMBLY: RF; tuned; 5 uuf. 4,700 ohms resistance; frequency, 7.9 Mc; steatite.	AC152
L103	COIL ASSEMBLY: RF; tuned; 5 uuf, 22,000 ohms resistance; frequency, 7.9 Mc; steatite.	AC153
L104	COIL ASSEMBLY: RF; fixed; 3.03 uhy (2.88-3.18); frequency 7.9 Mc; powdered iron core.	A1344
L105	COIL, RADIO FREQUENCY: fixed; 8.2 uh, $\pm 10\%$; 2.1 ohms DC resistance; molded case.	CL240-8.2
L106	CORE, TOROID: bead type; powdered iron.	CI120-1
L107	COIL, RADIO FREQUENCY: fixed; 39 uh, $\pm 10\%$; 2.0 ohms DC resistance; molded case.	CL240-39
L108	NOT USED	
L109	COIL, RADIO FREQUENCY: fixed; inductance rated at 17 uh, $\pm 20\%$; powdered iron core; 2 axial wire lead type terminals.	CL322
L110	COIL, RF: fixed; 100 uh; 2.6 ohms DC resistance; current rating 345 ma; molded case.	CL275-101
L111	COIL, RADIO FREQUENCY: fixed; $Q=85$ at 7.95 Mcs; L is smaller than 9 uhy; R=0.	CL306
L112	NOT USED	

PARTS LIST (CONT)

REF SYMBOL	DESCRIPTION	TMC PART NUMBER
L113	NOT USED	
L114	COIL ASSEMBLY: RF; tuned; 5 uuf, 15,000 ohms resistance; frequency, 7.9 Mc; steatite.	AC154
M101	METER, AUDIO LEVEL: 0-1 ma movement; 46 ohms resistance; 2-1/2" square metal case; with lampholder XDS101.	MR153
P101	CONNECTOR, PLUG, ELECTRICAL: twist lock type; polarized; two female contacts; midget size; brown bakelite; 10 amps at 250 volts; straight type. Part of power supply cable, W101.	PL176
P102	CONNECTOR, PLUG, ELECTRICAL: 3 flat male contacts; polarized; with removable ground connection; power plug. Part of power supply cable, W101.	PL218
R101	RESISTOR, FIXED, COMPOSITION: 10 ohms, $\pm 10\%$; 1 watt.	RC32GF100K
R102	RESISTOR, FIXED, COMPOSITION: 22 ohms, $\pm 10\%$; 2 watts.	RC42GF220K
R103	RESISTOR, FIXED, WIREWOUND: 3,000 ohms, $\pm 1\%$; max. continuous temperature rating 275°C; 10 watts.	RE65G3001
R104	RESISTOR, FIXED, COMPOSITION: 1,000,000 ohms, $\pm 10\%$; 1/2 watt.	RC20GF105K
R105	RESISTOR, FIXED, COMPOSITION: 820,000 ohms, $\pm 10\%$; 1/2 watt.	RC20GF824K
R106	RESISTOR, FIXED, COMPOSITION: 100,000 ohms, $\pm 10\%$; 1/2 watt.	RC20GF104K
R107	RESISTOR, FIXED, COMPOSITION: 10 ohms, $\pm 5\%$; 1/2 watt. Part of T103.	RC20GF100J
R108	Same as R106.	
R109	RESISTOR, FIXED, COMPOSITION: 220 ohms, $\pm 5\%$; 1/2 watt.	RC20GF221J

PARTS LIST (CONT)

REF SYMBOL	DESCRIPTION	TMC PART NUMBER
R110	RESISTOR, VARIABLE, COMPOSITION: 5,000 ohms, ±10%; char. E, taper F; 1 watt, consists of switch S101, SPST normally open; 7/8" shaft length; rated at 3.0 amps at 117 VAC.	RV4NBYS502E
R111	RESISTOR, FIXED, COMPOSITION: 47 ohms, ±5%; 1/2 watt.	RC20GF470J
R112	RESISTOR, FIXED, COMPOSITION: 4,700 ohms, ±5%; 1/2 watt.	RC20GF472J
R113	RESISTOR, FIXED, COMPOSITION: 22,000 ohms, ±5%; 1 watt.	RC32GF223J
R114	RESISTOR, FIXED, COMPOSITION: 15,000 ohms, ±5%; 1 watt. Part of T112.	RC32GF153J
R115	RESISTOR, FIXED, COMPOSITION: 10,000 ohms, ±5%; 1 watt.	RC32GF103J
R116	RESISTOR, FIXED, COMPOSITION: 120,000 ohms, ±10%; 1/2 watt.	RC20GF124K
R117	Same as R107.	
R118	RESISTOR, FIXED, COMPOSITION: 100 ohms, ±10%; 1/2 watt.	RC20GF101K
R119	RESISTOR, FIXED, COMPOSITION: 4,700 ohms, ±10%; 1/2 watt.	RC20GF472K
R120	RESISTOR, FIXED, COMPOSITION: 1,000 ohms, ±10%; 1/2 watt. Part of T116.	RC20GF102K
R121	RESISTOR, FIXED, COMPOSITION: 15,000 ohms, ±5%; 2 watts.	RC42GF153J
R122	Same as R121. Part of T117.	
R123	RESISTOR, FIXED, COMPOSITION: 820 ohms, ±10%; 1 watt.	RC32GF821K

PARTS LIST (CONT)

REF SYMBOL	DESCRIPTION	TMC PART NUMBER
R124	RESISTOR, FIXED, COMPOSITION: 22,000 ohms, ±10%; 1/2 watt.	RC20GF223K
R125	Same as R111.	
R126	NOT USED	
R127	Same as R106.	
R128	RESISTOR, FIXED, COMPOSITION: 220,000 ohms, ±10%; 1/2 watt.	RC20GF224K
R129	RESISTOR, FIXED, COMPOSITION: 2,200 ohms, ±10%; 1/2 watt.	RC20GF222K
R130	RESISTOR, FIXED, COMPOSITION: 27,000 ohms, ±10%; 1/2 watt.	RC20GF273K
R131	RESISTOR, FIXED, COMPOSITION: 39,000 ohms, ±10%; 1/2 watt.	RC20GF393K
R132	RESISTOR, FIXED, COMPOSITION: 100 ohms, ±5%; 1/2 watt.	RC20GF101J
R133	NOT USED	
R134	RESISTOR, FIXED, COMPOSITION: 680 ohms, ±10%; 1/2 watt.	RC20GF681K
R135	Same as R134.	
R136	RESISTOR, FIXED, COMPOSITION: 470 ohms, ±10%; 1/2 watt.	RC20GF471K
R137	RESISTOR, FIXED, COMPOSITION: 1,000 ohms, ±10%; 1 watt.	RC32GF102K
R138	RESISTOR, FIXED, COMPOSITION: 56 ohms, ±10%; 1/2 watt.	RC20GF560K

PARTS LIST (CONT)

REF SYMBOL	DESCRIPTION	TMC PART NUMBER
R139	Same as R109.	
R140	Same as R136.	
R141	Same as R104.	
R142	RESISTOR, FIXED, COMPOSITION: 1,200 ohms, $\pm 10\%$; 1/2 watt.	RC20GF122K
R143	Same as R111.	
R144	RESISTOR, FIXED, COMPOSITION: 68,000 ohms, $\pm 10\%$; 1/2 watt.	RC20GF683K
R145	Same as R124.	
R146	Same as R129.	
R147	RESISTOR, FIXED, COMPOSITION: 150,000 ohms, $\pm 10\%$; 1/2 watt.	RC20GF154K
R148	Same as R106.	
R149	RESISTOR, FIXED, COMPOSITION: 120 ohms, $\pm 10\%$; 1/2 watt.	RC20GF121K
R150	RESISTOR, VARIABLE, COMPOSITION: 500 ohms, $\pm 20\%$; Char. B, taper A; 2 watts.	RV4LAYS A501B
R151	RESISTOR, FIXED, COMPOSITION: 47,000 ohms, $\pm 10\%$; 1/2 watt.	RC20GF473K
R152	RESISTOR, FIXED, COMPOSITION: 2,200 ohms, $\pm 10\%$; 1 watt.	RC32GF222K
R153	Same as R147.	
R154	Same as R106.	
R155	RESISTOR, FIXED, COMPOSITION: 180,000 ohms, $\pm 10\%$; 1/2 watt.	RC20GF184K
R156	Same as R149.	

PARTS LIST (CONT)

REF SYMBOL	DESCRIPTION	TMC PART NUMBER
R157	RESISTOR, VARIABLE, COMPOSITION: 5 meg. ohms, +20%; Char. B, taper A; 2 watts; consists of switch S106, normally open; 3/4" shaft length; rated at 3.0 amps at 117 VAC.	RV4NBYS505-BYY
R158	Same as R152.	
R159	RESISTOR, FIXED, COMPOSITION: 12,000 ohms, ±10%; 1/2 watt.	RC20GF123K
R160	Same as R151.	
R161	Same as R106.	
R162	RESISTOR, VARIABLE, COMPOSITION: 500,000 ohms, ±20%; Char. B, taper A; 2 watts.	RV4NAYSA504-BYY
R163	RESISTOR, FIXED, COMPOSITION: 82,000 ohms, ±10%; 1/2 watt.	RC20GF823K
R164	RESISTOR, FIXED, COMPOSITION: 82,000 ohms, ±10%; 1 watt.	RC32GF823K
R165	Same as R155.	
R166	Same as R107.	
R167	RESISTOR, FIXED, COMPOSITION: 180 ohms, ±10%; 1/2 watt.	RC20GF181K
R168	Same as R111.	
R169	Same as R119.	
R170	RESISTOR, FIXED, COMPOSITION: 4,700 ohms, ±10%; 1 watt.	RC32GF472K
R171	Same as R106.	
R172	Same as R109.	
R173	Same as R130.	

PARTS LIST (CONT)

REF SYMBOL	DESCRIPTION	TMC PART NUMBER
R174	RESISTOR, FIXED, COMPOSITION: 56,000 ohms, ±10%; 1/2 watt.	RC20GF563K
R175	Same as R151.	
R176	RESISTOR, FIXED, COMPOSITION: 2,700 ohms, ±10%; 1 watt.	RC32GF272K
R177	RESISTOR, FIXED, COMPOSITION: 33,000 ohms, ±10%; 1/2 watt.	RC20GF333K
R178	RESISTOR, FIXED, COMPOSITION: 3,300 ohms, ±10%; 1 watt.	RC32GF332K
R179	Same as R177.	
R180	RESISTOR, FIXED, COMPOSITION: 22,000 ohms, ±10%; 2 watts.	RC42GF223K
R181	Same as R106.	
R182	Same as R151.	
R183	Same as R142.	
R184	Same as R142. Part of T114.	
R185	Same as R104.	
R186	Same as R104.	
R187	Same as R155.	
R188	Same as R155.	
R189	Same as R131.	
R190	RESISTOR, FIXED, COMPOSITION: 1,500 ohms, ±10%; 1/2 watt.	RC20GF152K
R191	RESISTOR, FIXED, COMPOSITION: 8,200 ohms, ±10%; 1/2 watt.	RC20GF822K

PARTS LIST (CONT)

REF SYMBOL	DESCRIPTION	TMC PART NUMBER
R192	RESISTOR, FIXED, COMPOSITION: 330 ohms, $\pm 10\%$; 1/2 watt.	RC20GF331K
R193	RESISTOR, FIXED, COMPOSITION: 10,000 ohms, $\pm 10\%$; 1/2 watt.	RC20GF103K
R194	Same as R142.	
R195	RESISTOR, FIXED, COMPOSITION: 82,000 ohms, $\pm 10\%$; 2 watts.	RC42GF823K
R196	RESISTOR, VARIABLE, COMPOSITION: 2.5 meg. ohms, $\pm 10\%$; Char. A, taper A; 2 watts.	RV4LAYS A255A
R197	Same as R193.	
R198	Same as R142.	
R199	Same as R118.	
R200	Same as R150.	
R201	Same as R162.	
R202	RESISTOR, VARIABLE, COMPOSITION: 500,000 ohms, $\pm 20\%$; Char. D, taper C; 1 watt.	RV4NAYS A504- DYY
R203	Same as R116.	
R204	Same as R129.	
R205	RESISTOR, FIXED, COMPOSITION: 220,000 ohms, $\pm 10\%$; 1 watt.	RC32GF224K
R206	Same as R124.	
R207	RESISTOR, FIXED, COMPOSITION: 5,600 ohms, $\pm 10\%$; 1/2 watt.	RC20GF562K
R208	Same as R128.	
R209	RESISTOR, FIXED, COMPOSITION: 270 ohms, $\pm 10\%$; 2 watts.	RC42GF271K

PARTS LIST (CONT)

REF SYMBOL	DESCRIPTION	TMC PART NUMBER
R210	RESISTOR, VARIABLE, COMPOSITION: 250,000 ohms, $\pm 20\%$; Char. B, taper A; 2 watts.	RV4LAYS A254B
R211	RESISTOR, FIXED, COMPOSITION: 390,000 ohms, $\pm 10\%$; 1/2 watt.	RC20GF394K
R212	RESISTOR, FIXED, COMPOSITION: 270 ohms, $\pm 10\%$; 1 watt.	RC32GF271K
R213	Same as R212.	
R214	RESISTOR, FIXED, COMPOSITION: 270 ohms, $\pm 10\%$; 1/2 watt.	RC20GF271K
R215	Same as R111.	
R216	Same as R111.	
R217	Same as R214.	
R218	RESISTOR, VARIABLE, COMPOSITION: 50 ohms, $\pm 20\%$; Char. B, taper A; 2 watts.	RV4NAYSC500-BYY
R219	RESISTOR, FIXED, COMPOSITION: 22 ohms, $\pm 10\%$; 1 watt.	RC32GF220K
R220	Same as R111. Part of BFO Network, Z101.	
R221	Same as R155. Part of BFO Network, Z101.	
R222	Same as R129. Part of BFO Network, Z101.	
R223	Same as R130.	
R224	Same as R191.	
R225	Same as R149.	
R226	RESISTOR, FIXED, COMPOSITION: 39 ohms, $\pm 10\%$; 1/2 watt.	RC20GF390K
R227	Same as R107.	

PARTS LIST (CONT)

REF SYMBOL	DESCRIPTION	TMC PART NUMBER
R228	Same as R163. Part of T110.	
R229	Same as R142. Part of T110.	
R230	RESISTOR, FIXED, COMPOSITION: 68,000 ohms, ±5%; 1/2 watt.	RC20GF683J
R231	RESISTOR, FIXED, COMPOSITION: 15,000 ohms, ±10%; 1/2 watt.	RC20GF153K
R232	Same as R120.	
S101	Non-replaceable item. Part of R110.	
S102A	SWITCH SECTION, ROTARY: (part of A5427) shorting, rotary type; front section, 4 contacts (1 common), rear section, 4 contacts (1 common), bakelite insulation; brass terminals, silver plated.	WS100-1
S102B	SWITCH SECTION, ROTARY: (part of A5427) shorting, rotary type; front section, 3 contacts (1 common), rear section, 8 contacts (1 common), bakelite insulation; brass terminals, silver plated.	WS100-7
S102C	SWITCH SECTION, ROTARY: (part of A3334) shorting, rotary type; front section, 7 contacts (1 common), rear section, 7 contacts (1 common), bakelite insulation; brass terminals, silver plated.	WS100-2
S102D	SWITCH SECTION, ROTARY: (part of A3334) shorting, rotary type; front section, 8 contacts (1 common), rear section, 8 contacts, bakelite insulation; brass terminals, silver plated.	WS100-3
S102E	Same as S102C.	
S102F	Same as S102D.	
S102G	SWITCH SECTION, ROTARY: (part of A3335) shorting type contacts; silver plated brass terminals.	WS124-1

PARTS LIST (CONT)

REF SYMBOL	DESCRIPTION	TMC PART NUMBER
S102H	SWITCH SECTION, ROTARY: (part of A3336) shorting, rotary type; front section, 7 contacts (1 common), rear section, 7 contacts (1 common), bakelite insulation; brass terminals, silver plated.	WS100-4
S102J	SWITCH SECTION, ROTARY: (part of A3336) shorting, rotary type; front section, 8 contacts (1 common), rear section, 8 contacts, bakelite insulation; brass terminals, silver plated.	WS100-5
S103	SWITCH, TOGGLE: SPST; rated for 3 amps at 250 volts or 6 amps at 125 volts; bat type handle.	ST103-1-62
S104	Same as S103.	
S105	SWITCH, TOGGLE: DPDT; rated for 3 amps at 250 VAC/VDC or 6 amps at 125 VAC/VDC; bat type handle.	ST103-24-62
S106	Non-replaceable item. Part of R157.	
S107	Same as S103.	
S108	Same as S103.	
S109A, B	SWITCH, ROTARY: 2 sections, 3 positions, 30° angle of throw; non-shorting type contacts.	SW335
S110	SWITCH, PUSHBUTTON: SPDT; break-made contact type; power rating 250 ma; non-inductive; AC; 30 watts max. ; nickel plated brass.	SW296-1
S111A, B	SWITCH, ROTARY, CERAMIC: 2 sections, 6 positions, 30° angle of throw; shorting type contacts; silver plated brass contacts and rotor.	SW289
T101	TRANSFORMER, POWER: primary- 95-125V/190-250VAC, ±10% at 50/60 cps; single phase; secondary- A) 220 VAC at 170 amps, B) 6.3 VAC at 6 amps; hermetically sealed rectangular steel case.	TF235
T102	TRANSFORMER, AUDIO OUTPUT: primary- max. current 50 ma; max. power output 3 watts; high pot rating, 1,500 volts at 60 cps; hermetically sealed rectangular steel case.	TF234

PARTS LIST (CONT)

REF SYMBOL	DESCRIPTION	TMC PART NUMBER
T103	TRANSFORMER, ANTENNA: frequency range 2-32 Mcs; input impedance 70-300 ohms balanced-unbalanced; output impedance 300 ohms unbalanced.	TR116
T104 thru T108	NOT USED	
T109	TRANSFORMER ASSEMBLY, RADIO FREQUENCY: tuned; inductance, pri = 138 uh, sec = 195 uh; frequency pri and sec = 790 Kc.	TT179
T110	TRANSFORMER ASSEMBLY, RADIO FREQUENCY: tuned; inductance, pri = 32.5 uh, sec = 27.5 uh; frequency, pri and sec = 2.5 Mc; consists of one capacitor, C160 and two resistors, R228, R229.	TT180
T111	TRANSFORMER ASSEMBLY, RADIO FREQUENCY: tuned; inductance, pri = 190 uh, sec = 9.7 uh; frequency, pri = 790 Kc, sec = 2.5 Mc.	TT181
T112	TRANSFORMER ASSEMBLY, RADIO FREQUENCY: tuned; inductance, sec = .3 uh; frequency, sec = 25 Mc; consists of one capacitor, C141 and one resistor, R114.	TT182
T113	TRANSFORMER ASSEMBLY, RADIO FREQUENCY: tuned; inductance, pri = 280 uh, sec = 195 uh; frequency, pri and sec = 790 Kc; consists of one capacitor, C157.	TT183
T114	TRANSFORMER ASSEMBLY, RADIO FREQUENCY: tuned; inductance, pri = 94 uh; sec = 27.5 uh; frequency, pri = 790 Kc, sec = 2.5 Mc; consists of one resistor, R184.	TT184
T115	TRANSFORMER ASSEMBLY, RADIO FREQUENCY: tuned; inductance, pri = 9.0 uh, sec = 9.7 uh; frequency, pri = 7.9 Mc, sec = 2.5 Mc.	TT185
T116	TRANSFORMER ASSEMBLY, RADIO FREQUENCY: tuned; inductance, pri = 5.0 uh, sec = 3.4 uh; frequency, pri and sec = 7.9 Mc; consists of one resistor, R120.	TT186

PARTS LIST (CONT)

REF SYMBOL	DESCRIPTION	TMC PART NUMBER
T117	TRANSFORMER ASSEMBLY, RADIO FREQUENCY: tuned; inductance = .3 uh; frequency = 25 Mc; consists of one capacitor, C162 and one resistor, R122.	TT187
T118	TRANSFORMER, RADIO FREQUENCY: tuned; operating frequency .995 to 1.855 Mc; inductance, pri = 115 uh, sec = 71 uh; frequency, pri and sec = 2.52 Mc.	TT141
T119	TRANSFORMER, RADIO FREQUENCY: tuned; operating frequency 1.855 to 3.755 Mc; inductance, pri = 20.5 uh, sec = 13.5 uh; frequency, pri and sec = 2.5 Mc.	TT142
T120	TRANSFORMER, RADIO FREQUENCY: tuned; operating frequency 3.755 to 6.055 Mc; inductance, pri = 8.2 uh, sec = 5.5 uh; frequency, pri and sec = 7.9 Mc; consists of three capacitors, C178, C179, C180.	TT143
T121	TRANSFORMER, RADIO FREQUENCY: tuned; operating frequency 9.555 to 13.455 Mc; inductance, 1.2-1.5 uh; frequency, 7.9 Mc; consists of three capacitors, C181, C182, C183.	TT144
T122	TRANSFORMER, INTERMEDIATE FREQUENCY: tuned; operating frequency 455 Kc; inductance, pri and sec = 48 uh; frequency, pri and sec = 2.5 Mc; consists of two 1,500 uuf capacitors and one 33,000 ohm, 1/2 watt resistor; phenolic terminal board; aluminum case.	TT147
T123	TRANSFORMER, RADIO FREQUENCY: tuned; operating frequency 13.455 to 21.455 Mc; inductance, pri = 0.76 uh, sec = 0.50 uh; frequency = 25 Mc; consists of two capacitors, C184, C185.	TT145
T124	TRANSFORMER, RADIO FREQUENCY: tuned; operating frequency 21.255 to 36.255 Mc; inductance, .22 - 28 uh; frequency = 25 Mc; consists of two capacitors, C186, C187.	TT146
T125	TRANSFORMER, INTERMEDIATE FREQUENCY: tuned; operating frequency 3955 Kc; inductance, pri and sec = 9.5 uh; frequency, pri and sec = 7.95 Mc; consists of one 82 uuf, one 68 uuf and 1 uuf capacitors, one 82,000 ohm, 1/2 watt resistor; phenolic terminal board; aluminum case.	TT148

PARTS LIST (CONT)

REF SYMBOL	DESCRIPTION	TMC PART NUMBER
T126	TRANSFORMER, INTERMEDIATE FREQUENCY: tuned; operating frequency 455 Kc; inductance, pri and sec = 134 uh; frequency, pri and sec = 795 Kc; consists of one 510 uuf capacitor; phenolic terminal board; aluminum case.	TT149
T127	TRANSFORMER, INTERMEDIATE FREQUENCY: tuned; operating frequency 455 Kc; inductance, pri = 30 uh, sec = 134 uh; frequency, pri = 2.52 Mc, sec = 795 Kc; consists of one 510 uuf capacitor and one 68,000 ohm, 1/2 watt resistor; phenolic terminal board; aluminum case.	TT150
T128	TRANSFORMER, INTERMEDIATE FREQUENCY: tuned; operating frequency 445 Kc; inductance, pri = 240 uh; frequency, pri = 790 Kc; consists of one 360 uuf capacitor; phenolic terminal board; aluminum case.	TT151
T129	TRANSFORMER, RADIO FREQUENCY: tuned; inductance = 2.73 - 3.85 uh; frequency = 7.9 Mc.	TT188
T130	TRANSFORMER, INTERMEDIATE FREQUENCY: tuned; operating frequency 455 Kc; inductance, pri and sec = 133 uh; frequency, pri and sec = 795 Kc; consists of two 510 uuf and one 5 uuf capacitor; one 33,000 ohm, 1/2 watt resistor; phenolic terminal board; aluminum case.	TT152
T131	TRANSFORMER, INTERMEDIATE FREQUENCY: tuned; inductance, pri = 190 uh; frequency, pri = 790 Kc.	TT153
T132	TRANSFORMER, RADIO FREQUENCY: tuned; inductance, pri = 220 uh, sec = 190 uh; frequency, pri and sec = 790 Kc.	TT154
T133	TRANSFORMER, RADIO FREQUENCY: tuned; inductance, pri = 330 uh, ±5%, sec = 250 uh, ±5%; frequency, pri and sec = 795 Kc. Part of BFO Network, symbol Z101.	TT189
V101	TUBE, ELECTRON: voltage regulator; 7 pin miniature.	OB2
V102	TUBE, ELECTRON: sharp cutoff pentode; 7 pin miniature.	6CB6A
V103	TUBE, ELECTRON: high-mu triode; 7 pin miniature.	6AB4

PARTS LIST (CONT)

REF SYMBOL	DESCRIPTION	TMC PART NUMBER
V104	TUBE, ELECTRON: remote cutoff pentode; 7 pin miniature.	6BA6
V105	TUBE, ELECTRON: sharp cutoff pentode; 7 pin miniature.	6EW6
V106	TUBE, ELECTRON: pentagrid converter.	6BA7
V107	TUBE, ELECTRON: sharp cutoff pentode; 7 pin miniature.	6AH6
V108	TUBE, ELECTRON: sharp cutoff pentode; 7 pin miniature.	6AU6A
V109A, B	TUBE, ELECTRON: 9 pin miniature.	6U8A
V110	Same as V104.	
V111	TUBE, ELECTRON: duo diode; 7 pin miniature.	6AL5
V112A, B	TUBE, ELECTRON: medium-mu triode-semiremote cutoff pentode; 9 pin miniature.	6AZ8
V113A, B	Same as V109A, B.	
V114	Same as V104.	
V115A, B	TUBE, ELECTRON: high-mu twin-triode; 9 pin miniature.	12AT7
V116	Same as V103.	
V117A, B	TUBE, ELECTRON: high-mu twin triode; 9 pin miniature.	12AX7A
V118	TUBE, ELECTRON: beam power; 7 pin miniature.	6AQ5A
W101	CABLE ASSEMBLY, POWER, ELECTRICAL: retracted length 7", consists of two connectors, symbols P101 and P102.	CA555-3
XC121	SOCKET, ELECTRON TUBE: octal type.	TS101P01
XC266	Same as XC121.	
XDS101	Non-r placeable item. Part of M101.	

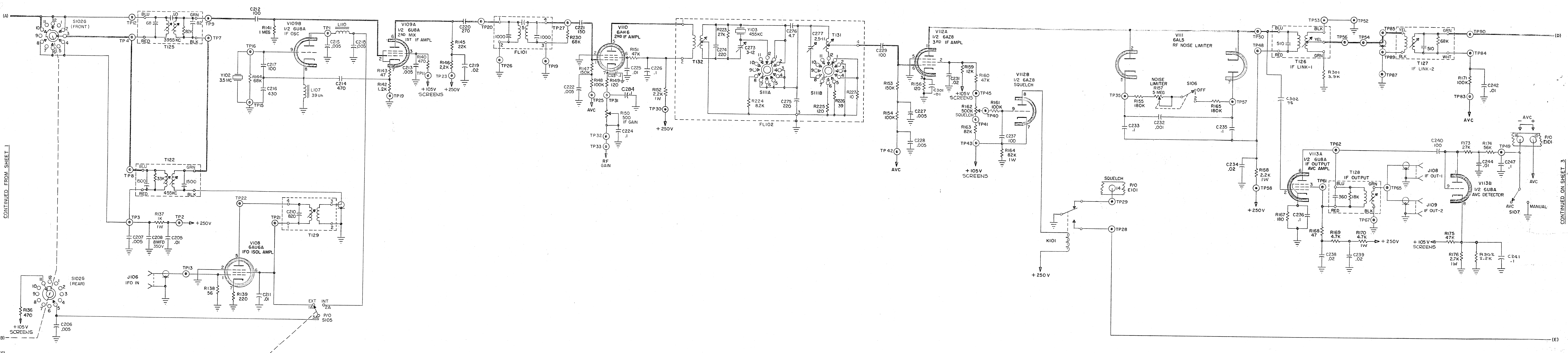
PARTS LIST (CONT)

REF SYMBOL	DESCRIPTION	TMC PART NUMBER
XDS102	LAMPHOLDER: for miniature bayonet base, T-3-1/4 bulb; right angle down turned.	TS107-2
XDS103 thru XDS105	Same as XDS102.	
XF101	FUSEHOLDER: extractor post type; accommodates cartridge fuse 1/4" dia. x 1-1/4" long; rated at 15 amps 250 V max. ; o/a length 1-3/4"; bushing mounted.	FH103
XV101	SOCKET, ELECTRON TUBE: 7 pin miniature stand-off; with center shield.	TS160-2
XV102	SOCKET, ELECTRON TUBE: 7 pin miniature stand-off; bayonet shield base, ground tab and center shield.	TS160-1
XV103	SOCKET, ELECTRON TUBE: 7 pin miniature.	TS102P01
XV104	Same as XV102.	
XV105	Same as XV102.	
XV106	SOCKET, ELECTRON TUBE: noval (9 pin) stand-off socket with bayonet shield base, ground tab and center shield.	TS161-1
XV107	Same as XV102.	
XV108	Same as XV102.	
XV109	Same as XV106.	
XV110	Same as XV102.	
XV111	Same as XV102.	
XV112	Same as XV106.	
XV113	Same as XV106.	
XV114	Sam as XV102.	

PARTS LIST (CONT)

REF SYMBOL	DESCRIPTION	TMC PART NUMBER
XV115	Same as XV106.	
XV116	Same as XV102.	
XV117	Same as XV106.	
XV118	Same as XV101.	
XY101	SOCKET, CRYSTAL: 2 contacts, 0.050" dia., spaced 0.486" center to center.	TS104-2
XY102	Same as XY101.	
XY103	SOCKET, CRYSTAL: clip type; 2 cadmium plated contacts; 2/65" x 5/32" tail slots.	TS167-1
Y101	CRYSTAL UNIT, QUARTZ: operating frequency 100,000 Kc, $\pm 0.02\%$; load capacitance 20.0 uuf. $+0.5$ uuf; operating temperature range -40^{+3}_{-0} C to $+70^{+3}_{-0}$ C; parallel resonance; HC-13/U holder.	CR37A/U-100.000 KC
Y102	CRYSTAL UNIT, QUARTZ: nom. frequency range 800 -20,000 Kc, $\pm 0.005\%$; operating temperature range -55° C to $+90^{\circ}$ C; crystal unit max. capacitance 7.0 uuf; load capacitance 32.0 uuf, ± 0.5 uuf; parallel resonance; metal case; HC-6/U holder.	CR18A/U-3.500000 MC
Y103	CRYSTAL UNIT, QUARTZ: series resonant frequency 455.008 Kc, $\pm 0.002\%$; parallel resonant frequency 455.152 Kc; effective resistance at series resonance 2,200 ohms; load capacity 20 uuf; delta frequency 144 cps, $+10\%$; series frequency measured at 25° C, $\pm 5^{\circ}$ C; test drive level 2 mw; maximum drift rate 50 cycles at 70° F; operating temperature range 35° C; HC-6/U holder.	CR108
Z101	NETWORK, BFO: operating frequency 455 Kc, ± 3 Kc; consists of four capacitors, C269, C270, C271, C272, three resistors, R220, R221, R222, one transformer, T133; top mounted with two 6-32 screws; 2-7/8" x 1.750" o/a dim.	NW101

REV	DATE	BY	CHKD	APPR
1	11/14			
2	11/14			
3	11/14			
4	11/14			
5	11/14			
6	11/14			
7	11/14			
8	11/14			
9	11/14			
10	11/14			



CONTINUED FROM SHEET 1

CONTINUED ON SHEET 3

CK-1090

REV	DATE	BY	CHKD	APPR
1	11/14			
2	11/14			
3	11/14			
4	11/14			
5	11/14			
6	11/14			
7	11/14			
8	11/14			
9	11/14			
10	11/14			

REV	DATE	BY	CHKD	APPR
1	11/14			
2	11/14			
3	11/14			
4	11/14			
5	11/14			
6	11/14			
7	11/14			
8	11/14			
9	11/14			
10	11/14			

42

ZONE	REV	DESCRIPTION	DATE	BY	CHKD	APPD
1	0	ORIGINAL RELEASE FOR PRODUCTION	1-14-52
1	A	UPDATES	1-24-52
1	B	SEC SHEETS 1 & 2	3-8-52
1	C	FORM # 4105 V BEL. FROM CHD. CONN. SUPPLY GRIP TO CARD	2-23-52
1	D	R172 WAS 220 SEE SHEETS 1 & 2	2-24-52

REQ. NO.	ITEM	PART NUMBER	DESCRIPTION	QTY.
LONGHILL LIST OF MATERIAL				
THE TECHNICAL MATERIEL CORP. MAMARONECK, NEW YORK				
DIAGRAM, SCHEMATIC (GPR92A)				
UNLESS OTHERWISE SPECIFIED DIMENSIONS ARE IN INCHES AND INCLUDE DIMENSIONALLY APPLIED OR PLATED FINISHES				
TOLERANCES: .005" .010" .015" .020" .030" .040" .050" .060" .070" .080" .090" .100" .125" .150" .175" .200" .250" .300" .375" .500" .625" .750" .875" 1.000"				
DRAWN: [Signature] CHECKED: [Signature] DATE: 1/11/52				
PART NO: 0109010				
SHEET 3 OF 5				

