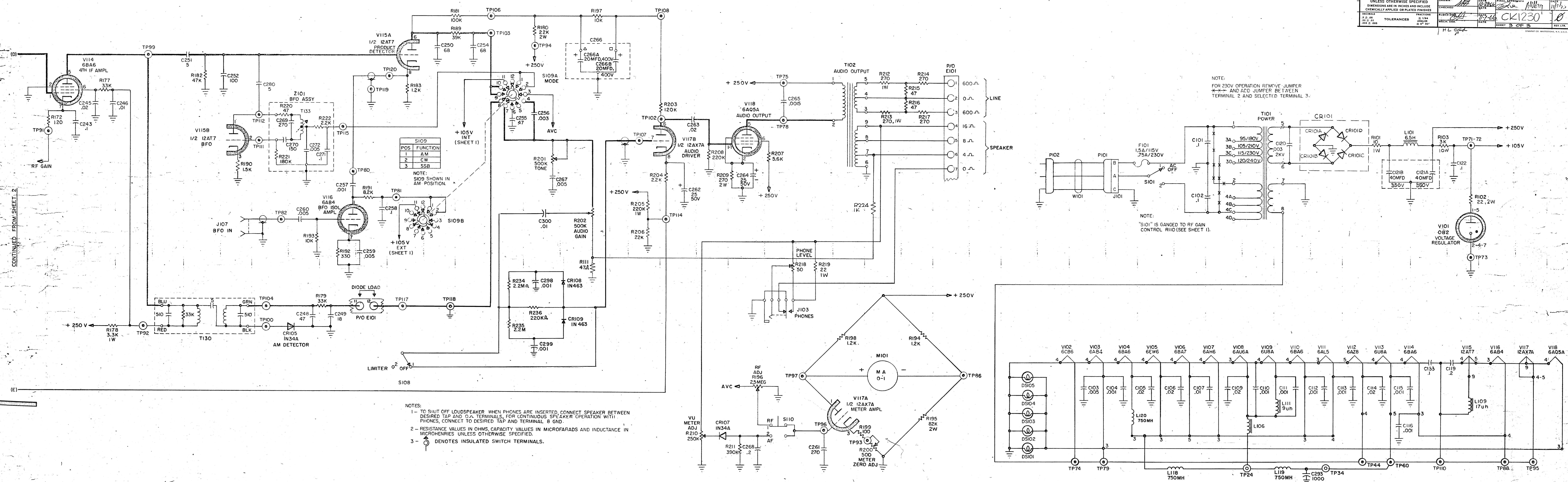


| REV | DATE | BY | CHKD | APPD |
|-----|---------|----|------|------|
| 1 | 1/24/54 | | | |

| REV | DATE | BY | CHKD | APPD |
|-----|---------|----|------|------|
| 1 | 1/24/54 | | | |

| DATE | BY | CHKD | APPD |
|---------|----|------|------|
| 1/24/54 | | | |



| POS | FUNCTION |
|-----|----------|
| 1 | AM |
| 2 | CW |
| 3 | SSB |

NOTE:
S109 SHOWN IN AM POSITION.

- NOTES:
- 1 - TO SHUT OFF LOUDSPEAKER WHEN PHONES ARE INSERTED, CONNECT SPEAKER BETWEEN DESIRED TAP AND 0.0. TERMINALS, FOR CONTINUOUS SPEAKER OPERATION WITH PHONES, CONNECT TO DESIRED TAP AND TERMINAL 8 GND.
 - 2 - RESISTANCE VALUES IN OHMS, CAPACITY VALUES IN MICROFARADS AND INDUCTANCE IN MICROHENRES, UNLESS OTHERWISE SPECIFIED.
 - 3 - DENOTES INSULATED SWITCH TERMINALS.

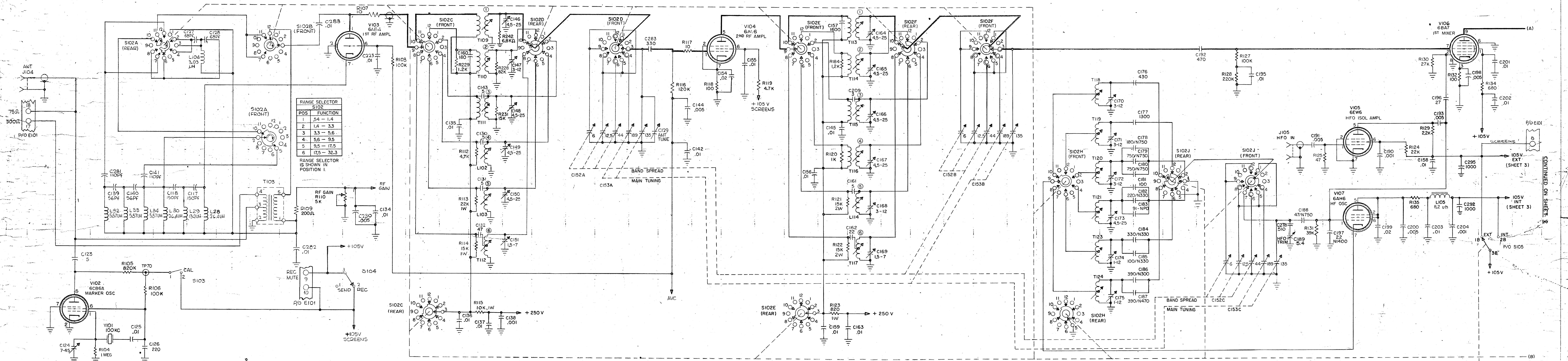
NOTE:
FOR 250V OPERATION REMOVE JUMPER AND ADD JUMPER BETWEEN TERMINAL 2 AND SELECTED TERMINAL 3.

NOTE:
S101 IS GANGED TO RF GAIN CONTROL R110 (SEE SHEET 1).

CONTINUED FROM SHEET 2

45

| REV. | DATE | BY | DESCRIPTION |
|------|----------|------|---------------------------|
| 1 | 10/24/54 | W.S. | EXP. RELEASE |
| 2 | 11/24/54 | W.S. | ORIGINAL RELEASE FOR INFO |



| LAST SYMBOLS | | MISSING SYMBOLS | |
|--------------|------------|-----------------|------------|
| 100 Series | 200 Series | 100 Series | 200 Series |
| C199 | S111 | C1012 | L34 |
| C1017 | T153 | C1013 | |
| D1010 | T120 | C1014 | |
| E101 | V118 | J102 | |
| F102 | W101 | T104 | |
| J109 | Y105 | T105 | |
| K101 | Z104 | L11 | |
| L134 | | L12 | |
| M101 | | L13 | |
| P102 | | | |
| R199 | | | |

| REV. | DATE | PART NUMBER | DESCRIPTION | BY | CHKD. |
|------|------|-------------|-------------|----|-------|
| | | | LONGHI | | |

UNLESS OTHERWISE SPECIFIED DIMENSIONS ARE IN INCHES AND FRACTIONS DECIMALS ARE TO FOLLOW

THE TECHNICAL MATERIEL CORP.
MANHATTAN, NEW YORK

DIAGRAM, SCHEMATIC (CP292B)

DATE: 11/23/54
BY: [Signature]
CHKD: [Signature]

CONTINUED ON SHEET 30