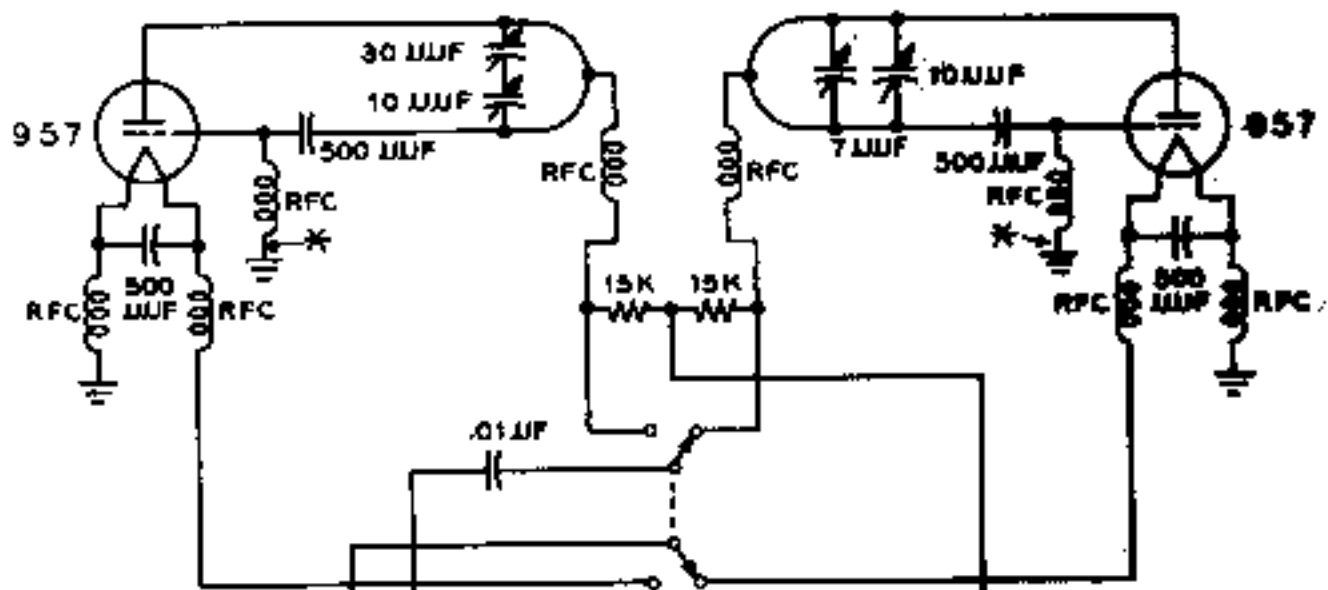


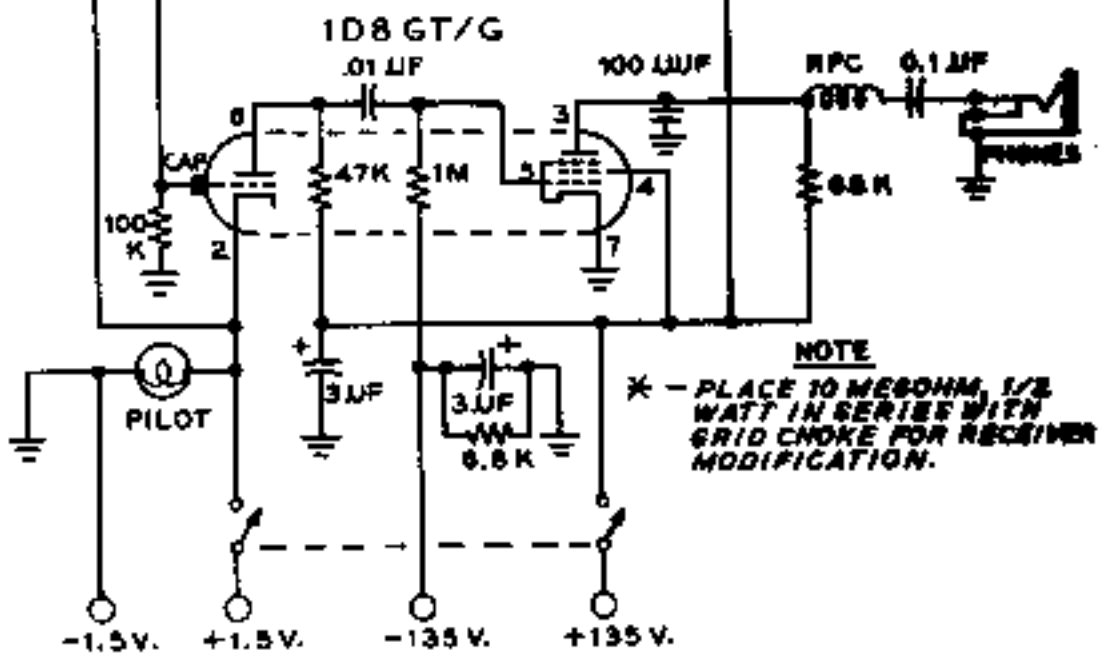
G-BAND SECTION

I-BAND SECTION



G-BAND ← I-BAND

Downloaded by  
RadioAmateur.EU



**NOTE**  
\* - PLACE 10 MEGOHM, 1/2 WATT IN SERIES WITH GRID CHoke FOR RECEIVER MODIFICATION.