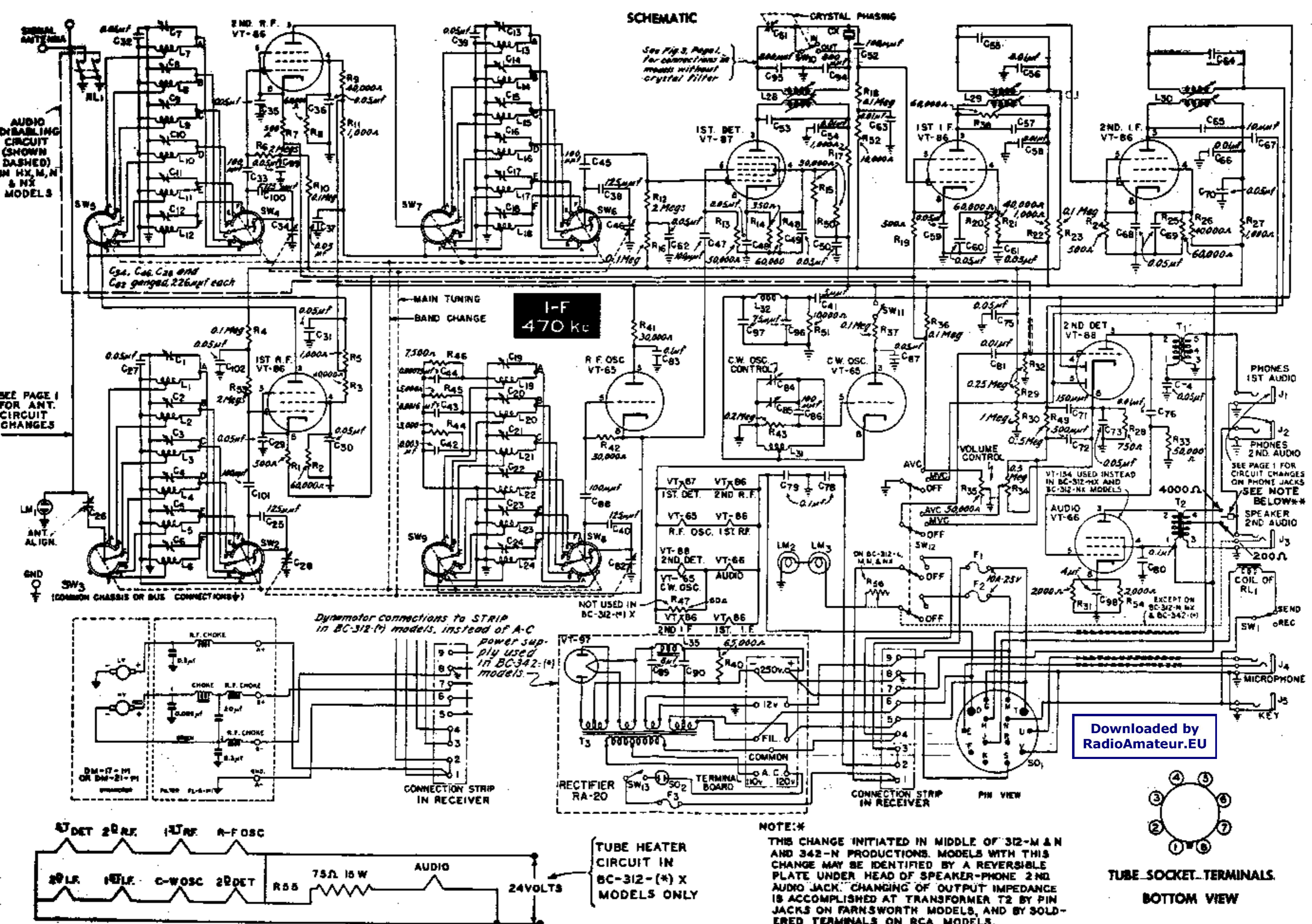


SCHEMATIC



See Fig. 3, Page 1, for connections in models without crystal filter

AUDIO DISABLING CIRCUIT (SHOWN DASHED) IN HX, M, N & NX MODELS

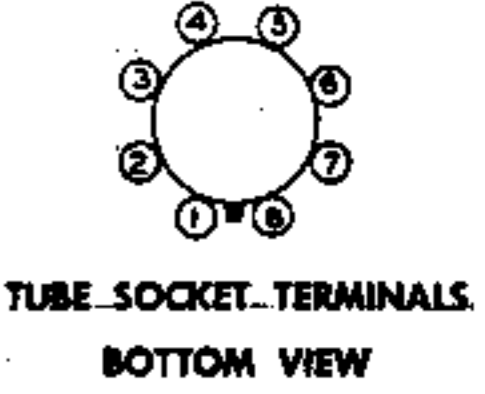
SEE PAGE 1 FOR ANT. CIRCUIT CHANGES

I-F 470 kc

NOT USED IN BC-312-M X

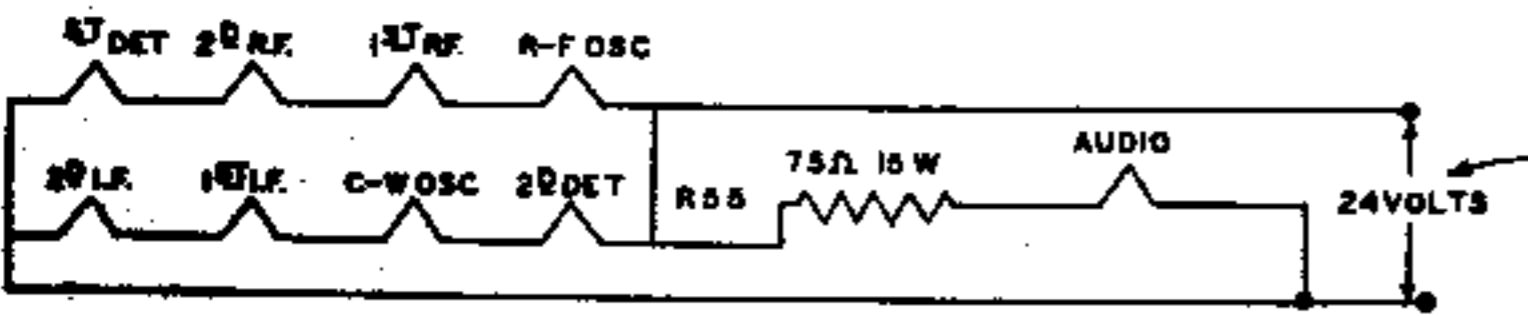
Dynamotor connections to STRIP in BC-312-(*) models, instead of A-C power supply used in BC-342-(*) models.

Downloaded by RadioAmateur.EU



NOTE: THIS CHANGE INITIATED IN MIDDLE OF 312-M & N AND 342-N PRODUCTIONS. MODELS WITH THIS CHANGE MAY BE IDENTIFIED BY A REVERSIBLE PLATE UNDER HEAD OF SPEAKER-PHONE 2ND AUDIO JACK. CHANGING OF OUTPUT IMPEDANCE IS ACCOMPLISHED AT TRANSFORMER T2 BY PIN JACKS ON FARNSWORTH MODELS, AND BY SOLDERED TERMINALS ON RCA MODELS.

TUBE HEATER CIRCUIT IN BC-312-(*) X MODELS ONLY



DM-17-M OR DM-21-M

ANT. ALIGN. SW3 (COMMON CHASSIS OR BUS CONNECTIONS)

PHONES 1ST AUDIO J1
PHONES 2ND AUDIO J2
SEE PAGE 1 FOR CIRCUIT CHANGES ON PHONE JACKS
SEE NOTE BELOW**
SPEAKER 2ND AUDIO J3
200Ω
COIL OF RL1
SEND SW1 REC

VOLUME CONTROL
AVC
AVC 50,000Ω
MYC

VT-154 USED INSTEAD IN BC-312-MX AND BC-312-NX MODELS

EXCEPT ON BC-312-M NX & BC-342-(*)