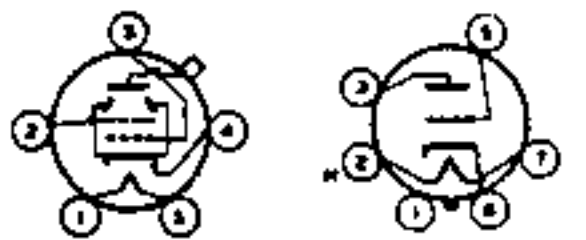
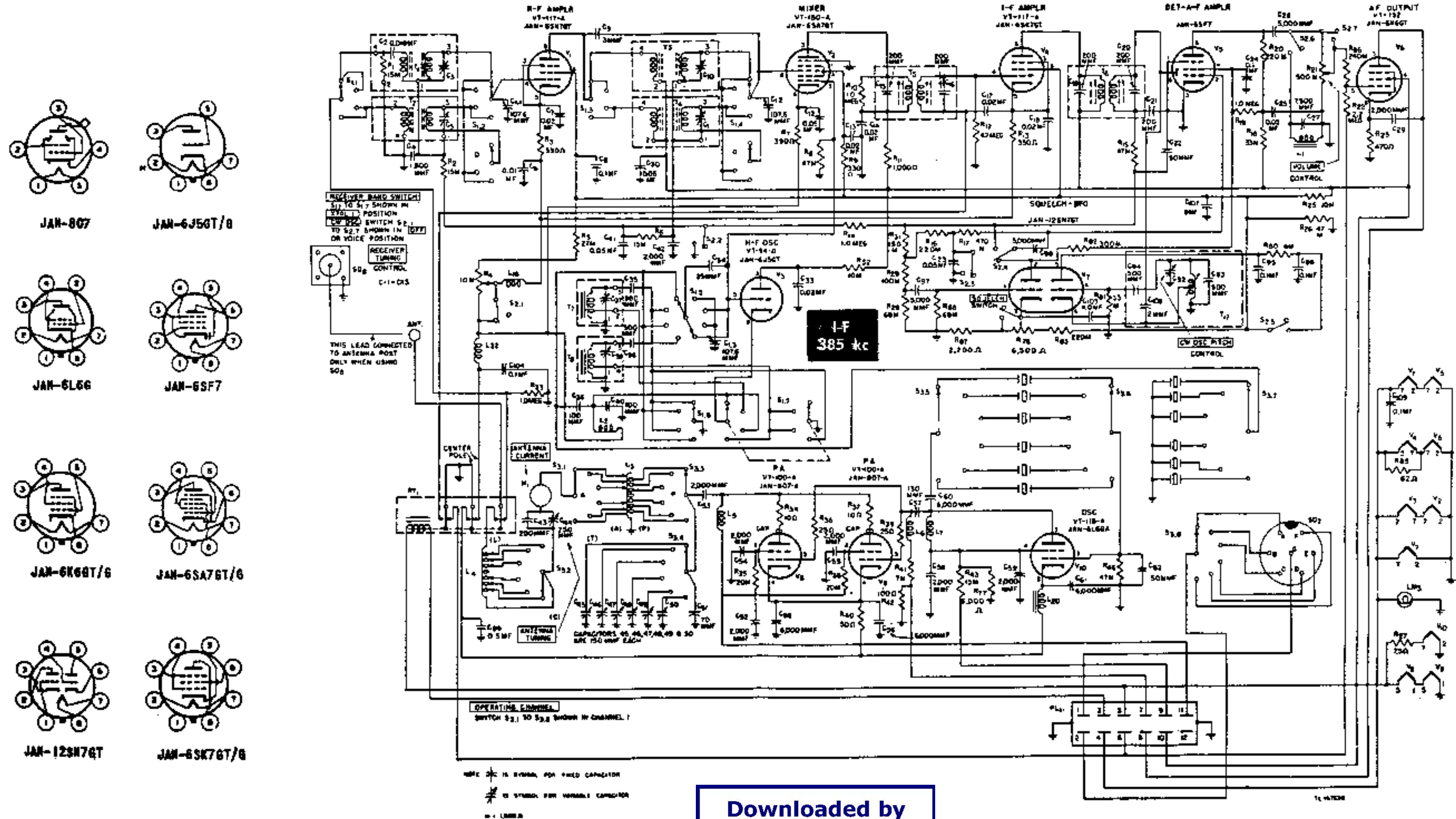
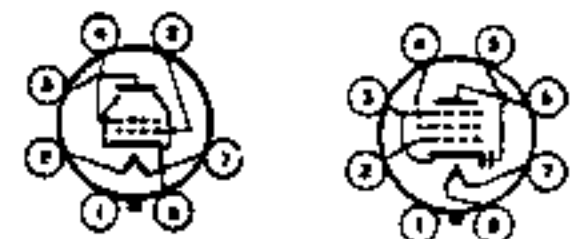


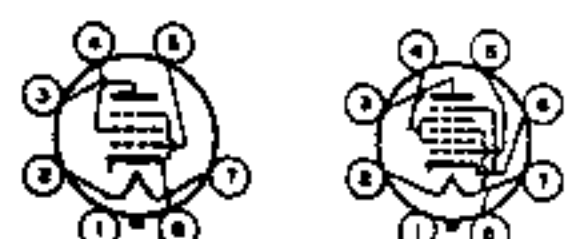
RADIO RECEIVER AND TRANSMITTER BC-669-D



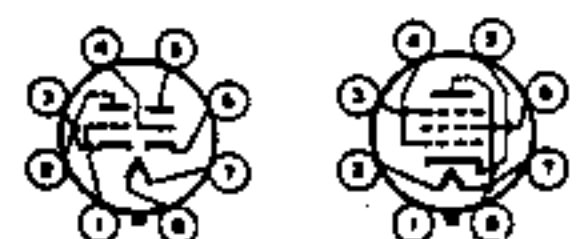
JAN-807 JAN-6J56T/8



JAN-6L66 JAN-6SF7



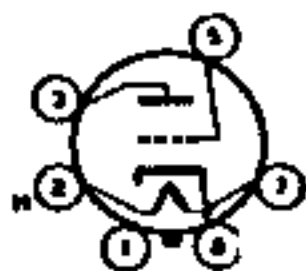
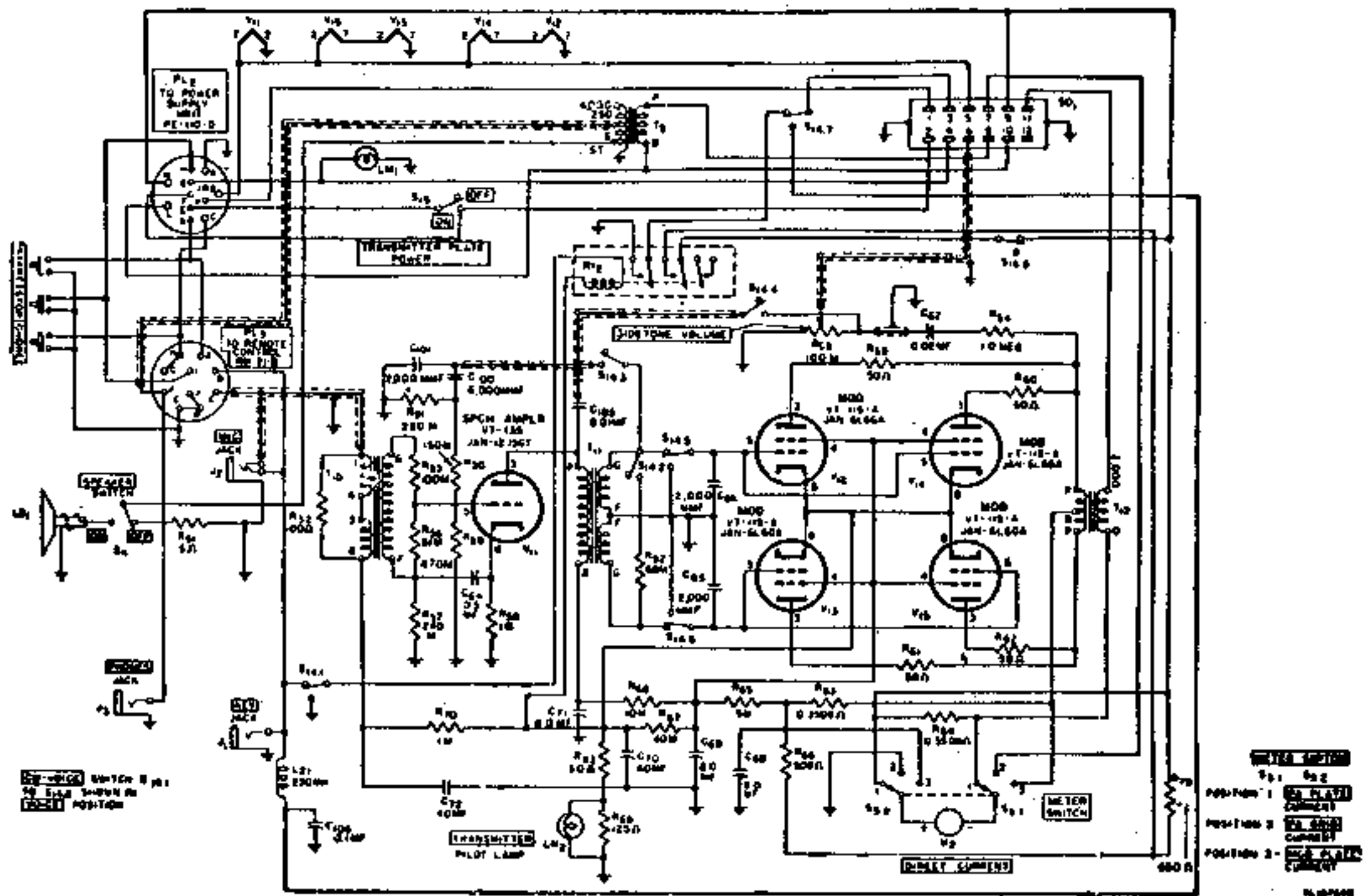
JAN-6K68T/6 JAN-6SA76T/6



JAN-12SN7GT JAN-6SK76T/6

Downloaded by
RadioAmateur.EU

SCHEMATIC OF MODULATOR SECTION BC-669-D



JAN-12J5GT



JAN-6L6A

NORMAL METER READINGS.

PA GRID	4-6.5 ma
PA PLATE	150-210 ma
MOD PLATE	200-230 ma
ANTENNA CURRENT	1-1.5 amp.