



ANTENNA TRIMMER

BANDSWITCH

REGENERATION

TUNING

BROADCAST

SHORTWAVE



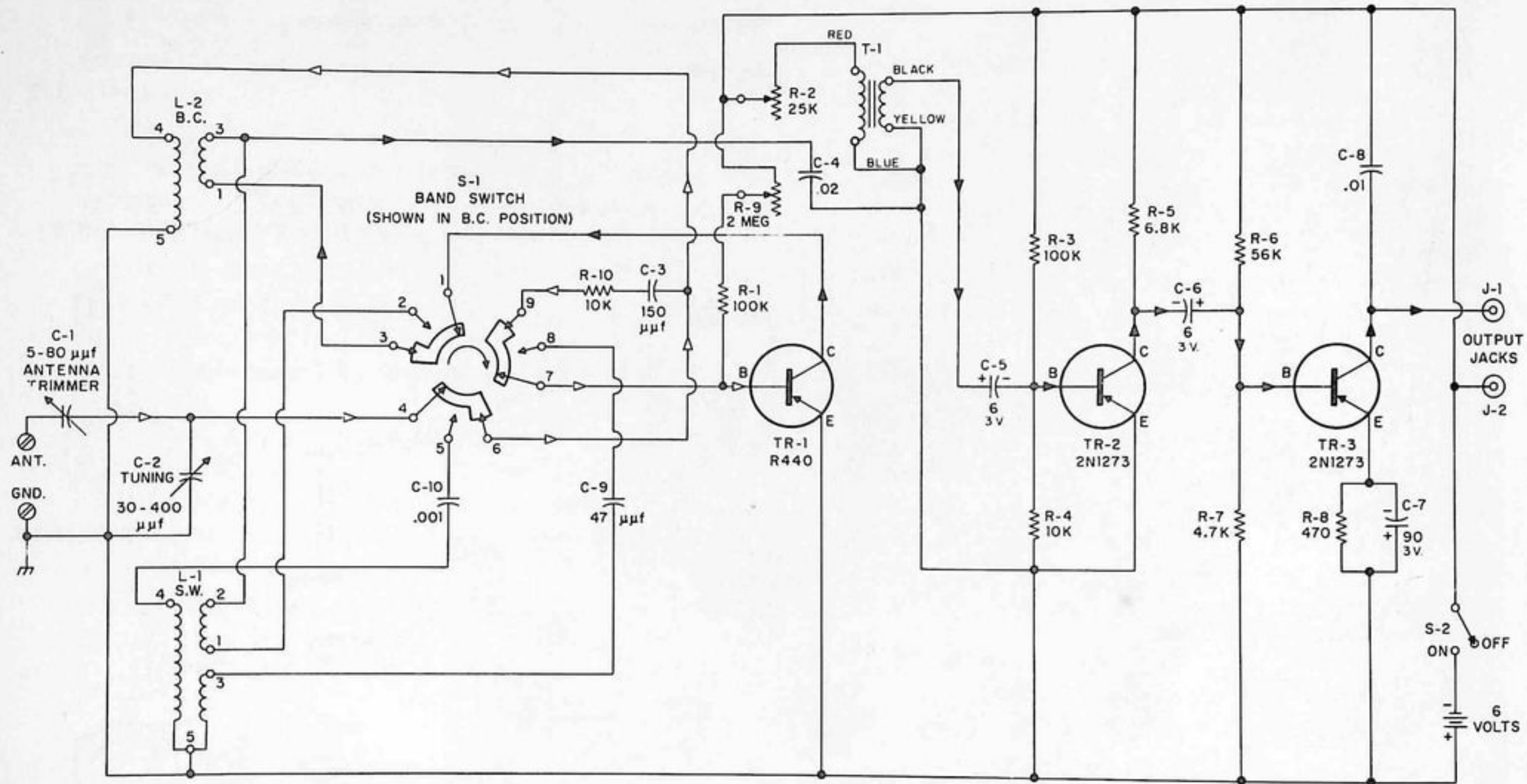
OFF

ON



2 Band Transistor DXer





CAPACITORS INDICATED IN MICROFARADS  
UNLESS OTHERWISE SPECIFIED.

$\text{⏏}$  = CHASSIS GROUND.

#### NOTES

RESISTORS INDICATED IN OHMS.

K = 1,000 OHMS.

MEG. = 1,000,000 OHMS.

RF SIGNAL PATH



AF SIGNAL PATH



FIGURE 18.