

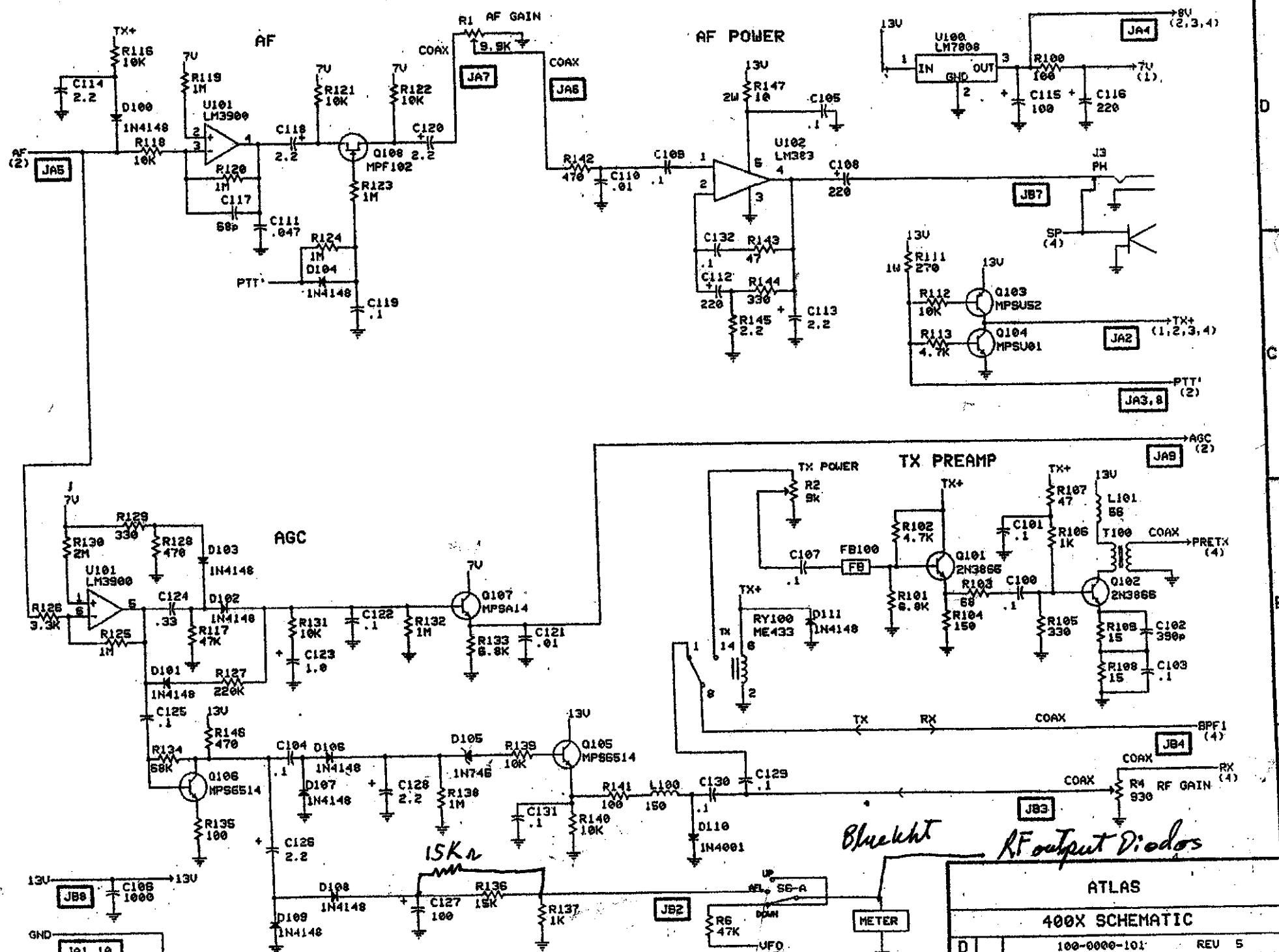
ATLAS MODEL 400-X BLOCK DIAGRAM

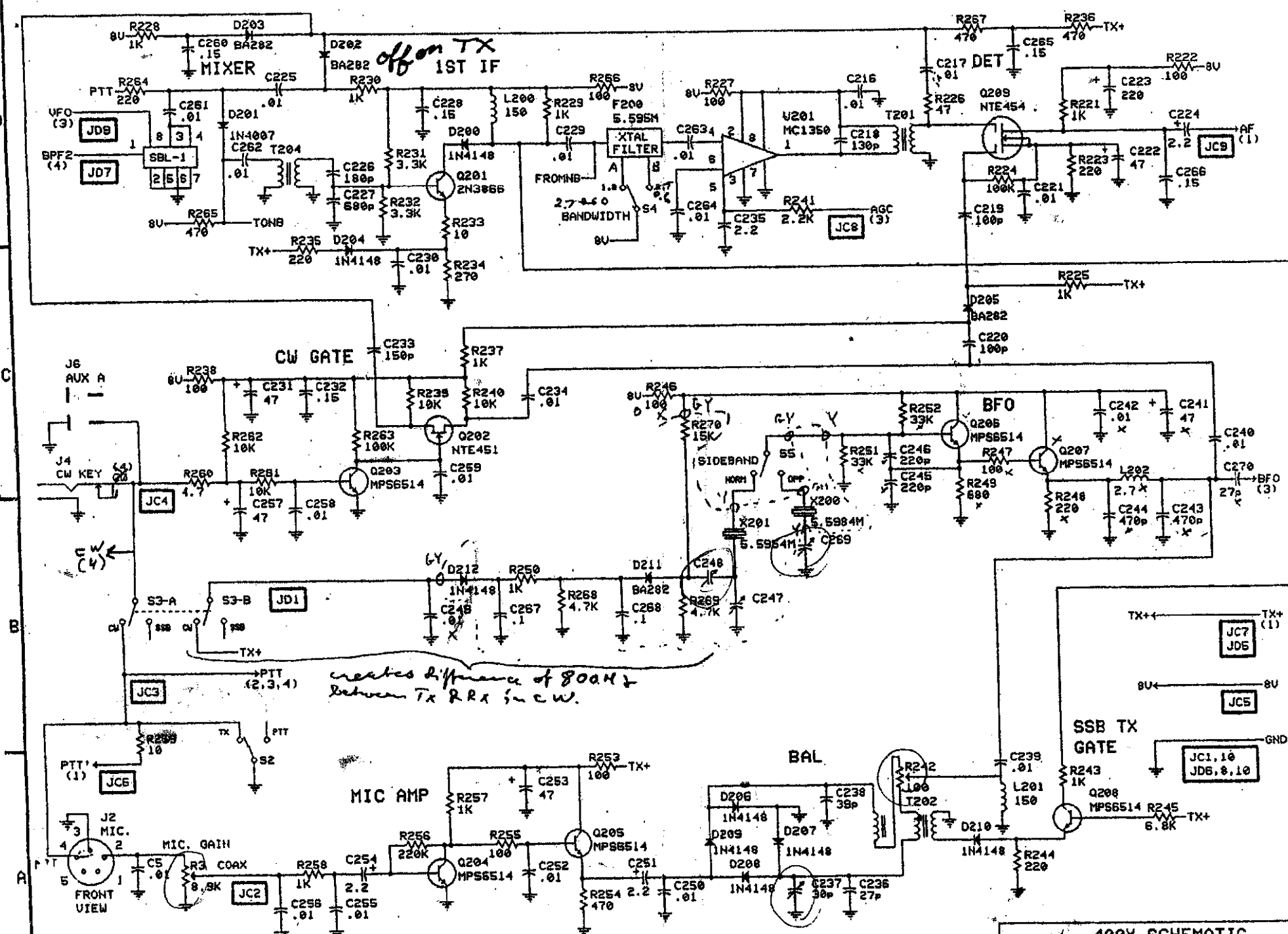
- 3,
- 7,000 = 12,595
- 10,000 = 15,595
- 18,000 = 12,405
- 21,000 = 15,406
- ✓
- 25,000 = 19,406

28,000 = ?

# PCBS (400X)

PC101	R.F. ASSY
PC201	I.F. ASSY
PC301	BANDPASS FILTER (4) A,B,C,D.
PC410	PANEL SWITCH ASSY - LONG
PC420	PANEL SWITCH ASSY - SHORT
PC501	DRIVER / POWER AMP
PC601	LOW PASS FILTER (5) A,B,C,D,E
PC701	ANT RELAY
PC801	VFO OSC, A.F.L
PC850	VFO MIXER TUNING
PC901	FREQ COUNTER, DISPLAY
PC1105	CW SIDETONE
PC1205	BFO / CAR OSC (CRYSTAL BD)
PC1250	R.I.T
PC1305	CRYSTAL FILTER





*off on TX  
1ST IF*

*creates difference of 800Hz  
between Tx & Rx in CW.*

**400X SCHEMATIC**



**TX POWER**

