

Modifications Notes:

1. New values for coupling capacitors shown in red. 400V or higher rating.
2. Couplate (CP-401) replaced with discrete components of similar values except coupling capacitor; new value shown in red.
3. Switch for modulator driver bypass is a TPST (on-on) sub-miniature type.
4. Thermistor is a CL-60 type. Solder to pin four of relay (K504).
5. Replace Key Jack (J507) with Normally Closed 1/2" phone jack for unbalanced line input. For unbal. line-in operation insert phone plug, and remove plug for standard stock mic operation. For balanced line-in use Normally Closed 1/2" TRS (headphone type) phone jack. See Fig. 1 for associated circuit.
6. Remove HV & zero V from pins 1 & 2 of terminal strip/filter assembly (TB501/X505) and insulate leads.
7. Value of plate voltage reduction resistor jumped across terminals 6 & 7 of TB501 should be chosen for appropriate output wattage needed. A 7k resistor will produce an output wattage of ~30W. Resistor should be a wirewound power resistor type with a rating of 40W minimum.
8. All modifications shown in red. Original B&W 5100b schematic in black.

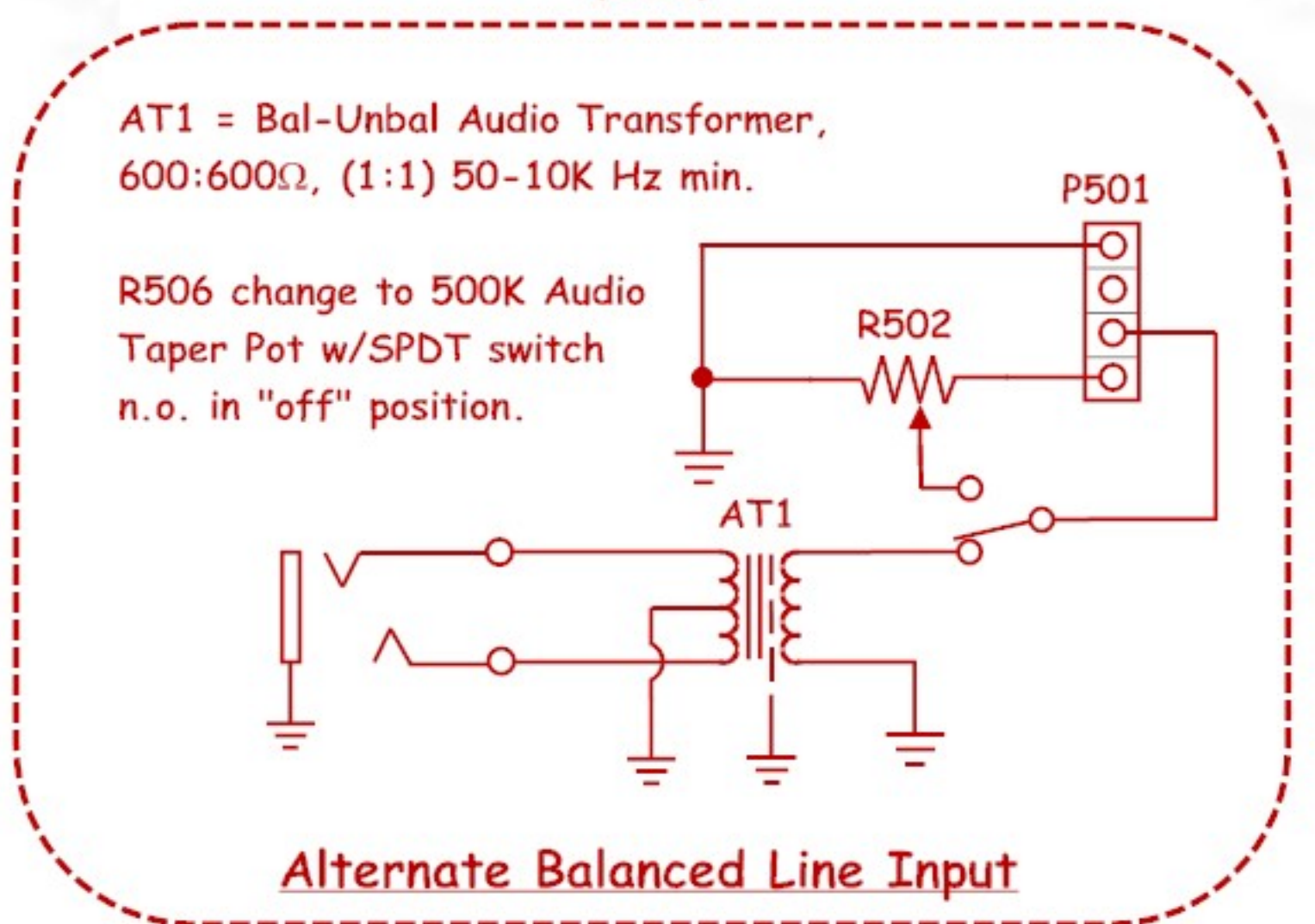


Fig. 1

Audio Modifications for B&W 5100B

John LeVasseur, W2WDX
©2010

Made with a Trial Copy of SmartDraw

Buy SmartDraw!- purchased copies print this document without a watermark. Visit www.smartdraw.com or call 1-800-768-3729.