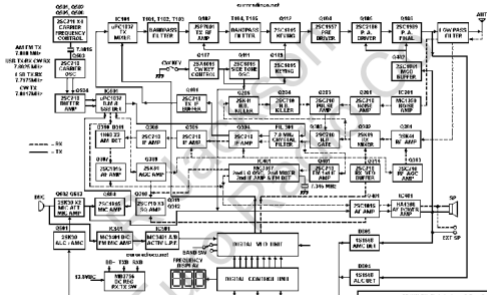


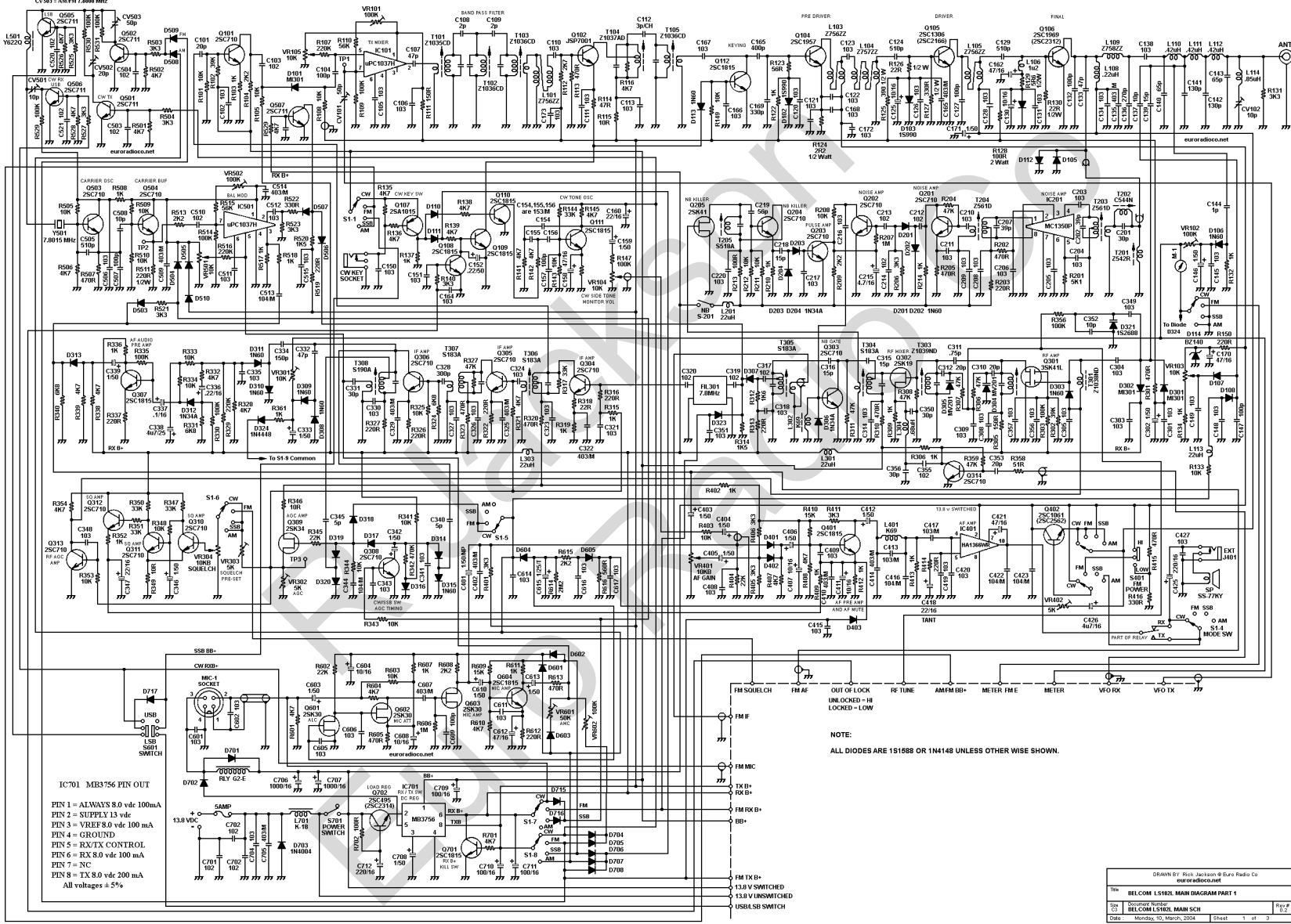
BELCOM LS102L BLOCK DIAGRAM



DESIGN BY: Bob Anderson & Paul Miller for entradisound		
Title: BELCOM LS102L BLOCK DIAGRAM PART 3		
Doc No: BELCOM LS102L BLOCK DIAGRAM	Rev: 0.1	Date: Monday, 10. October, 2004
Sheet: 3 of 3		

BELCOM LS102L SCHEMATIC DIAGRAM

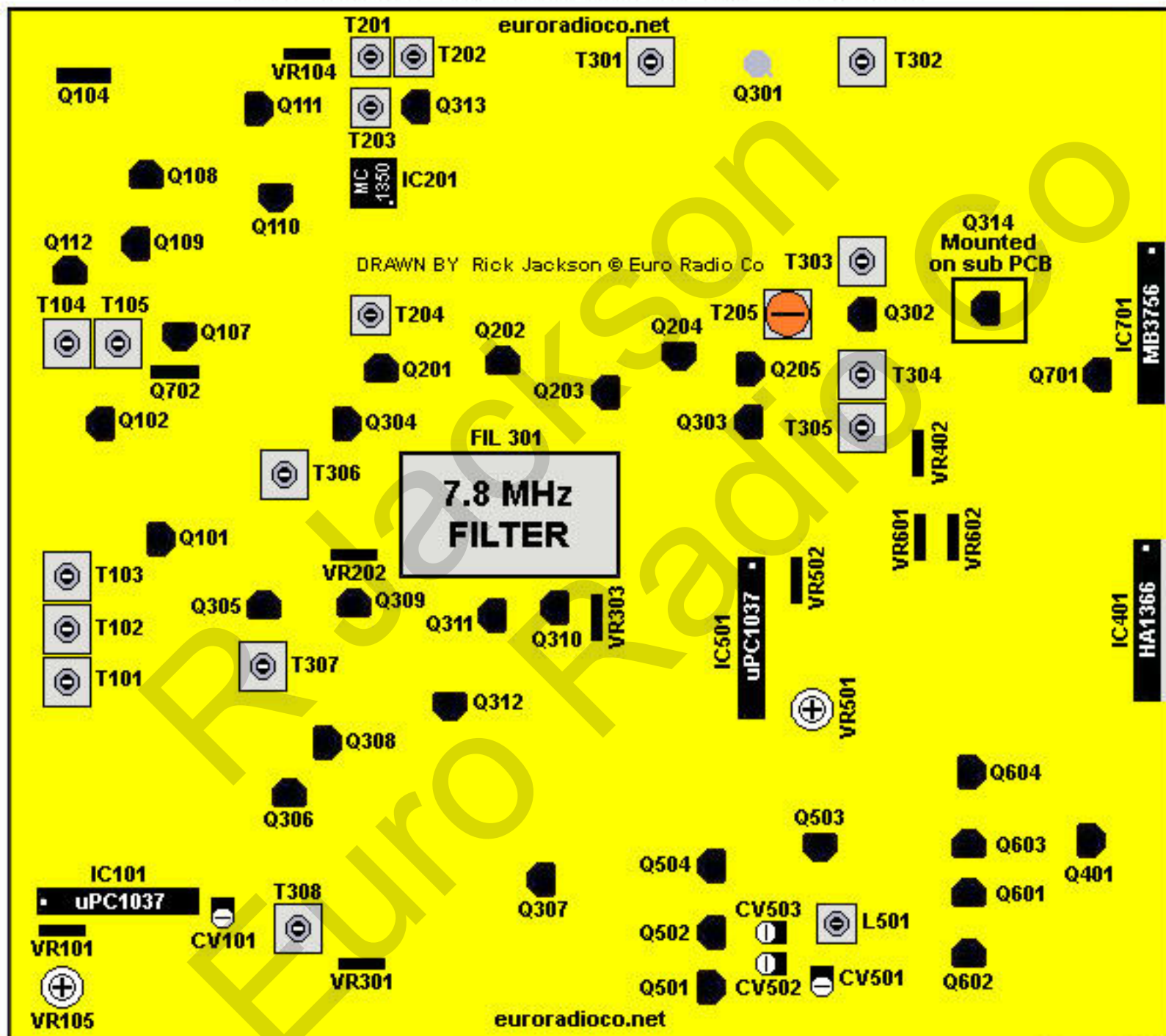
CARRIER OFF-SET AT TP2 (Enthus 0596)
 L581 = L50 1.7975 MHz
 CV581 = US0 AND CW IN RX 7.8025 MHz
 CV582 = CW IN TX 7.8017 MHz
 CV583 = AM FM 7.8000 MHz



IC701 MR3756 PIN OUT
 PIN 1 = ALWAYS 8.0 vdc 100mA
 PIN 2 = SUPPLY 13 vdc
 PIN 3 = VREF 8.0 vdc 100 mA
 PIN 4 = GROUND
 PIN 5 = RX/TX CONTROL
 PIN 6 = RX 8.0 vdc 100 mA
 PIN 7 = NC
 PIN 8 = TX 8.0 vdc 200 mA
 All voltages ± 5%

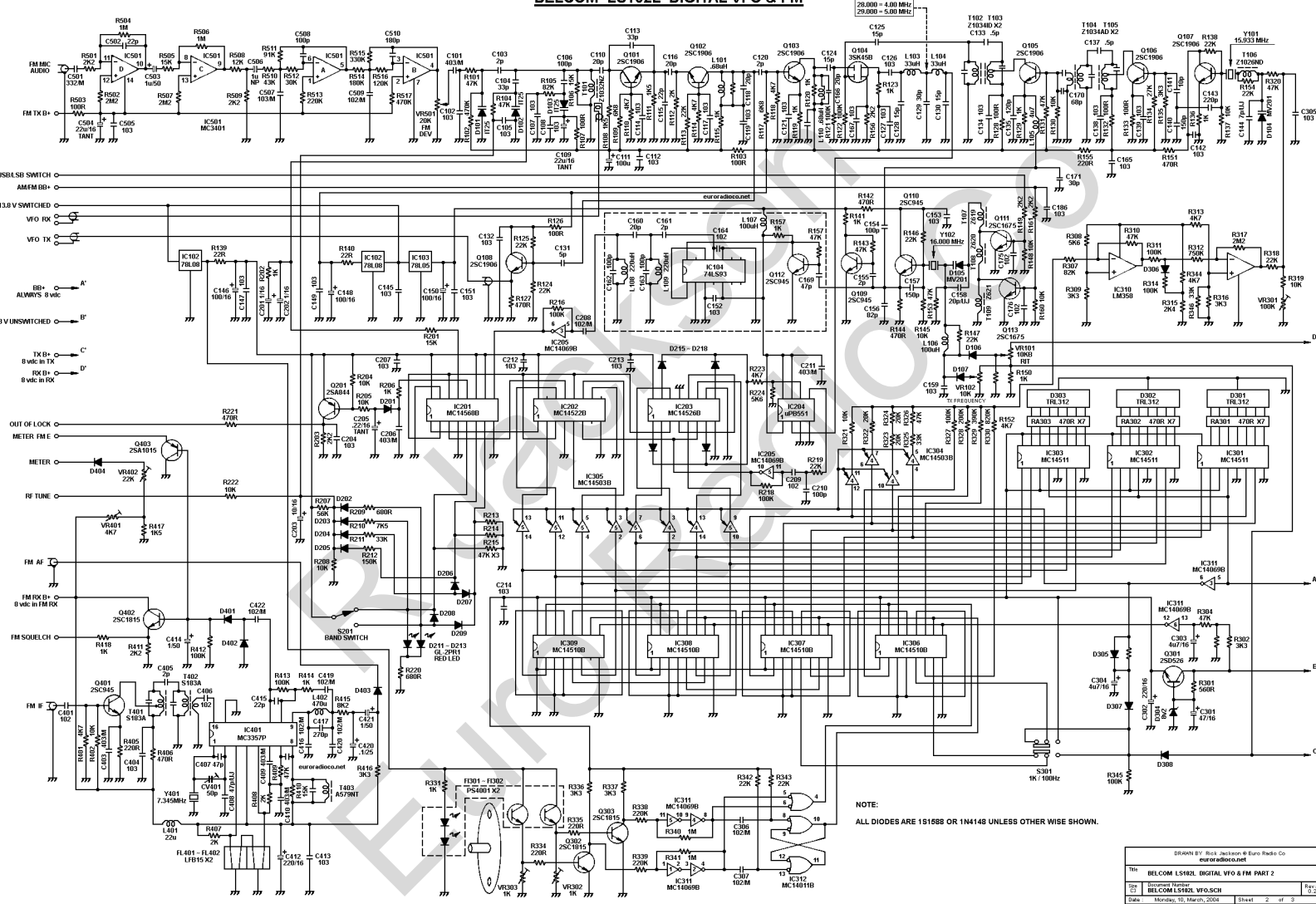
NOTE:
 ALL DIODES ARE 1S188S OR 1N4148S UNLESS OTHER WISE SHOWN.

BELCOM LS102L MAIN PCB LAYOUT



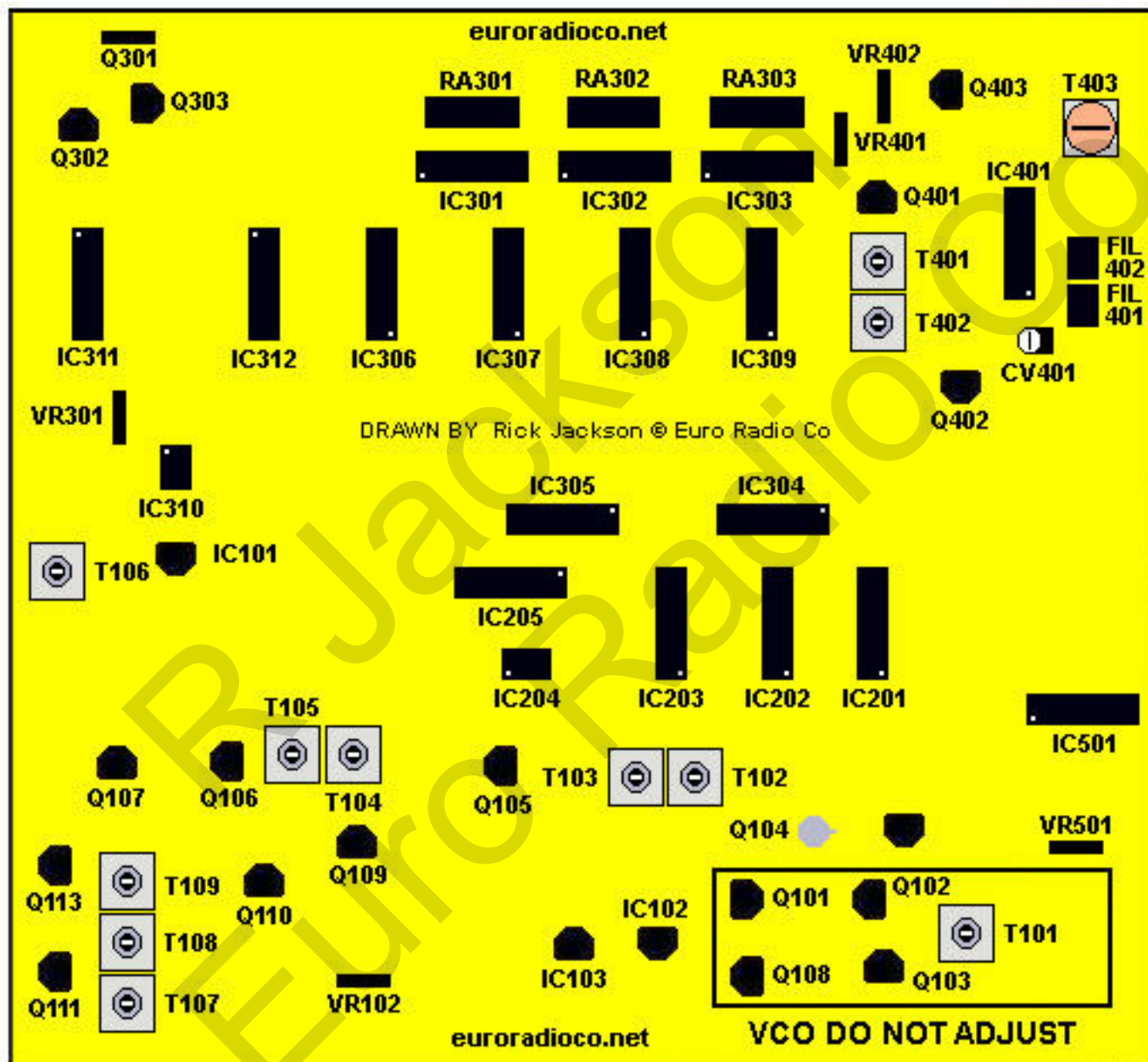
FRONT OF RADIO

BELCOM LS102L DIGITAL VFO & FM



NOTE:
ALL DIODES ARE 1S1588 OR 1N4148 UNLESS OTHERWISE SHOWN.

BELCOM LS102L VFO PCB LAYOUT



FRONT OF RADIO