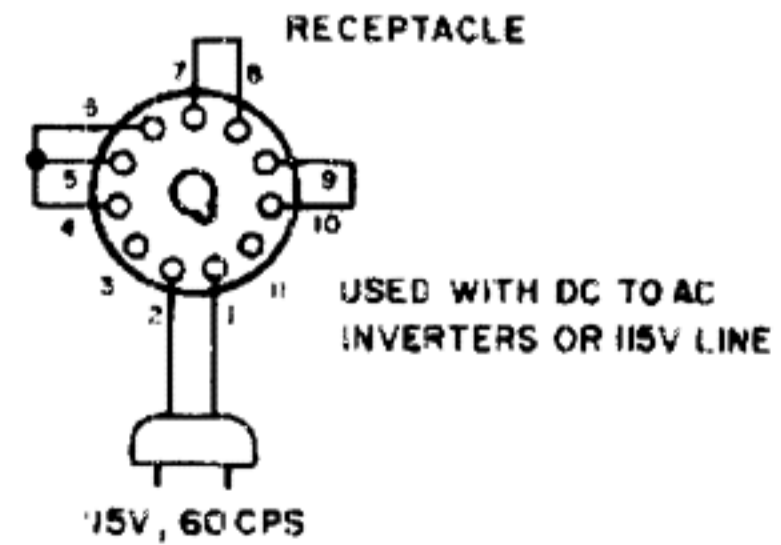
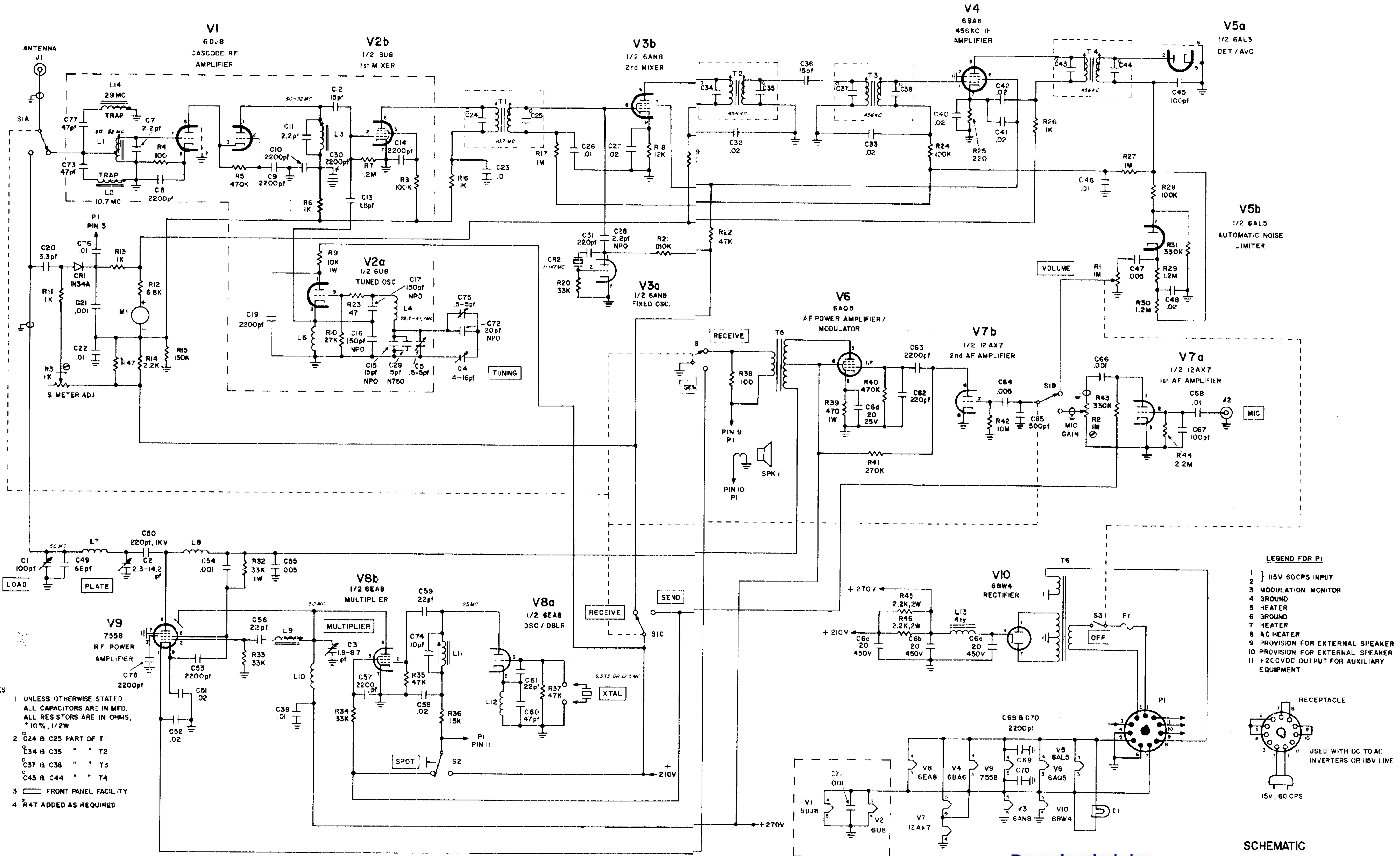


Downloaded by
RadioManual.EU

- LEGEND FOR PI**
- 1 } 115V SOCP5 INPUT
 - 2 }
 - 3 MODULATION MONITOR
 - 4 GROUND
 - 5 HEATER
 - 6 GROUND
 - 7 HEATER
 - 8 AC HEATER
 - 9 PROVISION FOR EXTERNAL SPEAKER
 - 10 PROVISION FOR EXTERNAL SPEAKER
 - 11 +200VDC OUTPUT FOR AUXILIARY EQUIPMENT



SCHEMATIC
99er 6 METER TRANSCEIVER
REFERENCE NO. CL-10-266c



- NOTES
- UNLESS OTHERWISE STATED ALL CAPACITORS ARE IN MFD. ALL RESISTORS ARE IN OHMS, * 10%, 1/2W
 - C24 & C25 PART OF T1
C34 & C35 " " T2
C37 & C38 " " T3
C43 & C44 " " T4
 - FRONT PANEL FACILITY
 - R47 ADDED AS REQUIRED

- LEGEND FOR PI
- 115V 60CPS INPUT
 - MODULATION MONITOR
 - GROUND
 - HEATER
 - GROUND
 - HEATER
 - AC HEATER
 - PROVISION FOR EXTERNAL SPEAKER
 - PROVISION FOR EXTERNAL SPEAKER
 - +200VDC OUTPUT FOR AUXILIARY EQUIPMENT

