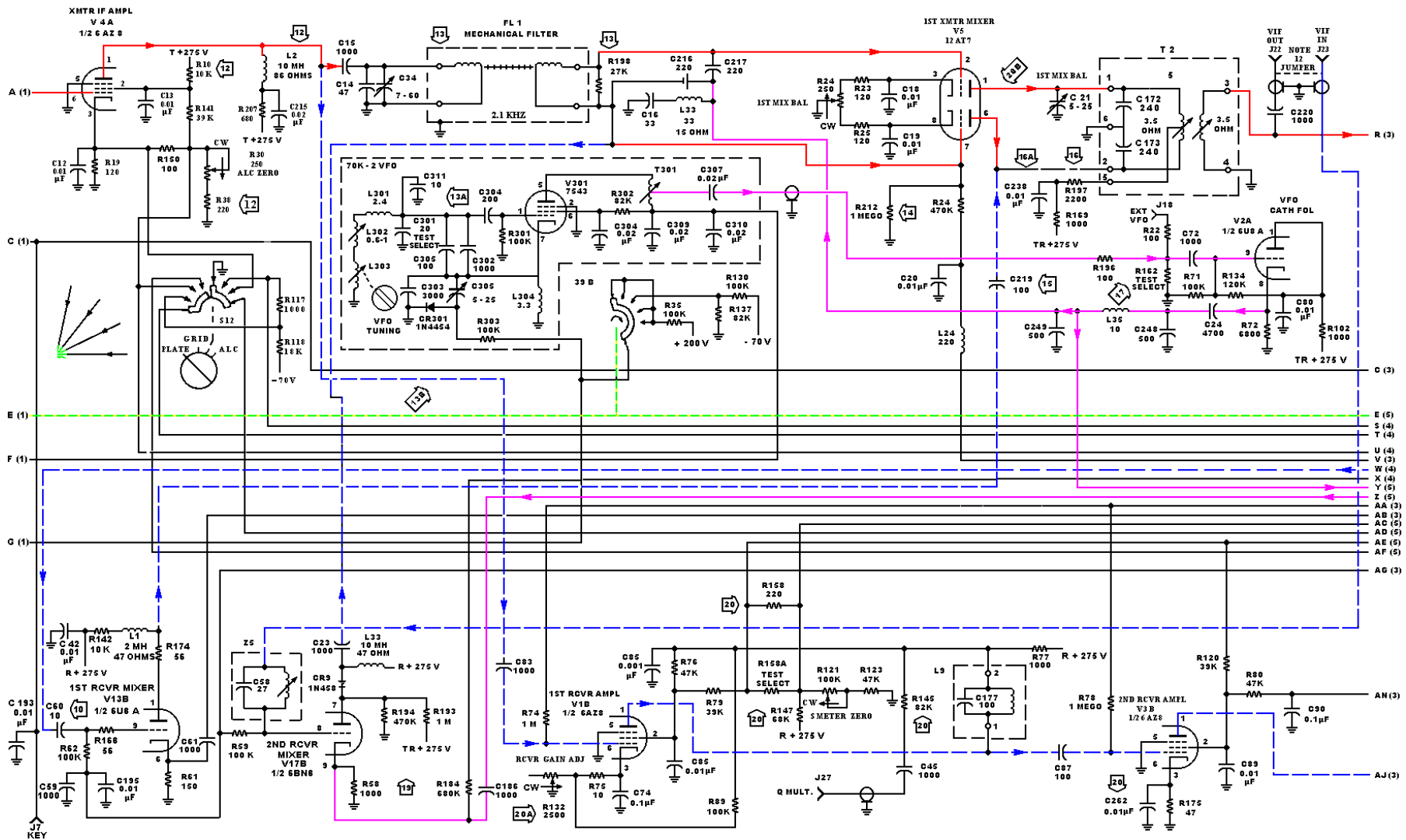


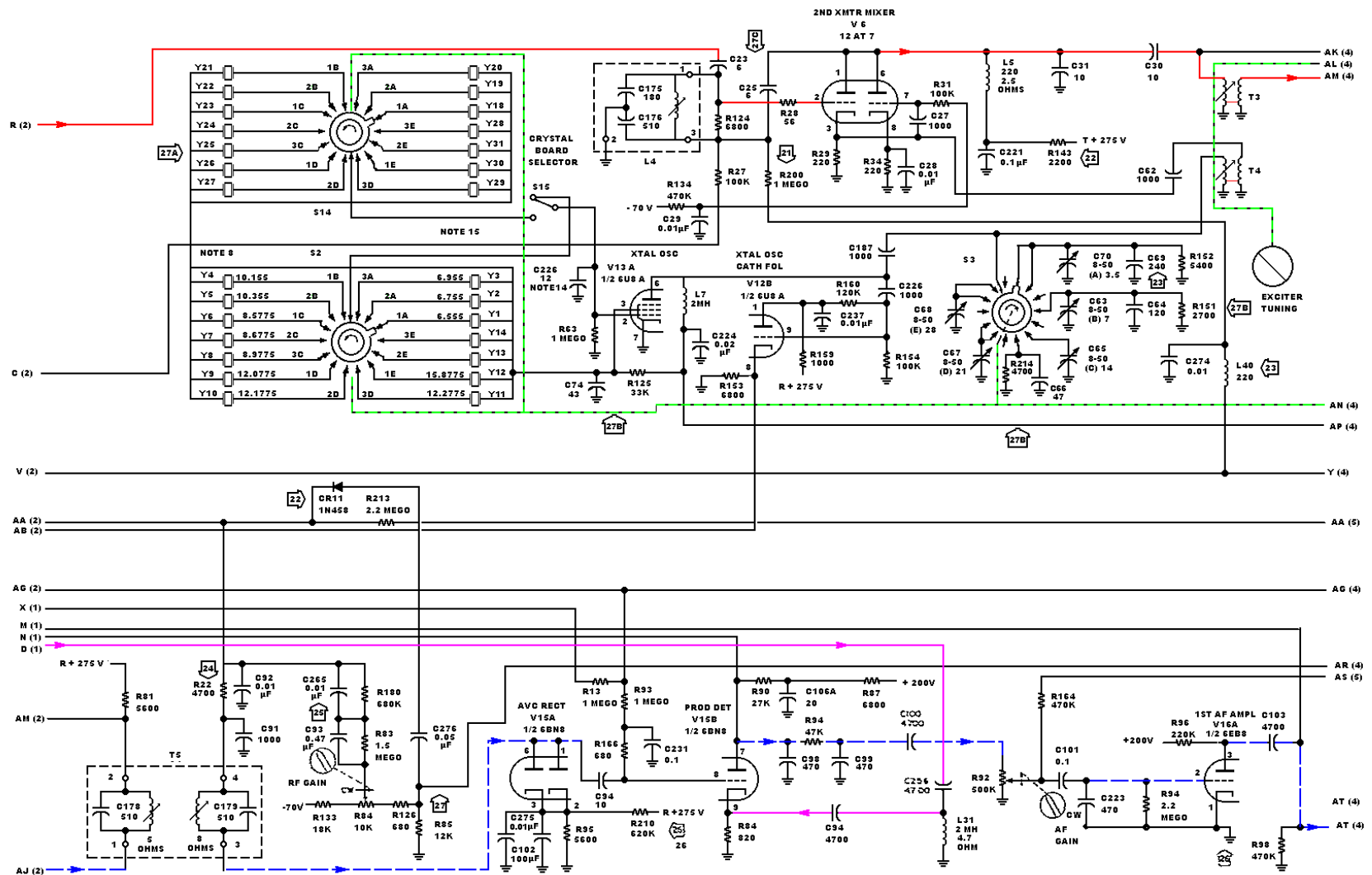
KWM-2 and KWM-2A Transceivers Schematic Diagram
figure 7-1 (sheet 1 of 5)

Revised 15 February 1975



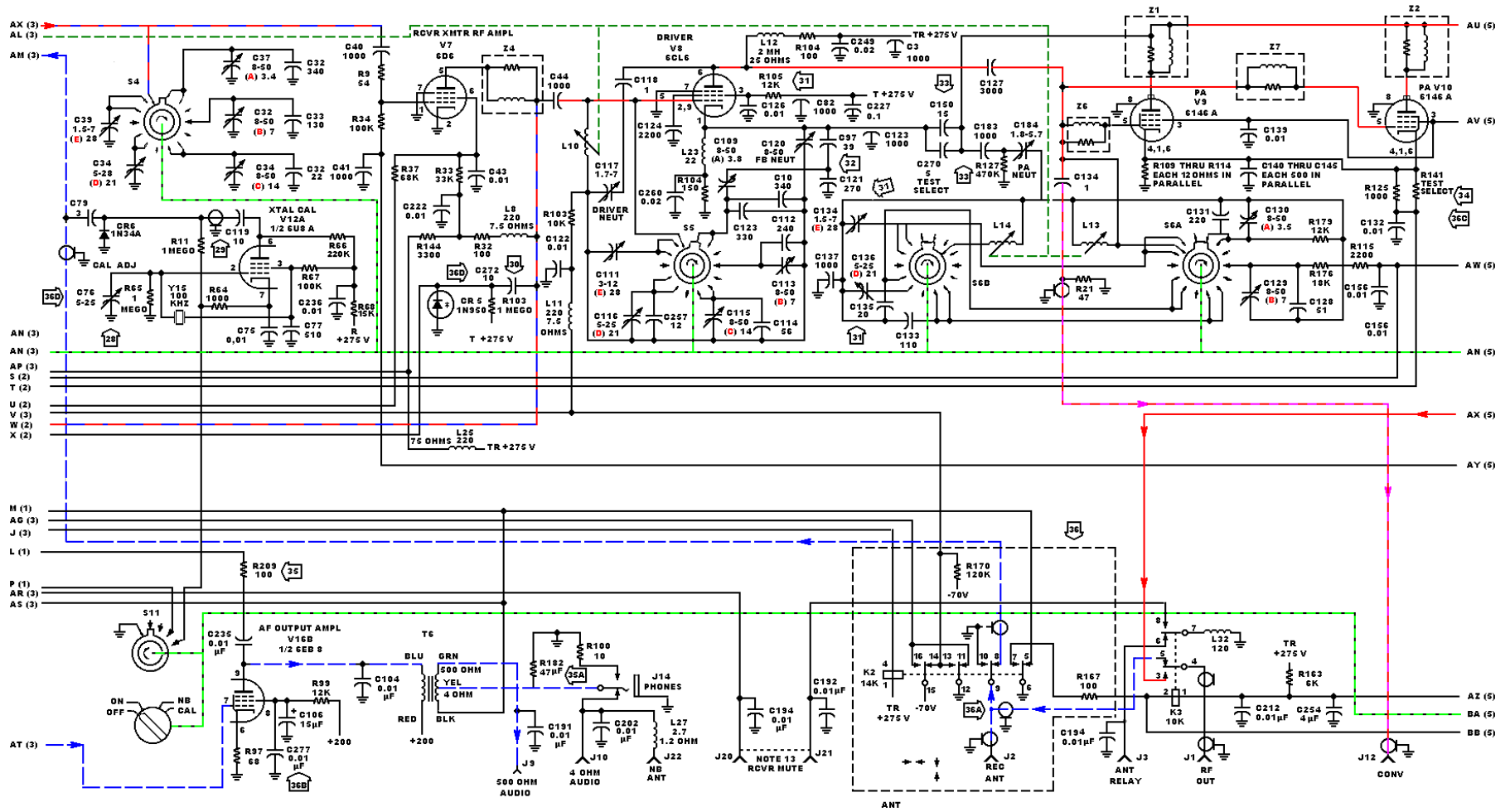
KWM-2 and KWM-2A Transceivers, Schematic Diagram
 Figure 7-1 (Sheet 2)

Revised 15 February 1975



KWM-2 and KWM-2A Transceivers, Schematic Diagram
Figure 7-1 (Sheet 3)

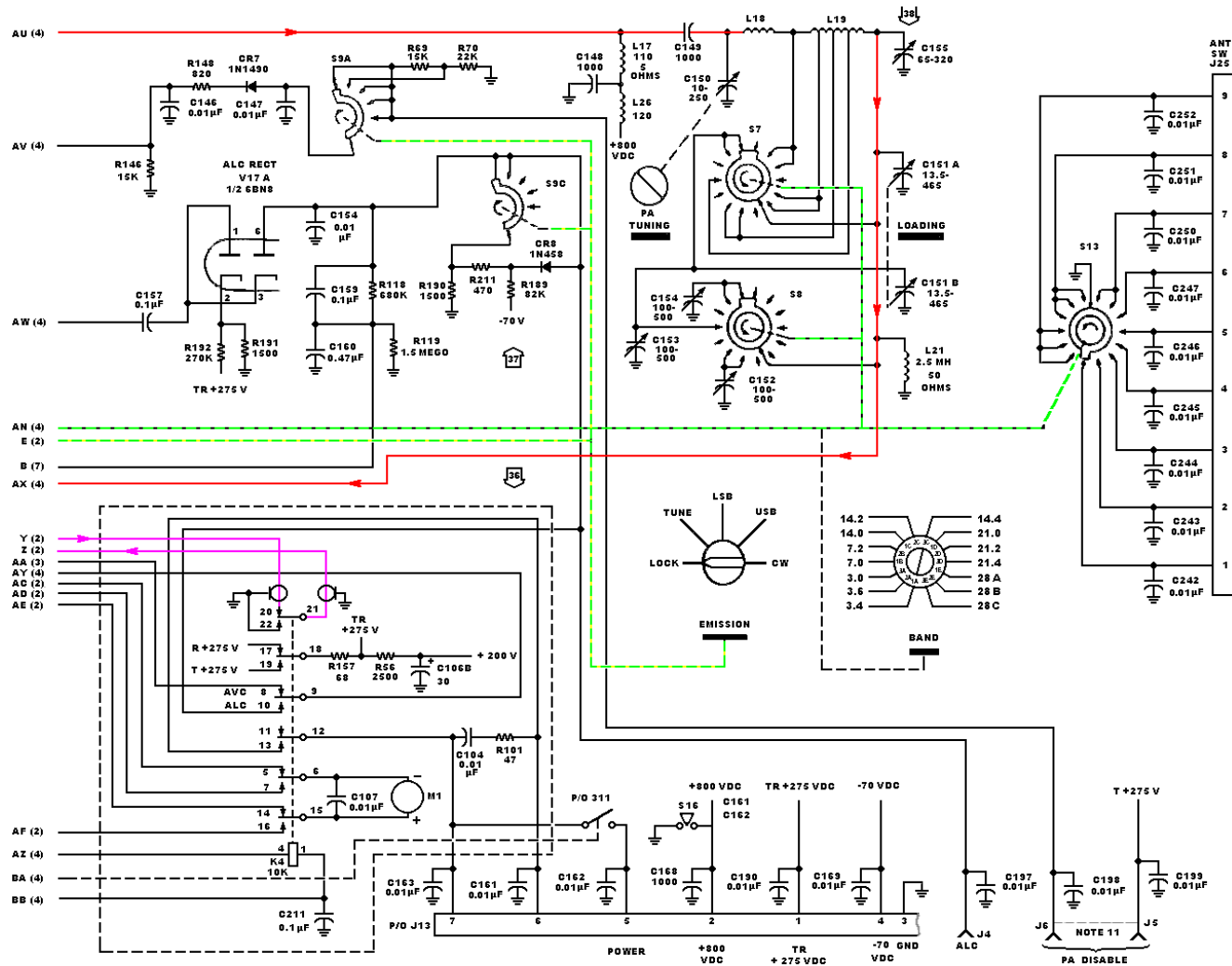
Revised 15 February 1975



KWM-2 and KWM-2A Transceivers, Schematic Diagram

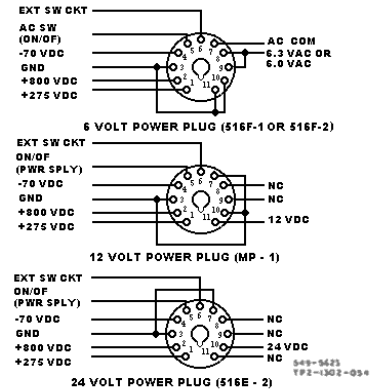
Figure 7-1 (Sheet 4)

Revised 15 February 1975



NOTES:

1. READ WIRE DESTINATIONS AS FOLLOWS:
LINE R (4) SCHEMATIC SHEET NO.
2. UNLESS OTHERWISE INDICATED, RESISTANCE VALUES ARE IN OHMS, CAPACITANCE VALUES ARE IN PICOFARADS, AND INDUCTANCE VALUES ARE IN MICROHENRYS
3. T AND R DESIGNATIONS ON SUPPLY VOLTAGE LINES INDICATE THAT VOLTAGE IS PRESENT DURING TRANSMIT AND/OR RECIEVE.
4. INDUCTOR AND TRANSFORMER DC RESISTANCE VALUES LESS THAN 1 OHM ARE NOT SHOWN.
5. SIGNAL PATH LEGEND
TRANSMIT (red solid line)
RECEIVE (green dashed line)
TRANSMIT AND RECEIVE (blue dashed line)
6. WHEN EXTERNAL VFO IS NOT USED JUMPER J17 PINS 2 AND 3, 6 AND 7
7. MIKE JACK J15 MATES WITH PLUG PL-68 OR EQUIVALENT.
8. BAND SWITCHES ARE SHOWN AT 3.4 MHZ.
9. REFER TO 136B-2 INSTRUCTION 800K FOR CONNECTIONS REQUIRED AT J24-3 AND AT J26 WHEN NOISE BLANKER IS USED.
10. S10 CLOSED AT MAXIMUM CCW POSITION OF R8
11. J5 AND J6 JUMPERED UNLESS VHF CONVERTERS ARE USED.
12. J22 AND J23 JUMPERED UNLESS NOISE BLANKER IS USED.
13. J20 AND J21 JUMPERED UNLESS EXTERNAL SWITCH IS USED TO MUTE RECEIVER
14. C226 IS INSTALLED IN KWM2 ONLY
15. S14, S15 AND HOLDERS FOR CRYSTALS Y18 THRU Y31 ARE INSTALLED IN KWM - 2A ONLY.
16. EXTERNAL POWER CONNECTIONS MADE TO THE KWM - 2/A ARE AS FOLLOWS:



KWM-2 and KWM-2A Transceivers, Schematic Diagram
Figure 7-1 (Sheet 5)

Revised 15 February 1975