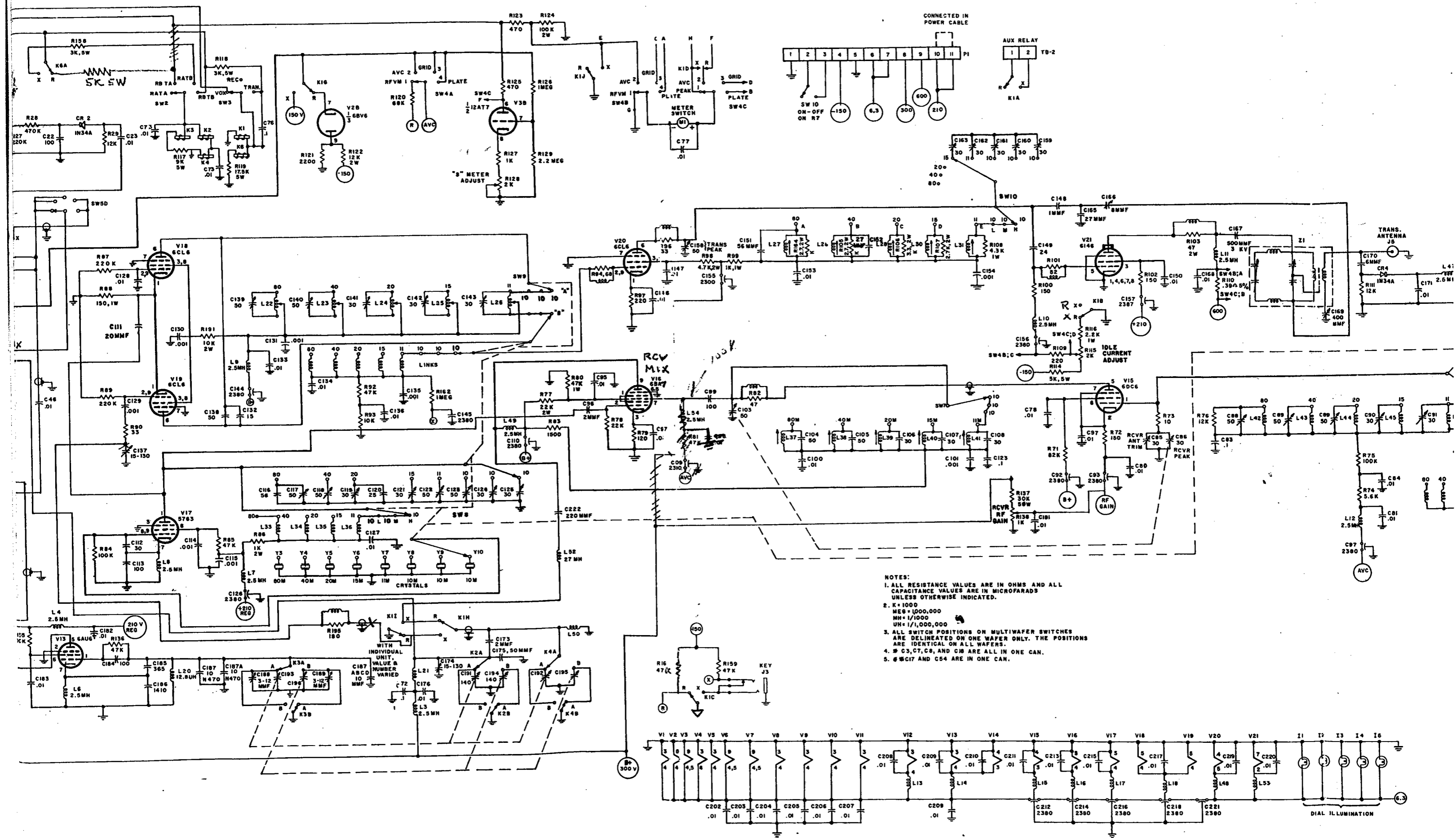


FIGURE 14. COSMOPHONE "35"-SCHEMATIC



NOTES:  
 1. ALL RESISTANCE VALUES ARE IN OHMS AND ALL CAPACITANCE VALUES ARE IN MICROFARADS UNLESS OTHERWISE INDICATED.  
 2. K = 1000  
 MEG = 1,000,000  
 MH = 1/1000  
 UM = 1/1,000,000  
 3. ALL SWITCH POSITIONS ON MULTIWAFFER SWITCHES ARE DELINEATED ON ONE WAFER ONLY. THE POSITIONS ARE IDENTICAL ON ALL WAFERS.  
 4. \* C3, C7, C8, AND C9 ARE ALL IN ONE CAN.  
 5. @ C17 AND C54 ARE IN ONE CAN.

FIGURE 14. COSMOPHONE "35"-SCHEMATIC DIAGRAM

