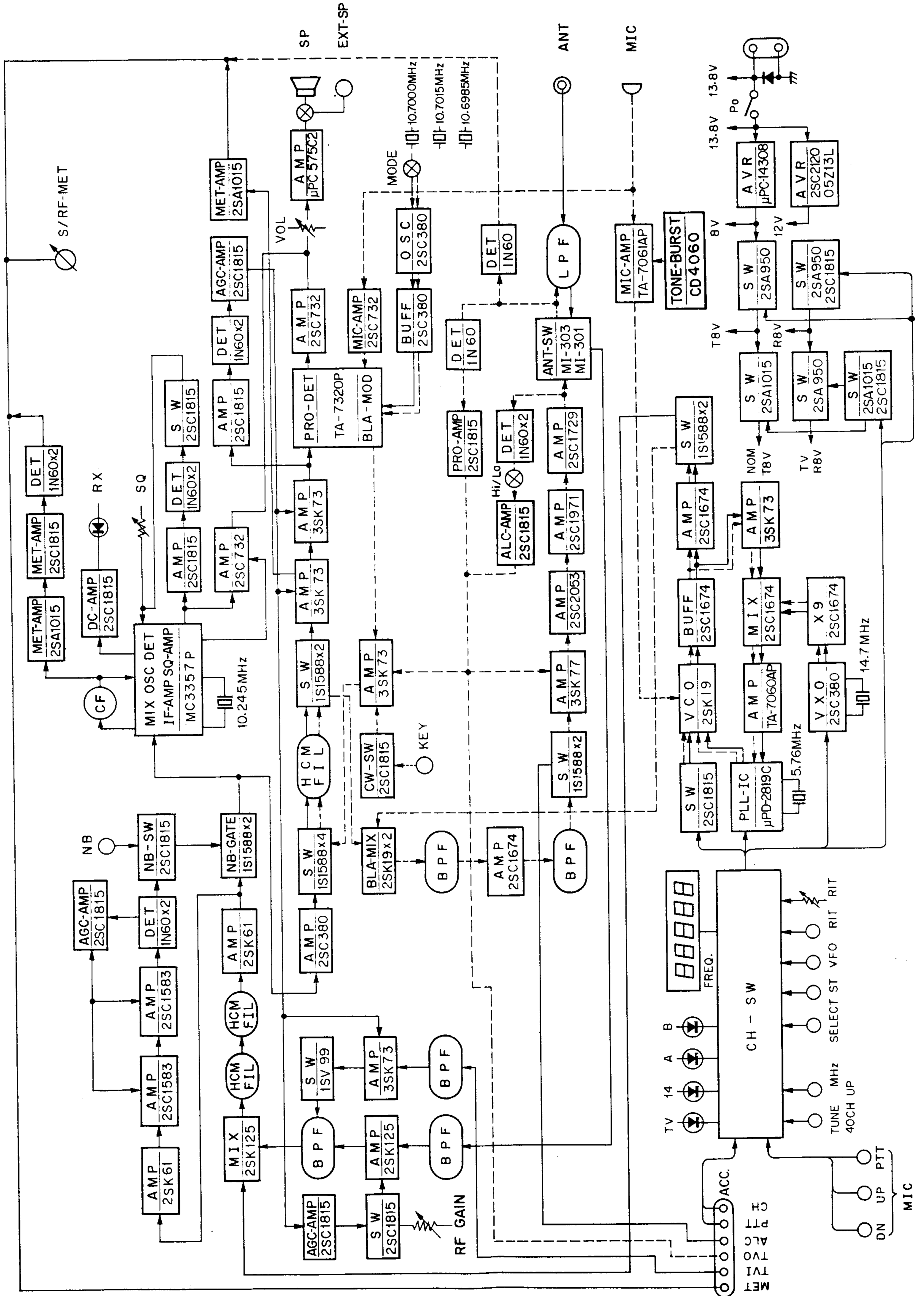
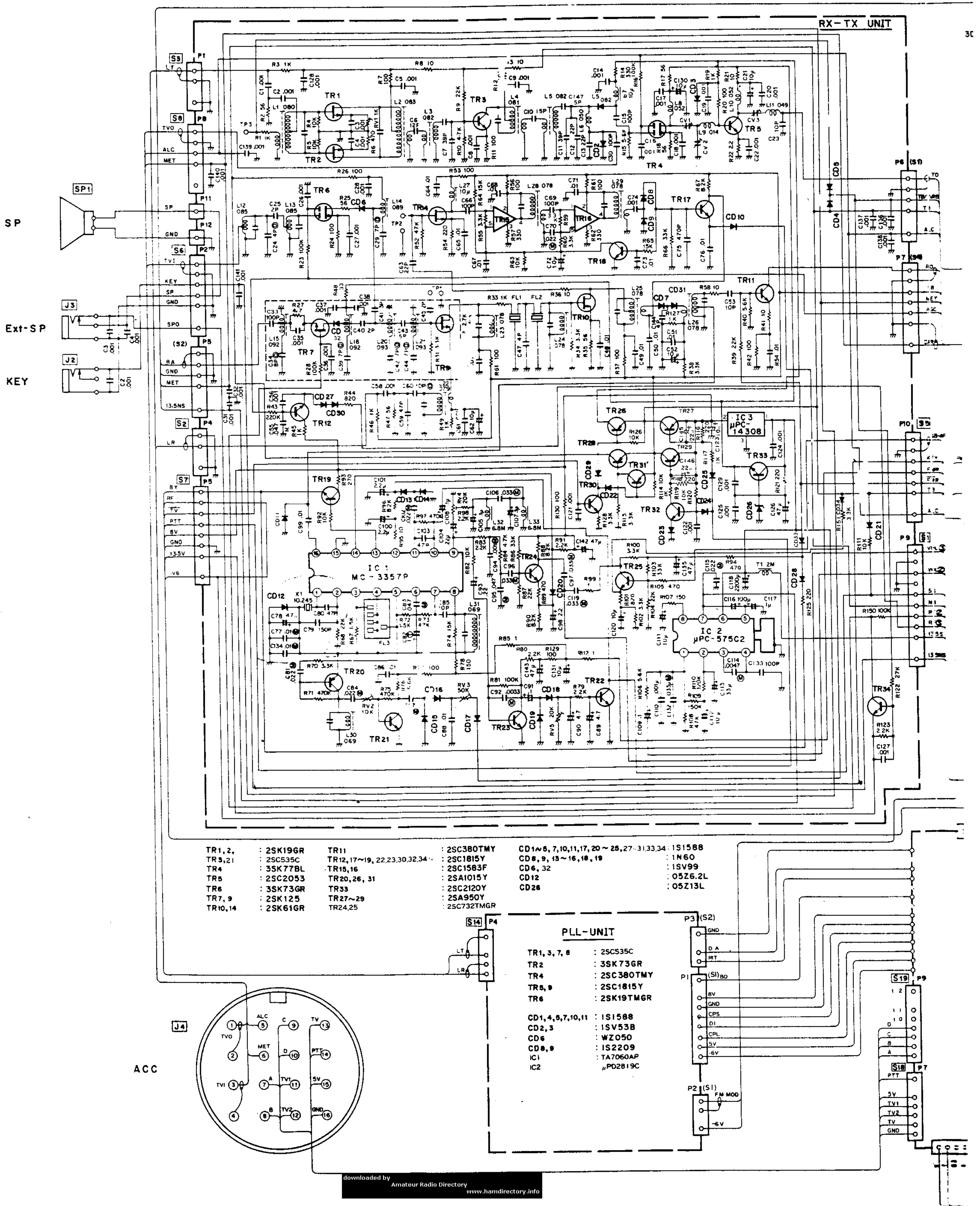
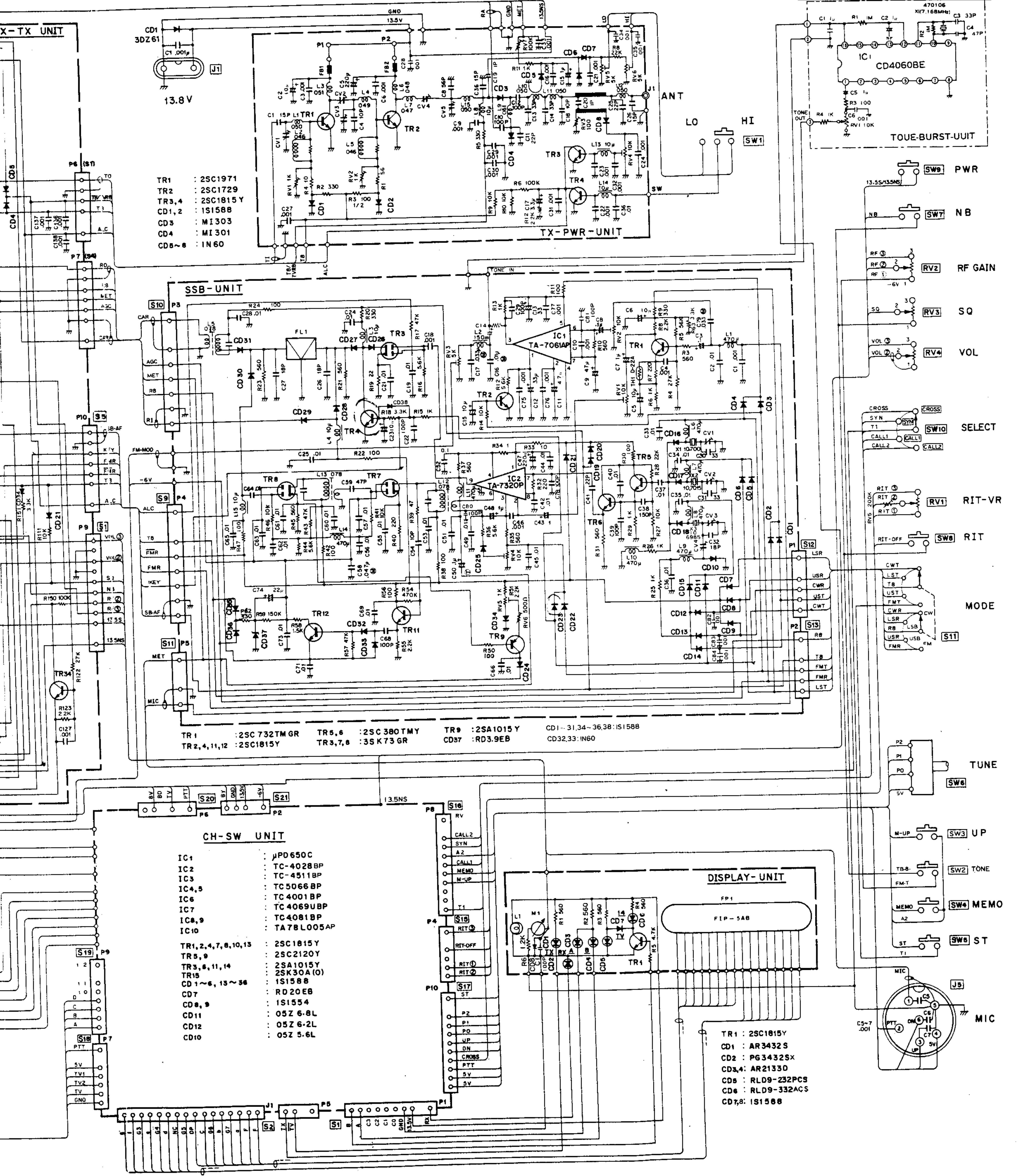


BLOCK DIAGRAM



MULTI-750A/E SCHEMATIC DIAGRAM / ASSEMBLY UNIT





- TR1 : 2SC1971
 TR2 : 2SC1729
 TR3,4 : 2SC1815 Y
 CD1,2 : 1S1588
 CD3 : MI303
 CD4 : MI301
 CD5-8 : 1N60

SSB-UNIT

- TR1 : 2SC732T MGR TR5,6 : 2SC380TMY TR9 : 2SA1015 Y
 TR2,4,11,12 : 2SC1815Y TR3,7,8 : 3SK73 GR CD37 : RD3.9EB
 CD1-31,34-36,38 : 1S1588
 CD32,33 : 1N60

CH-SW UNIT

- IC1 : μPD650C
 IC2 : TC-4028BP
 IC3 : TC-4511BP
 IC4,5 : TC5066BP
 IC6 : TC4001BP
 IC7 : TC4069UBP
 IC8,9 : TC4081BP
 IC10 : TA78L005AP
 TR1,2,4,7,8,10,13 : 2SC1815 Y
 TR5,9 : 2SC2120Y
 TR3,6,11,14 : 2SA1015Y
 TR15 : 2SK30A(O)
 CD1-6,13-36 : 1S1588
 CD7 : RD20EB
 CD8,9 : 1S1554
 CD11 : 05Z 6-8L
 CD12 : 05Z 6-2L
 CD10 : 05Z 5.6L

DISPLAY-UNIT

- TR1 : 2SC1815Y
 CD1 : AR3432S
 CD2 : PG34325X
 CD3,4 : AR21330
 CD5 : RLD9-232PCS
 CD6 : RLD9-332ACS
 CD7,8 : 1S1588

PWR

NB

RF GAIN

SQ

VOL

SELECT

RIT-VR

RIT

MODE

TUNE

UP

TONE

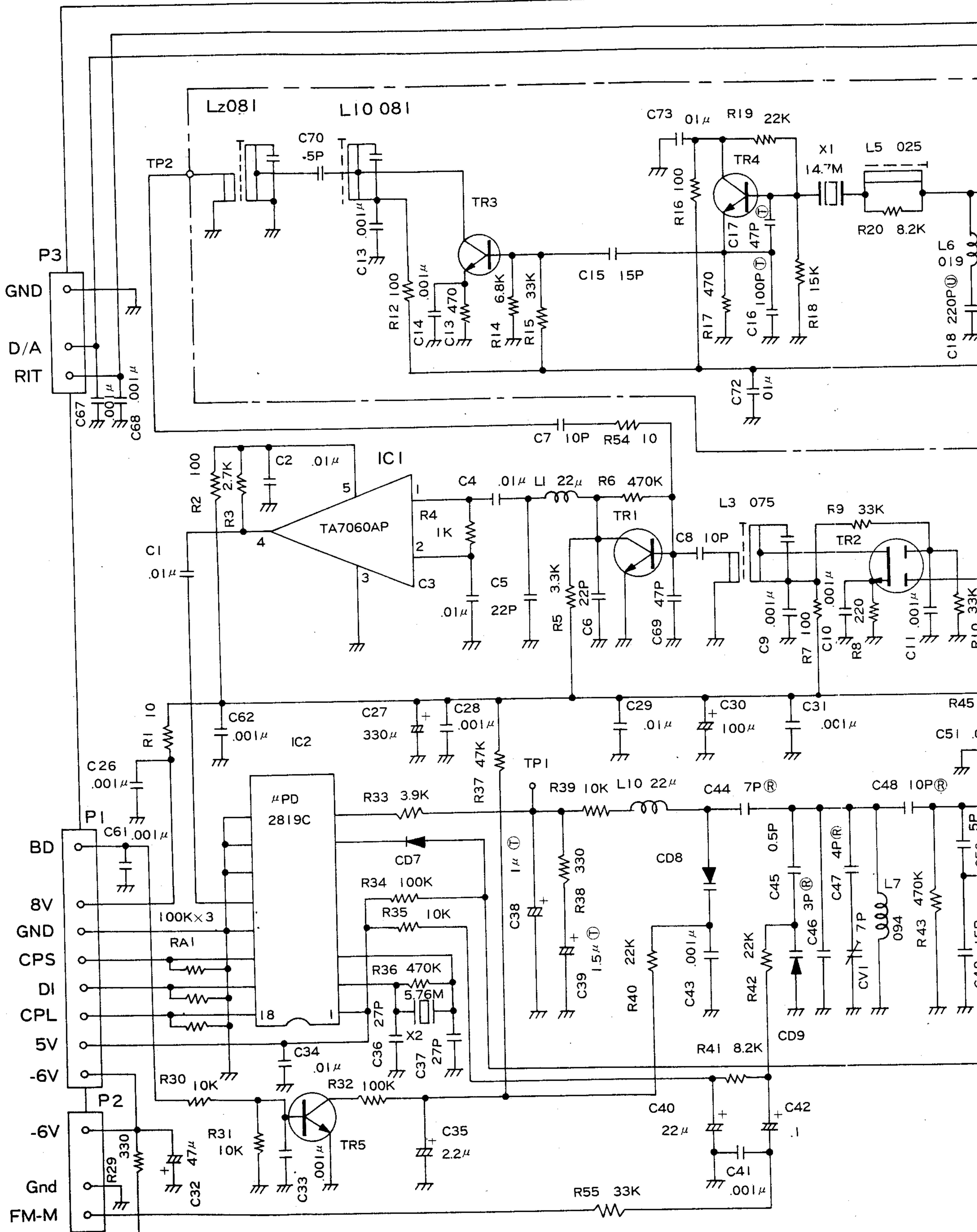
MEMO

ST

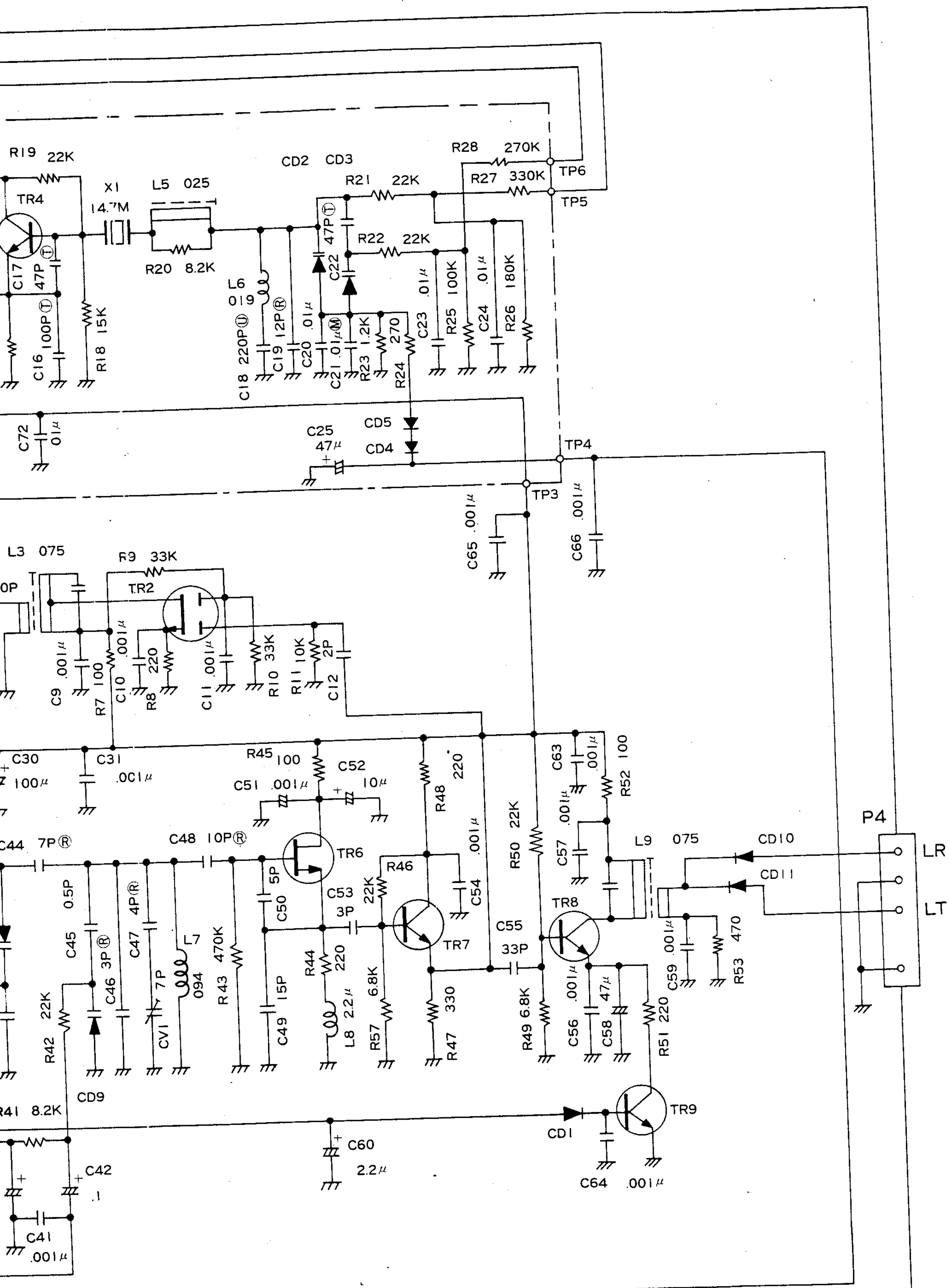
MIC

MULTI-750A/E P.L.L. CIRCUIT DIAGRAM

downloaded by
Amateur Radio Directory
www.hamdirectory.info



CD6	TR2	: 3SK73GR	TR5,9	: 2SC1815Y	CD1,4,5,7,10,11:
	TR6	: 2SK19TMGR	CD2,3	: ISV53B	
	TR1,3,7,8	: 2SC535C	CD8,9	: IS2209	
	TR4	: 2SC380TMY	CD6	: WZ050	

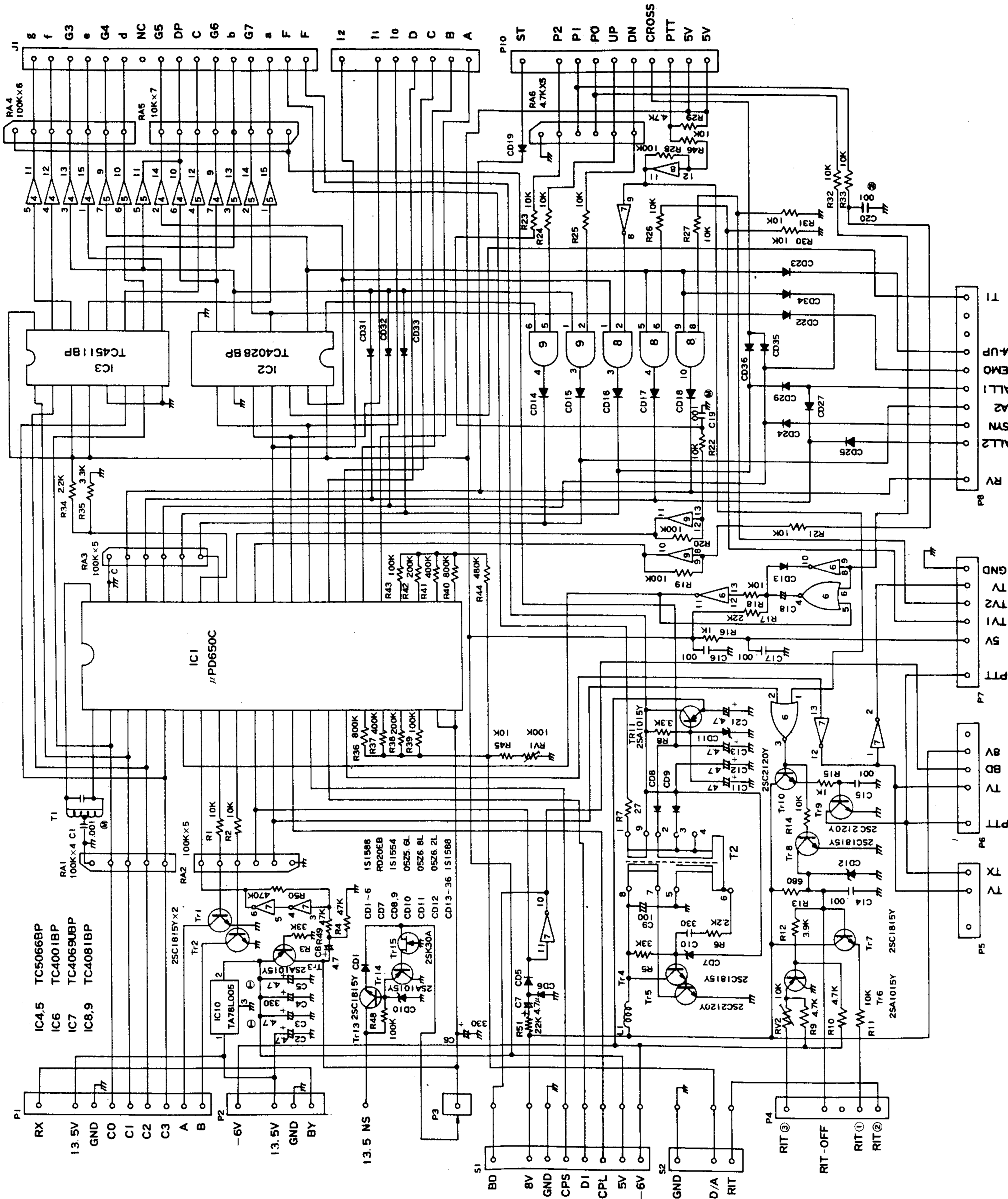


SC1815Y
V53B
2209
Z050

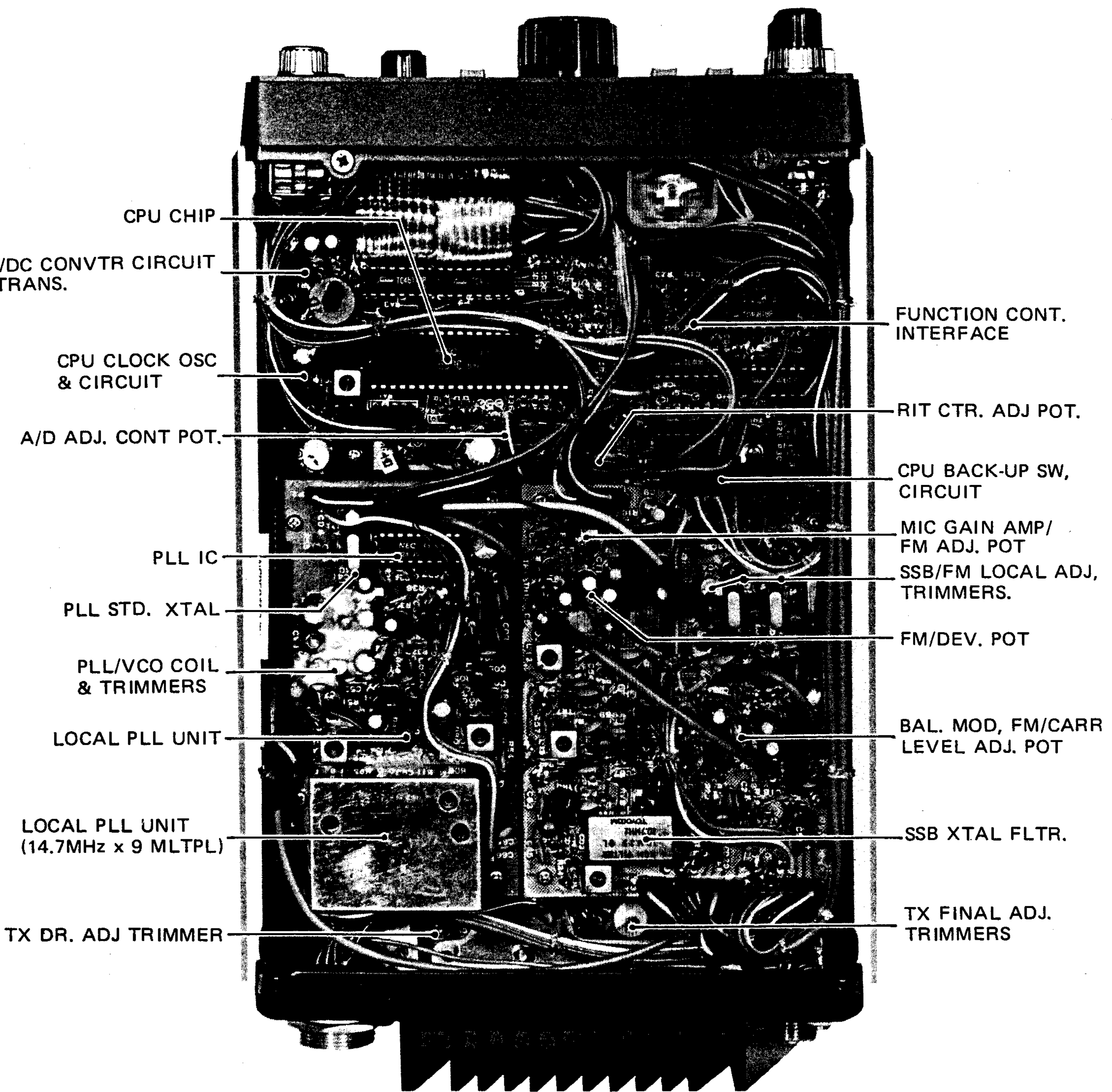
CD1,4,5,7,10,11: IS1588

CHANNEL SWITCHING CIRCUIT DIAGRAM

downloaded by Amateur Radio Directory
www.hamdirectory.info



TOP VIEW WITH COVER REMOVED:



CPU CHIP

AC/DC CONVTR CIRCUIT & TRANS.

CPU CLOCK OSC & CIRCUIT

A/D ADJ. CONT POT.

PLL IC

PLL STD. XTAL

PLL/VCO COIL & TRIMMERS

LOCAL PLL UNIT

LOCAL PLL UNIT (14.7MHz x 9 MLTPL)

TX DR. ADJ TRIMMER

FUNCTION CONT. INTERFACE

RIT CTR. ADJ POT.

CPU BACK-UP SW, CIRCUIT

MIC GAIN AMP/ FM ADJ. POT

SSB/FM LOCAL ADJ, TRIMMERS.

FM/DEV. POT

BAL. MOD, FM/CARR LEVEL ADJ. POT

SSB XTAL FLTR.

TX FINAL ADJ. TRIMMERS

BOTTOM VIEW WITH COVER REMOVED

