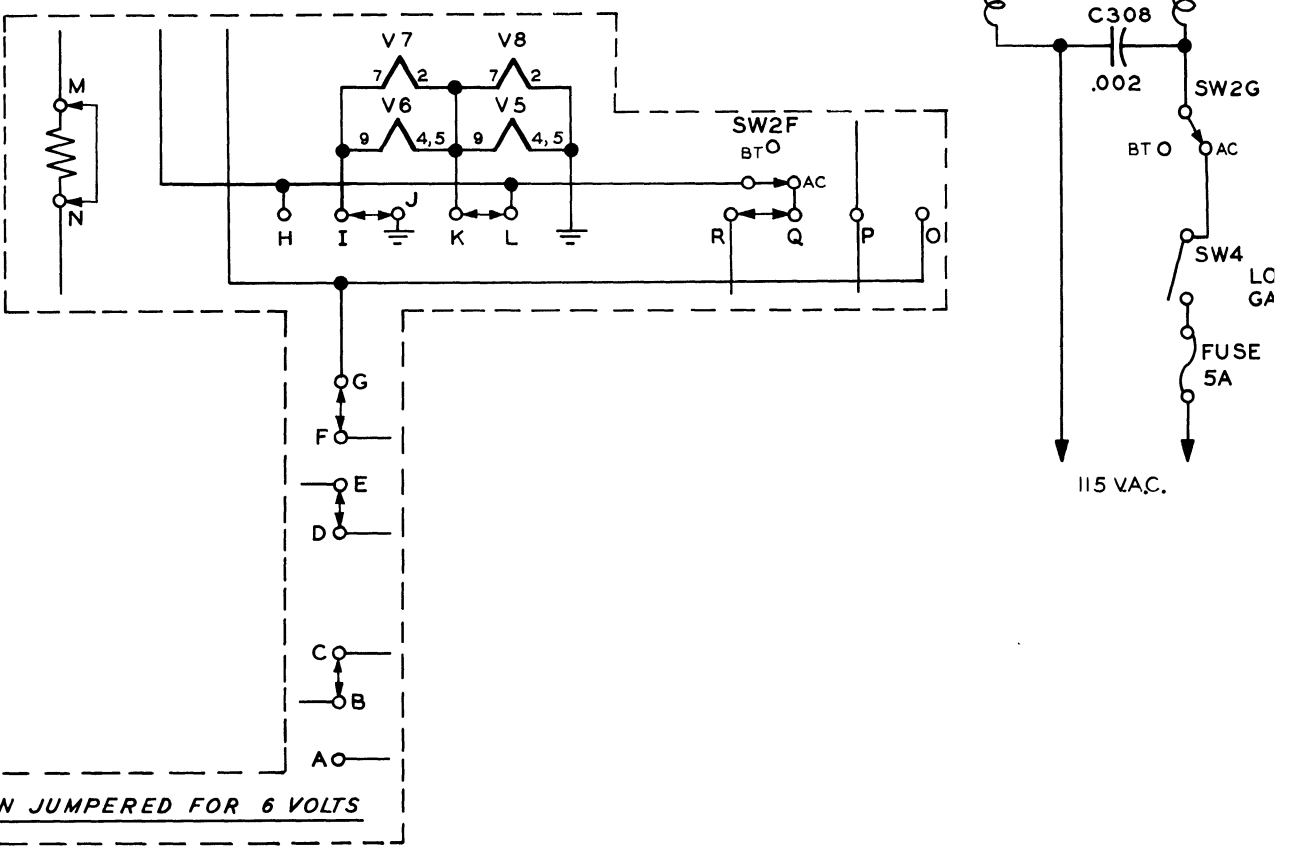
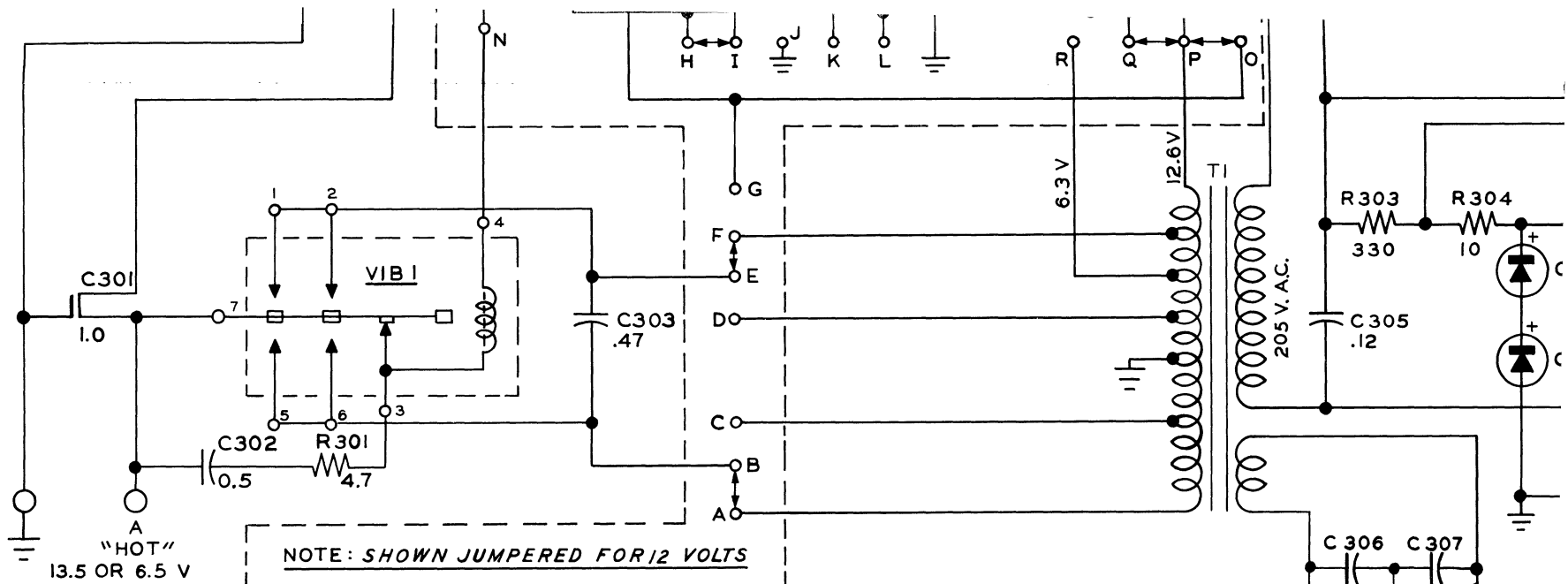


- R201 470K, ½ WATT
- R202 47K, ½ WATT
- R203 100K, ½ WATT
- R204 1500 OHMS, ½ WATT
- R205 250K, POT. AF TAPER
- R206 100K, ½ WATT
- R207 150K, ½ WATT
- R208 100K, ½ WATT
- R209 27K, ½ WATT
- R210 1000 OHMS, ½ WATT
- R211 10 OHMS, ½ WATT, WW 5%
- R212 360 OHMS, ½ WATT, WW 5%
- R213 30K, 10 WATT, WW
- R214 4.7K, 4 WATT, WW

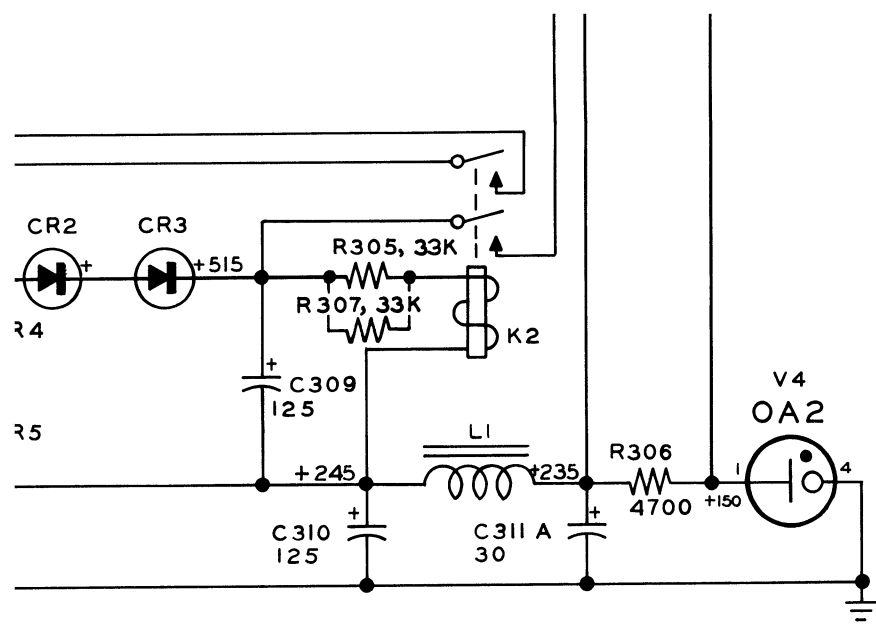
- R301 4.7 OHMS, 1 WATT
- R302 5 OHMS, 5 WATT, WW
- R303 330 OHMS, 2 WATT
- R304 10 OHMS, 7 WATT, WW
- R305 33K, 2 WATT

- R306 4.7K, 4 WATT, WW
- R307 33K, 2 WATT

- C201 97 μF, TUBULAR CERAMICON
- C202 470 μF, GMV DISC CERAMICON
- C203 25 μF, 25V ELECTROLYTIC
- C204 .002 μF, GMV DISC CERAMICON
- C205 .004 μF, GMV DISC CERAMICON
- C206 .001 μF, GMV DISC CERAMICON
- C207 25 μF, 25V ELECTROLYTIC
- C208 .0068 μF, 2000V DC TUBULAR



510-029
1-7-58



POWER SUPPLY & MODULATOR

G77A TRANSMITTER

Voltage Tests Made

With A 20,000 Ohms per Volt Meter

FACTORY JUMPERED FOR 12 VOLTS

MODEL 3201

ATED ON
CONTROL

C202 470 μ F, GMV DISC CERAMICON
 C203 25 μ F, 25V ELECTROLYTIC
 C204 .002 μ F, GMV DISC CERAMICON
 C205 .004 μ F, GMV DISC CERAMICON
 C206 .001 μ F, GMV DISC CERAMICON
 C207 25 μ F, 25V ELECTROLYTIC
 C208 .0068 μ F, 2000V DC TUBULAR

C301 1.0 μ F, 50V HASH FILTER
 C302 .5 μ F, 200V PAPER TUBULAR
 C303 .47 μ F, 200V PAPER TUBULAR
 C304 250 μ F, 25WV DC ELECTROLYTIC
 C305 .12 μ F, 1000V DC OIL FILLED
 C306 .002 μ F, GMV 1KV DISC
 C307 .002 μ F, GMV 1KV DISC
 C308 .002 μ F, GMV 1KV DISC

C309 125 μ F, 350V ELECTROLYTIC
 C310 125 μ F, 350V ELECTROLYTIC
 C311-A 30 μ F, 350V } ELECTROLYTIC
 C311-B 30 μ F, 350V }

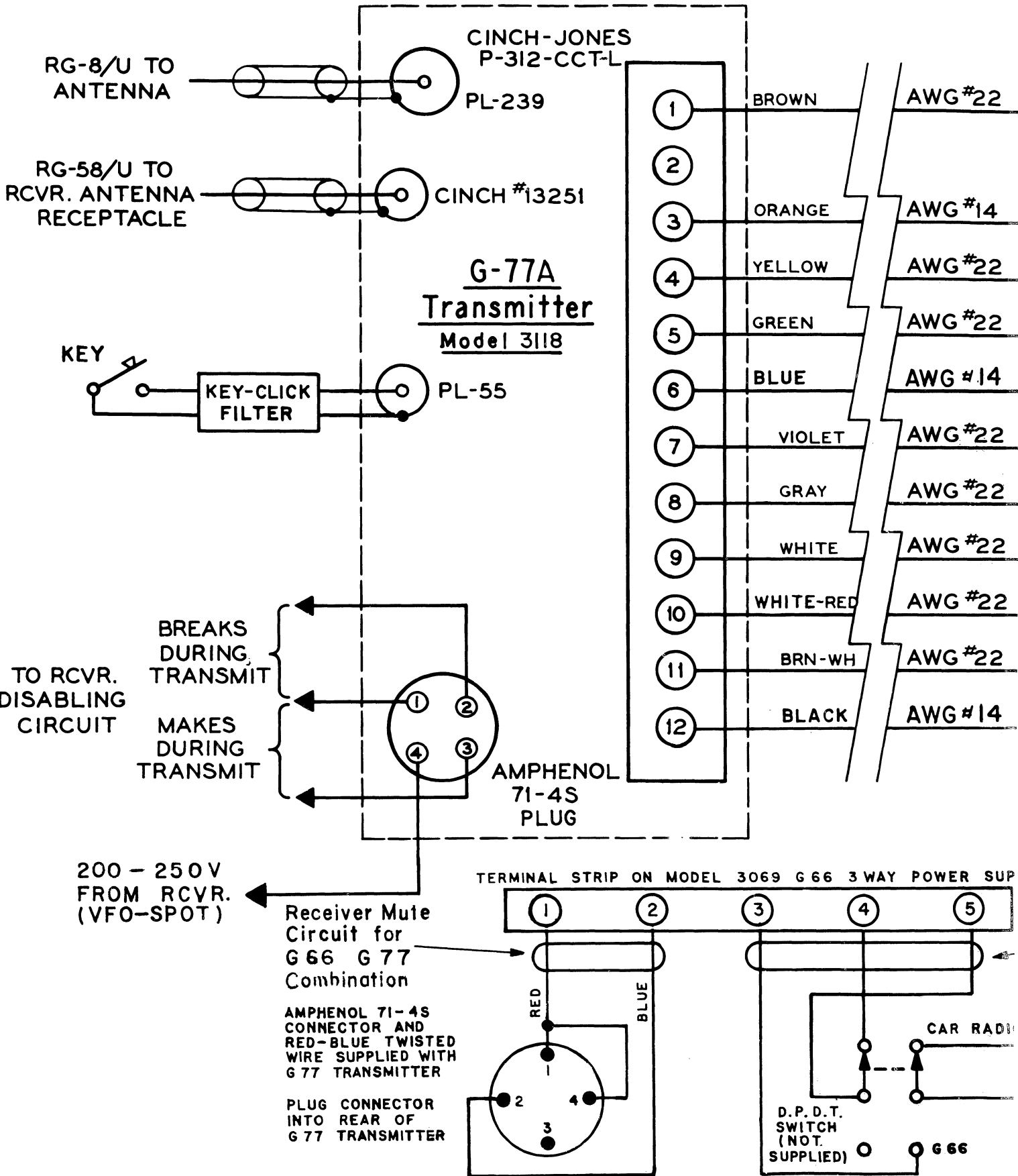
CR1 SARKES TARZIAN, TYPE 10M (IN1081)
 CR2 }
 CR3 } SARKES TARZIAN, TYPE M-500 (IN1084)
 CR4 }
 CR5 }

FUSE 5 AMP. 250V 3AG

K1 RELAY, ADVANCE, TYPE GHA1C12VA
 K2 RELAY, POTTER & BRUMFIELD, KA-1211
 10K OHMS COIL

T1 POWER TRANSFORMER # 271-002
 T2 DRIVER TRANSFORMER # 64-063-00
 T3 MODULATION TRANSFORMER # 64-064-00

VIB 1 VIBRATOR, CORNELL-DUBILIER, TYPE 6VL10



IMPORTANT: DO NOT CONNECT SHIELD TO CONNECTOR SHELL.

CINCH-JONES
P-312-CCT-L

AMPHENOL
80-MC2M

Model 3201
Modulator-
Power Supply

AMPHENOL
91-MPM3L

AMPHENOL
91-MPF3

PUSH-TO-TALK

115 V.A.C. TV CHEATER CORD
CORNISH # 3185

"HOT" A

GND.

MULTI-ELECTRIC # 2501
FUSE HOLDER

VEHICLE
BATTERY

G-66 / G-77
INSTALLATION
CABLING DIAGRAM

Speaker Switching
Circuit (to use
Car Radio Speaker)

POWER SUPPLY

CAR RADIO

CAR RADIO
OUTPUT

CAR
RADIO
SPEAKER

G 66

