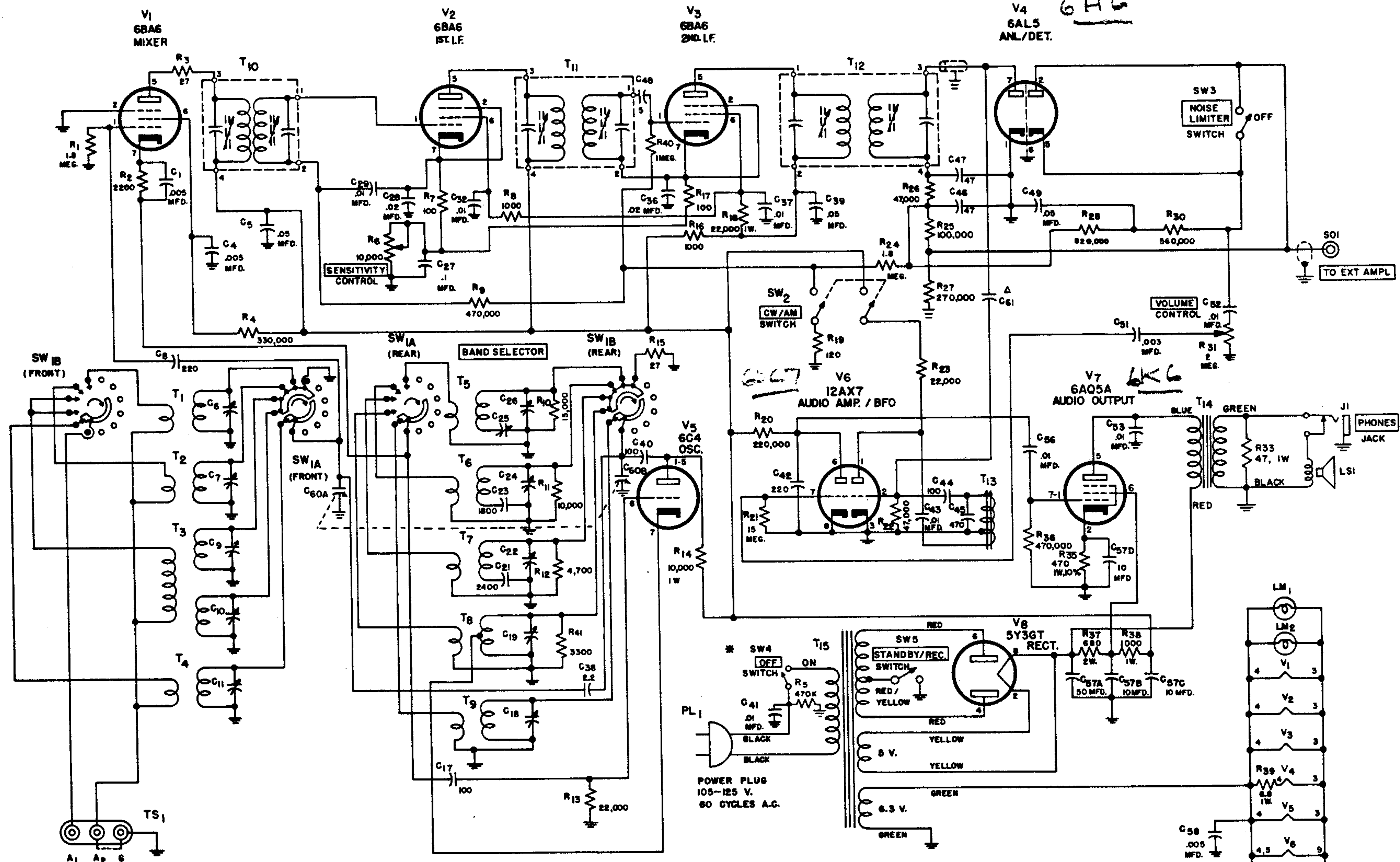


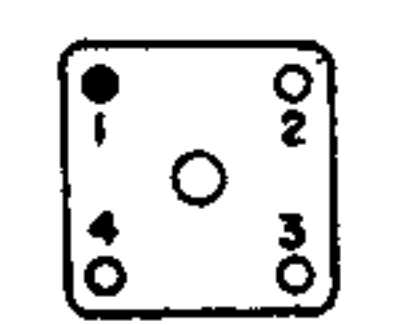
110
2.5 MHz

6HG



VALUES & TOLERANCES SHOWN ARE NOMINAL AND VARIATIONS MAY BE FOUND. IT IS RECOMMENDED THAT THE VALUE OF ANY REPLACEMENT CORRESPOND TO THE NOMINAL VALUE OF THE PART BEING REPLACED.

BAND SELECTOR POSITION	SWITCH SW. 1 RANGE
A	540-1650 KC.
B	2.5 - 6.6 MC.
C	6 - 11 MC.
D	15.5 - 32 MC.
E	47 - 55 MC.

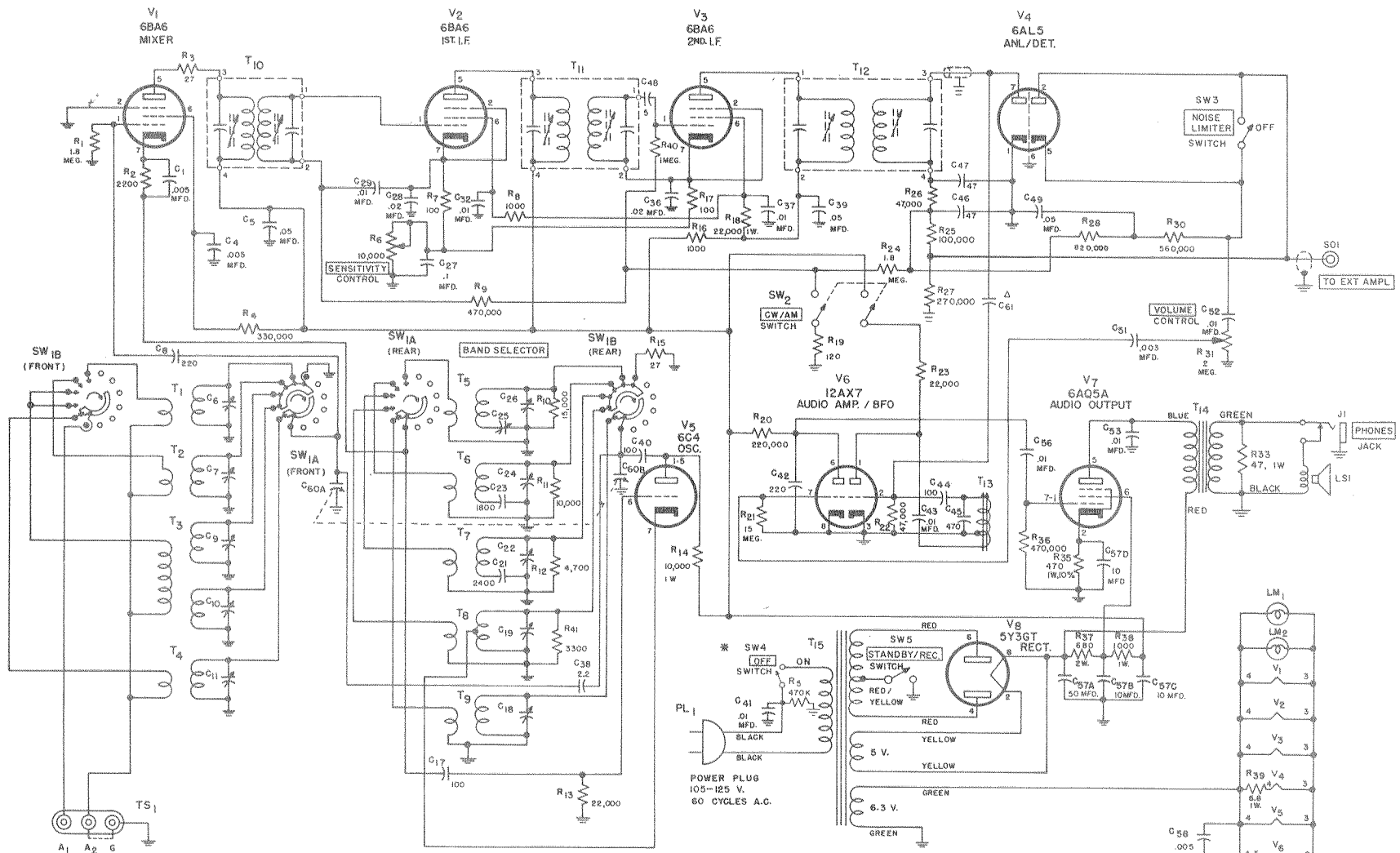


IF X'FMRS
T-10, 11 & 12.

NOTE:
SWITCH SHOWN IN POSITION E.

NOTES
RESISTOR VALUES ARE IN OHMS.
CAPACITOR VALUES ARE IN MMF UNLESS OTHERWISE SPECIFIED.
⊥ CHASSIS
* ON-OFF SWITCH SW4 IS PART OF VOLUME CONTROL R31.
Δ WIRE GIMMICK

Figure 7. Schematic Diagram.



VALUES & TOLERANCES SHOWN ARE NOMINAL AND VARIATIONS MAY BE FOUND. IT IS RECOMMENDED THAT THE VALUE OF ANY REPLACEMENT CORRESPOND TO THE NOMINAL VALUE OF THE PART BEING REPLACED.

BAND SELECTOR POSITION	SWITCH SW. 1 RANGE
A	540-1650 KC.
B	2.5-6.6 MC.
C	6-11 MC.
D	13.5-32 MC.
E	47-55 MC.



NOTE: SWITCH SHOWN IN POSITION E.

NOTES
RESISTOR VALUES ARE IN OHMS. CAPACITOR VALUES ARE IN MMF UNLESS OTHERWISE SPECIFIED.
* CHASSIS
* ON-OFF SWITCH SW4 IS PART OF VOLUME CONTROL R31.
Δ WIRE GIMMICK

Figure 7. Schematic Diagram.