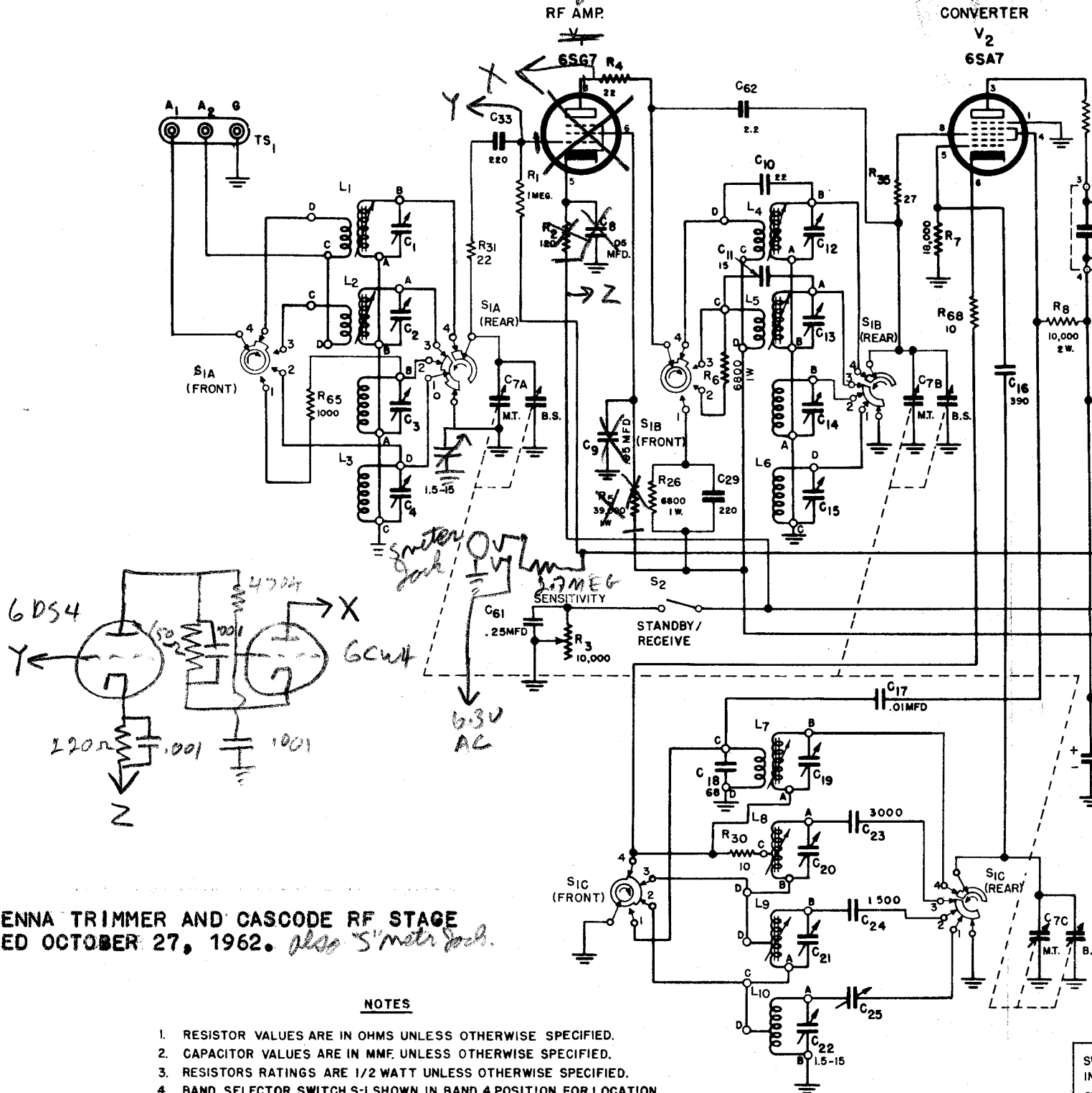


SERVICE PARTS LIST

Schematic Symbol	Description	Hallicrafters Part Number	Schematic Symbol	Description	Hallicrafters Part Number
CAPACITORS			COILS AND TRANSFORMERS (Cont.)		
C-1,2,3,12,13,14,19,20,21	Trimmers; part of coils L-1,2,3,4,5,6,7,8 and 9 respectively	- - - - -	L-6	Coil, RF; bands 1 and 2	51B1240
C-4,15,22	Trimmer, 1.5-15 mmf.	44A191	L-7	Coil, oscillator; band 4	51B791
C-7A,B&C	Tuning capacitor, 3 section	48C240	L-8	Coil, oscillator; band 3	51B913
C-8,32,35,58,59,60	.05 mfd. 200 V., tubular	46AU503J	L-9	Coil, oscillator; band 2	51B789
C-9,28	.05 mfd. 600 V., tubular	46AY503J	L-10	Coil, oscillator; band 1	51B912
C-10	22 mmf. 500 V., ceramic	47X21UK220M	L-11	Coil, BFO	54B044
C-11	15 mmf. 500 V., ceramic	47X21UK150M	T-1,2	Transformer, 1st and 2nd IF	50C243
C-16	390 mmf. 500 V., mica	47X20B391K	T-3	Transformer, IF; detector stage	50C242
C-17,53	.01 mfd. 600 V., tubular	46AY103J	T-4	Transformer, audio output	55B093
C-18	68 mmf. 500 V., ceramic	47X25UK680K	T-5	Transformer, power; model S-40B	52A209
C-23	3000 mmf. 500 V., mica	47X30C302K	T-5	Transformer, power; model S-40BU	52C210
C-24	1500 mmf. 500 V., mica	47X30C152J	SWITCHES		
C-25	Padder; part of coil L-10	- - - - -	S-1A	Switch wafer, BAND SELECTOR; antenna stage	⊙ 60B389 or * 62B070
C-27A,B&C	30-10-10 mfd. 450 V., electrolytic	45A062	S-1B	Switch wafer, BAND SELECTOR; RF stage	⊙ 62B039 or * 62B072
C-29,33	220 mmf. 500 V., mica	47X20B221K	S-1C	Switch wafer, BAND SELECTOR; oscillator stage	⊙ 62B044 or * 62B071
C-31,43	.02 mfd. 200 V., tubular	46AU203J	S-2,3,5,6,	Switch, toggle (spst); STANDBY/RECEIVE, NOISE LIMITER, AVC and CW/AM	60A138
C-38	2 mmf., twisted wire assembly	- - - - -	S-4	Switch, PWR-TONE	60A225
C-39	.1 mfd. 600 V., tubular	46AY104J		Shaft and index plate, BAND SELECTOR	⊙ 60B392 or * 60B485
C-41,42	47 mmf. 500 V., mica	47X20B470M	PLUGS AND SOCKETS		
C-44,55	270 mmf. 500 V., mica	47X20B271K	J-1	Jack, PHONES	36A002
C-45,48,52,63	.02 mfd. 600 V., tubular	46AY203J	PL-1	Line cord and plug	87B1573
C-47	.002 mfd. 1000 V., tubular	46A104		Socket, dial lamp; main tuning dial	86A070
C-54	470 mmf. 500 V., mica	47X20B471J		Socket, dial lamp; band spread dial	86B049
C-56	.01 mfd. 600 V., molded tubular	46AC103J		Socket, octal tube	6A250
C-57	1000 mmf. 500 V., mica	47X25B102M	TUBES AND DIAL LAMPS		
C-61	.25 mfd. 200 V., tubular	46AT254J	V-1	6SG7: RF amplifier	90X6AG7
C-62	2.2 mmf. 500 V., bakelite	47A160-4	V-2	6SA7: converter	90X6SA7
C-64	10 mfd. 25 V., electrolytic	45A121	V-3,4	6SK7: 1st and 2nd IF amplifiers	90X6SK7
RESISTORS			V-5	6SC7: BFO and audio amplifier	90X6SC7
R-1,62	1 megohm 1/2 watt, carbon	23X20X105M	V-6	6K6GT: audio output	90X6K6GT
R-2	120 ohms 1/2 watt, carbon	23X20X121K	V-7	6H6: ANL, AVC and detector	90X6H6
R-3	10,000 ohms, SENSITIVITY control	25B590	V-8	5Y3GT: rectifier	90X5Y3GT
R-4,31	22 ohms 1/2 watt, carbon	23X20X220M	LM-1,2	Lamp, dial; Mazda #44	39A003
R-5	39,000 ohms 1 watt, carbon	23X30X393K	MISCELLANEOUS		
R-6,26	6800 ohms 1 watt, carbon	23X30X682K		Cabinet	66D359
R-7	18,000 ohms 1/2 watt, carbon	23X20X183K		Cabinet top cover	66D616
R-8	10,000 ohms 2 watts, carbon	23X40X103K		Cabinet front panel	68D157
R-9	470 ohms 1/2 watt, carbon	23X20X471K		Dial cord, 40 inch	38A001
R-10	12,000 ohms 4 watts, carbon	23X65CE123K		Dial, band spread	83B372
R-11,18,65	1000 ohms 1/2 watt, carbon	23X20X102K		Dial, main tuning	83C240
R-12,59	2.2 megohms 1/2 watt, carbon	23X20X225M		Foot, mounting; rubber	16A007
R-14	47,000 ohms 1/2 watt, carbon	23X20X473M		Glass, band spread dial	22A307
R-15,29,58	100,000 ohms 1/2 watt, carbon	23X20X104M		Glass, main tuning dial	22B199
R-20	500,000 ohms, VOLUME control	25A534		Iron core, RF	77A068
R-21	150 ohms 1/2 watt, carbon	23X20X151M		Knob, BAND SELECTOR	15A266
R-22	270,000 ohms 1/2 watt, carbon	23X20X274K		Knob, PITCH CONTROL	15A058
R-23,61	470,000 ohms 1/2 watt, carbon	23X20X474M		Knob, SENSITIVITY, VOLUME and TONE	15A049
R-24	680 ohms 1 watt, carbon	23X20X681K		Knob, TUNING and BAND SPREAD	15A048
R-25	15,000 ohms 1 watt, carbon	23X30X153M		Lock, line cord	76A397
R-27,66	47,000 ohms 1 watt, carbon	23X30X473K		Speaker, 5" PM	85B050
R-28	22,000 ohms 1/2 watt, carbon	23X20X223M		Spring, dial cord	75A012
R-30,68	10 ohms 1/4 watt, carbon	23X10X100M		Spring, retainer; band spread and main tuning drive shafts	75A062
R-32	1500 ohms 10 watts, WW	24BG152E	LS-1	Terminal strip, antenna	88A032
R-33	15 megohms 1/4 watt, carbon	23X10X156M			
R-34	10,000 ohms 1/2 watt, carbon	23X20X103M			
R-35	27 ohms 1/4 watt, carbon	23X10X270K			
R-60,67	330,000 ohms 1/2 watt, carbon	23X20X334K			
R-63	6.8 ohms 1 watt, carbon	23X30X068K			
R-64	330 ohms 1/2 watt, carbon	23X20X331K			
COILS AND TRANSFORMERS					
L-1	Coil, antenna; band 4	51B783			
L-2	Coil, antenna; band 3	51B782			
L-3	Coil, antenna; bands 1 and 2	51B1241			
L-4	Coil, RF; band 4	51B787			
L-5	Coil, RF; band 3	51B786			

⊙ Switch wafers 60B389, 62B039 and 62B044 can be used only in conjunction with shaft and index plate 60B392.
 * Switch wafers 62B070, 62B072 and 62B071 can be used only in conjunction with shaft and index plate 60B485.

Changed to 6DS4/6CW4

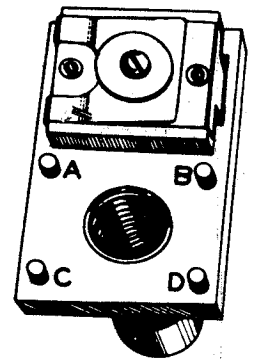


ANTENNA TRIMMER AND CASCODE RF STAGE
 ADDED OCTOBER 27, 1962. *also 5' meter Jack.*

NOTES

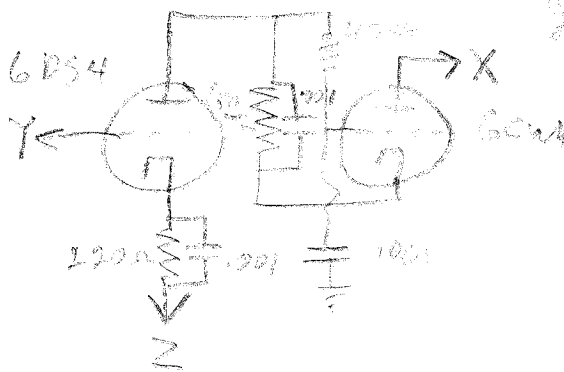
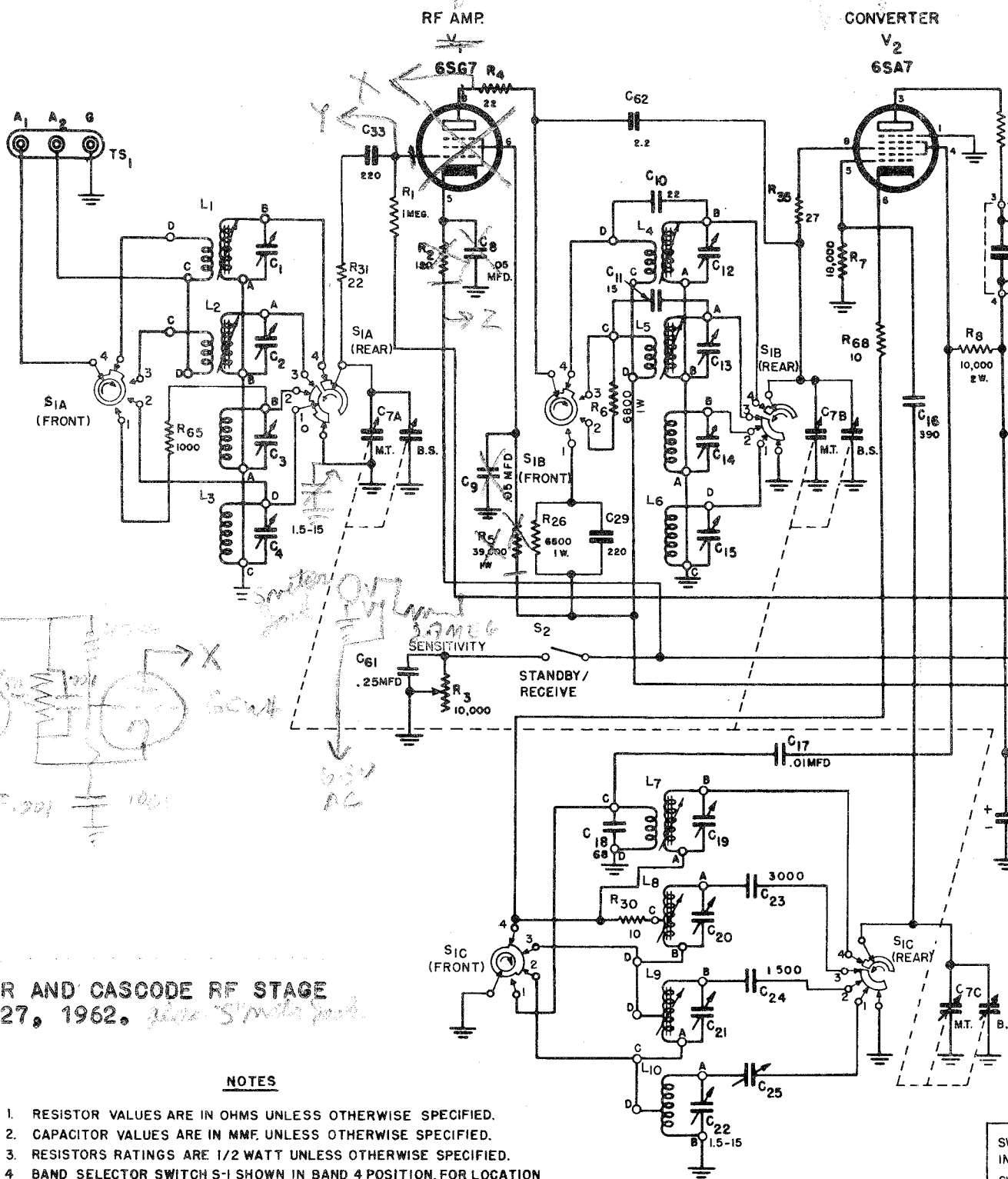
1. RESISTOR VALUES ARE IN OHMS UNLESS OTHERWISE SPECIFIED.
2. CAPACITOR VALUES ARE IN MMF UNLESS OTHERWISE SPECIFIED.
3. RESISTORS RATINGS ARE 1/2 WATT UNLESS OTHERWISE SPECIFIED.
4. BAND SELECTOR SWITCH S-1 SHOWN IN BAND 4 POSITION. FOR LOCATION OF SWITCH SECTIONS, SEE FIG. 9.

VALUES AND TOLERANCES SHOWN ARE NOMINAL AND VARIATIONS MAY BE FOUND. IT IS RECOMMENDED THAT THE VALUE OF ANY REPLACEMENT CORRESPOND TO THE NOMINAL VALUE OF THE PART BEING REPLACED.



REPRESENTS COILS L₁ TO L₁₀

Changed to 6DS4/6DS4

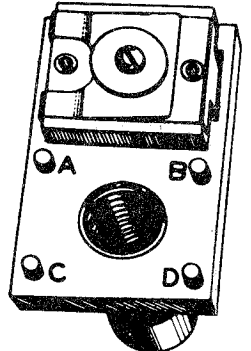


ANTENNA TRIMMER AND CASCODE RF STAGE
 ADDED OCTOBER 27, 1962. *same Smith*

NOTES

1. RESISTOR VALUES ARE IN OHMS UNLESS OTHERWISE SPECIFIED.
2. CAPACITOR VALUES ARE IN MMF. UNLESS OTHERWISE SPECIFIED.
3. RESISTOR RATINGS ARE 1/2 WATT UNLESS OTHERWISE SPECIFIED.
4. BAND SELECTOR SWITCH S-1 SHOWN IN BAND 4 POSITION. FOR LOCATION OF SWITCH SECTIONS, SEE FIG. 9.

VALUES AND TOLERANCES SHOWN ARE NOMINAL AND VARIATIONS MAY BE FOUND. IT IS RECOMMENDED THAT THE VALUE OF ANY REPLACEMENT CORRESPOND TO THE NOMINAL VALUE OF THE PART BEING REPLACED.

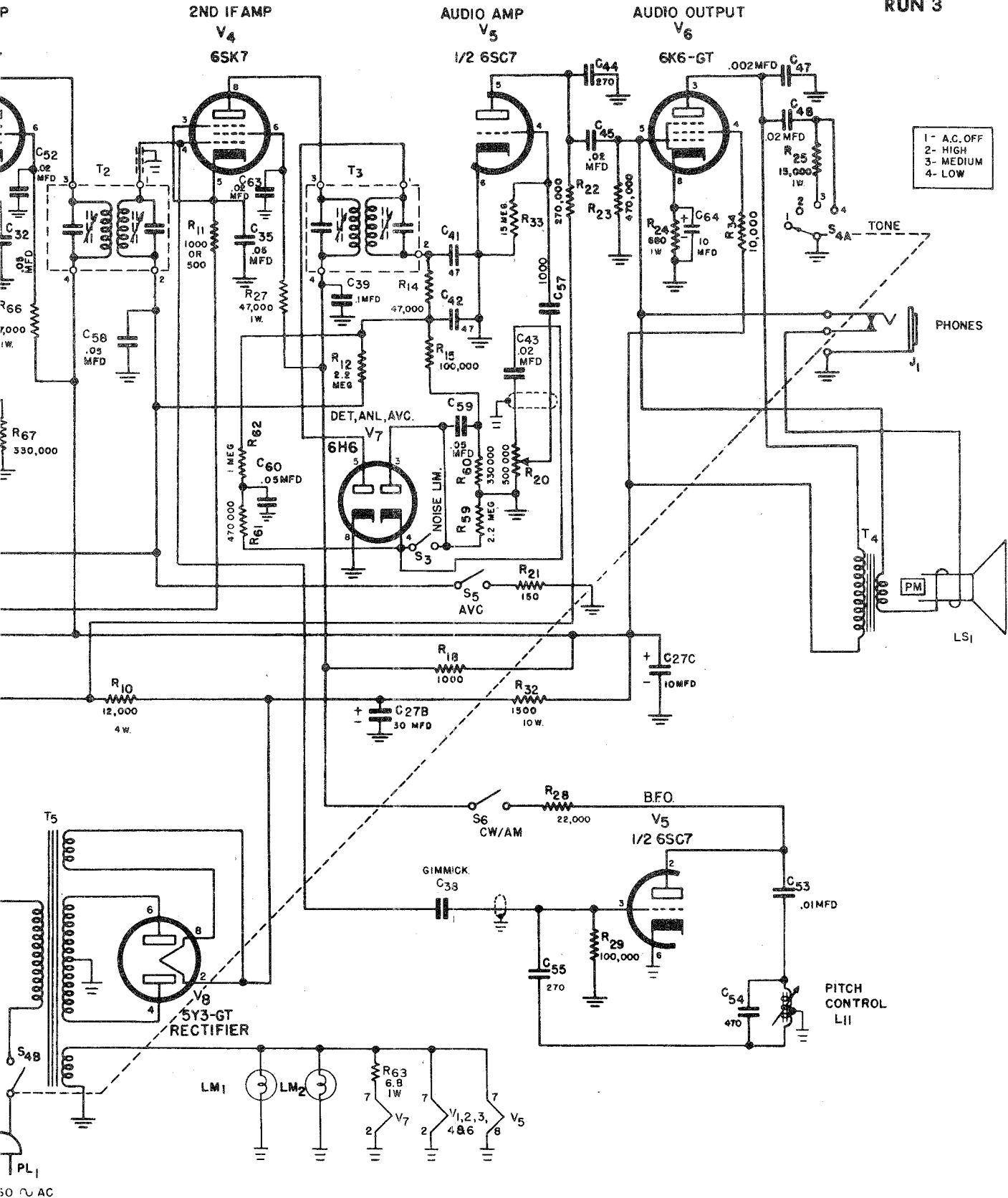


REPRESENTS COILS L₁ TO L₁₀

SW
 IN
 SW
 PC

MODELS S-40B S-40BU

RUN 3



LAST R SYMBOL R-68
LAST C SYMBOL C-64

890349-D

FIG. 11 SCHEMATIC DIAGRAM