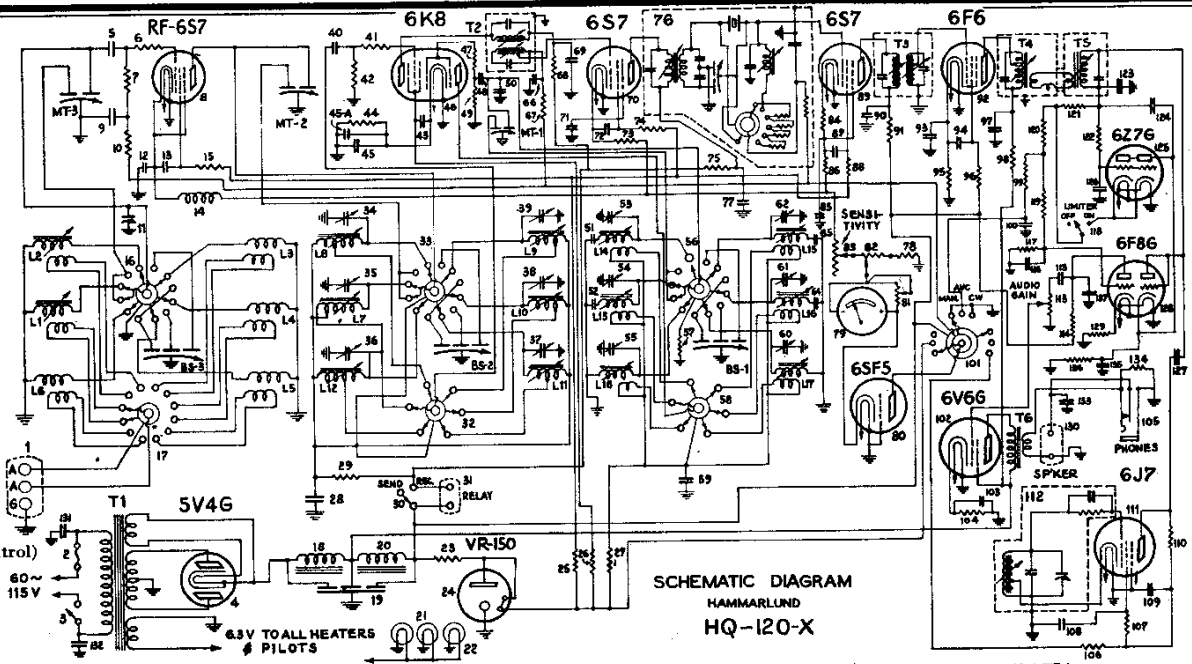


L-1	Antenna coil	.54-1.32 mc. range	...
L-2	Antenna coil	1.32-3.2 mc. range	...
L-3	Antenna coil	3.2-5.7 mc. range	...
L-4	Antenna coil	5.7-10 mc. range	...
L-5	Antenna coil	10-18 mc. range	...
L-6	Antenna coil	18-31 mc. range	...
L-7	R.F. coil	.54-1.32 mc. range	...
L-8	R.F. coil	1.32-3.2 mc. range	...
L-9	R.F. coil	3.2-5.7 mc. range	...
L-10	R.F. coil	5.7-10 mc. range	...
L-11	R.F. coil	10-18 mc. range	...
L-12	R.F. coil	18-31 mc. range	...
L-13	H.F. osc. coil	.54-1.32 mc. range	...
L-14	H.F. osc. coil	1.32-3.2 mc. range	...
L-15	H.F. osc. coil	3.2-5.7 mc. range	...
L-16	H.F. osc. coil	5.7-10 mc. range	...
L-17	H.F. osc. coil	10-18 mc. range	...
L-18	H.F. osc. coil	18-31 mc. range	...
T-1	Power transformer	50-60 cycle, 115-V	...
T-2	First I.F. transformer	...	...
T-3	Third I.F. transformer	...	...
T-4	I.F. output coil assembly	...	...
T-5	Diode input coil	...	...
T-6	Audio output transformer	6 ohm	...
1	Antenna terminal strip	...	...
2	Fuse block (1.5A fuse Pt. No. 6065)	...	...
3	Power switch (comb. with audio gain control)	...	...
4	Rectifier tube socket 5V4-G	...	...
5-40-116	600 mmf. mica condensers	...	...
6-41	25. ohm resistor (½ W.)	...	...
7	500,000 ohm resistor (½ W.)	...	...
8	Tube socket 6S7-RF (iso.)	...	...
9-12-13-43	.02 mf. paper cond. (500 V.)	...	...
59-66-69-72	10,000 ohm resistor (½ W.)	...	...
77-87-90-97	Antenna compensating condenser	...	...
10-67-106	R.F. choke	...	...
11	2000 ohm resistor (½ W.)	...	...
14	R.F. and detector grid switch wafer	...	...
15-29-68-74	Antenna switch wafer	...	...
75-88-91-98	First filter choke	...	...
16-33	Filter condenser	...	...
17	Second filter choke	...	...
18	.15 amp. pilot lamps (6-8 V.)	...	...
19	Dial and meter lamps socket assembly	...	...
20	3000 ohm resistor (10 W. wire wound)	...	...
21	Tube socket VR-150	...	...
22	6000 ohm resistor (1 W.)	...	...
23	7000 ohm resistor (1 W.)	...	...
24	10,000 ohm resistor (1 W.)	...	...
25	.005 mf. mica condenser	...	...
26	Send-Receive and Limiter switches	...	...
27-114	Relay pin jack	...	...
28	Det. grid tap and osc. plate switch wafers	...	...
30-118	Special MEX trimmer cond.	...	...
31			
32			
34-35-36-37			
38-39-53-54			
55-60-61-62			



# HQ-120-X

## CRYSTAL MODEL

FOR OTHER DATA,  
SEE MODEL HQ-120-X

VOL. X

Tuning Range

31-54 MC

Form IM 3-4

42-49	50,000 ohm resistor (½ W.)	84
119-121	230 ohm resistor (½ W.)	86
44-129	.05 mf. condenser (500 V.)	92
126-131-132	.005 mf. mica condenser	93
133-45-71-85	Tube socket 6K8-Conv. (iso.)	95
94-100-108-109	15 ohm resistor (½ W.)	96
45A	50. mmf. condenser (silver)	99-122
46	5.5 mmf. condenser (silver)	101
47	673 mmf. condenser (silver)	102
48	300 mmf. condenser (silver)	103
50-127	H.F. osc. grid switch wafer	104
51	10. ohm resistor (½ W.)	105
52	.0015 mf. mica condenser	136-107-110
56	.001 mf. mica condenser	111
57	Tube socket 6S7	112
64	700. ohm resistor (½ W.)	113
65	Crystal filter	
70-89	50. ohm resistor ½ (W.)	
73-73	Tuning meter	
76	Tube socket 6SF-5	
78	80. ohm meter circ. potentiometers	
79	Sensitivity control 10,000 ohms	
80		
81-82		
83		

400 ohm resistor (½ W.)	84
300. ohm resistor (½ W.)	86
Tube socket 6F6	92
.1 mf. condenser (500 V.)	93
600 ohm resistor (½ W.)	95
50,000 ohm resistor 1 watt	96
1-meg. resistor (½ W.)	99-122
AVC-MAN-BFO switch	101
Tube socket 6V6G—Audio	102
40 mf. electrolytic condenser	103
350. ohm resistor (1 W.)	104
Phone jack	105
100,000 ohm resistor (½ W.)	136-107-110
Tube socket 6J7	111
Beat oscillator	112
Audio gain control (500,000 ohm combined with power switch)	113
.01 mf. condenser (500 V.)	115
20,000 ohm resistor (½ W.)	117
25,000 ohm resistor (½ W.)	120
50. mmf. mica condenser	123-124-135
1000. mmf. mica condenser	137
Tube socket 6Z7-G	125
Tube socket 6F8-G	128
Speaker terminal strip	130
25 ohm resistor (1 W.)	134