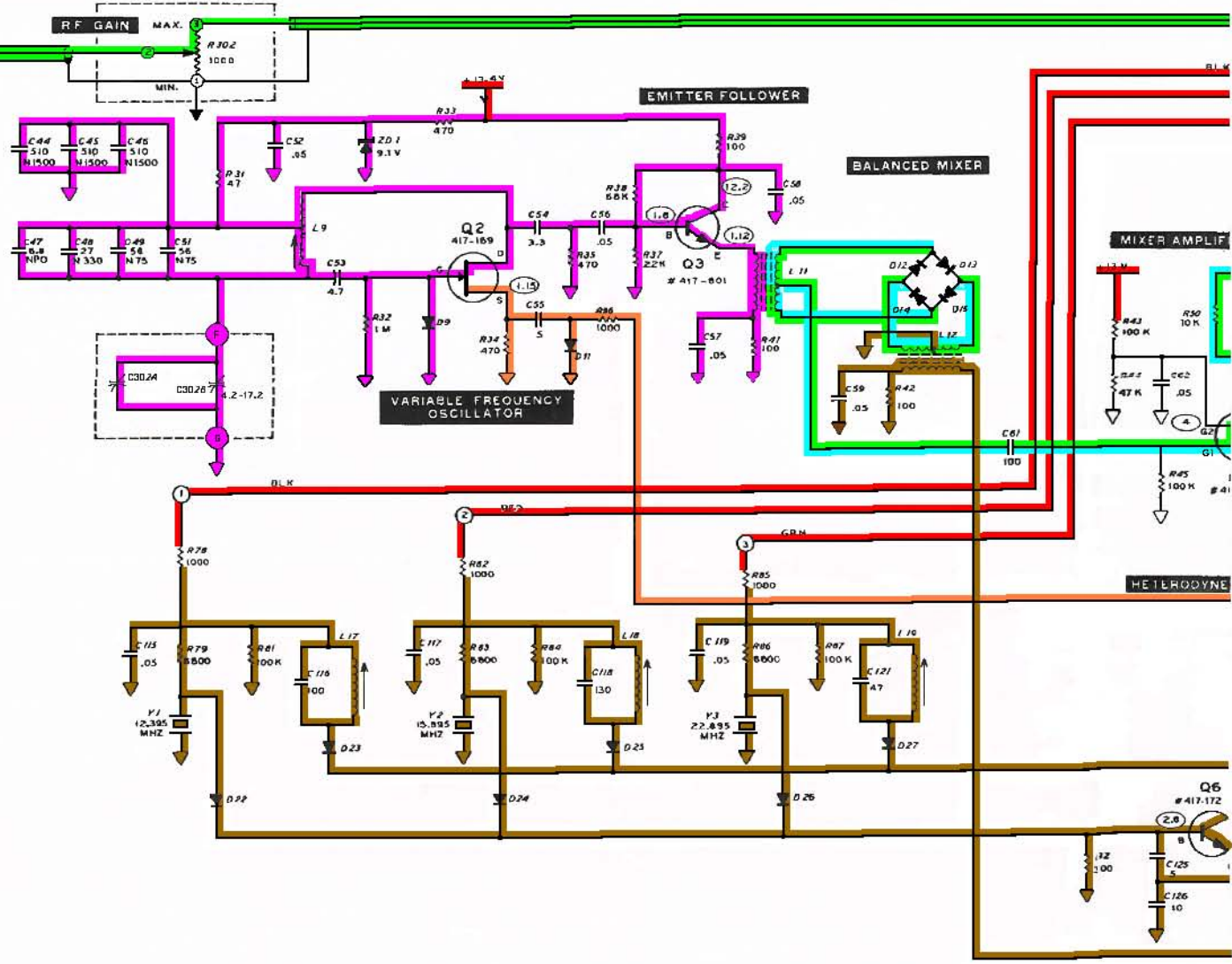
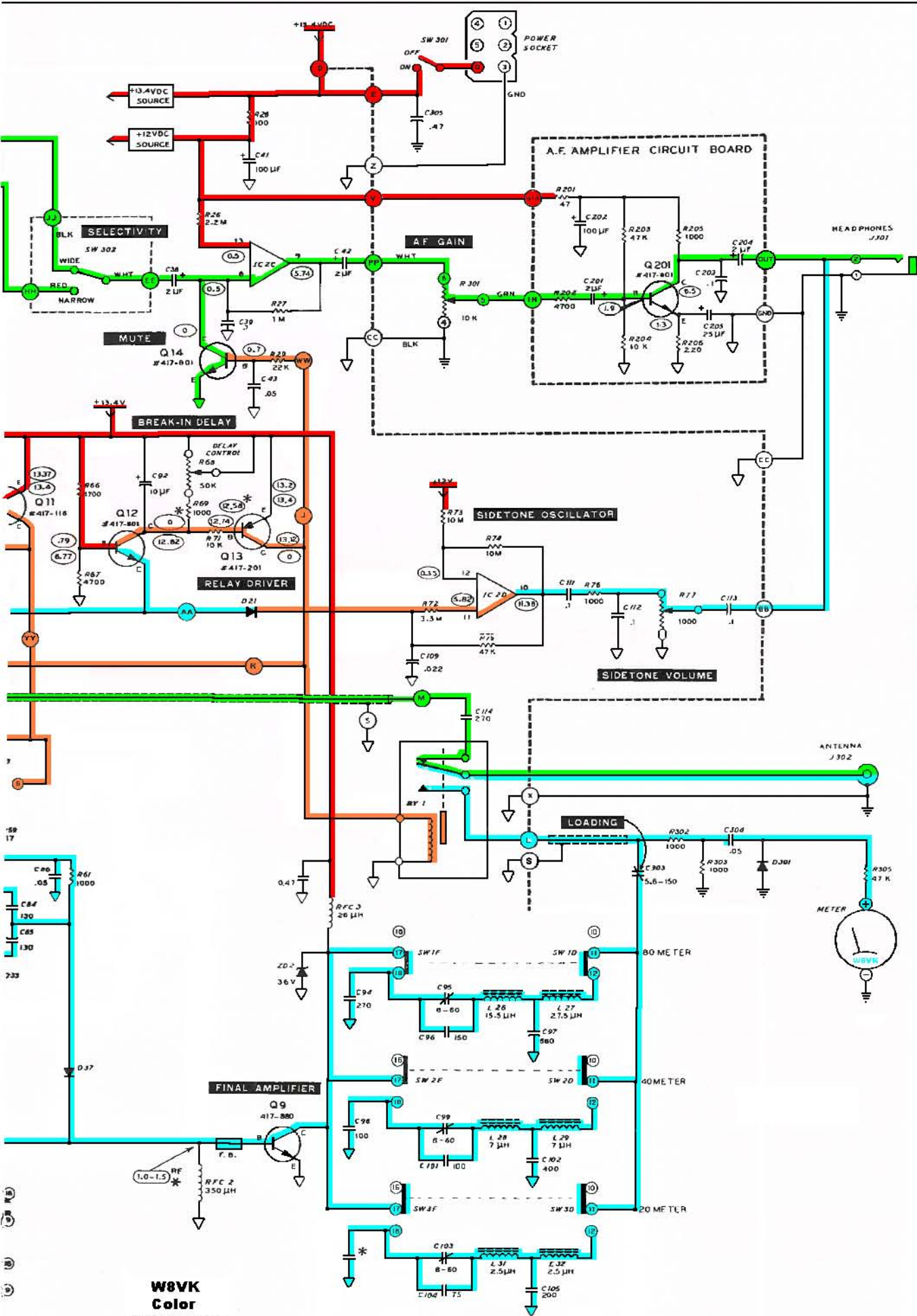


**W8VK  
Color  
Schematics**

**Not For  
ReSale  
Purposes  
W8VK  
8-05**







**W8VK  
Color  
Schematics**

**Not For  
ReSale  
Purposes  
W8VK  
8-05**

**SCHEMATIC OF THE  
HEATHKIT®  
MODEL HW-8  
TRANSCEIVER**

W8VK 10-15-04


NOTES:



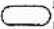
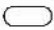
1. CIRCUIT COMPONENT NUMBERS ARE IN THE FOLLOWING GROUPS:

1 - 199 PARTS MOUNTED ON MAIN CIRCUIT BOARD.  
201 - 225 PARTS MOUNTED ON AF AMPLIFIER CIRCUIT BOARD.  
301 - 325 PARTS MOUNTED ON CHASSIS.

2. ALL RESISTOR VALUES ARE IN OHMS (K=1,000; M=1,000,000).

3. ALL CAPACITOR VALUES LESS THAN 1 ARE IN  $\mu$ F. VALUES OF 1 AND ABOVE ARE IN pF UNLESS OTHERWISE INDICATED.

4.  THIS SYMBOL INDICATES A TEST POINT.

5.  THIS SYMBOL INDICATES A RECEIVE-MODE DC VOLTAGE MEASURED FROM THE POINT INDICATED TO CHASSIS.
6. \* THIS SYMBOL INDICATES A TRANSMIT-MODE DC VOLTAGE MEASURED FROM THE POINT INDICATED TO CHASSIS.
7.  THIS SYMBOL INDICATES A RECEIVE-MODE RF VOLTAGE MEASURED USING AN RF PROBE CONNECTED BETWEEN THE POINT INDICATED AND CHASSIS.
8. \* THIS SYMBOL INDICATES A TRANSMIT-MODE RF VOLTAGE MEASURED USING AN RF PROBE CONNECTED BETWEEN THE POINT INDICATED AND CHASSIS.
9. ALL VOLTAGES MEASURED WITH A HIGH INPUT IMPEDANCE VOLTMETER. VOLTAGES MAY VARY  $\pm 20\%$ .
10. ALL MEASUREMENTS OBTAINED USING A POWER SOURCE OF 13 VDC.
11. BANDSWITCH SHOWN WITH 3.5 MHz PUSHBUTTON PRESSED IN AND TRANSCEIVER OPERATING IN RECEIVE MODE.