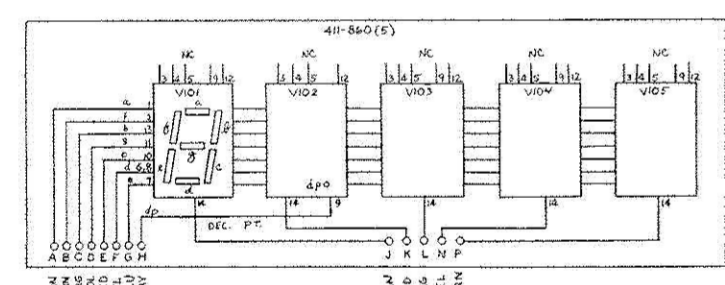
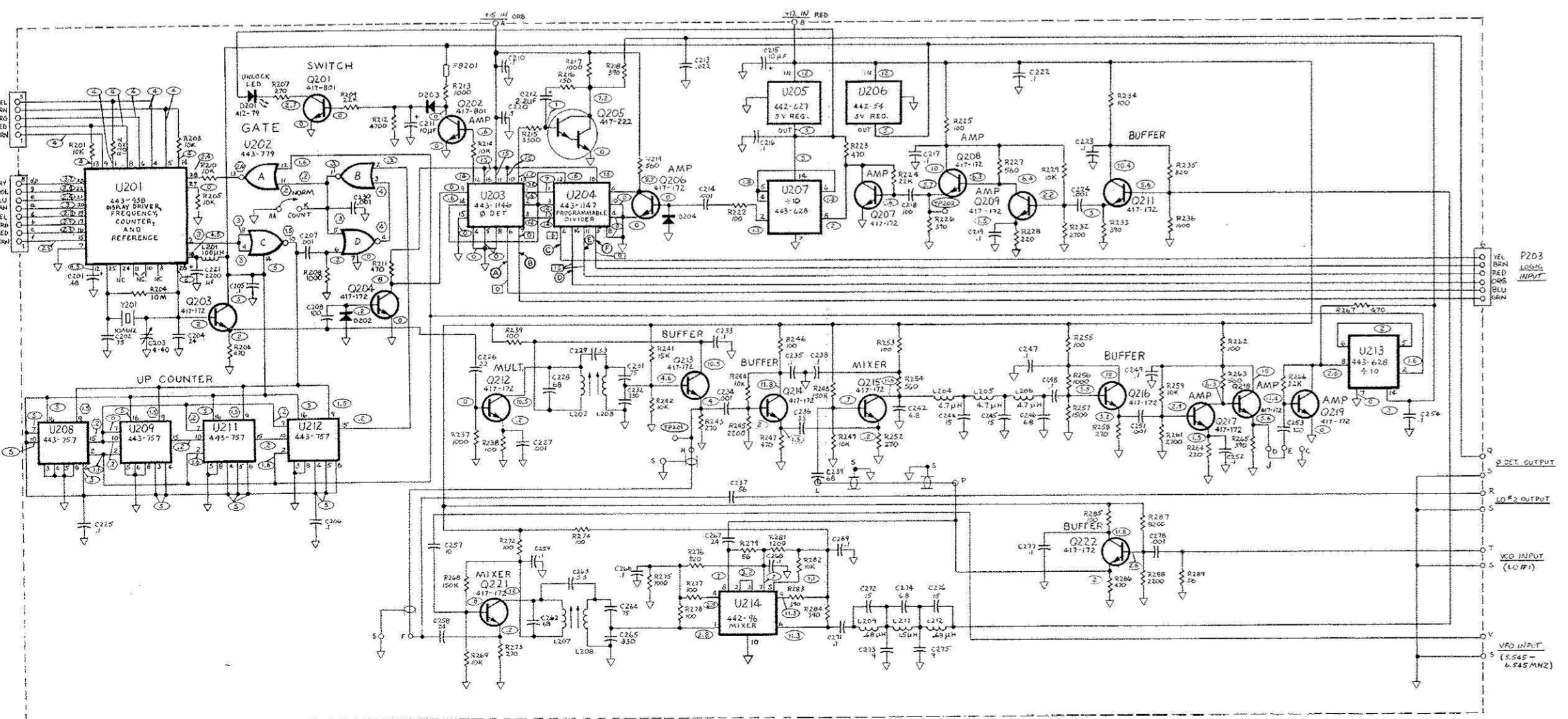


Receiver Circuit Board

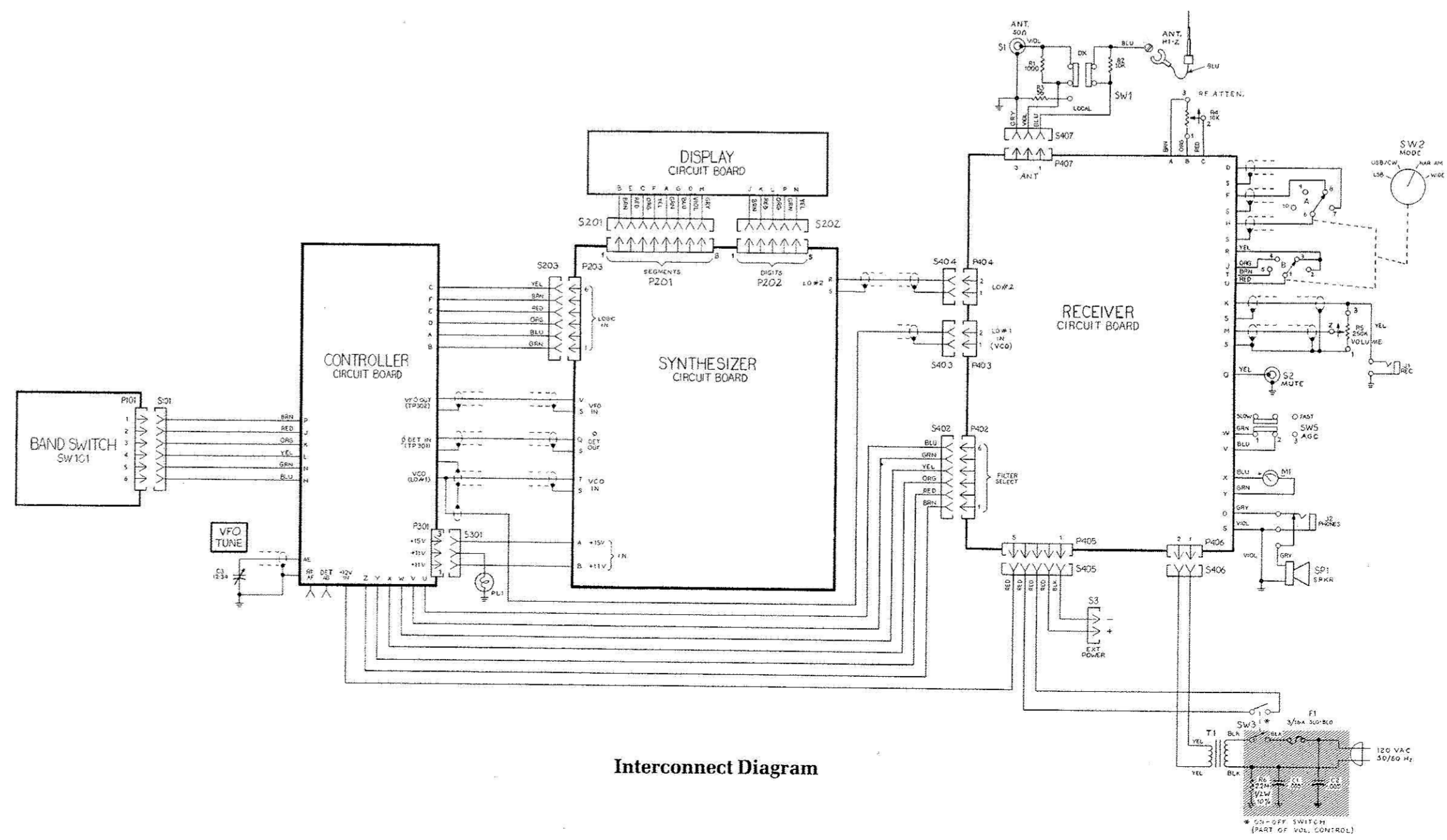
Controller Circuit Board



Display Circuit Board



Synthesizer Circuit Board



Interconnect Diagram

SCHEMATIC OF THE HEATHKIT® GENERAL COVERAGE RECEIVER MODEL SW-7800

- NOTES:
- COMPONENT NUMBERS ARE IN THE FOLLOWING GROUPS:
 - 1- 99 PARTS MOUNTED ON THE CHASSIS.
 - 101-199 PARTS MOUNTED ON THE DISPLAY AND SWITCH CIRCUIT BOARD.
 - 201-299 PARTS MOUNTED ON THE SYNTHESIZER CIRCUIT BOARD.
 - 301-399 PARTS MOUNTED ON THE CONTROLLER CIRCUIT BOARD.
 - 401-599 PARTS MOUNTED ON THE RECEIVER CIRCUIT BOARD.
 - ALL RESISTORS ARE RATED AT 1/4-WATT AND HAVE 5% TOLERANCE UNLESS OTHERWISE NOTED. RESISTOR VALUES ARE IN OHMS-K=1000; M=1,000,000.
 - CAPACITOR VALUES LESS THAN 1 ARE IN pF (PICOFARADS), ALL OTHER CAPACITOR VALUES ARE IN pF (PICOFARADS) UNLESS OTHERWISE NOTED.
 - ⊖ THIS SYMBOL INDICATES A POSITIVE DC VOLTAGE MEASURED WITH A HIGH IMPEDANCE VOLTMETER FROM THE POINT INDICATED TO CHASSIS GROUND.
 - ⊕ THIS SYMBOL INDICATES A POSITIVE DC VOLTAGE THAT VARIES DEPENDING UPON WHICH BAND IS SELECTED.
 - ⊞ THIS SYMBOL INDICATES A PULSATING VOLTAGE.
 - ⊞ THIS SYMBOL INDICATES CIRCUIT BOARD GROUND.
 - ⊞ THIS SYMBOL INDICATES CHASSIS GROUND.
 - THIS SYMBOL WITH A LETTER INDICATES A TEST POINT.
 - ⊞ THIS SYMBOL INDICATES A PLUG AND SOCKET.
 - REFER TO THE "CIRCUIT BOARD X-RAY VIEWS" FOR THE PHYSICAL LOCATION OF PARTS.
 - ALL DIODES ARE PART NUMBER 56-56 UNLESS OTHERWISE NOTED.
 - VOLTAGES ON U403 AND U407 WERE TAKEN WITH NO SIGNAL. VOLTAGES ON Q402 WERE TAKEN WITH MODE SWITCH AT AM-NAR AND VOLTAGES ON Q405 WITH MODE SWITCH AT LSB.
 - THE PARTS WITHIN THE SHADED AREA ARE CRITICAL TO PRODUCT SAFETY. REPLACE ONLY WITH THE PROPER HEATH PART OR THE EXACT EQUIVALENT.