

# HEATH SERVICE DATA

## TRANSISTOR BASING DIAGRAMS



"Service Data" is printed for Heath or Schlumberger Products Company technical employees only.

Due to legal requirements, no portion of "Service Data" can be reproduced or distributed without prior written approval from Heath Company.

## HEATH SERVICE DATA

### TRANSISTOR BASING DIAGRAMS

This manual contains listings of active and new Heath part numbered transistors and their pin identifications. Transistor type numbers have not been included, since some Heath part numbered transistors have one or more specified parameters that are different from their commercial equivalent.

To use the charts, locate the Heath part numbered transistor in the transistor list and its basing diagram number. Then refer to the corresponding numbered basing diagram for the pin identification.

The following abbreviations are used:

- E = emitter
- B = base
- C = collector
- B1 = Base 1 (uni-junction)
- B2 = Base 2 (uni-junction)
- G = gate
- G1 = gate 1 (dual-gate FET)
- G2 = gate 2 (dual-gate FET)
- D = drain
- S = source
- C = case, when used with FET diagram

Some Heath part-numbered transistors have been supplied in more than one case style and pin configuration; these variations are also included in the basing diagram list.

HEATH  
PART  
NUMBER

BASING  
DIAGRAM

417-18	1
417-20	2
417-35	3
417-43	3
417-59	3
417-60	4
417-67	6
417-71	5
417-74	1
417-77	6
417-82	6
417-83	6
417-84	6
417-85	6
417-86	6
417-89	3
417-90	7
417-91	6, 8P
417-93	9
417-94	6
417-96	10
417-99	7
417-100	3
417-101	7
417-104	7
417-105	11
417-106	11
417-107	12, 8A
417-108	13, 15
417-109	8A, 16
417-110	8A, 16
417-112	7
417-113	7
417-114	8A, 16
417-115	3
417-116	16
417-118	6, 8
417-120	4
417-122	1
417-125	9, 13

HEATH  
PART  
NUMBER

BASING  
DIAGRAM

417-126	9, 8A
417-133	11
417-134	8A
417-135	6
417-136	3
417-137	20
417-138	20
417-139	7
417-140	21, 22, 23
417-141	7
417-142	7
417-150	26
417-151	26
417-153	9
417-154	3
417-155	13, 16
417-162	7
417-164	6
417-167	25
417-168	8P
417-169	24
417-170	8A
417-171	8A, 15
417-172	8A
417-173	3, 9, 8A
417-175	29
417-178	20
417-180	20
417-182	8P
417-183	32
417-184	8P
417-185	13
417-186	33
417-187	8X
417-189	33
417-191	34
417-200	6, 8P
417-201	6, 8P
417-203	28, 29
417-204	7

<u>HEATH PART NUMBER</u>	<u>BASING DIAGRAM</u>
417-205	3
417-207	35
417-209	36
417-213	6
417-214	7
417-215	7
417-218	6
417-219	3
417-220	3
417-221	6, 8P
417-222	6, 8P
417-224	27
417-225	27
417-228	37, 8B, 39
417-229	8B
417-230	17
417-232	3
417-233	8A, 16
417-234	8A, 16
417-235	8A, 16
417-237	8A, 16
417-238	7
417-239	7
417-240	40
417-241	24
417-242	8A, 16
417-243	39
417-244	9, 8A
417-245	18
417-246	22, 42
417-248	7
417-250	17
417-251	25
417-252	25
417-253	22, 42
417-254	7
417-255	6, 8P
417-258	41
417-260	16
417-261	34

<u>HEATH PART NUMBER</u>	<u>BASING DIAGRAM</u>
417-263	43
417-264	43
417-265	21, 42, 8G
417-267	8A
417-268	8A
417-269	3
417-270	3
417-271	8A
417-272	18
417-274	40
417-275	14
417-277	3
417-278	7
417-279	45
417-280	3
417-282	7
417-283	15, 14
417-284	9, 24
417-285	8J, 32
417-286	7
417-288	25
417-289	44
417-290	5
417-291	24
417-292	8A
417-293	8A
417-294	8A
417-295	8A
417-296	28
417-298	44
417-299	46
417-801	8A
417-802	21
417-803	46
417-804	46, 47
417-805	48
417-806	22, 42
417-807	51
417-808	8P
417-809	8P

HEATH  
PART  
NUMBER

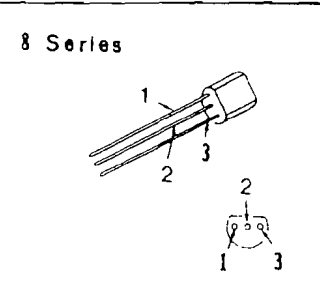
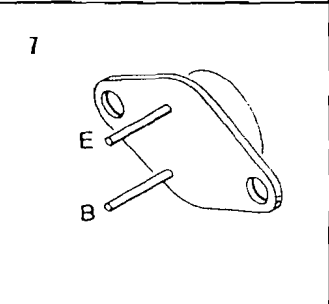
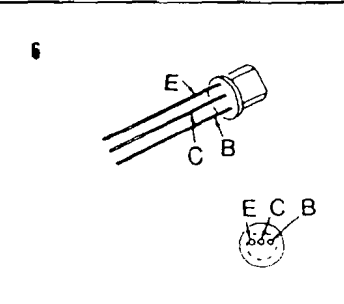
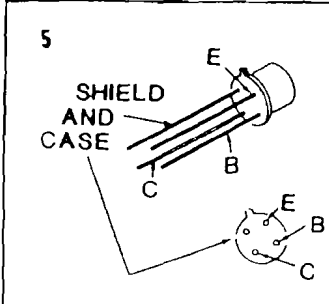
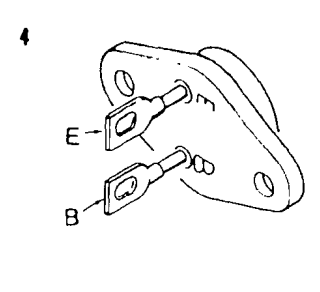
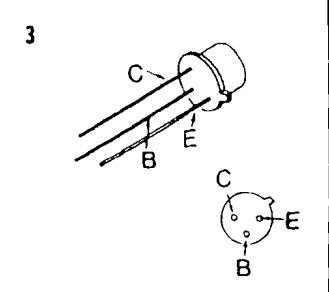
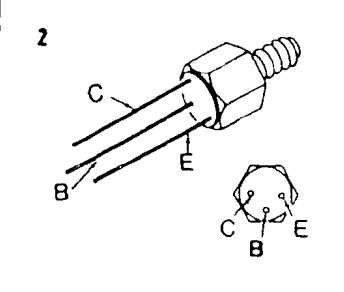
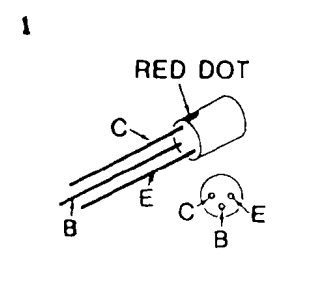
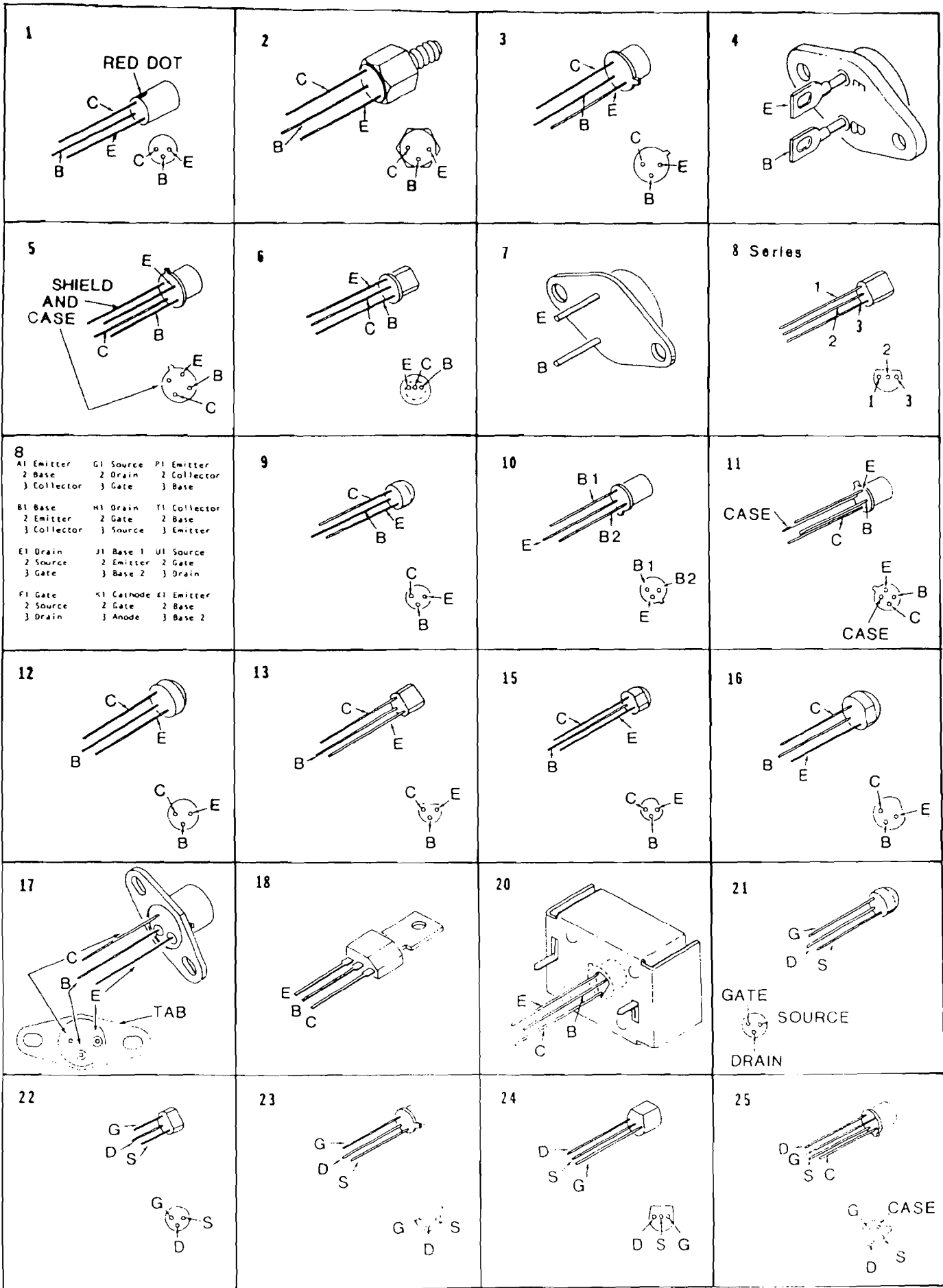
BASING  
DIAGRAM

417-810 7  
417-811 8A  
417-812 33, 49  
417-813 5  
417-814 7  
417-815 27  
417-816 43, 44  
417-817 43, 44  
417-818 43  
417-819 43  
  
417-820 21, 42  
417-821 8A  
417-822 8A  
417-823 8K  
417-828 42  
417-829  
417-830 47  
417-831 46  
417-831-1 (Matched set of four 417-831)  
417-833 7  
  
417-834 27  
417-835 7  
417-836 14  
417-837  
417-838  
417-839 11  
417-840  
417-841  
417-842  
417-843  
  
417-844 43  
417-845 7  
417-846 7  
417-847 7  
417-848  
417-849 6, 8P  
417-850 3  
417-851  
417-852 28, 29  
417-853 33, 49

HEATH  
PART  
NUMBER

BASING  
DIAGRAM

417-854 24  
417-855  
417-856  
417-857  
417-858 21, 8G  
417-859 8P  
417-860  
417-861  
417-862 8B  
417-863 40  
  
417-864 8A  
417-865 15  
417-866  
417-867  
417-868 28  
417-869 11  
417-870 11  
  
417-872 29  
417-873 7  
  
417-874 8A  
417-875 8A  
417-876  
417-877  
417-878 8U  
417-879 3  
417-880 3  
417-881 8A  
417-882 8A  
417-883  
  
417-884 24  
417-885 8A  
417-886 3  
417-887 8A  
417-888 8A  
417-889  
417-890  
417-891  
417-892  
417-893



**8**

A1 Emitter  
2 Base  
3 Collector

G1 Source  
2 Drain  
3 Gate

P1 Emitter  
2 Collector  
3 Base

B1 Base  
2 Emitter  
3 Collector

H1 Drain  
2 Gate  
3 Source

T1 Collector  
2 Base  
3 Emitter

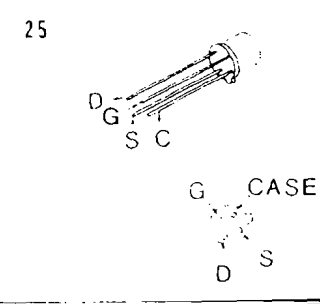
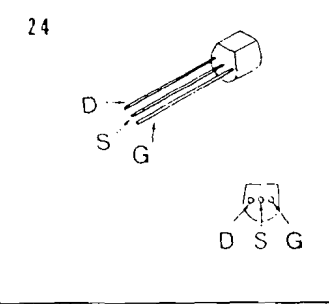
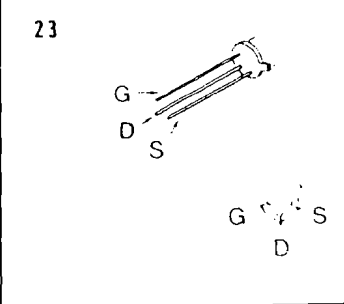
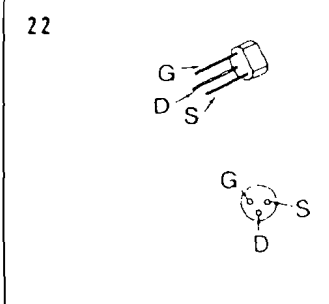
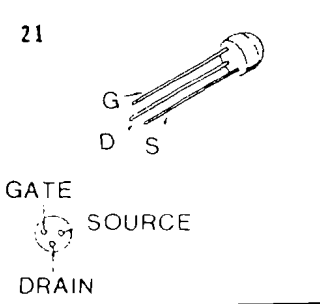
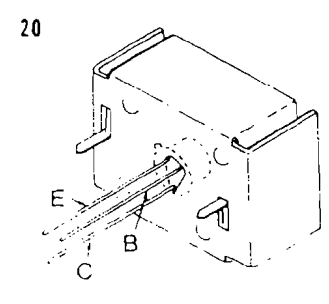
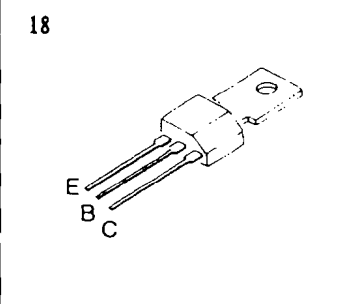
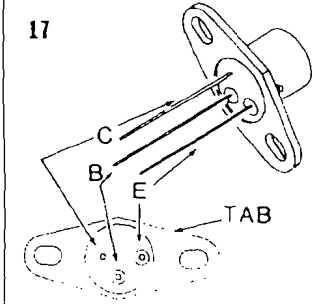
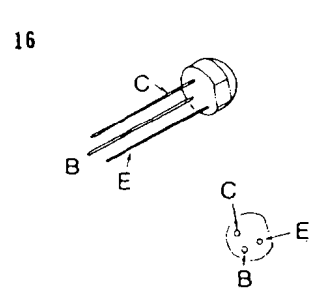
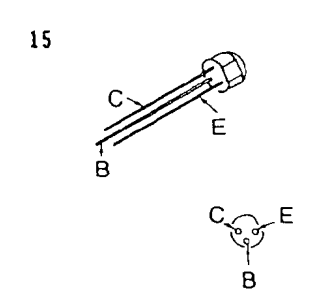
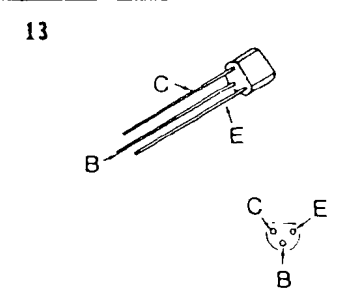
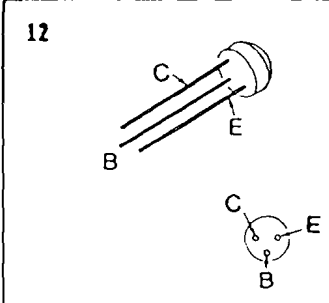
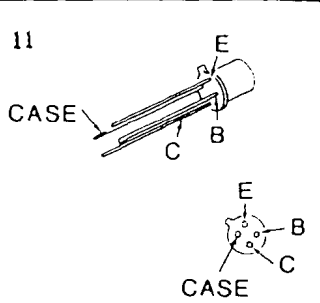
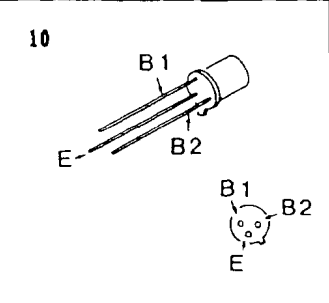
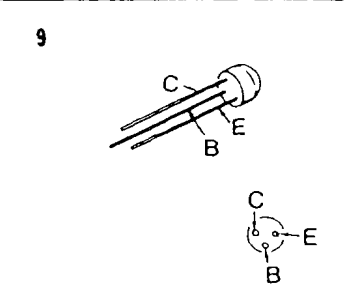
E1 Drain  
2 Source  
3 Gate

J1 Base 1  
2 Emitter 2  
3 Base 2 3

U1 Source  
2 Gate  
3 Drain

F1 Gate  
2 Source  
3 Drain

K1 Cathode  
2 Anode  
3 Base 2



**HEATH COMPANY**

*a subsidiary of*  
**DAYSTROM, INCORPORATED**

**THE WORLD'S FINEST ELECTRONIC EQUIPMENT IN KIT FORM**

**Downloaded by  
RadioManual.EU**