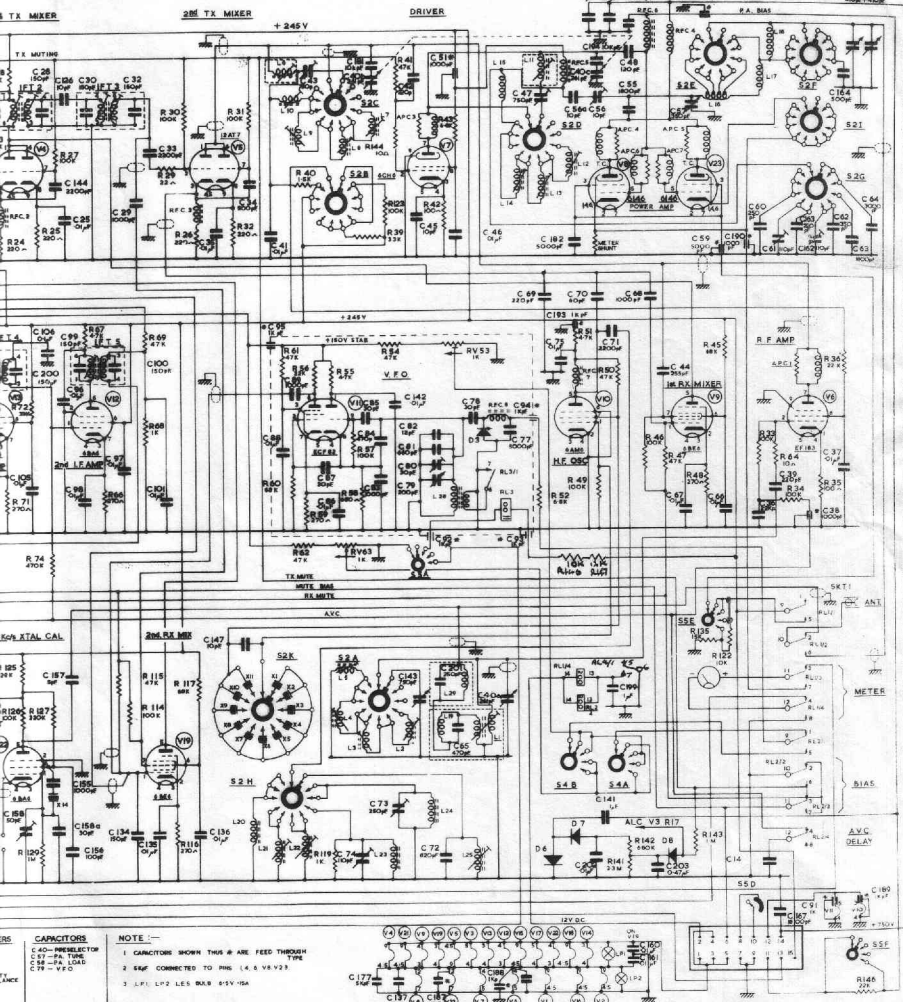




R33 R32 R27	R30 R30 R28	R32 R3	R40	R30 R144 R22 R41	R43 R43	R63	R61	R46 R40 R44 R47	R46 R46 R33	R44 R34	R35 R36	R36
R71 R72	R67 R64	R65 R64	R65 R65	R65 R65 R64	R63	R61 R63	R61 R63	R41 R43 R43	R35 R35			
C35 C34 C34	C35 C34 C34	C35 C34 C34	C35 C34 C34	C35 C34 C34	C35 C34 C34	C35 C34 C34	C35 C34 C34	C35 C34 C34	C35 C34 C34	C35 C34 C34	C35 C34 C34	C35 C34 C34



**CAPACITORS**

C40	MESELECTOR
C31	PA TUNE
C18	PA LOAD
C16	VFO

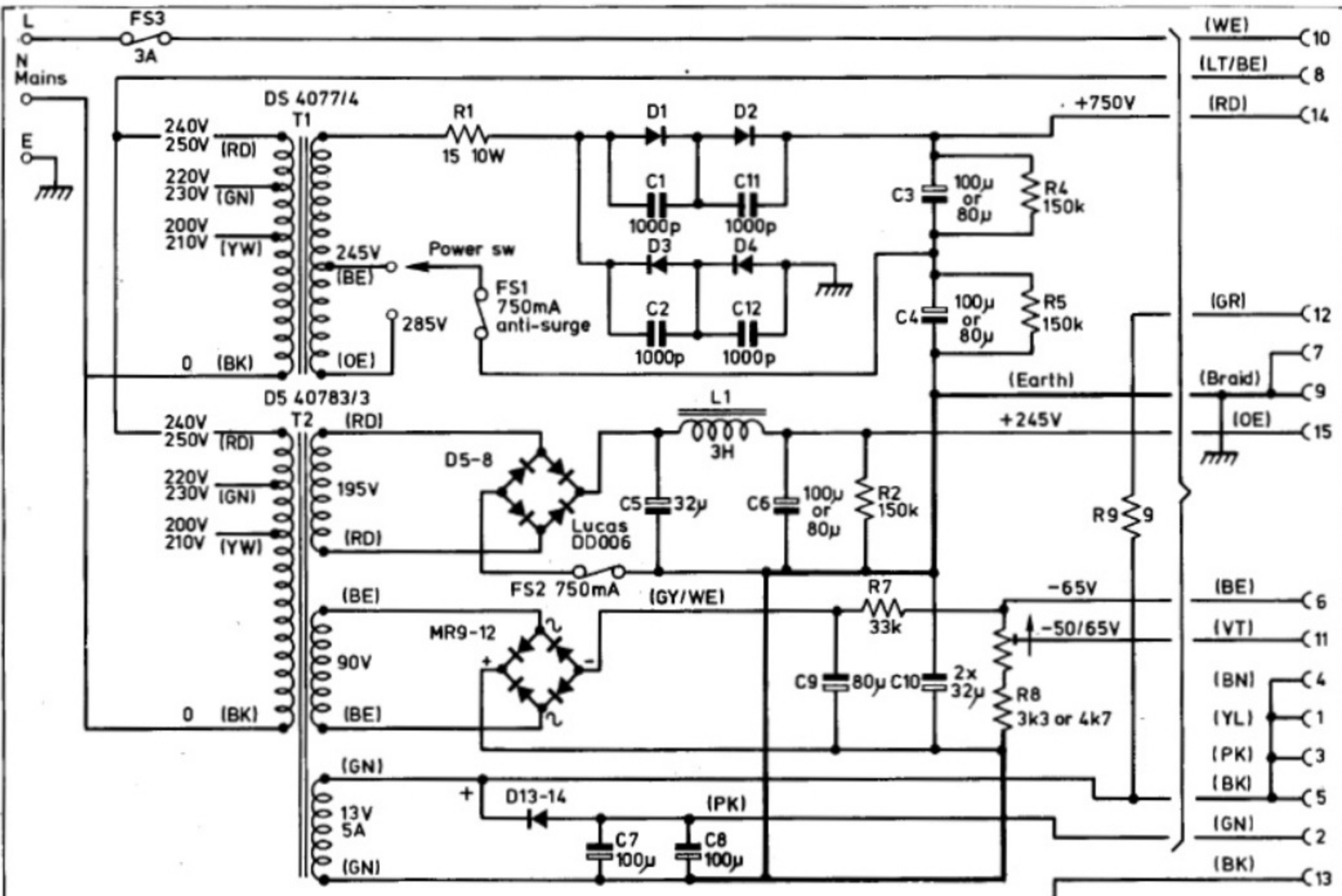
**NOTE**

1. CAPACITORS SHOWN THIS SIZE FEED THROUGH TUBE
2. 50V. CONNECTED TO PIN (4, 5, 6, 7, 2)
3. L.P.F. L.P.2 LES. MAX. 85V. 50A

14	2-7-46	AMSHY	424	CLN	9.67
REVISED	AND	REDRAWN			
DATE					

MATERIAL	TOLERANCE
FINISH	
SCALE	DIMENSIONS IN INCHES

K. W. ELECTRONICS DARTFORD KEN  
 THIS CIRCUIT DIAGRAM  
 K.W. 2000A  
 D.902!



- (WE) 10
- (LT/BE) 8
- (RD) 14
- (GR) 12
- (Braid) 7
- (OE) 9
- (IE) 15
- (BE) 6
- (VT) 11
- (BN) 4
- (YL) 1
- (PK) 3
- (BK) 5
- (GN) 2
- (BK) 13

### KW2000A Crystal Locations

14.0 (8.5775)	3.70 (6.8550)	3.50 (6.6650)
14.2 (8.6775)	7.00 (10.155)	1.80 (4.9550)
28.4 (15.7775)	28.0 (15.5775)	28.6 (15.8775)
21.3 (12.2775)		
21.0 (12.0775)		

---

Front Panel

---