

- NOTE:
1. ALL RESISTORS IN OHMS 1/2 W ± 10% UNLESS OTHERWISE NOTED
 2. ALL CAPACITORS IN μ F, ± 10%, 50V UNLESS OTHERWISE NOTED
 3. BANDSWITCH SHOWN IN FULL CCW POSITION (BAND 1-0.0 TO 1.5 MC)
 4. ALL CHOKES IN μ H ± 10% UNLESS OTHERWISE NOTED
 5. ALL PORTIONS BELOW DOTTED LINES ARE MOUNTED TO MAIN CHASSIS

1 BAND 34.0-35.0 MC
 2 BAND 35.5-37.5 MC
 5 BAND 28.0-37.5 MC

L 308
 29.25 - 30.25 MC
 30.75 - 32.75 MC
 23.25 - 32.75 MC

L 309
 13.25 - 22.75 MC

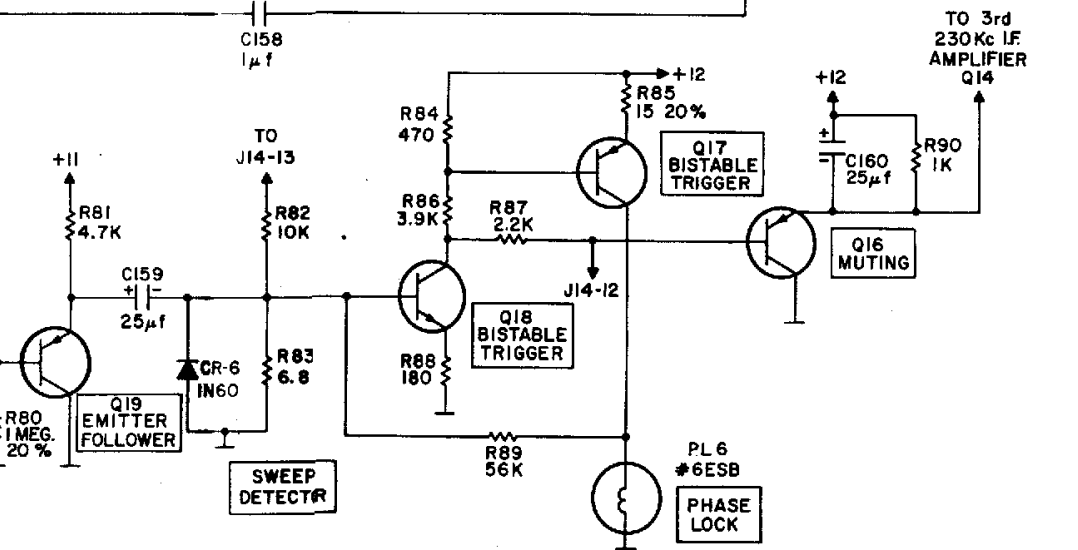
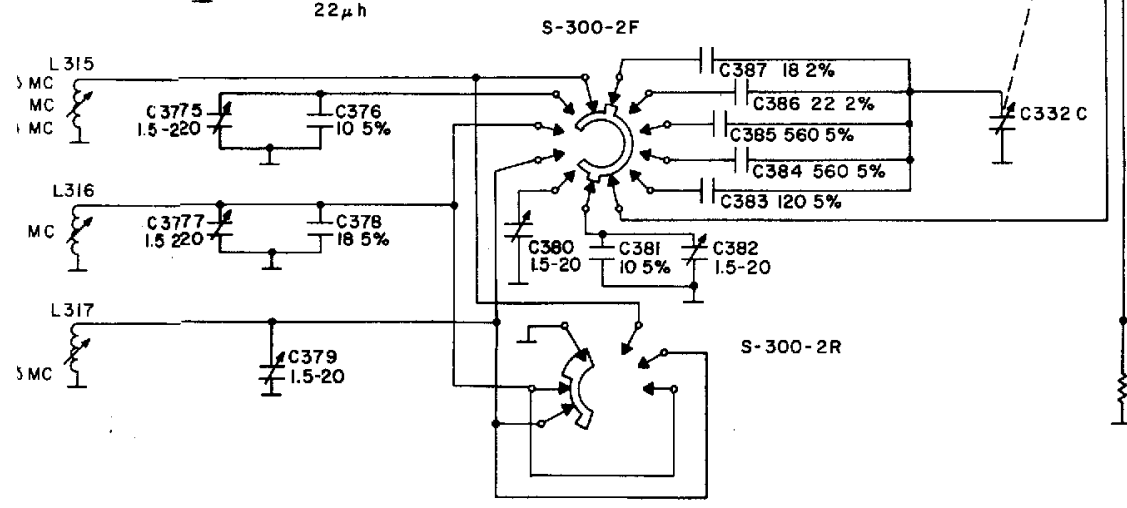
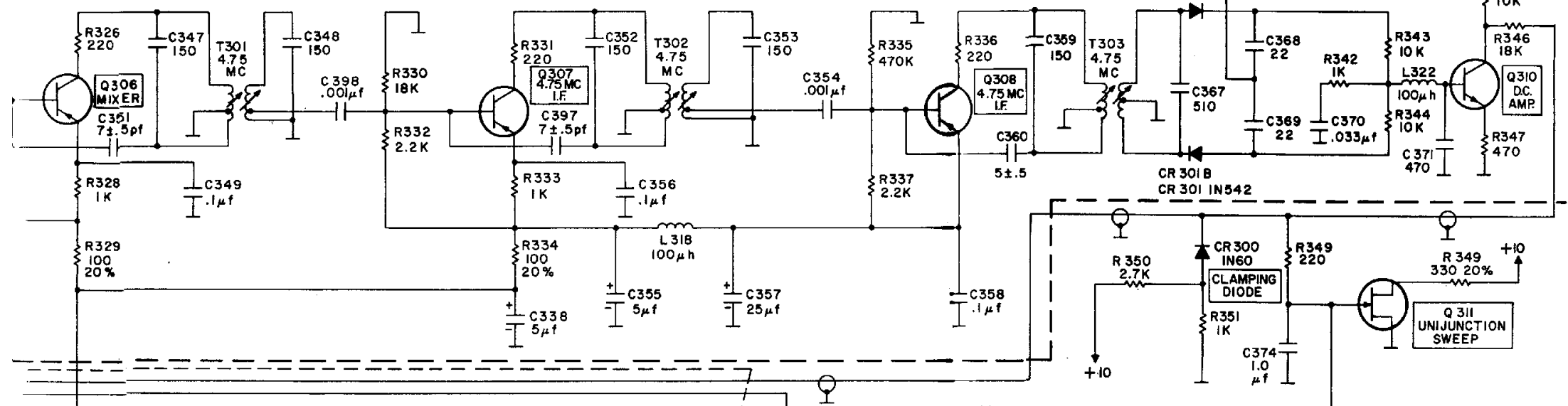
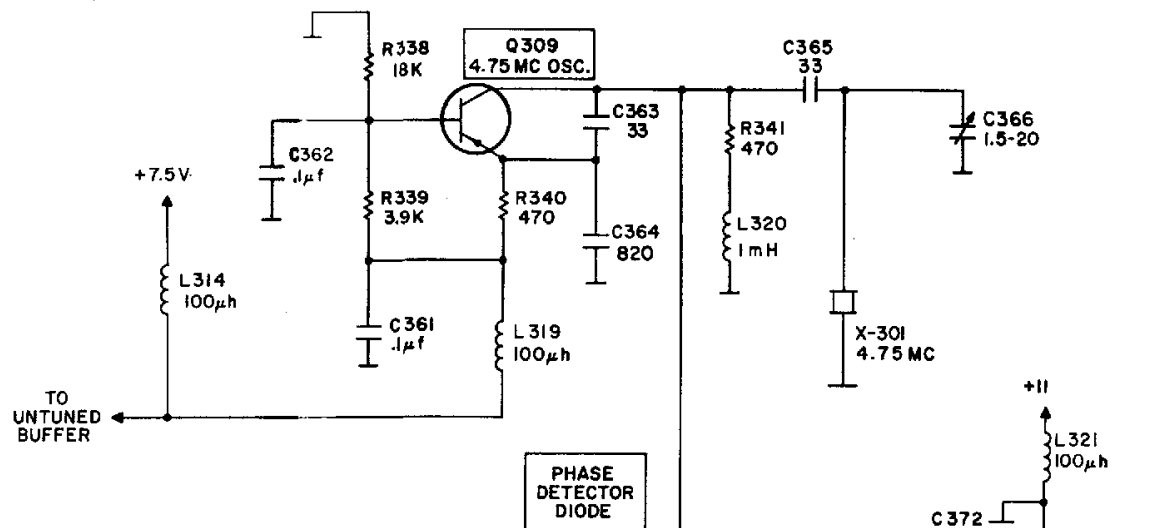
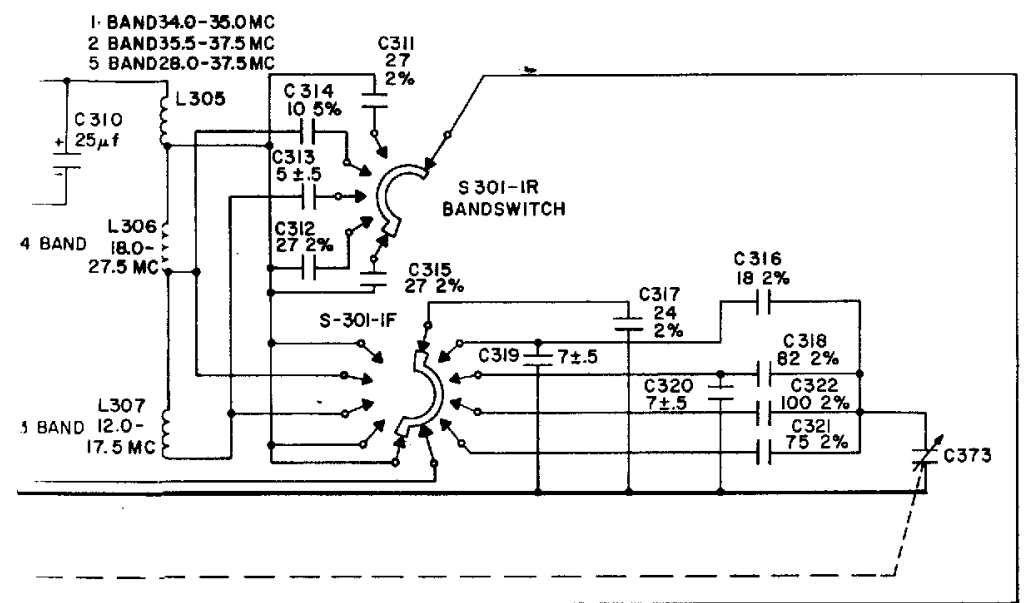
L 310
 7.25 - 12.75 MC

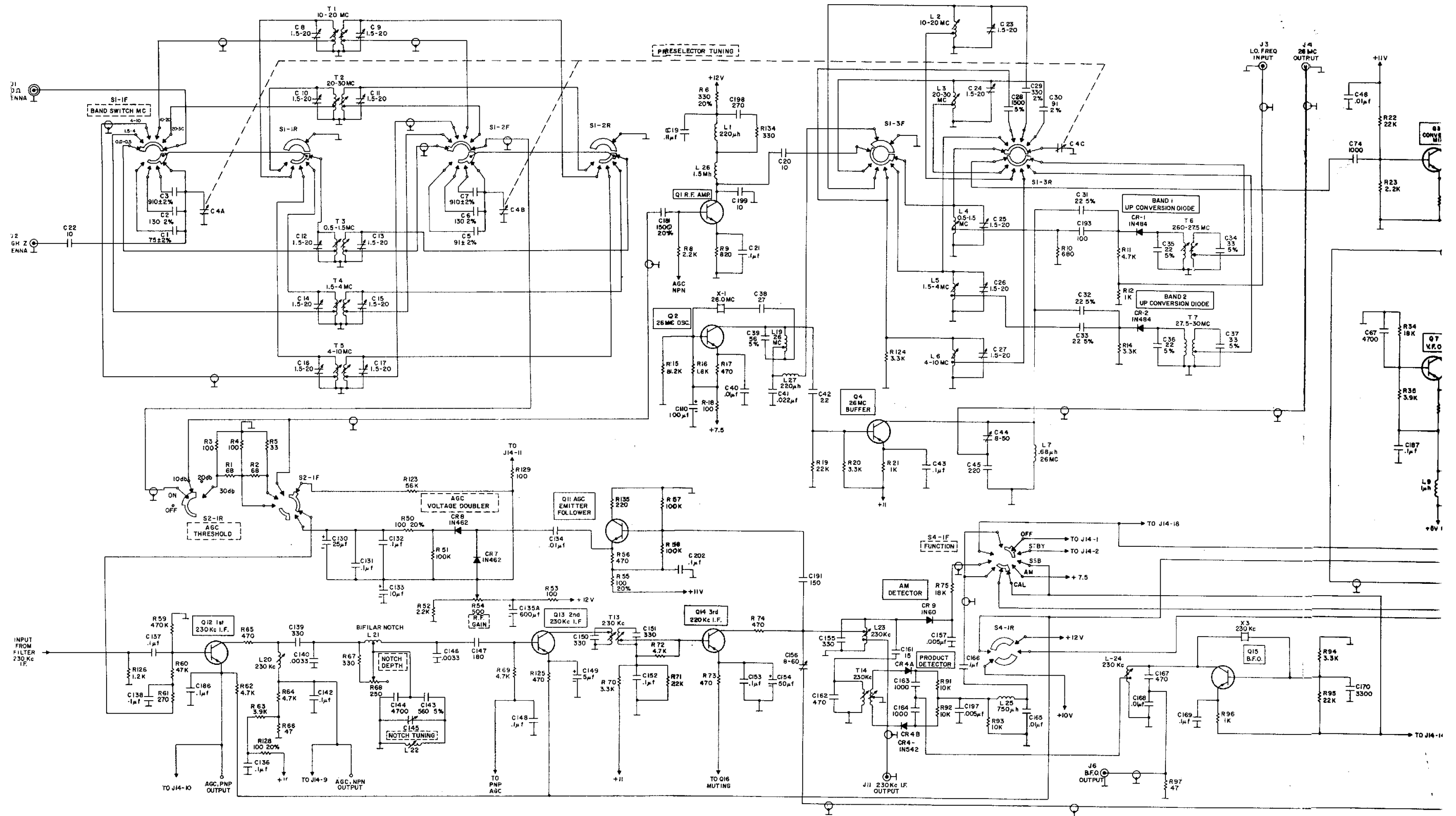
L 315
 29.25 - 30.25 MC
 30.75 - 32.75 MC
 23.25 - 32.75 MC

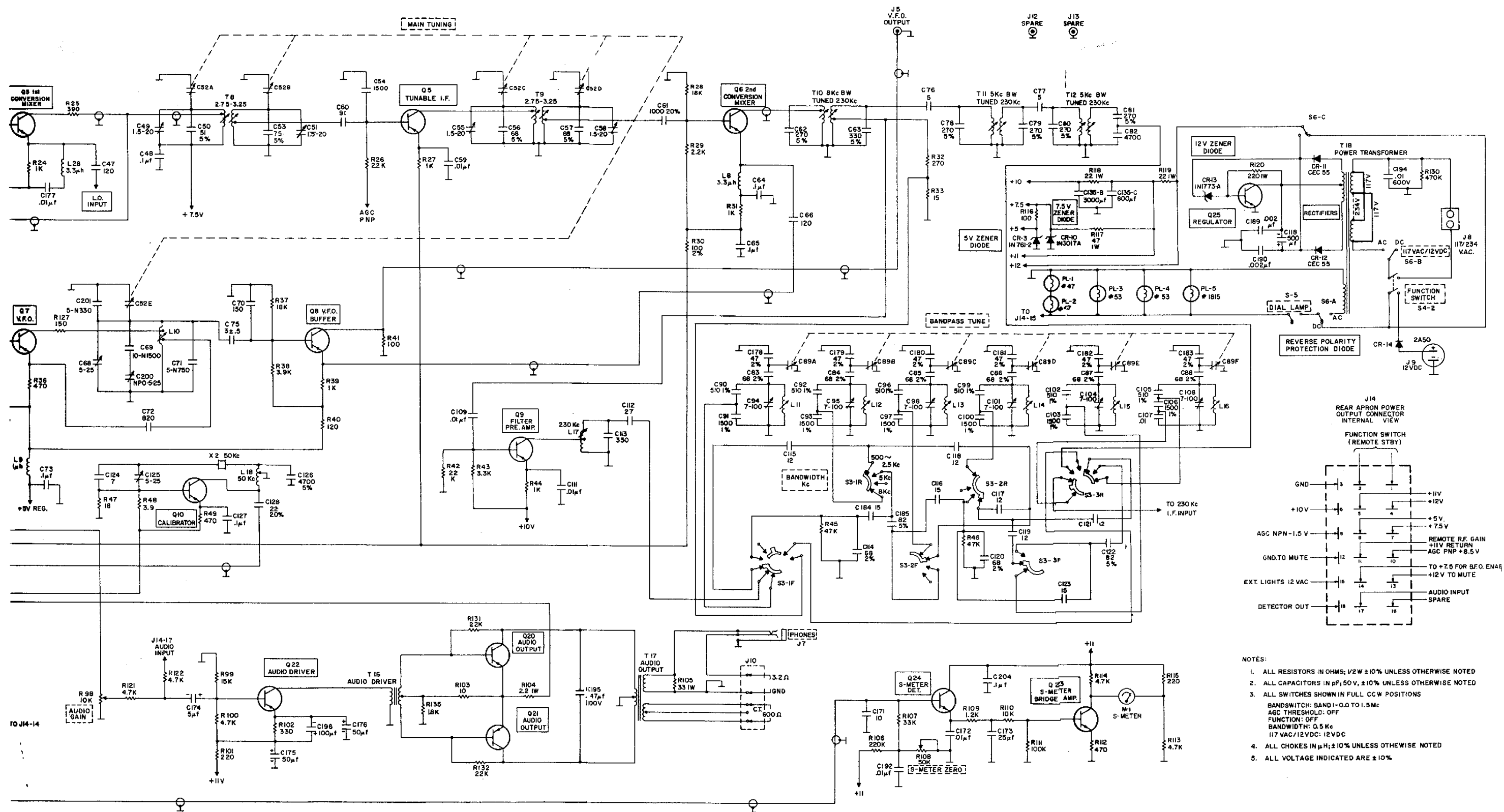
L 316
 13.25 - 22.75 MC

L 317
 7.25 - 12.75 MC

+7.5V FROM 4.75 MC OSCILLATOR







- NOTES:
1. ALL RESISTORS IN OHMS; 1/2W ±10% UNLESS OTHERWISE NOTED
 2. ALL CAPACITORS IN pF; 50V, ±10% UNLESS OTHERWISE NOTED
 3. ALL SWITCHES SHOWN IN FULL CCW POSITIONS
 BANDSWITCH: BAND 1-0.0 TO 1.5Mc
 AGC THRESHOLD: OFF
 FUNCTION: OFF
 BANDWIDTH: 0.5 Kc
 117 VAC/12VDC: 12VDC
 4. ALL CHOKES IN pH; ±10% UNLESS OTHERWISE NOTED
 5. ALL VOLTAGE INDICATED ARE ±10%

SCHMATIC DIAGRAM—RECEIVER
 FIGURE 50