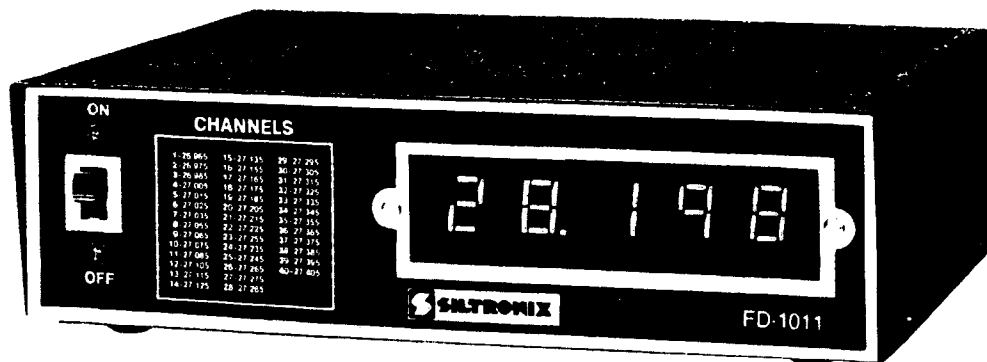


OPERATION AND MAINTENANCE

SILTRONIX

MODEL FD-1011 DIGITAL DIAL



Downloaded by
RadioAmateur.EU



A Division of Cubic Corporation

October 1976

TABLE OF CONTENTS

SECTION I DESCRIPTION			Para.	Title	Page
Para.	Title	Page			
1-1	General	1	4-7	Detailed Description	3
1-4	Specifications	1	4-9	System Clock	3
SECTION II INSTALLATION			4-12	Timing Signal Generation	3
2-1	Fixed Installation	2	4-14	Signal Sampling	4
2-3	Mobile Installation	3	4-16	Display	4
2-6	VFO Connection	2	4-18	Reset	4
SECTION III OPERATION			4-20	Power Supply	4
3-1	On/Off Switch	2	SECTION V MAINTENANCE		
3-3	Display	2	Para.	Title	Page
SECTION IV THEORY OF OPERATION			5-1	General	6
4-1	General	3	5-3	Calibration	6
4-3	Functional Description	3	5-5	Disassembly	6
SECTION VI PARTS LISTS			5-6	Cover Removal	6
			5-8	Circuit Board Removal	6
			5-10	Display Removal	6
			5-12	Troubleshooting	6
			6-1	General	11

LIST OF ILLUSTRATIONS

Figure 4-1. Block Diagram	5
Figure 4-2. Timing System Waveforms	5
Figure 5-1. Component Locations	12
Figure 5-2. Schematic Diagram	13

LIST OF TABLES AND CHARTS

Table 1-1. Specifications	1
Chart I — Troubleshooting Guide	7
Chart II — Troubleshooting, Unit Inoperative Display Lighted with 25.500	8
Chart III — Troubleshooting, Timing System Inoperative	9
Table 6-1. Replaceable Parts List.	11

SECTION I DESCRIPTION

1-1 GENERAL

1-2 The Siltronix Model FD-1011 Digital Dial is a companion unit to the Siltronix Model 1011D 10 Meter Amateur Radio Transceiver and Citizens Band (CB) Receiver. Plugging two connectors from the FD-1011 into mating connectors on the rear panel of the Model 1011D completes the installation. The FD-1011 then indicates the frequency to which the Model 1011D is tuned, with crystal controlled time base accuracy, on a five digit LED display. The FD-1011 is dual powered with provision for 117VAC or 13.8VDC operation. If the companion 1011D is operating from 117VAC power, the power connector for the FD-1011 is plugged into a mating receptacle on the rear panel of the Model 1011D. If the 1011D is operating from

13.8VDC, the FD-1011 is also connected to the 13.8VDC supply through two insulated binding posts on its rear panel.

1-3 The Model FD-1011 is housed in a black, perforated metal case measuring 8 inches wide by 2-1/4 inches high by 6-1/4 inches deep. Four rubber feet elevate the unit 1/4 inch above the surface on which it rests. Front panel controls and indicators are an ON-OFF switch and the five digit frequency display.

1-4 SPECIFICATIONS

1-5 Specifications for the Siltronix Model FD-1011 are listed in Table 1-1.

Table 1-1. Specifications, Siltronix Model FD-1011.

Frequency	26 to 30 MHz.
Resolution	± 1 KHz.
Stability	Better than $\pm 0.005\%$
Sampling Rate	50 times per second. Provides fast up-date of display when frequency of input is changed.
Power Input	117VAC, 60 Hz, 20 Watts Max. 10-16VDC (13.8VDC nominal), 14 Watts Max.
DC Input Ground	Chassis may be (+) or (-) ground. Supply connections insulated from chassis.
Size	8 in. wide by 2-1/4 in. high by 6-1/4 in. deep.

SECTION II INSTALLATION

2-1 FIXED INSTALLATION

2-2 To install the FD-1011 as a companion unit to a Model 1011D Transceiver operating from 117VAC, insert the AC connector from the FD-1011 into the AC receptacle on the rear of the 1011D marked "FD-1011 ACC" (117VAC SW). This receptacle is energized whenever the Model 1011D is turned on, therefore, the FD-1011 power switch may be left on with power being controlled by the Model 1011D. Plug the miniature phone plug, that is on the end of the FD-1011 coaxial cable, into the mating miniature phone jack on the rear of the Model 1011D marked "FD-1011 ACC". Connect a ground strap between the chassis of the 1011D and the FD-1011 using the ground post and wing nut for attachment. Place the FD-1011 alongside the transceiver *NEVER ON TOP OF IT*.

CAUTION

Placing the FD-1011 on top of the Model 1011D Transceiver will interfere with normal convection cooling of the 1011D and can adversely affect component life in that unit. Electrical interference may also be encountered.

2-3 MOBILE INSTALLATION

2-4 Installation of the FD-1011 in mobile applications, or wherever 13.8VDC is used to power the Model 1011 Transceiver, requires that the 13.8VDC source be connected to the two binding posts on the rear of the FD-1011. The positive (+) lead must be connected to the red binding post and the negative (−) lead to the

black binding post. The chassis may be connected to either the positive or negative side of the line as both binding posts are insulated from the chassis. A ground strap should be connected between the Model 1011D Transceiver and the FD-1011 Digital Dial using the ground post and wing nut on the FD-1011.

2-5 In mobile installations, where the two units may be separated up to the length of the interconnecting coaxial cable furnished with the FD-1011, the two units must be grounded to each other either by a single ground strap between them or through the vehicle structure. Do not rely on mounting structure for such grounds but use heavy conductors attached to the ground posts. Keep ground leads as short as possible.

CAUTION

Under no circumstances should the FD-1011 be connected to the Model 1011D Transceiver through either AC receptacle on the rear of the 1011D when the transceiver is powered from the 13.8VDC source through the Model 14A power adapter. Damage to the FD-1011 will result.

2-6 VFO CONNECTION

2-7 Connection to the VFO output of the Model 1011D Transceiver is made with the miniature phone plug on the end of the coaxial cable from the FD-1011 which is plugged into the matching miniature phone jack on the rear of the 1011D Transceiver marked "FD-1011 ACC".

SECTION III OPERATION

3-1 ON/OFF SWITCH

3-2 When the FD-1011 and 1011D are operated from a 117VAC source, power will be applied to the FD-1011 only when the front panel ON-OFF switch, which is combined with the VOLUME control on the 1011D, is turned ON. The front panel ON-OFF switch on the FD-1011 may then be left in the ON position at all times. When operated from 13.8VDC, the front panel ON-OFF switch must be actuated to turn the unit on and off.

3-3 DISPLAY

3-4 When the FD-1011 is turned on, and the 1011D is turned off, the FD-1011 display will indicate 25.500 MHz. This is a normal indication. Remember, the FD-1011 is a companion unit designed specifically for the 1011D Transceiver. When the VFO frequency from the 1011D is injected into the FD-1011 via the interconnecting cable, the FD-1011 will read the frequency to which the Model 1011D is tuned.

SECTION IV THEORY OF OPERATION

4-1 GENERAL

4-2 This section of the manual describes, in detail, the operation of the amplifiers and logic circuits of the Siltronix FD-1011 Digital Dial. The descriptions are in two parts. The first, supported by the block diagram of Figure 4-1, describes the circuit functionally as a prelude to the more detailed descriptions of the second part which is supported by the logic/schematic diagram of Figure 5-2 and a timing diagram, Figure 4-2. The descriptions herein assume a knowledge on the part of the technician of the operation of digital logic circuits such as NAND gates, inverters, counters, decoder/drivers and seven-segment display devices. The FD-1011 uses many integrated circuit packages, some that contain a multiplicity of identical circuits. The circuits within these packages are not discussed in this text. Only the response of certain outputs which are relative to the discussion of the FD-1011 are detailed. Manufacturer's published data, and other publications readily available to electronics technicians, provide the details of the internal circuits of these devices.

4-3 FUNCTIONAL DESCRIPTION

4-4 Refer now to Figure 4-1. When the FD-1011 is connected to a Siltronix Model 1011D transceiver, the output of the transceiver VFO is coupled to the input amplifier of the FD-1011. The sampling gate is enabled for 10 milliseconds by the timing system. The VFO frequency is then divided by a factor of 10 in each of the following decade counters. When the gate is disabled at the end of the sampling period, each of the counters that comprise the division chain will contain a discrete number in BCD code. These numbers as a group are directly related to the input frequency. The most significant figure will be lost and the next most significant figure, plus a count of 5, will be contained in the last counter of the chain and the least significant figure will be in the second counter. The count of 5 that is added is part of the conversion from the VFO frequency to the operating frequency. The operating frequency is the desired display. The addition is further explained in the detailed circuit description.

4-5 When the sampling period ends, the decoder/drivers are enabled for 9 milliseconds. They convert the BCD codes to a code that will drive the seven-segment numerical displays. At the end of the 9 millisecond period, the display is turned off, the counters are reset or preset as appropriate. The sequence is then repeated. During the sampling period the display is blank, however, the pulse rate is 50 Hz and it appears to the human eye that the display is on continually.

4-6 A crystal controlled oscillator operating at 2.048 MHz is the basic timing system. This frequency is first divided by a factor of 4096 and then further divided by 5 and then 2 to generate the signals from which the system timing signals will be generated. The timing system, through the combination of signals applied to gates and inverters, generates the sampling, display and reset timing signals which control the sampling, display and reset sequence.

4-7 DETAILED DESCRIPTION

4-8 Unless otherwise noted, all circuit references in this text are to the schematic/logic diagram of Figure 5-2.

4-9 System Clock

4-10 The system clock frequency stability is maintained by a crystal controlled oscillator comprised of quartz crystal V1, inverters A14-D and A14-E and associated components. The oscillator operates at a frequency of 2.048 MHz and this frequency is adjusted within small limits by variable capacitor C18. C18 permits precise adjustment of the clock frequency.

4-11 The 2.048 MHz signal from the oscillator is divided by a factor of 16 in each of the counters, A12, A13 and A14 for a total division of 4096. The frequency at the output of A12 is 500 Hz. This is further divided by 5 to produce signals A11-11 and A11-12 shown in Figure 4-2.

4-12 Timing Signal Generation

4-13 The identifications of the timing signals of Figure 4-2 are derived from the IC and terminals of their origins. For example, the 500 Hz clock originates from A12, terminal 11. It is identified as A12-11. Timing signal (A), which is the reset pulse, is generated by first combining the 500 Hz clock with A11-11 in NAND gate A6-A. Referring to Figure 4-2 it is seen that the inputs to A6-A are both high only during the time of each 5th successive clock pulse. This produces a train of 1 millisecond negative pulses at 1/5th the clock rate. This pulse train is then inverted in A1-A and applied to the input of NAND gate A6-D along with a 50 Hz square wave from A1-B which is waveform (C) inverted. The inputs to A6-D are both high only during each second pulse of A1-A-2. This eliminates the intervening pulse and generates waveform (A). Waveform (B) is generated by combining waveform A and the inverted waveform (C), (A1-B-4), in NAND gate A6-C. Waveform (A) goes low for 1 millisecond prior to A1-B-4. This, then,

generates a pulse that is high for 11 milliseconds and low for 9 milliseconds and which is inverted for waveform (B).

4-14 Signal Sampling

4-15 The VFO signal from the 1011D is applied to the base of Q1 which uses negative feedback and a tuned circuit in series with the collector to provide an essentially flat response across the frequency range of the VFO. The output of the amplifier is then applied to the sampling gate, A6-B. A6-B is enabled by timing signal (C) for 10 milliseconds out of the 20 millisecond time base. The VFO frequency is, thus, gated to the counter chain for that period. The gated VFO signal is first prescaled by 10 in A15. A10 is a decade counter and its terminals 12, 9, 8 and 11, respectively, will produce a BCD code equal to the number of pulses appearing at its clock input terminal 14. Since it is a decade counter, terminal 11, the "8" output, will be high during the eighth and ninth clock pulses. On the tenth pulse, it will go low clocking A9 which is another decade counter. (The 7490 is clocked on the negative going edge of the input pulse). After ten input pulses, the BCD code at the output terminals of A10 will be "0" and at the output of A12 it will be "1". A8 will be clocked by A9 when A9 accumulates 10 counts after 100 input pulses to A10. A7 will similarly be clocked by A8 after 1000 input pulses to A10. At the end of 10 milliseconds, when the sampling gate is disabled, the four counters will contain numbers in BCD code proportional to the VFO frequency + 5.5 KHz. A8 and A7 were each preset prior to the sampling period, to a count of 5. If the receiver is tuned to 28.000 MHz the input frequency to the FD-1011 will be 22.500 MHz. Since the gate is opened for only 10 milliseconds, the number of input pulses to A15 will be 225,000 which will be divided to 22,500 prior to the input of A10. This will be divided in A10, A9, A8 and A7 as previously discussed. The most significant figure will overflow out of A7 and will be lost. (Since it is always a "2", this is of no importance as the most significant number in the display is permanently set at "2"). Since A7 and A8 will both preset to 5, they will now have been clocked to 8 and 0 respectively by the next two significant numbers: e.g., 25 + 55 equals 80. (Remember, the first 2 overflowed). A9 and A10 both contain BCD codes of "0". The numbers in the counters, reading from right to left are 8-0-0-0.

4-16 Display

4-17 Immediately on disabling of the sample gate, timing signal (B) unblanks decoder drivers A2, A3, A4 and A5 for 9 milliseconds. The decoder drivers convert the BCD code to a code that will display the BCD number on the seven-segment displays Z1, Z2, Z3 and Z4, to which they are connected. A fifth seven-segment display, Z5, is connected so as to always display a number 2 and the decimal point in Z4 is permanently connected. The display now reads 28.000 MHz. The 1011D VFO oscillator operates low side, 5.5 MHz below the frequency to which the transceiver is tuned. If we add 5.5 MHz to the VFO frequency of 22.500 MHz the sum is 28.000 MHz. This is the frequency to which the transceiver is tuned. The resistors that interconnect the decoder drivers and the display limit the current through the display segments to approximately 15 milliamps per segment.

4-18 Reset

4-19 At the end of the 9 millisecond display period, the display is blanked. Counters A9, A10 and A15 are reset by timing signal (A) inverted and counters A7 and A8 are both preset to 5 by (A) completing the sample, display, reset sequence which is then repeated.

4-20 Power Supply

4-21 The power supply operates from either 117VAC or 13.8VDC. Though no damage would occur if the unit were connected to both sources simultaneously, no assurances could be given for which source was supplying power at any particular time. 117VAC is connected to T1 through S1 and F2. 9VAC, nominal, at the output of T1, is converted to 12.6VDC by the bridge rectifier. 12.6VDC powers the display which is filtered by C4 and regulated to 5VDC by the F74M05UC regulator. C5, C6 and C7 provide RF bypassing.

4-22 13.8VDC enters through CR1, S1, F1 and CR2, CR3 and CR4. The diodes drop the input by approximately 3.5 volts to approximately 10.3 which is then applied to the displays and to the 5 V regulator.

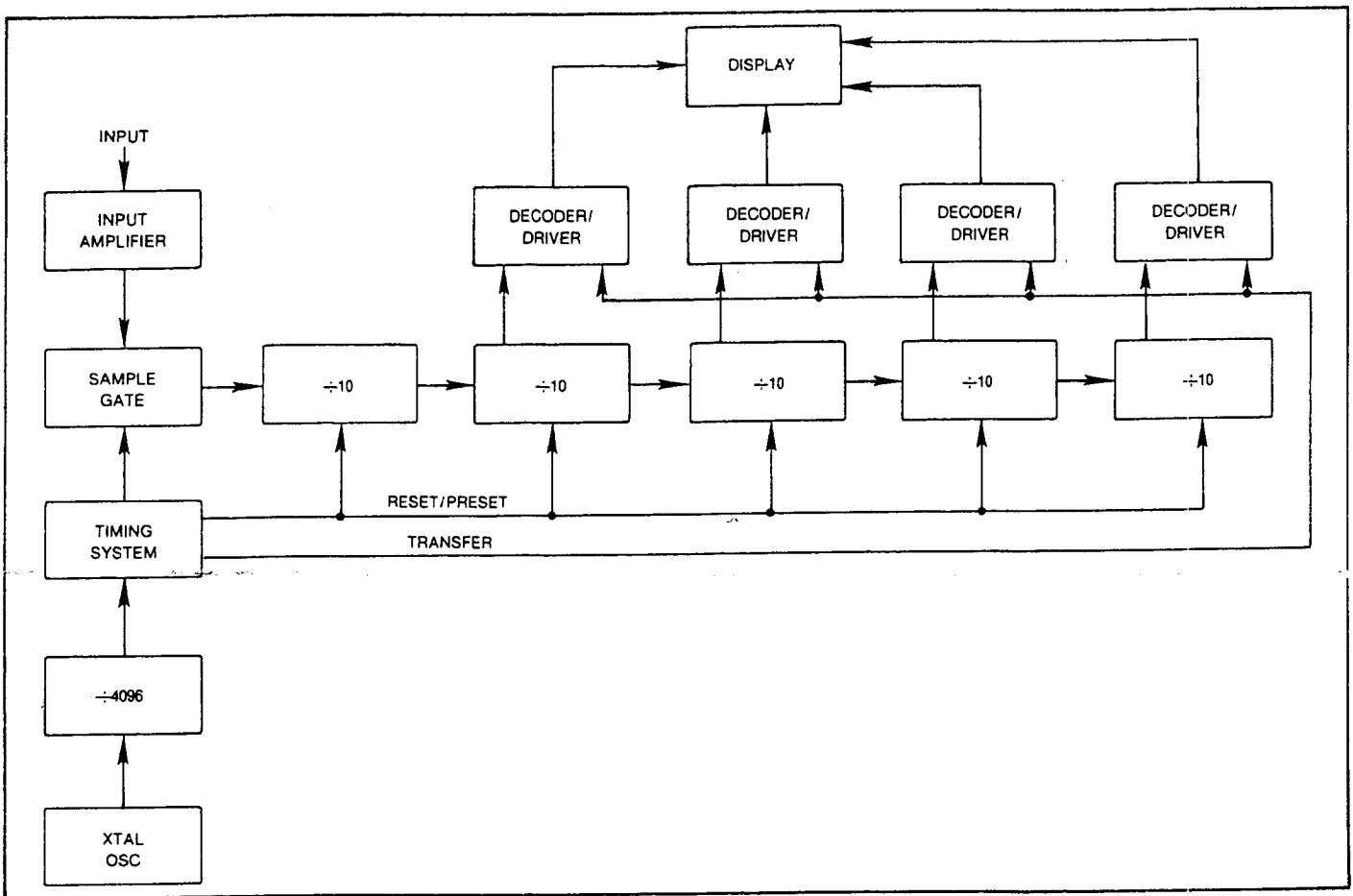


Figure 4-1. Block Diagram, Model FD-1011.

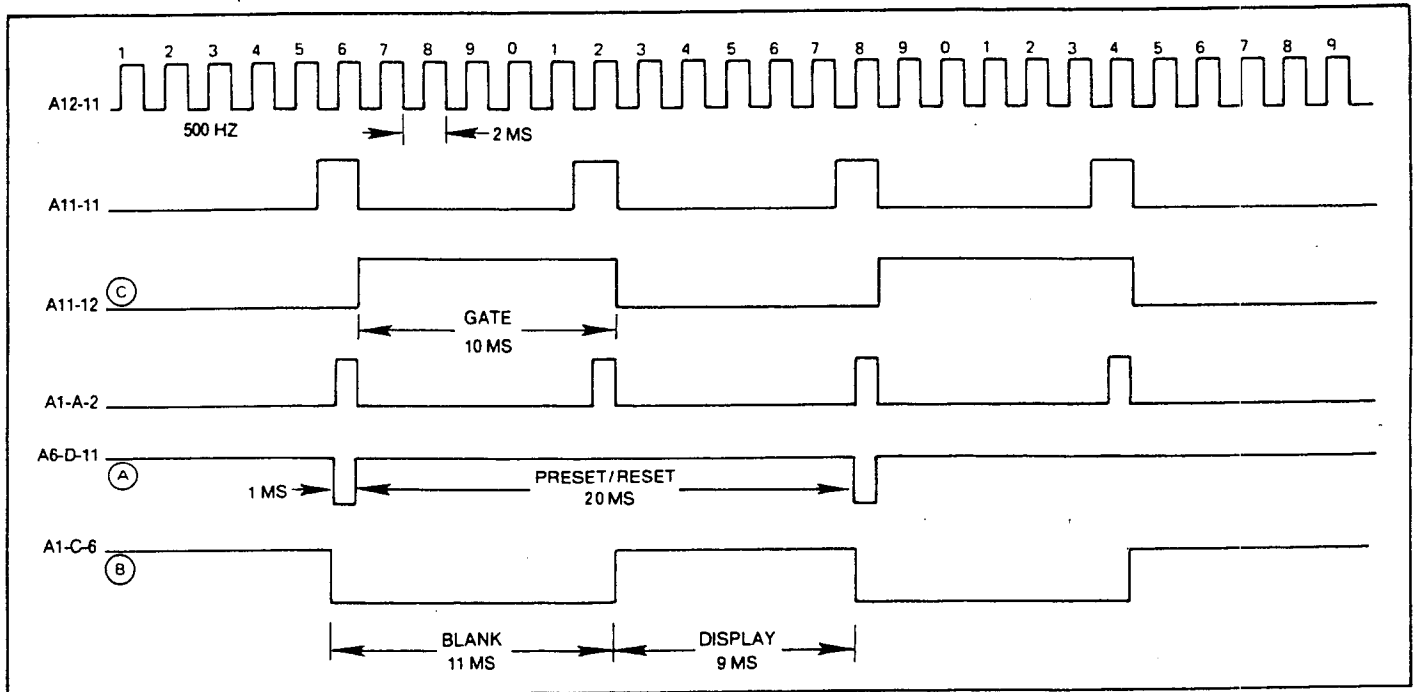


Figure 4-2. Timing System Waveforms.

SECTION V MAINTENANCE

5-1 GENERAL

5-2 The Siltronix FD-1011 Digital Dial requires no periodic or preventative maintenance. Maintenance procedures, therefore, cover calibration, disassembly and troubleshooting.

5-3 CALIBRATION

5-4 Connect a counter to the 1011D VFO output or to a signal generator and set the frequency to 23.500 MHz ± 0.0001 MHz. Next, connect the source of that frequency to the input of the FD-1011. Use an INSULATED screwdriver and adjust C12 through the rubber grommet until the FD-1011 display reads 29.000 MHz ± 0.000 MHz.

NOTE

The counter should have accuracy of ± 1 KHz at 23 MHz. The counter may be connected to a "T" in the line between signal source and the 1011D.

5-5 DISASSEMBLY

5-6 Cover Removal.

5-7 It is necessary to remove the cover of the FD-1011 to gain access to the circuit components. Remove two screws on both sides of the unit and lift the cover clear.

WARNING

The FD-1011, when connected to a source of 117VAC contains voltages that are dangerous to life. Remove the plug from the power receptacle before removing the cover.

5-8 Circuit Board Removal

5-9 Remove the two #4 screws at the forward corners of the circuit board that pass through the small brackets and into the threaded standoffs that are swaged into the chassis. Turn the unit over and remove the three sheet metal screws that hold the rear panel to the chassis. Separate the rear panel and chassis. The circuit board is attached to the rear panel and its underside will now be completely exposed allowing removal of any component. Reassembly will be accomplished with the reverse procedure. When reassembling, check that the circuit board is fully forward with the plate on each switch resting snugly against the front panel before tightening the screws.

CAUTION

Use care in removal of components so as not to damage the etched wiring on the board. Use a low temperature soldering iron and vacuum solder removal tool. All leads from IC's should be cut and then removed one by one to avoid overheating of the circuit board.

5-10 Display Removal

5-11 The digit displays are attached to the display board. Remove the main circuit board as directed in paragraph 5-8. This will, then, permit unsoldering and removal of the display.

5-12 TROUBLESHOOTING

5-13 The troubleshooting aids included in this section consist of a Troubleshooting Guide (Chart I), and "logic tree" types of troubleshooting procedures (Charts II and III). They are cross-referenced so that they will lead the technician to the defective component in most cases. It is not possible to anticipate all failure modes, therefore, the technician will do well to review Section IV, Theory of Operation, as preparation for troubleshooting the unit.

CHART I
TROUBLESHOOTING GUIDE

Symptom	Probable Cause/Cure
Unit totally inoperative.	Check fuses.
Unit operates on 117VAC but not on 13.8VDC.	Check fuse and diodes CR1 through CR4.
Operates on DC. Will not operate on AC.	Check for defective fuse, F2, defective transformer T1 and bridge rectifier diodes CR5 through CR8.
All digits in display light but unit is inoperative.	See Chart II for troubleshooting procedure for this symptom.
Unit operative but with small error.	Requires calibration. See paragraph 5-3.
Only least significant number in display changes with changed input.	Defective counter A9.
Only least and next significant number in display changes with changed input.	Defective counter A8.
First three digits change with input change, others do not.	Defective counter A7.
One display (other than most significant figure) does not change with change in input.	If second most significant figure, defective counter A7 or decoder/driver. If other digit, defective decoder/driver.
Most significant figure (permanent "2") is only lighted display.	5 Volt regulator defective.
Display reads 25.500 even with input.	Defective input amplifier Q1, defective sampling gate A6-B. Timing system defect. See Chart II for timing system troubleshooting.
One segment in one digit of display does not light.	Defective display unit. Defective decoder/driver.

CHART II

Unit Inoperative — Display Lighted with 25.500.

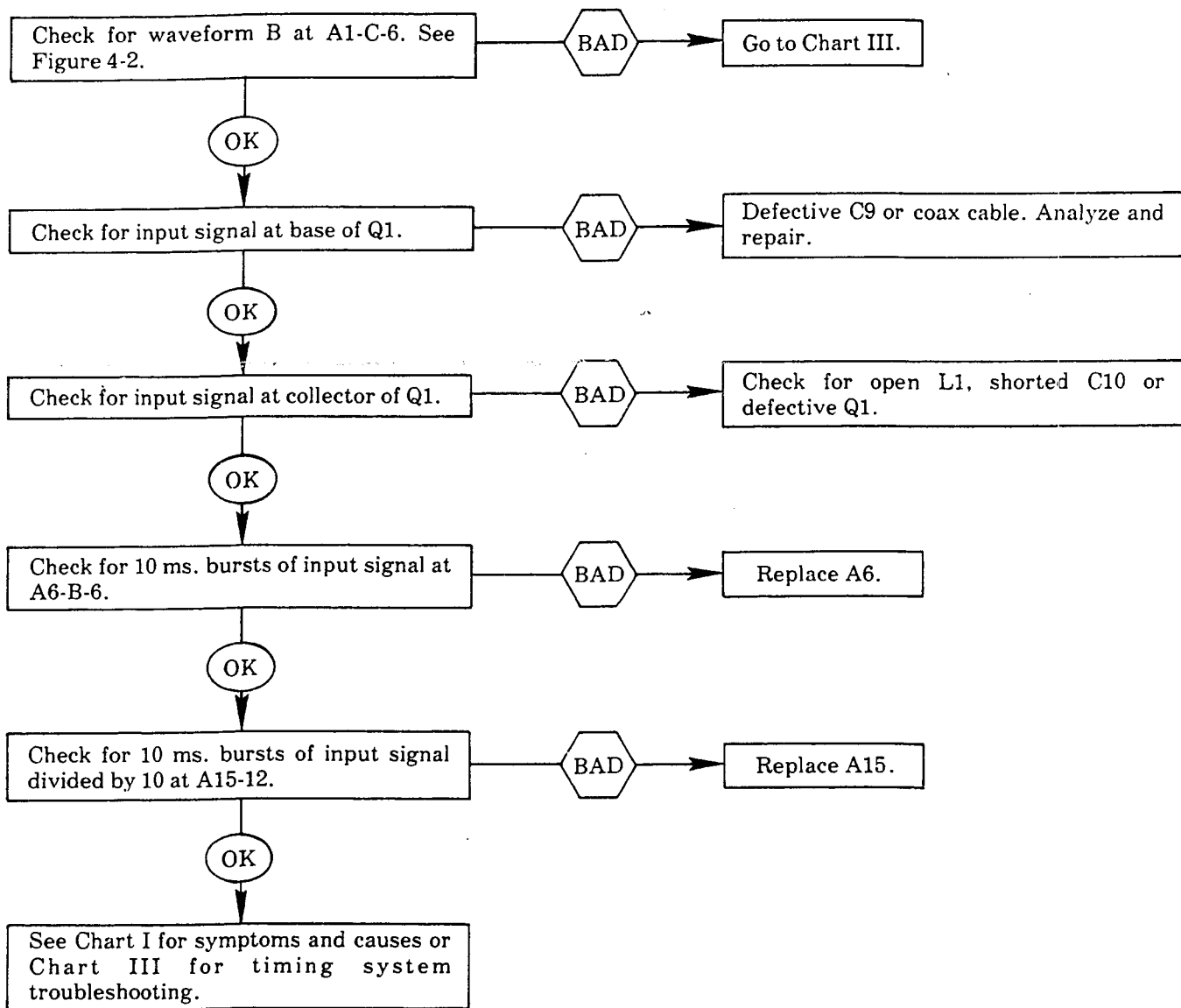


CHART III
Timing System Inoperative.

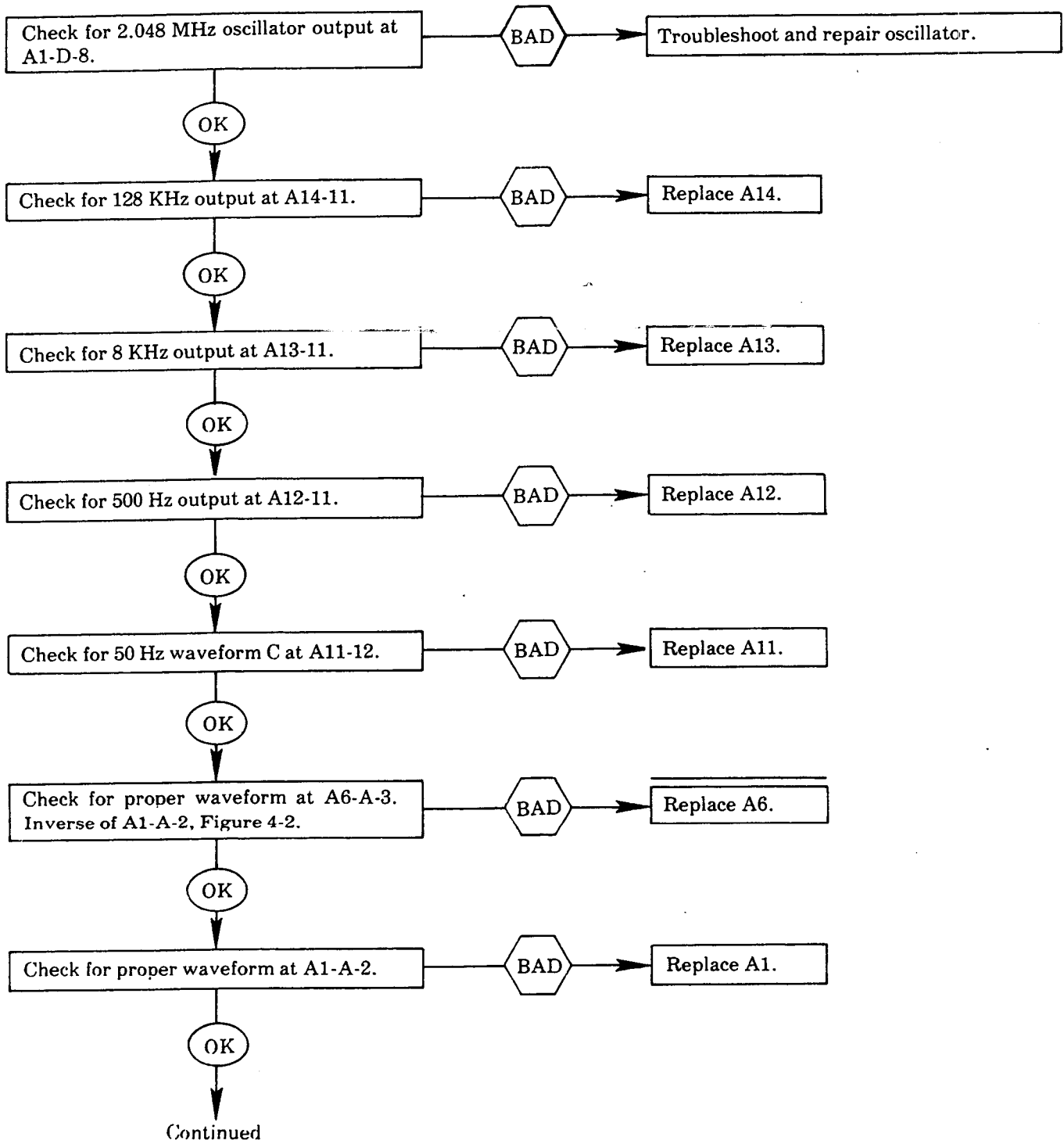
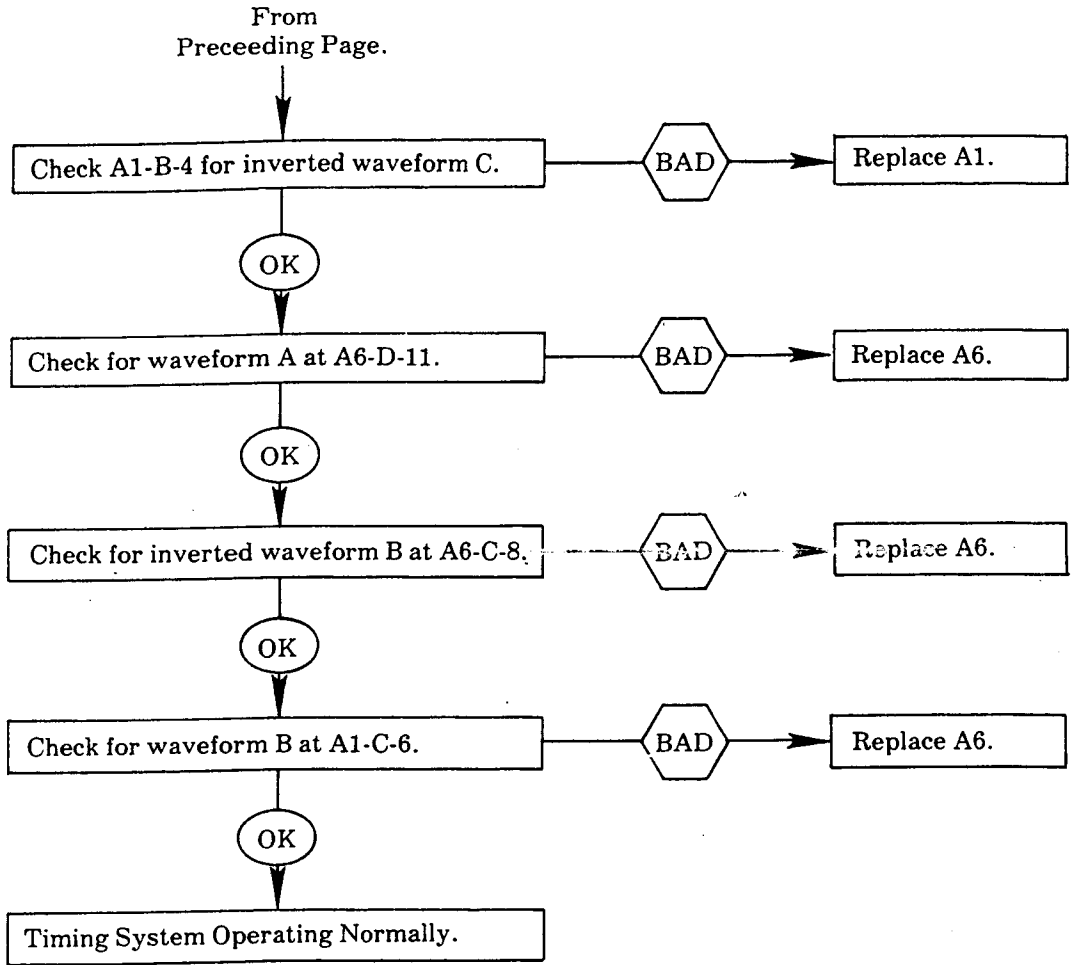
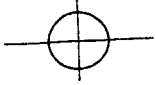


CHART III
(Continued)





Downloaded by RadioAmateur.EU

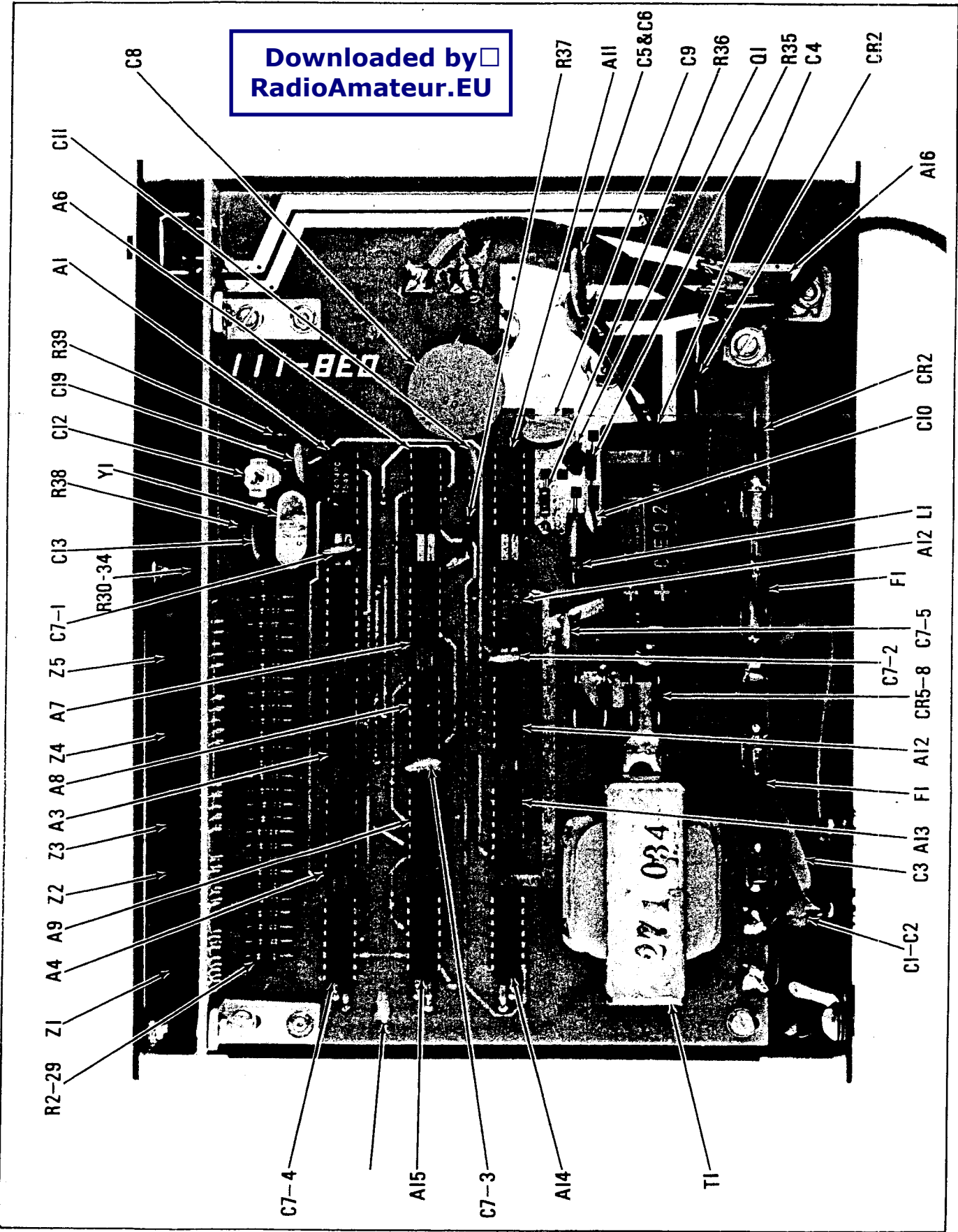
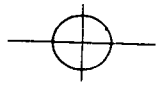
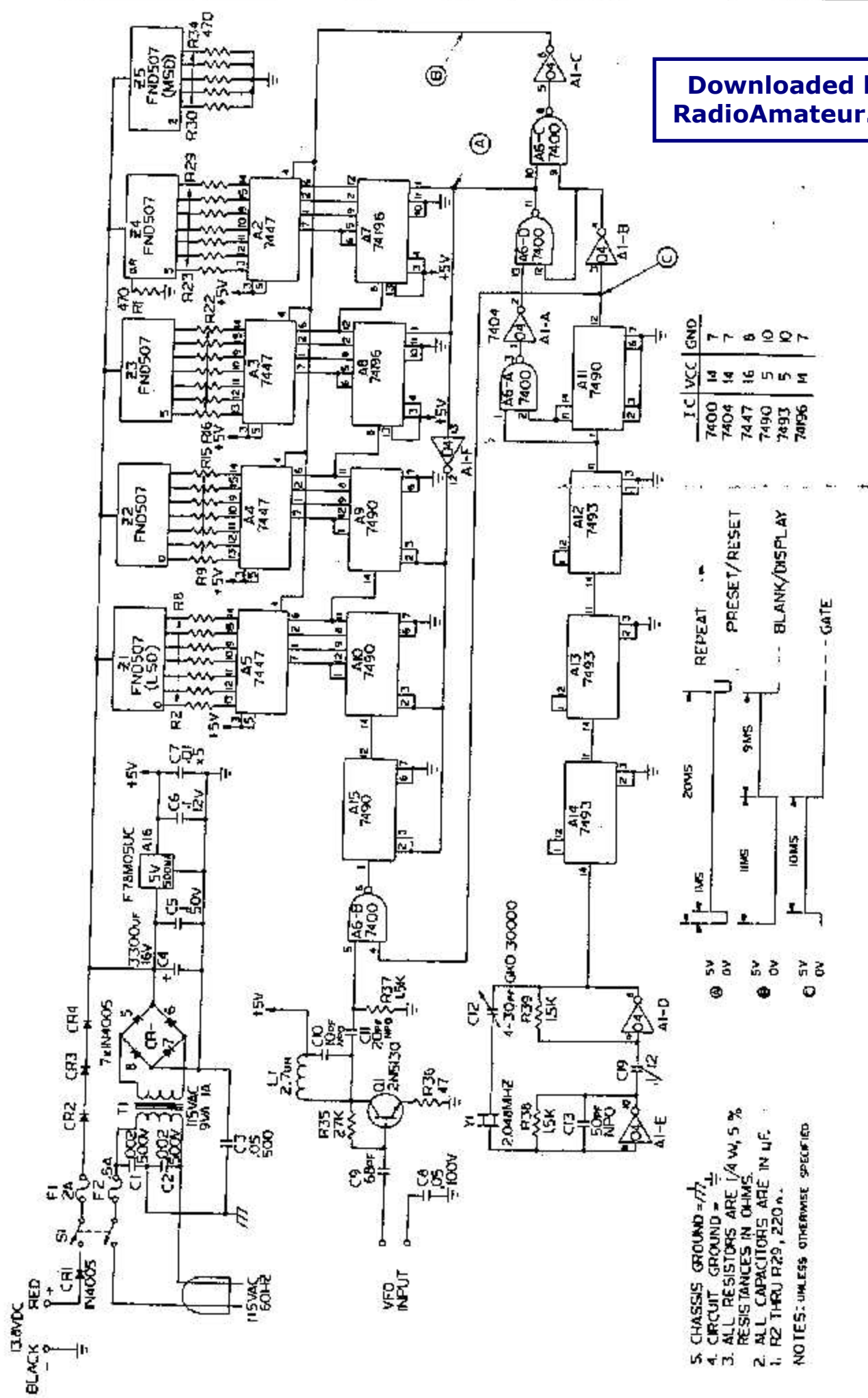
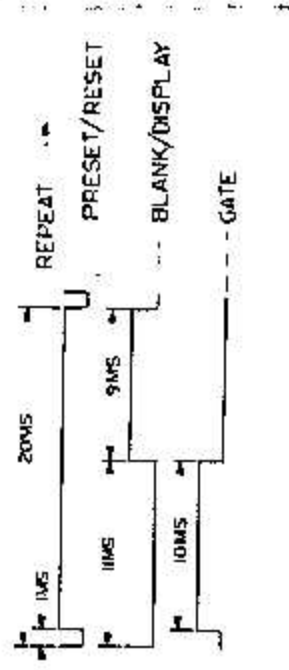


Figure 5-1. Component Locations.





I.C.	VCC	GND
7400	14	7
7404	14	7
7447	16	8
7490	5	10
7493	5	10
7496	14	7



5V
0V
5V
0V
5V
0V

- 5. CHASSIS GROUND = 77
 - 4. CIRCUIT GROUND = 77
 - 3. ALL RESISTORS ARE 1/4 W, 5 % RESISTANCES IN OHMS.
 - 2. ALL CAPACITORS ARE IN uF.
 - 1. R2 THRU R29, 220 Ω.
- NOTES: UNLESS OTHERWISE SPECIFIED

Figure 5-2. Schematic Diagram.

SECTION VI PARTS LISTS

6-1 GENERAL

6-2 The replaceable electrical parts of the FD-1011

listed in Table 6-1. When ordering items not listed in Table 6-1, please furnish a complete description of the item.

Table 6-1. Replaceable Parts List

CAPACITORS			Cir. Ref.	Description	Part No.
Cir. Ref.	Description	Part No.			
C1	0.002 mfd., 500V, Disc	072-018	A7	Decade/Binary Counter/Latch, 74196	477-035
C2	0.002 mfd., 500V, Disc	072-018	A8	Decade/Binary Counter/Latch, 74196	477-035
C3	0.05 mfd., 500V, Disc	072-053	A9	Decade Counter/Divider, 7490	477-033
C4	3300 mfd., 16V	073-071	A10	Decade Counter/Divider, 7490	477-033
C5	0.1 mfd., 50V	072-038	A11	Decade Counter/Divider, 7490	477-033
C6	0.1 mfd., 12V, Disc	072-052	A12-		
C7	0.01 mfd., 100V, Disc	072-040	A14	Counter/Divider, 7493	477-024
C8	0.05 mfd., 500V, Disc	072-053	A15	Decade Counter/Divider, 7490	477-033
C9	68 pfd., Disc	084-038	A16	Voltage Regulator, F78M05UC	477-024
C10	10 pfd., NPO, Disc	084-060	RESISTORS		
C11	20 pfd., NPO, Disc	084-001	R2-		
C12	4-30 pfd., Trimmer	089-020	R29	220 Ohms, 1/4 Watt, 5%	045-221
C13	50 pfd., NPO, Disc	084-103	R30-		
C19	0.1 mfd., 12V, Disc	072-052	R34	470 Ohms, 1/4 Watt, 5%	045-471
DIODES			R35	27K Ohms, 1/4 Watt, 5%	045-273
CR1-			R36	47 Ohms, 1/4 Watt, 5%	045-470
CR4	1 A, 50V	475-023	R37-		
CR5-			R39	1.5K Ohms, 1/4 Watt, 5%	045-152
CR-8	1A, 50V	475-023	MISCELLANEOUS		
INTEGRATED CIRCUITS			F1	Fuse, 2A	482-016
A1	Hex Inverter, 7404	477-020	F2	Fuse, 0.5A, 250V	482-021
A2-			L1	Inductor, 2.7 uh	027-026
A5	Decoder-Driver, 7447	477-038	Q1	Transistor, 2N5130	476-007
A6	Quad, Two-Input NAND Gate, 7400	477-022	S1	Switch, DPDT, Slide	172-020
			Y1	Crystal, Quartz, 2.048 MHz	486-053
			Z1		
			Z5	Seven-Segment Display	475-044

Downloaded by
RadioAmateur.EU

LIMITED WARRANTY POLICY

SILTRONIX warrants this equipment against defects in material or workmanship, except for tubes and solid-state devices, under normal service for a period of six (6) months from original purchase date. Tubes and solid-state devices are warranted for a period of ninety (90) days. This warranty is valid only if the enclosed warranty registration card is properly completed and mailed to the factory within ten (10) days of purchase date.

If warranty service is required, do not ship equipment to the factory without prior authorization obtained from the SILTRONIX factory. This warranty is limited to repairing or replacing the defective parts only and is not valid if the equipment has been tampered with, mis-used or damaged.

Liability for damage during shipment lies with the carrier and not with SILTRONIX. Any claims or adjustments for shipping damages must be filed directly with the carrier.

THE LIABILITY OF THE COMPANY ON THIS EQUIPMENT IS LIMITED TO THE EXPRESS TERMS OF THE WARRANTY PROVIDED ABOVE. NO WARRANTY OF MERCHANTABILITY AND NO WARRANTY OF FITNESS FOR A PARTICULAR USE IS IMPLIED IN THIS SALE.



A Division of Cubic Corporation

330 VIA EL CENTRO
OCEANSIDE, CALIF. 92054