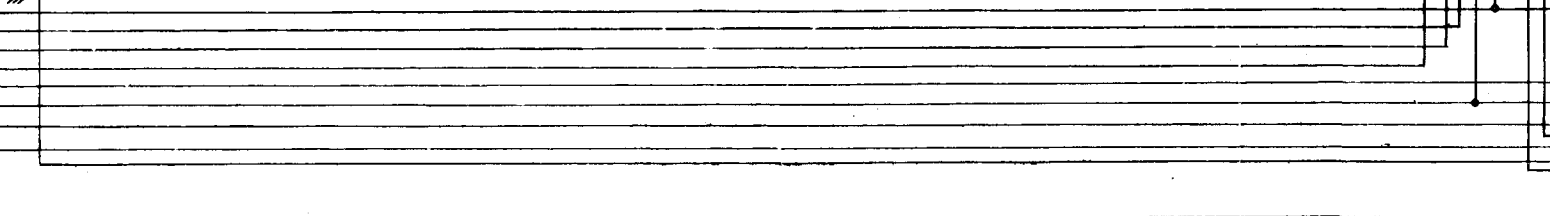
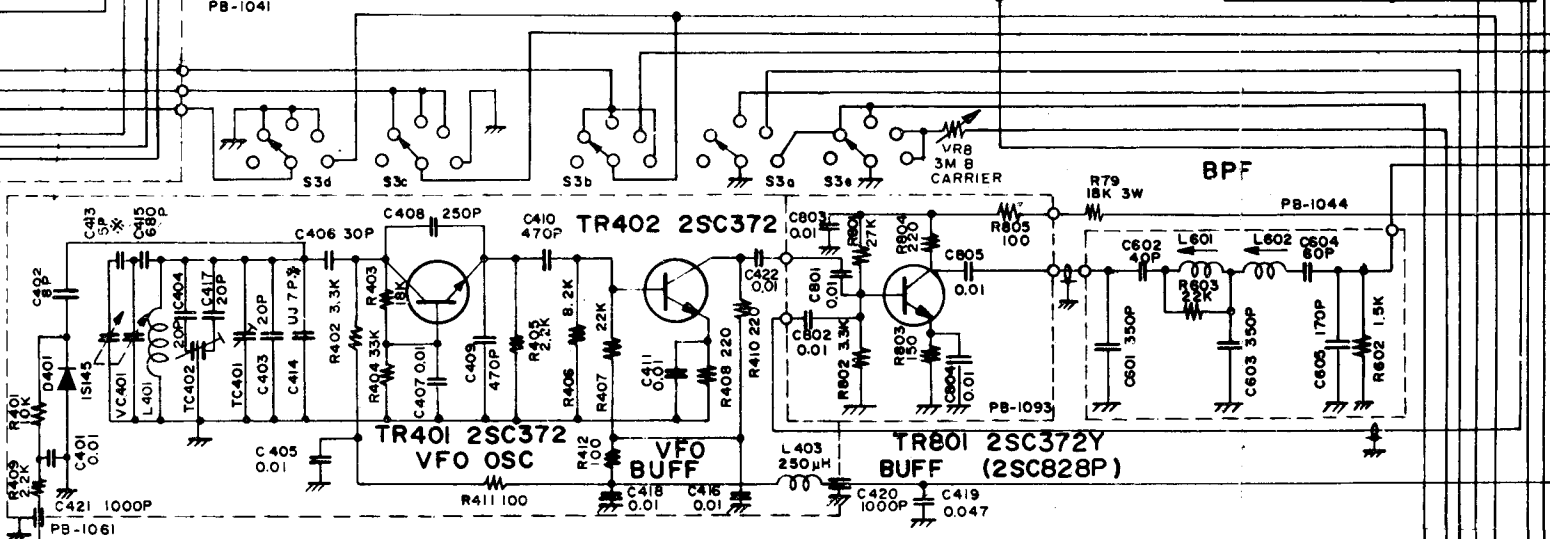
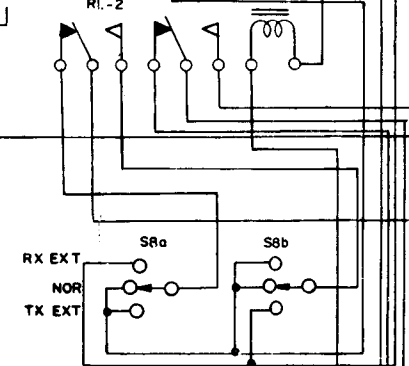
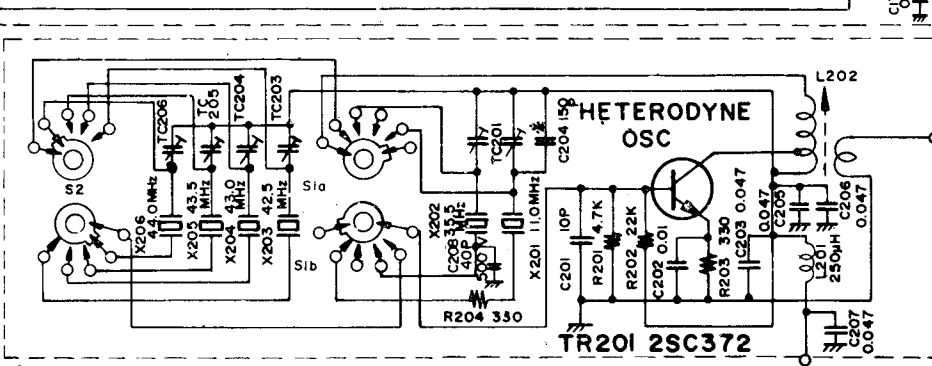
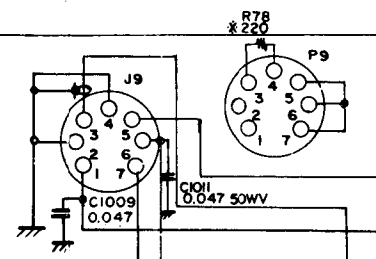
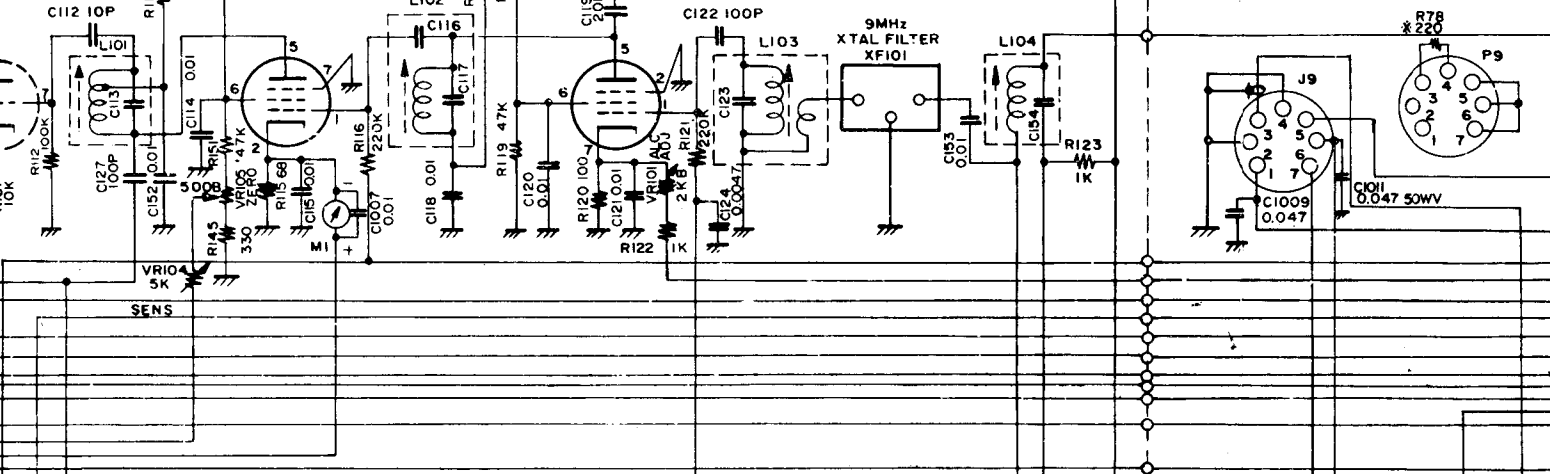
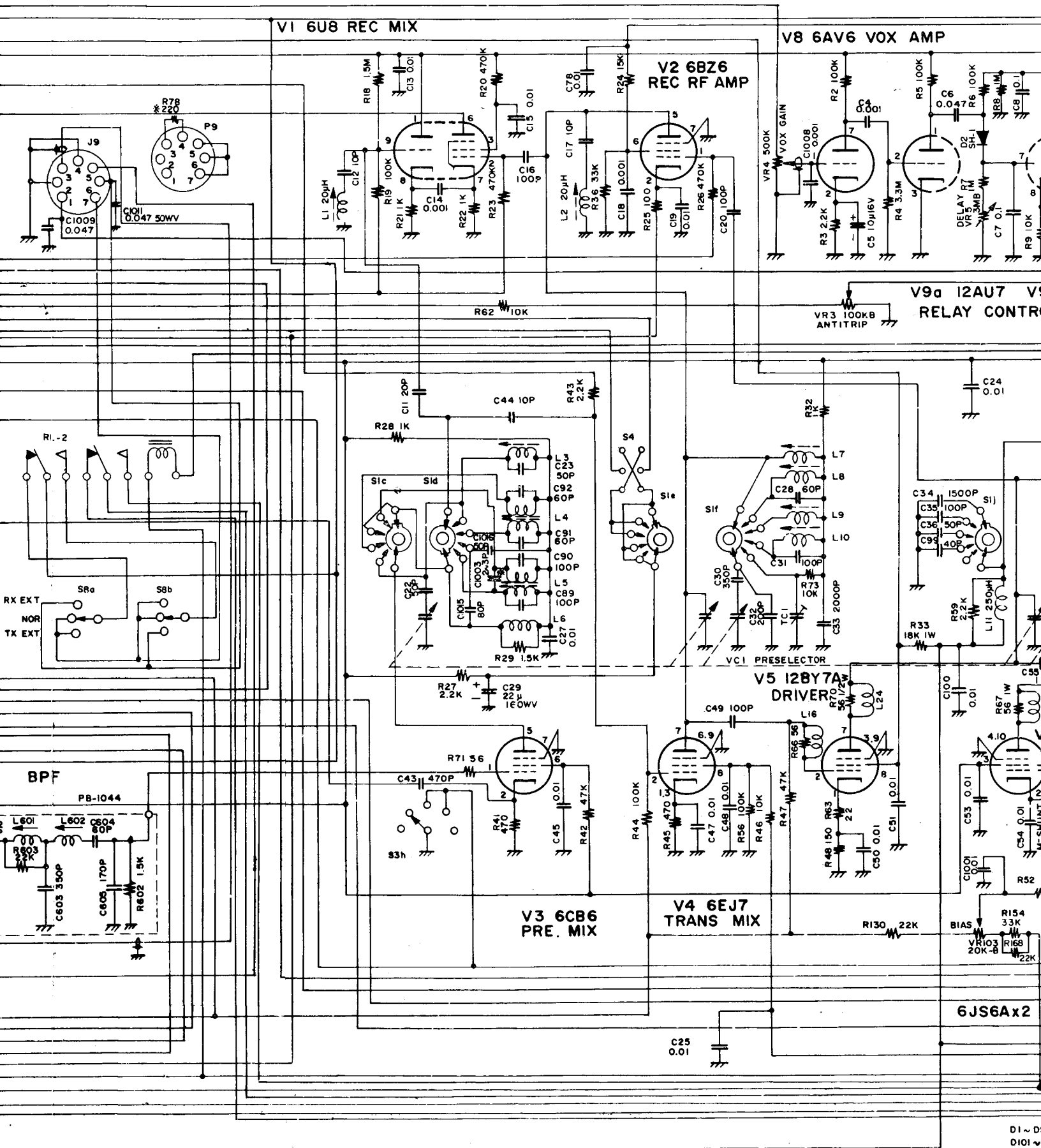


2a 12AX7A  
B CW DET

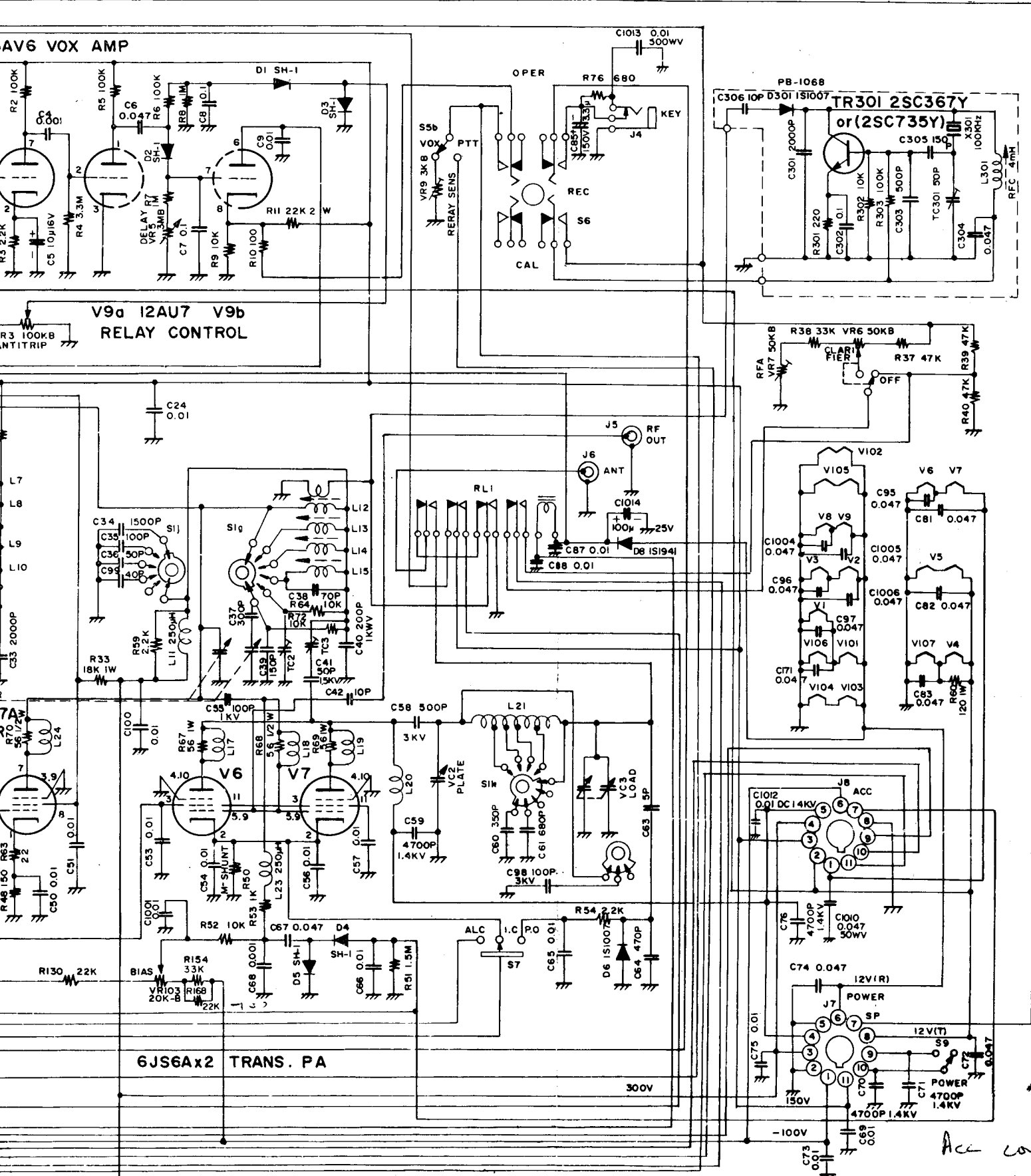
V103 6BZ6  
2nd IF AMP

V104 6BA6  
1st IF AMP





D1 ~ D  
D101 ~  
D106



D1 ~ D5 } SH-1 or 1S1941  
 D101 ~ D103 }  
 D106 }

- NOTES:
1. ALL RESISTORS IN OHM 1/2W ± 10% UNLESS OTHERWISE NOTED.
  2. ALL CAPACITORS IN µF UNLESS OTHERWISE NOTED.
  3. \* VALUE IS NOMINAL.

**FT200/FT250**  
 CIRCUIT DIAGRAM  
 335001

- Acc con
- 1 PA heater
  - 2 12V AC
  - 3 +150V
  - 4 +300V
  - 5 +600V
  - 7 ALC
  - 8 GND
  - 9, 10, 11 relay

relays; 9 TX  
 10 Com  
 11 RX