

CONGRATULATIONS! You have just purchased one of the finest, high performance transceivers available to the amateur today. To fully appreciate the features, flexibility, and efficient operating procedures available with your new transceiver, we recommend that the instruction manual be studied thoroughly prior to operation.

GENERAL:

The FTdx505 Single Sideband Transceiver is a precision built transceiver providing SSB (USB and LSB), and CW modes of operation. This transceiver operates at a maximum input of (560) watts PEP for SSB, and (500) watts CW on all bands, 80 through 10 meters.

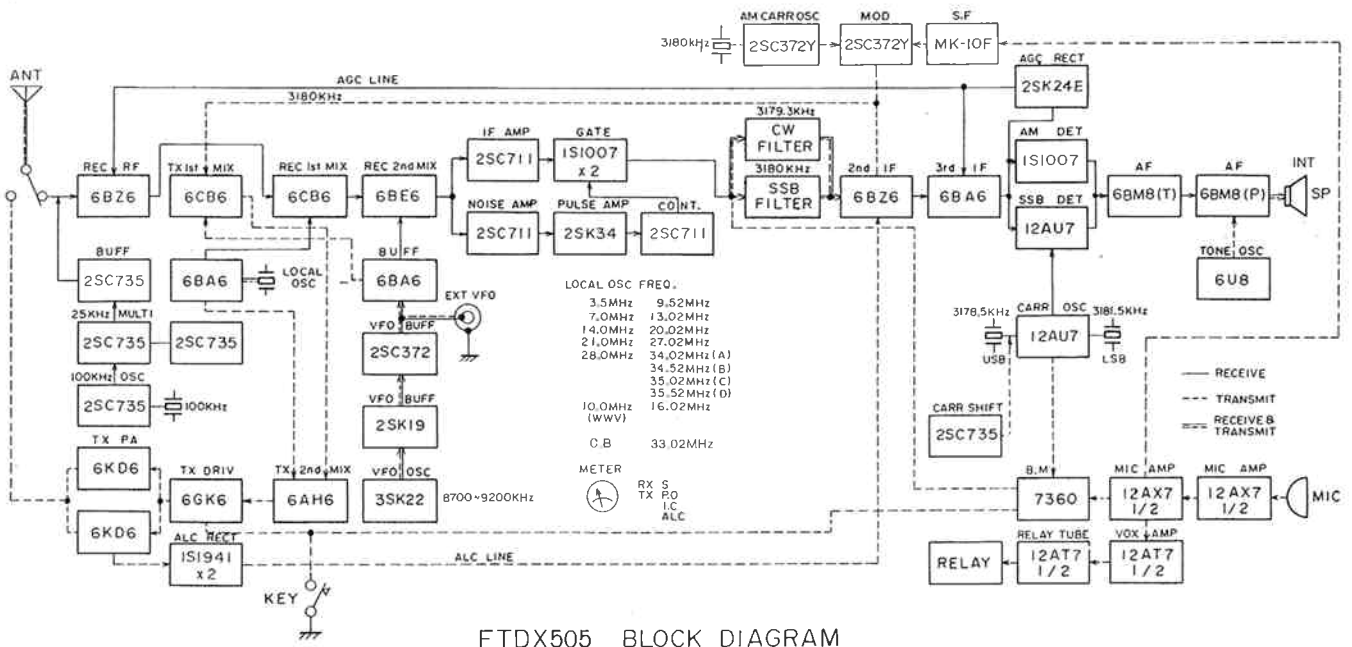
In addition to the high output power of the transceiver, many features that have previously been considered extra cost options are included as standard equip-

ment on the FTdx505 Standard equipment includes built-in solid state power supply, CW filter, noise blanker, cooling fan, fully adjustable VOX, break-in CW operation, adjustable CW side tone, clarifier control provides ± 5 KHz off-set receiver operation, dual calibration markers at 100 and 25 KHz, 10 MHz WWV Band, provision for two additional transceive bands outside the amateur bands between 3.5 and 30 MHz, and front panel external VFO switching.

FV401 External VFO

The companion FV401 External VFO allows cross-band DX operation and has the effect of providing the operator with split frequency, separate receiver-transmitter operation, controlled by VFO or X-tal.

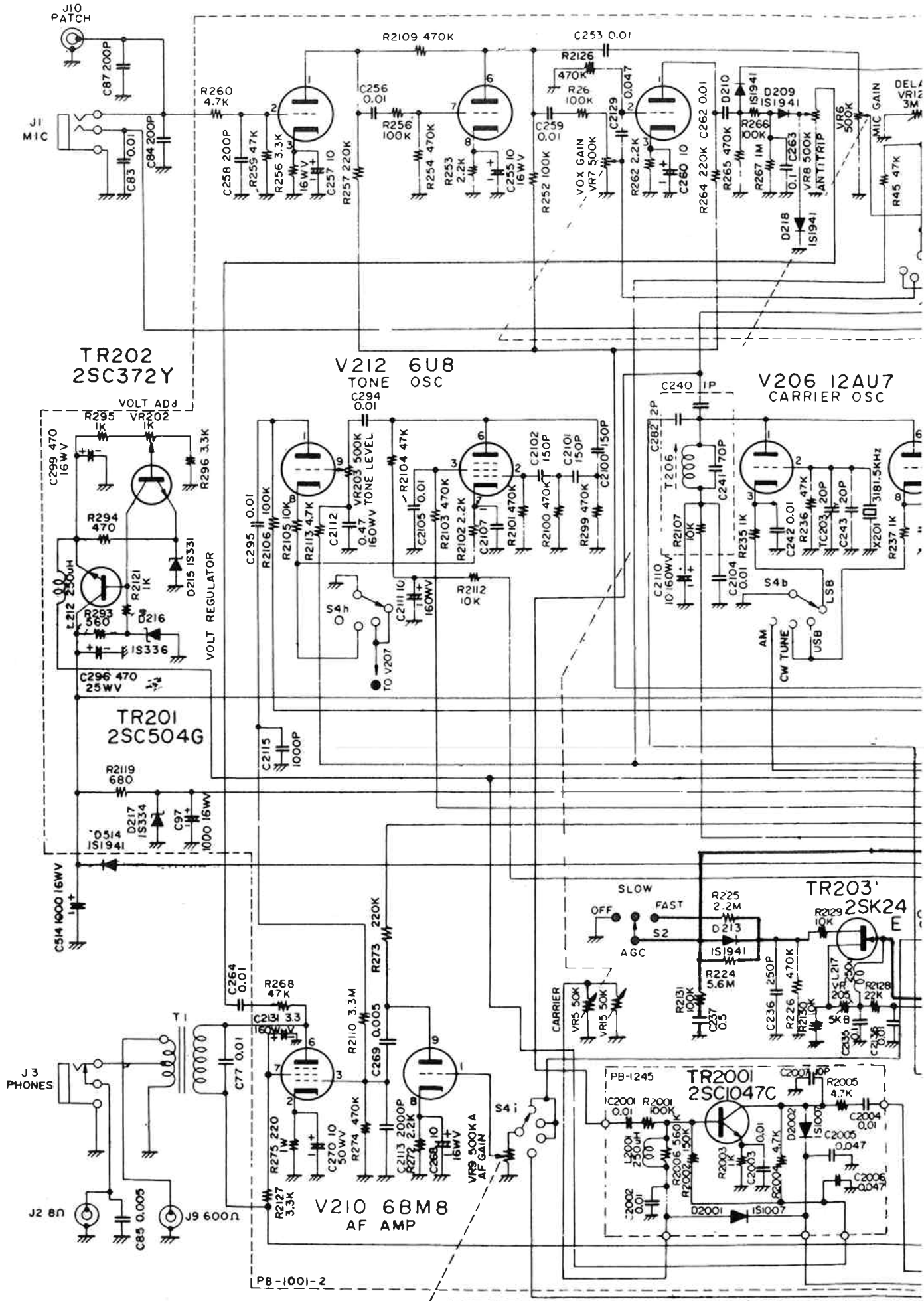
The FTdx505 has been designed to anticipate the amateur's future operating requirements and will provide many hours of trouble free service.



5520-6020

V208 12AX7
MIC AMP

V209a 12AT7
VOX AMP

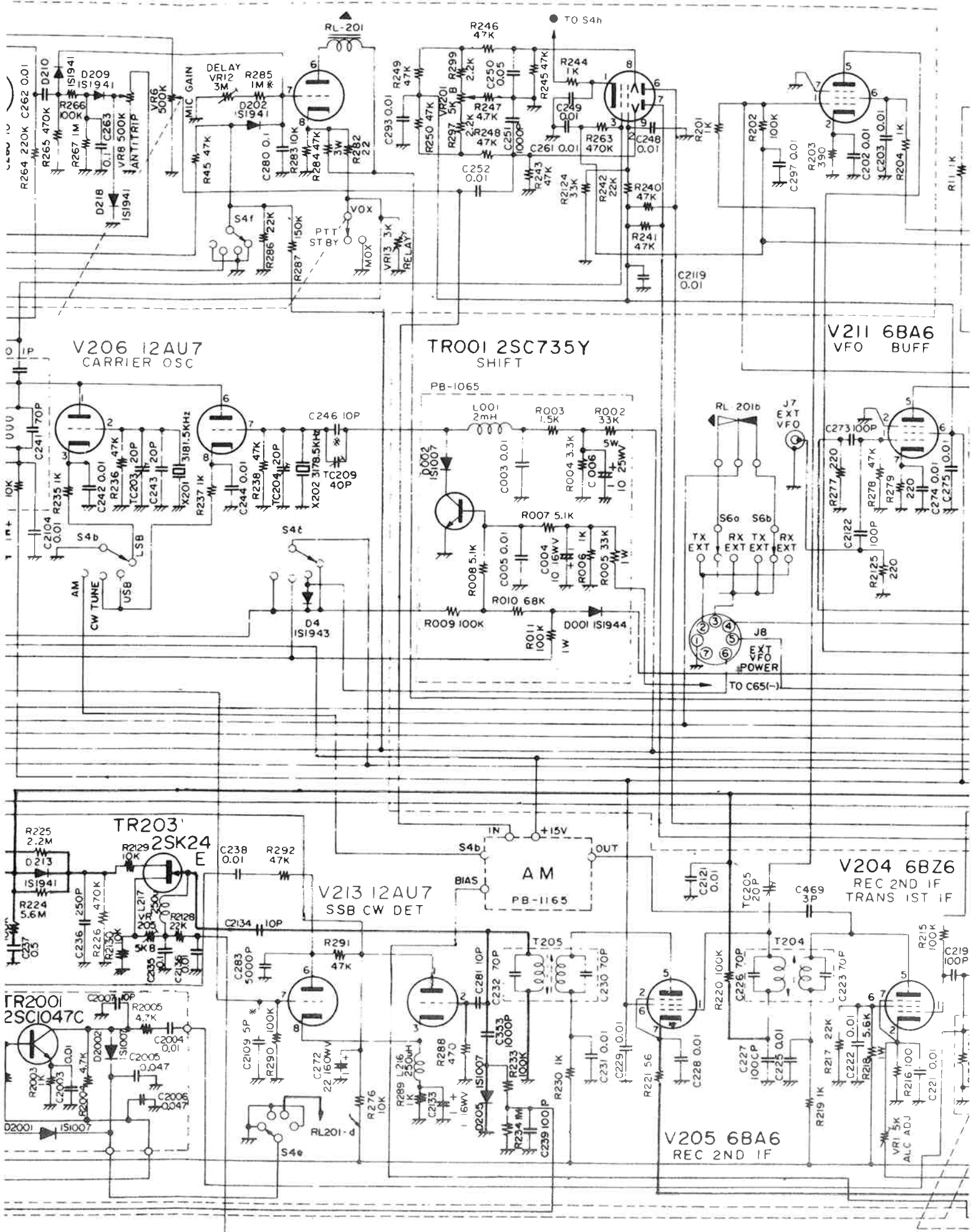


AT7
IP

V209b 12AT7
RELAY CONTROL

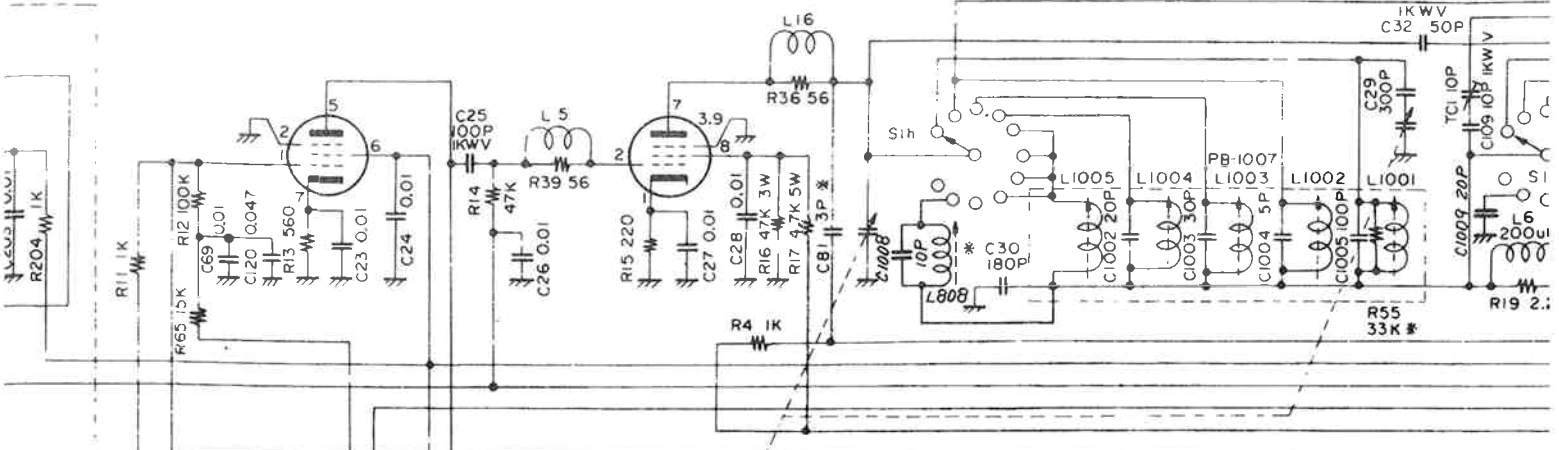
V207 7360
B M

V201 6CB6
TRANS 1ST MIX

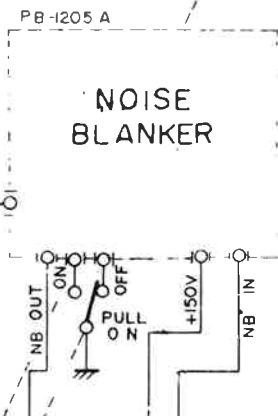
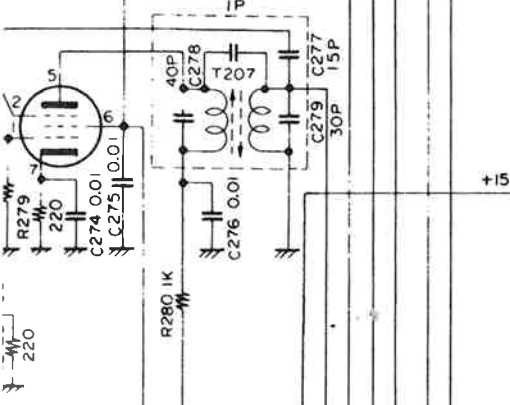


V3 6AH6 TRANS 2ND MIX

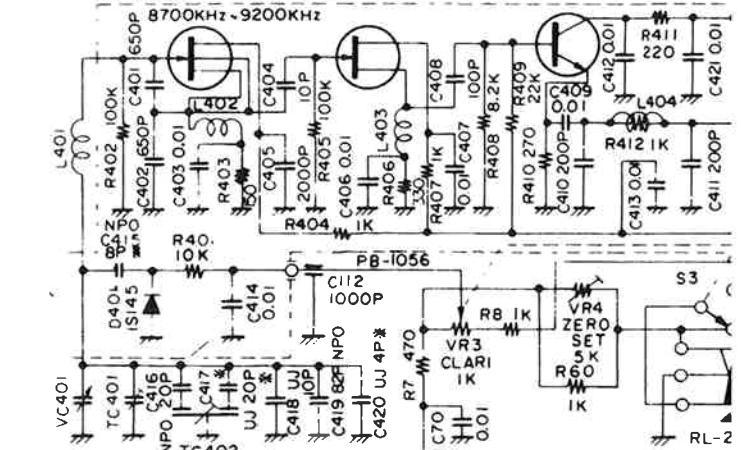
V4 6GK6 DRIVER



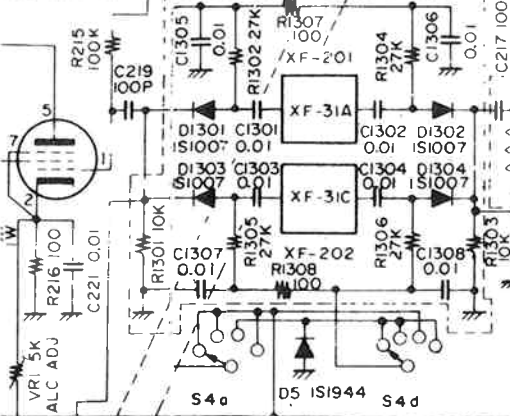
6BA6 BUFF



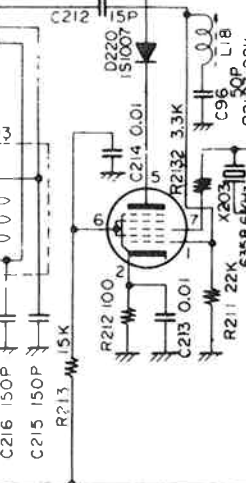
TR401 3SK22G VFO OSC, TR402 2SK19G VFO BUFF, TR403 2SC372Y VFO AMP



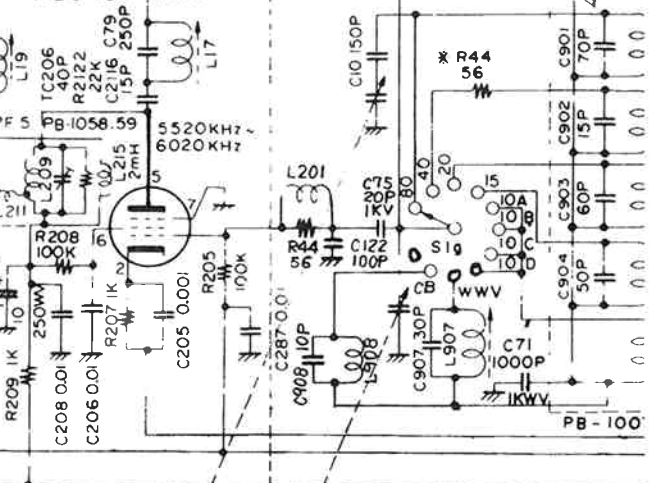
V2 6BZ6 C 2ND IF, NS 1ST IF



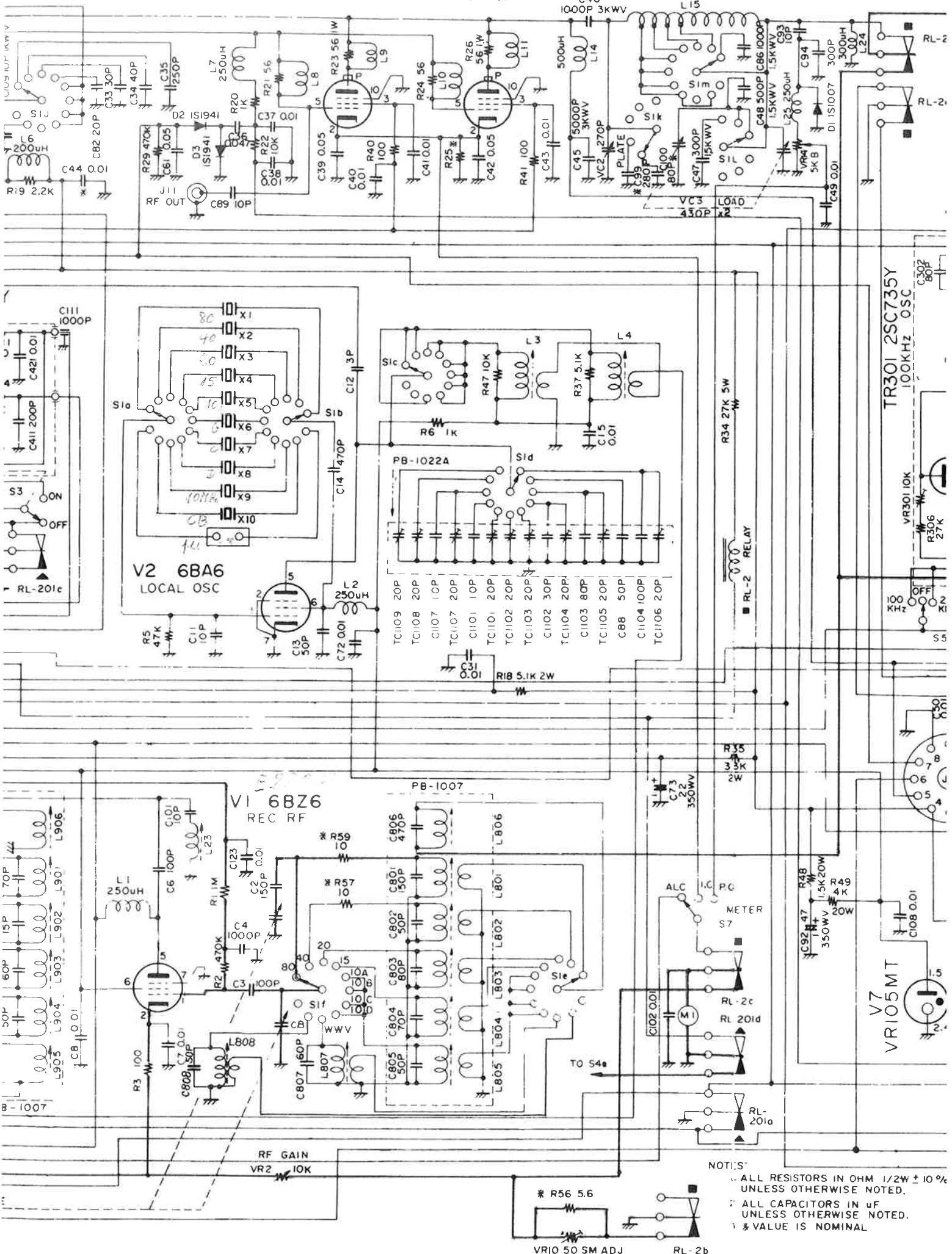
V203 6BE6 REC 2ND MIX



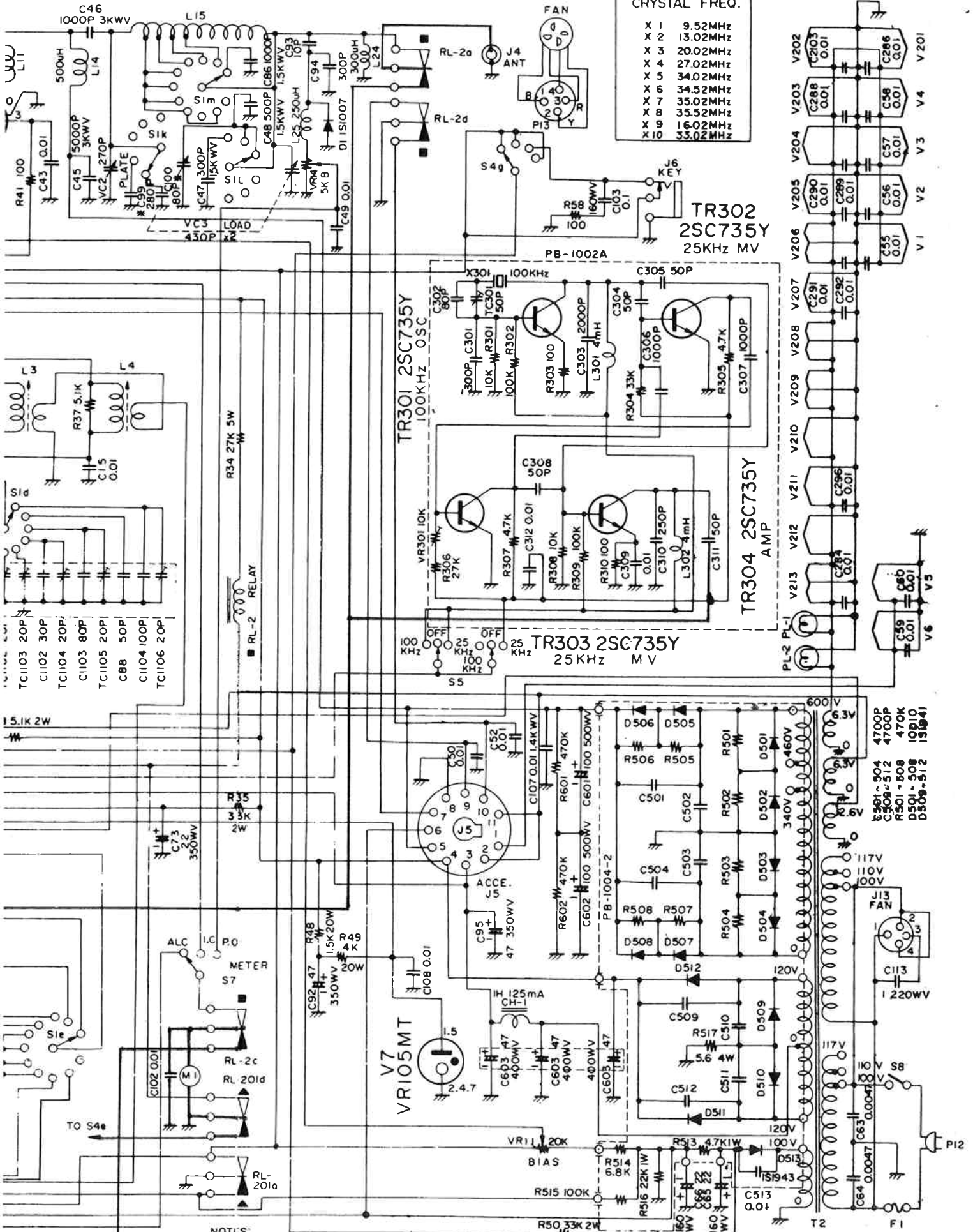
V202 6CB6 REC 1ST MIX



V5 6KD6 P A V6 6KD6 P A



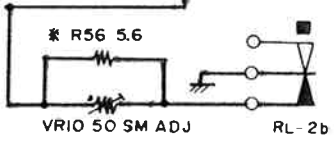
- NOTES:
- 1. ALL RESISTORS IN OHM 1/2W ± 10% UNLESS OTHERWISE NOTED.
 - 2. ALL CAPACITORS IN uF UNLESS OTHERWISE NOTED.
 - 3. * VALUE IS NOMINAL



LOCAL OSC
CRYSTAL FREQ.

X 1	9.52MHz
X 2	13.02MHz
X 3	20.02MHz
X 4	27.02MHz
X 5	34.02MHz
X 6	34.52MHz
X 7	35.02MHz
X 8	35.52MHz
X 9	16.02MHz
X 10	33.02MHz

- NOTES:
1. ALL RESISTORS IN OHM 1/2W ± 10% UNLESS OTHERWISE NOTED.
 2. ALL CAPACITORS IN μF UNLESS OTHERWISE NOTED.
 3. * VALUE IS NOMINAL



- C501-504 4700P
- C505-512 4700P
- R501-508 470K
- D501-508 10P10
- D509-512 1S1041

